



Ferrites and accessories

P 14 x 8, core and accessories

Series/Type: B65541, B65542, B65545, B65549

Date: September 2011

Core

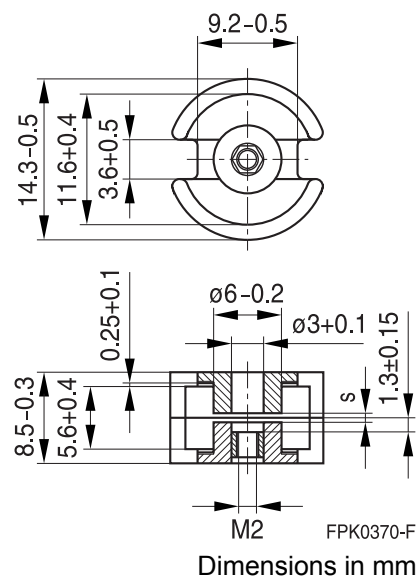
- Standard: to IEC 60133
- Delivery mode: sets

Magnetic characteristics

	with center hole	without center hole	
$\Sigma I/A$	0.8	0.73	mm^{-1}
I_e	20	21	mm
A_e	25	28.7	mm^2
A_{\min}	20	23.6	mm^2
V_e	500	163	mm^3

Approx. weight (per set)

	with center hole	without center hole	
m	3.2	3.5	g


Gapped

Material	AL value nH	s approx mm	μ_e	Ordering code ¹ - D with center hole - T with threaded sleeve
M33	100 ±3%	0.3	64	B65541+0100A033
N48	100 ±3%	0.16	102	B65541+0160A048
	160 ±3%	0.10	159	B65541+0250A048
	200 ±3%	0.08	201	B65541+0315A048
	250 ±3%	0.05	255	B65541+0400A048

Ungapped

Material	AL value nH	μ_e	P_V W/set	Ordering code - D with center hole - T with threaded sleeve
K1	140 +30/-20%	98		B65541D0000R001
M33	770 +30/-20%	618		B65541D0000R033
N48	2100 +30/-20%	1340		B65541D0000R048
N30	4600 +30/-30%	2680		B65541W0000Y030
T38	9800 +40/-30%	5710		B65541W0000Y038
N87	2800 +30/-30%	1630	< 0.26 (200 mT, 100 kHz, +100 °C)	B65541W0000Y087
N41	3300 +30/-20%	1920	< 0.09 (200 mT, 25 kHz, +100 °C)	B65541W0000R041

¹ Replace + by D or T for required version

Coil former

Standard: to IEC 60133

Material: GFR polyterephthalate (UL 94 V-0, insulation class to IEC 60085:
 $F \cong$ max. operating temperature +155 °C), color code black,
 B65542B000T001: Crastin CE 7931® [E41938 (M)],
 E I DUPONT DE NEMOURS & CO INC

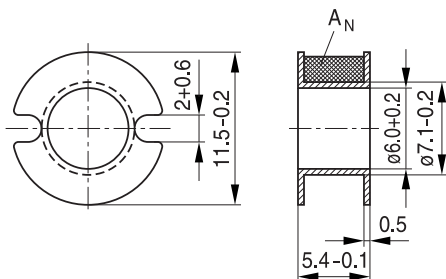
Winding: see Data Book 2007, chapter "Processing notes"

Insulating washer between core and coil former

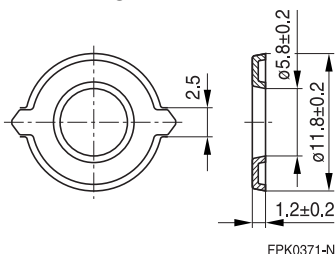
- For tolerance compensation and for insulation
- Polyarylate spring washer (UL 94 V-0, insulation class to IEC 60085: $E \cong$ +120 °C),
 0.08 mm thick,
 Aryphan F685, [E167358 (M)], natural color, LOFO HIGH TECH FILM GMBH

Coil former				Ordering code
Sections	A_N mm ²	I_N mm	A_R value $\mu\Omega$	
1	8.4	28	115	B65542B0000T001
Insulating washer (reel packing, packing unit = 1 reel)				B65542A5000X000

Coil former:



Insulating washer:



Mounting assembly for printed circuit boards

- The set comprises a terminal carrier and a yoke
- For snap-in connection

Terminal carrier

Material: GFR polyterephthalate (UL 94 V-0, insulation class to IEC 60085:
 $F \cong$ max. operating temperature $+155\text{ }^{\circ}\text{C}$), color code gray,
 Pocan B4235® [E245249 (M)], LANXESS AG

Solderability: to IEC 60068-2-20, test Ta, method 1 (aging 3): $+235\text{ }^{\circ}\text{C}$, 2 s;

Resistance to soldering heat: to IEC 60068-2-20, test Tb, method 1B: $+350\text{ }^{\circ}\text{C}$, 3.5 s

Yoke

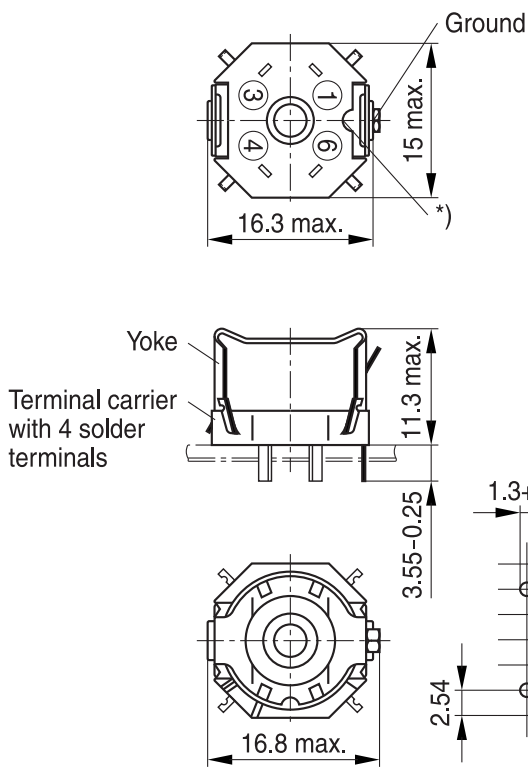
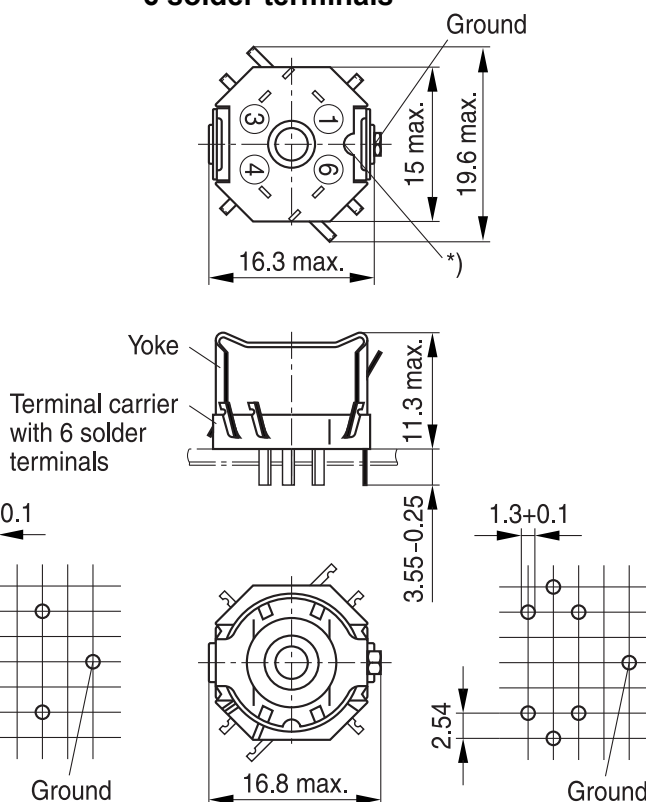
Spring yoke, made of tinned nickel silver (0.25 mm), with ground terminal

Complete mounting assembly
 (4 solder terminals)

Ordering code: B65545B0009X000

Complete mounting assembly
 (6 solder terminals)

Ordering code: B65545B0010X000

4 solder terminals

6 solder terminals


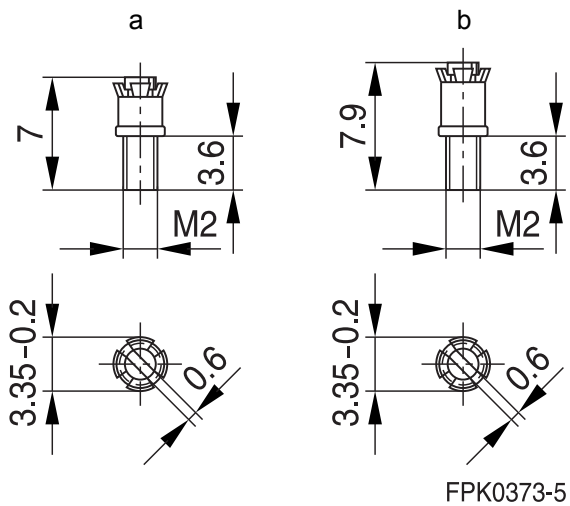
*) This recess must be on the side of the grounding pin to ensure that the yoke locks in position.

FPK0372-W-E

Adjusting screw

- Tube core with thread and core brake made of GFR polyterephthalate
Pocan B3235® [E245249 (M)], LANXESS AG

Figure	Tube core			Ordering code
	Ø x length (mm)	Material	Color code	
a	2.6 x 2.0	N22	white	B65549E0003X023
b	2.76 x 2.9	N22	black	B65549E0004X023



Mechanical stress and mounting

Ferrite cores have to meet mechanical requirements during assembly and for a growing number of applications. Since ferrites are ceramic materials one has to be aware of their special behavior under mechanical load.

Just like any ceramic material, ferrite cores are brittle and sensitive to any shock, fast changing or tensile load. Especially fast cooling rates under ultrasonic cleaning, high static and cyclic loads can cause cracks or failure of the ferrite cores.

For detailed information see Data Book 2007, chapter “General – Definitions, 8.1”.

Effects of core combination on AL value

Stresses in the core affect not only the mechanical but also the magnetic properties. It is apparent that the initial permeability is dependent on the stress state of the core. The higher the stresses are in the core, the lower the value for the initial permeability. Thus, the embedding medium should offer the greatest possible elasticity.

For detailed information see Data Book 2007, chapter “General – Definitions, 8.2”.

Heating up

Ferrites can run hot during operation at higher flux densities and higher frequencies.

NiZn-materials

The magnetic properties of NiZn-materials can change irreversibly when exposed to strong magnetic fields.

Processing notes

The start of the winding process should be soft. Otherwise, the flanges may be destroyed.

Excessive winding forces may damage the flanges or squeeze the tube so that the cores can no longer be mounted.

Excessive soldering time at high temperature (>300 °C) may affect coplanarity or pin arrangement.

Not following the processing notes for soldering of the J-leg terminals may cause solderability problems at the transformer because of contamination with tin oxide (SnO) from the tin bath or burned insulation from the wire. For detailed information see Data Book 2007, chapter “Processing notes, 2.2”.

The dimensions of the pin hole arrangement are fixed and should be understood as an ideal recommendation for drilling the printed circuit board. In order to avoid problems when mounting the transformer, customers should make allowances for manufacturing tolerances in the drilling and pick-and-place processes by increasing the diameter of the pin holes

Important notes

The following applies to all products named in this publication:

1. Some parts of this publication contain **statements about the suitability of our products for certain areas of application**. These statements are based on our knowledge of typical requirements that are often placed on our products in the areas of application concerned. We nevertheless expressly point out **that such statements cannot be regarded as binding statements about the suitability of our products for a particular customer application**. As a rule, EPCOS is either unfamiliar with individual customer applications or less familiar with them than the customers themselves. For these reasons, it is always ultimately incumbent on the customer to check and decide whether an EPCOS product with the properties described in the product specification is suitable for use in a particular customer application.
2. We also point out that **in individual cases, a malfunction of electronic components or failure before the end of their usual service life cannot be completely ruled out in the current state of the art, even if they are operated as specified**. In customer applications requiring a very high level of operational safety and especially in customer applications in which the malfunction or failure of an electronic component could endanger human life or health (e.g. in accident prevention or life-saving systems), it must therefore be ensured by means of suitable design of the customer application or other action taken by the customer (e.g. installation of protective circuitry or redundancy) that no injury or damage is sustained by third parties in the event of malfunction or failure of an electronic component.
3. **The warnings, cautions and product-specific notes must be observed.**
4. In order to satisfy certain technical requirements, **some of the products described in this publication may contain substances subject to restrictions in certain jurisdictions (e.g. because they are classed as hazardous)**. Useful information on this will be found in our Material Data Sheets on the Internet (www.epcos.com/material). Should you have any more detailed questions, please contact our sales offices.
5. We constantly strive to improve our products. Consequently, **the products described in this publication may change from time to time**. The same is true of the corresponding product specifications. Please check therefore to what extent product descriptions and specifications contained in this publication are still applicable before or when you place an order. We also **reserve the right to discontinue production and delivery of products**. Consequently, we cannot guarantee that all products named in this publication will always be available. The aforementioned does not apply in the case of individual agreements deviating from the foregoing for customer-specific products.
6. Unless otherwise agreed in individual contracts, **all orders are subject to the current version of the "General Terms of Delivery for Products and Services in the Electrical Industry" published by the German Electrical and Electronics Industry Association (ZVEI)**.
7. The trade names EPCOS, BAOKE, Alu-X, CeraDiode, CSMP, CSSP, CTVS, DeltaCap, DigiSiMic, DSSP, FormFit, MiniBlue, MiniCell, MKD, MKK, MLSC, MotorCap, PCC, PhaseCap, PhaseCube, PhaseMod, PhiCap, SIFERRIT, SIFI, SIKOREL, SilverCap, SIMDAD, SiMic, SIMID, SineFormer, SIOV, SIP5D, SIP5K, ThermoFuse, WindCap are **trademarks registered or pending** in Europe and in other countries. Further information will be found on the Internet at www.epcos.com/trademarks.

Mouser Electronics

Authorized Distributor

Click to View Pricing, Inventory, Delivery & Lifecycle Information:

EPCOS:

[B65541D0000R048](#) [B65541D0000R001](#) [B65541D0000R030](#) [B65541D0000R033](#) [B65541D0000Y038](#)
[B65541D0100A033](#) [B65541D0100A041](#) [B65541D0160A033](#) [B65541D0160A048](#) [B65541D0250A048](#)
[B65541D0400A048](#) [B65541T0040A033](#) [B65541T0100A033](#) [B65541T0250A048](#) [B65541T0315A048](#)
[B65541T0400A048](#) [B65541W0000R030](#) [B65541W0000R087](#) [B65541W0000Y038](#) [B65542A5000X000](#)
[B65545B0009X000](#) [B65545B0010X000](#) [B65549E0004X023](#)



Стандарт Электрон Связь

Мы молодая и активно развивающаяся компания в области поставок электронных компонентов. Мы поставляем электронные компоненты отечественного и импортного производства напрямую от производителей и с крупнейших складов мира.

Благодаря сотрудничеству с мировыми поставщиками мы осуществляем комплексные и плановые поставки широчайшего спектра электронных компонентов.

Собственная эффективная логистика и склад в обеспечивает надежную поставку продукции в точно указанные сроки по всей России.

Мы осуществляем техническую поддержку нашим клиентам и предпродажную проверку качества продукции. На все поставляемые продукты мы предоставляем гарантию .

Осуществляем поставки продукции под контролем ВП МО РФ на предприятия военно-промышленного комплекса России , а также работаем в рамках 275 ФЗ с открытием отдельных счетов в уполномоченном банке. Система менеджмента качества компании соответствует требованиям ГОСТ ISO 9001.

Минимальные сроки поставки, гибкие цены, неограниченный ассортимент и индивидуальный подход к клиентам являются основой для выстраивания долгосрочного и эффективного сотрудничества с предприятиями радиоэлектронной промышленности, предприятиями ВПК и научно-исследовательскими институтами России.

С нами вы становитесь еще успешнее!

Наши контакты:

Телефон: +7 812 627 14 35

Электронная почта: sales@st-electron.ru

Адрес: 198099, Санкт-Петербург,
Промышленная ул, дом № 19, литера Н,
помещение 100-Н Офис 331