

4-Lane DisplayPort™ Rev 1.1a Compliant Switch with Triple Control Logic for Fast Switching

Features

- 4-lane, 1:2 mux/demux that will support 2.7Gbps or 1.62Gbps DP rev 1.1a signals
- 1-channel 1:2 mux/demux for DP_HPDP signal
- 1-differential channel 1:2 mux/demux for DP_Aux signal
- Insertion Loss for high speed channels @ 2.7 Gbps: -1.5dB
- -3dB Bandwidth for high speed channels of 3.25 Ghz
- Low Bit-to-Bit Skew , 7ps max (between '+' and '-' bits)
- Low Crosstalk for high speed channels: -33dB@2.7 Gbps
- Low Off Isolation for high speed channels: -26dB@2.7 Gbps
- V_{DD} Operating Range: 3.3V ±10%
- ESD Tolerance: +/-8kV contact on Ports A and B per IEC61000-4-2 Specification
- Low channel-to-channel skew, 35ps max
- Packaging (Pb-free & Green):
 - -56 TQFN (ZFE)
 - -42 TQFN (ZHE)

Description

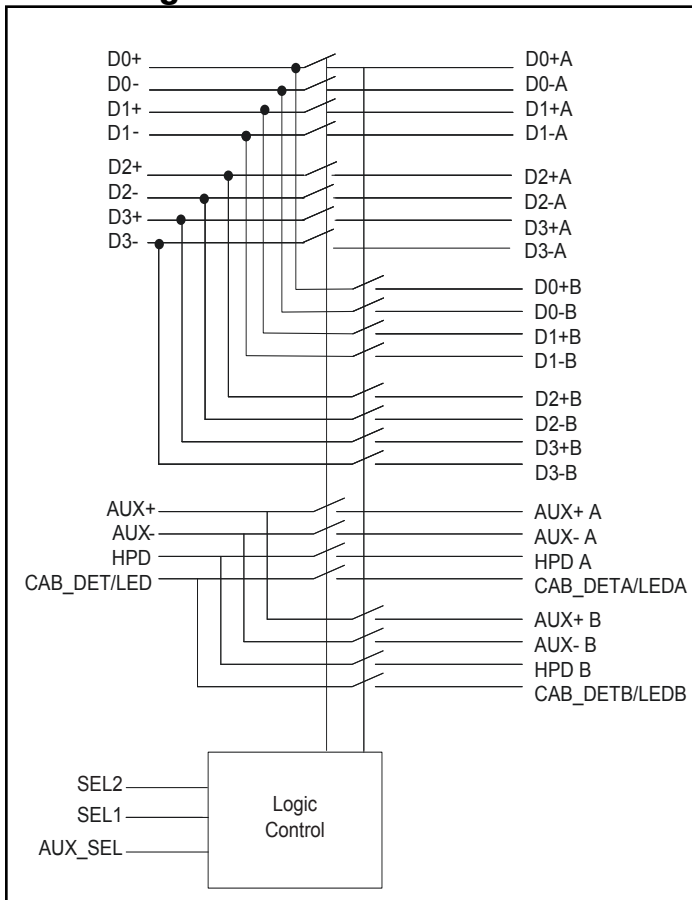
Pericom Semiconductor's PI3VDP612-A mux/demux is targeted for next generation digital video signals. This device can be used to connect a DisplayPort™ Source to two Independent DisplayPort Sinks or to connect two DisplayPort sources to a single DP display.

The newly released DisplayPort spec requires a data rate of 2.7 Gbps with AC coupled I/Os. Pericom's solution has been specifically designed around this standard and will support such signals.

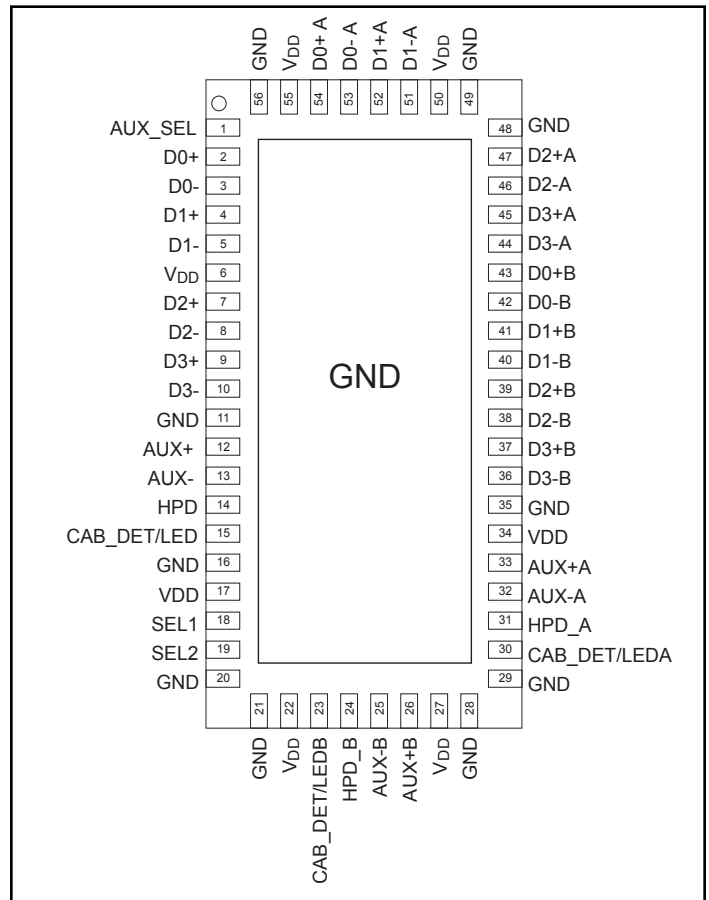
Application

Routing of DisplayPort signals with low signal attenuation between source and sink.

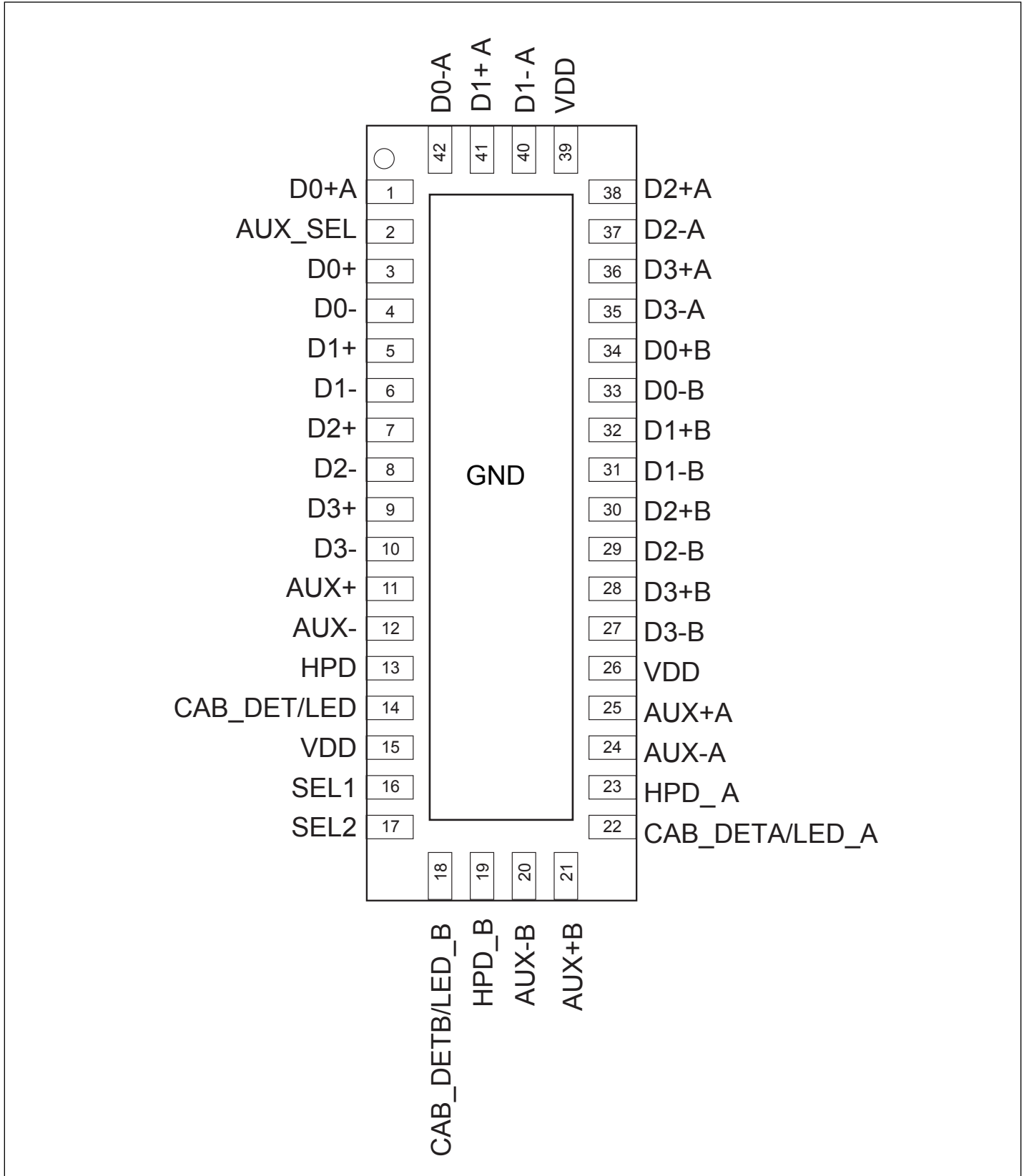
Block Diagram



Pin Description - 56-Pin



Pin Description - 42-Pin



Pin Description

42-Package Pin #	56-Package Pin #	Pin Name	Signal Type	Description	ESD
2	1	AUX_SEL	Input	Logic control for AUX signals: if LOW then AUX from COM port will connect to AUX from port A. If HIGH, then AUX from COM port will connect to AUX from port B.	
3	2	D0+	I/O	Positive Lane0 signal for common port	+/-7kV
4	3	D0-	I/O	Negative Lane0 signal for common port	+/-7kV
5	4	D1+	I/O	Positive Lane1 signal for common port	+/-7kV
6	5	D1-	I/O	Negative Lane1 signal for common port	+/-7kV
15, 26, 39	6, 17, 22, 27, 34, 50, 55	V _{DD}	Power	3.3V Power Supply	
7	7	D2+	I/O	Positive Lane2 signal for common port	+/-7kV
8	8	D2-	I/O	Negative Lane2 signal for common port	+/-7kV
9	9	D3+	I/O	Positive Lane3 signal for common port	+/-7kV
10	10	D3-	I/O	Negative Lane3 signal for common port	+/-7kV
*GND plate	11, 16, 20, 21, 28, 29, 35, 48, 49, 56	GND	Ground	Ground	
11	12	AUX+	I/O	Positive AUX signal for common port	+/-8kV
12	13	AUX-	I/O	Negative AUX signal for common port	+/-8kV
13	14	HPD	I/O	HPD for common port	+/-8kV
14	15	CAB_DET/LED	I/O	Common port pin for cable detect signal or LED common port	+/-8kV
16	18	SEL1	Input	Port Selection Control. If LOW, then port A is active. If HIGH, then port B is active	
17	19	SEL2	Input	Port Selection Control for HPD path and CAB_DET/LED path only: If LOW, then port A is active. If HIGH, then port B is active.	
	20	GND	Power	Ground	
	21	GND	Power	Ground	
	22	V _{DD}	Power	3.3V Power Supply	
18	23	CAB_DET _B /LED _B	I/O	Port B pin13 from dual mode DP connector or LED from port B	+/-8kV
19	24	HPD _B	I/O	HPD for port B	+/-8kV
20	25	AUX-B	I/O	Negative AUX signal for Port B	+/-8kV
21	26	AUX+B	I/O	Positive AUX signal for Port B	+/-8kV

(Continued)

Pin Description

42-Package Pin #	56-Package Pin #	Pin Name	Signal Type	Description	ESD
22	30	CAB_DETA/ LEDA	I/O	Port A cable detect from dual mode DP connector or LED from port A	+/-8kV
23	31	HPD_A	I/O	HPD for port A	+/-8kV
24	32	AUX-A	I/O	Negative AUX signal for Port A	+/-8kV
25	33	AUX+A	I/O	Positive AUX signal for Port A	+/-8kV
27	36	D3-B	I/O	Negative Lane3 signal for Port B	+/-8kV
28	37	D3+B	I/O	Positive Lane3 signal for Port B	+/-8kV
29	38	D2-B	I/O	Negative Lane2 signal for Port B	+/-8kV
30	39	D2+B	I/O	Positive Lane2 signal for Port B	+/-8kV
31	40	D1-B	I/O	Negative Lane1 signal for Port B	+/-8kV
32	41	D1+B	I/O	Positive Lane1 signal for Port B	+/-8kV
33	42	D0-B	I/O	Negative Lane0 signal for Port B	+/-8kV
34	43	D0+B	I/O	Positive Lane0 signal for Port B	+/-8kV
35	44	D3-A	I/O	Negative Lane3 signal for Port A	+/-8kV
36	45	D3+A	I/O	Positive Lane3 signal for Port A	+/-8kV
37	46	D2-A	I/O	Negative Lane2 signal for Port A	+/-8kV
38	47	D2+A	I/O	Positive Lane2 signal for Port A	+/-8kV
40	51	D1-A	I/O	Negative Lane1 signal for Port A	+/-8kV
41	52	D1+A	I/O	Positive Lane1 signal for Port A	+/-8kV
42	53	D0-A	I/O	Negative Lane0 signal for Port A	+/-8kV
1	54	D0+A	I/O	Positive Lane0 signal for Port A	+/-8kV

Truth Table (SEL control)

Function	SEL 1/SEL2/AUX_SEL
Port A is active	L
Port B is active	H

Notes:

SEL1 is only for DP lanes

SEL2 is only for HPD/CAB_DET signals

AUX_SEL is only for AUX path

Maximum Ratings

(Above which useful life may be impaired. For user guidelines, not tested.)

Storage Temperature	-65°C to +150°C
Supply Voltage to Ground Potential	-0.5V to +3.6V
DC Input Voltage	-0.7V to 3.6V
DC Output Current	120mA
Power Dissipation	0.5W

Note: Stresses greater than those listed under MAXIMUM RATINGS may cause permanent damage to the device. This is a stress rating only and functional operation of the device at these or any other conditions above those indicated in the operational sections of this specification is not implied. Exposure to absolute maximum rating conditions for extended periods may affect reliability.

DC Electrical Characteristics for Switching over Operating Range (T_A = -40°C to +85°C, V_{DD} = 3.3V ±10%)

Parameter	Description	Test Conditions ⁽¹⁾	Min	Typ ⁽¹⁾	Max	Units
V _{IH}	Input HIGH Voltage	Guaranteed HIGH level	1.6			V
V _{IL}	Input LOW Voltage	Guaranteed LOW level			0.75	
V _{IK}	Clamp Diode Voltage	V _{DD} = Max., I _{IN} = -18mA		-0.7	-1.2	
I _{IH}	Input HIGH Current	V _{DD} = Max., V _{IN} = V _{DD}			±5	µA
I _{IL}	Input LOW Current	V _{DD} = Max., V _{IN} = GND			±5	
I _{OFF}	I/O leakage when part is off	V _{DD} = 0V, V _{INPUT} = 0V to 3.6V			50	
R _{ON}	On resistance between input to output	V _{DD} = 3.0V, -0.6V < V _{INPUT} < 0.6V			7	Ohm
		V _{DD} = 3.0V, 1.0V < V _{INPUT} < 1.5V			10	Ohm

Power Supply Characteristics (T_A = 0°C to +70°C)

Parameter	Description	Test Conditions ⁽¹⁾	Min	Typ ⁽¹⁾	Max	Units
I _{CC}	Quiescent Power Supply Current	V _{DD} = Max., V _{IN} = GND or V _{DD}			70	µA

Dynamic Electrical Characteristics over Operating Range (T_A = -40°C to +85°C, V_{DD} = 3.3V ±10%, GND=0V)

Parameter	Description	Test Conditions	Typ. ⁽²⁾	Units
X _{TALK}	Crosstalk on High Speed Channels	See Fig. 1 for Measurement Setup	f = 1.35 GHz	-33dB
			f = 100 MHz	-48dB
O _{IRR}	OFF Isolation on High Speed Channels	See Fig. 2 for Measurement Setup,	f = 1.35 GHz	-33dB
			f = 100 MHz	-56dB
I _{LOSS}	Differential Insertion Loss on High Speed Channels	@2.7Gbps (see figure 3)	-1.5	dB
BW _{Dx±}	Bandwidth -3dB for Main high speed path (Dx±)	See figure 3	3.25	GHz
BW _{AUX/HPD}	-3dB BW for AUX and HPD signals	See figure 3	1.5	GHz

Notes:

- For Max. or Min. conditions, use appropriate value specified under Electrical Characteristics for the applicable device type.
- Typical values are at V_{DD} = 3.3V, T_A = 25°C ambient and maximum loading.

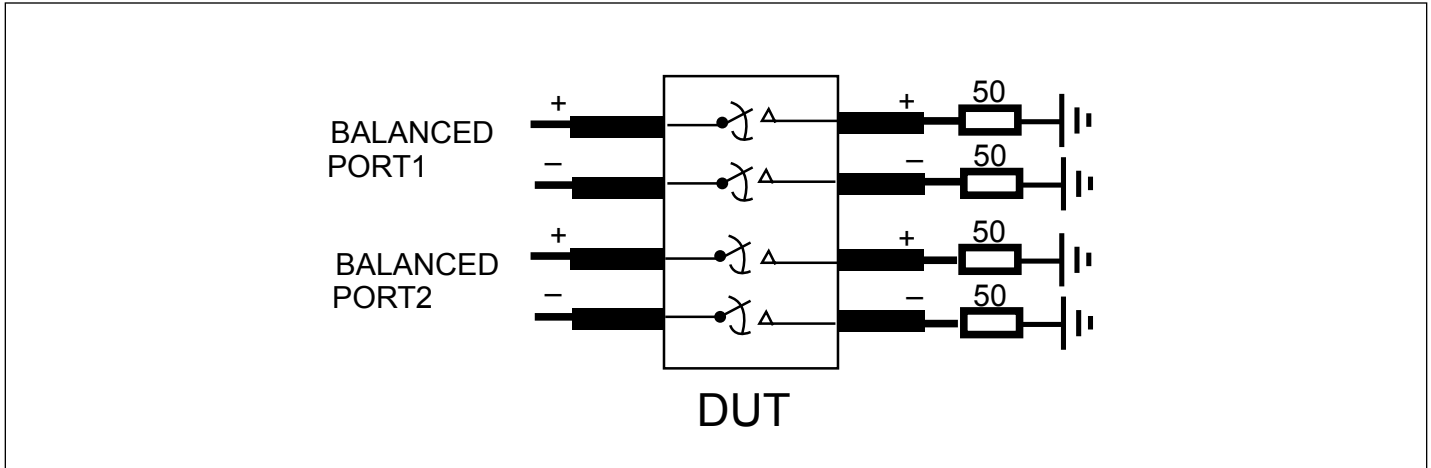


Fig 1. Crosstalk Setup

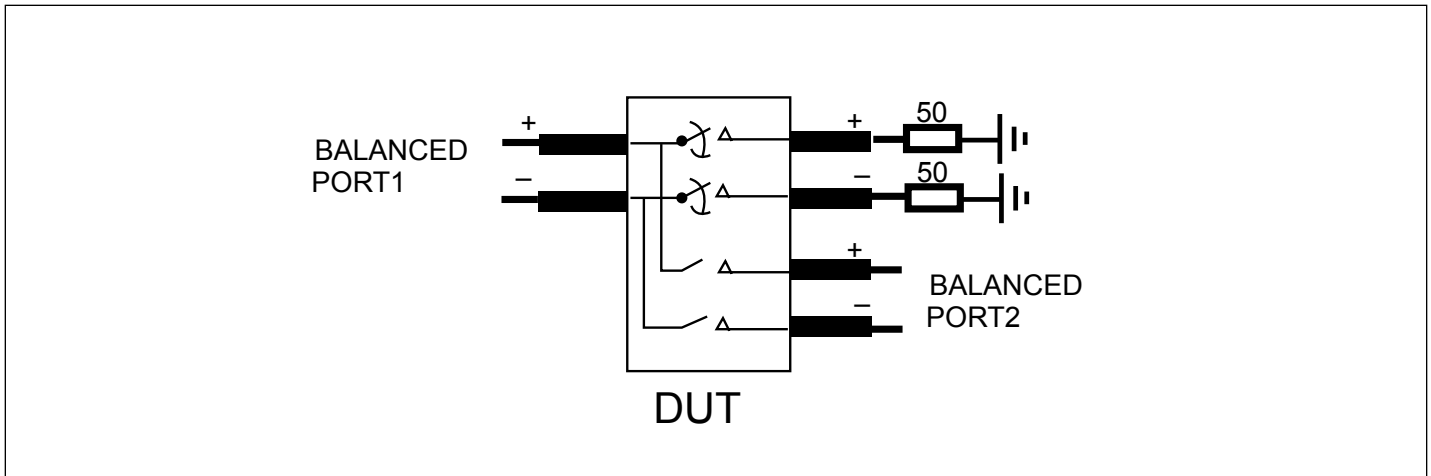


Fig 2. Off-isolation setup

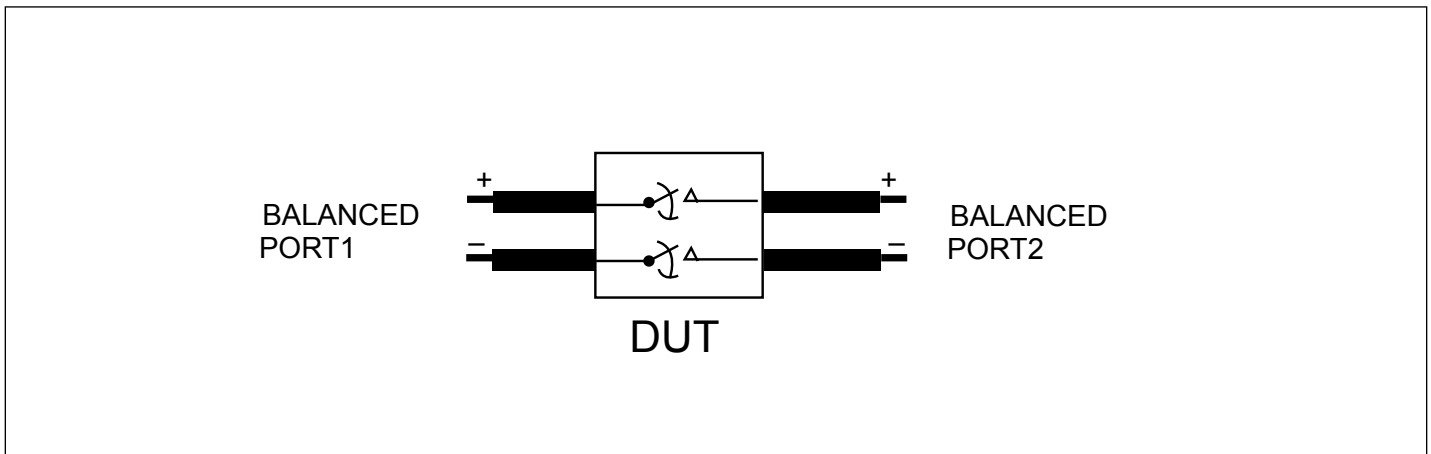


Fig 3. Differential Insertion Loss

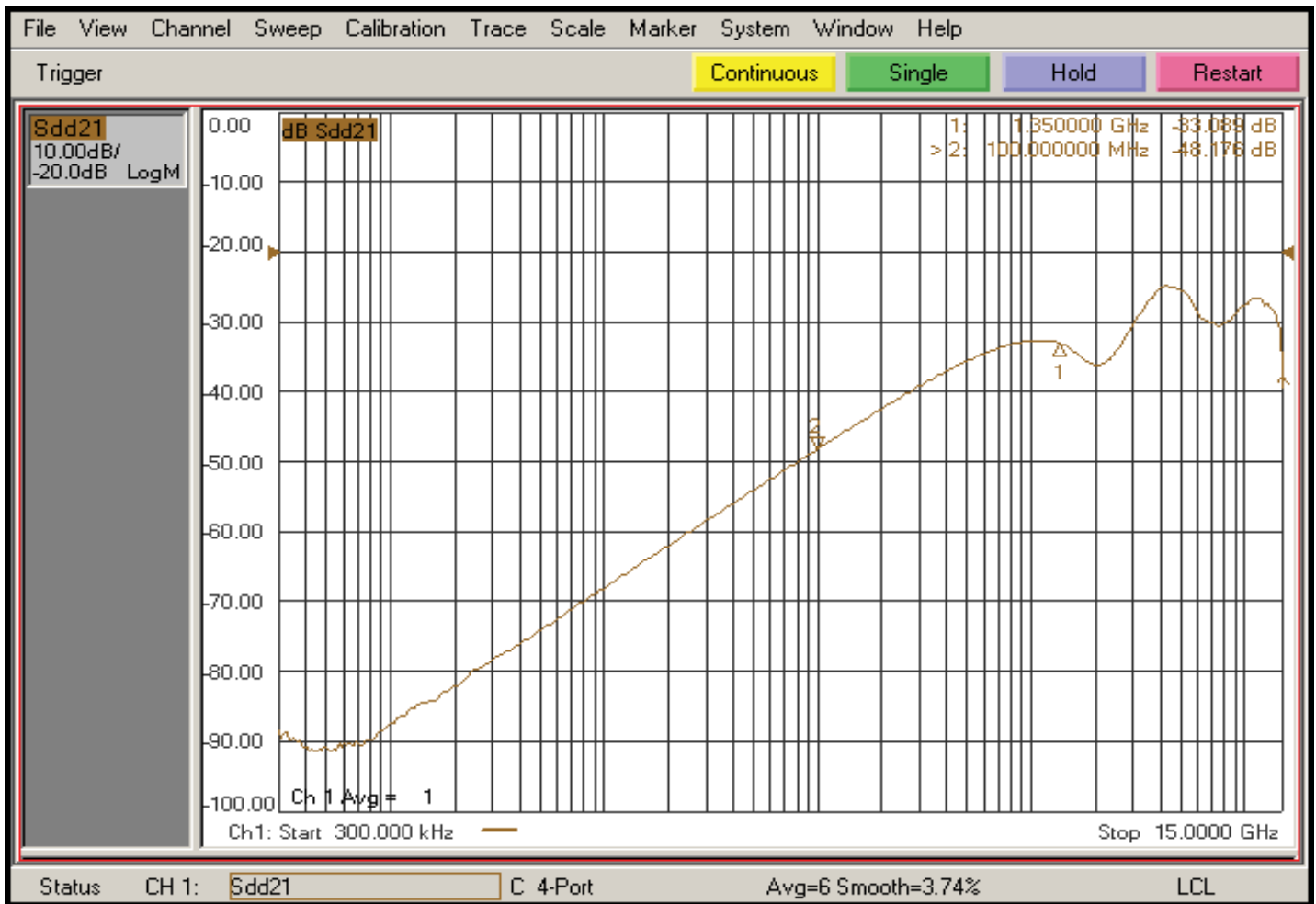


Fig 4. Xtalk

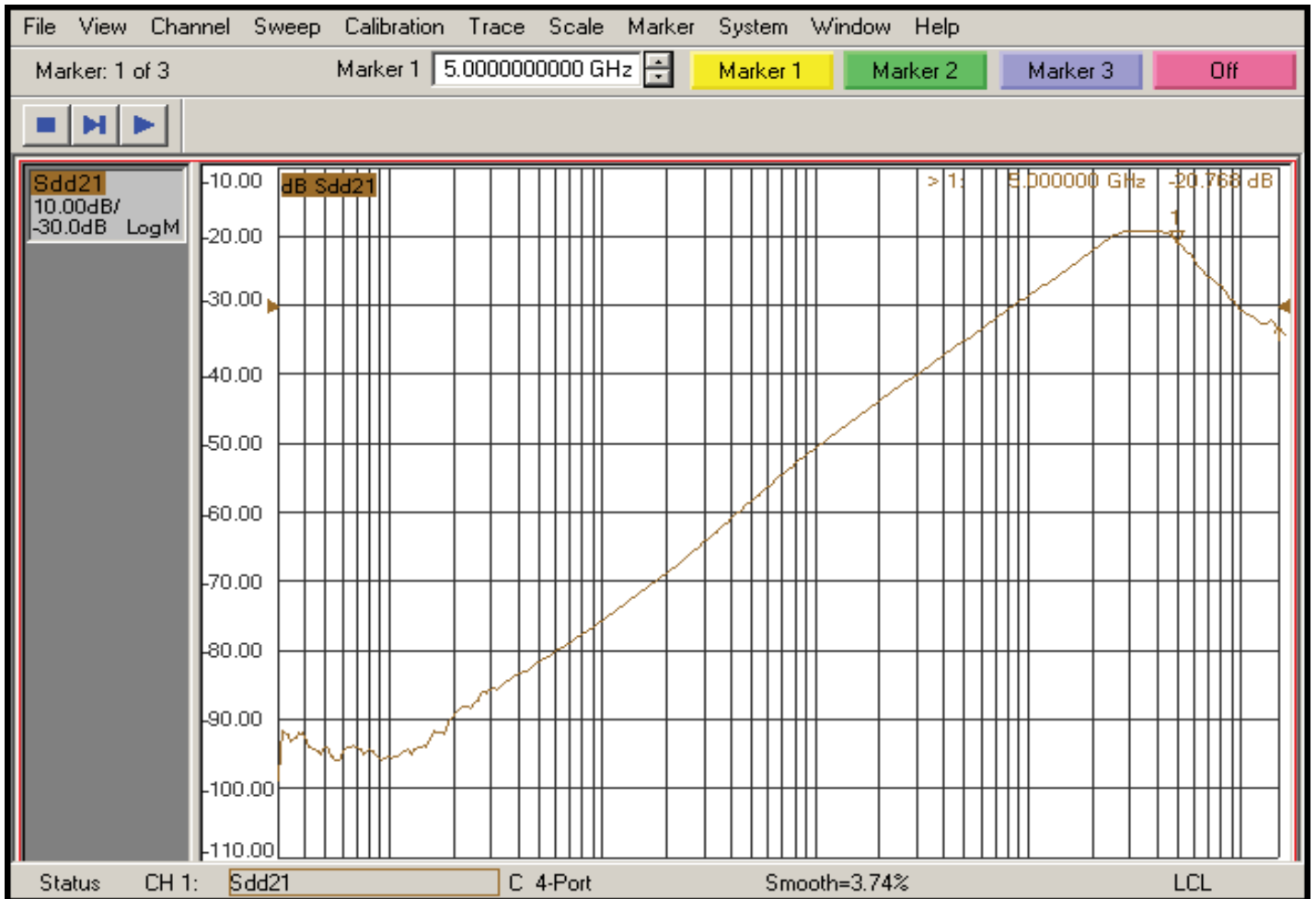


Fig 5. Off Isolation

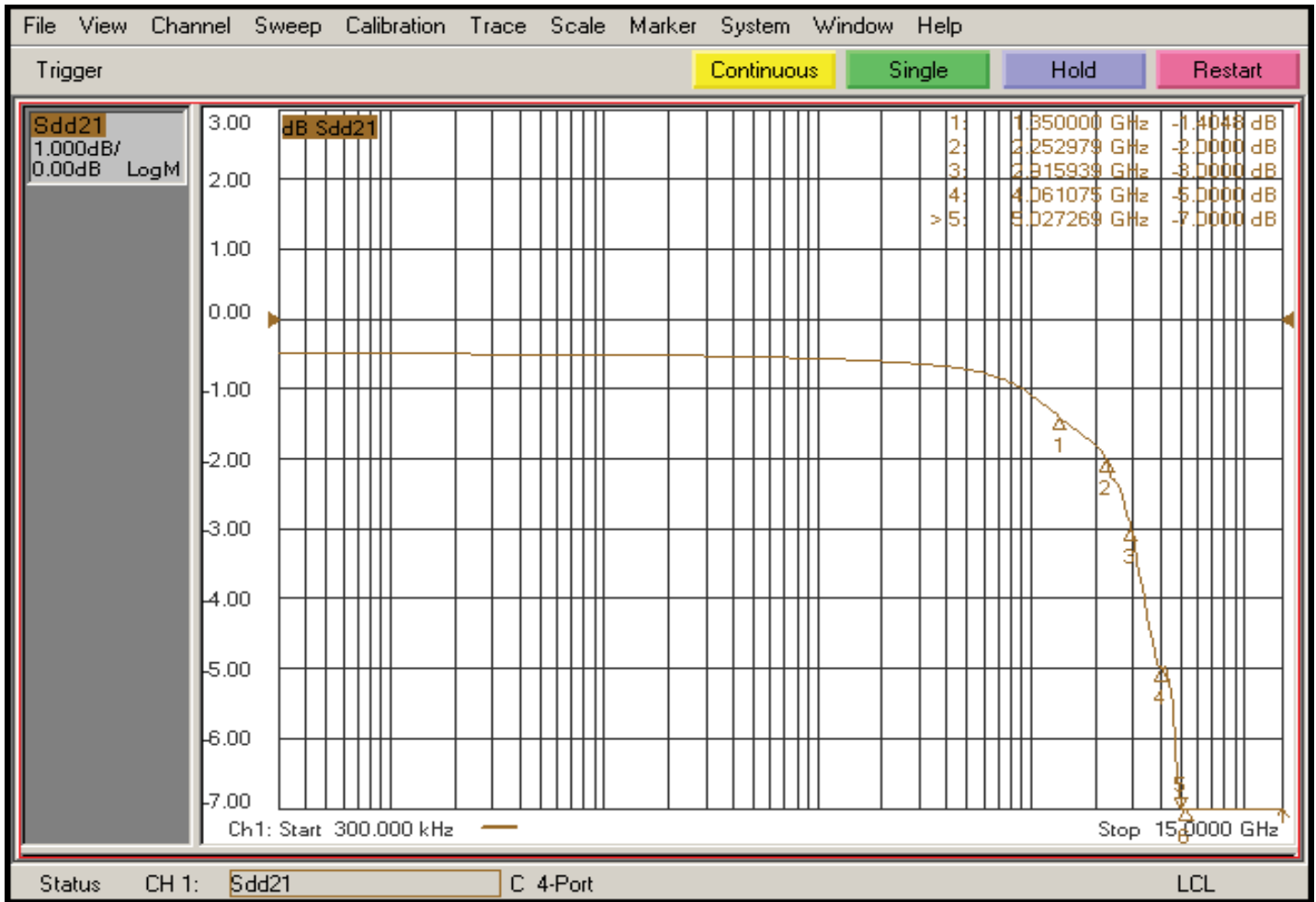


Fig 6. Insertion Loss

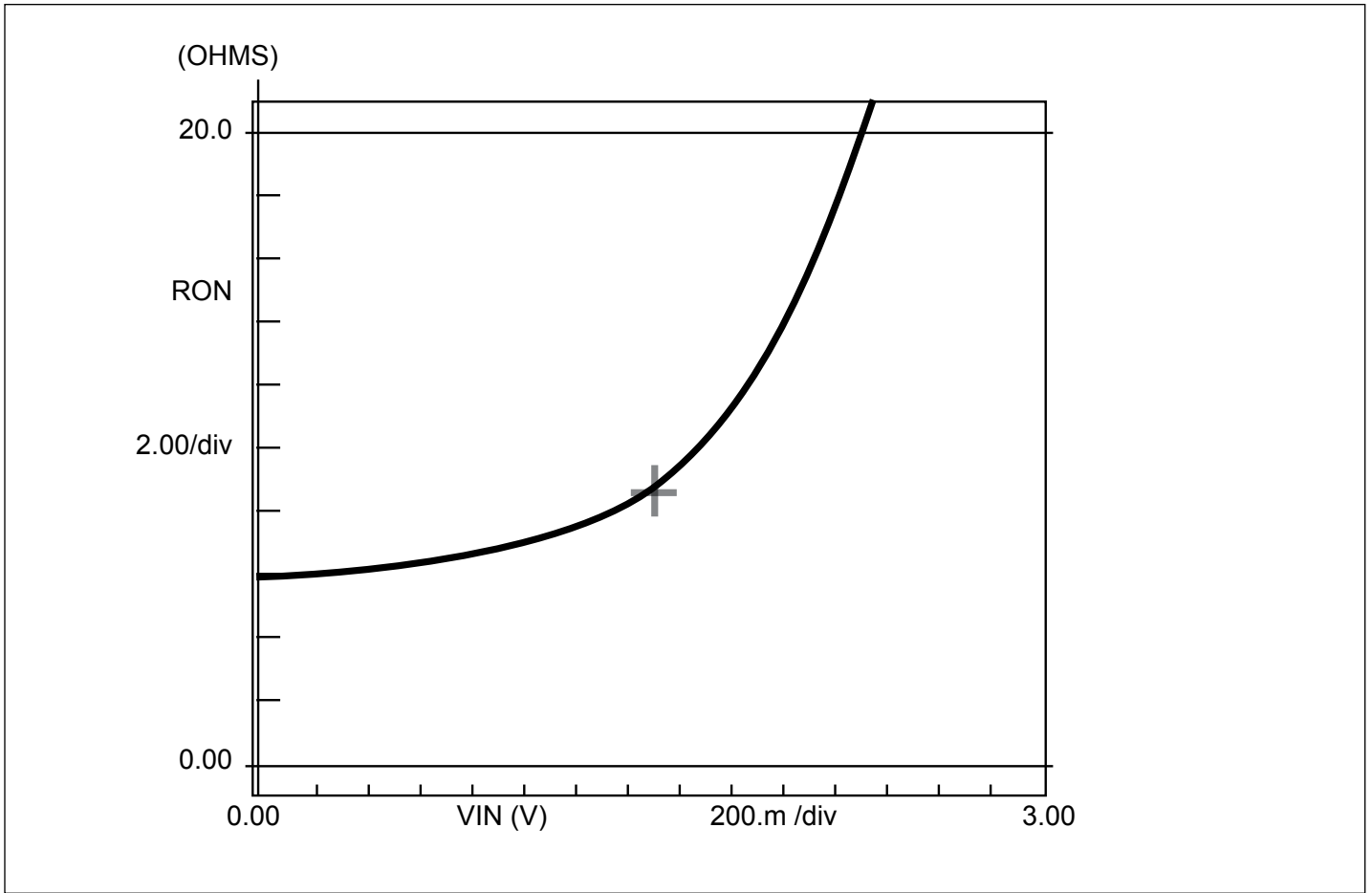
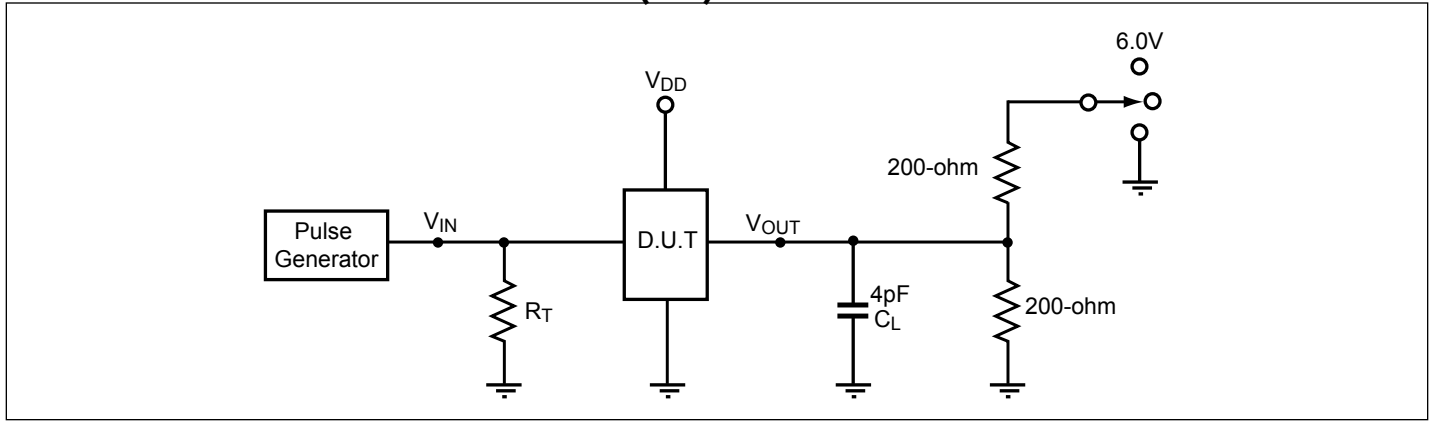


Fig 7. Ron Curve for High Speed Signal Path Only (Dx±)

Switching Characteristics ($T_A = -40^\circ$ to $+85^\circ\text{C}$, $V_{DD} = 3.3\text{V} \pm 10\%$)

Parameter	Description	Min.	Max.	Units
t_{PZH} , t_{PZL}	Line Enable Time	0.5	15.0	ns
t_{PHZ} , t_{PLZ}	Line Disable Time	0.5	15.0	
T_{pd}	Propagation delay (input pin to output pin)		200	ps
t_{b-b}	Bit-to-bit skew within the same differential pair		7	ps
t_{ch-ch}	Channel-to-channel skew		50	ps

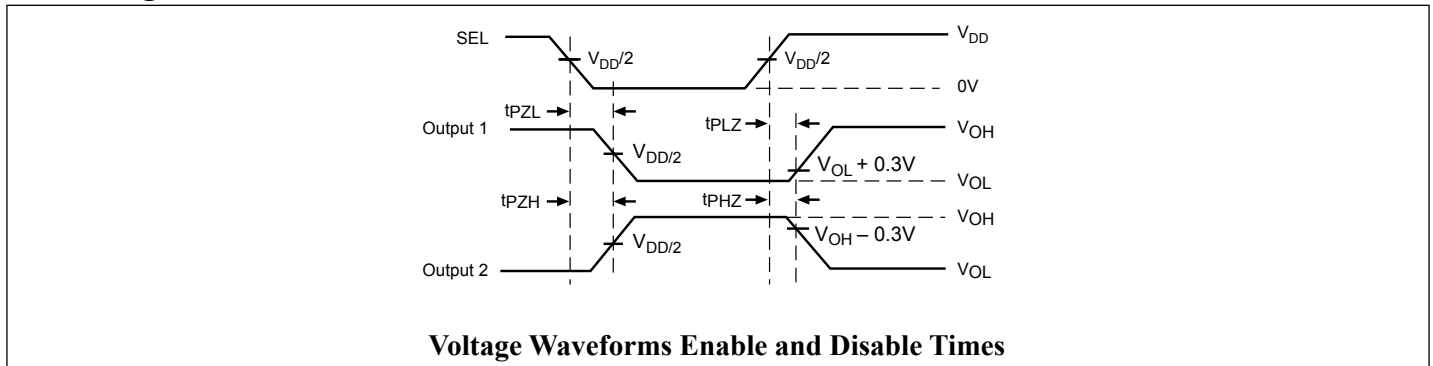
Test Circuit for Electrical Characteristics(1-5)



Notes:

- C_L = Load capacitance: includes jig and probe capacitance.
- R_T = Termination resistance: should be equal to Z_{OUT} of the Pulse Generator
- Output 1 is for an output with internal conditions such that the output is low except when disabled by the output control.
output 2 is for an output with internal conditions such that the output is high except when disabled by the output control.
- All input impulses are supplied by generators having the following characteristics: $PRR \leq \text{MHz}$, $Z_O = 50\Omega$, $t_R \leq 2.5\text{ns}$, $t_F \leq 2.5\text{ns}$.
- The outputs are measured one at a time with one transition per measurement.

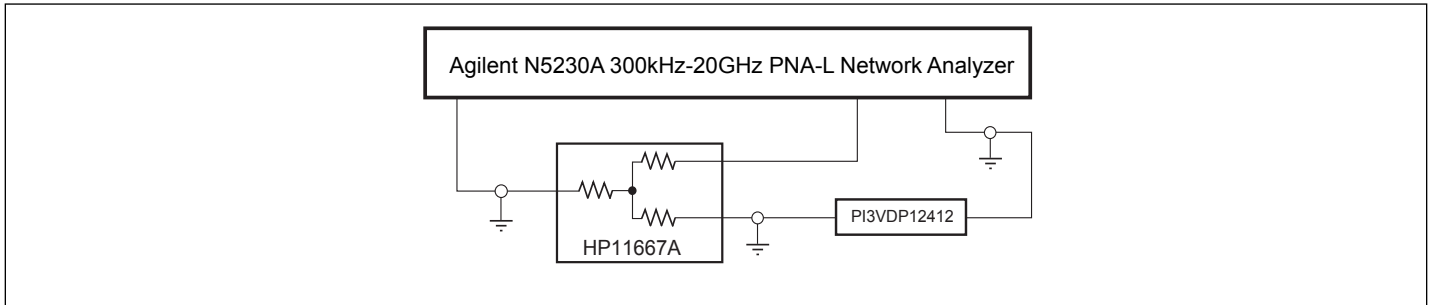
Switching Waveforms



Switch Positions

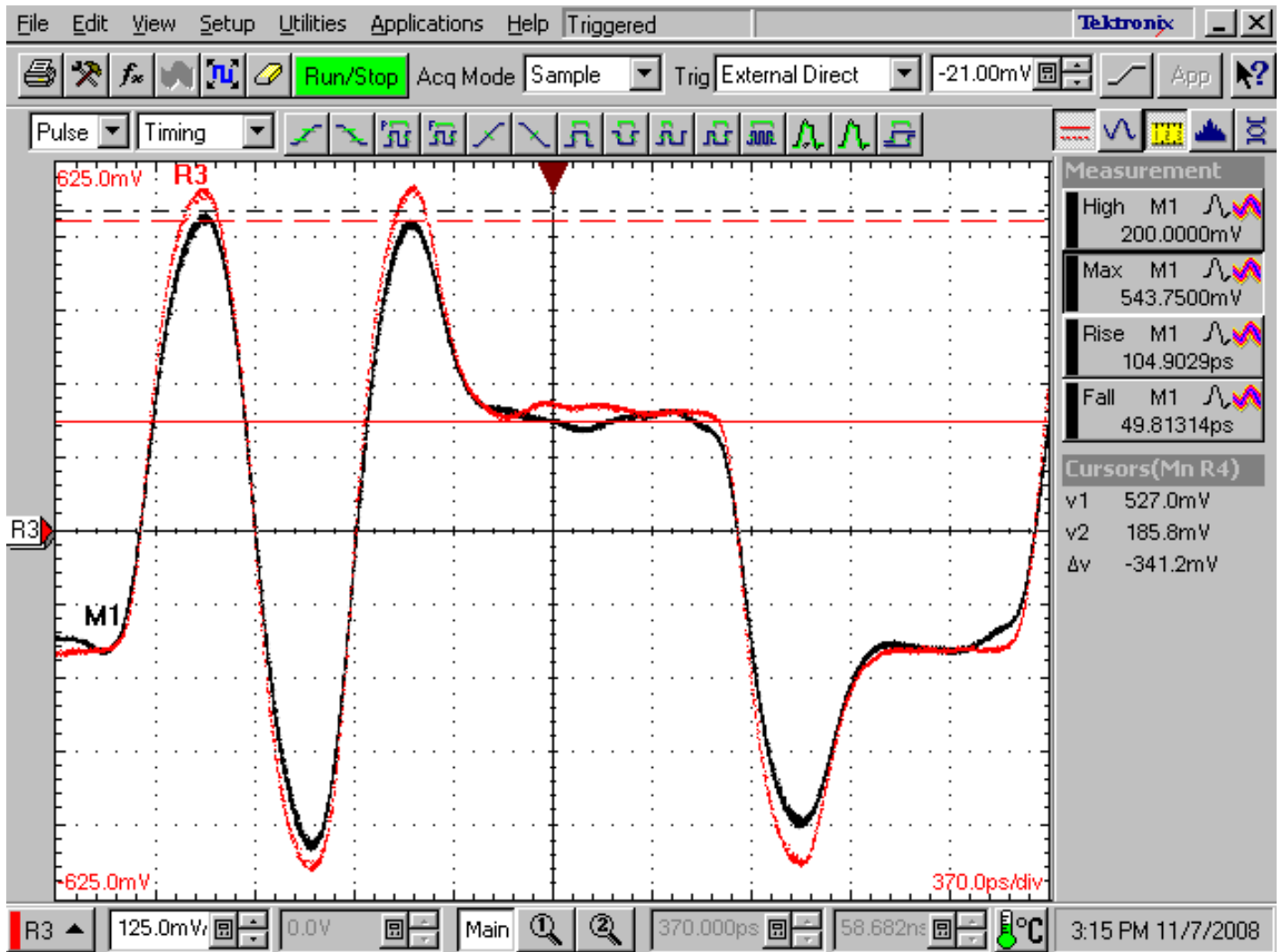
Test	Switch
t_{PLZ} , t_{PZL} (output on B-side)	6.0V
t_{PHZ} , t_{PZH} (output on B-side)	GND
Prop Delay	Open

Test Circuit for Dynamic Electrical Characteristics

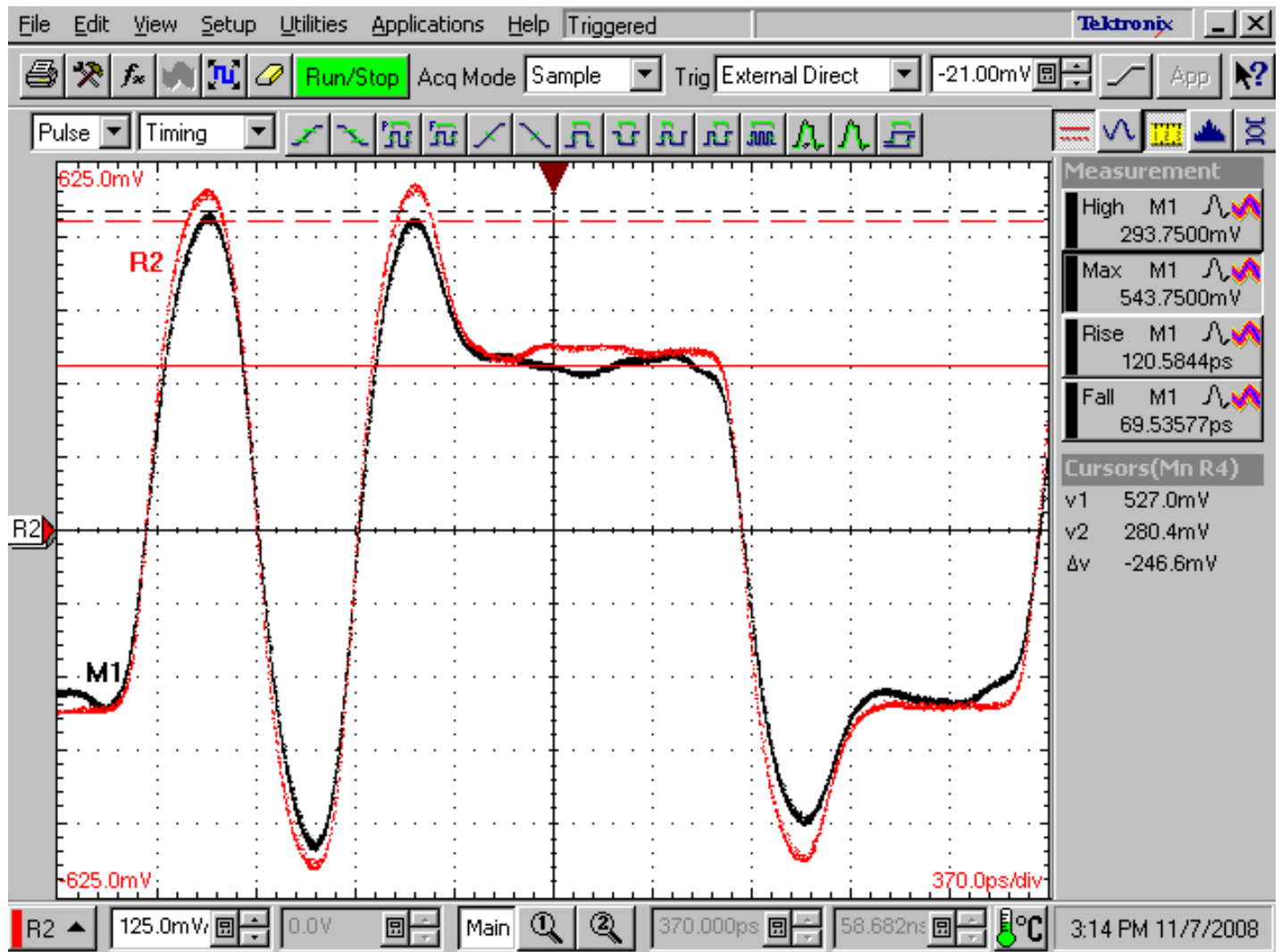


Application Section - Pre-Emphasis Waveforms

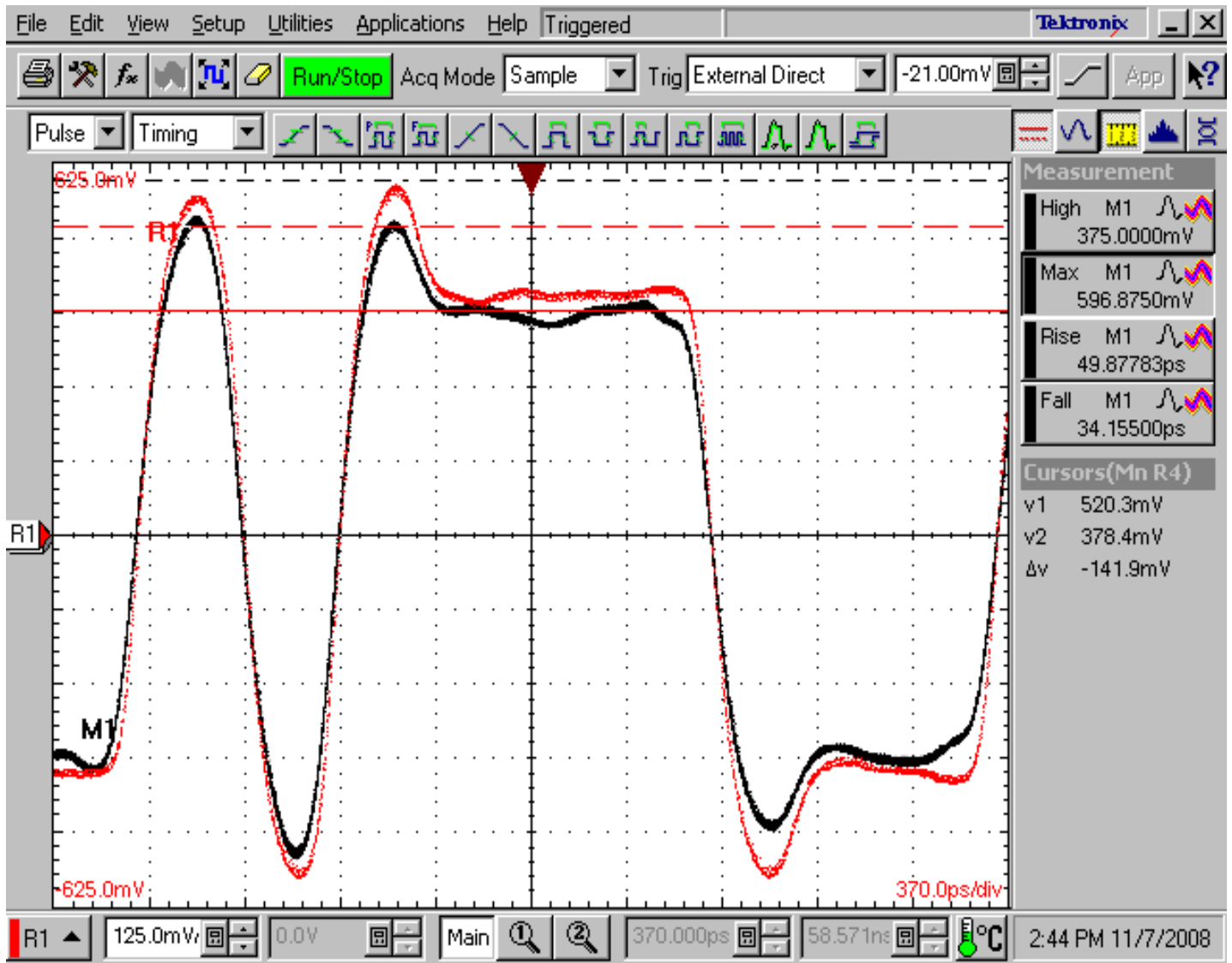
Input Pre-emphasis = 9.5dB; Red waveform is input of PI3VDP612-A & Black is output of PI3VDP612-A



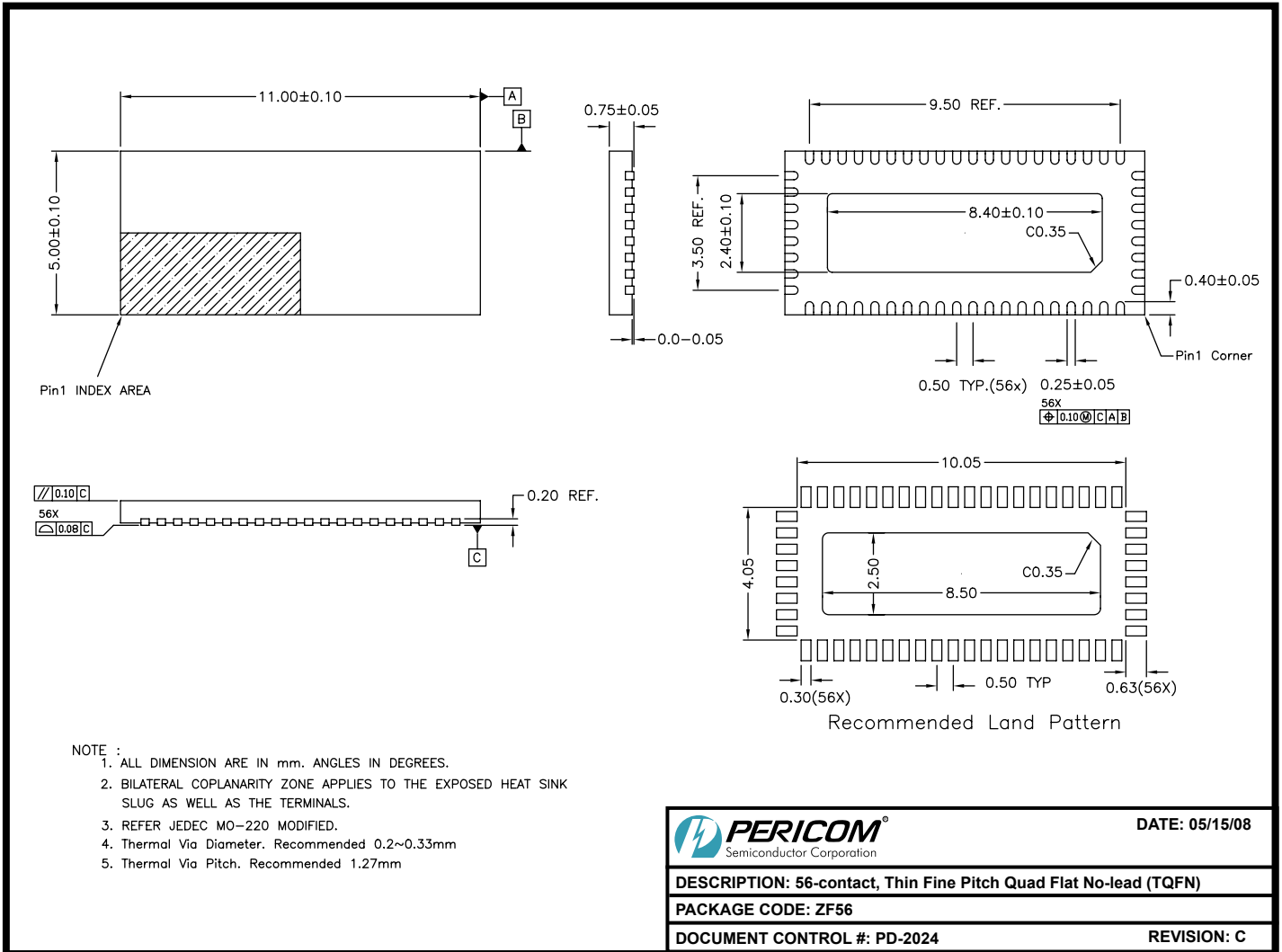
Input Pre-emphasis = 6dB; Red waveform is input of PI3VDP612-A and Black is output of PI3VDP612-A



Input Pre-emphasis = 3.5dB; Red waveform is input of PI3VDP612-A & Black is output of PI3VDP612-A



Packaging Mechanical: 56-Contact TQFN (ZF)

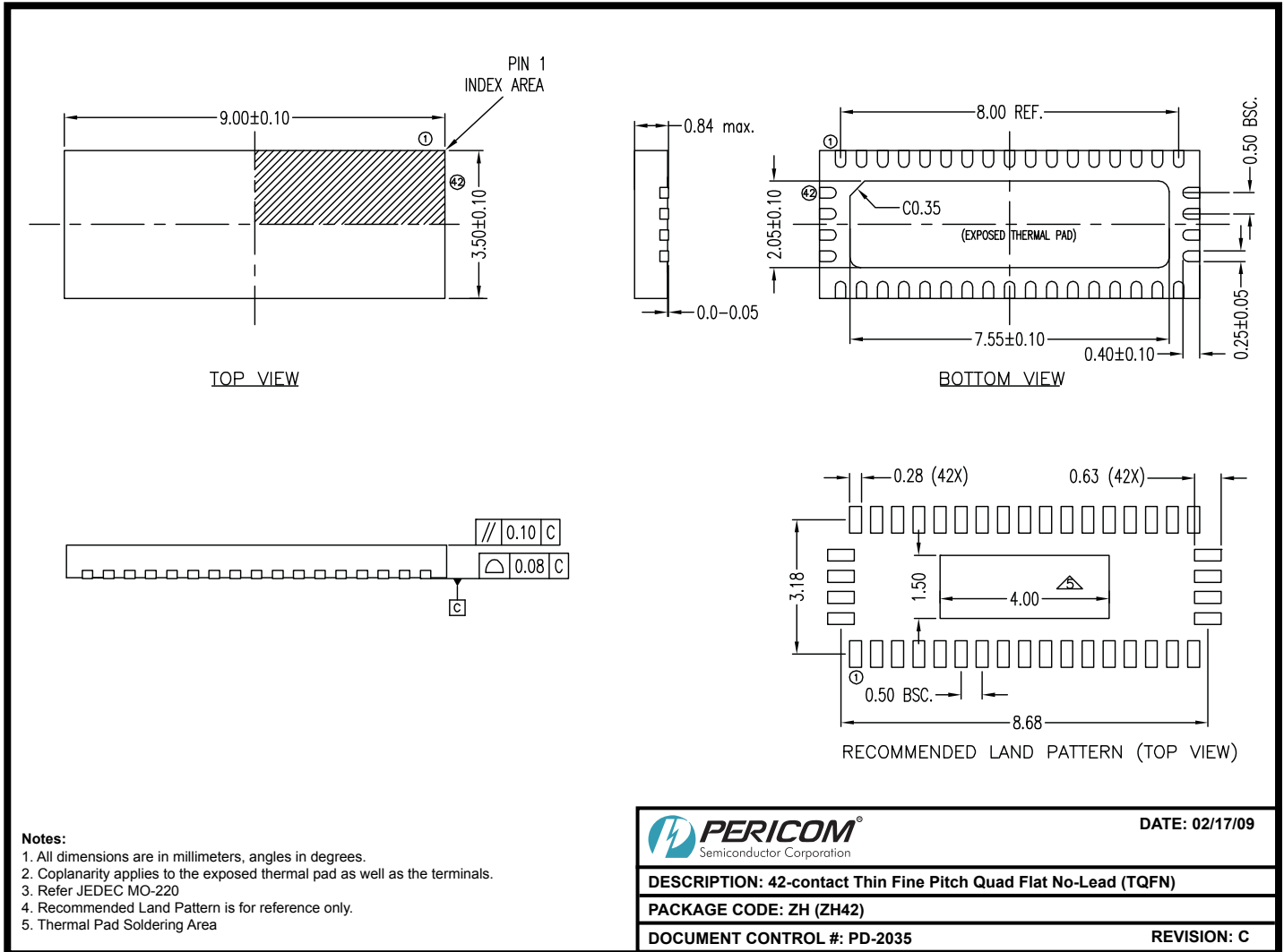


08-0208

Note:

- For latest package info, please check: <http://www.pericom.com/products/packaging/mechanicals.php>

Packaging Mechanical: 42-Pin TQFN (ZH)



09-0116

Note:

- For latest package info, please check: <http://www.pericom.com/products/packaging/mechanicals.php>

Ordering Information

Ordering Code	Package Code	Package Description
PI3VDP612-AZFE	ZF	Pb-free & Green, 56-contact TQFN
PI3VDP612-AZHE	ZH	Pb-free & Green, 42-contact TQFN

Notes:

- Thermal characteristics can be found on the company web site at www.pericom.com/packaging/
- "E" denotes Pb-free and Green
- Adding an "X" at the end of the ordering code denotes tape and reel packaging

Mouser Electronics

Authorized Distributor

Click to View Pricing, Inventory, Delivery & Lifecycle Information:

[Diodes Incorporated:](#)

[PI3VDP612-AZFEX](#) [PI3VDP612ZHEX](#) [PI3VDP612-AZHEX](#) [PI3VDP612ZHE](#) [PI3VDP612-AZFE](#) [PI3VDP612-AZHE](#)



Стандарт Электрон Связь

Мы молодая и активно развивающаяся компания в области поставок электронных компонентов. Мы поставляем электронные компоненты отечественного и импортного производства напрямую от производителей и с крупнейших складов мира.

Благодаря сотрудничеству с мировыми поставщиками мы осуществляем комплексные и плановые поставки широчайшего спектра электронных компонентов.

Собственная эффективная логистика и склад в обеспечивает надежную поставку продукции в точно указанные сроки по всей России.

Мы осуществляем техническую поддержку нашим клиентам и предпродажную проверку качества продукции. На все поставляемые продукты мы предоставляем гарантию .

Осуществляем поставки продукции под контролем ВП МО РФ на предприятия военно-промышленного комплекса России , а также работаем в рамках 275 ФЗ с открытием отдельных счетов в уполномоченном банке. Система менеджмента качества компании соответствует требованиям ГОСТ ISO 9001.

Минимальные сроки поставки, гибкие цены, неограниченный ассортимент и индивидуальный подход к клиентам являются основой для выстраивания долгосрочного и эффективного сотрудничества с предприятиями радиоэлектронной промышленности, предприятиями ВПК и научно-исследовательскими институтами России.

С нами вы становитесь еще успешнее!

Наши контакты:

Телефон: +7 812 627 14 35

Электронная почта: sales@st-electron.ru

Адрес: 198099, Санкт-Петербург,
Промышленная ул, дом № 19, литера Н,
помещение 100-Н Офис 331