

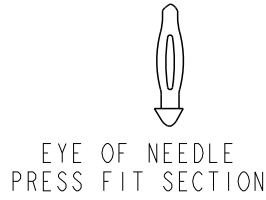
A

B

C

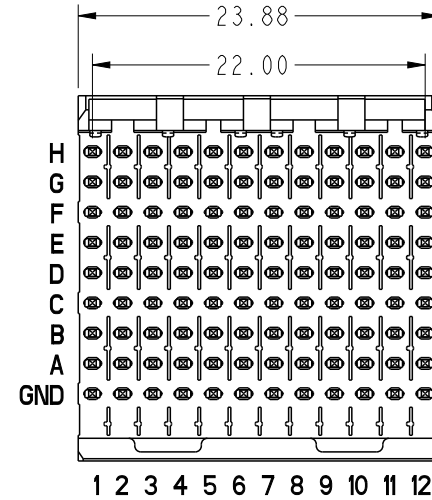
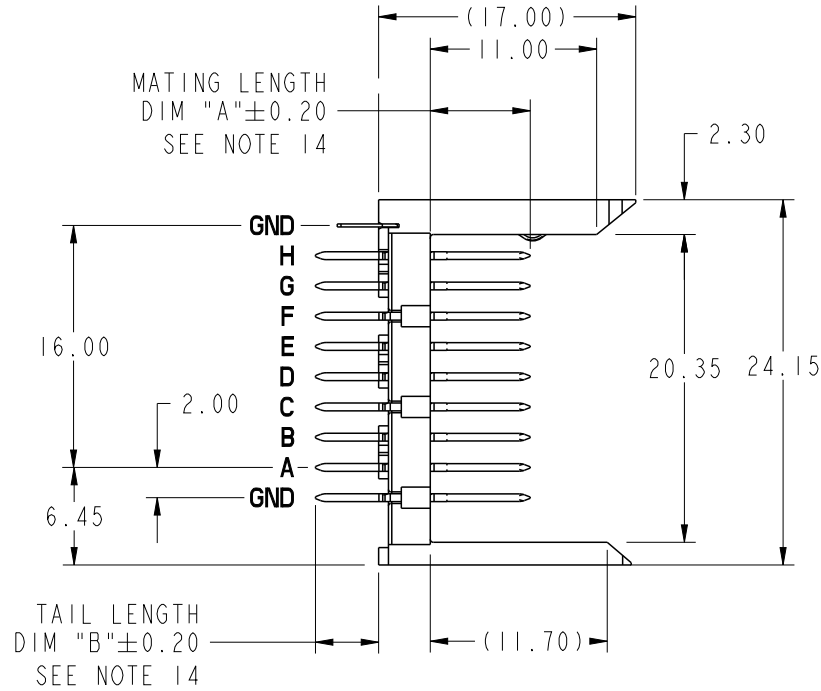
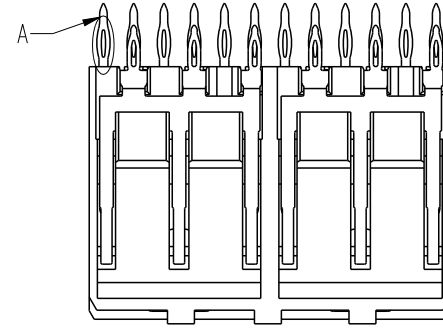
D

| | | |
|-----------------|---------------------------|--|
| PRODUCT NUMBER | PLATING PERFORMANCE LEVEL | FOR REAR PLUG-UP APPLICATIONS USE SHROUD |
| 10114820-1YYY | TELCORDIA CO | 74993-102 |
| 10114820-1YYYYF | TELCORDIA CO | 74993-102LF |



DETAIL A
SCALE 4:1
SEE NOTE 16

SEE DETAIL A



A

B

C

D

| | | | | | | | |
|---------------------------------------|---------|--|------------|----------------------------|-----------------|------------------------|-----------|
| spec ref - | | dr P-Mathew Nebu | 2012/05/11 | projection | MM ←→ | size A4 | scale 2:1 |
| tolerance std ISO 406 ISO 1101 | | eng Stalin Alosius | 2018/03/14 | | | ecn no ELX-I-29544-1 | |
| TOLERANCES UNLESS OTHERWISE SPECIFIED | | chr - | - | | | rel level Released | |
| surface ISO 1302 | linear | 0.X | ±0.3 | product family METRAL 1000 | dwg no 10114820 | rev B | |
| | | 0.XX | ±0.13 | | | | |
| | | 0.XXX | ±0.051 | | | | |
| | angular | 0° | ±2° | product - Customer Drw | sheet 1 of 7 | | |
| Amphenol FCI | | title VERTICAL SIGNAL HDR 8 ROW P.F. 96 POS. SELECT LOAD EXT. | | cat. no. - | | Product - Customer Drw | |

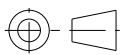
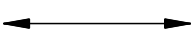
| PIN NO. | DIM A MATING LENGTH | DIM B TAIL LENGTH | PCB THICKNESS RANGE ACCOMMODATED BY PIN'S TAIL LENGTH | | | | |
|---------|---------------------|-------------------|---|-------------|--|-------------|-------------|
| | | | WHEN MATING TO A 74981 SERIES RECEPTACLE | | WHEN MATING TO A 52066 SERIES METRAL 4000 RECEPTACLE | | |
| | | | ROWS A,B,C,D,E,F,G & H | GROUND ROW | ROWS A,B,D,E,G & H | ROW C & F | GROUND ROW |
| 01* | 5.00 | 4.30 | 1.60 MIN | 1.60 MIN | 1.60 MIN | 1.60 MIN | 1.60 MIN |
| 22 | | 12.20 | 2.95 - 3.80 | 2.95 - 4.20 | 2.95 - 3.80 | 2.95 - 3.80 | 2.95 - 4.20 |
| 30 | | 12.95 | 2.95 - 4.55 | 3.25 - 4.95 | 2.95 - 4.55 | 2.95 - 4.55 | 3.25 - 4.95 |
| 05 | | 13.70 | 2.95 - 5.30 | 4.00 - 5.70 | 3.30 - 5.30 | 2.95 - 5.30 | 4.00 - 5.70 |
| 35 | | 14.45 | 3.05 - 6.05 | 4.75 - 6.45 | 4.05 - 6.05 | 3.05 - 6.05 | 4.75 - 6.45 |
| 48 | | 15.20 | 3.80 - 6.80 | 5.50 - 7.20 | 4.80 - 6.80 | 3.80 - 6.80 | 5.50 - 7.20 |
| 40 | | 15.70 | 4.30 - 7.30 | 6.00 - 7.70 | 5.30 - 7.30 | 4.30 - 7.30 | 6.00 - 7.70 |
| 65 | | 16.40 | 5.00 - 8.00 | 6.70 - 8.40 | 6.00 - 8.00 | 5.00 - 8.00 | 6.70 - 8.40 |
| 09 | | 17.10 | 5.70 - 8.70 | 7.40 - 9.10 | 6.70 - 8.70 | 5.70 - 8.70 | 7.40 - 9.10 |
| 02* | 5.75 | 4.30 | 1.60 MIN | 1.60 MIN | 1.60 MIN | 1.60 MIN | 1.60 MIN |
| 44 | | 12.20 | 2.95 - 3.80 | 2.95 - 4.20 | 2.95 - 3.80 | 2.95 - 3.80 | 2.95 - 4.20 |
| 31 | | 12.95 | 2.95 - 4.55 | 3.25 - 4.95 | 2.95 - 4.55 | 2.95 - 4.55 | 3.25 - 4.95 |
| 06 | | 13.70 | 2.95 - 5.30 | 4.00 - 5.70 | 3.30 - 5.30 | 2.95 - 5.30 | 4.00 - 5.70 |
| 36 | | 14.45 | 3.05 - 6.05 | 4.75 - 6.45 | 4.05 - 6.05 | 3.05 - 6.05 | 4.75 - 6.45 |
| 49 | | 15.20 | 3.80 - 6.80 | 5.50 - 7.20 | 4.80 - 6.80 | 3.80 - 6.80 | 5.50 - 7.20 |
| 25 | | 15.70 | 4.30 - 7.30 | 6.00 - 7.70 | 5.30 - 7.30 | 4.30 - 7.30 | 6.00 - 7.70 |
| 66 | | 16.40 | 5.00 - 8.00 | 6.70 - 8.40 | 6.00 - 8.00 | 5.00 - 8.00 | 6.70 - 8.40 |
| 10 | | 17.10 | 5.70 - 8.70 | 7.40 - 9.10 | 6.70 - 8.70 | 5.70 - 8.70 | 7.40 - 9.10 |
| 03* | 6.50 | 4.30 | 1.60 MIN | 1.60 MIN | 1.60 MIN | 1.60 MIN | 1.60 MIN |
| 45 | | 12.20 | 2.95 - 3.80 | 2.95 - 4.20 | 2.95 - 3.80 | 2.95 - 3.80 | 2.95 - 4.20 |
| 32 | | 12.95 | 2.95 - 4.55 | 3.25 - 4.95 | 2.95 - 4.55 | 2.95 - 4.55 | 3.25 - 4.95 |
| 07 | | 13.70 | 2.95 - 5.30 | 4.00 - 5.70 | 3.30 - 5.30 | 2.95 - 5.30 | 4.00 - 5.70 |
| 37 | | 14.45 | 3.05 - 6.05 | 4.75 - 6.45 | 4.05 - 6.05 | 3.05 - 6.05 | 4.75 - 6.45 |
| 50 | | 15.20 | 3.80 - 6.80 | 5.50 - 7.20 | 4.80 - 6.80 | 3.80 - 6.80 | 5.50 - 7.20 |
| 41 | | 15.70 | 4.30 - 7.30 | 6.00 - 7.70 | 5.30 - 7.30 | 4.30 - 7.30 | 6.00 - 7.70 |
| 24 | | 16.40 | 5.00 - 8.00 | 6.70 - 8.40 | 6.00 - 8.00 | 5.00 - 8.00 | 6.70 - 8.40 |
| 11 | | 17.10 | 5.70 - 8.70 | 7.40 - 9.10 | 6.70 - 8.70 | 5.70 - 8.70 | 7.40 - 9.10 |

| | | | | | | | | |
|--------------------------------------|---------------------------------------|--------------------|------------|----------------------------|--------------------|---------------------------|-----------------|-------|
| spec ref - | | dr P-Mathew Nebu | 2012/05/11 | projection | MM | size A4 | scale 2:1 | |
| tolerance std ISO 406 ISO 1101 | TOLERANCES UNLESS OTHERWISE SPECIFIED | eng Stalin Alosius | 2018/03/14 | | | ecn no ELX-I-29544-1 | | |
| | | chr - | - | | | | | |
| surface ISO 1302 | linear | 0.X | ±0.3 | product family METRAL 1000 | rel level Released | | | |
| | | 0.XX | ±0.13 | | | | | |
| | | 0.XXX | ±0.051 | | | | | |
| | angular | 0° | ±2° | Amphenol FCI | | VERTICAL SIGNAL HDR 8 ROW | dwg no 10114820 | rev B |
| | | cat. no. - | | Product - Customer Drw | | sheet 2 of 7 | | |

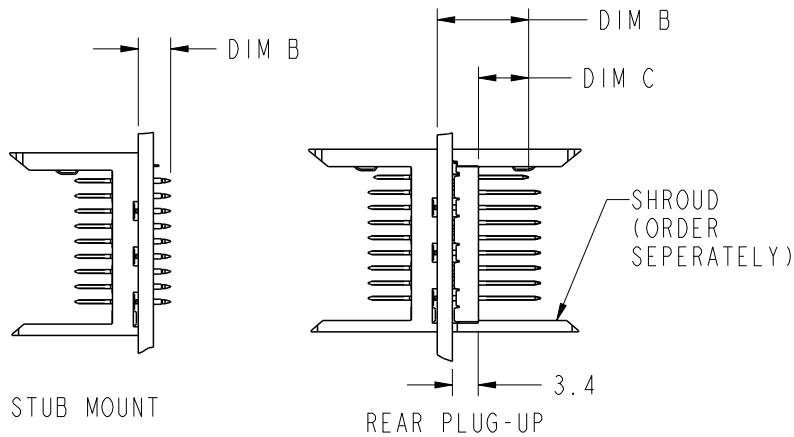
| PIN NO. | DIM A MATING LENGTH | DIM B TAIL LENGTH | PCB THICKNESS RANGE ACCOMMODATED BY PIN LENGTH | | | | |
|---------|---------------------|-------------------|--|-------------|--|-------------|-------------|
| | | | WHEN MATING TO A 74981 SERIES RECEPTACLE | | WHEN MATING TO A 52066 SERIES METRAL 4000 RECEPTACLE | | |
| | | | ROWS A,B,C, D,E,F,G & H | GROUND ROW | ROWS:A,B, D,E,G & H | ROW C & F | GROUND ROW |
| 04* | 7.25 | 4.30 | 1.60 MIN | 1.60 MIN | 1.60 MIN | 1.60 MIN | 1.60 MIN |
| 46 | | 12.20 | 2.95 - 3.80 | 2.95 - 4.20 | 2.95 - 3.80 | 2.95 - 3.80 | 2.95 - 4.20 |
| 33 | | 12.95 | 2.95 - 4.55 | 3.25 - 4.95 | 2.95 - 4.55 | 2.95 - 4.55 | 3.25 - 4.95 |
| 08 | | 13.70 | 2.95 - 5.30 | 4.00 - 5.70 | 3.30 - 5.30 | 2.95 - 5.30 | 4.00 - 5.70 |
| 38 | | 14.45 | 3.05 - 6.05 | 4.75 - 6.45 | 4.05 - 6.05 | 3.05 - 6.05 | 4.75 - 6.45 |
| 51 | | 15.20 | 3.80 - 6.80 | 5.50 - 7.20 | 4.80 - 6.80 | 3.80 - 6.80 | 5.50 - 7.20 |
| 42 | | 15.70 | 4.30 - 7.30 | 6.00 - 7.70 | 5.30 - 7.30 | 4.30 - 7.30 | 6.00 - 7.70 |
| 67 | | 16.40 | 5.00 - 8.00 | 6.70 - 8.40 | 6.00 - 8.00 | 5.00 - 8.00 | 6.70 - 8.40 |
| 12 | | 17.10 | 5.70 - 8.70 | 7.40 - 9.10 | 6.70 - 8.70 | 5.70 - 8.70 | 7.40 - 9.10 |
| 19* | 8.00 | 4.30 | 1.60 MIN | 1.60 MIN | 1.60 MIN | 1.60 MIN | 1.60 MIN |
| 47 | | 12.20 | 2.95 - 3.80 | 2.95 - 4.20 | 2.95 - 3.80 | 2.95 - 3.80 | 2.95 - 4.20 |
| 34 | | 12.95 | 2.95 - 4.55 | 3.25 - 4.95 | 2.95 - 4.55 | 2.95 - 4.55 | 3.25 - 4.95 |
| 20 | | 13.70 | 2.95 - 5.30 | 4.00 - 5.70 | 3.30 - 5.30 | 2.95 - 5.30 | 4.00 - 5.70 |
| 39 | | 14.45 | 3.05 - 6.05 | 4.75 - 6.45 | 4.05 - 6.05 | 3.05 - 6.05 | 4.75 - 6.45 |
| 52 | | 15.20 | 3.80 - 6.80 | 5.50 - 7.20 | 4.80 - 6.80 | 3.80 - 6.80 | 5.50 - 7.20 |
| 43 | | 15.70 | 4.30 - 7.30 | 6.00 - 7.70 | 5.30 - 7.30 | 4.30 - 7.30 | 6.00 - 7.70 |
| 68 | | 16.40 | 5.00 - 8.00 | 6.70 - 8.40 | 6.00 - 8.00 | 5.00 - 8.00 | 6.70 - 8.40 |
| 21 | | 17.10 | 5.70 - 8.70 | 7.40 - 9.10 | 6.70 - 8.70 | 5.70 - 8.70 | 7.40 - 9.10 |

* STUB PINS - NO REAR PLUG-UP

** THE GREATEST RANGE OCCURS WHEN THE B DIMENSION OF PIN 'GND' IS ONE SIZE SHORTER THEN THE OTHER PINS.

| | | | | | | | |
|--------------------------------------|---------------------------------------|--------------------|------------|---|---|----------------------|-----------|
| spec ref - | | dr P-Mathew Nebu | 2012/05/11 | projection  | MM  | size A4 | scale 2:1 |
| tolerance std ISO 406 ISO 1101 | TOLERANCES UNLESS OTHERWISE SPECIFIED | eng Stalin Alosius | 2018/03/14 | | | ecn no ELX-I-29544-1 | |
| | | chr - | - | | | rel level Released | |
| surface ISO 1302 | linear | 0.X | ±0.3 | product family METRAL 1000 | dwg no 10114820 | rev B | |
| | | 0.XX | ±0.13 | | | | |
| | | 0.XXX | ±0.051 | | | | |
| | angular | 0° | ±2° | cat. no. - | Product - Customer Drw | sheet 3 of 7 | |

PRODUCT NUMBER
SEE SHEET 1



| PRESS-FIT HOLES * | OPTION 1 |
|-----------------------------|-------------------------------|
| HOLE DIAMETER AFTER PLATING | Ø 0.65-0.80 |
| DRILLED HOLE | Ø 0.81-0.86 (Ø 0.85 DRILL) |
| COPPER PLATING | 0.025 MIN |
| SnPb PLATING | 0.005-0.015 |

* SEE PRINT 58351 FOR ADDITIONAL PCB INFO.

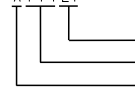
| | | | | | | | | | | |
|---------------------------------------|---------------------|-------|----------------|-----------------|--|----|--------|---------------|----------|-----|
| spec ref | - | dr | P-Mathew Nebu | 2012/05/11 | projection | MM | size | A4 | scale | 1:1 |
| tolerance std | ISO 406 ISO 1101 | eng | Stalin Alosius | 2018/03/14 | | ←→ | ecn no | ELX-I-29544-1 | | |
| TOLERANCES UNLESS OTHERWISE SPECIFIED | | chr | - | - | | | | rel level | Released | |
| surface | linear | 0.X | ±0.3 | Amphenol FCi | product family | | dwg no | 10114820 | | rev |
| | | 0.XX | ±0.13 | | | | | | | |
| | | 0.XXX | ±0.051 | | | | | | | |
| | angular | 0° | ±2° | title | VERTICAL SIGNAL HDR 8 ROW P.F. 96 POS. SELECT LOAD EXT. | | | | | |
| ISO 1302 | | | | cat. no. | Product - Customer Drw | | | sheet 4 of 7 | | |

PRODUCT NUMBER
SEE SHEET 1

NOTES:

1. SEE APPLICATION SPECIFICATION GS-20-010 FOR INFORMATION ON AVAILABLE TOOLING, CIRCUIT BOARD DESIGN CONSIDERATIONS, REPAIR PROCEDURES AND PRODUCT OFFERINGS.
2. SEE FCI PUBLICATION 950511-028 FOR "ELECTRICAL PERFORMANCE DATA FOR DIFFERENTIAL APPLICATIONS."
3. SEE FCI PUBLICATION 950511-028 FOR "ELECTRICAL PERFORMANCE DATA FOR SINGLE-ENDED APPLICATION."
4. UNLESS OTHERWISE SPECIFIED, ALL DIMENSIONS AND TOLERANCES TOLERANCES ARE IN ACCORDANCE WITH ASME Y14.5M, 1994
5. HOUSING MATERIAL: LIQUID CRYSTAL POLYMER, 30% GLASS FILLED, FLAME RETARDANT PER UL 94-V0.
PIN MATERIAL: PHOSPHOR BRONZE
GROUND SPRING MATERIAL: PHOSPHOR BRONZE
6. PLATING INFORMATION: PLATING ON CONTACT AREA MEETS THE PERFORMANCE LEVELS SHOWN IN TABLE ON SHEET 1. PLATING ON "LF" TAILS IS Sn. PLATING ON ALL OTHER TAILS IS SnPb.
7. DIMENSIONAL RESTRICTIONS OF PINS IN HEADERS.
FOR MATING WITH METRAL 1000 RECEPTACLES
DIM A : 5.00mm MIN, 8.00mm MAX FOR ROWS A-H
DIM A : 5.00mm MIN, 5.75mm MAX FOR ROW GND NEXT TO ROW A
DIM C : 5.00mm MIN, 8.00mm MAX FOR ROWS A-H
DIM C : 4.60mm MIN, 6.30mm MAX FOR ROW GND NEXT TO ROW A
FOR MATING WITH METRAL 4000 RECEPTACLES
DIM A : 5.00mm MIN, 6.50mm MAX FOR ROWS A, B, D, E, G & H
DIM A : 5.00mm MIN, 8.00mm MAX FOR ROW C & F
DIM A : 5.00mm MIN, 5.75mm MAX FOR ROW GND NEXT TO ROW A
DIM C : 5.00mm MIN, 7.00mm MAX FOR ROWS A, B, D, E, G & H
DIM C : 5.00mm MIN, 8.00mm MAX FOR ROW C & F
DIM C : 4.60mm MIN, 6.30mm MAX FOR ROW GND NEXT TO ROW A
8. THE MIN PCB THICKNESS FOR REAR PLUG-UP APPLICATIONS IS 2.9mm SINCE THE COMPLIANT SECTIONS OF THE GROUND SPRING OF THE HEADER DIRECTLY OPPOSE THE GROUND SPRING OF THE SHROUD. THE MIN PCB THICKNESS FOR FRONT PLUG-UP ONLY APPLICATIONS IS 1.6mm.

9. THESE HOLES ARE NEEDED FOR REAR PLUG-UP DESIGNS USING A SHROUD AND MAY BE OMITTED FOR FRONT PLUG-UP ONLY DESIGNS.
10. THE 'CONNECTOR OUTLINE' IS THE MIN OUTLINE REQUIRED. TO DETERMINE THE OUTLINE NECESSARY TO PERMIT THE VARIOUS TYPES OF REPAIR OPERATIONS, SEE APPLICATION SPECIFICATION GS-20-010.
11. CURRENT RATING : 1 AMP PER PIN
12. TEMPERATURE RANGE : -55°C TO +105°C
13. P/N 10114820-XXXXLF
14. AFTER INSERTION INTO CIRCUIT BOARD WITH QUALIFIED TOOL.
15. PRODUCTS WHERE THE PART NUMBER ENDS IN LF MEET EUROPEAN UNION DIRECTIVES AND OTHER COUNTRY REGULATIONS AS DESCRIBED IN GS-22-008.



LEAD FREE (OPTIONAL)
SELECT LOAD PATTERN
PLATING CODE

- ALL PRODUCTS WILL WITHSTAND EXPOSURE TO 260°C FOR 60 SECONDS IN A CONVECTION, INFRA-RED OR VAPOR PHASE REFLOW OVEN.
16. PIN TYPE IS OF EYE OF THE NEEDLE STYLE

| | | | | | | | | | | | | | | |
|---------------------|--|---------------------------------------|-------|--------|-----------------|-------------------------------|----------------|---------------------------|-----------|---------------|--------------|-----|-----|---|
| spec ref | | - | | dr | P-Mathew Nebu | 2012/05/11 | projection | MM | size | A4 | scale | 1:1 | | |
| tolerance std | | TOLERANCES UNLESS OTHERWISE SPECIFIED | | eng | Stalin Alosius | 2018/03/14 | | | ecn no | ELX-I-29544-1 | | | | |
| ISO 406 ISO 1101 | | | | chr | - | - | | | rel level | Released | | | | |
| surface | | linear | 0.X | ±0.3 | Amphenol FCI | part no | | VERTICAL SIGNAL HDR 8 ROW | | dwg no | 10114820 | | rev | B |
| | | | 0.XX | ±0.13 | | P.F. 96 POS. SELECT LOAD EXT. | | | | | | | | |
| | | | 0.XXX | ±0.051 | | cat. no. | | Product - Customer Drw | | | sheet 5 of 7 | | | |
| ISO 1302 | | angular | 0° | ±2° | | | | | | | | | | |

Amphenol
FCI

© 2016 AFCI

| METRAL P/N | ROW | CONTACT CODE | | | | | | | | | | | |
|---|-----|--------------|----|----|----|----|----|----|----|----|----|----|----|
| | | 1 | 2 | 3 | 4 | 5 | 6 | 7 | 8 | 9 | 10 | 11 | 12 |
| 10114820-X001 FOR LEAD FREE SEE NOTE 15 | H | 01 | 02 | 02 | 02 | 02 | 02 | 01 | 02 | 02 | 02 | 02 | 03 |
| | G | 02 | 02 | 02 | 02 | 02 | 02 | 02 | 02 | 02 | 02 | 02 | 03 |
| | F | 02 | 02 | 02 | 02 | 02 | 02 | 02 | 02 | 02 | 02 | 02 | 03 |
| | E | 02 | 02 | 02 | 02 | 02 | 02 | 02 | 02 | 02 | 02 | 02 | 03 |
| | D | 02 | 02 | 02 | 02 | 02 | 02 | 02 | 02 | 02 | 02 | 02 | 03 |
| | C | 02 | 02 | 02 | 02 | 02 | 02 | 02 | 02 | 02 | 02 | 02 | 03 |
| | B | 02 | 02 | 02 | 02 | 02 | 02 | 02 | 02 | 02 | 02 | 02 | 03 |
| | A | 02 | 02 | 02 | 02 | 02 | 02 | 02 | 02 | 02 | 02 | 02 | 03 |
| GND | 01 | 01 | 01 | 01 | 01 | 01 | 01 | 01 | 01 | 01 | 01 | 01 | |
| 10114820-X002 FOR LEAD FREE SEE NOTE 15 | H | 02 | 02 | 02 | 02 | 02 | 02 | 02 | 02 | 02 | 02 | 01 | 02 |
| | G | 02 | 02 | 02 | 02 | 02 | 02 | 02 | 02 | 02 | 02 | 01 | 02 |
| | F | 02 | 02 | 02 | 02 | 02 | 02 | 02 | 02 | 02 | 02 | 01 | 02 |
| | E | 02 | 02 | 02 | 02 | 02 | 02 | 02 | 02 | 02 | 02 | 02 | 02 |
| | D | 02 | 02 | 02 | 02 | 02 | 02 | 02 | 02 | 02 | 02 | 03 | 02 |
| | C | 02 | 02 | 02 | 02 | 02 | 02 | 02 | 02 | 02 | 02 | 03 | 02 |
| | B | 02 | 02 | 02 | 02 | 02 | 02 | 02 | 02 | 02 | 02 | 03 | 02 |
| | A | 02 | 02 | 02 | 02 | 02 | 02 | 02 | 02 | 02 | 02 | 01 | 02 |
| GND | 01 | 01 | 01 | 01 | 01 | 01 | 01 | 01 | 01 | 01 | 01 | 01 | |
| 10114820-X003 FOR LEAD FREE SEE NOTE 15 | H | 02 | 02 | 02 | 02 | 01 | 02 | 01 | 02 | 02 | 02 | 02 | 03 |
| | G | 02 | 02 | 02 | 02 | 01 | 02 | 02 | 02 | 02 | 02 | 02 | 03 |
| | F | 02 | 02 | 02 | 02 | 01 | 02 | 02 | 02 | 02 | 02 | 02 | 03 |
| | E | 02 | 02 | 02 | 02 | 01 | 02 | 02 | 02 | 02 | 02 | 02 | 03 |
| | D | 02 | 02 | 02 | 02 | 03 | 02 | 02 | 02 | 02 | 02 | 02 | 03 |
| | C | 02 | 02 | 02 | 02 | 03 | 02 | 02 | 02 | 02 | 02 | 02 | 03 |
| | B | 02 | 02 | 02 | 02 | 03 | 02 | 02 | 02 | 02 | 02 | 02 | 03 |
| | A | 02 | 02 | 02 | 02 | 03 | 01 | 02 | 02 | 02 | 02 | 02 | 03 |
| GND | 01 | 01 | 01 | 01 | 01 | 01 | 01 | 01 | 01 | 01 | 01 | 01 | |
| 10114820-X004 FOR LEAD FREE SEE NOTE 15 | H | 01 | 02 | 01 | 01 | 01 | 02 | 01 | 02 | 02 | 02 | 02 | 03 |
| | G | 02 | 02 | 01 | 01 | 01 | 02 | 02 | 02 | 02 | 02 | 02 | 03 |
| | F | 02 | 02 | 01 | 01 | 01 | 02 | 02 | 02 | 02 | 02 | 02 | 03 |
| | E | 02 | 02 | 01 | 01 | 01 | 02 | 02 | 02 | 02 | 02 | 02 | 03 |
| | D | 02 | 02 | 01 | 01 | 03 | 02 | 02 | 02 | 02 | 02 | 02 | 03 |
| | C | 02 | 02 | 01 | 01 | 03 | 02 | 02 | 02 | 02 | 02 | 02 | 03 |
| | B | 02 | 02 | 01 | 01 | 03 | 02 | 02 | 02 | 02 | 02 | 02 | 03 |
| | A | 02 | 02 | 01 | 01 | 03 | 01 | 02 | 02 | 02 | 02 | 02 | 03 |
| GND | 01 | 01 | 01 | 01 | 01 | 01 | 01 | 01 | 01 | 01 | 01 | 01 | |

| METRAL P/N | ROW | CONTACT CODE | | | | | | | | | | | |
|---|-----|--------------|----|----|----|----|----|----|----|----|----|----|----|
| | | 1 | 2 | 3 | 4 | 5 | 6 | 7 | 8 | 9 | 10 | 11 | 12 |
| 10114820-X005 FOR LEAD FREE SEE NOTE 15 | H | 03 | 03 | 03 | 03 | 03 | 03 | 02 | 02 | 02 | 02 | 02 | 02 |
| | G | 03 | 03 | 03 | 03 | 03 | 03 | 02 | 02 | 02 | 02 | 02 | 02 |
| | F | 03 | 03 | 03 | 03 | 03 | 03 | 02 | 02 | 02 | 02 | 02 | 02 |
| | E | 03 | 03 | 03 | 03 | 03 | 03 | 02 | 02 | 02 | 02 | 02 | 02 |
| | D | 03 | 03 | 03 | 03 | 03 | 03 | 02 | 02 | 02 | 02 | 02 | 02 |
| | C | 03 | 03 | 03 | 03 | 03 | 03 | 02 | 02 | 02 | 02 | 02 | 02 |
| | B | 03 | 03 | 03 | 03 | 03 | 03 | 02 | 02 | 02 | 02 | 02 | 02 |
| | A | 03 | 03 | 03 | 03 | 03 | 03 | 02 | 02 | 02 | 02 | 02 | 02 |
| GND | 01 | 01 | 01 | 01 | 01 | 01 | 01 | 01 | 01 | 01 | 01 | 01 | |
| 10114820-X006 FOR LEAD FREE SEE NOTE 15 | H | 01 | 02 | 02 | 02 | 02 | 02 | 01 | 02 | 02 | 02 | 02 | 03 |
| | G | 01 | 02 | 02 | 02 | 02 | 02 | 01 | 02 | 02 | 02 | 02 | 03 |
| | F | 01 | 02 | 02 | 02 | 02 | 02 | 01 | 02 | 02 | 02 | 02 | 03 |
| | E | 02 | 02 | 02 | 02 | 02 | 02 | 02 | 02 | 02 | 02 | 02 | 03 |
| | D | 02 | 02 | 02 | 02 | 02 | 02 | 02 | 02 | 02 | 02 | 02 | 03 |
| | C | 02 | 02 | 02 | 02 | 02 | 02 | 02 | 02 | 02 | 02 | 02 | 03 |
| | B | 02 | 02 | 02 | 02 | 02 | 02 | 02 | 02 | 02 | 02 | 02 | 03 |
| | A | 02 | 02 | 02 | 02 | 02 | 02 | 02 | 02 | 02 | 02 | 02 | 03 |
| GND | 01 | 01 | 01 | 01 | 01 | 01 | 01 | 01 | 01 | 01 | 01 | 01 | |
| 10114820-X007 FOR LEAD FREE SEE NOTE 15 | H | 02 | 02 | 02 | 02 | 02 | 02 | 02 | 02 | 02 | 02 | 02 | 02 |
| | G | 01 | 01 | 01 | 01 | 01 | 01 | 01 | 01 | 01 | 01 | 01 | 01 |
| | F | 02 | 02 | 02 | 02 | 02 | 02 | 02 | 02 | 02 | 02 | 02 | 02 |
| | E | 02 | 02 | 02 | 02 | 02 | 02 | 02 | 02 | 02 | 02 | 02 | 02 |
| | D | 02 | 02 | 02 | 02 | 02 | 02 | 02 | 02 | 02 | 02 | 02 | 02 |
| | C | 01 | 01 | 01 | 01 | 01 | 01 | 01 | 01 | 01 | 01 | 01 | 01 |
| | B | 02 | 02 | 02 | 02 | 02 | 02 | 02 | 02 | 02 | 02 | 02 | 02 |
| | A | 02 | 02 | 02 | 02 | 02 | 02 | 02 | 02 | 02 | 02 | 02 | 02 |
| GND | 01 | 01 | 01 | 01 | 01 | 01 | 01 | 01 | 01 | 01 | 01 | 01 | |
| 10114820-X008 FOR LEAD FREE SEE NOTE 15 | H | 02 | 02 | 02 | 01 | 02 | 02 | 02 | 02 | 02 | 02 | 02 | 02 |
| | G | 02 | 02 | 02 | 01 | 02 | 02 | 02 | 02 | 02 | 02 | 02 | 02 |
| | F | 02 | 02 | 02 | 01 | 02 | 02 | 02 | 02 | 02 | 02 | 02 | 02 |
| | E | 02 | 02 | 02 | 01 | 02 | 02 | 02 | 02 | 02 | 02 | 02 | 02 |
| | D | 02 | 02 | 02 | 02 | 02 | 02 | 02 | 02 | 02 | 02 | 02 | 02 |
| | C | 02 | 02 | 02 | 01 | 02 | 02 | 02 | 02 | 02 | 02 | 02 | 02 |
| | B | 02 | 02 | 02 | 01 | 02 | 02 | 02 | 02 | 02 | 02 | 02 | 02 |
| | A | 02 | 02 | 02 | 01 | 02 | 02 | 02 | 02 | 02 | 02 | 02 | 02 |
| GND | 01 | 01 | 01 | 01 | 01 | 01 | 01 | 01 | 01 | 01 | 01 | 01 | |

| METRAL P/N | ROW | CONTACT CODE | | | | | | | | | | | |
|---|-----|--------------|----|----|----|----|----|----|----|----|----|----|----|
| | | 1 | 2 | 3 | 4 | 5 | 6 | 7 | 8 | 9 | 10 | 11 | 12 |
| 10114820-X009 FOR LEAD FREE SEE NOTE 15 | H | 01 | 02 | 02 | 02 | 02 | 02 | 02 | 02 | 02 | 02 | 02 | 02 |
| | G | 02 | 02 | 02 | 02 | 02 | 02 | 02 | 02 | 02 | 02 | 02 | 02 |
| | F | 02 | 02 | 02 | 02 | 02 | 02 | 02 | 02 | 02 | 02 | 02 | 02 |
| | E | 03 | 02 | 02 | 02 | 02 | 02 | 02 | 02 | 02 | 02 | 02 | 02 |
| | D | 03 | 02 | 02 | 02 | 02 | 02 | 02 | 02 | 02 | 02 | 02 | 02 |
| | C | 03 | 02 | 02 | 02 | 02 | 02 | 02 | 02 | 02 | 02 | 02 | 02 |
| | B | 03 | 02 | 02 | 02 | 02 | 02 | 02 | 02 | 02 | 02 | 02 | 02 |
| | A | 03 | 02 | 02 | 02 | 02 | 02 | 02 | 02 | 02 | 02 | 02 | 02 |
| GND | 01 | 01 | 01 | 01 | 01 | 01 | 01 | 01 | 01 | 01 | 01 | 01 | |
| 10114820-X010 FOR LEAD FREE SEE NOTE 15 | H | 02 | 02 | 02 | 02 | 02 | 02 | 02 | 02 | 02 | 02 | 02 | 02 |
| | G | 02 | 02 | 02 | 02 | 02 | 02 | 02 | 01 | 02 | 02 | 02 | 02 |
| | F | 02 | 02 | 02 | 02 | 02 | 02 | 02 | 02 | 02 | 02 | 02 | 02 |
| | E | 01 | 02 | 02 | 02 | 02 | 02 | 02 | 02 | 02 | 02 | 02 | 02 |
| | D | 01 | 02 | 02 | 02 | 02 | 02 | 02 | 02 | 02 | 02 | 02 | 02 |
| | C | 01 | 02 | 02 | 02 | 02 | 02 | 01 | 02 | 02 | 02 | 02 | 02 |
| | B | 01 | 02 | 02 | 02 | 02 | 02 | 02 | 02 | 02 | 02 | 02 | 02 |
| | A | 01 | 02 | 02 | 02 | 02 | 02 | 02 | 02 | 02 | 02 | 02 | 02 |
| GND | 01 | 01 | 01 | 01 | 01 | 01 | 01 | 01 | 01 | 01 | 01 | 01 | |
| 10114820-X011 FOR LEAD FREE SEE NOTE 15 | H | 02 | 02 | 02 | 02 | 02 | 02 | 02 | 02 | 02 | 02 | 02 | 02 |
| | G | 02 | 02 | 02 | 02 | 02 | 02 | 02 | 02 | 02 | 02 | 02 | 02 |
| | F | 02 | 02 | 02 | 02 | 02 | 02 | 02 | 02 | 02 | 02 | 02 | 02 |
| | E | 02 | 02 | 02 | 02 | 02 | 02 | 02 | 02 | 02 | 02 | 02 | 02 |
| | D | 02 | 02 | 02 | 02 | 02 | 02 | 02 | 02 | 02 | 02 | 02 | 02 |
| | C | 02 | 02 | 02 | 02 | 02 | 02 | 02 | 02 | 02 | 02 | 02 | 02 |
| | B | 02 | 02 | 02 | 02 | 02 | 02 | 02 | 02 | 02 | 02 | 02 | 02 |
| | A | 02 | 02 | 02 | 02 | 02 | 02 | 02 | 02 | 02 | 02 | 02 | 02 |
| GND | 01 | 01 | 01 | 01 | 01 | 01 | 01 | 01 | 01 | 01 | 01 | 01 | |
| 10114820-X012 FOR LEAD FREE SEE NOTE 15 | H | 02 | 02 | 02 | 02 | 02 | 02 | 02 | 02 | 02 | 02 | 02 | 02 |
| | G | 02 | 02 | 02 | 02 | 02 | 02 | 02 | 02 | 02 | 02 | 02 | 02 |
| | F | 04 | 04 | 04 | 04 | 04 | 04 | 04 | 04 | 04 | 04 | 04 | 04 |
| | E | 02 | 02 | 02 | 02 | 02 | 02 | 02 | 02 | 02 | 02 | 02 | 02 |
| | D | 02 | 02 | 02 | 02 | 02 | 02 | 02 | 02 | 02 | 02 | 02 | 02 |
| | C | 02 | 02 | 02 | 02 | 02 | 02 | 02 | 02 | 02 | 02 | 02 | 02 |
| | B | 02 | 02 | 02 | 02 | 02 | 02 | 02 | 02 | 02 | 02 | 02 | 02 |
| | A | 02 | 02 | 02 | 02 | 02 | 02 | 02 | 02 | 02 | 02 | 02 | 02 |
| GND | 01 | 01 | 01 | 01 | 01 | 01 | 01 | 01 | 01 | 01 | 01 | 01 | |

| | | | | | | | | | | | |
|---------------------------------------|---------------------|------|----------------|------------|-------------------------------|---------------------------|------------------------|---------------|--------------|-----|---|
| spec ref | - | dr | P-Mathew Nebu | 2012/05/11 | projection | MM | size | A4 | scale | 1:1 | |
| tolerance std | ISO 406 ISO 1101 | eng | Stalin Alosius | 2018/03/14 | | | ecn no | ELX-I-29544-1 | | | |
| TOLERANCES UNLESS OTHERWISE SPECIFIED | | chr | - | rel level | | | | Released | | | |
| surface | linear | appr | K-Paul Biju | 2018/03/14 | product family | VERTICAL SIGNAL HDR 8 ROW | | dwg no | 10114820 | rev | B |
| | angular | | | | P.F. 96 POS. SELECT LOAD EXT. | | Product - Customer Drw | | sheet 6 of 7 | | |
| | 0.X | | | | | | | | | | |
| | 0.XX | | | | | | | | | | |
| | 0.XXX | | | | | | | | | | |
| | 0° | | | | | | | | | | |

Amphenol
FCI

© 2016 AFCI

| METRAL P/N | ROW | CONTACT CODE | | | | | | | | | | | | |
|---|-----|--------------|----|----|----|----|----|----|----|----|----|----|----|----|
| | | 1 | 2 | 3 | 4 | 5 | 6 | 7 | 8 | 9 | 10 | 11 | 12 | |
| 10114820-X013 FOR LEAD FREE SEE NOTE 15 | H | 01 | 02 | 02 | 02 | 02 | 02 | 02 | 02 | 02 | 04 | 04 | 03 | 03 |
| | G | 02 | 02 | 02 | 02 | 02 | 02 | 02 | 02 | 02 | 04 | 04 | 03 | 03 |
| | F | 02 | 02 | 02 | 02 | 02 | 02 | 02 | 02 | 02 | 04 | 04 | 03 | 03 |
| | E | 02 | 02 | 02 | 02 | 02 | 02 | 02 | 02 | 02 | 04 | 04 | 04 | 04 |
| | D | 02 | 02 | 02 | 02 | 02 | 02 | 02 | 02 | 02 | 04 | 04 | 04 | 04 |
| | C | 02 | 02 | 02 | 02 | 02 | 02 | 02 | 02 | 02 | 04 | 04 | 04 | 04 |
| | B | 02 | 02 | 02 | 02 | 02 | 02 | 02 | 02 | 02 | 04 | 04 | 04 | 04 |
| | A | 02 | 02 | 02 | 02 | 02 | 02 | 02 | 02 | 02 | 04 | 04 | 04 | 04 |
| | GND | 01 | 01 | 01 | 01 | 01 | 01 | 01 | 01 | 01 | 01 | 01 | 01 | 01 |
| | | | | | | | | | | | | | | |
| METRAL P/N | ROW | CONTACT CODE | | | | | | | | | | | | |
| 10114820-X014 FOR LEAD FREE SEE NOTE 15 | H | 02 | 02 | 02 | 02 | 02 | 02 | 02 | 02 | 02 | 02 | 02 | 02 | 02 |
| | G | 02 | 02 | 02 | 02 | 02 | 02 | 02 | 02 | 02 | 02 | 02 | 02 | 02 |
| | F | 02 | 02 | 02 | 02 | 02 | 02 | 02 | 02 | 02 | 02 | 02 | 02 | 02 |
| | E | 02 | 02 | 02 | 02 | 02 | 02 | 02 | 02 | 02 | 02 | 02 | 02 | 02 |
| | D | 02 | 02 | 02 | 02 | 02 | 02 | 02 | 02 | 02 | 02 | 02 | 02 | 02 |
| | C | 02 | 02 | 02 | 02 | 02 | 02 | 02 | 02 | 02 | 02 | 02 | 02 | 02 |
| | B | 02 | 02 | 02 | 02 | 02 | 02 | 02 | 02 | 02 | 02 | 02 | 02 | 02 |
| | A | 02 | 02 | 02 | 02 | 02 | 02 | 02 | 02 | 02 | 02 | 02 | 02 | 01 |
| | GND | 01 | 01 | 01 | 01 | 01 | 01 | 01 | 01 | 01 | 01 | 01 | 01 | 01 |
| | | | | | | | | | | | | | | |
| METRAL P/N | ROW | CONTACT CODE | | | | | | | | | | | | |
| 10114820-X015 FOR LEAD FREE SEE NOTE 15 | H | 02 | 02 | 02 | 02 | 02 | 02 | 02 | 02 | 02 | 02 | 02 | 02 | 02 |
| | G | 02 | 02 | 02 | 02 | 02 | 02 | 02 | 02 | 02 | 02 | 02 | 02 | 02 |
| | F | 02 | 02 | 02 | 02 | 02 | 02 | 02 | 02 | 02 | 02 | 02 | 02 | 02 |
| | E | 02 | 02 | 02 | 02 | 02 | 02 | 02 | 02 | 02 | 02 | 02 | 02 | 02 |
| | D | 06 | 06 | 06 | 06 | 06 | 06 | 06 | 06 | 06 | 06 | 06 | 06 | 06 |
| | C | 06 | 06 | 06 | 06 | 06 | 06 | 06 | 06 | 06 | 06 | 06 | 06 | 06 |
| | B | 06 | 06 | 06 | 06 | 06 | 06 | 06 | 06 | 06 | 06 | 06 | 06 | 06 |
| | A | 06 | 06 | 06 | 06 | 06 | 06 | 06 | 06 | 06 | 06 | 06 | 06 | 06 |
| | GND | 05 | 05 | 05 | 05 | 05 | 05 | 05 | 05 | 05 | 05 | 05 | 05 | 05 |
| | | | | | | | | | | | | | | |
| METRAL P/N | ROW | CONTACT CODE | | | | | | | | | | | | |
| 10114820-X016 FOR LEAD FREE SEE NOTE 15 | H | 06 | 06 | 06 | 06 | 06 | 06 | 06 | 06 | 06 | 06 | 06 | 06 | 06 |
| | G | 06 | 06 | 06 | 06 | 06 | 06 | 06 | 06 | 06 | 06 | 06 | 06 | 06 |
| | F | 06 | 06 | 06 | 06 | 06 | 06 | 06 | 06 | 06 | 06 | 06 | 06 | 06 |
| | E | 06 | 06 | 06 | 06 | 06 | 06 | 06 | 06 | 06 | 06 | 06 | 06 | 06 |
| | D | 06 | 06 | 06 | 06 | 06 | 06 | 06 | 06 | 06 | 06 | 06 | 06 | 06 |
| | C | 06 | 06 | 06 | 06 | 06 | 06 | 06 | 06 | 06 | 06 | 06 | 06 | 06 |
| | B | 06 | 06 | 06 | 06 | 06 | 06 | 06 | 06 | 06 | 06 | 06 | 06 | 06 |
| | A | 02 | 02 | 02 | 02 | 06 | 06 | 06 | 06 | 06 | 06 | 06 | 06 | 06 |
| | GND | 05 | 05 | 05 | 05 | 05 | 05 | 05 | 05 | 05 | 05 | 05 | 05 | 05 |

| | | | | | | | | | | | |
|---------------------|---------------------------------------|-------|--------|-----------------|------------------------|--|--------|--------------|---------------|-------|-----|
| spec ref | - | | dr | P-Mathew Nebu | 2012/05/11 | projection | MM | size | A4 | scale | 1:1 |
| tolerance std | TOLERANCES UNLESS OTHERWISE SPECIFIED | | eng | Stalin Alosius | 2018/03/14 | | | ecn no | ELX-I-29544-1 | | |
| ISO 406 ISO 1101 | | | chr | - | - | | | rel level | Released | | |
| surface | linear | 0.X | ±0.3 | Amphenol FCI | title | VERTICAL SIGNAL HDR 8 ROW P.F. 96 POS. SELECT LOAD EXT. | dwg no | 10114820 | rev | B | |
| | | 0.XX | ±0.13 | | | | | | | | |
| | | 0.XXX | ±0.051 | | | | | | | | |
| ISO 1302 | angular | 0° | ±2° | cat. no. | Product - Customer Drw | | | sheet 7 of 7 | | | |

Creo Title - REV E - 2016-02-12



Стандарт Электрон Связь

Мы молодая и активно развивающаяся компания в области поставок электронных компонентов. Мы поставляем электронные компоненты отечественного и импортного производства напрямую от производителей и с крупнейших складов мира.

Благодаря сотрудничеству с мировыми поставщиками мы осуществляем комплексные и плановые поставки широчайшего спектра электронных компонентов.

Собственная эффективная логистика и склад в обеспечивает надежную поставку продукции в точно указанные сроки по всей России.

Мы осуществляем техническую поддержку нашим клиентам и предпродажную проверку качества продукции. На все поставляемые продукты мы предоставляем гарантию .

Осуществляем поставки продукции под контролем ВП МО РФ на предприятия военно-промышленного комплекса России , а также работаем в рамках 275 ФЗ с открытием отдельных счетов в уполномоченном банке. Система менеджмента качества компании соответствует требованиям ГОСТ ISO 9001.

Минимальные сроки поставки, гибкие цены, неограниченный ассортимент и индивидуальный подход к клиентам являются основой для выстраивания долгосрочного и эффективного сотрудничества с предприятиями радиоэлектронной промышленности, предприятиями ВПК и научно-исследовательскими институтами России.

С нами вы становитесь еще успешнее!

Наши контакты:

Телефон: +7 812 627 14 35

Электронная почта: sales@st-electron.ru

Адрес: 198099, Санкт-Петербург,
Промышленная ул, дом № 19, литера Н,
помещение 100-Н Офис 331