

**PLEASE CHECK WWW.MOLEX.COM FOR LATEST PART INFORMATION**

**Part Number:** **0751969002**  
**Status:** **Active**  
**Overview:** vhdm\_hsd  
**Description:** 2.00mm (.079") Pitch 6-Row VHDM® Lite Backplane Header, Right Shield End Version, 6 Row, 60 Circuits, Pin Length 6.25mm (.246")

**Documents:**

[Drawing \(PDF\)](#) [RoHS Certificate of Compliance \(PDF\)](#)  
[Product Specification PS-74031-999 \(PDF\)](#)

**General**

Product Family	Backplane Connectors
Series	75196
Application	Backplane
Application Tooling Documents	<a href="http://www.molex.com/pdm_docs/ats/TM-622010999.pdf">Tooling Manual</a>
Comments	No Keying Position
Component Type	PCB Header
Overview	vhdm_hsd
Product Name	VHDM Lite®
Style	N/A

**Physical**

Circuits (Loaded)	60
Circuits (maximum)	60
Color - Resin	Black
Durability (mating cycles max)	200
First Mate / Last Break	No
Guide to Mating Part	Yes
Keying to Mating Part	None
Material - Metal	High Performance Alloy (HPA), Stainless Steel
Material - Plating Mating	Gold
Material - Plating Termination	Tin
Material - Resin	High Temperature Thermoplastic
Number of Columns	10
Number of Pairs	Open Pin Field
Number of Rows	6
Orientation	Vertical
PC Tail Length (in)	0.098 In
PC Tail Length (mm)	2.50 mm
PCB Locator	No
PCB Retention	Yes
PCB Thickness Recommended (in)	0.071 In
PCB Thickness Recommended (mm)	1.80 mm
Packaging Type	Tube
Pitch - Mating Interface (in)	0.079 In
Pitch - Mating Interface (mm)	2.00 mm
Pitch - Term. Interface (in)	0.079 In
Pitch - Term. Interface (mm)	2.00 mm
Plating min: Mating (µin)	30
Plating min: Mating (µm)	0.75
Plating min: Termination (µin)	30
Plating min: Termination (µm)	0.75
Polarized to PCB	No
Stackable	No
Surface Mount Compatible (SMC)	Yes

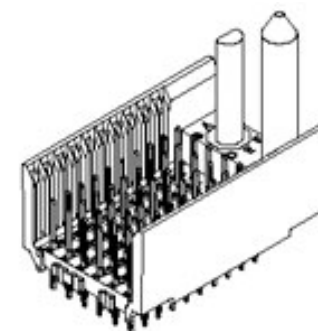


image - Reference only

Series

**EU RoHS**

**ELV and RoHS Compliant**  
**REACH SVHC**  
 Not Reviewed  
**Halogen-Free Status**

**China RoHS**



**Not Reviewed**

**Need more information on product environmental compliance?**

Email [productcompliance@molex.com](mailto:productcompliance@molex.com)  
 For a multiple part number RoHS Certificate of Compliance, [click here](#)

Please visit the [Contact Us](#) section for any non-product compliance questions.

**Search Parts in this Series**

75196Series

**Mates With**

75189 VHDM® Lite Board-to-Board Daughtercard

**Application Tooling | FAQ**

*Tooling specifications and manuals are found by selecting the products below. Crimp Height Specifications are then contained in the Application Tooling Specification document.*

**Global**

Description	Product #
VHDM® Signal Pin	<a href="#">0622015700</a>
Insertion Repair Tool	
VHDM® Insertion	<a href="#">0622020207</a>
Module for Advanced Mate Signal Header, 6 Row by 10 Wide, 20.00mm (.787")	

Temperature Range - Operating 105°C  
Termination Interface: Style Through Hole - Compliant Pin

### **Electrical**

Current - Maximum per Contact 1A  
Data Rate 622.0 Mbps  
Real Signals (per 25mm) 75  
Shielded No  
Voltage - Maximum 120V AC (RMS)/DC

### **Material Info**

### **Reference - Drawing Numbers**

Product Specification PS-74031-999  
Sales Drawing SD-75196-001

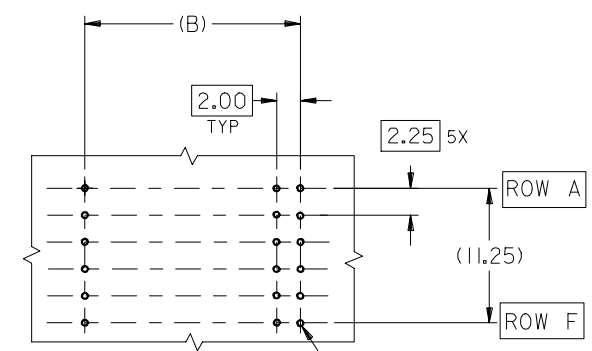
VHDM and Very High Density Metric are trademarks of Amphenol Corporation

This document was generated on 05/28/2010

**PLEASE CHECK [WWW.MOLEX.COM](http://WWW.MOLEX.COM) FOR LATEST PART INFORMATION**

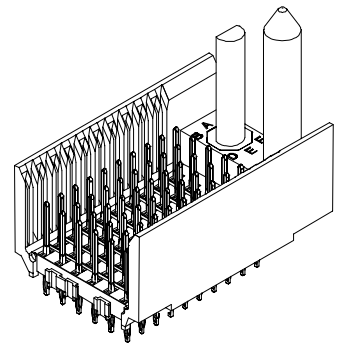
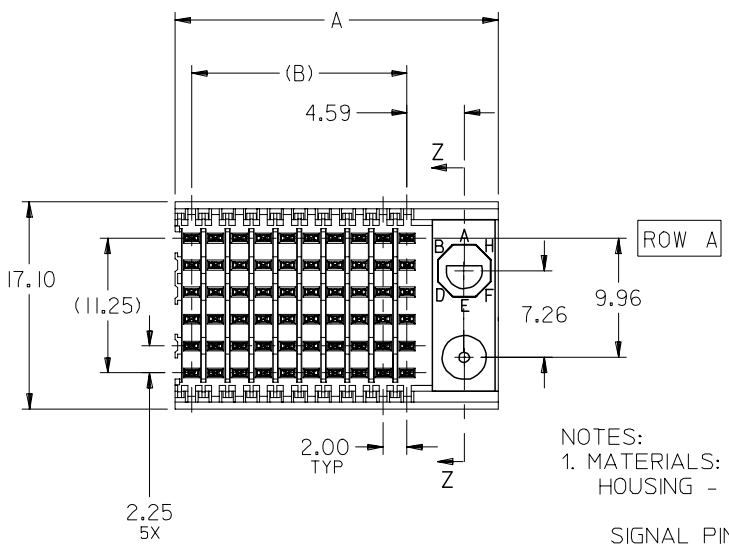
10 9 8 7 6 5 4 3 2 1

F  
E  
D  
C  
B  
A

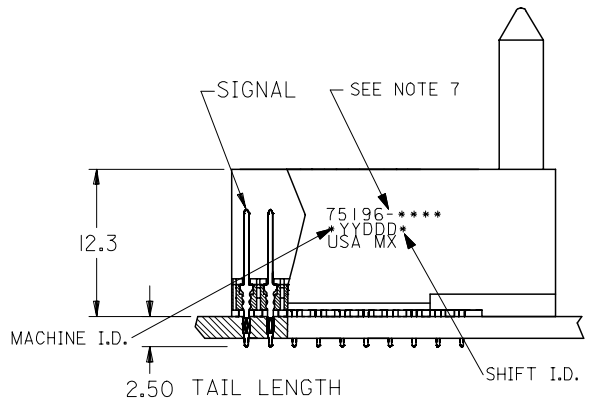
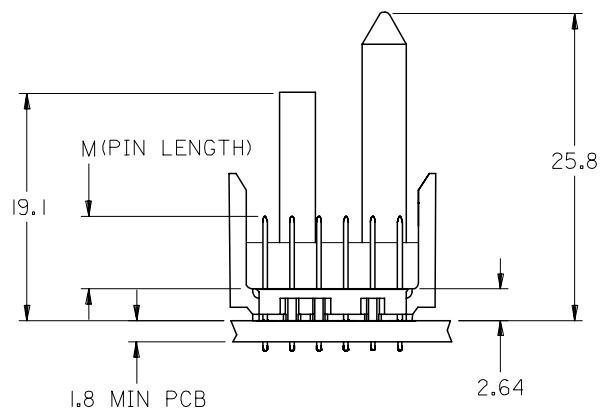


BACKPLANE HOLE PATTERN  
RECOMMENDED DIMENSIONS

Ø0.56 ±0.05 PTH  
Ø0.66 DRILL  
Ø1.00 PAD  
⊕ Ø0.10



- NOTES:
- MATERIALS:  
HOUSING - LIQUID CRYSTAL POLYMER (LCP),  
GLASS-FILLED, UL 94V-0, COLOR: BLACK  
SIGNAL PIN - COPPER ALLOY
  - FINISHES:  
CONTACT AREA: SELECTIVE GOLD (Au)  
PCB TAILS: SELECTIVE TIN/LEAD (Sn/Pb)  
OR SELECTIVE MATTE TIN (Sn)  
NICKEL (Ni) OVERALL.
  - THIS PART CONFORMS TO MOLEX PRODUCT SPECIFICATION PS-74031-999
  - FOR MIXED CONTACT LENGTHS CONSULT MOLEX FOR AVAILABILITY
  - FOR SPECIFIC MATERIAL NUMBERS & MATING INFORMATION REFER TO SHEET 2
  - PACKAGE PER PK-74058-003
  - EITHER MARK PART WITH PART NUMBER & DATE CODE APPROXIMATELY WHERE SHOWN OR PLACE LABEL ON THE TUBE.



ADD LEADFREE PINS EC NO: UCP2006-0059 DRWN: KMILVEY 2005/07/13 CHKD: 2005/07/13 APPR: SREED 2005/07/15	DESCRIPTION REV	QUALITY SYMBOLS	GENERAL TOLERANCES (UNLESS SPECIFIED)	DIMENSION STYLE	SCALE	DESIGN UNITS	THIRD ANGLE PROJECTION															
		▽=0 ▽=0	<table border="1"> <thead> <tr> <th></th> <th>mm</th> <th>INCH</th> </tr> </thead> <tbody> <tr> <td>4 PLACES</td> <td>± ---</td> <td>± ---</td> </tr> <tr> <td>3 PLACES</td> <td>± ---</td> <td>± ---</td> </tr> <tr> <td>2 PLACES</td> <td>± ---</td> <td>± ---</td> </tr> <tr> <td>1 PLACE</td> <td>± ---</td> <td>± ---</td> </tr> </tbody> </table>		mm	INCH	4 PLACES	± ---	± ---	3 PLACES	± ---	± ---	2 PLACES	± ---	± ---	1 PLACE	± ---	± ---	MM ONLY	2.5:1	METRIC	
			mm	INCH																		
		4 PLACES	± ---	± ---																		
3 PLACES	± ---	± ---																				
2 PLACES	± ---	± ---																				
1 PLACE	± ---	± ---																				
DRAFT WHERE APPLICABLE MUST REMAIN WITHIN DIMENSIONS	<table border="1"> <thead> <tr> <th>DATE</th> <th>BY</th> <th>TITLE</th> </tr> </thead> <tbody> <tr> <td>2003/01/17</td> <td>MBANDURA</td> <td></td> </tr> <tr> <td>2003/01/17</td> <td>CHECKED BY</td> <td></td> </tr> <tr> <td>2003/01/17</td> <td>NMARTIN</td> <td></td> </tr> <tr> <td>2003/01/17</td> <td>APPROVED BY</td> <td></td> </tr> <tr> <td>2003/01/17</td> <td>CBIXLER</td> <td></td> </tr> </tbody> </table>	DATE	BY	TITLE	2003/01/17	MBANDURA		2003/01/17	CHECKED BY		2003/01/17	NMARTIN		2003/01/17	APPROVED BY		2003/01/17	CBIXLER		VHDM LITE 6 ROW SHIELD END BACKPLANE SALES ASSEMBLY		
DATE	BY	TITLE																				
2003/01/17	MBANDURA																					
2003/01/17	CHECKED BY																					
2003/01/17	NMARTIN																					
2003/01/17	APPROVED BY																					
2003/01/17	CBIXLER																					
			MATERIAL NO. SEE SHEET 2	DOCUMENT NO. SD-75196-001	SHEET NO. 1 OF 2																	

9 8 7 6 5 4 3 2 1

THIS DRAWING CONTAINS INFORMATION THAT IS PROPRIETARY TO MOLEX INCORPORATED AND SHOULD NOT BE USED WITHOUT WRITTEN PERMISSION

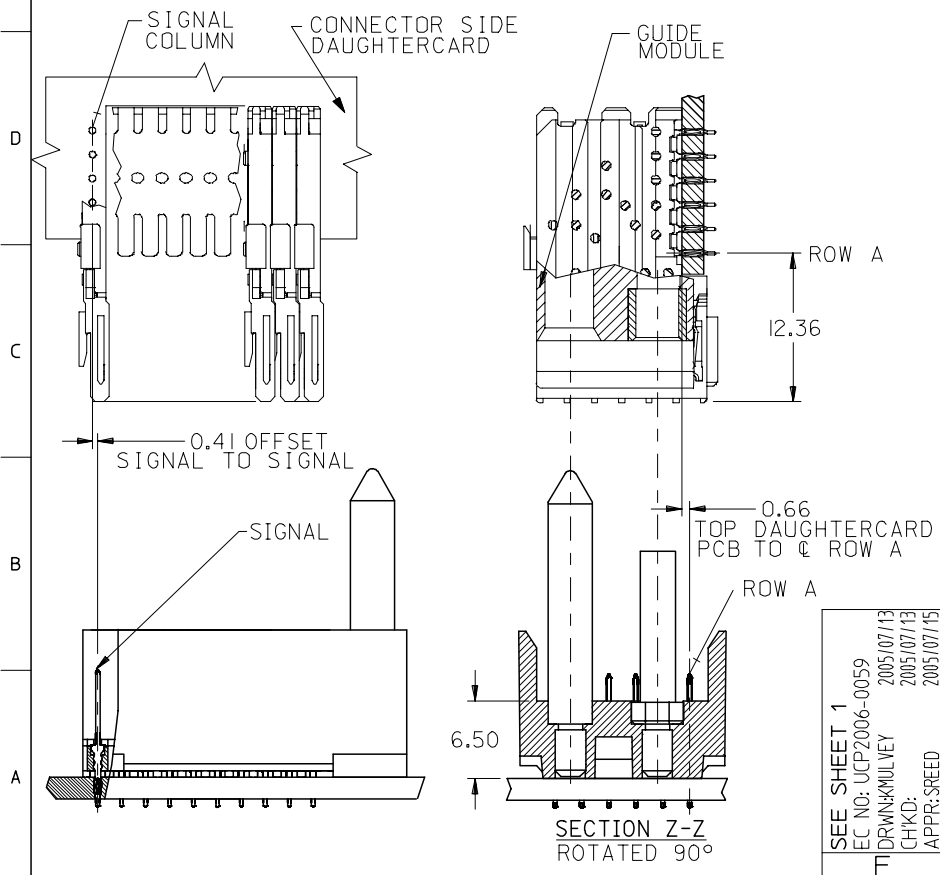
10 9 8 7 6 5 4 3 2 1

M/N 75196-( )	---0*	---1*	---2*	---3*	---4*	---5*	---6*	---7*	---8*
KEYING PIN ORIENTATION	O	A	B	C	D	E	F	G	H

75196 - \* \* \* \*

NUMBER OF COLUMNS/PLATING  
 10 = 10 COLUMN TIN/LEAD  
 25 = 25 COLUMN TIN/LEAD  
 90 = 10 COLUMN MATTE TIN  
 85 = 25 COLUMN MATTE TIN

CONTACT LOAD  
 (PIN HEIGHT)  
 1 = 4.75  
 2 = 6.25  
 3 = 4.25  
 4 = 5.15



PART NUMBER	COLUMN	NUMBER OF SIGNAL PIN	NUMBER OF SHIELD	A	B	M	Au (um) THICKNESS	Sn (um) THICKNESS
75196-*0*1	10	60	0	27.00	18.00	4.75	0.76	0.76-1.52
75196-*5*1	25	150	0	57.00	48.00	4.75	0.76	
75196-*0*2	10	60	0	27.00	18.00	6.25	0.76	
75196-*5*2	25	150	0	57.00	48.00	6.25	0.76	
75196-*0*3	10	60	0	27.00	18.00	4.25	0.76	
75196-*5*3	25	150	0	57.00	48.00	4.25	0.76	
75196-*0*4	10	60	0	27.00	18.00	5.15	0.76	
75196-*5*4	25	150	0	57.00	48.00	5.15	0.76	
							---	
							---	
							---	
							---	

SEE SHEET 1 EC NO: UCP2006-0059 DRWN: KMILVEY CHKD: 2005/07/13 APPR: SREED 2005/07/15	QUALITY SYMBOLS ▽=0 ▽=0	GENERAL TOLERANCES (UNLESS SPECIFIED) mm INCH 4 PLACES ± --- ± --- 3 PLACES ± --- ± --- 2 PLACES ± --- ± --- 1 PLACE ± --- ± --- ANGULAR ±1/2°	DIMENSION STYLE MM ONLY DRAWN BY: MBANDURA DATE: 2003/01/17 CHECKED BY: NMARTIN DATE: 2003/01/17 APPROVED BY: CBIXLER DATE: 2003/01/17	SCALE 2.5:1 TITLE VHDM LITE 6 ROW SHIELD END BACKPLANE SALES ASSEMBLY	DESIGN UNITS METRIC THIRD ANGLE PROJECTION
	DRAFT WHERE APPLICABLE MUST REMAIN WITHIN DIMENSIONS		MATERIAL NO. SEE CHART	DOCUMENT NO. SD-75196-001	SHEET NO. 2 OF 2
	MOLEX INCORPORATED				
	THIS DRAWING CONTAINS INFORMATION THAT IS PROPRIETARY TO MOLEX INCORPORATED AND SHOULD NOT BE USED WITHOUT WRITTEN PERMISSION				

9 8 7 6 5 4 3 2 1



**Стандарт  
Электрон  
Связь**

Мы молодая и активно развивающаяся компания в области поставок электронных компонентов. Мы поставляем электронные компоненты отечественного и импортного производства напрямую от производителей и с крупнейших складов мира.

Благодаря сотрудничеству с мировыми поставщиками мы осуществляем комплексные и плановые поставки широчайшего спектра электронных компонентов.

Собственная эффективная логистика и склад в обеспечивает надежную поставку продукции в точно указанные сроки по всей России.

Мы осуществляем техническую поддержку нашим клиентам и предпродажную проверку качества продукции. На все поставляемые продукты мы предоставляем гарантию .

Осуществляем поставки продукции под контролем ВП МО РФ на предприятия военно-промышленного комплекса России , а также работаем в рамках 275 ФЗ с открытием отдельных счетов в уполномоченном банке. Система менеджмента качества компании соответствует требованиям ГОСТ ISO 9001.

Минимальные сроки поставки, гибкие цены, неограниченный ассортимент и индивидуальный подход к клиентам являются основой для выстраивания долгосрочного и эффективного сотрудничества с предприятиями радиоэлектронной промышленности, предприятиями ВПК и научно-исследовательскими институтами России.

С нами вы становитесь еще успешнее!

**Наши контакты:**

**Телефон:** +7 812 627 14 35

**Электронная почта:** [sales@st-electron.ru](mailto:sales@st-electron.ru)

**Адрес:** 198099, Санкт-Петербург,  
Промышленная ул, дом № 19, литера Н,  
помещение 100-Н Офис 331