

System Motor Driver ICs for CD / DVD / Blu-ray Drive and Recorder

System Motor Driver IC for Half Height Drive (Sensor less)



BD7755RFV

No.10012EAT01

●Description

BD7755RFV are ICs, developed for the spindle motor, actuator coil, tilt coil, stepping motor, SA stepping motor and the loading motor drive of the desktop Blu-ray drive and Blu-ray recorder. Spindle driver adopted sensorless drive system, and the hall sensor (3 pieces) of the motor position detection is not needed, it is suitable for making of flexible cable conserve wiring and the reductions of external parts. The low rotation mode is built in, and stability and low-speed a rotation is achieved. The spindle, stepping and SA stepping use power MOSFET to reduce power consumption and the actuator, tilt, and loading driver use a linear BTL drive system to reduce noise.

●Features

- 1) The low-speed stability rotation is achieved with built-in the low rotation mode.
- 2) The hall sensor is unnecessary according to 3 aspect sensorless drive system.
- 3) The spindle motor driver achieves stability high speed start by ROHM's own energizing method.
- 4) Highly effective spindle, stepping and SA stepping is achieved by PWM control driver. And the output current detection resistance of stepping and SA stepping is unnecessary by built-in internal detection circuit.
- 5) The actuator, tilt and loading driver achieve low noise by using linear BTL drive system.
- 6) ON/OFF of loading and other channels, brake mode of spindle driver and standby mode are selectable by the two control terminals.
- 7) Built-in thermal-shut down circuit.
- 8) Improved heat radiation efficiency utilizing HTSSOP package.

●Applications

For desktop Blu-ray drive

●Absolute maximum ratings

| Parameter | Symbol | Ratings | Unit |
|---|----------------|-----------|------|
| POWER MOS power supply voltage 1 | SPVM, SLVM | 15 #1 | V |
| POWER MOS power supply voltage 2 | SAVM | 7 #2 | V |
| Preblock/BTL power block power supply voltage | Vcc, AVM, LDVM | 15 | V |
| PWM control block power supply voltage | DVcc | 7 | V |
| Power dissipation | Pd | 1.5 #3 | W |
| Operating temperature range | Topr | -20 ~ 70 | °C |
| Storage temperature | Tstg | -55 ~ 150 | °C |
| Junction temperature | Tjmax | 150 | °C |

#1 POWER MOS output terminals (40~43pin, 46~48pin) are contained.

#2 POWER MOS output terminals (35~38pin) are contained.

#3 PCB mounting (70mmX70mmX1.6mm, occupied copper foil is less than 3%, glass epoxy standard board).
Reduce by 12mW/°C over 25°C

●Recommended operating conditions

(Set the power supply voltage with consideration to power dissipation)

| Parameter | Symbol | Ratings | | | Unit |
|--|-----------|---------|--------|--------|------|
| | | Min. | Typ. | Max. | |
| Spindle / Sled motor driver power block power supply voltage | SPVM,SLVM | — | Vcc #4 | — | V |
| Pre block power supply voltage | Vcc | 10.8 | 12 | 13.2 | V |
| Loading driver power block supply voltage | LDVM | 4.3 | 5.0 | Vcc | V |
| SA, Actuator driver power block power supply voltage | SAVM,AVM | 4.3 | 5.0 | 5.5 | V |
| PWM control block power supply voltage | DVcc | 4.3 | 5.0 | 5.5 | V |
| Spindle driver output current | Iosp | — | 1.0 | 2.5 #5 | A |
| Actuator, SA, sled, loading motor driver output current | Ioo | — | 0.5 | 0.8 | A |

#4 Set the same supply voltage to SPVM, SLVM and Vcc.

#5 The current is guaranteed 3.5A in case of the Short-circuit braking mode and the current which is turned on/off in a duty-ratio of less than 1/10 with a maximum on-time of 5msec

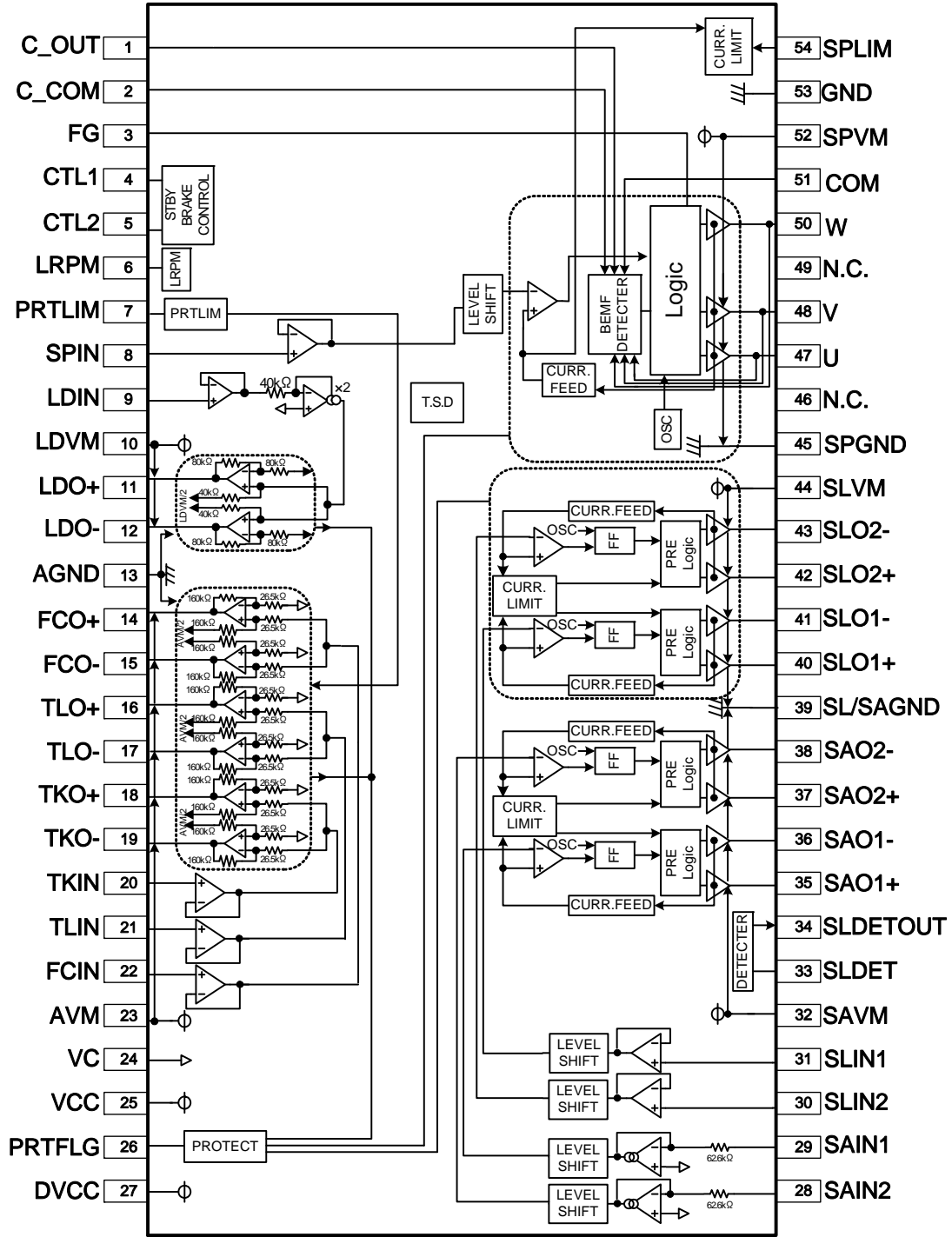
●Electrical characteristics

(Unless otherwise noted, Ta=25°C, Vcc=SPVM=SLVM=12V, DVcc=AVM=SAVM= LDVM=5V, Vc=1.65V, RL=8Ω, RLSP=2Ω)

| Parameter | Symbol | Limits | | | Unit | Conditions |
|--|--------|--------|------|------|------|-----------------------|
| | | MIN. | TYP. | MAX. | | |
| Circuit current | | | | | | |
| Quiescent current 1 | IQ1 | — | 14 | 30 | mA | Vcc>Loading OFF) |
| Quiescent current 2 | IQ2 | — | 7.5 | 16 | mA | Vcc>Loading ON) |
| Quiescent current 3 | IQ3 | — | 7 | 14 | mA | DVcc |
| Standby-on current 1 | IST1 | — | 1.1 | 2.4 | mA | Vcc |
| Standby-on current 2 | IST2 | — | 0.16 | 0.4 | mA | DVcc |
| Sled driver block | | | | | | |
| Input dead zone (one side) | VDZSL | 0 | 30 | 80 | mV | |
| Input output gain | gmSL | 0.75 | 1.0 | 1.25 | A/V | |
| Output On resistor (top and bottom) | RONSL | — | 2.2 | 3.8 | Ω | IL=500mA |
| Output limit current | ILIMSL | 0.8 | 1.1 | 1.4 | A | |
| PWM frequency | fosc | — | 100 | — | kHz | |
| Spindle driver block<Torque instruction input / output> | | | | | | |
| Input dead zone (one side)1 | VDZSP1 | 20 | 55 | 90 | mV | VLRPM=L |
| Input dead zone (one side)2 | VDZSP2 | 20 | 240 | 450 | mV | VLRPM=H |
| Input output gain 'H' | gmSPH | 2.68 | 3.5 | 4.32 | A/V | VLRPM=L |
| Input output gain 'L' | gmSPL | 0.53 | 0.7 | 0.87 | A/V | VLRPM=H |
| Output On resistor (top and bottom) | RONSP | — | 1.0 | 1.7 | Ω | IL=500mA |
| Output limit current | ILIMSP | 1.35 | 1.6 | 1.85 | A | RSPLIM=1.5kΩ |
| PWM frequency | fosc | — | 167 | — | kHz | |
| FG output, PRTFLG output | | | | | | |
| High voltage | VOH | — | 4.9 | — | V | 100kΩ pull up to DVcc |
| Low voltage | VOL | — | 0.1 | — | V | |
| Focus / Tracking / Tilt driver block | | | | | | |
| Output offset voltage | VOFA | -50 | 0 | 50 | mV | |
| Output saturation voltage (top and bottom) | VOHA | — | 0.9 | 1.8 | V | IL=500mA |
| Voltage gain H | GVAH | 19.6 | 21.6 | 23.6 | dB | VLRPM=L |
| Voltage gain L | GVAL | 13.6 | 15.6 | 17.6 | dB | VLRPM=H |
| SA stepping driver block | | | | | | |
| Input dead zone (one side) | VDZSA | 40 | 80 | 160 | mV | |
| Input output gain | gmSA | 0.15 | 0.2 | 0.25 | A/V | |
| Output On resistor (top and bottom) | RONSA | — | 1.3 | 2.5 | Ω | IL=200mA |
| Output limit current | ILIMSA | 0.28 | 0.4 | 0.52 | A | |
| PWM frequency | fosc | — | 100 | — | kHz | |
| Loading driver block | | | | | | |
| Output offset voltage | VOFLD | -50 | 0 | 50 | mV | |
| Output saturation voltage (top and bottom) 1 | VOLD1 | — | 0.7 | 1.6 | V | IL=500mA LDVM=5V |
| Output saturation voltage (top and bottom) 2 | VOLD2 | — | 2.1 | 3.6 | V | IL=500mA LDVM=12V |
| Voltage gain | GVLD | 15.5 | 17.5 | 19.5 | dB | |
| CTL1,CTL2, LRPM | | | | | | |
| Input high voltage | VIH | 2.5 | — | 3.7 | V | |
| Input low voltage | VIL | GND | — | 0.5 | V | |
| Others | | | | | | |
| VC drop-muting | VMVC | 0.4 | 0.7 | 1.0 | V | |
| Vcc drop-muting | VMVcc | 3.45 | 3.85 | 4.25 | V | |

*This product is not designed to be radiation-resistant.

●Block diagram

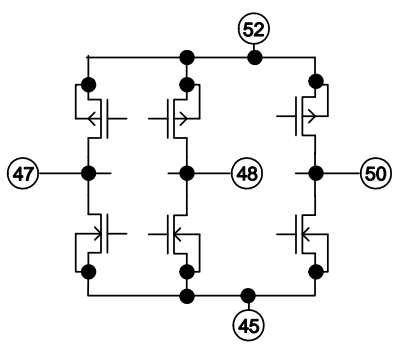
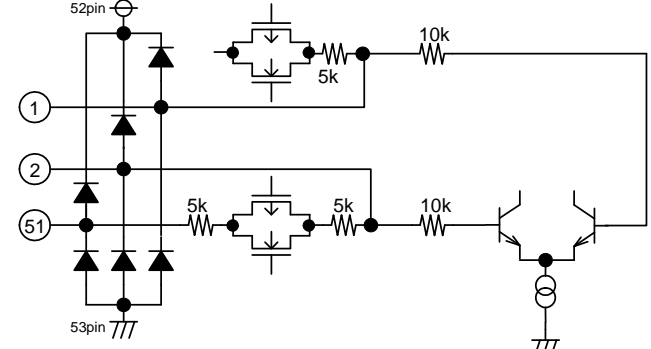
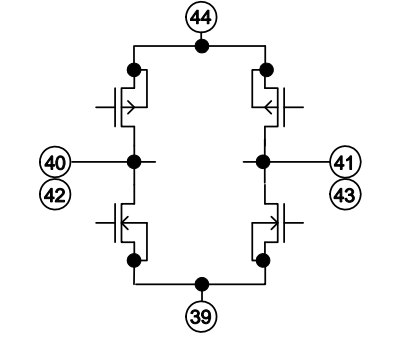
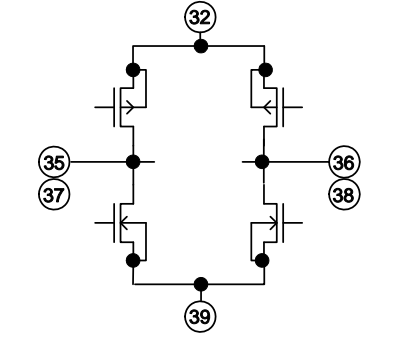
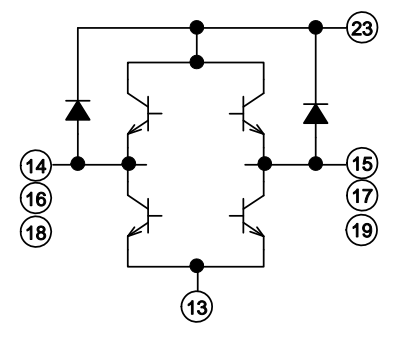
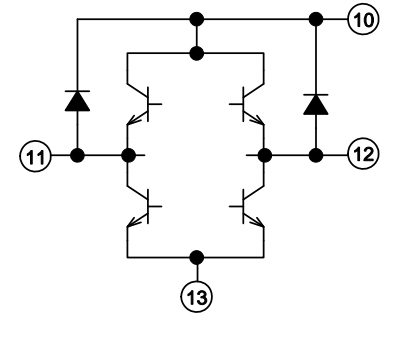
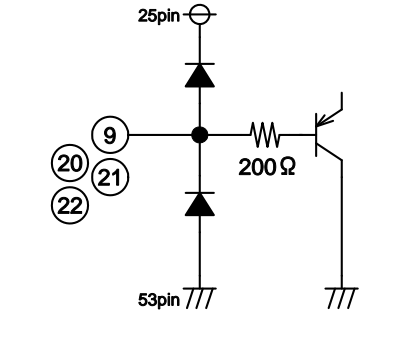
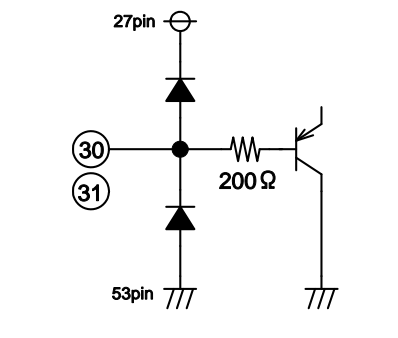
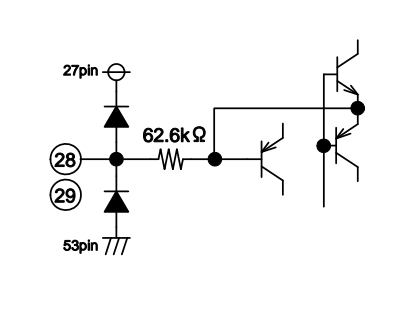
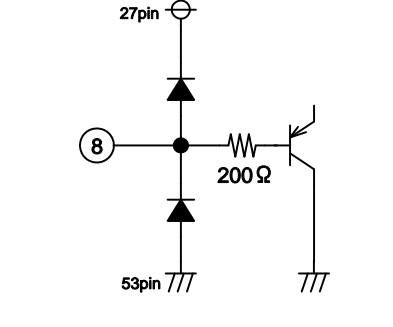
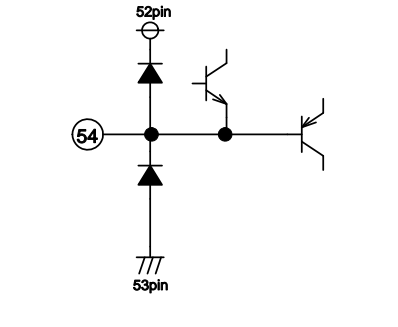


● Pin description

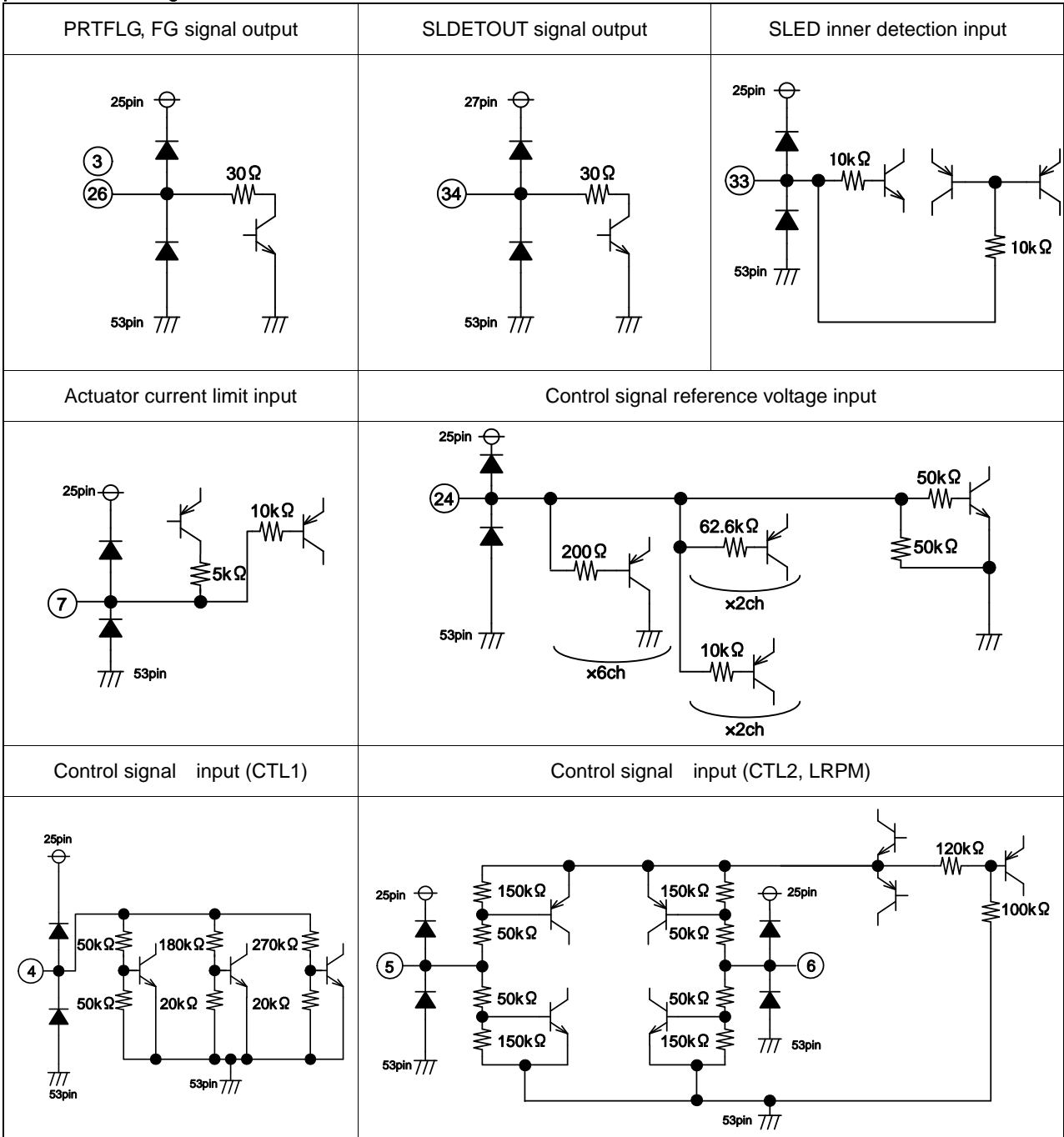
| No. | Symbol | Description | No. | Symbol | Description |
|-----|--------|--|-----|----------|---|
| 1 | C_OUT | Smooth capacitor connection terminal (output side) | 28 | SAIN2 | SA driver 2 input |
| 2 | C_COM | Smooth capacitor connection terminal (com side) | 29 | SAIN1 | SA driver 1 input |
| 3 | FG | Frequency generator output | 30 | SLIN2 | Sled driver 2 input |
| 4 | CTL1 | Driver logic control 1 input | 31 | SLIN1 | Sled driver 1 input |
| 5 | CTL2 | Driver logic control 2 input | 32 | SAVM | SA driver power block power supply |
| 6 | LRPM | Low rotation mode change terminal | 33 | SLDET | Sled motor detection signal control input |
| 7 | PRTLIM | Adjustable resistor connection for actuator protection | 34 | SLDETOUT | Sled motor detection signal output |
| 8 | SPIN | Spindle driver input | 35 | SAO1+ | SA driver 1 positive output |
| 9 | LDIN | Loading driver input | 36 | SAO1- | SA driver 1 negative output |
| 10 | LDVM | Loading driver block power supply | 37 | SAO2+ | SA driver 2 positive output |
| 11 | LDO+ | Loading driver positive output | 38 | SAO2- | SA driver 2 negative output |
| 12 | LDO- | Loading driver negative output | 39 | SL/SAGND | Sled/SA driver block pre and power ground |
| 13 | AGND | BTL driver block GND | 40 | SLO1+ | Sled driver 1 positive output |
| 14 | FCO+ | Focus driver positive output | 41 | SLO1- | Sled driver 1 negative output |
| 15 | FCO- | Focus driver negative output | 42 | SLO2+ | Sled driver 2 positive output |
| 16 | TLO+ | Tilt driver positive output | 43 | SLO2- | Sled driver 2 negative output |
| 17 | TLO- | Tilt driver negative output | 44 | SLVM | Sled motor driver power supply |
| 18 | TKO+ | Tracking driver positive output | 45 | SPGND | Spindle driver power ground |
| 19 | TKO- | Tracking driver negative output | 46 | N.C. | N.C. |
| 20 | TKIN | Tracking driver input | 47 | U | Spindle driver output U |
| 21 | TLIN | Tilt driver input | 48 | V | Spindle driver output V |
| 22 | FCIN | Focus driver input | 49 | N.C. | N.C. |
| 23 | AVM | Actuator driver block power supply | 50 | W | Spindle driver output W |
| 24 | VC | Reference voltage input | 51 | COM | Motor coil center point input |
| 25 | Vcc | Pre block power supply | 52 | SPVM | Spindle driver power supply |
| 26 | PRTFLG | Protection flag output | 53 | GND | Pre block GND |
| 27 | DVcc | PWM block control power supply | 54 | SPLIM | Adjustable resistor connection for spindle driver current limit |

*Positive/negative of the output terminals is determined in reference to those of the input terminals.

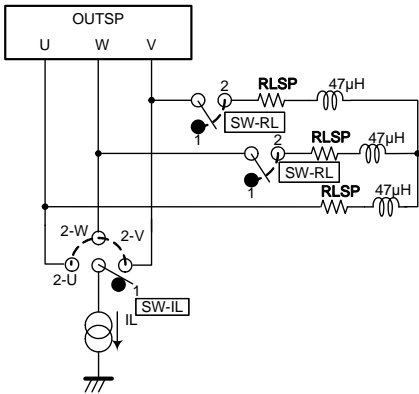
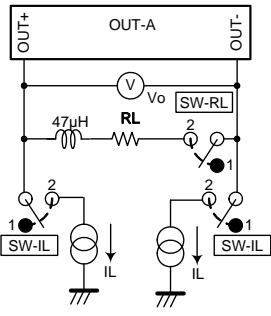
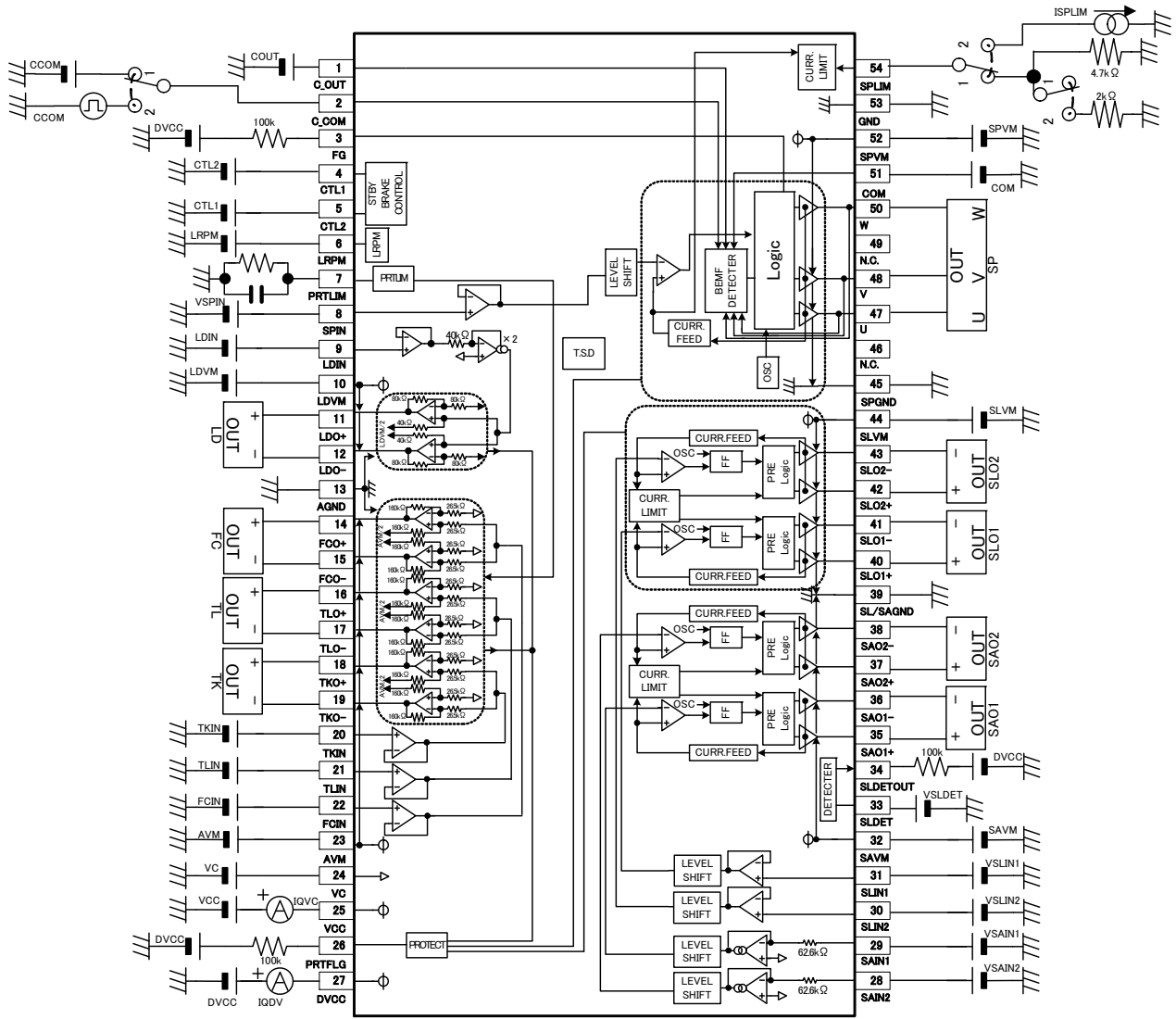
●Equivalent-circuit diagram of the terminals

| | | |
|---|---|---|
| <p>Three-phase motor driver output</p> | <p>BEMF voltage detection input</p> | |
|  |  | |
| <p>PWM driver output SLED1,2</p> | <p>PWM driver output SA1,2</p> | <p>BTL driver output FC,TK,TL</p> |
|  |  |  |
| <p>BTL driver output LD</p> | <p>BTL driver input FC,TK,TL,LD</p> | <p>PWM driver input SLED1,2</p> |
|  |  |  |
| <p>PWM driver input SA1,2</p> | <p>PWM driver input Spindle</p> | <p>Spindle current limit input</p> |
|  |  |  |

●Equivalent-circuit diagram of the terminals



● Test circuit



●Functional description

1-1. Driver logic control terminal 1 and 2 (CTL1,2)

All drivers and spindle-drive braking modes can be switched on/off by inputting combinations of H-level signal (higher than 2.5V and lower than 3.7V), L-level signal (lower than 0.5V) and HiZ signal (open) to these terminals.

• Driver ON/OFF logic table

| mode | CTL1 | CTL2 | SP | SL(2ch) | ACT(3ch) | SA(2ch) | LOADING | |
|------|--------|--------|----|---------|----------|---------|---------|-------|
| ① | L, HiZ | L, HiZ | × | × | × | × | × | |
| ② | H | L | × | ○ | × | × | ○ | |
| ③ | H | HiZ | ○ | ○ | ○ | × | × | |
| ④ | L, HiZ | H | ○ | ○ | ○ | ○ | × | ○:ON |
| ⑤ | H | H | ○ | ○ | ○ | ○ | × | ×:OFF |

- ① Stand-by mode
The IC is brought into stand-by mode, and its power dissipation can be limited.
- ② Drivers muting
All output channels, except the loading and sled motor are muted and their outputs are turned off.
- ③ SA mute mode
The loading and SA driver are muted.
- ④⑤ Loading OFF mode
Only the loading driver is muted.

• Spindle braking mode table

| mode | CTL1 | CTL2 | SPIN > VC | SPIN < VC |
|------|--------|------|-----------------------|--|
| ③ | H | HiZ | Forward-rotation mode | Reverse-rotation braking mode (LRPM=L) |
| ④ | L, HiZ | H | | Short-circuit braking mode |
| ⑤ | H | H | | Reverse-rotation braking mode (LRPM=L) |

- ③⑤ Reverse-rotation braking mode (spindle)
When SPIN < VC, all output are shorted to SPVM in 4500rpm (Typ.) or more, in less than 4500rpm (Typ.) the output become reverse-rotation braking mode.
Rotation speed is less than 140rpm when SPIN < VC, all the output are shorted to SPVM. (However, the above-mentioned rotational speed is expressed in the case of 12pole motor.)
- ④ Short-circuit braking mode (spindle)
All the spindle driver outputs are shorted to SPVM when SPIN < VC.

1-2. Spindle output mode

The spindle output changes as follows by the setting of LRPM and SPIN. (CTL1=H,CTL2=H or HiZ)

| Rotation speed | 0rpm | 400rpm | 4500rpm |
|----------------|---------|-----------------|-----------------------------|
| Normal mode | SPIN>VC | 120° energizing | 150° energizing |
| | SPIN<VC | 120° energizing | 150° energizing Short brake |
| LRPM mode | SPIN>VC | 120° energizing | |
| | SPIN<VC | (H,Hi-Z,Hi-Z) | |

* PWM frequency becomes 30kHz (Typ.) in LRPM mode.
The torque at SPIN<VC becomes a counter torque

- ⑥ Low rotation mode
Please make to low rotation mode (LRPM=HI) after it starts in normal mode (LRPM=L).

1-3. Gain switching mode

Spindle driver and actuator driver can be switched on/off by inputting combinations of H-level signal (higher than 2.5V and lower than 3.7V), L-level signal (lower than 0.5V) and HiZ signal (open) to LRPM terminal.

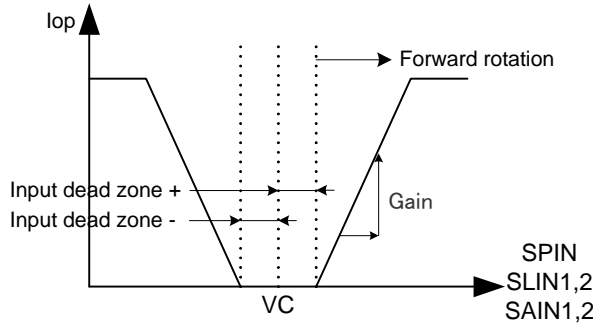
| LRPM | SP Gain | ACT Gain (3ch) |
|------|---------------------------|-----------------------|
| L | H gain (3.5A/V ± 0.82A/V) | H gain (21.6dB ± 2dB) |
| HiZ | L gain (0.7A/V ± 0.17A/V) | H gain (21.6dB ± 2dB) |
| H | L gain (0.7A/V ± 0.17A/V) | L gain (15.6dB ± 2dB) |

2. Output limit for spindle (SPLIM)

$$ILIMSP = \frac{A}{RSPLIM(\Omega)} (A) \quad A = 2420$$

3. Torque command (SPIN) (SLIN1,2) (SAIN1,2)

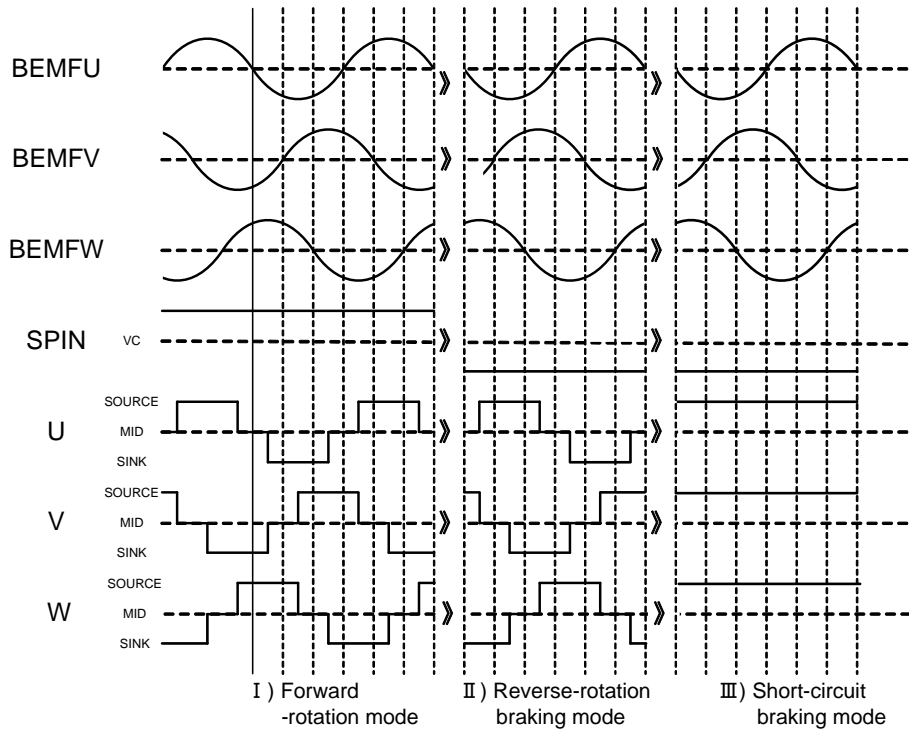
The relation between (the torque command inputs) and (Iosp or Ioo) is expressed in the figure below: The gain is defined by the inclination between two points. (Please exclude the dead zone from the input voltage when calculating Iop.)



4. FG output (FG)

3FG output begins after 90° degrees in electric angle, after the start mode ends and the BEMF detection starts. When the rotational speed becomes 24rpm (Max.) or less in case of brake, the FG output is fixed to high. The above-mentioned rotation speed applies to the 12 pole motor.

5. Input/Output timing chart



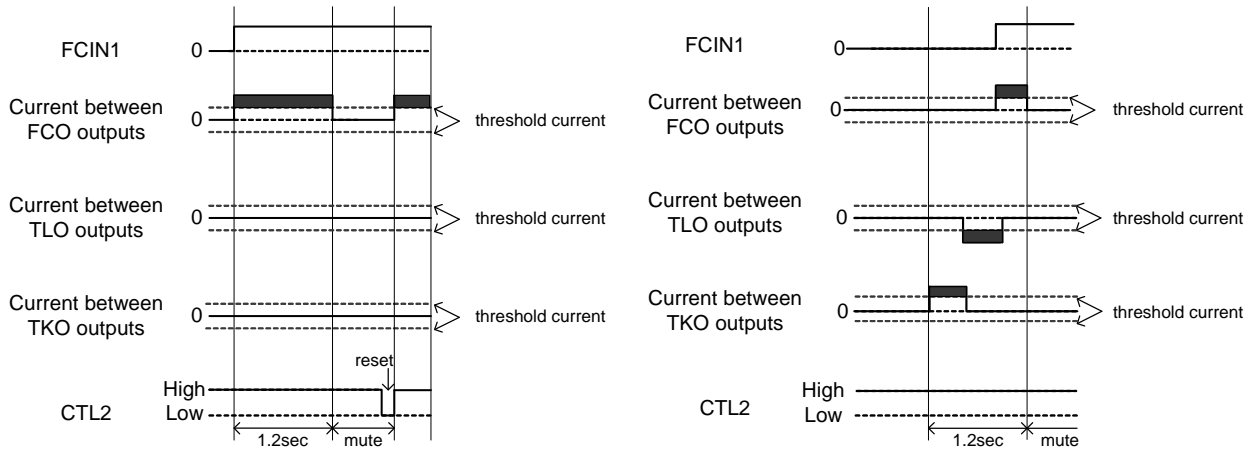
6. Protect system 1

It is a function to mute the actuator outputs when the IC outputs the current more than the setting threshold value IPRTLIM for 1.2sec because of the protection for the focus, the tracking, and the tilt coil. Outputs are muted similarly when the output current of two or three CHs continuously exceed the threshold for 1.2sec. It returns to normal operation by setting CTL2=L.

$$IPRTLIM = \frac{A}{RPRTLIM(\Omega)} (A) \quad A = 8750$$

| | |
|-----------------|-------------------------------|
| PRTLFLG(OUTPUT) | Actuator output (FCO/TKO/TLO) |
| H | OFF |
| L | active |

| | MIN. | TYP. | MAX. | Unit |
|---|------|------|------|------|
| Time until protection function operates | 1.0 | 1.2 | 1.4 | s |



7. Protect system 2

Function to protect against destruction of output terminal when output pin connects to GND or Vcc.

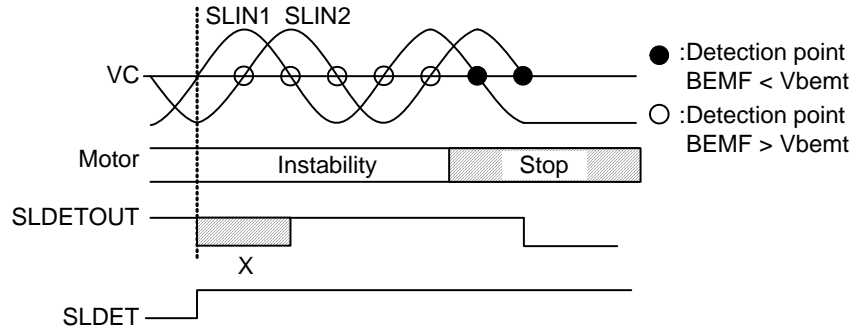
| | |
|-----------------|-----------------------------------|
| PRTLFLG(OUTPUT) | Spindle, Sled motor driver output |
| H | OFF |
| L | active |

- Spindle, Sled motor
- When SINK side POWER transistor has been turned on, if the output voltage (SPVM/2&SLVM/2<TYP> or more) are detected, the channel concerned will be turned off.
- When SOURCE side POWER transistor has been turned on, if the output voltage (SPVM/2&SLVM/2<TYP> or less) are detected, the channel concerned will be turned off.

8. Inner detection function

BEMF of the motor is monitored according to timing for the sled input signal to pass VC, and Sled is detected reaching the inner. The judgment voltage of BEMF can be set according to the voltage input to the terminal SLDET. If BEMF below the judgment voltage is detected twice continuously, it becomes SLDETOUT=L. The inner detection function can be turned off with SLDET<0.5V. When the motor starts, the terminal SLDETOUT might become L because BEMF is unstable. Please take measures such as installing the time of the mask when it starts for the detection prevention.

$$\text{Judgment voltage } V_{\text{bemf}} = 2.1 \times (\text{SLDET} - \text{VC}) + 0.49$$



9. PWM oscillation frequency

The PWM oscillation for driving the spindle and sled is free running.

The sled and SA oscillating frequency is 100kHz (Typ.)

The spindle oscillating frequency is 167kHz (Typ.)

10. Muting functions

a) VC-drop muting

When the voltage at VC terminal drops to a value lower than 0.7V (Typ.), the outputs of all the channels are turned off. Set the VC terminal voltage higher than 1.0V.

b) Vcc-drop muting

When the voltage at DVcc terminal and Vcc terminal drop to lower than 3.85V (Typ.), the outputs of all the channels are turned off.

c) Over voltage protection circuit

When the voltage at SPVM terminal exceed 14.1V (Typ.), only the spindle block output is turned off.

11. Thermal-shut down

Thermal-shutdown circuit (over-temperature protection circuit) is built in to prevent the IC from thermal breakdown. Use the IC according to the thermal loss allowed in the package. In case the IC is left running over the allowed loss, the junction temperature rises, and the thermal-shutdown circuit works at a junction temperature of 175°C(Typ.) (All other channel outputs are turned off)

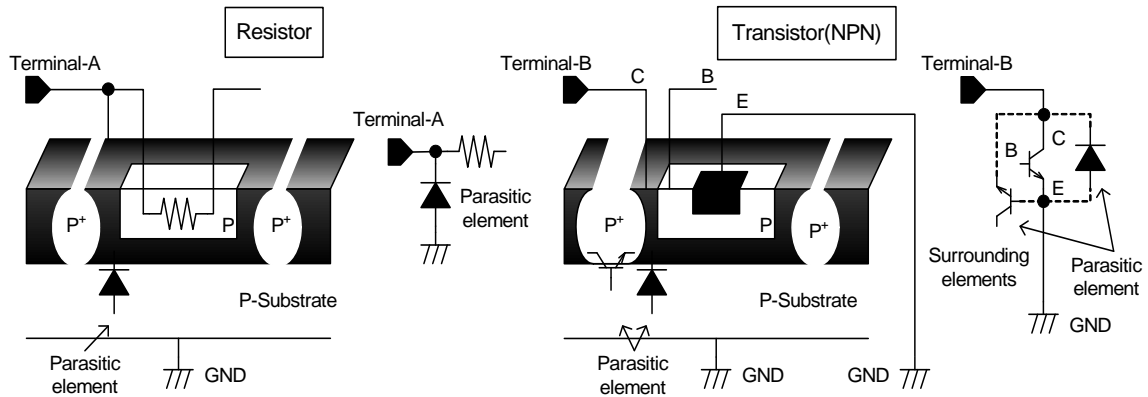
When the junction temperature drops to 150°C (Typ.) the IC resumes operation.

●Notes for use

1. Absolute maximum ratings
We are careful enough for quality control about this IC. So, there is no problem under normal operation, excluding that it exceeds the absolute maximum ratings. However, this IC might be destroyed when the absolute maximum ratings, such as impressed voltages (Vcc, PVcc) or the operating temperature range(Topr), is exceeded, and whether the destruction is short circuit mode or open circuit mode cannot be specified. Please take into consideration the physical countermeasures for safety, such as fusing, if a particular mode that exceeds the absolute maximum rating is assumed.
2. Power supply line
Due to switching and EMI noise generated by magnetic components (inductors and motors), using electrolytic and ceramic suppress filter capacitors(0.1μF) close to the IC power input terminals (Vcc and GND) is recommended. Please note: the electrolytic capacitor value decreases at lower temperatures. Current rush might flow momentarily by the order of turning on the power supply and the delay in IC with two or more power supplies. Note the capacity of the power supply coupling, width and drawing the power supply and the GND pattern wiring. Please make the power supply lines (where large current flow) wide enough to reduce the resistance of the power supply patterns, because the resistance of power supply pattern might influence the usual operation (output dynamic range etc...).
3. GND line
The ground line is where the lowest potential and transient voltages are connected to the IC.
4. Thermal design
Do not exceed the power dissipation (Pd) of the package specification rating under actual operation, and please design enough temperature margins.
5. Short circuit mode between terminals and wrong mounting
Do not mount the IC in the wrong direction and be careful about the reverse-connection of the power connector. Moreover, this IC might be destroyed when the dust short the terminals between them or GND
6. Radiation
Strong electromagnetic radiation can cause operation failures.
7. ASO(Area of Safety Operation.)
Do not exceed the maximum ASO and the absolute maximum ratings of the output driver.
8. TSD(Thermal shut-down)
The TSD is activated when the junction temperature (Tj) reaches 175°C(with 25°C hysteresis), and the output terminal is switched to Hi-z. The TSD circuit aims to intercept IC from high temperature. The guarantee and protection of IC are not purpose. Therefore, please do not use this IC after TSD circuit operates, nor use it for assumption that operates the TSD circuit.
9. Inspection by the set circuit board
The stress might hang to IC by connecting the capacitor to the terminal with low impedance. Then, please discharge electricity in each and all process. Moreover, in the inspection process, please turn off the power before mounting the IC, and turn on after mounting the IC. In addition, please take into consideration the countermeasures for electrostatic damage, such as giving the earth in assembly process, transportation or preservation.

10. Earth wiring pattern

This IC is a monolithic IC, and has P⁺ isolation and P substrate for the element separation. Therefore, a parasitic PN junction is formed in this P-layer and N-layer of each element. For instance, the resistor or the transistor is connected to the terminal as shown in the figure below. When the GND voltage potential is greater than the voltage potential at Terminals A or B, the PN junction operates as a parasitic diode. In addition, the parasitic NPN transistor is formed in said parasitic diode and the N layer of surrounding elements close to said parasitic diode. These parasitic elements are formed in the IC because of the voltage relation. The parasitic element operating causes the wrong operation and destruction. Therefore, please be careful so as not to operate the parasitic elements by impressing to input terminals lower voltage than GND (P substrate). Please do not apply the voltage to the input terminal when the power-supply voltage is not impressed. Moreover, please impress each input terminal lower than the power-supply voltage or equal to the specified range in the guaranteed voltage when the power-supply voltage is impressing.



Simplified structure of IC

11. Earth wiring pattern

Use separate ground lines for control signals and high current power driver outputs. Because these high current outputs that flows to the wire impedance changes the GND voltage for control signal. Therefore, each ground terminal of IC must be connected at the one point on the set circuit board. As for GND of external parts, it is similar to the above-mentioned.

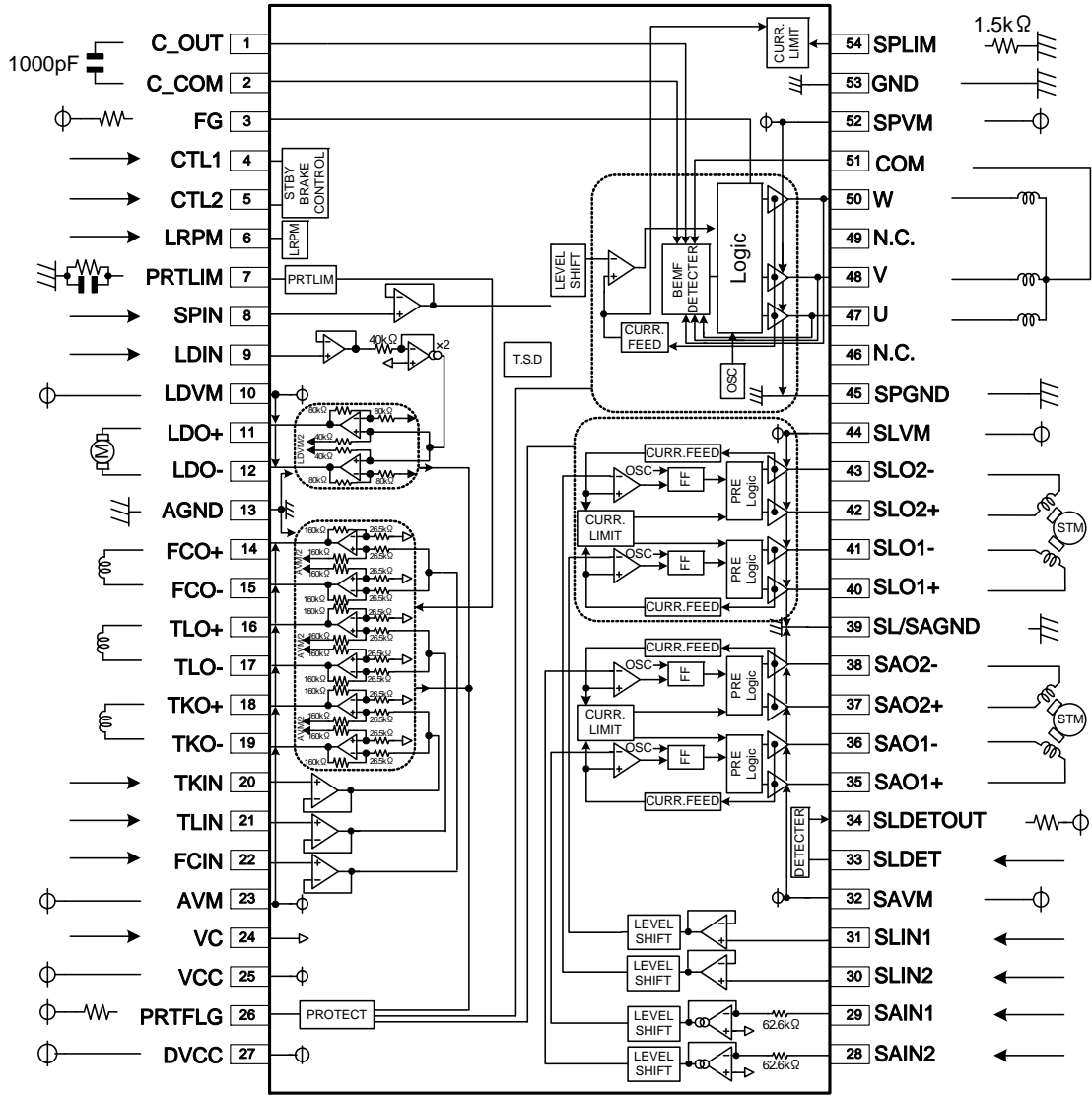
12. Reverse-rotation braking

In the case of reverse-rotation braking from high speed rotation, pay good attention to reverse electromotive force. Furthermore, fully check the voltage to be applied to the output terminal and consider the revolutions applied to the reverse-rotation brake.

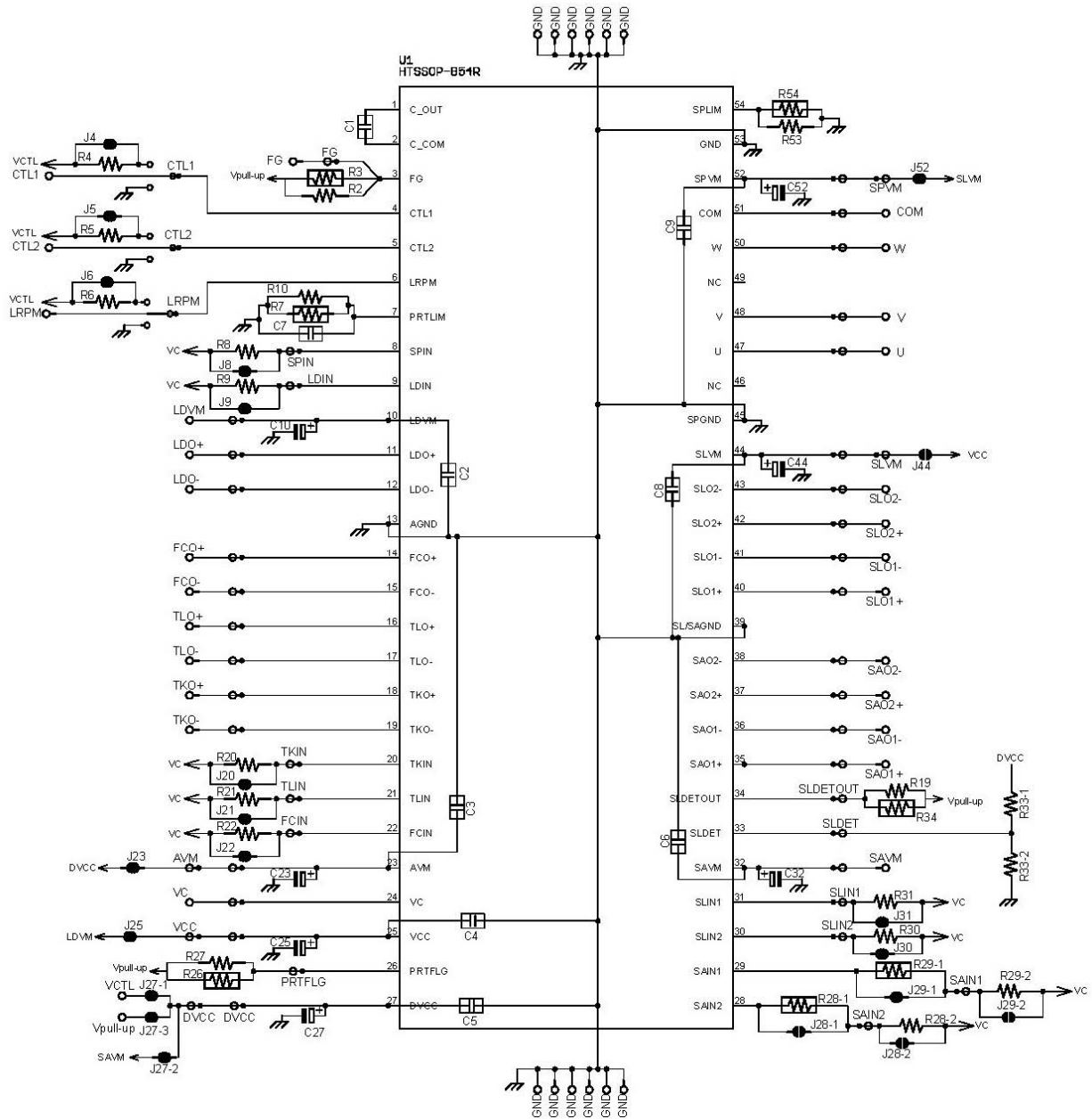
13. About the capacitor between SPVM and SPGND

The capacitor between SPVM and SPGND absorbs the change in a steep voltage and the current because of the PWM drive, as a result, there is a role to suppress the disorder of the SPVM voltage. However, the effect falls by the influence of the wiring impedance etc, if the capacitor becomes far from IC. Please examine the capacitor between SPVM and SPGND to arrange it near IC.

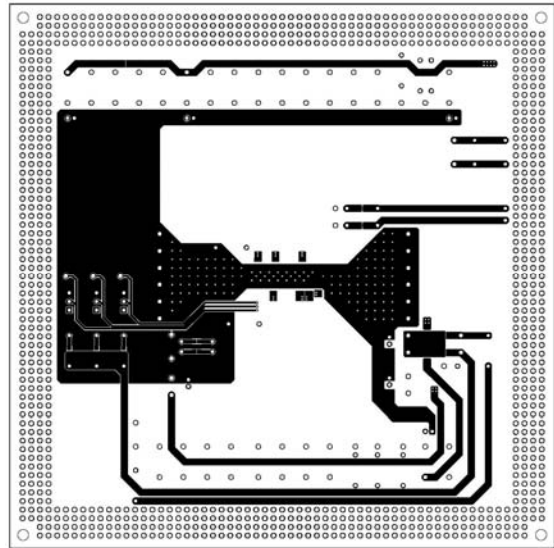
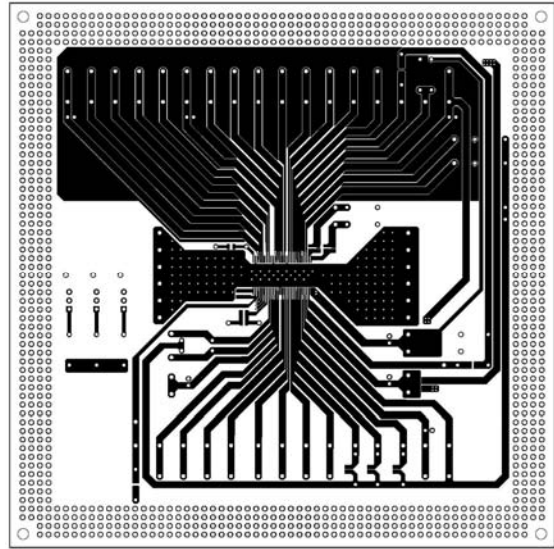
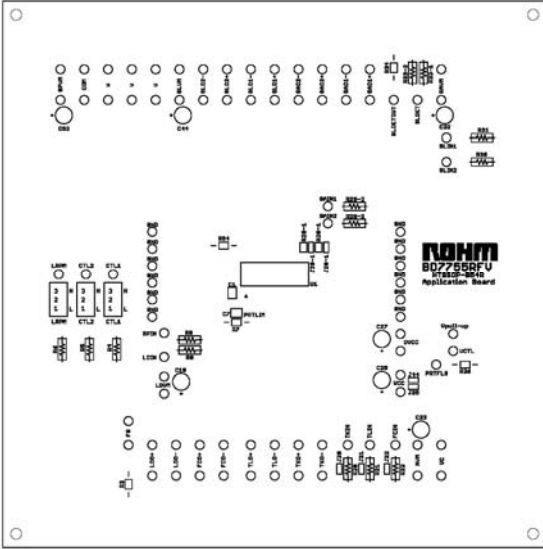
● Application circuit



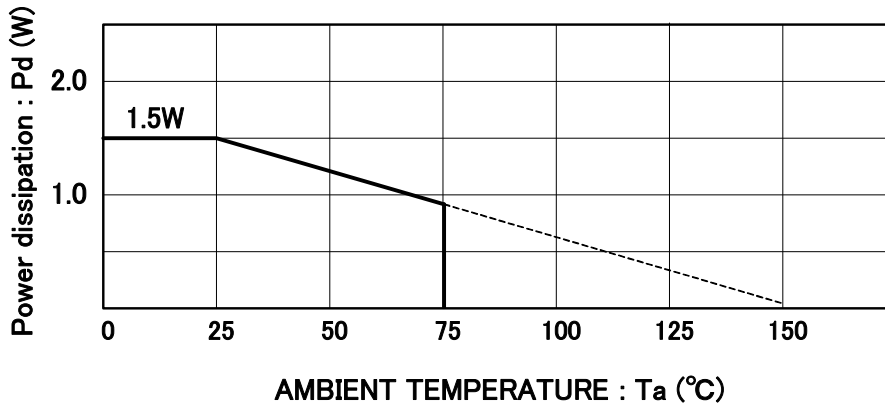
●Connecting wires of application board



●Pattern drawing of application board



●Power dissipation reduction

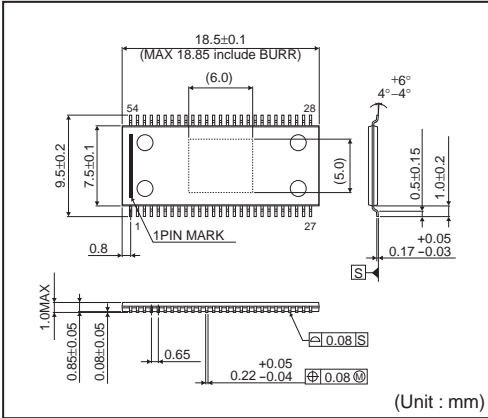


*70mm × 70mm, t=1.6mm, occupied copper foil is less than 3%, glass epoxy mounting.

●Ordering part number

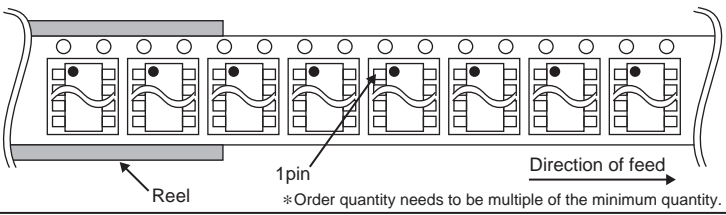
| | | | | | | | | | | | |
|----------|---|------------------|---|---|---|-----------------------------|---|---|--|---|---|
| B | D | 7 | 7 | 5 | 5 | R | F | V | - | E | 2 |
| Part No. | | Part No. 7755 | | | | Package RFV: HTSSOP-B54R | | | Packaging and forming specification E2: Embossed tape and reel (HTSSOP-B54R) | | |

HTSSOP-B54R



<Tape and Reel information>

| | |
|-------------------|---|
| Tape | Embossed carrier tape (with dry pack) |
| Quantity | 1500pcs |
| Direction of feed | E2 (The direction is the 1pin of product is at the upper left when you hold reel on the left hand and you pull out the tape on the right hand) |



Notes

No copying or reproduction of this document, in part or in whole, is permitted without the consent of ROHM Co.,Ltd.

The content specified herein is subject to change for improvement without notice.

The content specified herein is for the purpose of introducing ROHM's products (hereinafter "Products"). If you wish to use any such Product, please be sure to refer to the specifications, which can be obtained from ROHM upon request.

Examples of application circuits, circuit constants and any other information contained herein illustrate the standard usage and operations of the Products. The peripheral conditions must be taken into account when designing circuits for mass production.

Great care was taken in ensuring the accuracy of the information specified in this document. However, should you incur any damage arising from any inaccuracy or misprint of such information, ROHM shall bear no responsibility for such damage.

The technical information specified herein is intended only to show the typical functions of and examples of application circuits for the Products. ROHM does not grant you, explicitly or implicitly, any license to use or exercise intellectual property or other rights held by ROHM and other parties. ROHM shall bear no responsibility whatsoever for any dispute arising from the use of such technical information.

The Products specified in this document are intended to be used with general-use electronic equipment or devices (such as audio visual equipment, office-automation equipment, communication devices, electronic appliances and amusement devices).

The Products specified in this document are not designed to be radiation tolerant.

While ROHM always makes efforts to enhance the quality and reliability of its Products, a Product may fail or malfunction for a variety of reasons.

Please be sure to implement in your equipment using the Products safety measures to guard against the possibility of physical injury, fire or any other damage caused in the event of the failure of any Product, such as derating, redundancy, fire control and fail-safe designs. ROHM shall bear no responsibility whatsoever for your use of any Product outside of the prescribed scope or not in accordance with the instruction manual.

The Products are not designed or manufactured to be used with any equipment, device or system which requires an extremely high level of reliability the failure or malfunction of which may result in a direct threat to human life or create a risk of human injury (such as a medical instrument, transportation equipment, aerospace machinery, nuclear-reactor controller, fuel-controller or other safety device). ROHM shall bear no responsibility in any way for use of any of the Products for the above special purposes. If a Product is intended to be used for any such special purpose, please contact a ROHM sales representative before purchasing.

If you intend to export or ship overseas any Product or technology specified herein that may be controlled under the Foreign Exchange and the Foreign Trade Law, you will be required to obtain a license or permit under the Law.



Thank you for your accessing to ROHM product informations.
More detail product informations and catalogs are available, please contact us.

ROHM Customer Support System

<http://www.rohm.com/contact/>



Стандарт Электрон Связь

Мы молодая и активно развивающаяся компания в области поставок электронных компонентов. Мы поставляем электронные компоненты отечественного и импортного производства напрямую от производителей и с крупнейших складов мира.

Благодаря сотрудничеству с мировыми поставщиками мы осуществляем комплексные и плановые поставки широчайшего спектра электронных компонентов.

Собственная эффективная логистика и склад в обеспечивает надежную поставку продукции в точно указанные сроки по всей России.

Мы осуществляем техническую поддержку нашим клиентам и предпродажную проверку качества продукции. На все поставляемые продукты мы предоставляем гарантию .

Осуществляем поставки продукции под контролем ВП МО РФ на предприятия военно-промышленного комплекса России , а также работаем в рамках 275 ФЗ с открытием отдельных счетов в уполномоченном банке. Система менеджмента качества компании соответствует требованиям ГОСТ ISO 9001.

Минимальные сроки поставки, гибкие цены, неограниченный ассортимент и индивидуальный подход к клиентам являются основой для выстраивания долгосрочного и эффективного сотрудничества с предприятиями радиоэлектронной промышленности, предприятиями ВПК и научно-исследовательскими институтами России.

С нами вы становитесь еще успешнее!

Наши контакты:

Телефон: +7 812 627 14 35

Электронная почта: sales@st-electron.ru

Адрес: 198099, Санкт-Петербург,
Промышленная ул, дом № 19, литера Н,
помещение 100-Н Офис 331