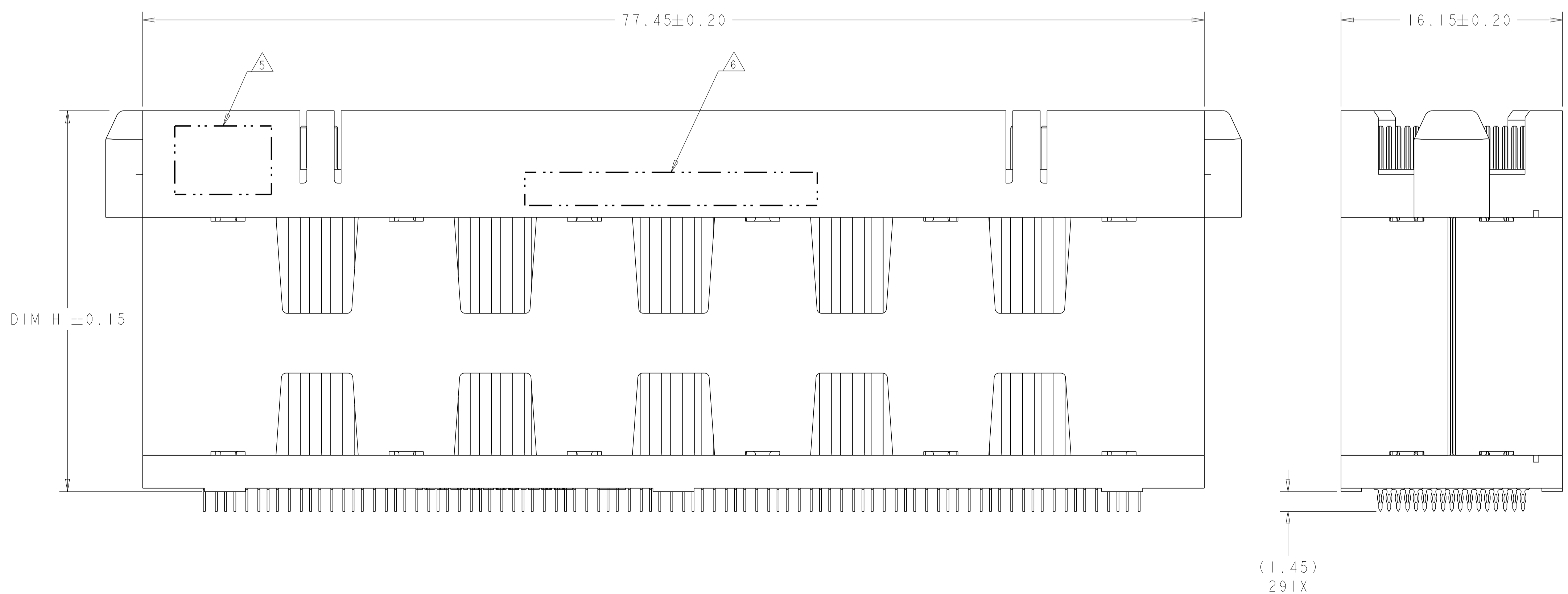
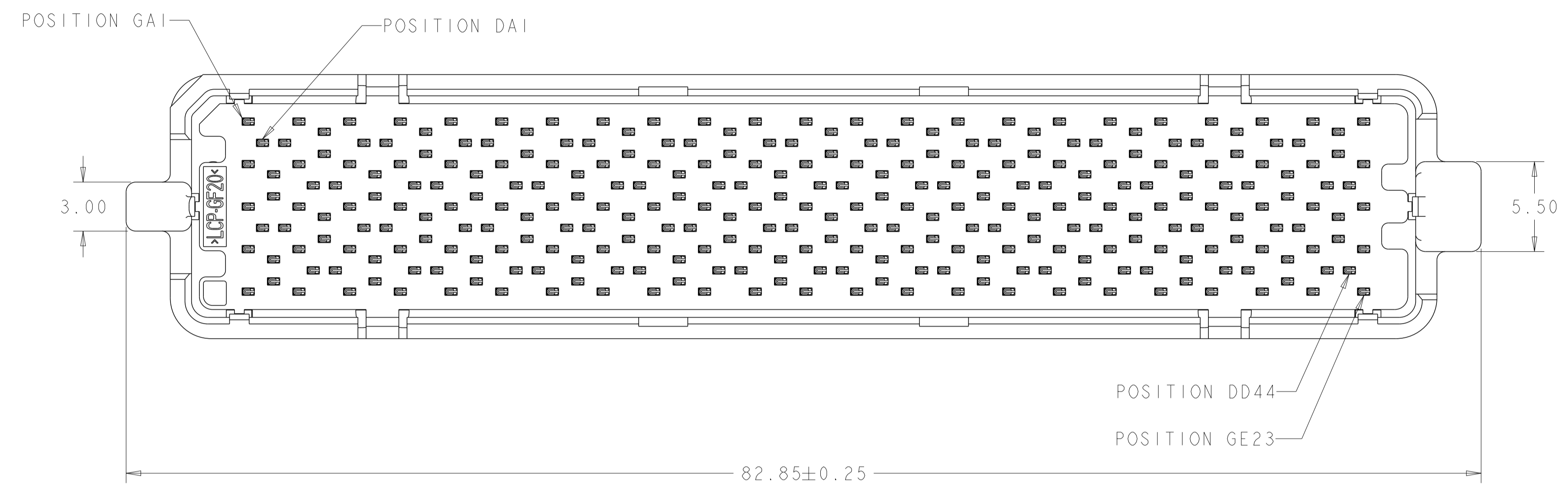


| LOC | | DIST | | REVISONS | | | |
|-----|----|------|-----|---------------------------|-----------|-----|------|
| GP | 00 | P | LYR | DESCRIPTION | DATE | DWN | APVD |
| | | A | | REVISED PER ECO-12-018201 | 11OCT2012 | KH | MH |



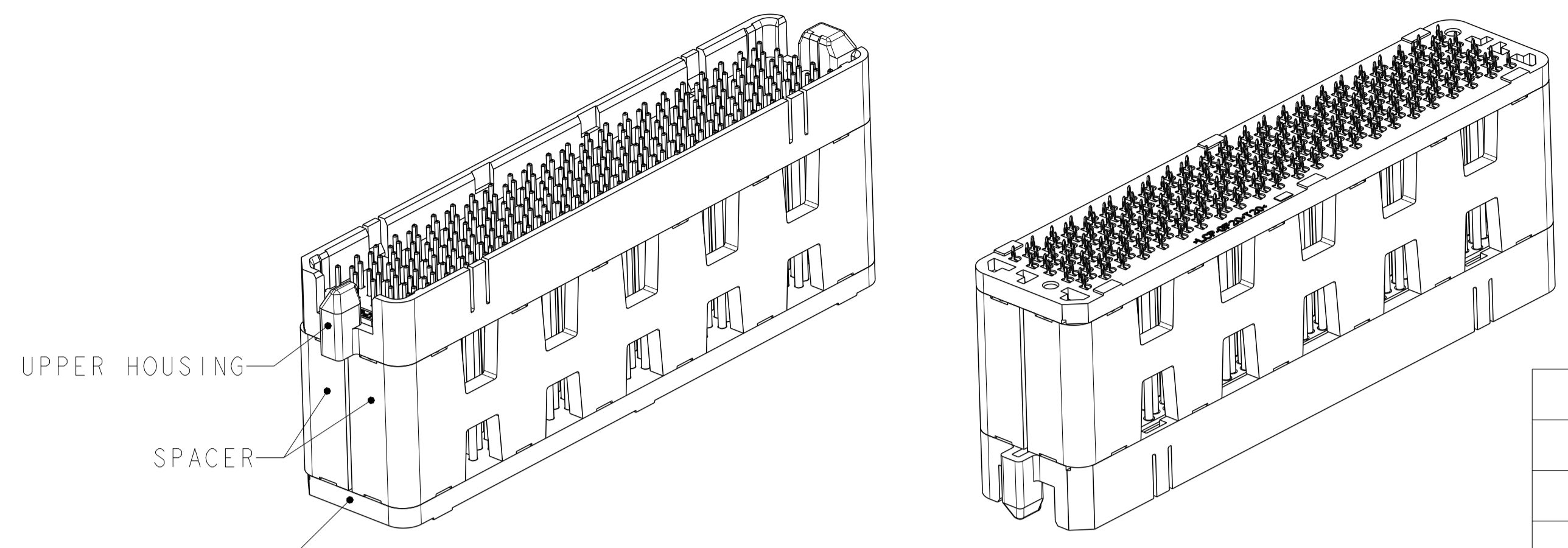
- 1 MATERIAL:
 BASE HOUSING, UPPER HOUSING, ORGANIZER,
 AND SPACER: THERMOPLASTIC, FLAMMABILITY RATING
 UL94 V-0
 CONTACT: COPPER ALLOY
- 2. CONFORMS TO THE REQUIREMENTS OF TE PRODUCT
 SPECIFICATION, 108-2375; BASED ON TELCORDIA
 GR-1217-CORE FOR SYSTEM QUALITY LEVEL III,
 APPLICATIONS IN CONTROLLED ENVIRONMENTS
 (CENTRAL OFFICE).
 SEE TE PRODUCT SPECIFICATION 108-2375 FOR
 TEST SEQUENCES.
- 3 ROWS GA THRU GE (SHOWN DARKENED) ARE TYPICALLY
 USED AS GROUNDS.
- 4 SPECIFIED POSITIONAL TOLERANCE DEFINES HOLE TO
 HOLE LOCATION WITHIN HOLE PATTERN. POSITIONAL
 TOLERANCE OF HOLE PATTERN TO FIDUCIAL MARKS
 OR PCB DATUMS SHALL BE DEFINED BY CUSTOMER.
- 5 AREA RESERVED FOR TE CONNECTIVITY LOGO.
- 6 AREA RESERVED FOR PART NUMBER (X-XXXXXXX-X) AND
 DATE CODE (YYWW).
- 7 USE CENTERLINES INDICATED ON PCB HOLE PATTERN
 TO ESTABLISH ALIGNMENT BETWEEN HEADER AND
 RECEPTACLE BOARDS.
- 8 PLATED THROUGH HOLE REQUIREMENTS:
 HOLE SIZE PRIOR TO PLATING = $\varnothing 0.420 \pm 0.013$
 COPPER PLATING THICKNESS = 0.038 ± 0.013
 CALCULATED FINISHED HOLE SIZE = $\varnothing 0.344 \pm 0.039$
 THESE DIMENSIONS APPLY TO THE TOP 1.25mm OF
 THE PCB THICKNESS FROM THE CONNECTOR MOUNTING
 SIDE.
- 9 CONTACT SALES FOR AVAILABILITY OF THIS STACK
 HEIGHT.

SIZE 3 HALF-WIDE W/GUIDE POSTS *
88 DIFFERENTIAL PAIRS + GROUNDS
291 TOTAL SIGNAL CONTACTS

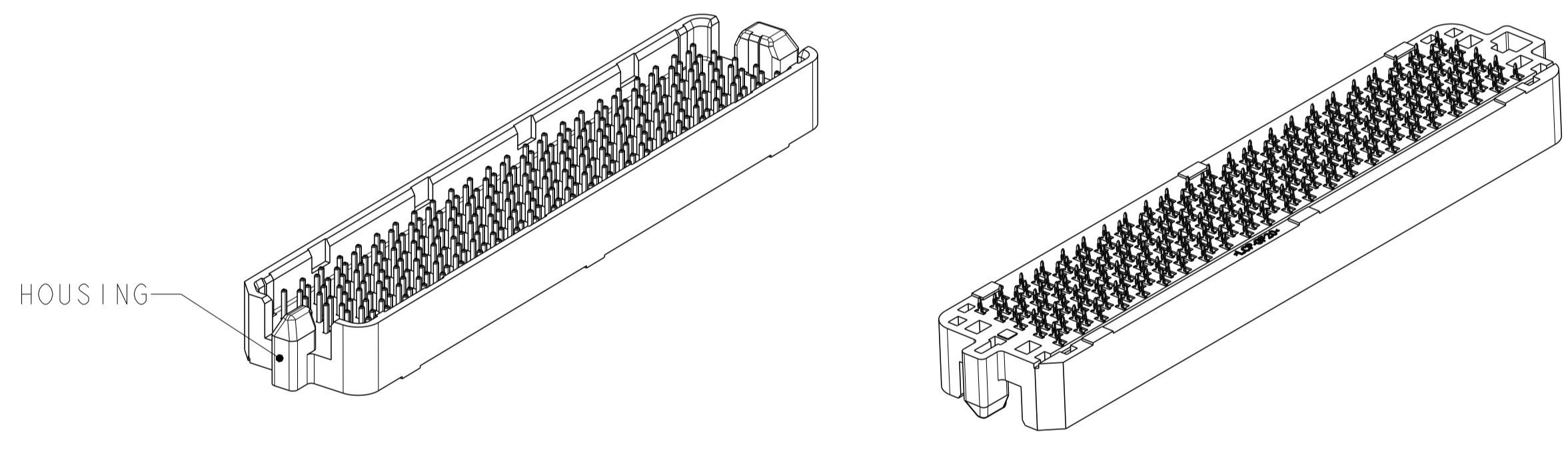
* SIZE 1 AND SIZE 2 ARE ALSO AVAILABLE

| | | | |
|--|--------------|--------------------------|---|
| THIS DRAWING IS A CONTROLLED DOCUMENT. | | DWN HAMNER 01SEP2010 | TE Connectivity |
| DIMENSIONS: mm | | CHK D. TROUT 29SEP2010 | |
| TOLERANCES UNLESS OTHERWISE SPECIFIED: | | APVD J. FEEDER 29SEP2010 | NAME |
| 0 PLC ± | 1 PLC ± | PRODUCT SPEC | HEADER ASSEMBLY, |
| 2 PLC ±0.13 | 3 PLC ±0.013 | APPLICATION SPEC | HALF-WIDE, 88/291, |
| 4 PLC ± | ANGLES ±1 | FINISH | STRADA MESA MEZZANINE CONNECTOR |
| MATERIAL | FINISH | WEIGHT | SIZE CAGE CODE DRAWING NO RESTRICTED TO |
| | | | A100779C=2149790 |
| CUSTOMER DRAWING | | SCALE 5:1 | SHEET 1 OF 4 REV A |

| LOC | DIST | REVISIONS | | | |
|-----|------|-------------|------|-----|------|
| P | LYR | DESCRIPTION | DATE | OWN | APVD |
| - | - | SEE SHEET 1 | - | - | - |



ISOMETRIC VIEWS
 TYPICAL CONFIGURATION FOR 14mm THRU 42mm
 28mm SHOWN
 SCALE 2:1



ISOMETRIC VIEWS
 TYPICAL CONFIGURATION FOR 8mm THRU 13mm
 8mm SHOWN
 SCALE 2:1

| | | | | |
|--------|-------|--------------|----------------------|-------------|
| △ | 41.8 | 42mm | MATTE Sn | 9-2149790-2 |
| △ | 40.8 | 41mm | MATTE Sn | 9-2149790-1 |
| △ | 39.8 | 40mm | MATTE Sn | 9-2149790-0 |
| △ | 38.8 | 39mm | MATTE Sn | 8-2149790-9 |
| △ | 37.8 | 38mm | MATTE Sn | 8-2149790-8 |
| △ | 36.8 | 37mm | MATTE Sn | 8-2149790-7 |
| △ | 35.8 | 36mm | MATTE Sn | 8-2149790-6 |
| YES | 34.8 | 35mm | MATTE Sn | 8-2149790-5 |
| △ | 33.8 | 34mm | MATTE Sn | 8-2149790-4 |
| △ | 32.8 | 33mm | MATTE Sn | 8-2149790-3 |
| △ | 31.8 | 32mm | MATTE Sn | 8-2149790-2 |
| △ | 30.8 | 31mm | MATTE Sn | 8-2149790-1 |
| △ | 29.8 | 30mm | MATTE Sn | 8-2149790-0 |
| △ | 28.8 | 29mm | MATTE Sn | 7-2149790-9 |
| YES | 27.8 | 28mm | MATTE Sn | 7-2149790-8 |
| △ | 26.8 | 27mm | MATTE Sn | 7-2149790-7 |
| △ | 25.8 | 26mm | MATTE Sn | 7-2149790-6 |
| YES | 24.8 | 25mm | MATTE Sn | 7-2149790-5 |
| △ | 23.8 | 24mm | MATTE Sn | 7-2149790-4 |
| △ | 22.8 | 23mm | MATTE Sn | 7-2149790-3 |
| △ | 21.8 | 22mm | MATTE Sn | 7-2149790-2 |
| △ | 20.8 | 21mm | MATTE Sn | 7-2149790-1 |
| △ | 19.8 | 20mm | MATTE Sn | 7-2149790-0 |
| △ | 18.8 | 19mm | MATTE Sn | 6-2149790-9 |
| △ | 17.8 | 18mm | MATTE Sn | 6-2149790-8 |
| △ | 16.8 | 17mm | MATTE Sn | 6-2149790-7 |
| △ | 15.8 | 16mm | MATTE Sn | 6-2149790-6 |
| △ | 14.8 | 15mm | MATTE Sn | 6-2149790-5 |
| △ | 13.8 | 14mm | MATTE Sn | 6-2149790-4 |
| △ | 12.8 | 13mm | MATTE Sn | 6-2149790-3 |
| △ | 11.8 | 12mm | MATTE Sn | 6-2149790-2 |
| △ | 10.8 | 11mm | MATTE Sn | 6-2149790-1 |
| △ | 9.8 | 10mm | MATTE Sn | 6-2149790-0 |
| △ | 8.8 | 9mm | MATTE Sn | 5-2149790-9 |
| △ | 7.8 | 8mm | MATTE Sn | 5-2149790-8 |
| TOOLED | DIM H | STACK HEIGHT | CONTACT TAIL PLATING | PART NUMBER |

| | | | | |
|--------|-------|--------------|----------------------|-------------|
| △ | 41.8 | 42mm | Sn/Pb | 4-2149790-2 |
| △ | 40.8 | 41mm | Sn/Pb | 4-2149790-1 |
| △ | 39.8 | 40mm | Sn/Pb | 4-2149790-0 |
| △ | 38.8 | 39mm | Sn/Pb | 3-2149790-9 |
| △ | 37.8 | 38mm | Sn/Pb | 3-2149790-8 |
| △ | 36.8 | 37mm | Sn/Pb | 3-2149790-7 |
| △ | 35.8 | 36mm | Sn/Pb | 3-2149790-6 |
| YES | 34.8 | 35mm | Sn/Pb | 3-2149790-5 |
| △ | 33.8 | 34mm | Sn/Pb | 3-2149790-4 |
| △ | 32.8 | 33mm | Sn/Pb | 3-2149790-3 |
| △ | 31.8 | 32mm | Sn/Pb | 3-2149790-2 |
| △ | 30.8 | 31mm | Sn/Pb | 3-2149790-1 |
| △ | 29.8 | 30mm | Sn/Pb | 3-2149790-0 |
| △ | 28.8 | 29mm | Sn/Pb | 2-2149790-9 |
| YES | 27.8 | 28mm | Sn/Pb | 2-2149790-8 |
| △ | 26.8 | 27mm | Sn/Pb | 2-2149790-7 |
| △ | 25.8 | 26mm | Sn/Pb | 2-2149790-6 |
| YES | 24.8 | 25mm | Sn/Pb | 2-2149790-5 |
| △ | 23.8 | 24mm | Sn/Pb | 2-2149790-4 |
| △ | 22.8 | 23mm | Sn/Pb | 2-2149790-3 |
| △ | 21.8 | 22mm | Sn/Pb | 2-2149790-2 |
| △ | 20.8 | 21mm | Sn/Pb | 2-2149790-1 |
| △ | 19.8 | 20mm | Sn/Pb | 2-2149790-0 |
| △ | 18.8 | 19mm | Sn/Pb | 1-2149790-9 |
| △ | 17.8 | 18mm | Sn/Pb | 1-2149790-8 |
| △ | 16.8 | 17mm | Sn/Pb | 1-2149790-7 |
| △ | 15.8 | 16mm | Sn/Pb | 1-2149790-6 |
| △ | 14.8 | 15mm | Sn/Pb | 1-2149790-5 |
| △ | 13.8 | 14mm | Sn/Pb | 1-2149790-4 |
| △ | 12.8 | 13mm | Sn/Pb | 1-2149790-3 |
| △ | 11.8 | 12mm | Sn/Pb | 1-2149790-2 |
| △ | 10.8 | 11mm | Sn/Pb | 1-2149790-1 |
| △ | 9.8 | 10mm | Sn/Pb | 1-2149790-0 |
| △ | 8.8 | 9mm | Sn/Pb | 2149790-9 |
| △ | 7.8 | 8mm | Sn/Pb | 2149790-8 |
| TOOLED | DIM H | STACK HEIGHT | CONTACT TAIL PLATING | PART NUMBER |

THIS DRAWING IS A CONTROLLED DOCUMENT.

OWN: HAMNER 01SEP2010
 CHK: D. TROUT 29SEP2010
 APVD: J. FEDDER 29SEP2010

STE TE Connectivity

NAME: HEADER ASSEMBLY, HALF-WIDE, 88/291, STRADA MESA MEZZANINE CONNECTOR

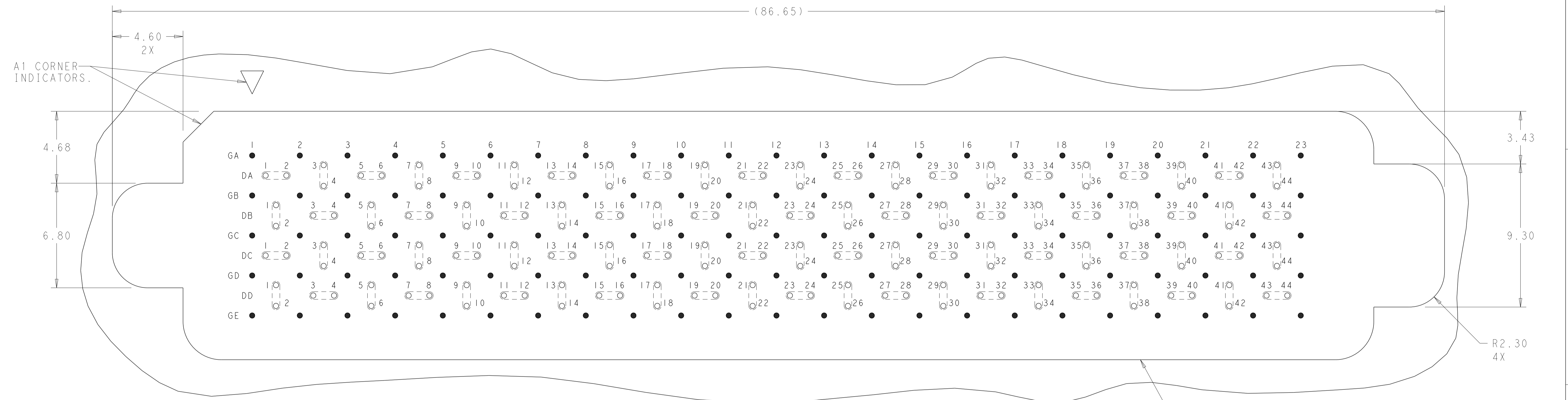
PRODUCT SPEC: 108-2375
 APPLICATION SPEC: 114-13249

SIZE: A1 CAGE CODE: 00779 DRAWING NO: 2149790

RESTRICTED TO: A

CUSTOMER DRAWING SCALE: 5:1 SHEET 2 OF 4 REV A

| LOC | DIST | REVISIONS | | | |
|-----|------|-------------|------|-----|------|
| P | LYR | DESCRIPTION | DATE | DWN | APVD |
| - | - | SEE SHEET 1 | - | - | - |
| | | | | | |
| | | | | | |



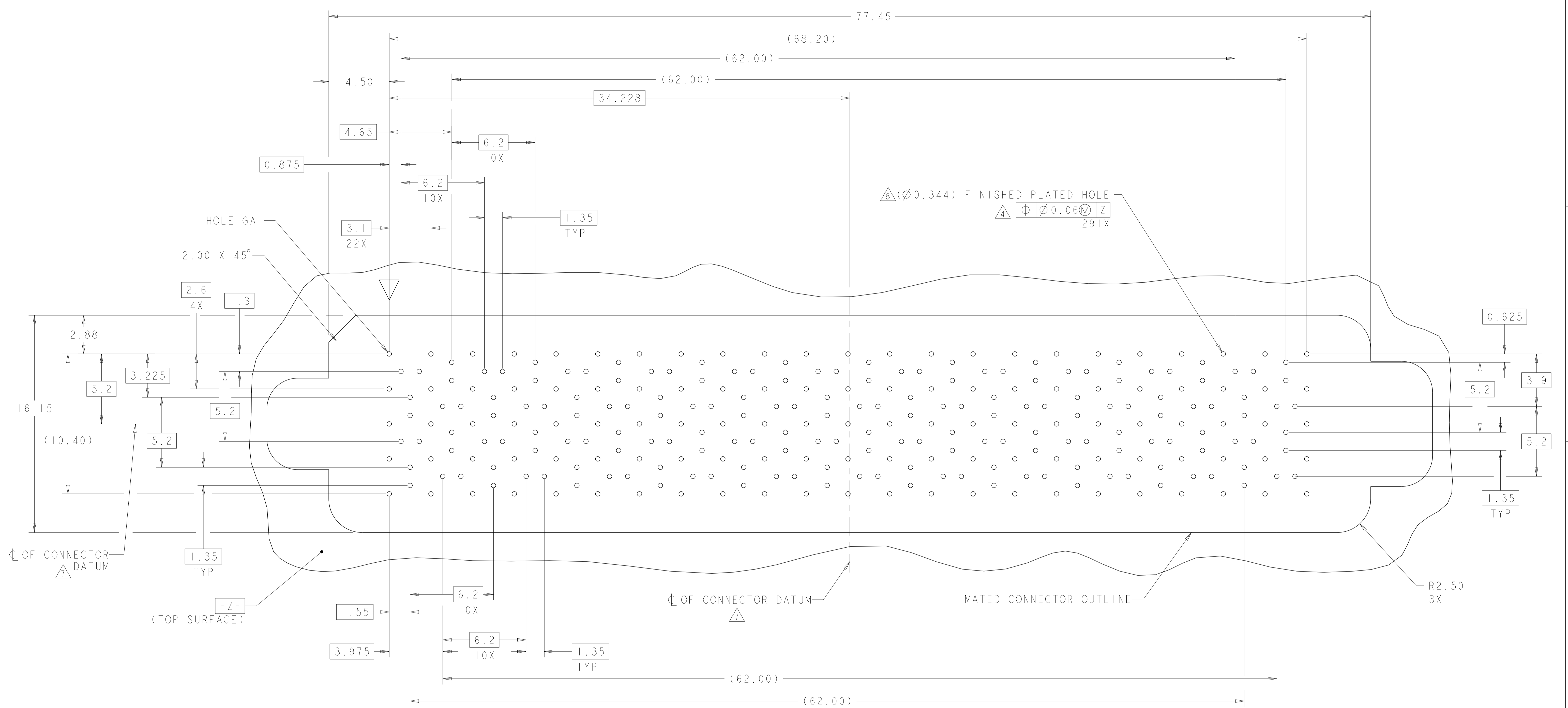
PCB LAYOUT AND PIN IDENTIFICATION

SHOWN FROM CONNECTOR SIDE
 SCALE 8:1

MATED CONNECTOR OUTLINE
 SEE SHEET 4 FOR LOCATION TO HOLES

| | | | | | |
|--|--|-----------------------------|-------------------------------|---|--|
| THIS DRAWING IS A CONTROLLED DOCUMENT. | | DWN HAMNER 01SEP2010 | | TE Connectivity | |
| DIMENSIONS: mm | | CHK D. TROUT 29SEP2010 | | NAME: HEADER ASSEMBLY, HALF-WIDE, 88/291, STRADA MESA MEZZANINE CONNECTOR | |
| TOLERANCES UNLESS OTHERWISE SPECIFIED: | | APVD J. FEDDER 29SEP2010 | PRODUCT SPEC: 108-2375 | | |
| 0 PLC ± | | APPLICATION SPEC: 114-13249 | SIZE: A100779C=2149790 | | |
| 1 PLC ±0.13 | | WEIGHT: - | RESTRICTED TO: - | | |
| 2 PLC ±0.013 | | CUSTOMER DRAWING | SCALE: 5:1 SHEET 3 OF 4 REV A | | |
| 3 PLC ± | | | | | |
| 4 PLC ± | | | | | |
| ANGLES ±1 | | | | | |
| FINISH | | | | | |

| LOC | DIST | REVISIONS | | | |
|-----|------|-------------|------|-----|------|
| P | LTN | DESCRIPTION | DATE | OWN | APVD |
| - | - | SEE SHEET 1 | - | - | - |
| | | | | | |
| | | | | | |



PCB HOLE PATTERN
 SHOWN FROM CONNECTOR SIDE
 SCALE 7:1

| | | | |
|---|--|-----------------------------|---|
| THIS DRAWING IS A CONTROLLED DOCUMENT. | | OWN: HAMNER 01SEP2010 | TE Connectivity |
| DIMENSIONS: mm | | CHK: D. TROUT 29SEP2010 | |
| TOLERANCES UNLESS OTHERWISE SPECIFIED: 0 PLC ±. 2 PLC ±0.13 3 PLC ±0.013 4 PLC ±. ANGLES ±1° FINISH | | APVD: J. FEDDER 29SEP2010 | NAME: HEADER ASSEMBLY, HALF-WIDE, 88/291, STRADA MESA MEZZANINE CONNECTOR |
| MATERIAL: - | | PRODUCT SPEC: 108-2375 | SIZE: A1 |
| CUSTOMER DRAWING | | APPLICATION SPEC: 114-13249 | CAGE CODE: C=2149790 |
| SCALE: 5:1 | | WEIGHT: - | RESTRICTED TO: - |
| SHEET 4 OF 4 | | DATE: - | REV: A |



**Стандарт
Электрон
Связь**

Мы молодая и активно развивающаяся компания в области поставок электронных компонентов. Мы поставляем электронные компоненты отечественного и импортного производства напрямую от производителей и с крупнейших складов мира.

Благодаря сотрудничеству с мировыми поставщиками мы осуществляем комплексные и плановые поставки широчайшего спектра электронных компонентов.

Собственная эффективная логистика и склад в обеспечивает надежную поставку продукции в точно указанные сроки по всей России.

Мы осуществляем техническую поддержку нашим клиентам и предпродажную проверку качества продукции. На все поставляемые продукты мы предоставляем гарантию .

Осуществляем поставки продукции под контролем ВП МО РФ на предприятия военно-промышленного комплекса России , а также работаем в рамках 275 ФЗ с открытием отдельных счетов в уполномоченном банке. Система менеджмента качества компании соответствует требованиям ГОСТ ISO 9001.

Минимальные сроки поставки, гибкие цены, неограниченный ассортимент и индивидуальный подход к клиентам являются основой для выстраивания долгосрочного и эффективного сотрудничества с предприятиями радиоэлектронной промышленности, предприятиями ВПК и научно-исследовательскими институтами России.

С нами вы становитесь еще успешнее!

Наши контакты:

Телефон: +7 812 627 14 35

Электронная почта: sales@st-electron.ru

Адрес: 198099, Санкт-Петербург,
Промышленная ул, дом № 19, литера Н,
помещение 100-Н Офис 331