

**PLEASE CHECK WWW.MOLEX.COM FOR LATEST PART INFORMATION**

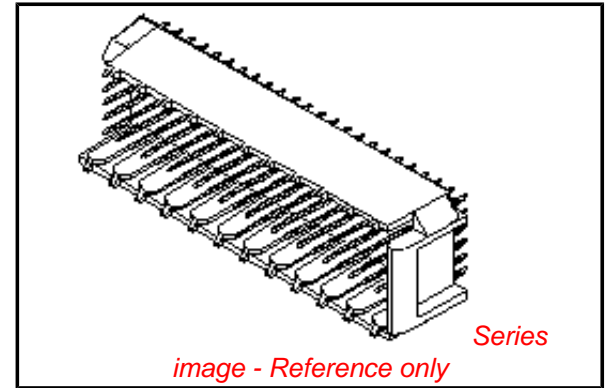
**Part Number:** [0749934009](#)  
**Status:** **Active**  
**Overview:** [hdm](#)  
**Description:** 2.00mm (.079") Pitch HDM® Board-to-Board Stacking Header, High Rise Vertical, SMC, Double End Wall Option, Solder Tail, 72 Circuits, Lead Free

**Documents:**

[Drawing \(PDF\)](#) [RoHS Certificate of Compliance \(PDF\)](#)  
[Product Specification PS-73780-999 \(PDF\)](#)

**General**

Product Family	Backplane Connectors
Series	<a href="#">74993</a>
Application	Backplane, Mezzanine
Component Type	PCB Header
Overview	<a href="#">hdm</a>
Product Name	HDM®
Style	N/A
<b>Physical</b>	
Circuits (Loaded)	72
Circuits (maximum)	72
Color - Resin	Black
Durability (mating cycles max)	250
First Mate / Last Break	No
Guide to Mating Part	No
Keying to Mating Part	None
Material - Metal	Phosphor Bronze
Material - Plating Mating	Gold
Material - Plating Termination	Tin
Material - Resin	High Temperature Thermoplastic
Number of Columns	12
Number of Pairs	Open Pin Field
Number of Rows	6
Orientation	Vertical
PC Tail Length (in)	0.138 In
PC Tail Length (mm)	3.50 mm
PCB Locator	No
PCB Retention	None
PCB Thickness Recommended (in)	0.098 In
PCB Thickness Recommended (mm)	2.50 mm
Packaging Type	Tube
Pitch - Mating Interface (in)	0.079 In
Pitch - Mating Interface (mm)	2.00 mm
Pitch - Term. Interface (in)	0.079 In
Pitch - Term. Interface (mm)	2.00 mm
Plating min: Mating (µin)	30
Plating min: Mating (µm)	0.75
Plating min: Termination (µin)	15
Plating min: Termination (µm)	0.375
Polarized to PCB	No
Stackable	No
Surface Mount Compatible (SMC)	Yes
Temperature Range - Operating	-55°C to +105°C
Termination Interface: Style	Through Hole - Compliant Pin



**EU RoHS**

**ELV and RoHS  
Compliant**  
**REACH SVHC  
Contains SVHC: No**  
**Halogen-Free  
Status**

**China RoHS**



**Not Reviewed**

**Need more information on product  
environmental compliance?**

Email [productcompliance@molex.com](mailto:productcompliance@molex.com)  
For a multiple part number RoHS Certificate of Compliance, [click here](#)

Please visit the [Contact Us](#) section for any non-product compliance questions.

**Search Parts in this Series**

[74993Series](#)

**Electrical**

Current - Maximum per Contact	1A
Data Rate	1.0 Gbps
Real Signals (per 25mm)	75
Shielded	No
Voltage - Maximum	250V AC

**Material Info****Reference - Drawing Numbers**

Application Specification	AS-73642-9998
Packaging Specification	PK-70873-0875
Product Specification	PS-73780-999
Sales Drawing	SD-74993-002

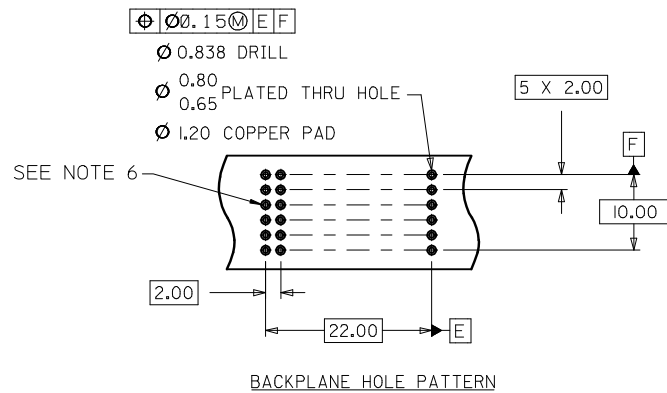
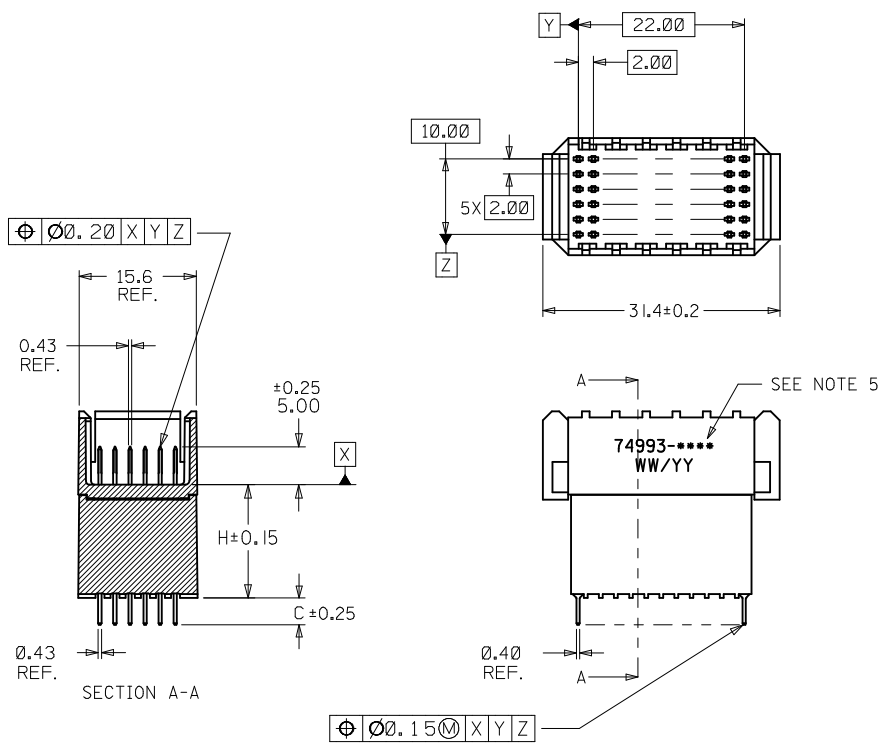
HDM and High Density Metric are trademarks of Amphenol Corporation

This document was generated on 05/17/2010

**PLEASE CHECK [WWW.MOLEX.COM](http://WWW.MOLEX.COM) FOR LATEST PART INFORMATION**

NOTES:

1. MATERIALS: HOUSING-LIQUID CRYSTAL POLYMER (LCP), GLASS-FILLED, UL-94V-0, COLOR: BLACK, TERMINAL - PHOSPHOR BRONZE.
2. FINISH: SELECTIVE GOLD (Au) IN CONTACT AREA, 0.76 MICROMETER MINIMUM THICKNESS, SELECTIVE TIN (Sn) ON PCB TAILS, 0.38 MICROMETER MINIMUM THICKNESS, NICKEL (Ni) UNDERPLATE OVERALL.
3. THIS PART CONFORMS TO MOLEX PRODUCT SPECIFICATION PS-73780-9999.
4. PACKAGE PER PK-70873-0870, PK-70873-0871, OR PK-70873-0875.
5. PARTS MARKED WITH PART NUMBER AND DATE CODE ON EITHER SIDE, APPROXIMATELY WHERE SHOWN.
6. HOLE SIZE SPECIFICATION IS FOR TIN/LEAD PLATED HOLES ONLY. FOR OTHER PLATING TYPES SEE MOLEX APPLICATION AS-73670-9996.
7. PART CONFORMS TO MOLEX COSMETIC SPECIFICATION PS-45499-002 CLASS B.



<b>REVISE NOTES</b> EC NO: UCP2009-2054 DRWNS: DANIELLEY 2009/07/08 CHKD: BSMART 2009/07/09 APPR: SMILLER 2009/07/09	QUALITY SYMBOLS ▽=0 ▽=0	GENERAL TOLERANCES (UNLESS SPECIFIED)		DIMENSION STYLE <b>MM ONLY</b>		SCALE 2:1	DESIGN UNITS METRIC	THIRD ANGLE PROJECTION		
		4 PLACES	±	---	mm	INCH	DRAWN BY MIBARRA	DATE 2005/07/01	TITLE SALES ASSY HDM BACKPLANE STACKING MOD. LEAD FREE DOUBLE END WALL OPTION	
		3 PLACES	±	---	mm	INCH	CHECKED BY BSMART	DATE 2005/07/01	MOLEX INCORPORATED	
		2 PLACES	±	---	mm	INCH	APPROVED BY SMILLER	DATE 2005/07/01		
1 PLACE	±	---	mm	INCH	ANGULAR ±1/2°		MATERIAL NO. <b>SEE TABLE</b>		DOCUMENT NO. SD-74993-002	
DRAFT WHERE APPLICABLE MUST REMAIN WITHIN DIMENSIONS		SIZE C	THIS DRAWING CONTAINS INFORMATION THAT IS PROPRIETARY TO MOLEX INCORPORATED AND SHOULD NOT BE USED WITHOUT WRITTEN PERMISSION							SHEET NO. 1 OF 2

# MATERIAL NUMBER ASSIGNMENT

74993-\* \* 09

NUMBER	CIRCUIT SIZE	DIM "C"	TAIL STYLE
0	72	2.0	SOLDER
1	72	2.5	SOLDER
2	72	3.0	SOLDER
3	72	3.5	SOLDER
4	72	3.5	PRESSFIT

NUMBER	DIM "H"
0	6.05
1	10.05
2	15.05

CONVERT FROM ME10 EC NO: UCP2009-2054 DRWNSDANIELLY 2009/07/08 CHKDBSMART 2009/07/09 APPR:SMILLER 2009/07/09	QUALITY SYMBOLS	GENERAL TOLERANCES (UNLESS SPECIFIED) <table border="1"> <tr> <th></th> <th>mm</th> <th>INCH</th> </tr> <tr> <td>4 PLACES</td> <td>± .005</td> <td>± .0008</td> </tr> <tr> <td>3 PLACES</td> <td>± .005</td> <td>± .0008</td> </tr> <tr> <td>2 PLACES</td> <td>± .005</td> <td>± .0008</td> </tr> <tr> <td>1 PLACE</td> <td>± .005</td> <td>± .0008</td> </tr> </table>		mm	INCH	4 PLACES	± .005	± .0008	3 PLACES	± .005	± .0008	2 PLACES	± .005	± .0008	1 PLACE	± .005	± .0008	DIMENSION STYLE	SCALE	DESIGN UNITS	THIRD ANGLE PROJECTION
			mm	INCH																	
	4 PLACES		± .005	± .0008																	
	3 PLACES		± .005	± .0008																	
2 PLACES	± .005	± .0008																			
1 PLACE	± .005	± .0008																			
▽=0 ▽=0	MM ONLY DRAWN BY DATE MIBARRA 2005/07/01 CHECKED BY DATE BSMART 2005/07/01 APPROVED BY DATE SMILLER 2005/07/01	METRIC TITLE SALES ASSY HDM BACKPLANE STACKING MOD. LEAD FREE DOUBLE END WALL OPTION																			
DRAFT WHERE APPLICABLE MUST REMAIN WITHIN DIMENSIONS	MATERIAL NO. SEE TABLE SIZE C	MOLEX MOLEX INCORPORATED DOCUMENT NO. SD-74993-002	SHEET NO. 2 OF 2																		
THIS DRAWING CONTAINS INFORMATION THAT IS PROPRIETARY TO MOLEX INCORPORATED AND SHOULD NOT BE USED WITHOUT WRITTEN PERMISSION																					

10 9 8 7 6 5 4 3 2 1

F  
E  
D  
C  
B  
A

### MATERIAL NUMBER ASSIGNMENT

74993-\* \* 0 9

NUMBER	CIRCUIT SIZE	DIM "C"	TAIL STYLE
0	72	2.0	SOLDER
1	72	2.5	SOLDER
2	72	3.0	SOLDER
3	72	3.5	SOLDER
4	72	3.5	PRESSFIT

NUMBER	DIM "H"
0	6.05
1	10.05
2	15.05

INITIAL RELEASE EC NO: UCP2005-2847 DRWN:MIBARRA 2005/07/25 CHKD:BSMART 2005/07/26 APPR:SMILLER 2005/07/27	DESCRIPTION A	REV A	QUALITY SYMBOLS ▽=0 ▽=0	GENERAL TOLERANCES (UNLESS SPECIFIED)		DIMENSION STYLE MM ONLY		SCALE ---	DESIGN UNITS METRIC	THIRD ANGLE PROJECTION	
				4 PLACES ± --- ± ---	DRAWN BY MIBARRA	DATE 05/07/01	TITLE SALES ASSY HDM BACKPLANE STACKING MODULE DOUBLE END OPTION				
				3 PLACES ± --- ± ---	CHECKED BY BSMART	DATE 05/07/01					
				2 PLACES ± --- ± ---	APPROVED BY SMILLER		DATE 05/07/01	MOLEX INCORPORATED			
1 PLACE ± --- ± ---	ANGULAR ±1/2°		MATERIAL NO. SEE TABLE	DOCUMENT NO. SD-74993-002	SHEET NO. 2 OF 2						

9 8 7 6 5 4 3 2 1



## Стандарт Электрон Связь

Мы молодая и активно развивающаяся компания в области поставок электронных компонентов. Мы поставляем электронные компоненты отечественного и импортного производства напрямую от производителей и с крупнейших складов мира.

Благодаря сотрудничеству с мировыми поставщиками мы осуществляем комплексные и плановые поставки широчайшего спектра электронных компонентов.

Собственная эффективная логистика и склад в обеспечивает надежную поставку продукции в точно указанные сроки по всей России.

Мы осуществляем техническую поддержку нашим клиентам и предпродажную проверку качества продукции. На все поставляемые продукты мы предоставляем гарантию .

Осуществляем поставки продукции под контролем ВП МО РФ на предприятия военно-промышленного комплекса России , а также работаем в рамках 275 ФЗ с открытием отдельных счетов в уполномоченном банке. Система менеджмента качества компании соответствует требованиям ГОСТ ISO 9001.

Минимальные сроки поставки, гибкие цены, неограниченный ассортимент и индивидуальный подход к клиентам являются основой для выстраивания долгосрочного и эффективного сотрудничества с предприятиями радиоэлектронной промышленности, предприятиями ВПК и научно-исследовательскими институтами России.

С нами вы становитесь еще успешнее!

### Наши контакты:

**Телефон:** +7 812 627 14 35

**Электронная почта:** [sales@st-electron.ru](mailto:sales@st-electron.ru)

**Адрес:** 198099, Санкт-Петербург,  
Промышленная ул, дом № 19, литера Н,  
помещение 100-Н Офис 331