



3.5 Ω , Single 8:1 and Dual 4:1, Low-Voltage Analog Multiplexers

General Description

The MAX4638/MAX4639 are single 8:1 and dual 4:1 CMOS analog multiplexers/demultiplexers (muxes/demuxes). Each mux operates from a single +1.8V to +5V supply or dual $\pm 2.5V$ supplies. These devices feature 3.5 Ω on-resistance (R_{ON}) when powered with a single +5V supply and have -75dB of off-isolation and -85dB crosstalk from the output to each off channel. The switching times are 18ns t_{ON} and 7ns t_{OFF} . They feature a -3dB 85MHz bandwidth and a guaranteed 0.25nA leakage current at +25°C.

A +1.8V to +5.5V operating range makes the MAX4638/MAX4639 ideal for battery-powered, portable instruments. All channels guarantee break-before-make switching. These parts feature bidirectional operation and can handle Rail-to-Rail[®] analog signals. All control inputs are TTL/CMOS-logic compatible. Decoding is in standard BCD format, and an enable input is provided to simplify cascading of devices. These devices are available in small 16-pin QFN, TSSOP and SOIC packages, as well as a 20-pin QFN package.

Applications

Automatic Test Equipment
 Low-Voltage Data-Acquisition Systems
 Audio and Video Signal Routing
 Medical Equipment
 Battery-Powered Equipment
 Relay Replacement

Features

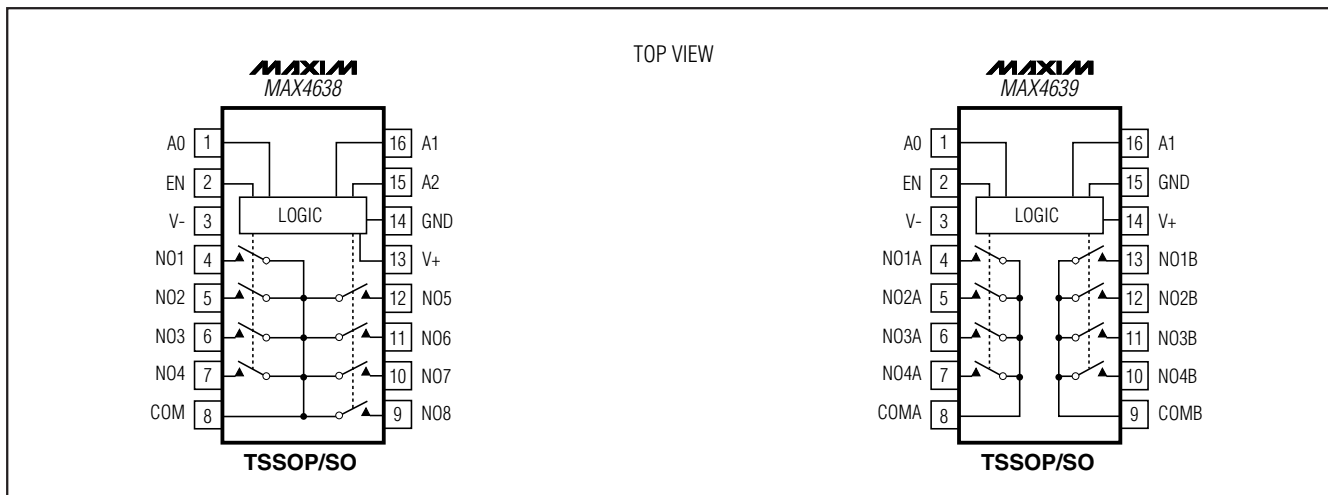
- ◆ **Guaranteed R_{ON}**
 3.5 Ω (+5V or $\pm 2.5V$ Supplies)
 6 Ω (+3V Supply)
- ◆ **Guaranteed 0.4 Ω R_{ON} Match Between Channels**
- ◆ **Guaranteed 1 Ω R_{ON} Flatness Over Signal Range**
- ◆ **Guaranteed Low Leakage Currents**
 0.25nA at +25°C
- ◆ **Switching Times: t_{ON} = 18ns, t_{OFF} = 7ns**
- ◆ **+1.8V to +5.5V Single-Supply Operation**
 $\pm 2.5V$ Dual-Supply Operation
- ◆ **Rail-to-Rail Signal Handling**
- ◆ **TTL/CMOS-Logic Compatible**
- ◆ **Crosstalk: -80dB (1MHz)**
- ◆ **Off-Isolation: -60dB (10MHz)**

Ordering Information

PART	TEMP RANGE	PIN-PACKAGE
MAX4638EGE	-40°C to +85°C	16 QFN (4 x 4)
MAX4638EUE	-40°C to +85°C	16 TSSOP
MAX4638ESE	-40°C to +85°C	16 SO
MAX4638EGP	-40°C to +85°C	20 QFN (4 x 4)

Ordering Information continued at end of data sheet.

Pin Configurations/Functional Diagrams



Rail-to-Rail is a Registered Trademark of Nippon Motorola, Ltd.



Maxim Integrated Products 1

For pricing, delivery, and ordering information, please contact Maxim/Dallas Direct! at 1-888-629-4642, or visit Maxim's website at www.maxim-ic.com.

3.5Ω, Single 8:1 and Dual 4:1, Low-Voltage Analog Multiplexers

ABSOLUTE MAXIMUM RATINGS

(Voltages Referenced to GND)

V+ to V-	+6V
V+, A-, EN	-0.3V to +6V
V-	+0.3V to -6V
NO-, COM- (Note1)	-0.3V to (V+ + 0.3V)
Continuous Current A-, EN	±30mA
Continuous Current NO-, COM-	±100mA
Peak Current (NO-, COM-) (pulsed at 1ms, 10% duty cycle)	±200mA

Continuous Power Dissipation (T_A = +70°C)

16-Pin QFN (derate 18.5mW/°C above +70°C)	1481mW
16-Pin TSSOP (derate 5.7mW/°C above +70°C)	457mW
16-Pin SO (derate 8.70mW/°C above +70°C)	696mW
20-Pin QFN (derate 20mW/°C above +70°C)	1600mW
Operating Temperature Range	
MAX463_E_E	-40°C to +85°C
Junction Temperature	+150°C
Storage Temperature Range	-65°C to +150°C
Lead Temperature (soldering, 10s)	+300°C

Note 1: Signals on COM-, NO- exceeding V+ or V- are clamped by internal diodes. A- and EN are clamped only to V- and can exceed V+ up to their maximum ratings. Limit forward-diode current to maximum current rating.

Stresses beyond those listed under "Absolute Maximum Ratings" may cause permanent damage to the device. These are stress ratings only, and functional operation of the device at these or any other conditions beyond those indicated in the operational sections of the specifications is not implied. Exposure to absolute maximum rating conditions for extended periods may affect device reliability.

ELECTRICAL CHARACTERISTICS—+5V Single Supply

(V+ = +5V ±10%, V- = 0, V_{IH} = +2.4V, V_{IL} = +0.8V, T_A = T_{MIN} to T_{MAX}, unless otherwise noted. Typical values are at T_A = +25°C.)

PARAMETER	SYMBOL	CONDITIONS	MIN	TYP (Note 2)	MAX	UNITS	
ANALOG SWITCH							
Analog Signal Range	V _{COM-} , V _{NO-}		0		V+	V	
On-Resistance	R _{ON}	V+ = +4.5V, I _{COM-} = 10mA, V _{NO-} = +3.5V		2.5	3.5	Ω	
		T _A = T _{MIN} to T _{MAX}			4.5		
On-Resistance Match Between Channels (Notes 3, 8)	ΔR _{ON}	V+ = +4.5V, I _{COM-} = 10mA, V _{NO-} = +3.5V		0.1	0.4	Ω	
		T _A = T _{MIN} to T _{MAX}			0.5		
On-Resistance Flatness (Note 4)	R _{FLAT(ON)}	V+ = +4.5V; I _{COM-} = 10mA; V _{NO-} = +1V, +2V, +3.5V		0.75	1	Ω	
		T _A = T _{MIN} to T _{MAX}			1.2		
NO- Off-Leakage Current (Note 5)	I _{NO-(OFF)}	V+ = +5.5V; V _{COM-} = +1V, +4.5V; V _{NO-} = +4.5V, +1V		-0.25	±0.01	0.25	nA
		T _A = T _{MIN} to T _{MAX}		-0.35		0.35	
COM- Off-Leakage Current (Note 5)	I _{COM-(OFF)}	V+ = +5.5V; V _{COM-} = +1V, +4.5V; V _{NO-} = +4.5V, +1V		-0.25	±0.01	0.25	nA
		T _A = T _{MIN} to T _{MAX}		-0.75		0.75	
COM- On-Leakage Current (Note 5)	I _{COM-(ON)}	V+ = +5.5V; V _{COM-} = +1V, +4.5V; V _{NO-} = +1V, +4.5V, or floating		-0.25	±0.01	0.25	nA
		T _A = T _{MIN} to T _{MAX}		-0.75		0.75	
DIGITAL I/O							
Input Logic High	V _{IH}		2.4			V	
Input Logic Low	V _{IL}				0.8	V	
Input Leakage Current	I _{IH} , I _{IL}	V _{IN-} = 0 or V+	-0.1	0.005	0.1	μA	
Digital Input Capacitance	C _{IN}			2		pF	
DYNAMIC							
Transition Time (Note 5)	t _{TRANS}	R _L = 100Ω, C _L = 35pF, V _{NO1} = +3V or 0, V _{NO8} = 0 or +3V, Figure 2		14	18	ns	
		T _A = T _{MIN} to T _{MAX}			20		

3.5Ω, Single 8:1 and Dual 4:1, Low-Voltage Analog Multiplexers

MAX4638/MAX4639

ELECTRICAL CHARACTERISTICS—+5V Single Supply (continued)

(V+ = +5V ±10%, V- = 0, VIH = +2.4V, VIL = +0.8V, TA = TMIN to TMAX, unless otherwise noted. Typical values are at TA = +25°C.)

PARAMETER	SYMBOL	CONDITIONS		MIN	TYP (Note 2)	MAX	UNITS
Break-Before-Make (Note 5)	tBBM	RL = 100Ω, CL = 35pF, VNO_ = +3V, Figure 3	TA = +25°C		8		ns
			TA = TMIN to TMAX	1			
Enable Turn-On Time (Note 5)	tON(EN)	RL = 100Ω, CL = 35pF, VNO1 = +3V, VNO2 to VNO8 = 0, Figure 4	TA = +25°C		14	18	ns
			TA = TMIN to TMAX			20	
Enable Turn-Off Time (Note 5)	tOFF(EN)	RL = 100Ω, CL = 35pF, VNO1 = +3V, VNO2 to VNO8 = 0, Figure 4	TA = +25°C		5	7	ns
			TA = TMIN to TMAX			8	
On-Channel -3dB Bandwidth	BW	Signal = 0dBm, CL = 5pF, 50Ω in and out, Figure 6	MAX4638	TA = +25°C		50	MHz
			MAX4639	TA = +25°C		85	
Charge Injection	Q	VGEN = +2.5V, RGEN = 0, CL = 1.0nF, Figure 5		TA = +25°C		13	pC
NO_ Off-Capacitance	CNO_(OFF)	VNO_ = 0V, f = 1MHz, Figure 8		TA = +25°C		9	pF
COM_ Off-Capacitance	CCOM_(OFF)	VCOM_ = 0V, f = 1MHz, Figure 8	MAX4638	TA = +25°C		40	pF
			MAX4639	TA = +25°C		20	
Switch On-Capacitance	C(ON)	VCOM_ = VNO_ = 0V, f = 1MHz, Figure 8	MAX4638	TA = +25°C		54	pF
			MAX4639	TA = +25°C		34	
Off-Isolation (Note 6)	VISO	CL = 5pF, RL = 50Ω, f = 1MHz, VNO_ = 1VRMS, Figure 6		TA = +25°C		-55	dB
				TA = +25°C		-75	
Crosstalk (Note 7)	VCT	CL = 5pF, RL = 50Ω, f = 10MHz, VNO_ = 1VRMS, Figure 7		TA = +25°C		-65	dB
				TA = +25°C		-85	
Total Harmonic Distortion	THD	RL = 600Ω, RFLAT(ON)/RL		TA = +25°C		0.5	%
SUPPLY							
Positive Supply Current	I+	V+ = +5.5V, VIN = 0 or V+			0.001	1.0	μA

3.5Ω, Single 8:1 and Dual 4:1, Low-Voltage Analog Multiplexers

ELECTRICAL CHARACTERISTICS—+3.0V Single Supply

(V+ = +2.7V to +3.3V, V- = 0, VIH = +2.0V, VIL = +0.4V, TA = TMIN to TMAX, unless otherwise noted. Typical values are at V+ = +3V and TA = +25°C.)

PARAMETER	SYMBOL	CONDITIONS	MIN	TYP (Note 2)	MAX	UNITS
ANALOG SWITCH						
Analog Signal Range	VCOM_, VNO_		0		V+	V
On-Resistance	RON	ICOM_ = 10mA, VNO_ = +1.7V	TA = +25°C	4.5	6	Ω
			TA = TMIN to TMAX		8	
On-Resistance Match Between Channels (Notes 3, 8)	ΔRON	ICOM_ = 10mA, VNO_ = +1.7V	TA = +25°C	0.25	0.6	Ω
			TA = TMIN to TMAX		0.8	
On-Resistance Flatness (Note 4)	RFLAT(ON)	ICOM_ = 10mA; VNO_ = +1.5V, +1.7V, +1.9V	TA = +25°C	1	2	Ω
			TA = TMIN to TMAX		2.5	
NO_ Off-Leakage Current (Note 5)	INO_(OFF)	V+ = +3.3V; VCOM_ = +1V, +3V; VNO_ = +3V, +1V	TA = +25°C	-0.25	±0.01 0.25	nA
			TA = TMIN to TMAX		-0.35 0.35	
COM_ Off-Leakage Current (Note 5)	ICOM_(OFF)	V+ = +3.3V; VCOM_ = +1V, +3V; VNO_ = +3V, +1V	TA = +25°C	-0.25	±0.01 0.25	nA
			TA = TMIN to TMAX		-0.35 0.35	
COM_ On-Leakage Current (Note 5)	ICOM_(ON)	V+ = +3.3V; VCOM_ = +1V, +3V; VNO_ = +1V, +3V, or floating	TA = +25°C	-0.25	±0.01 0.25	nA
			TA = TMIN to TMAX		-0.35 0.35	
DIGITAL I/O						
Input Logic High	VIH		2.0			V
Input Logic Low	VIL				0.4	V
Input Leakage Current	I _{IH} , I _{IL}	VIN_ = 0 or V+	-0.1	0.005	0.1	μA
Digital Input Capacitance	CIN			2		pF
DYNAMIC						
Transition Time (Note 5)	tTRANS	VNO_ = +2V, CL = 35pF, RL = 100Ω, Figure 2	TA = +25°C	16	20	ns
			TA = TMIN to TMAX		24	
Break-Before-Make (Note 5)	tBBM	VNO_ = +2V, CL = 35pF, RL = 100Ω, Figure 3	TA = +25°C	8		ns
			TA = TMIN to TMAX	1		
Enable Turn-On Time (Note 5)	tON(EN)	VNO_ = +2V, CL = 35pF, RL = 100Ω, Figure 4	TA = +25°C	15	20	ns
			TA = TMIN to TMAX		24	
Enable Turn-Off Time (Note 5)	tOFF(EN)	VNO_ = +2V, CL = 35pF, RL = 100Ω, Figure 4	TA = +25°C	5	9	ns
			TA = TMIN to TMAX		10	

3.5Ω, Single 8:1 and Dual 4:1, Low-Voltage Analog Multiplexers

MAX4638/MAX4639

ELECTRICAL CHARACTERISTICS—+3.0V Single Supply (continued)

(V+ = +2.7V to +3.3V, V- = 0, VIH = +2.0V, VIL = +0.4V, TA = TMIN to TMAX, unless otherwise noted. Typical values are at V+ = +3V and TA = +25°C.)

PARAMETER	SYMBOL	CONDITIONS		MIN	TYP (Note 2)	MAX	UNITS
Off-Isolation (Note 6)	VISO	CL = 5pF, RL = 50Ω, f = 10MHz, VNO_ = +1VRMS, Figure 6	TA = +25°C		55		dB
		CL = 5pF, RL = 50Ω, f = 1MHz, VNO_ = 1VRMS, Figure 6	TA = +25°C		-75		
Crosstalk (Note 7)	VCT	CL = 5pF, RL = 50Ω, f = 10MHz, VNO_ = 1VRMS, Figure 7	TA = +25°C		-65		dB
		CL = 5pF, RL = 50Ω, f = 1MHz, VNO_ = 1VRMS, Figure 7	TA = +25°C		-85		
On-Channel -3dB Bandwidth	BW	Signal = 0dBm, 50Ω in and out, Figure 6	MAX4638	TA = +25°C	50		MHz
			MAX4639	TA = +25°C	85		
NO_ Off-Capacitance	CNO_(OFF)	VNO_ = 0V, f = 1MHz, Figure 8	TA = +25°C		9		pF
COM_ Off-Capacitance	CCOM_(OFF)	VCOM_ = 0V, f = 1MHz, Figure 8	MAX4638	TA = +25°C	40		pF
			MAX4639	TA = +25°C	20		
Switch On-Capacitance	C(ON)	VCOM = VNO_ = 0V, f = 1MHz, Figure 8	MAX4638	TA = +25°C	54		pF
			MAX4639	TA = +25°C	34		
SUPPLY							
Positive Supply Current	I+	V+ = +3.3V, VIN_ = 0 or V+			0.001	1	μA

ELECTRICAL CHARACTERISTICS—±2.5V Dual Supplies

(V+ = +2.5 ±10%, V- = -2.5V ±10%, VIH = +2.0V, VIL = +0.4V, TA = TMIN to TMAX, unless otherwise noted. Typical values are at V± = ±2.5V and TA = +25°C.)

PARAMETER	SYMBOL	CONDITIONS		MIN	TYP (Note 2)	MAX	UNITS
ANALOG SWITCH							
Analog Signal Range	VCOM_, VNO_			V-		V+	V
On-Resistance	RON	ICOM_ = 10mA, VNO_ = ±1.5V, V+ = +2.25V, V- = -2.25V	TA = +25°C		2.5	3.5	Ω
			TA = TMIN to TMAX			4.5	
On-Resistance Match Between Channels (Notes 3, 8)	ΔRON	ICOM_ = 10mA, VNO_ = ±1.5V, V+ = +2.25V, V- = -2.25V	TA = +25°C		0.2	0.4	Ω
			TA = TMIN to TMAX			0.5	

3.5Ω, Single 8:1 and Dual 4:1, Low-Voltage Analog Multiplexers

ELECTRICAL CHARACTERISTICS—±2.5V Dual Supplies (continued)

(V+ = +2.5 ±10%, V- = -2.5V ±10%, V_{IH} = +2.0V, V_{IL} = +0.4V, T_A = T_{MIN} to T_{MAX}, unless otherwise noted. Typical values are at V_± = ±2.5V and T_A = +25°C.)

PARAMETER	SYMBOL	CONDITIONS	MIN	TYP (Note 2)	MAX	UNITS	
On-Resistance Flatness (Note 4)	R _{FLAT(ON)}	I _{COM_} = 10mA; V _{NO_} = ±1.5V, 0; V+ = +2.25V; V- = -2.25V	T _A = +25°C	0.75	1	Ω	
			T _A = T _{MIN} to T _{MAX}				1.2
NO_ Off-Leakage Current (Note 5)	I _{NO_ (OFF)}	V+ = +2.75V; V- = -2.75V; V _{COM_} = +1V, +2.5V; V _{NO_} = +2.5V, +1V	T _A = +25°C	-0.25	±0.01	0.25	nA
			T _A = T _{MIN} to T _{MAX}	-0.35		0.35	
COM_ Off-Leakage Current (Note 5)	I _{COM_ (OFF)}	V+ = +2.75V; V- = -2.75; V _{COM_} = +1V, +2.5V; V _{NO_} = +2.5V, +1V	T _A = +25°C	-0.25	±0.01	0.25	nA
			T _A = T _{MIN} to T _{MAX}	-0.35		0.35	
COM_ On-Leakage Current (Note 5)	I _{COM_ (ON)}	V+ = +2.5V; V- = -2.5; V _{COM_} = +1V, +2.5V; V _{NO_} = +1V, +2.5V, or floating	T _A = +25°C	-0.25	±0.01	0.25	nA
			T _A = T _{MIN} to T _{MAX}	-0.35		0.35	
DIGITAL I/O							
Input Logic High	V _{IH}		2.0			V	
Input Logic Low	V _{IL}				0.4	V	
Input Leakage Current	I _{IH} , I _{IL}	V _{IN_} = 0 or V+	-0.1	0.005	0.1	μA	
Digital Input Capacitance	C _{IN}			2		pF	
DYNAMIC							
Transition Time (Note 5)	t _{TRANS}	V _{NO_} = +1.2V, C _L = 35pF, R _L = 100Ω, Figure 2	T _A = +25°C	16	20	ns	
			T _A = T _{MIN} to T _{MAX}				24
Enable Turn-On Time (Note 5)	t _{ON(EN)}	V _{NO_} = +1.2V, C _L = 35pF, R _L = 100Ω, Figure 4	T _A = +25°C	14	18	ns	
			T _A = T _{MIN} to T _{MAX}				20
Enable Turn-Off Time (Note 5)	t _{OFF(EN)}	V _{NO_} = +1.2V, C _L = 35pF, R _L = 100Ω, Figure 4	T _A = +25°C	5	7	ns	
			T _A = T _{MIN} to T _{MAX}				8
Break-Before-Make (Note 5)	t _{BBM}	V _{NO_} = +1.2V, C _L = 35pF, R _L = 100Ω, Figure 3	T _A = +25°C	8		ns	
			T _A = T _{MIN} to T _{MAX}	1			

Note 2: The algebraic convention, where the most negative value is a minimum and the most positive value a maximum, is used in this data sheet.

Note 3: $\Delta R_{ON} = R_{ON(MAX)} - R_{ON(MIN)}$.

Note 4: Flatness is defined as the difference between the maximum and minimum value of on-resistance as measured over the specified analog signal ranges.

Note 5: Guaranteed by design.

Note 6: Off-Isolation = $20\log_{10}(V_{COM_} / V_{NO_})$, V_{COM_} = output, V_{NO_} = input to off switch.

Note 7: Between any two switches.

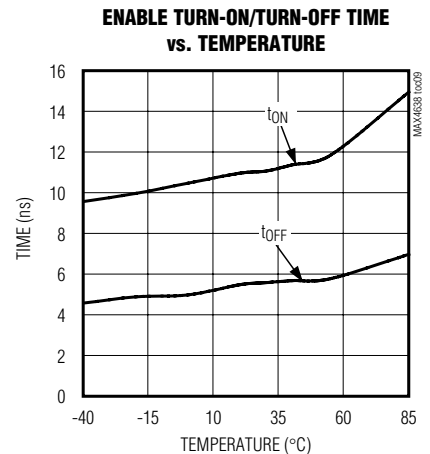
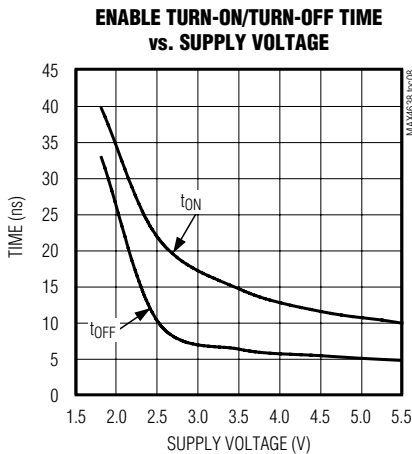
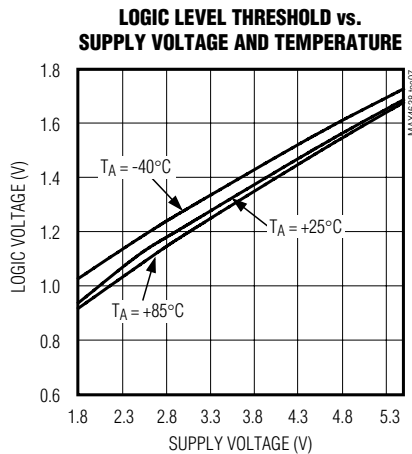
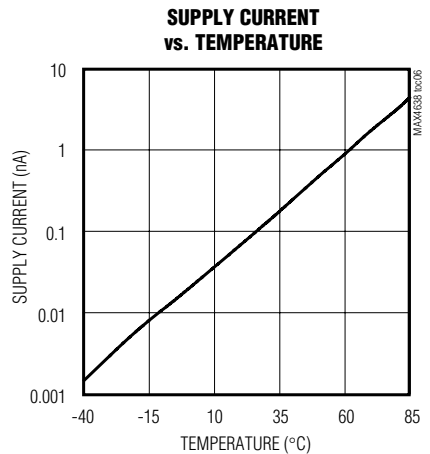
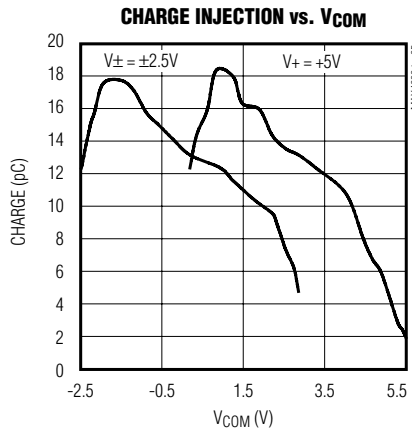
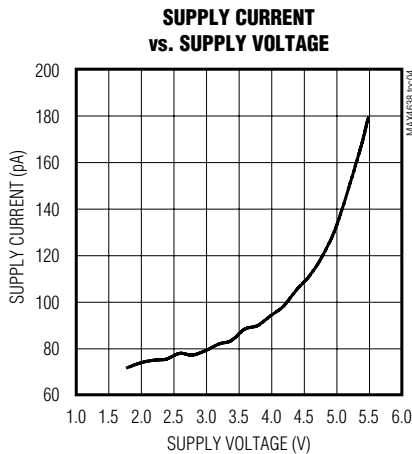
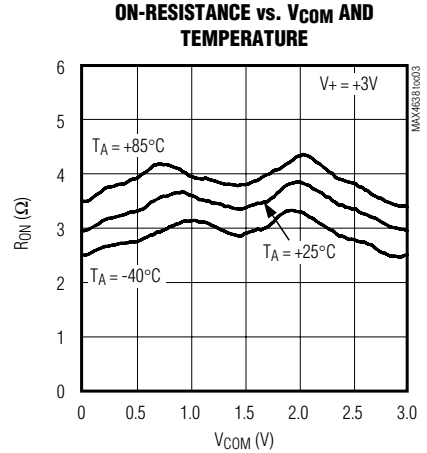
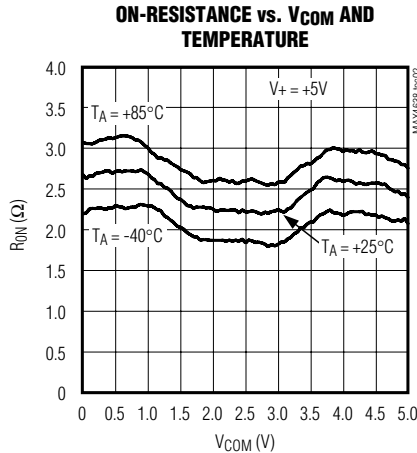
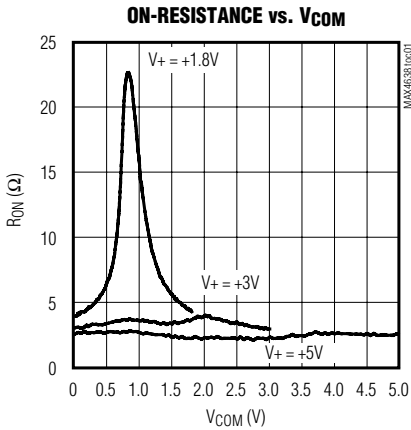
Note 8: ΔR_{ON} matching specifications for QFN packaged parts are guaranteed by design.

3.5Ω, Single 8:1 and Dual 4:1, Low-Voltage Analog Multiplexers

Typical Operating Characteristics

($V_+ = +5V$, $V_- = 0$, $T_A = +25^\circ C$, unless otherwise noted.)

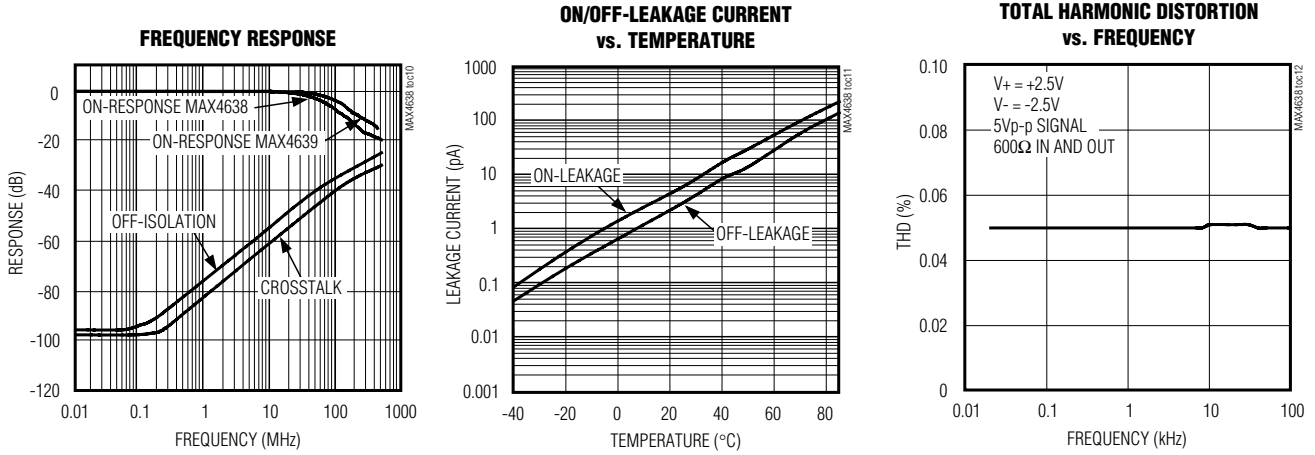
MAX4638/MAX4639



3.5Ω, Single 8:1 and Dual 4:1, Low-Voltage Analog Multiplexers

Typical Operating Characteristics (continued)

(V+ = +5V, V- = 0, T_A = +25°C, unless otherwise noted.)



Pin Description

PIN						NAME	FUNCTION
MAX4638			MAX4639				
DIP/SO	QFN		DIP/SO	QFN			
	16-PIN	20-PIN		16-PIN	20-PIN		
1, 15, 16	15, 14, 13	19, 18, 17	—	—	—	A0, A2, A1	Address Inputs
—	—	—	1, 16	15, 14	19, 17	A0, A1	Address Inputs
2	16	1	2	16	1	EN	Enable
3	1	2	3	1	2	V-	Negative-Supply Voltage Input
4-7	2-5	3-6	—	—	—	NO1-NO4	Bidirectional Analog Inputs
—	—	—	4-7	2-5	3-6	NO1A-NO4A	Bidirectional Analog Inputs
8	6	7	—	—	—	COM	Bidirectional Analog outputs
—	—	—	8, 9	6, 7	7, 9	COMA, COMB	Bidirectional Analog outputs
9-12	7-10	10-13	—	—	—	NO8-NO5	Bidirectional Analog Inputs
—	—	—	10-13	8-11	10-13	NO4B-NO1B	Bidirectional Analog Inputs
13	11	14	14	12	14	V+	Positive-Supply Voltage Input
14	12	15	15	13	15	GND	Ground
—	—	8, 9, 16, 20	—	—	8, 16, 18, 20	N.C.	No Connection

3.5Ω, Single 8:1 and Dual 4:1, Low-Voltage Analog Multiplexers

MAX4638/MAX4639

Detailed Description

The MAX4638/MAX4639 are low-voltage, CMOS analog muxes. The MAX4638 is an 8:1 mux that switches one of eight inputs (NO1–NO8) to a common output (COM) as determined by the 3-bit binary inputs A0, A1, and A2. The MAX4639 is a 4:1 dual mux that switches one of four differential inputs to a common differential output as determined by the 2-bit binary inputs A0 and A1. Both the MAX4638/MAX4639 have an EN input that can be used to enable or disable the device. When disabled, all channels are switched off. See Truth Tables.

Applications Information

Overvoltage Protection

Proper power-supply sequencing is recommended for all CMOS devices. Do not exceed the absolute maximum ratings because stresses beyond the listed ratings can cause permanent damage to the devices. Always sequence V+ on first, then V-, followed by the logic inputs. If power-supply sequencing is not possible, add two small-signal diodes (D1, D2) in series with the supply pins for overvoltage protection (Figure 1). Adding diodes reduces the analog signal range to one diode drop below V+ and one diode drop above V-, but does not affect the devices' low switch resistance. Device operation is unchanged, and the difference between V+ and V- should not exceed 6V. These protection diodes are not recommended when using a single supply. For single-supply operation, V- should be connected to GND as close to the device as possible.

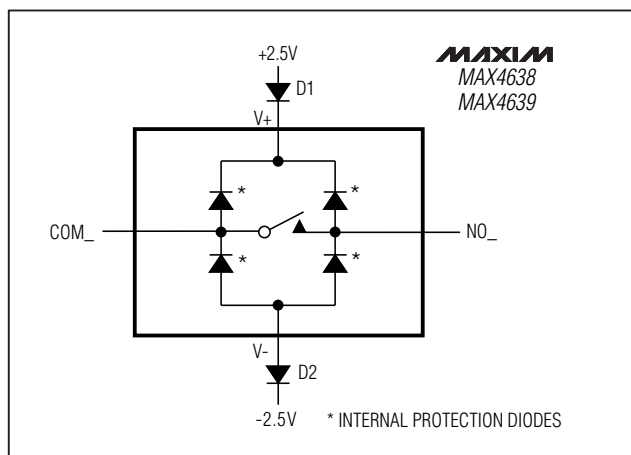


Figure 1. Overvoltage Protection Using External Blocking Diodes

Ordering Information (continued)

PART	TEMP RANGE	PIN-PACKAGE
MAX4639EGE	-40°C to +85°C	16 QFN (4 x 4)
MAX4639EUE	-40°C to +85°C	16 TSSOP
MAX4639ESE	-40°C to +85°C	16 SO
MAX4639EGP	-40°C to +85°C	20 QFN (4 x 4)

Truth Tables

MAX4638 (Single 8-to-1 Mux)

A2	A1	A0	EN	ON SWITCH
X	X	X	0	None
0	0	0	1	NO1
0	0	1	1	NO2
0	1	0	1	NO3
0	1	1	1	NO4
1	0	0	1	NO5
1	0	1	1	NO6
1	1	0	1	NO7
1	1	1	1	NO8

MAX4639 (Dual 4-to-1 Mux)

A1	A0	EN	COMA	COMB
X	X	0	None	None
0	0	1	NO1A	NO1B
0	1	1	NO2A	NO2B
1	0	1	NO3A	NO3B
1	1	1	NO4A	NO4B

3.5Ω, Single 8:1 and Dual 4:1, Low-Voltage Analog Multiplexers

Test Circuits/Timing Diagrams

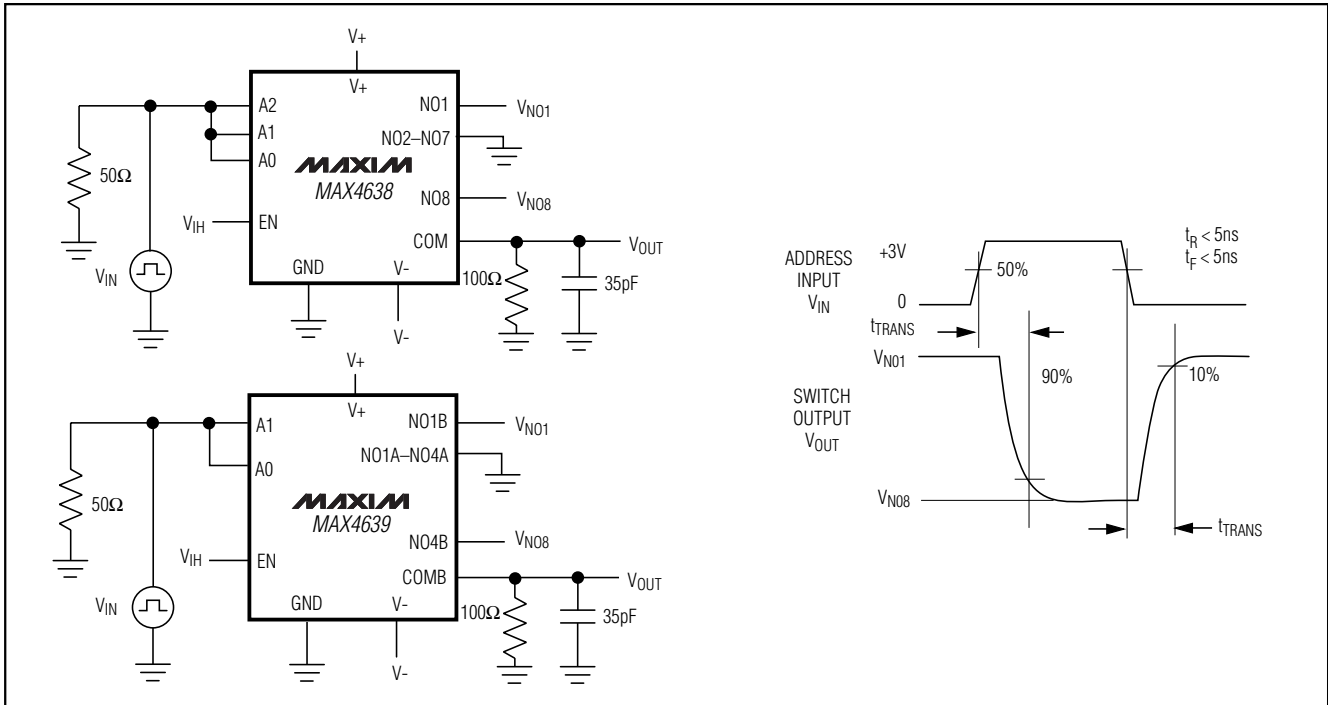


Figure 2. Transition Time

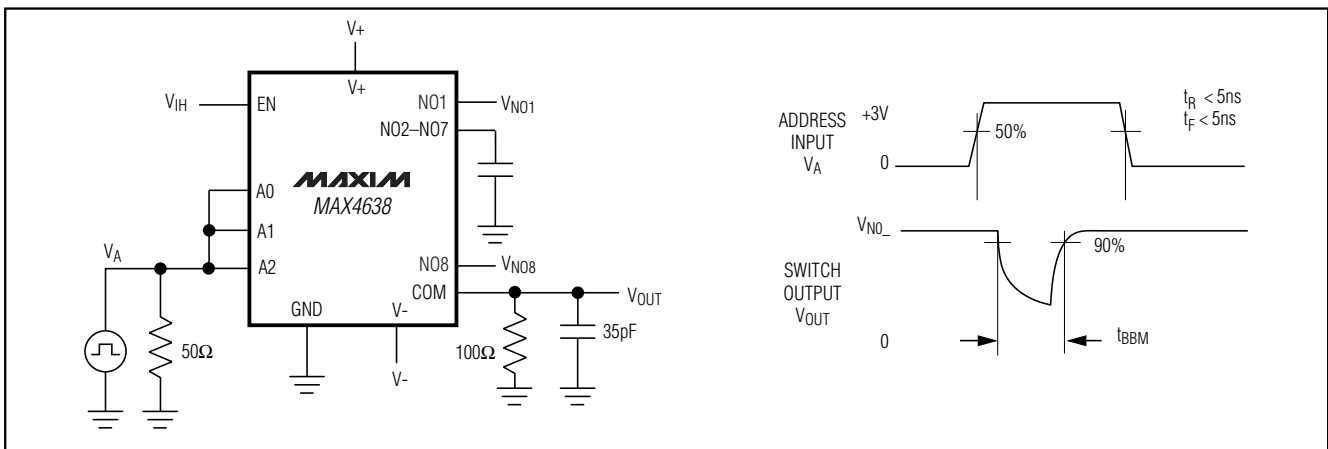


Figure 3. MAX4638 Break-Before-Make Interval

3.5Ω, Single 8:1 and Dual 4:1, Low-Voltage Analog Multiplexers

Test Circuits/Timing Diagrams (continued)

MAX4638/MAX4639

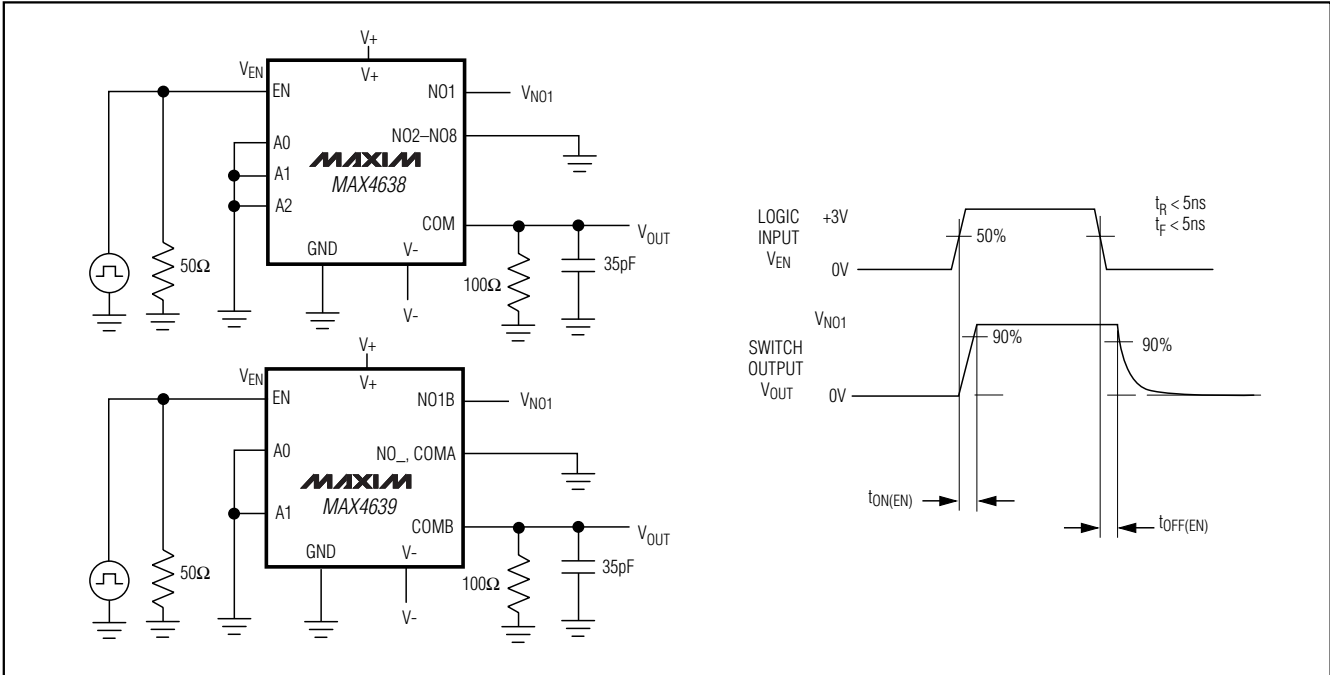


Figure 4. Enable Switching Time

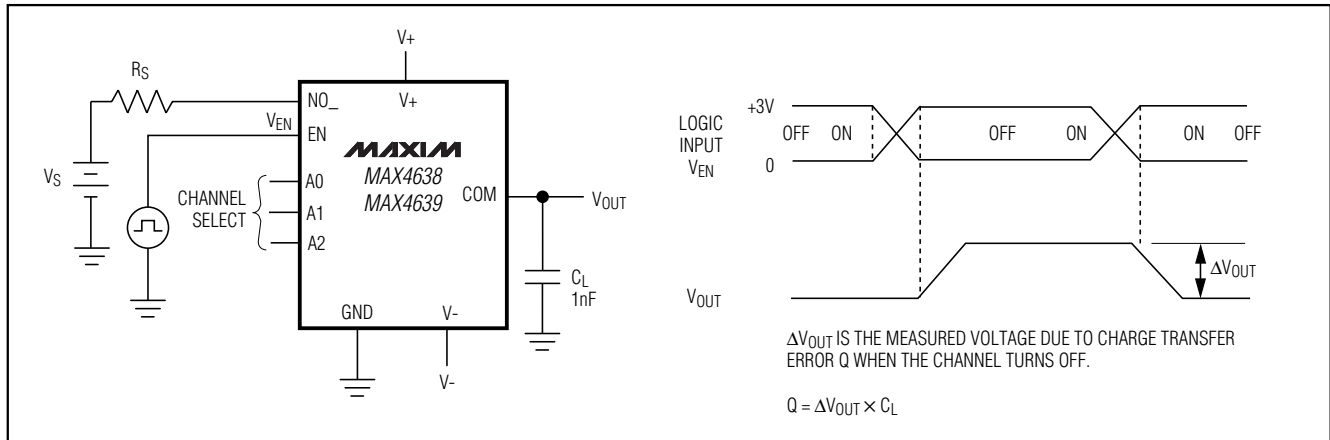


Figure 5. Charge Injection

3.5Ω, Single 8:1 and Dual 4:1, Low-Voltage Analog Multiplexers

Test Circuits/Timing Diagrams (continued)

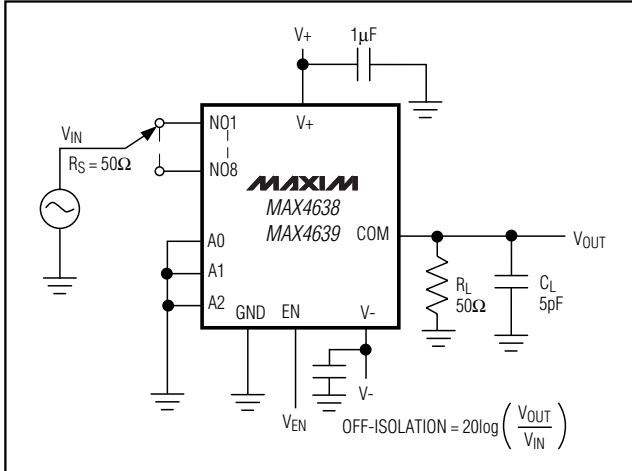


Figure 6. Off-Isolation/On-Channel Bandwidth

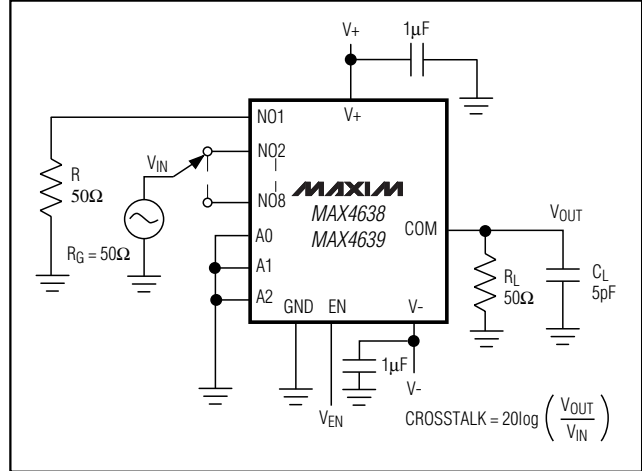


Figure 7. Crosstalk

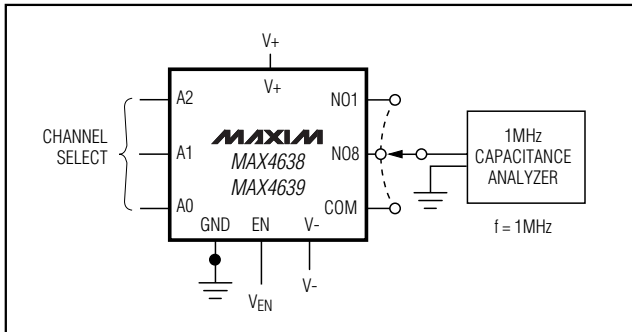


Figure 8. Channel OFF/ON Capacitance

Chip Information

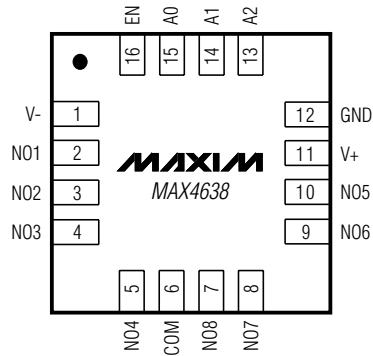
TRANSISTOR COUNT: 632

3.5Ω, Single 8:1 and Dual 4:1, Low-Voltage Analog Multiplexers

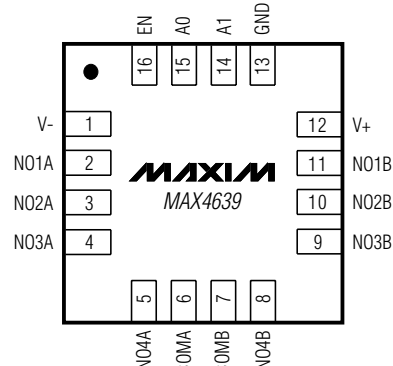
Pin Configurations (continued)

MAX4638/MAX4639

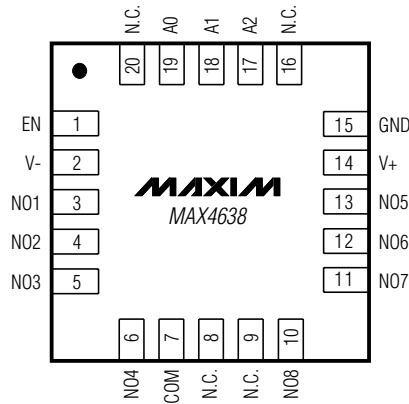
TOP VIEW



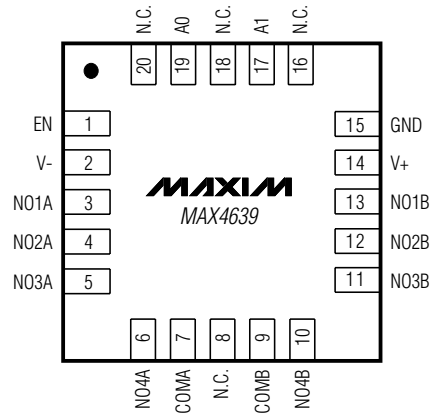
QFN



QFN



QFN



QFN

3.5Ω, Single 8:1 and Dual 4:1, Low-Voltage Analog Multiplexers

Package Information

(The package drawing(s) in this data sheet may not reflect the most current specifications. For the latest package outline information, go to www.maxim-ic.com/packages.)

		COMMON DIMENSIONS			
		MILLIMETERS		INCHES	
		MIN.	MAX.	MIN.	MAX.
A		1.10		.043	
A ₁		0.05	0.15	.002	.006
A ₂		0.85	0.95	.033	.037
b		0.19	0.30	.007	.012
b ₁		0.19	0.25	.007	.010
c		0.090	0.20	.0035	.008
c ₁		0.090	0.135	.0035	.0053
D	SEE VARIATIONS	SEE VARIATIONS		SEE VARIATIONS	
E		4.30	4.50	.169	.177
e		0.65 BSC		.026 BSC	
H		6.25	6.50	.246	.256
L		0.50	0.70	.020	.028
N	SEE VARIATIONS	SEE VARIATIONS		SEE VARIATIONS	
Y		2.85	3.15	.112	.124
α		0°	8°	0°	8°

JEDEC	MO-153	N	VARIATIONS			
			MILLIMETERS		INCHES	
			MIN.	MAX.	MIN.	MAX.
AB	14	D	4.90	5.10	.193	.201
AC	16	D	4.90	5.10	.193	.201
AC-EP	16	D	4.90	5.10	.193	.201
		X	2.85	3.15	.112	.124
AD	20	D	6.40	6.60	.252	.260
AD-EP	20	D	6.40	6.60	.252	.260
		X	4.00	4.34	.157	.171
AE	24	D	7.70	7.90	.303	.311
AF	28	D	9.60	9.80	.378	.386
AF-EP		D	9.60	9.80	.378	.386
		X	5.35	5.65	.211	.222

NOTES:

- DIMENSIONS D AND E DO NOT INCLUDE FLASH.
- MOLD FLASH OR PROTRUSIONS NOT TO EXCEED .15 mm PER SIDE.
- CONTROLLING DIMENSION: MILLIMETER.
- MEETS JEDEC OUTLINE MO-153 VARIATIONS AB, AC, AD, AE, AF.
- DIMENSIONS X AND Y APPLY TO EXPOSED PAD (EP) VERSIONS ONLY.
- EXPOSED PAD FLUSH WITH BOTTOM OF PACKAGE WITHIN .002".

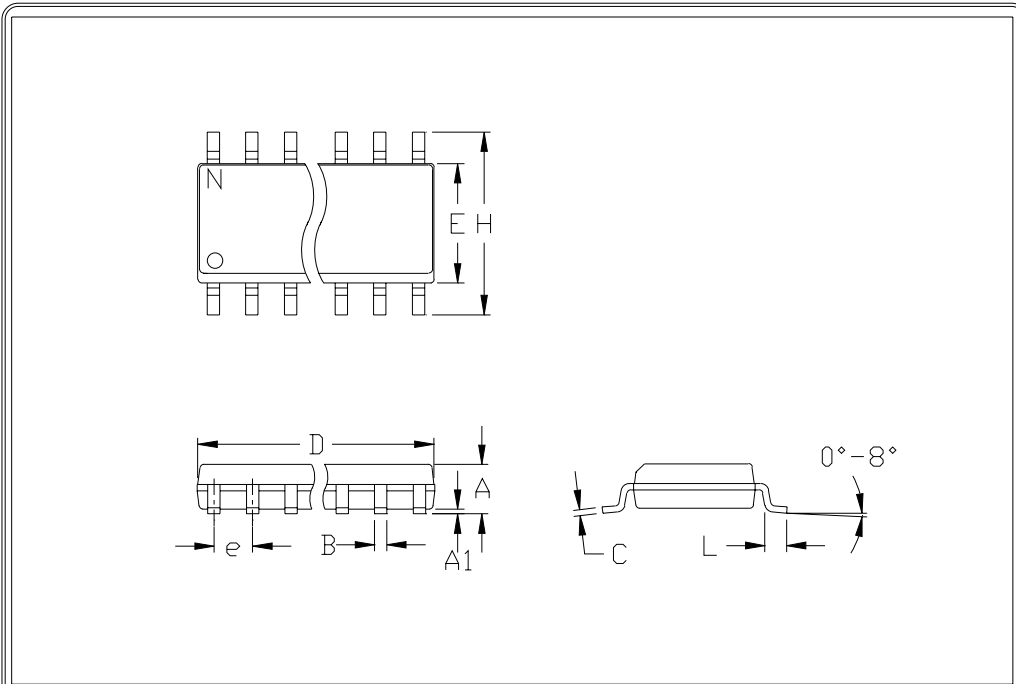
TSSOP EP8

3.5Ω, Single 8:1 and Dual 4:1, Low-Voltage Analog Multiplexers

Package Information (continued)

(The package drawing(s) in this data sheet may not reflect the most current specifications. For the latest package outline information, go to www.maxim-ic.com/packages.)

MAX4638/MAX4639



	INCHES		MILLIMETERS	
	MIN	MAX	MIN	MAX
A	0.053	0.069	1.35	1.75
A1	0.004	0.010	0.10	0.25
B	0.014	0.019	0.35	0.49
C	0.007	0.010	0.19	0.25
e	0.050		1.27	
E	0.150	0.157	3.80	4.00
H	0.228	0.244	5.80	6.20
h	0.010	0.020	0.25	0.50
L	0.016	0.050	0.40	1.27

	INCHES		MILLIMETERS		N	MS012
	MIN	MAX	MIN	MAX		
D	0.189	0.197	4.80	5.00	8	A
D	0.337	0.344	8.55	8.75	14	B
D	0.386	0.394	9.80	10.00	16	C

NOTES:

1. D&E DO NOT INCLUDE MOLD FLASH
2. MOLD FLASH OR PROTRUSIONS NOT TO EXCEED .15mm (.006")
3. LEADS TO BE COPLANAR WITHIN .102mm (.004")
4. CONTROLLING DIMENSION: MILLIMETER
5. MEETS JEDEC MS012-XX AS SHOWN IN ABOVE TABLE
6. N = NUMBER OF PINS



PACKAGE FAMILY OUTLINE: SOIC .150"

1/1

21-0041 A
DOCUMENT CONTROL NUMBER REV

Maxim cannot assume responsibility for use of any circuitry other than circuitry entirely embodied in a Maxim product. No circuit patent licenses are implied. Maxim reserves the right to change the circuitry and specifications without notice at any time.

Maxim Integrated Products, 120 San Gabriel Drive, Sunnyvale, CA 94086 408-737-7600 _____ 15



Стандарт Электрон Связь

Мы молодая и активно развивающаяся компания в области поставок электронных компонентов. Мы поставляем электронные компоненты отечественного и импортного производства напрямую от производителей и с крупнейших складов мира.

Благодаря сотрудничеству с мировыми поставщиками мы осуществляем комплексные и плановые поставки широчайшего спектра электронных компонентов.

Собственная эффективная логистика и склад в обеспечивает надежную поставку продукции в точно указанные сроки по всей России.

Мы осуществляем техническую поддержку нашим клиентам и предпродажную проверку качества продукции. На все поставляемые продукты мы предоставляем гарантию .

Осуществляем поставки продукции под контролем ВП МО РФ на предприятия военно-промышленного комплекса России , а также работаем в рамках 275 ФЗ с открытием отдельных счетов в уполномоченном банке. Система менеджмента качества компании соответствует требованиям ГОСТ ISO 9001.

Минимальные сроки поставки, гибкие цены, неограниченный ассортимент и индивидуальный подход к клиентам являются основой для выстраивания долгосрочного и эффективного сотрудничества с предприятиями радиоэлектронной промышленности, предприятиями ВПК и научно-исследовательскими институтами России.

С нами вы становитесь еще успешнее!

Наши контакты:

Телефон: +7 812 627 14 35

Электронная почта: sales@st-electron.ru

Адрес: 198099, Санкт-Петербург,
Промышленная ул, дом № 19, литера Н,
помещение 100-Н Офис 331