



ADVANCE

S34ML08G2

**8 Gb, 4-bit ECC, x8 I/O and 3 V V_{CC}
NAND Flash Memory for Embedded**

Distinctive Characteristics

- Density
 - 8 Gb (4 Gb x 2)
- Architecture (For each 4 Gb device)
 - Input / Output Bus Width: 8-bits
 - Page Size: (2048 + 128) bytes; 128-byte spare area
 - Block Size: 64 Pages or (128k + 8k) bytes
 - Plane Size
 - 2048 Blocks per Plane or (256M + 16M) bytes
 - Device Size
 - 2 Planes per Device or 512 Mbyte
- NAND Flash Interface
 - Open NAND Flash Interface (ONFI) 1.0 compliant
 - Address, Data and Commands multiplexed
- Supply Voltage
 - 3.3V device: V_{cc} = 2.7V ~ 3.6V
- Security
 - One Time Programmable (OTP) area
 - Serial number (unique ID)
 - Hardware program/erase disabled during power transition
- Additional Features
 - Supports Multiplane Program and Erase commands
 - Supports Copy Back Program
 - Supports Multiplane Copy Back Program
 - Supports Read Cache
- Electronic Signature
 - Manufacturer ID: 01h
- Operating Temperature
 - Industrial: -40°C to 85°C
 - industrial Plus: -40°C to 105°C

Performance

- Page Read / Program
 - Random access: 30 μs (Max)
 - Sequential access: 25 ns (Min)
 - Program time / Multiplane Program time: 300 μs (Typ)
- Block Erase / Multiplane Erase
 - Block Erase time: 3.5 ms (Typ)
- Reliability
 - 100,000 Program / Erase cycles (Typ)
(with 4-bit ECC per 528 bytes)
 - 10 Year Data retention (Typ)
 - Blocks zero and one are valid and will be valid for at least 1000 program-erase cycles with ECC
- Package Options
 - Lead Free and Low Halogen
 - 48-Pin TSOP 12 x 20 x 1.2 mm
 - 63-Ball BGA 11 x 9 x 1 mm

Contents

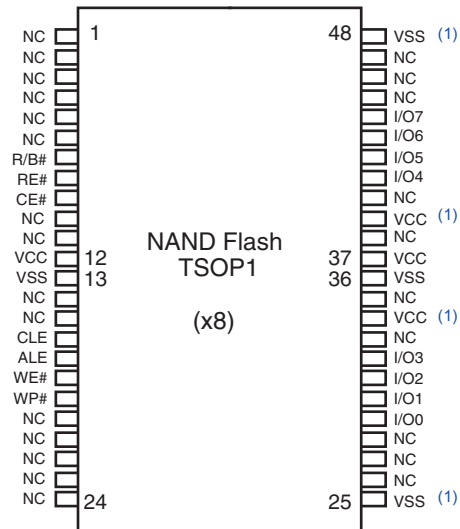
| | | | |
|--|---|---|----|
| Distinctive Characteristics | 2 | 8. Electrical Characteristics | 11 |
| Performance | 2 | 8.1 Valid Blocks | 11 |
| 1. General Description | 4 | 8.2 DC Characteristics | 11 |
| 2. Connection Diagram | 4 | 8.3 Pin Capacitance..... | 12 |
| 3. Pin Description | 5 | 8.4 Power Consumptions and Pin Capacitance for Allowed Stacking Configurations | 12 |
| 4. Block Diagrams | 6 | 9. Physical Interface | 13 |
| 5. Addressing | 7 | 9.1 Physical Diagram | 13 |
| 6. Read Status Enhanced | 8 | 10. Ordering Information | 15 |
| 7. Read ID | 8 | 11. Revision History | 16 |
| 7.1 Read Parameter Page | 9 | | |

1. General Description

The Cypress® S34ML08G2 8-Gb NAND is offered in 3.3 V_{CC} with x8 I/O interface. This document contains information for the S34ML08G2 device, which is a dual-die stack of two S34ML04G2 die. For detailed specifications, please refer to the discrete die data sheet: [S34ML01G2_04G2](#).

2. Connection Diagram

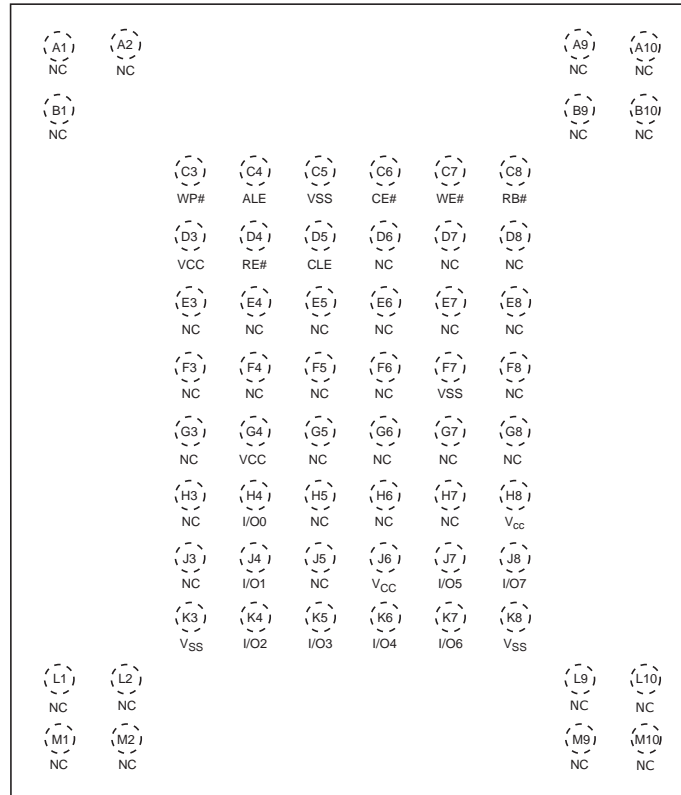
Figure 2.1 48-Pin TSOP1 Contact x8 Device (1 CE 8 Gb)



Note:

1. These pins should be connected to power supply or ground (as designated) following the ONFI specification, however they might not be bonded internally.

Figure 2.2 63-BGA Contact, x8 Device, Single CE (Top View)



3. Pin Description

Table 3.1 Pin Description

| Pin Name | Description |
|-------------|---|
| I/O0 - I/O7 | Inputs/Outputs. The I/O pins are used for command input, address input, data input, and data output. The I/O pins float to High-Z when the device is deselected or the outputs are disabled. |
| CLE | Command Latch Enable. This input activates the latching of the I/O inputs inside the Command Register on the rising edge of Write Enable (WE#). |
| ALE | Address Latch Enable. This input activates the latching of the I/O inputs inside the Address Register on the rising edge of Write Enable (WE#). |
| CE# | Chip Enable. This input controls the selection of the device. When the device is not busy CE# low selects the memory. |
| WE# | Write Enable. This input latches Command, Address and Data. The I/O inputs are latched on the rising edge of WE#. |
| RE# | Read Enable. The RE# input is the serial data-out control, and when active drives the data onto the I/O bus. Data is valid t_{REA} after the falling edge of RE# which also increments the internal column address counter by one. |
| WP# | Write Protect. The WP# pin, when low, provides hardware protection against undesired data modification (program / erase). |
| R/B# | Ready Busy. The Ready/Busy output is an Open Drain pin that signals the state of the memory. |
| VCC | Supply Voltage. The V_{CC} supplies the power for all the operations (Read, Program, Erase). An internal lock circuit prevents the insertion of Commands when V_{CC} is less than V_{LKO} . |
| VSS | Ground. |
| NC | Not Connected. |

Notes:

1. A 0.1 μ F capacitor should be connected between the V_{CC} Supply Voltage pin and the V_{SS} Ground pin to decouple the current surges from the power supply. The PCB track widths must be sufficient to carry the currents required during program and erase operations.
2. An internal voltage detector disables all functions whenever V_{CC} is below 1.8V to protect the device from any involuntary program/erase during power transitions.

4. Block Diagrams

Figure 4.1 Functional Block Diagram — 8 Gb

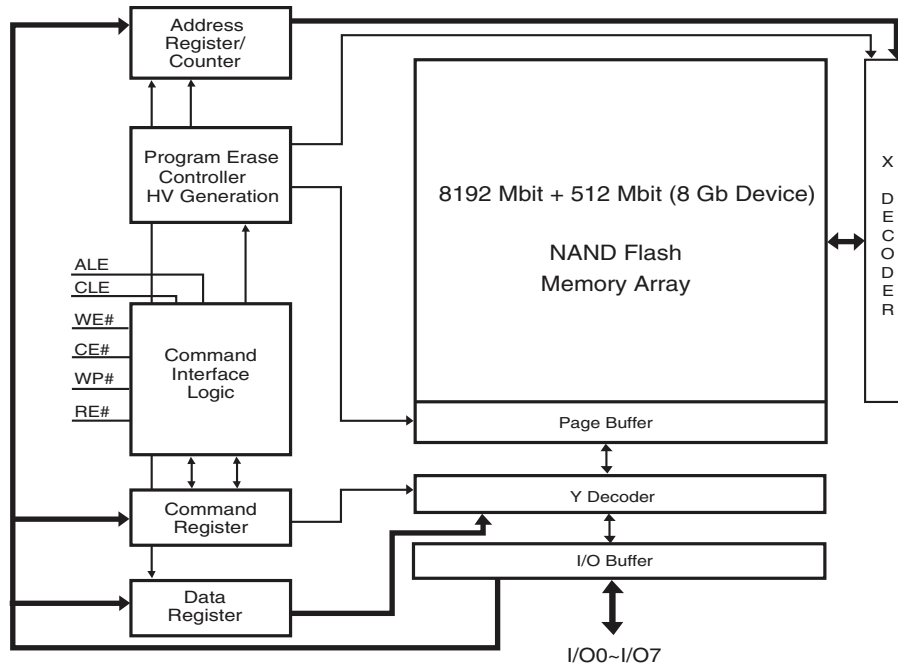
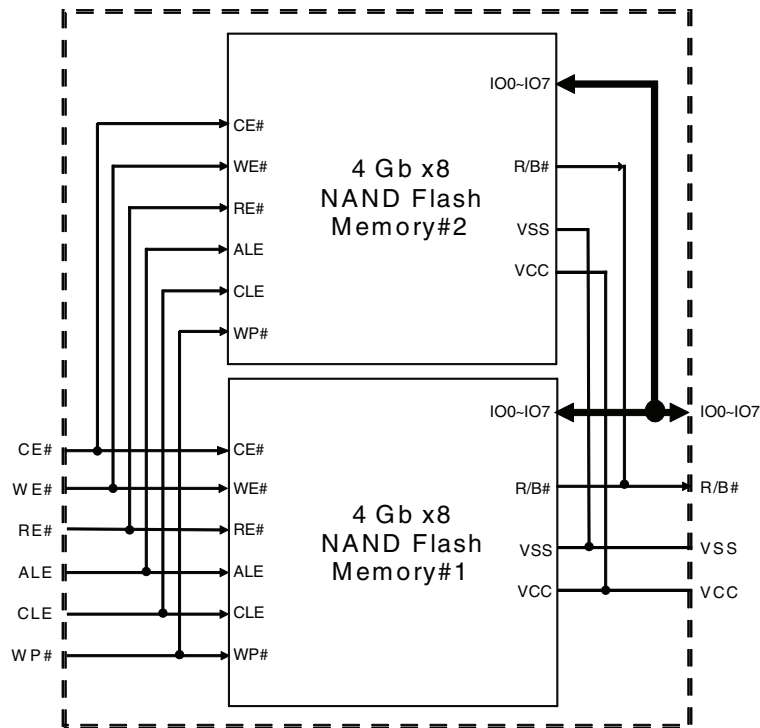


Figure 4.2 Block Diagram — 1 CE (4 Gb x 8)



5. Addressing

Table 5.1 Address Cycle Map

| Bus Cycle | I/O0 | I/O1 | I/O2 | I/O3 | I/O4 | I/O5 | I/O6 | I/O7 |
|-------------------------|-----------|------------|------------|------------|-----------|-----------|------------|-----------|
| 1st / Col. Add. 1 | A0 (CA0) | A1 (CA1) | A2 (CA2) | A3 (CA3) | A4 (CA4) | A5 (CA5) | A6 (CA6) | A7 (CA7) |
| 2nd / Col. Add. 2 | A8 (CA8) | A9 (CA9) | A10 (CA10) | A11 (CA11) | Low | Low | Low | Low |
| 3rd / Row Add. 1 | A12 (PA0) | A13 (PA1) | A14 (PA2) | A15 (PA3) | A16 (PA4) | A17 (PA5) | A18 (PLA0) | A19 (BA0) |
| 4th / Row Add. 2 | A20 (BA1) | A21 (BA2) | A22 (BA3) | A23 (BA4) | A24 (BA5) | A25 (BA6) | A26 (BA7) | A27 (BA8) |
| 5th / Row Add. 3 (6) | A28 (BA9) | A29 (BA10) | A30 (BA11) | Low | Low | Low | Low | Low |

Notes:

1. CAx = Column Address bit.
2. PAx = Page Address bit.
3. PLA0 = Plane Address bit zero.
4. BAx = Block Address bit.
5. Block address concatenated with page address and plane address = actual page address, also known as the row address.
6. A30 for 8 Gb (4 Gb x 2 – DDP) (1CE).

For the address bits, the following rules apply:

- A0 - A11: column address in the page
- A12 - A17: page address in the block
- A18: plane address (for multiplane operations) / block address (for normal operations)
- A19 - A30: block address

6. Read Status Enhanced

Read Status Enhanced is used to retrieve the status value for a previous operation in the following cases:

- In the case of concurrent operations on a multi-die stack.

When two dies are stacked to form a dual-die package (DDP), it is possible to run one operation on the first die, then activate a different operation on the second die, for example: Erase while Read, Read while Program, etc.

- In the case of multiplane operations in the same die.

7. Read ID

The device contains a product identification mode, initiated by writing 90h to the command register, followed by an address input of 00h.

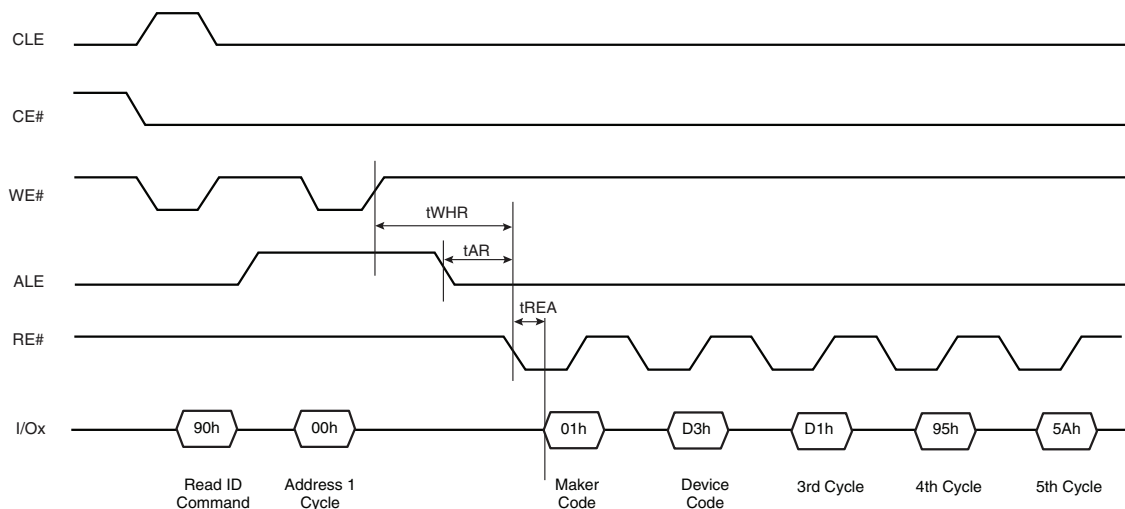
Note: If you want to execute Read Status command (0x70) after Read ID sequence, you should input dummy command (0x00) before Read Status command (0x70).

For the S34ML08G2 device, five read cycles sequentially output the manufacturer code (01h), and the device code and 3rd, 4th, and 5th cycle ID, respectively. The command register remains in Read ID mode until further commands are issued to it.

Table 7.1 Read ID for Supported Configurations

| Density | Org | V _{CC} | 1st | 2nd | 3rd | 4th | 5th |
|---------------------------------------|-----|-----------------|-----|-----|-----|-----|-----|
| 4 Gb | x8 | 3.3V | 01h | DCh | 90h | 95h | 56h |
| 8 Gb (4 Gb x 2 – DDP with one CE#) | x8 | 3.3V | 01h | D3h | D1h | 95h | 5Ah |

Figure 7.1 Read ID Operation Timing — 8 Gb



5th ID Data

Table 7.2 Read ID Byte 5 Description

| | Description | I/O7 | I/O6 I/O5 I/O4 | I/O3 I/O2 | I/O1 I/O0 |
|------------------------------------|-------------------|------|----------------|-----------|-----------|
| ECC Level | 1 bit / 512 bytes | | | | 0 0 |
| | 2 bit / 512 bytes | | | | 0 1 |
| | 4 bit / 512 bytes | | | | 1 0 |
| | 8 bit / 512 bytes | | | | 1 1 |
| Plane Number | 1 | | | 0 0 | |
| | 2 | | | 0 1 | |
| | 4 | | | 1 0 | |
| | 8 | | | 1 1 | |
| Plane Size (without spare area) | 64 Mb | | 0 0 0 | | |
| | 128 Mb | | 0 0 1 | | |
| | 256 Mb | | 0 1 0 | | |
| | 512 Mb | | 0 1 1 | | |
| | 1 Gb | | 1 0 0 | | |
| | 2 Gb | | 1 0 1 | | |
| | 4 Gb | | 1 1 0 | | |
| Reserved | | 0 | | | |

7.1 Read Parameter Page

The device supports the ONFI Read Parameter Page operation, initiated by writing ECh to the command register, followed by an address input of 00h. The command register remains in Parameter Page mode until further commands are issued to it. [Table 7.3](#) explains the parameter fields.

Table 7.3 Parameter Page Description (Sheet 1 of 3)

| Byte | O/M | Description | Values |
|--|-----|--|--------------------|
| Revision Information and Features Block | | | |
| 0-3 | M | Parameter page signature Byte 0: 4Fh, "O" Byte 1: 4Eh, "N" Byte 2: 46h, "F" Byte 3: 49h, "I" | 4Fh, 4Eh, 46h, 49h |
| 4-5 | M | Revision number 2-15 Reserved (0) 1 1 = supports ONFI version 1.0 0 Reserved (0) | 02h, 00h |
| 6-7 | M | Features supported 5-15 Reserved (0) 4 1 = supports odd to even page Copyback 3 1 = supports interleaved operations 2 1 = supports non-sequential page programming 1 1 = supports multiple LUN operations 0 1 = supports 16-bit data bus width | 1Eh, 00h |
| 8-9 | M | Optional commands supported 6-15 Reserved (0) 5 1 = supports Read Unique ID 4 1 = supports Copyback 3 1 = supports Read Status Enhanced 2 1 = supports Get Features and Set Features 1 1 = supports Read Cache commands 0 1 = supports Page Cache Program command | 3Bh, 00h |
| 10-31 | | Reserved (0) | 00h |

Table 7.3 Parameter Page Description (Sheet 2 of 3)

| Byte | O/M | Description | Values |
|---------------------------------------|-----|--|---|
| Manufacturer Information Block | | | |
| 32-43 | M | Device manufacturer (12 ASCII characters) | 53h, 50h, 41h, 4Eh, 53h, 49h, 4Fh, 4Eh, 20h, 20h, 20h, 20h |
| 44-63 | M | Device model (20 ASCII characters) | 53h, 33h, 34h, 4Dh, 4Ch, 30h, 38h, 47h, 32h, 20h, 20h, 20h, 20h, 20h, 20h, 20h, 20h, 20h, 20h |
| 64 | M | JEDEC manufacturer ID | 01h |
| 65-66 | O | Date code | 00h |
| 67-79 | | Reserved (0) | 00h |
| Memory Organization Block | | | |
| 80-83 | M | Number of data bytes per page | 00h, 08h, 00h, 00h |
| 84-85 | M | Number of spare bytes per page | 80h, 00h |
| 86-89 | M | Number of data bytes per partial page | 00h, 00h, 00h, 00h |
| 90-91 | M | Number of spare bytes per partial page | 00h, 00h |
| 92-95 | M | Number of pages per block | 40h, 00h, 00h, 00h |
| 96-99 | M | Number of blocks per logical unit (LUN) | 00h, 10h, 00h, 00h |
| 100 | M | Number of logical units (LUNs) | 02h |
| 101 | M | Number of address cycles 4-7 Column address cycles 0-3 Row address cycles | 23h |
| 102 | M | Number of bits per cell | 01h |
| 103-104 | M | Bad blocks maximum per LUN | 50h, 00h |
| 105-106 | M | Block endurance | 01h, 05h |
| 107 | M | Guaranteed valid blocks at beginning of target | 01h |
| 108-109 | M | Block endurance for guaranteed valid blocks | 01h, 03h |
| 110 | M | Number of programs per page | 04h |
| 111 | M | Partial programming attributes 5-7 Reserved 4 1 = partial page layout is partial page data followed by partial page spare 1-3 Reserved 0 1 = partial page programming has constraints | 00h |
| 112 | M | Number of bits ECC correctability | 04h |
| 113 | M | Number of interleaved address bits 4-7 Reserved (0) 0-3 Number of interleaved address bits | 01h |
| 114 | O | Interleaved operation attributes 4-7 Reserved (0) 3 Address restrictions for program cache 2 1 = program cache supported 1 1 = no block address restrictions 0 Overlapped / concurrent interleaving support | 04h |
| 115-127 | | Reserved (0) | 00h |
| Electrical Parameters Block | | | |
| 128 | M | I/O pin capacitance | 0Ah |
| 129-130 | M | Timing mode support 6-15 Reserved (0) 5 1 = supports timing mode 5 4 1 = supports timing mode 4 3 1 = supports timing mode 3 2 1 = supports timing mode 2 1 1 = supports timing mode 1 0 1 = supports timing mode 0, shall be 1 | 1Fh, 00h |

Table 7.3 Parameter Page Description (Sheet 3 of 3)

| Byte | O/M | Description | Values |
|----------------------------------|-----|--|-----------------------------|
| 131-132 | O | Program cache timing mode support 6-15 Reserved (0) 5 1 = supports timing mode 5 4 1 = supports timing mode 4 3 1 = supports timing mode 3 2 1 = supports timing mode 2 1 1 = supports timing mode 1 0 1 = supports timing mode 0 | 1Fh, 00h |
| 133-134 | M | t _{PROG} Maximum page program time (μs) | BCh, 02h |
| 135-136 | M | t _{BERS} Maximum block erase time (μs) | 10h, 27h |
| 137-138 | M | t _R Maximum page read time (μs) | 1Eh, 00h |
| 139-140 | M | t _{CCS} Minimum Change Column setup time (ns) | C8h, 00h |
| 141-163 | | Reserved (0) | 00h |
| Vendor Block | | | |
| 164-165 | M | Vendor specific Revision number | 00h |
| 166-253 | | Vendor specific | 00h |
| 254-255 | M | Integrity CRC | 16h, 26h |
| Redundant Parameter Pages | | | |
| 256-511 | M | Value of bytes 0-255 | Repeat Value of bytes 0-255 |
| 512-767 | M | Value of bytes 0-255 | Repeat Value of bytes 0-255 |
| 768+ | O | Additional redundant parameter pages | FFh |

Note:

1. "O" Stands for Optional, "M" for Mandatory.

8. Electrical Characteristics

8.1 Valid Blocks

Table 8.1 Valid Blocks

| Device | Symbol | Min | Typ | Max | Unit |
|-----------|-----------------|----------|-----|------|--------|
| S34ML04G2 | N _{VB} | 4016 | — | 4096 | Blocks |
| S34ML08G2 | N _{VB} | 8032 (1) | — | 8192 | Blocks |

Note:

1. Each 4 Gb has maximum 80 bad blocks.

8.2 DC Characteristics

Table 8.2 DC Characteristics and Operating Conditions

| Parameter | Symbol | Test Conditions | Min | Typ | Max | Units |
|-------------------|------------------|--|-----|-----|---------------|-------|
| Power On Current | I _{CC0} | FFh command input after power on | — | — | 50 per device | mA |
| Operating Current | Sequential Read | t _{RC} = t _{RC} (min) CE# = V _{IL} , I _{out} = 0 mA | — | 15 | 30 | mA |
| | Program | Normal | — | 15 | 30 | mA |
| | | Cache | — | — | 15 | 30 |
| Erase | I _{CC3} | — | — | 15 | 30 | mA |

Table 8.2 DC Characteristics and Operating Conditions

| Parameter | Symbol | Test Conditions | Min | Typ | Max | Units |
|--|-----------------|---|---------------------|-----|---------------------|---------|
| Standby Current, (TTL) | I_{CC4} | CE# = V_{IH} , WP# = 0V/ V_{CC} | — | — | 1 | mA |
| Standby Current, (CMOS) | I_{CC5} | CE# = $V_{CC}-0.2$, WP# = 0/ V_{CC} | — | 10 | 50 | μ A |
| Input Leakage Current | I_{LI} | $V_{IN} = 0$ to $V_{CC}(\max)$ | — | — | ± 10 | μ A |
| Output Leakage Current | I_{LO} | $V_{OUT} = 0$ to $V_{CC}(\max)$ | — | — | ± 10 | μ A |
| Input High Voltage | V_{IH} | — | $V_{CC} \times 0.8$ | — | $V_{CC} + 0.3$ | V |
| Input Low Voltage | V_{IL} | — | -0.3 | — | $V_{CC} \times 0.2$ | V |
| Output High Voltage | V_{OH} | $I_{OH} = -400 \mu$ A | 2.4 | — | — | V |
| Output Low Voltage | V_{OL} | $I_{OL} = 2.1$ mA | — | — | 0.4 | V |
| Output Low Current (R/B#) | $I_{OL(R/B\#)}$ | $V_{OL} = 0.4$ V | 8 | 10 | — | mA |
| V_{CC} Supply Voltage (erase and program lockout) | V_{LKO} | — | — | 1.8 | — | V |

Notes:

1. All V_{CCQ} and V_{CC} pins, and V_{SS} and V_{SSQ} pins respectively are shorted together.
2. Values listed in this table refer to the complete voltage range for V_{CC} and V_{CCQ} and to a single device in case of device stacking.
3. All current measurements are performed with a 0.1 μ F capacitor connected between the V_{CC} Supply Voltage pin and the V_{SS} Ground pin.
4. Standby current measurement can be performed after the device has completed the initialization process at power up.

8.3 Pin Capacitance

Table 8.3 Pin Capacitance (TA = 25°C, f=1.0 MHz)

| Parameter | Symbol | Test Condition | Min | Max | Unit |
|----------------|----------|----------------|-----|-----|------|
| Input | C_{IN} | $V_{IN} = 0$ V | — | 10 | pF |
| Input / Output | C_{IO} | $V_{IL} = 0$ V | — | 10 | pF |

Note:

1. For the stacked devices version the Input is 10 pF x [number of stacked chips] and the Input/Output is 10 pF x [number of stacked chips].

8.4 Power Consumptions and Pin Capacitance for Allowed Stacking Configurations

When multiple dies are stacked in the same package, the power consumption of the stack will increase according to the number of chips. As an example, the standby current is the sum of the standby currents of all the chips, while the active power consumption depends on the number of chips concurrently executing different operations.

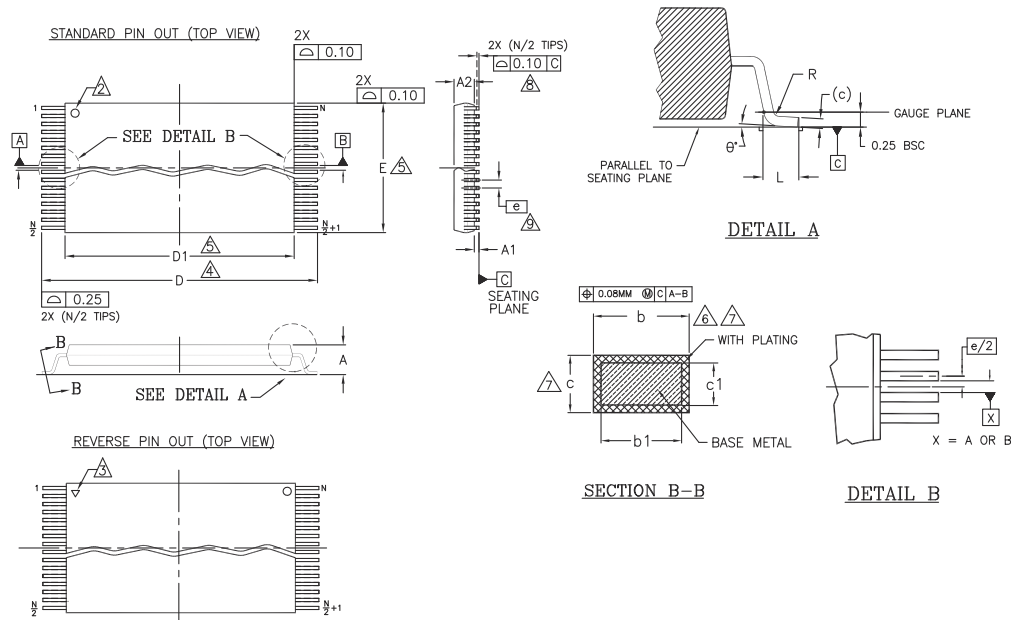
When multiple dies are stacked in the same package the pin/ball capacitance for the single input and the single input/output of the combo package must be calculated based on the number of chips sharing that input or that pin/ball.

9. Physical Interface

9.1 Physical Diagram

9.1.1 48-Pin Thin Small Outline Package (TSOP1)

Figure 9.1 TS2 48 — 48-lead Plastic Thin Small Outline, 12 x 20 mm, Package Outline



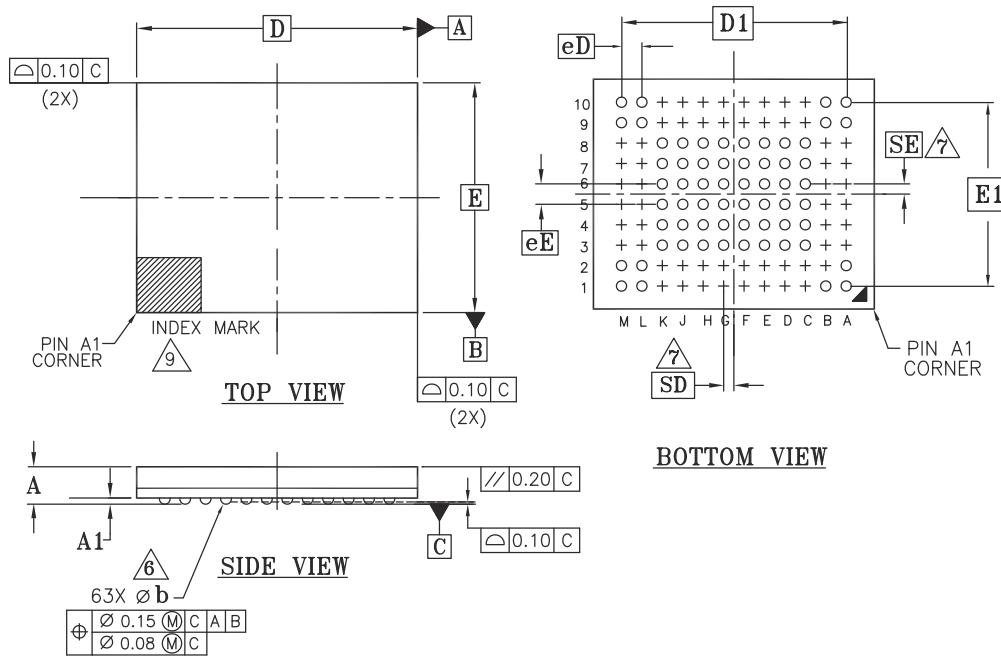
| PACKAGE | TS2 48 | | |
|---------|---------------|-------|-------|
| JEDEC | MO-142 (D) DD | | |
| SYMBOL | MIN | NOM | MAX |
| A | --- | --- | 1.20 |
| A1 | 0.05 | --- | 0.15 |
| A2 | 0.95 | 1.00 | 1.05 |
| b1 | 0.17 | 0.20 | 0.23 |
| b | 0.17 | 0.22 | 0.27 |
| c1 | 0.10 | --- | 0.16 |
| c | 0.10 | --- | 0.21 |
| D | 19.80 | 20.00 | 20.20 |

NOTES:

1. DIMENSIONS ARE IN MILLIMETERS (mm). (DIMENSIONING AND TOLERANCING CONFORM TO ANSI Y14.5M-1994).
2. PIN 1 IDENTIFIER FOR STANDARD PIN OUT (DIE UP).
3. PIN 1 IDENTIFIER FOR REVERSE PIN OUT (DIE DOWN); INK OR LASER MARK.
4. TO BE DETERMINED AT THE SEATING PLANE [-C-]. THE SEATING PLANE IS DEFINED AS THE PLANE OF CONTACT THAT IS MADE WHEN THE PACKAGE LEADS ARE ALLOWED TO REST FREELY ON A FLAT HORIZONTAL SURFACE.
5. DIMENSIONS D1 AND E DO NOT INCLUDE MOLD PROTRUSION. ALLOWABLE MOLD PROTRUSION ON E IS 0.15mm PER SIDE AND ON D1 IS 0.25mm PER SIDE.
6. DIMENSION b DOES NOT INCLUDE DAMBAR PROTRUSION. ALLOWABLE DAMBAR PROTRUSION SHALL BE 0.08mm TOTAL IN EXCESS OF b DIMENSION AT MAX. MATERIAL CONDITION. DAMBAR CANNOT BE LOCATED ON LOWER RADIUS OR THE

9.1.2 63-Pin Ball Grid Array (BGA)

Figure 9.2 VLD063 — 63-Pin BGA, 11 mm x 9 mm Package



| PACKAGE | VLD 063 | | | NOTE |
|-----------------|--|------|------|--------------------------|
| JEDEC | M0-207(M) | | | |
| | 11.00 mm x 9.00 mm PACKAGE | | | |
| SYMBOL | MIN | NOM | MAX | NOTE |
| A | --- | --- | 1.00 | PROFILE |
| A1 | 0.25 | --- | --- | BALL HEIGHT |
| D | 11.00 BSC. | | | BODY SIZE |
| E | 9.00 BSC. | | | BODY SIZE |
| D1 | 8.80 BSC. | | | MATRIX FOOTPRINT |
| E1 | 7.20 BSC. | | | MATRIX FOOTPRINT |
| MD | 12 | | | MATRIX SIZE D DIRECTION |
| ME | 10 | | | MATRIX SIZE E DIRECTION |
| n | 63 | | | BALL COUNT |
| $\varnothing b$ | 0.40 | 0.45 | 0.50 | BALL DIAMETER |
| eE | 0.80 BSC. | | | BALL PITCH |
| eD | 0.80 BSC. | | | BALL PITCH |
| SD | 0.40 BSC. | | | SOLDER BALL PLACEMENT |
| SE | 0.40 BSC. | | | SOLDER BALL PLACEMENT |
| | A3-A8, B2-B8, C1, C2, C9, C10, D1, D2, D9, D10, E1, E2, E9, E10, F1, F2, F9, F10, G1, G2, G9, G10, H1, H2, H9, H10, J1, J2, J9, J10, K1, K2, K9, K10, L3-L8, M3-M8 | | | DEPOPULATED SOLDER BALLS |

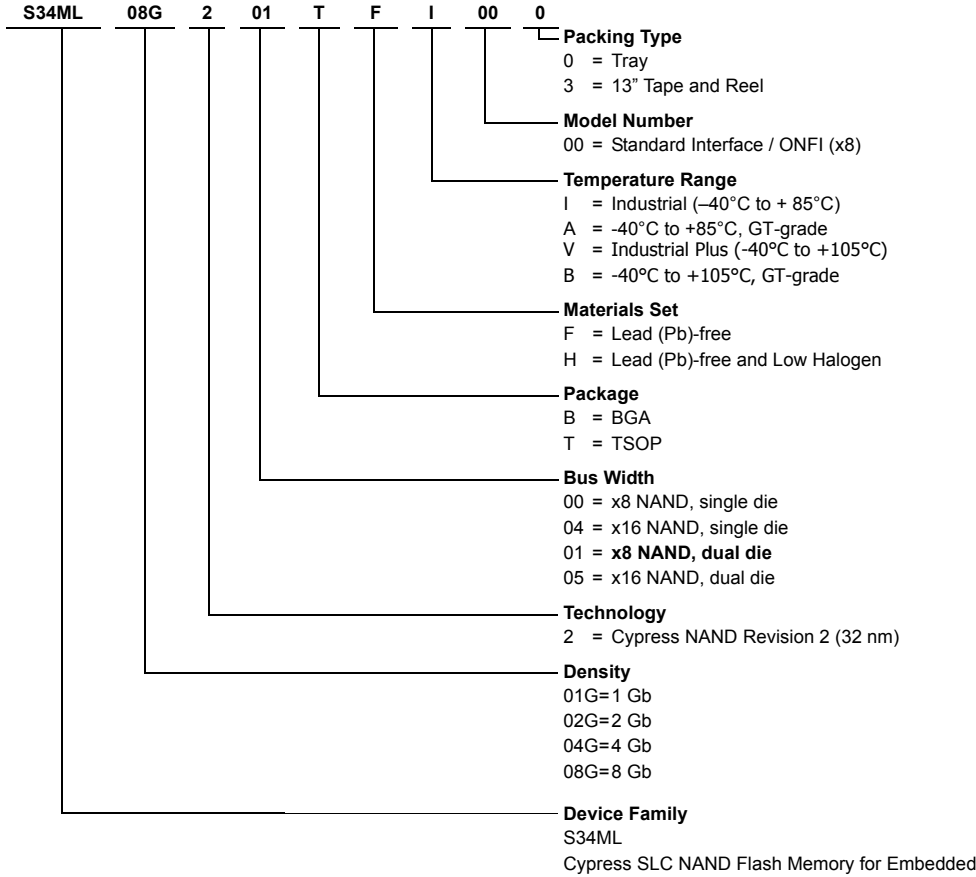
NOTES:

- DIMENSIONING AND TOLERANCING METHODS PER ASME Y14.5M-1994.
- ALL DIMENSIONS ARE IN MILLIMETERS.
- BALL POSITION DESIGNATION PER JEP95, SECTION 3, SPP-020.
- [e] REPRESENTS THE SOLDER BALL GRID PITCH.
- SYMBOL "MD" IS THE BALL MATRIX SIZE IN THE "D" DIRECTION.
SYMBOL "ME" IS THE BALL MATRIX SIZE IN THE "E" DIRECTION.
n IS THE TOTAL NUMBER OF POPULATED SOLDER BALL POSITIONS FOR MATRIX SIZE MD X ME.
- DIMENSION "b" IS MEASURED AT THE MAXIMUM BALL DIAMETER IN A PLANE PARALLEL TO DATUM C.
- "SD" AND "SE" ARE MEASURED WITH RESPECT TO DATUMS A AND B AND DEFINE THE POSITION OF THE CENTER SOLDER BALL IN THE OUTER ROW.
WHEN THERE IS AN ODD NUMBER OF SOLDER BALLS IN THE OUTER ROW "SD" OR "SE" = 0.
WHEN THERE IS AN EVEN NUMBER OF SOLDER BALLS IN THE OUTER ROW, "SD" = eD/2 AND "SE" = eE/2.
- "+" INDICATES THE THEORETICAL CENTER OF DEPOPULATED BALLS.
- A1 CORNER TO BE IDENTIFIED BY CHAMFER, LASER OR INK MARK, METALLIZED MARK INDENTATION OR OTHER MEANS.

g50131 16-038.28 | 6.5.13

10. Ordering Information

The ordering part number is formed by a valid combination of the following:



Valid Combinations

Valid Combinations list configurations planned to be supported in volume for this device. Consult your local sales office to confirm availability of specific valid combinations and to check on newly released combinations.

| Valid Combinations | | | | | | | | |
|--------------------|---------|------------|-----------|--------------|-------------------|-----------------------------|--------------|---------------------|
| Device Family | Density | Technology | Bus Width | Package Type | Temperature Range | Additional Ordering Options | Packing Type | Package Description |
| S34ML | 08G | 2 | 01 | BH, TF | I, A, V, B | 00 | 0, 3 | BGA, TSOP |

11. Document History Page

| Document Title: S34ML08G2 8 Gb, 4-bit ECC, x8 I/O and 3 V _{CC} NAND Flash Memory for Embedded | | | | |
|--|---------|-----------------|-----------------|--|
| Document Number: 002-00484 | | | | |
| Rev. | ECN No. | Orig. of Change | Submission Date | Description of Change |
| ** | - | XILA | 04/11/2013 | Initial release. Spansion Publication Number: S34ML08G2 |
| *A | - | XILA | 05/17/2013 | Performance: Reliability - updated Addressing: Address Cycle Map table - updated Bus Cycle data Read ID: Read ID for Supported Configurations table - updated 8 Gb Density for 2nd, 3rd, 4th, and 5th Read Parameter Page: Parameter Page Description table: corrected values for Bytes 8-9 and 254-255 |
| *B | - | XILA | 08/09/2013 | Read ID: Read ID Operation Timing - 8 Gb figure: added values to I/Ox Physical Interface: Updated TS2 48 - 48-lead Plastic Thin Small Outline, 12 x 20 mm, Package Outline figure |
| *C | - | XILA | 01/08/2015 | Performance: Package Options - added 63-Ball BGA 11 x 9 x 1 mm Connection Diagram: Added figure - 63-BGA Contact, x8 Device, Single CE Physical Interface: Added 63-Pin Ball Grid Array (BGA) Ordering Information: Valid Combinations table - added BH to Package Type and BGA to Package Description |
| *D | 4955117 | XILA | 10/15/2015 | Updated to Cypress template |
| *E | 5017336 | XILA | 11/19/2015 | Fixed formatting issues Removed Cover page and Spansion Revision History Distinctive Characteristics: Added industrial Plus temperature range Ordering Information: Added A, V, B temperature ranges |

Sales, Solutions, and Legal Information

Worldwide Sales and Design Support

Cypress maintains a worldwide network of offices, solution centers, manufacturer's representatives, and distributors. To find the office closest to you, visit us at [Cypress Locations](#).

Products

Automotive.....[cypress.com/go/automotive](#)
Clocks & Buffers [cypress.com/go/clocks](#)
Interface..... [cypress.com/go/interface](#)
Lighting & Power Control.....[cypress.com/go/powerpsoc](#)
Memory..... [cypress.com/go/memory](#)
PSoC[cypress.com/go/psoc](#)
Touch Sensing [cypress.com/go/touch](#)
USB Controllers.....[cypress.com/go/USB](#)
Wireless/RF [cypress.com/go/wireless](#)

PSoC® Solutions

[psoc.cypress.com/solutions](#)
PSoC 1 | PSoC 3 | PSoC 4 | PSoC 5LP

Cypress Developer Community

[Community](#) | [Forums](#) | [Blogs](#) | [Video](#) | [Training](#)

Technical Support

[cypress.com/go/support](#)

© Cypress Semiconductor Corporation, 2013-2015. The information contained herein is subject to change without notice. Cypress Semiconductor Corporation assumes no responsibility for the use of any circuitry other than circuitry embodied in a Cypress product. Nor does it convey or imply any license under patent or other rights. Cypress products are not warranted nor intended to be used for medical, life support, life saving, critical control or safety applications, unless pursuant to an express written agreement with Cypress. Furthermore, Cypress does not authorize its products for use as critical components in life-support systems where a malfunction or failure may reasonably be expected to result in significant injury to the user. The inclusion of Cypress products in life-support systems application implies that the manufacturer assumes all risk of such use and in doing so indemnifies Cypress against all charges.

Any Source Code (software and/or firmware) is owned by Cypress Semiconductor Corporation (Cypress) and is protected by and subject to worldwide patent protection (United States and foreign), United States copyright laws and international treaty provisions. Cypress hereby grants to licensee a personal, non-exclusive, non-transferable license to copy, use, modify, create derivative works of, and compile the Cypress Source Code and derivative works for the sole purpose of creating custom software and or firmware in support of licensee product to be used only in conjunction with a Cypress integrated circuit as specified in the applicable agreement. Any reproduction, modification, translation, compilation, or representation of this Source Code except as specified above is prohibited without the express written permission of Cypress.

Disclaimer: CYPRESS MAKES NO WARRANTY OF ANY KIND, EXPRESS OR IMPLIED, WITH REGARD TO THIS MATERIAL, INCLUDING, BUT NOT LIMITED TO, THE IMPLIED WARRANTIES OF MERCHANTABILITY AND FITNESS FOR A PARTICULAR PURPOSE. Cypress reserves the right to make changes without further notice to the materials described herein. Cypress does not assume any liability arising out of the application or use of any product or circuit described herein. Cypress does not authorize its products for use as critical components in life-support systems where a malfunction or failure may reasonably be expected to result in significant injury to the user. The inclusion of Cypress' product in a life-support systems application implies that the manufacturer assumes all risk of such use and in doing so indemnifies Cypress against all charges.

Use may be limited by and subject to the applicable Cypress software license agreement.



Стандарт Электрон Связь

Мы молодая и активно развивающаяся компания в области поставок электронных компонентов. Мы поставляем электронные компоненты отечественного и импортного производства напрямую от производителей и с крупнейших складов мира.

Благодаря сотрудничеству с мировыми поставщиками мы осуществляем комплексные и плановые поставки широчайшего спектра электронных компонентов.

Собственная эффективная логистика и склад в обеспечивает надежную поставку продукции в точно указанные сроки по всей России.

Мы осуществляем техническую поддержку нашим клиентам и предпродажную проверку качества продукции. На все поставляемые продукты мы предоставляем гарантию .

Осуществляем поставки продукции под контролем ВП МО РФ на предприятия военно-промышленного комплекса России , а также работаем в рамках 275 ФЗ с открытием отдельных счетов в уполномоченном банке. Система менеджмента качества компании соответствует требованиям ГОСТ ISO 9001.

Минимальные сроки поставки, гибкие цены, неограниченный ассортимент и индивидуальный подход к клиентам являются основой для выстраивания долгосрочного и эффективного сотрудничества с предприятиями радиоэлектронной промышленности, предприятиями ВПК и научно-исследовательскими институтами России.

С нами вы становитесь еще успешнее!

Наши контакты:

Телефон: +7 812 627 14 35

Электронная почта: sales@st-electron.ru

Адрес: 198099, Санкт-Петербург,
Промышленная ул, дом № 19, литера Н,
помещение 100-Н Офис 331