

ASSR-1410, ASSR-1411 and ASSR-1420

General Purpose, Form A, Solid State Relay (Photo MOSFET)

(60V/0.6A/1Ω)



Data Sheet



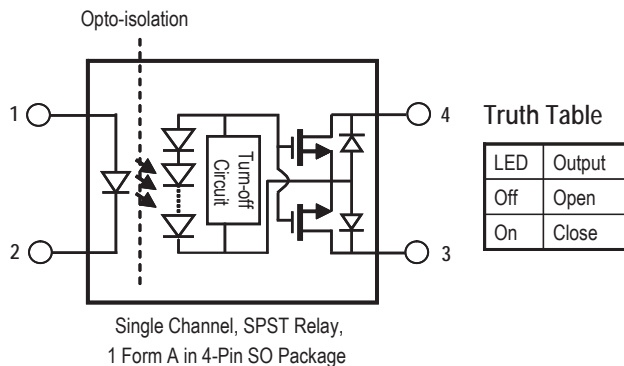
Description

The ASSR-14XX Series consists of an AlGaAs infrared light-emitting diode (LED) input stage optically coupled to a high-voltage output detector circuit. The detector consists of a high-speed photovoltaic diode array and driver circuitry to switch on/off two discrete high voltage MOSFETs. The relay turns on (contact closes) with a minimum input current of 3mA through the input LED. The relay turns off (contact opens) with an input voltage of 0.8V or less.

The single channel configurations, ASSR-1410 and ASSR-1411, are equivalent to 1 Form A Electromechanical Relays (EMR), and the dual channel configuration, ASSR-1420, is equivalent to 2 Form A EMR. They are available in 4-pin SO, 6-pin DIP, 8-pin DIP and Gull Wing Surface Mount for DIP packages. Their electrical and switching characteristics are specified over the temperature range of -40°C to +85°C. They are used for general purpose switching of signals and low power AC/DC loads.

ASSR-1411 enables AC/DC and DC-only output connections. For DC-only connection, the output current, I_o , increases to 1.2A and the on-resistance, $R_{(ON)}$ reduces to 0.5Ω.

Functional Diagram



Features

- Compact Solid-State Bi-directional Signal Switch
- Single and Dual Channel Normally-off Single-Pole-Single-Throw (SPST) Relay
- 60V Output Withstand Voltage
- 0.6A or 1.2A Current Rating
(See Schematic for ASSR-1411 Connection A and B)
- Low Input Current: CMOS Compatibility
- Low On-Resistance:
0.2 Ω Typical for DC-only,
0.7 Ω Typical for AC/DC
- Very High Output Off-state Impedance:
10 Teraohms Typical
- High Speed Switching:
0.1ms (Ton), 0.02ms (Toff) Typical
- High Transient Immunity: >1kV/μs
- High Input-to-Output Insulation Voltage (Safety and Regulatory Approvals)
 - 3750 Vrms for 1 min per UL1577
 - CSA Component Acceptance

Applications

- Telecommunication Switching
- Data Communications
- Industrial Controls
- Medical
- Security
- EMR / Reed Relay Replacement

CAUTION: It is advised that normal static precautions be taken in handling and assembly of this component to prevent damage and/or degradation which may be induced by ESD.

Ordering Information

ASSR-xxxx is UL Recognized with 3750 Vrms for 1 minute per UL1577 and is approved under CSA Component Acceptance Notice #5.

Part number	Option	Package	Surface Mount	Gull Wing	Tape & Reel	Quantity
	RoHS Compliant					
ASSR-1410	-003E	SO-4	X			100 units per tube
	-503E		X		X	1500 units per reel
	-001E					
ASSR-1411	-301E	300mil DIP-6	X	X		50 units per tube
	-501E		X	X	X	1000 units per reel
	-002E					
ASSR-1420	-302E	300 mil DIP-8	X	X		50 units per tube
	-502E		X	X	X	1000 units per reel
	-001E					

To order, choose a part number from the part number column and combine with the desired option from the option column to form an order entry.

Example 1:

ASSR-1411-501E to order product of 300mil DIP-6 Gull Wing Surface Mount package in Tape and Reel packaging and RoHS Compliant.

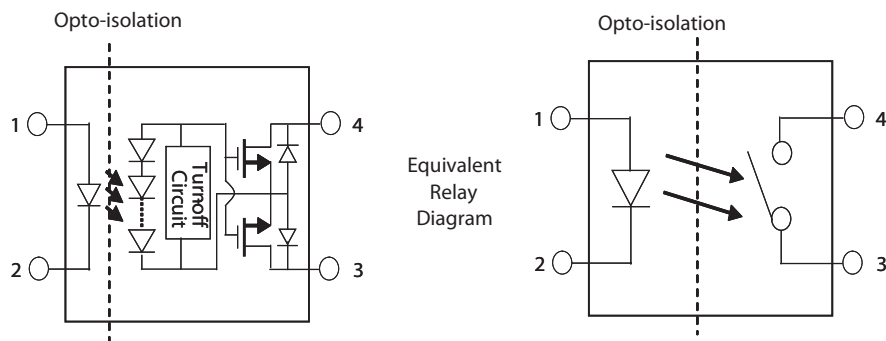
Example 2:

ASSR-1420-002E to order product of 300mil DIP-8 package in tube packaging and RoHS Compliant.

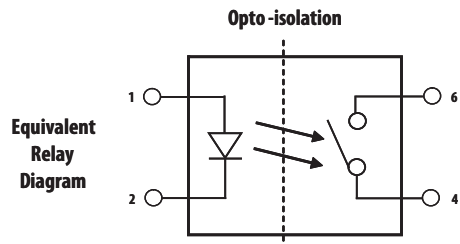
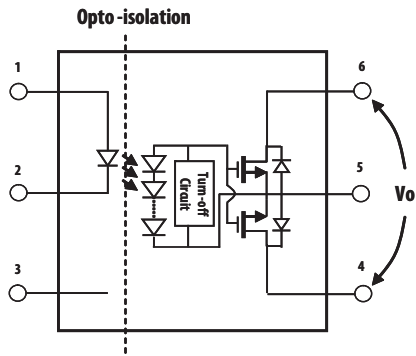
Option datasheets are available. Contact your Avago sales representative or authorized distributor for information.

Schematic

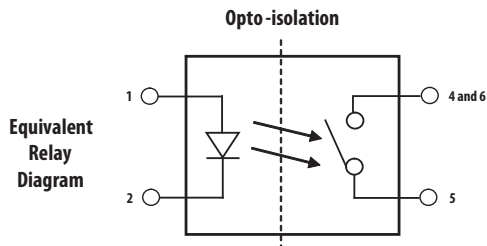
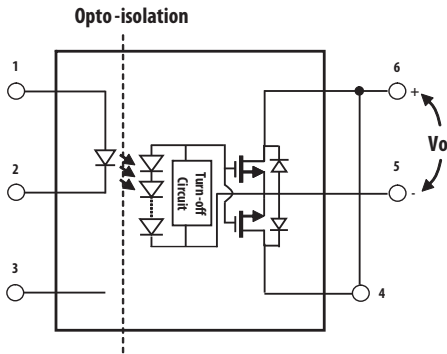
ASSR-1410



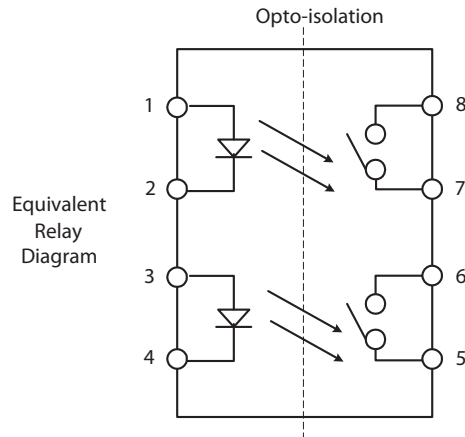
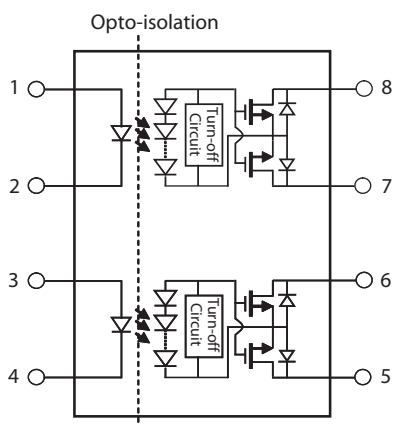
ASSR-1411 Connection A



ASSR-1411 Connection B

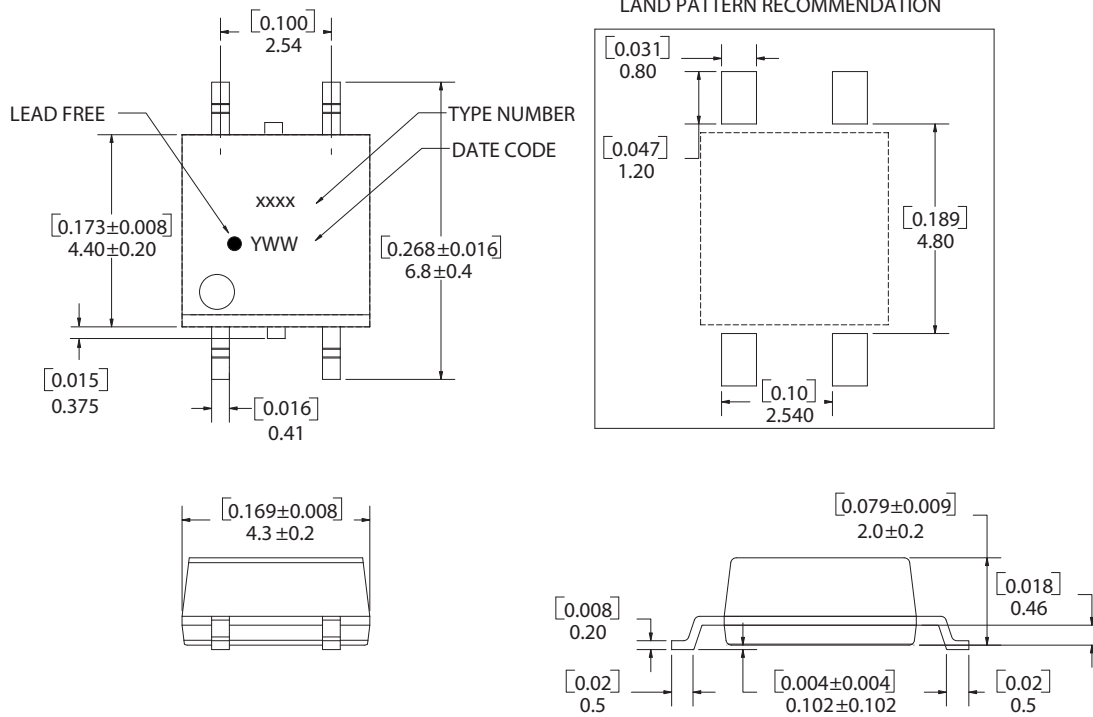


ASSR-1420



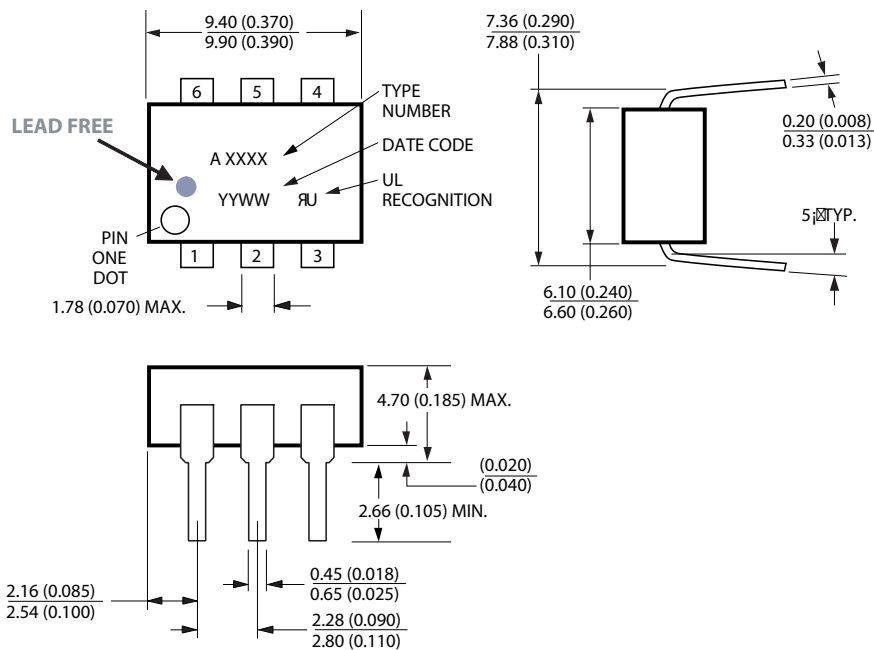
Package Outline Drawings

ASSR-1410 4-Pin Small Outline Package



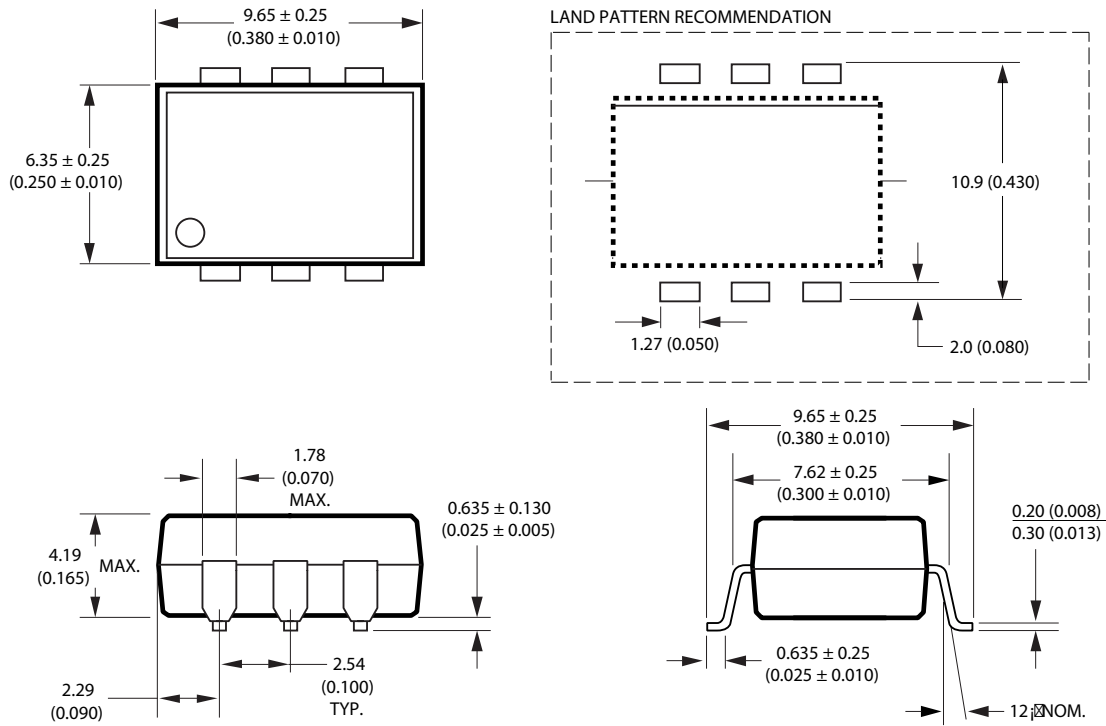
DIMENSIONS IN MILLIMETERS AND [INCHES]
 OPTION NUMBER 500 AND UL RECOGNITION NOT MARKED

ASSR-1411 6-Pin DIP Package



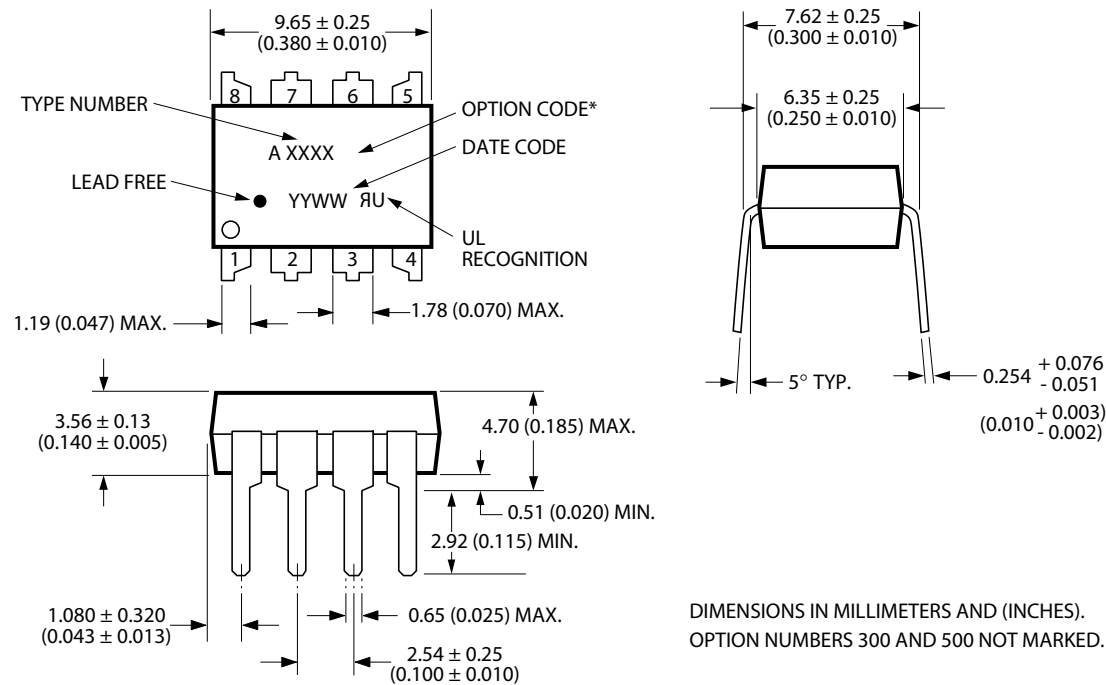
DIMENSIONS IN MILLIMETERS AND (INCHES).

ASSR-1411 6-Pin DIP Package with Gull Wing Surface Mount Option 300



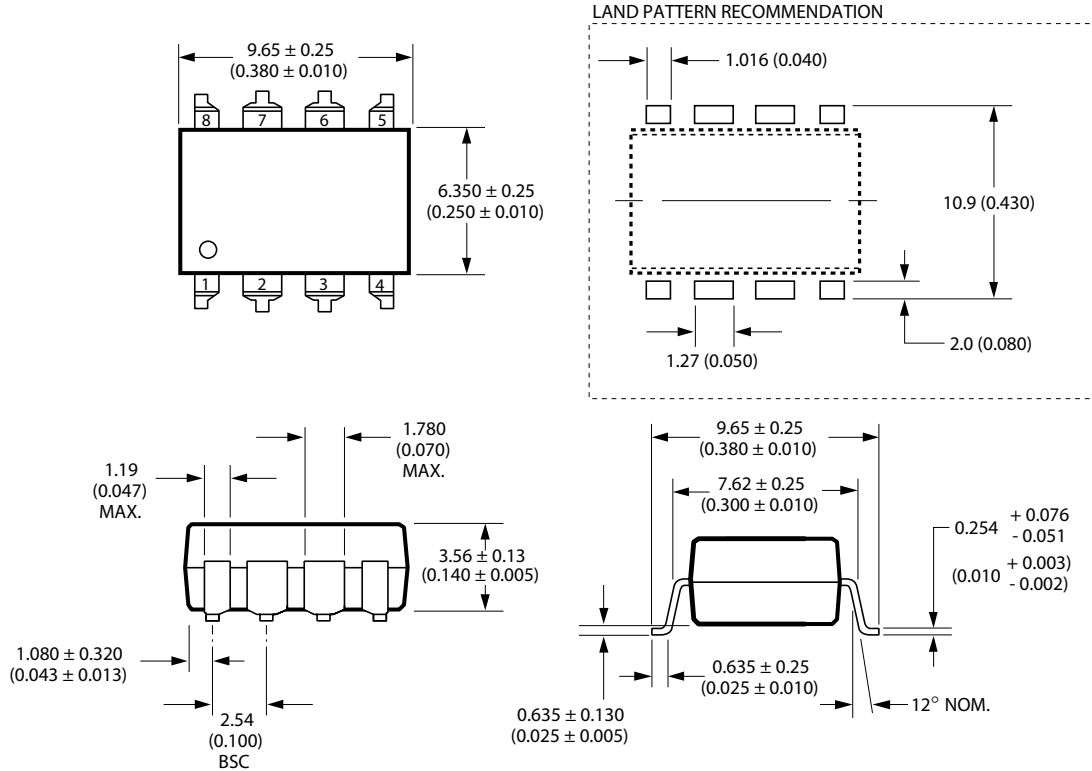
NOTE: FLOATING LEAD PROTRUSION IS 0.25 mm (10 mils) MAX.

ASSR-1420 8-Pin DIP Package



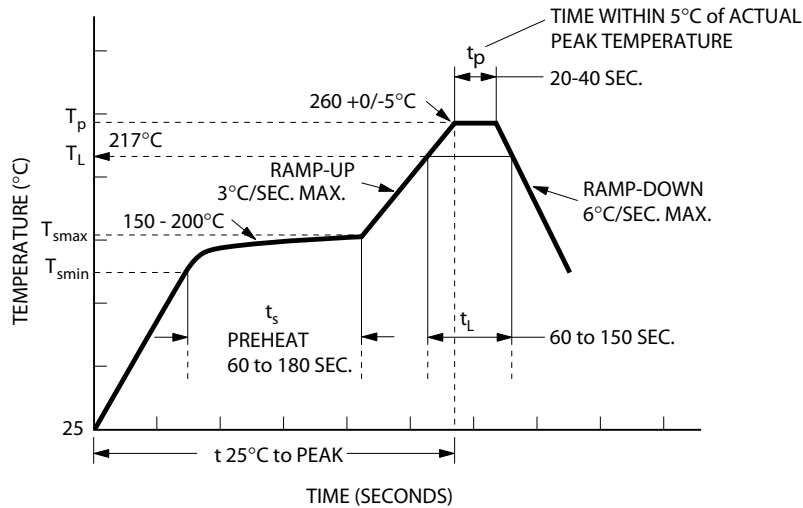
DIMENSIONS IN MILLIMETERS AND (INCHES).
OPTION NUMBERS 300 AND 500 NOT MARKED.

ASSR-1420 8-Pin DIP Package with Gull Wing Surface Mount Option 300



DIMENSIONS IN MILLIMETERS (INCHES).
 LEAD COPLANARITY = 0.10 mm (0.004 INCHES).
 NOTE: FLOATING LEAD PROTRUSION IS 0.25 mm (10 mils) MAX.

Lead Free IR Profile



NOTES:
 THE TIME FROM 25°C TO PEAK TEMPERATURE = 8 MINUTES MAX.
 $T_{smax} = 200^{\circ}C$, $T_{smin} = 150^{\circ}C$

Non-halide flux should be used.

Regulatory Information

The ASSR-1410, ASSR-1411 and ASSR-1420 are approved by the following organizations:

UL

Approved under UL 1577, component recognition program up to $V_{ISO} = 3750 V_{RMS}$

CSA

Approved under CSA Component Acceptance Notice #5.

Insulation and Safety Related Specifications

Parameter	Symbol	ASSR-1411		Units	Conditions
		ASSR-1410	ASSR-1420		
Minimum External Air Gap (Clearance)	L(101)	4.9	7.1	mm	Measured from input terminals to output terminals, shortest distance through air.
Minimum External Tracking (Creepage)	L(102)	4.9	7.4	mm	Measured from input terminals to output terminals, shortest distance path along body.
Minimum Internal Plastic Gap (Internal Clearance)		0.08	0.08	mm	Through insulation distance conductor to conductor, usually the straight line distance thickness between the emitter and detector.
Tracking Resistance (Comparative Tracking Index)	CTI	175	175	V	DIN IEC 112/VDE 0303 Part 1
Isolation Group (DIN VDE0109)		IIIa	IIIa		Material Group (DIN VDE 0109)

Absolute Maximum Ratings

Parameter	Symbol	Min.	Max.	Units	Note	
Storage Temperature	T_S	-55	125	°C		
Operating Temperature	T_A	-40	85	°C		
Junction Temperature	T_J		125	°C		
Lead Soldering Cycle	Temperature		260	°C		
	Time		10	s		
Input Current	Average	I_F	25	mA		
	Surge		50			
	Transient		1000			
Reversed Input Voltage	V_R		5	V		
Input Power Dissipation	ASSR-1410	P_{IN}	40	mW		
	ASSR-1411	P_{IN}	40	mW		
	ASSR-1420	P_{IN}	80	mW		
Output Power Dissipation	ASSR-1410	P_O	360	mW		
	ASSR-1411	P_O	720	mW		
	ASSR-1420	P_O	720	mW		
Average Output Current ($T_A = 25^\circ\text{C}$, $T_C \leq 100^\circ\text{C}$)		I_O	0.6	A	1	
	ASSR-1411 Connection B	I_O	1.2	A		
Output Voltage ($T_A = 25^\circ\text{C}$)		V_O	-60	60	V	2
	ASSR-1411 Connection B	V_O	0	60	V	
Solder Reflow Temperature Profile	See Lead Free IR Profile					

Recommended Operating Conditions

Parameter	Symbol	Min.	Max.	Units	Note
Input Current (ON)	$I_{F(ON)}$	3	20	mA	3
Input Voltage (OFF)	$V_{F(OFF)}$	0	0.8	V	
Operating Temperature	T_A	-40	+85	°C	

Package Characteristics

Unless otherwise specified, $T_A = 25^\circ\text{C}$.

Parameter	Sym.	Min.	Typ.	Max.	Units	Conditions	Note
Input-Output Momentary Withstand Voltage	V_{ISO}	3750			Vrms	$RH \leq 50\%$, $t = 1 \text{ min}$	4, 5
Input-Output Resistance	R_{I-O}		10^{12}		Ω	$V_{I-O} = 500 \text{ Vdc}$	
Input-Output Capacitance	ASSR-1410 C_{I-O}		0.4		pF	$f = 1 \text{ MHz}$; $V_{I-O} = 0 \text{ Vdc}$	4
	ASSR-1411 C_{I-O}		0.5		pF	$f = 1 \text{ MHz}$; $V_{I-O} = 0 \text{ Vdc}$	
	ASSR-1420 C_{I-O}		0.8		pF	$f = 1 \text{ MHz}$; $V_{I-O} = 0 \text{ Vdc}$	

Electrical Specifications (DC)

Over recommended operating $T_A = -40^\circ\text{C}$ to 85°C , $I_F = 5\text{mA}$ to 10mA , unless otherwise specified.

Parameter	Sym.	Min.	Typ.	Max.	Units	Conditions	Fig.	Note
Output Withstand Voltage	$ V_{O(OFF)} $	60	65		V	$V_F = 0.8\text{V}$, $I_O = 250 \mu\text{A}$, $T_A = 25^\circ\text{C}$		
		55			V	$V_F = 0.8\text{V}$, $I_O = 250 \mu\text{A}$	5	
Output Leakage Current	$I_{O(OFF)}$		0.5	100	nA	$V_F = 0.8\text{V}$, $V_O = 60\text{V}$, $T_A = 25^\circ\text{C}$		
				1	μA	$V_F = 0.8\text{V}$, $V_O = 60\text{V}$	6	
Output Offset Voltage	$ V_{(OS)} $		1		μV	$I_F = 5\text{mA}$, $I_O = 0\text{mA}$		
Input Reverse Breakdown Voltage	V_R	5			V	$I_R = 10 \mu\text{A}$		
Input Forward Voltage	V_F	1.1	1.3	1.65	V	$I_F = 5\text{mA}$	7, 8	
Output On-resistance	$R_{(ON)}$		0.7	1	Ω	$I_F = 5\text{mA}$, $I_O = 600\text{mA}$, Pulse $\leq 30\text{ms}$, $T_A = 25^\circ\text{C}$	9, 10	6
	ASSR-1411 Connection B $R_{(ON)}$		0.2	0.5	Ω	$I_F = 5\text{mA}$, $I_O = 1.2\text{A}$, Pulse $\leq 30\text{ms}$, $T_A = 25^\circ\text{C}$		

Switching Specifications (AC)

Over recommended operating $T_A = -40^\circ\text{C}$ to 85°C , $I_F = 5\text{mA}$ to 10mA , unless otherwise specified.

Parameter	Sym.	Min.	Typ.	Max.	Units	Conditions	Fig.	Note
Turn On Time	T_{ON}		0.25	0.5	ms	$I_F = 5\text{mA}$, $I_O = 600\text{mA}$, $T_A = 25^\circ\text{C}$	11,	
					1.0	ms	$I_F = 5\text{mA}$, $I_O = 600\text{mA}$	15
			0.1	0.25	ms	$I_F = 10\text{mA}$, $I_O = 600\text{mA}$, $T_A = 25^\circ\text{C}$		
				0.5	ms	$I_F = 10\text{mA}$, $I_O = 600\text{mA}$		
Turn Off Time	T_{OFF}		0.02	0.2	ms	$I_F = 5\text{mA}$, $I_O = 600\text{mA}$, $T_A = 25^\circ\text{C}$	13,	
					0.5	ms	$I_F = 5\text{mA}$, $I_O = 600\text{mA}$	14
			0.02	0.15	ms	$I_F = 10\text{mA}$, $I_O = 600\text{mA}$, $T_A = 25^\circ\text{C}$		
				0.2	ms	$I_F = 10\text{mA}$, $I_O = 600\text{mA}$		
Output Transient Rejection	dV_O/dt	1	7		kV/ μs	$\Delta V_O = 60\text{V}$, $T_A = 25^\circ\text{C}$	16	
Input-Output Transient Rejection	dV_{I-O}/dt	1	≥ 10		kV/ μs	$\Delta V_{I-O} = 1000\text{V}$, $T_A = 25^\circ\text{C}$	17	

Notes:

- For derating, refer to Figure 1, 2, 3 and 4.
- The voltage across the output terminals of the relay should not exceed this rated withstand voltage. Over-voltage protection circuits should be added in some applications to protect against over-voltage transients.
- Threshold to switch device is $I_F \geq 0.5\text{mA}$, however, for qualified device performance over temperature range, it is recommended to operate at $I_F = 5\text{mA}$.
- Device is considered as a two terminal device:
 - ASSR-1410 - pin 1, 2 shorted and pin 3, 4 shorted.
 - ASSR-1411 - pin 1, 2, 3 shorted and pin 4, 5, 6 shorted.
 - ASSR-1420 - pin 1, 2, 3, 4 shorted and pin 5, 6, 7, 8 shorted.
- The Input-Output Momentary Withstand Voltage is a dielectric voltage rating that should not be interpreted as an input-output continuous voltage rating. For the continuous voltage rating refer to the IEC/EN/DIN EN 60747-5-2 Insulation Characteristics Table (if applicable), your equipment level safety specification, or Avago Technologies Application Note 1074, "Optocoupler Input-Output Endurance Voltage."
- During the pulsed $R_{(ON)}$ measurement (I_O duration $\leq 30\text{ms}$), ambient (T_A) and case temperature (T_C) are equal.

Applications Information

On-Resistance and Derating Curves

The Output On-Resistance, $R_{(ON)}$, specified in this data sheet, is the resistance measured across the output contact when a pulsed current signal ($I_o=0.6A$) is applied to the output pins. The use of a pulsed signal ($\leq 30ms$) implies that each junction temperature is equal to the ambient and case temperatures. The steady-state resistance, R_{ss} , on the other hand, is the value of the resistance measured across the output contact when a DC current signal is applied to the output pins for a duration sufficient to reach thermal equilibrium. R_{ss} includes the effects of the temperature rise in the device.

Derating curves are shown in Figures 1, 2, 3 and 4, specifying the maximum output current allowable for a given ambient temperature. The maximum allowable output current and power dissipation are related by the expression $R_{ss}=P_o(max)/(I_o(max))^2$ from which R_{ss} can be calculated. Staying within the safe area assures that the steady state MOSFET junction temperature remains less than $125^{\circ}C$.

Turn On Time and Turn Off Time Variation

The ASSR-14XX Series exhibits a very fast turn on and turn off time. Both the turn on and turn off time can be adjusted by choosing proper forward current as depicted in Figures 11 and 13. The changes of the turn on and turn off time with ambient temperature are also shown in Figures 12 and 14.

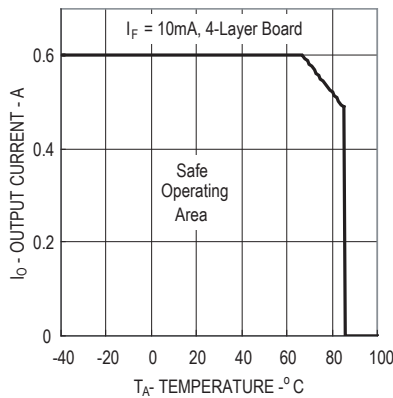


Figure 1. Maximum Output Current Rating vs Ambient Temperature (ASSR-1410-003E)

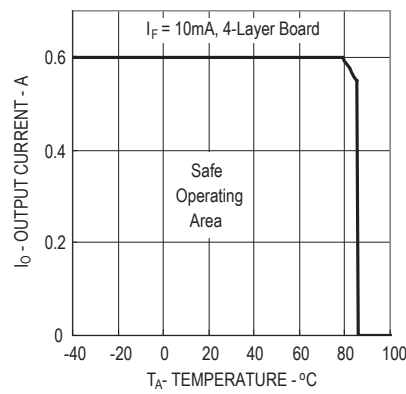


Figure 2. Maximum Output Current Rating vs Ambient Temperature (ASSR-1411-001E)

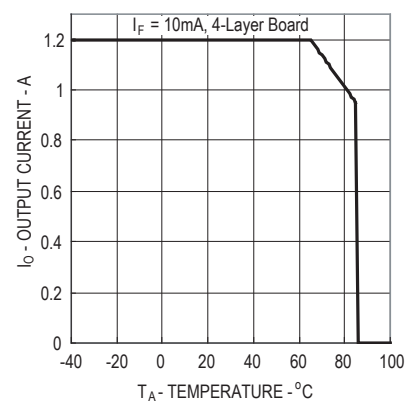


Figure 3. Maximum Output Current Rating vs Ambient Temperature (ASSR-1411-001E DC Connection)

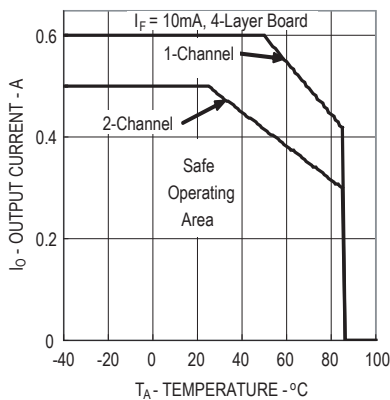


Figure 4. Maximum Output Current Rating vs Ambient Temperature (ASSR-1420-002E)

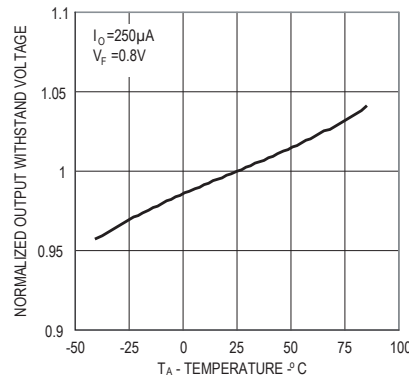


Figure 5. Normalized Typical Output Withstand Voltage vs. Temperature

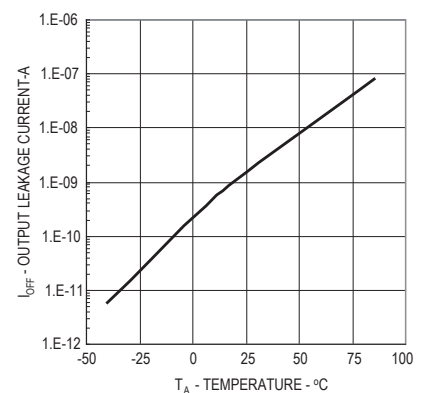


Figure 6. Typical Output Leakage Current vs. Temperature

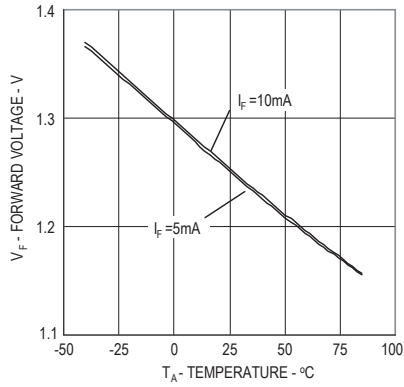


Figure 7. Typical Forward Voltage vs. Temperature

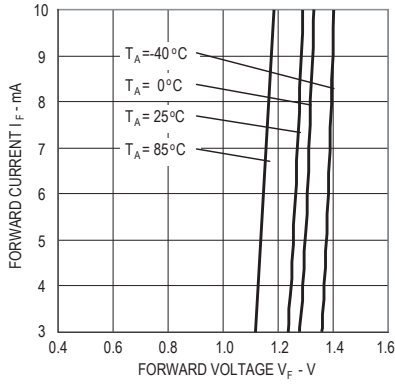


Figure 8. Typical Forward Current vs. Forward Voltage

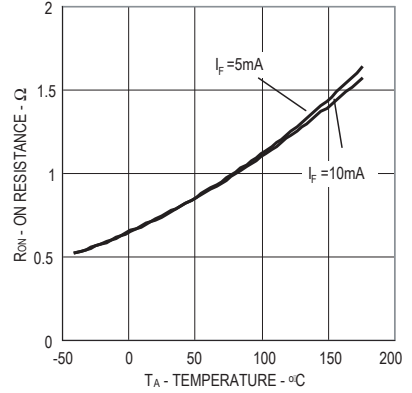


Figure 9. Typical On Resistance vs. Temperature

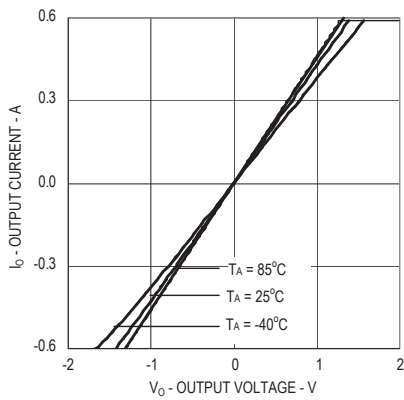


Figure 10. Typical Output Current vs. Output Voltage

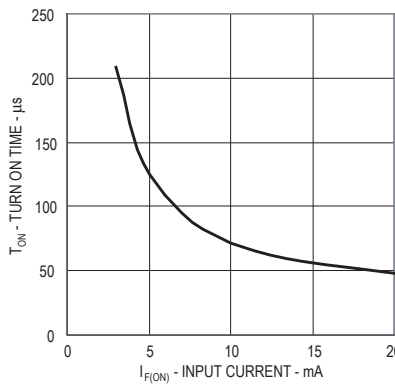


Figure 11. Typical Turn On Time vs. Input Current

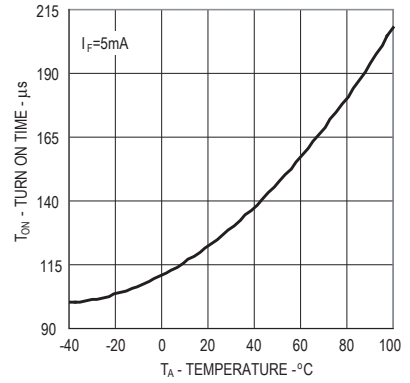


Figure 12. Typical Turn On Time vs. Temperature

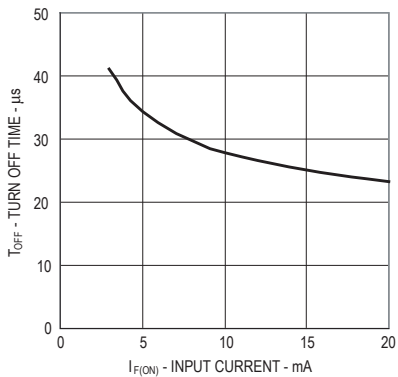


Figure 13. Typical Turn Off Time vs. Input Current

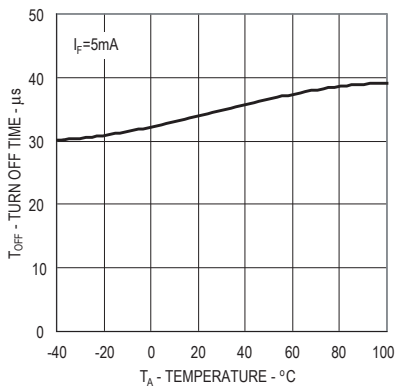


Figure 14. Typical Turn Off Time vs. Temperature

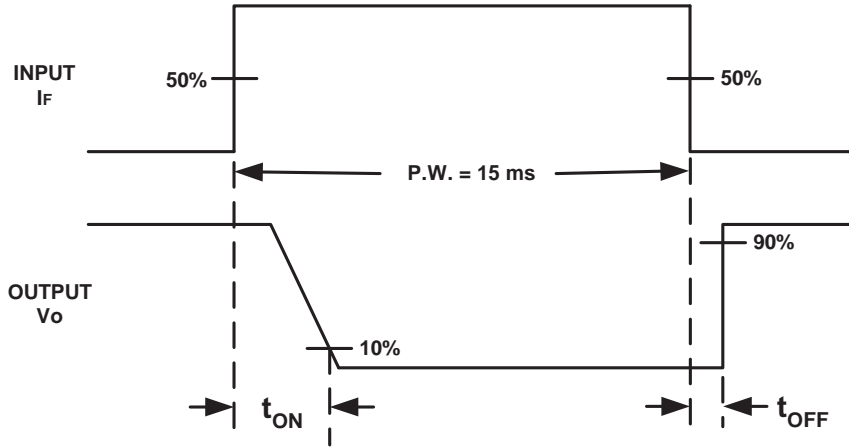
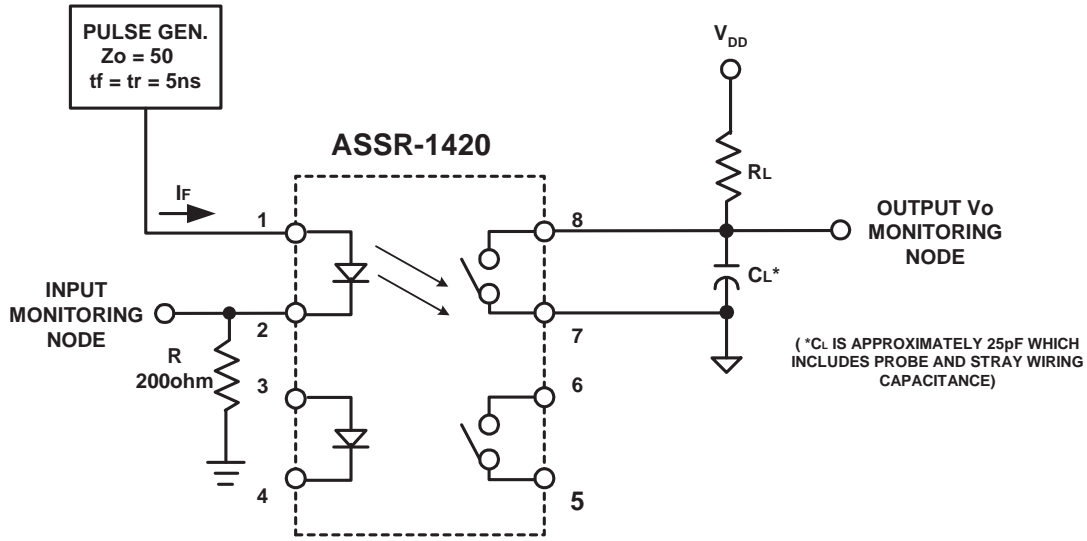
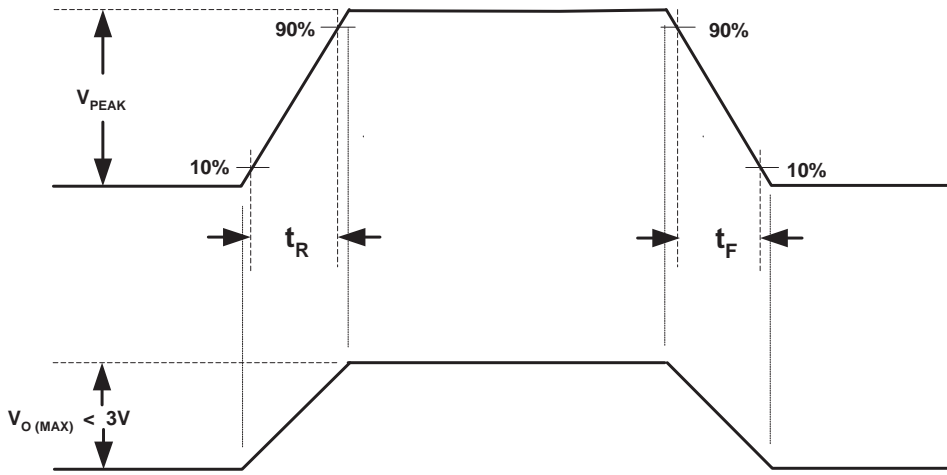
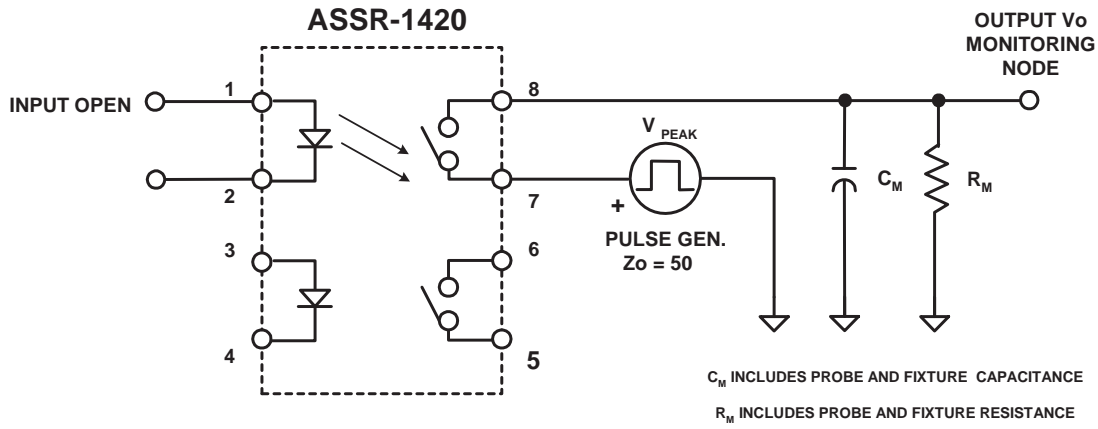


Figure 15. Switching Test circuit for t_{ON} , t_{OFF}



$$\frac{dV_o}{dt} = \frac{(0.8)V_{PEAK}}{t_R} \text{ OR } \frac{(0.8)V_{PEAK}}{t_F}$$

OVER SHOOT ON V_{PEAK} IS TO BE 10%

Figure 16. Output Transient Rejection Test Circuit

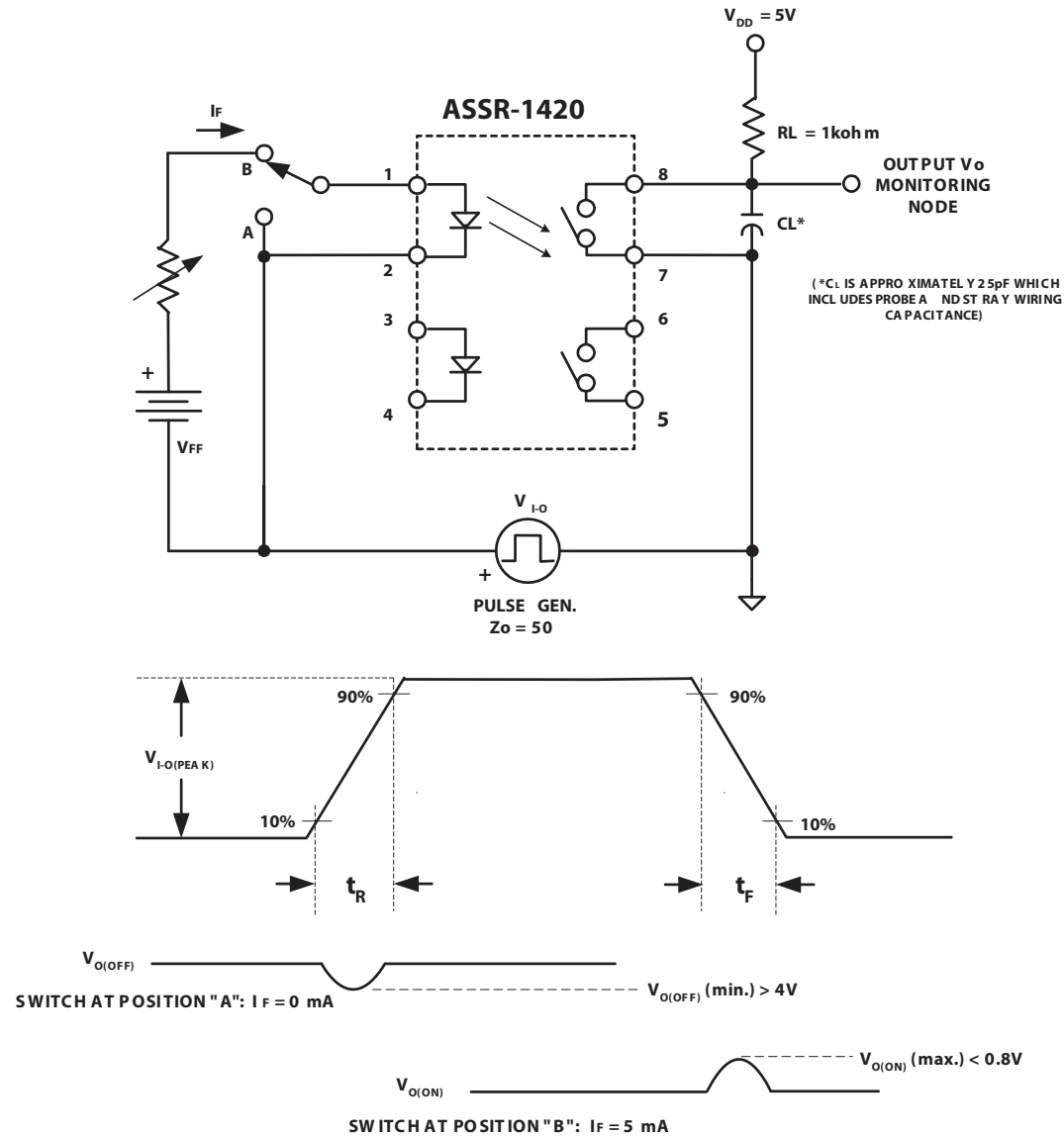


Figure 17. Input - Output Transient Rejection Test Circuit

For product information and a complete list of distributors, please go to our web site: www.avagotech.com

Avago, Avago Technologies, and the A logo are trademarks of Avago Technologies in the United States and other countries. Data subject to change. Copyright © 2005-2012 Avago Technologies. All rights reserved. Obsoletes AV01-0639EN AV02-0241EN - March 19, 2012





**Стандарт
Электрон
Связь**

Мы молодая и активно развивающаяся компания в области поставок электронных компонентов. Мы поставляем электронные компоненты отечественного и импортного производства напрямую от производителей и с крупнейших складов мира.

Благодаря сотрудничеству с мировыми поставщиками мы осуществляем комплексные и плановые поставки широчайшего спектра электронных компонентов.

Собственная эффективная логистика и склад в обеспечивает надежную поставку продукции в точно указанные сроки по всей России.

Мы осуществляем техническую поддержку нашим клиентам и предпродажную проверку качества продукции. На все поставляемые продукты мы предоставляем гарантию .

Осуществляем поставки продукции под контролем ВП МО РФ на предприятия военно-промышленного комплекса России , а также работаем в рамках 275 ФЗ с открытием отдельных счетов в уполномоченном банке. Система менеджмента качества компании соответствует требованиям ГОСТ ISO 9001.

Минимальные сроки поставки, гибкие цены, неограниченный ассортимент и индивидуальный подход к клиентам являются основой для выстраивания долгосрочного и эффективного сотрудничества с предприятиями радиоэлектронной промышленности, предприятиями ВПК и научно-исследовательскими институтами России.

С нами вы становитесь еще успешнее!

Наши контакты:

Телефон: +7 812 627 14 35

Электронная почта: sales@st-electron.ru

Адрес: 198099, Санкт-Петербург,
Промышленная ул, дом № 19, литера Н,
помещение 100-Н Офис 331