

Quick Reference Guide: Connectors to HDMI Standard

Tyco Electronics' connector incorporating High-Definition Multimedia Interface (HDMI) technology is an interface for consumer electronics products such as digital television, set-top boxes and DVD players. HDMI technology supports standard, enhanced, or high-definition video, plus multi-channel audio on a single cable.

FEATURES AND BENEFITS

- Simple, user friendly connector
- Replaces existing audio and digital cabling in one assembly
- Easy-to-use friction lock design provides secure electrical contact and smooth cable insertion/extraction
- Full shielding for ESD protection and lead-free process available
- Available with or without panel flange
- 19 positions and 5 Gbps of bandwidth to support video and multi-channel audio in a single cable

PRODUCT APPLICATIONS

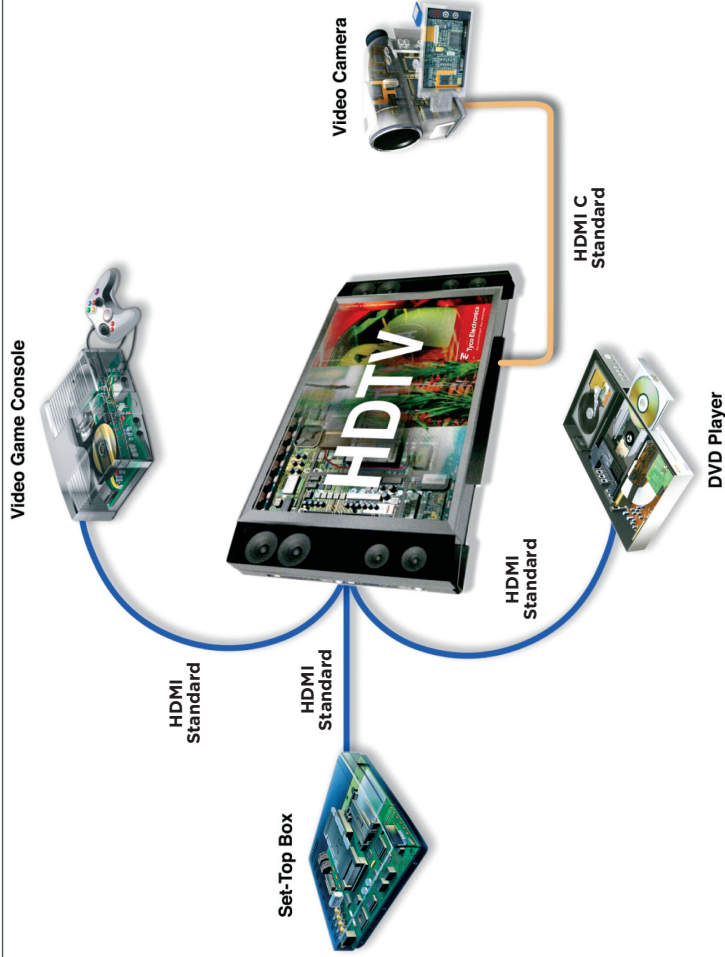
- Digital or High-Definition Televisions
- Set-top Boxes
- Video Game Consoles
- DVD Players
- Desktop PC's

HDMI is a trademark of HDMI Licensing, LLC.

<http://www.tycoelectronics.com/products/HDMI>

 **Tyco Electronics**
Our commitment. Your advantage.

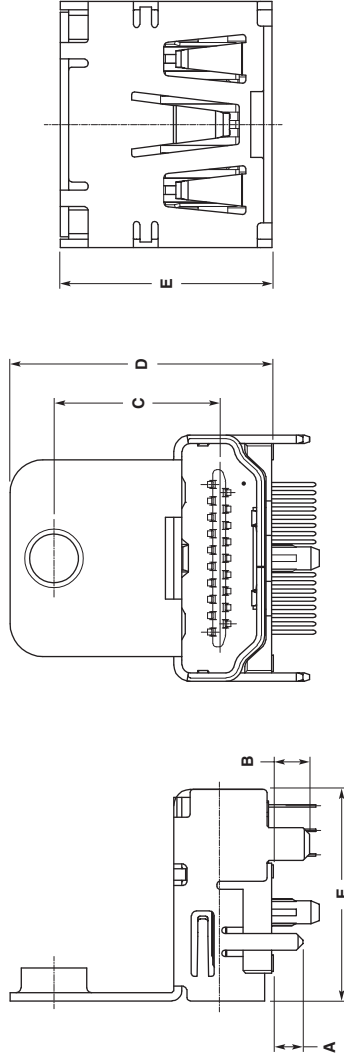
APPLICATIONS



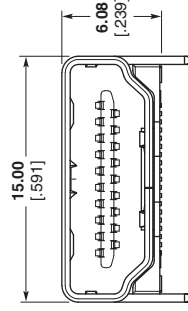
CONSUMER I/O — VIDEO INTERCONNECT TIMELINE



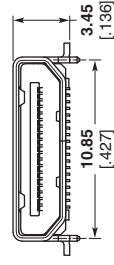
DIMENSION REFERENCE



Connector for HDMI Standard



Connector for HDMI C Standard




HDMI is a trademark of HDMI Licensing, LLC.
 RCA is a trademark of Thomson.
 TOSLINK is a trademark of Toshiba Corporation.
 DVI is a trademark of Digital Display Working Group (DDWG).

<http://www.tycoelectronics.com/products/HDMI>

Connectors to HDMI Standard



Part Number	PCB Mount Type	PCB Orientation	Number Of Ports	Packaging	(Dim A) Front Hold Down Legs	(Dim B) Back Hold Down Legs	Flange	Mounting Flange		(Dim E) PCB Profile Depth	Mating Finish	
								Screw Size	(Dim C) CL of Mating Face to CL of Mounting Hole			(Dim D) Height (PCB-Top of Flange)
 1747981-1	SMT	R/A	1	Tape & Reel	1.8	2.2	No	—	—	11.55	A	
1747981-2	SMT	R/A	1	Tape & Reel	1.5	1.5	No	—	—	11.55	A	
1-1747981-1	SMT	R/A	1	Tray	1.8	2.2	Yes	M3 x 0.5	7.98	14.25	A	
1-1747981-2	SMT	R/A	1	Tray	1.5	1.5	Yes	M3 x 0.5	7.98	14.25	A	
1-1747981-3	SMT	R/A	1	Tray	1.8	2.2	Yes	4-40	10.08	16.05	A	
1-1747981-4	SMT	R/A	1	Tray	1.8	2.2	Yes	M3 x 0.5	10.08	16.05	A	
1-1747981-5	SMT	R/A	1	Tape & Reel	1.5	1.5	Yes	M3 x 0.5	7.98	14.25	A	
2-1747981-3	SMT	R/A	1	Tape & Reel	1.8	2.2	Yes	M3 x 0.5	10.08	16.05	D	
8-1747981-1	SMT	R/A	1	Tray	1.8	2.2	Yes	M3 x 0.5	7.98	14.25	A	
1903015-1	SMT	R/A	1	Tape & Reel	1.9	1.9	No	—	—	9.85	D	
1903015-2	SMT	R/A	1	Tray	1.9	1.9	Yes	Ø2.65	9	15.4	D	
1903015-3	SMT	R/A	1	Tape & Reel	1.9	1.9	Yes	M3 x 0.5	9	15.4	D	
1903015-4	SMT	R/A	1	Tray	1.9	1.9	Yes	M3 x 0.5	9	15.4	D	
5-1903015-1	SMT	R/A	1	Tape & Reel	1.9	1.9	No	—	—	9.85	C	
5-1903015-2	SMT	R/A	1	Tray	1.9	1.9	Yes	Ø2.65	9	15.4	C	
5-1903015-4	SMT	R/A	1	Tray	1.9	1.9	Yes	M3 x 0.5	9	15.4	C	
1746679-1	T/H	R/A	1	Tray	1.8	2.2	Yes	M3 x 0.5	9	15.27	C	
1888811-1	T/H	R/A	2	Tray	2.1	2.1	Yes	M3 x 0.5	10.08	28	20.55	E
1888540-1*	T/H	R/A	1*	Tray	1.8	2.2	Yes	M3 x 0.5	10.08	27.05	E	
2007435-1	T/H	Flag	1	Tray	3.7	3.7	No	—	—	23.1	E	
2013978-2**	SMT	R/A	1	Tape & Reel	0.6	0.6	No	—	—	7.7	B	

CL = Center Line
 All dimensions in mm unless otherwise stated

Mating Finish **A** = Gold Flash over Palladium Nickel; **B** = Gold Flash over Nickel; **C** = 12µ Gold; **D** = 30µ Gold; **E** = Either A or C

* HDMI over E-SATA

**HDMI - C

Note: All part numbers are RoHS compliant.

HDMI is a trademark of HDMI Licensing, LLC.

<http://www.tycoelectronics.com/products/HDMI>

Connectors to HDMI Standard

Connectors to HDMI Standard

QUESTIONS TO ASK AT DESIGN IN

- **What is the Tyco Electronics product specification?**
The product specification is usually controlled by the industry specification for HDMI Standard (Specification Version 1.3a). Please refer directly to the industry specification. Please note that Tyco Electronics Japan created Tyco Electronics product specifications for the parts under their ECOC.
- **Do we make a mating plug?**
The general answer is no. The plug connectors can only be purchased as part of a complete cable assembly.
- **What testing is required?**
Each adopter must test a representative sample for HDMI technology compliance. First, the adopter must self test as specified in the then-current HDMI technology compliance test specification. The HDMI technology compliance test specification provides a suite of testing procedures, and establishes certain minimum requirements specifying how each HDMI technology adopter should test licensed products for conformance to the HDMI technology specification. Such compliance testing is limited to evaluation of a product's compliance with the HDMI technology specification and is not designed to test the overall performance of any licensed product.
Second, each adopter must submit the first product of each licensed product type (i.e. source, sink, repeater, or cable) to an HDMI technology Authorized Testing Center (ATC) for testing. Once an adopter product of each type has passed testing, it is not required to submit to the ATC subsequent products of that type. However, adopters must still self-test the products for compliance to the HDMI technology test specification.

Disclaimer

While Tyco Electronics has made every reasonable effort to ensure the accuracy of the information in this catalog, Tyco Electronics does not guarantee that it is error-free, nor does Tyco Electronics make any other representation, warranty or guarantee that the information is accurate, correct, reliable or current.

Tyco Electronics reserves the right to make any adjustments to the information contained herein at any time without notice. Tyco Electronics expressly disclaims all implied warranties regarding the information contained herein, including, but not limited to, any implied warranties of merchantability or fitness for a particular purpose.

The dimensions in this catalog are for reference purposes only and are subject to change without notice. Specifications are subject to change without notice. Please consult Tyco Electronics for the latest dimensions and design specifications.

Restriction on the use of Hazardous Substances (RoHS)

At Tyco Electronics, we're ready to support your RoHS requirements. We've assessed more than 1.5 million end items/components for RoHS compliance, and issued new part numbers where any change was required to eliminate the restricted materials. Part numbers in this catalog are identified as:

RoHS Compliant — Part numbers in this catalog are RoHS Compliant, unless marked otherwise. These products comply with European Union Directive 2002/95/EC as amended 1 January 2006 that restricts the use of lead, mercury, cadmium, hexavalent chromium, PBB, and PBDE in certain electrical and electronic products sold into the EU as of 1 July 2006.

NOTE: For purposes of this Catalog, included within the definition of RoHS Compliant are products that are clearly "Out of Scope" of the RoHS Directive such as hand tools and other non-electrical accessories.

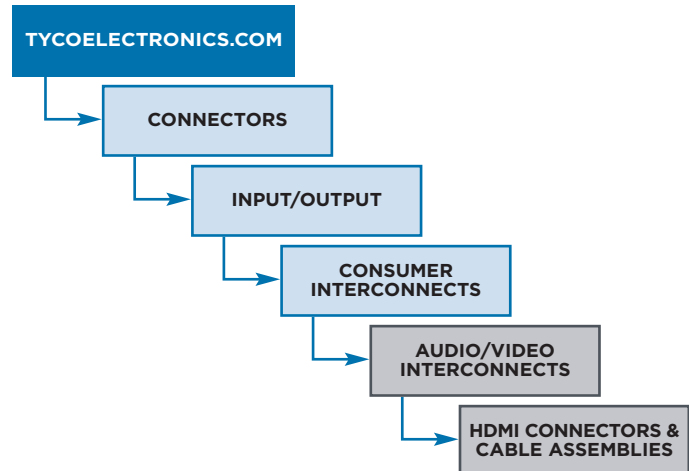
NOTE: Information regarding RoHS compliance is provided based on reasonable inquiry of our suppliers and represents our current actual knowledge based on the information provided by our suppliers. This information is subject to change. For latest compliance status, refer to our website referenced at right.

YOU ARE HERE (E-CATALOG)

[Link](#)

<http://tycoelectronics.com/products/HDMI>

[Breakdown From Main Page](#)



Getting the Information You Need

Our comprehensive on-line RoHS Customer Support Center provides a forum to answer your questions and support your RoHS needs. A RoHS FAQ (Frequently Asked Questions) is available with links to more detailed information. You can also submit RoHS questions and receive a response within 24 hours during a normal work week. The Support Center also provides:

- Cross-Reference from Non-compliant to Compliant Products
- Ability to browse RoHS Compliant Products in our on-line catalog
- Downloadable Technical Data Customer Information Presentation
- More detailed information regarding the definitions used above
- So whatever your questions when it comes to RoHS, we've got the answers at www.tycoelectronics.com/leadfree

RoHS
Customer
Support
Center 

© 2008 Tyco Electronics Corporation. All Rights Reserved.

TE LOGO and TYCO ELECTRONICS are trademarks. Other products, logos and company names mentioned herein may be trademarks of their respective owners.

HDMI is a trademark of HDMI Licensing, LLC.

RCA is a trademark of Thomson.

TOSLINK is a trademark of Toshiba Corporation.

DVI is a trademark of Digital Display Working Group (DDWG).

Dimensions are in millimeters with inches (if shown) in brackets. Specifications subject to change.

For more information, contact your Tyco Electronics sales engineer at the numbers listed below, or visit our Website at: <http://www.tycoelectronics.com>.

USA: 1-800-522-6752

Canada: 1-905-470-4425

Mexico: 01-800-733-8926

6-1773453-4-2.5K-FP-LUG-11/08

C. America: 52-55-1106-0803

S. America: 55-11-2103-6000

Hong Kong: 852-2735-1628

Japan: 81-44-844-8013

UK: 31-73-6246-431



Tyco Electronics

Our commitment. Your advantage.



Стандарт Электрон Связь

Мы молодая и активно развивающаяся компания в области поставок электронных компонентов. Мы поставляем электронные компоненты отечественного и импортного производства напрямую от производителей и с крупнейших складов мира.

Благодаря сотрудничеству с мировыми поставщиками мы осуществляем комплексные и плановые поставки широчайшего спектра электронных компонентов.

Собственная эффективная логистика и склад в обеспечивает надежную поставку продукции в точно указанные сроки по всей России.

Мы осуществляем техническую поддержку нашим клиентам и предпродажную проверку качества продукции. На все поставляемые продукты мы предоставляем гарантию .

Осуществляем поставки продукции под контролем ВП МО РФ на предприятия военно-промышленного комплекса России , а также работаем в рамках 275 ФЗ с открытием отдельных счетов в уполномоченном банке. Система менеджмента качества компании соответствует требованиям ГОСТ ISO 9001.

Минимальные сроки поставки, гибкие цены, неограниченный ассортимент и индивидуальный подход к клиентам являются основой для выстраивания долгосрочного и эффективного сотрудничества с предприятиями радиоэлектронной промышленности, предприятиями ВПК и научно-исследовательскими институтами России.

С нами вы становитесь еще успешнее!

Наши контакты:

Телефон: +7 812 627 14 35

Электронная почта: sales@st-electron.ru

Адрес: 198099, Санкт-Петербург,
Промышленная ул, дом № 19, литера Н,
помещение 100-Н Офис 331