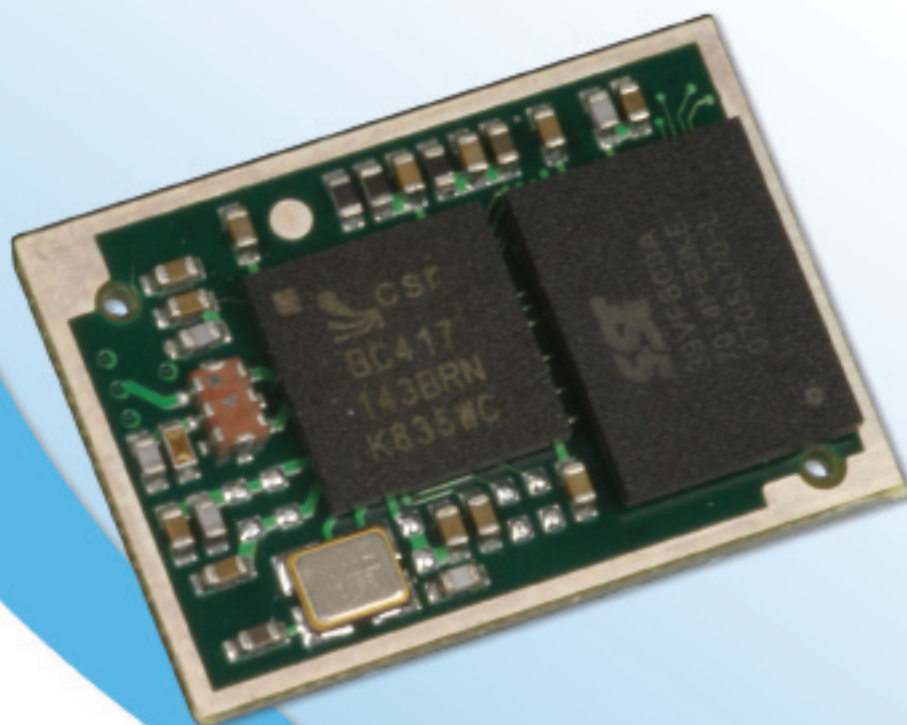


BTM430/431 DATA MODULE

USER MANUAL



Innovative **Technology**
for a **Connected** World

BTM430/431

Bluetooth® AT Data Module

REVISION HISTORY

REVISION HISTORY

Revision

Description

BTM430/431

Bluetooth® AT Data Module

TABLE OF CONTENTS

CONTENTS

BTM430/431 Bluetooth® Module ..4
Overview 4
BTM430/431 Key Features 4
Specifications5
Detailed Specifications 5
Pin Definitions 7
Operating Parameters8
Voltage Specifications 8
AT Command Set Reference9
Introduction 9
Module Configuration Commands 10
Connection Management Commands 25
Audio Link Management Commands 35
SPP Profile Commands..... 36
FTP Client Profile Commands..... 37
OBEX Profile Commands 53
Unsolicited Responses 61
Error Responses..... 62

FCC Regulatory Statements63
BTM430 FCC and Industry Canada Statements 63
BTM431 FCC and Industry Canada Statements 63
Declarations of Compliance64
BTM430 EU Declaration of Conformity 64
BTM431 EU Declaration of Conformity 65
Mechanical Drawings66
BTM430 Mechanical Details 66
BTM431 Mechanical Details 68
Development Kit Schematic 71
Ordering Information73
Product Part Numbers 73
General Comments 73

BTM430/431

Bluetooth® AT Data Module

OVERVIEW AND KEY FEATURES

The BTM430 and BTM431 Bluetooth® modules from Laird Technologies have been designed to meet the needs of developers who wish to add robust, short range Bluetooth data connectivity to their products. They are based on the market leading Cambridge Silicon Radio BC04 chipset, providing exceptionally low power consumption with outstanding range.

With physical sizes as small as 12.5 x 18.0mm and best of class, low-power operation, these modules are the ideal choice for applications where designers need both performance and minimum size. For maximum flexibility in systems integration, the modules are designed to support a separate power supply for I/O.

To aid product development and integration, Laird Technologies has integrated a complete Bluetooth protocol stack within the modules, including support for the Bluetooth Serial Port Profile. The modules are fully qualified as Bluetooth End Products, allowing designers to integrate them within their own products with no further Bluetooth Qualification. They can then list and promote their products on the Bluetooth website free of charge.

Future releases include support for the Bluetooth Health Device Profile, making this module the ideal choice for manufacturers who are developing Continua Health Alliance compliant devices.

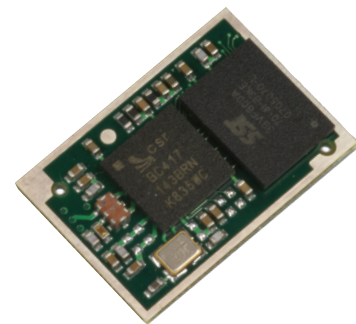
A comprehensive AT command interface is included, which simplifies firmware integration. Combined with a low cost developers kit, this ensures that the choice of Laird Technologies Bluetooth modules guarantees the fastest route to market.

FEATURES AND BENEFITS

- Bluetooth® v2.0+EDR
- Adaptive Frequency Hopping to cope with interference from other wireless devices
- External or internal antenna options
- Comprehensive AT interface for simple programming
- Bluetooth® END Product Qualified
- Compact size
- Class 2 output – 4dBm
- Low power operation
- UART interface
- PCM and SCO for external codec
- GPIO lines under AT control
- Support for Serial Port Profile
- Support for Health Device Profile (later release)
- Wi-Fi co-existence

APPLICATION AREAS

- Embedded Devices
- Phone Accessories
- Security Devices
- Medical and Wellness Devices
- Automotive Applications
- Bluetooth® Advertising
- ePOS



BTM430/431

Bluetooth® AT Data Module

SPECIFICATIONS

Categories	Feature	Implementation	
Wireless Specification	Bluetooth®	Version 2.0+EDR	
	Transmit Class	Class 2	
	Frequency	2.402 – 2.480 GHz	
	Channels	79 channels Frequency Hopping Adaptive Frequency Hopping	
	Max Transmit Power	+4 dBm at antenna pad – BTM430 +4 dBm from integrated antenna – BTM431	
	Min Transmit Power	-27 dBm at antenna pad – BTM430 -27 dBm from integrated antenna – BTM431	
	Receive Sensitivity	-84dBm	
	Range	30m	
	Data Transfer Rate	Up to 300 kbps	
	Antenna Modes	External Antenna	50 Ohm matched SMT pad – BTM430
Integrated Antenna (option)		+0dBi multilayer ceramic – BTM431	
UART Interface	Serial Interface	RS-232 bi-directional for commands and data 16550 compatible	
	Baud Rate	Configurable from 1,200 to 921,600bps Non-standard baud rates supported	
	Bits	8	
	Parity	Odd, even, none	
	Stop bits	1	
	Default Serial parameters	9600,n,8,1	
	Levels	Set by VDD_USB input	
	Modem Control	DTR, DSR, DCD, RI, RTS, CTS	
General Purpose Interface	I/O	8 general purpose I/O pins	
Audio	Support	1 PCM channel @ 64kbps	
	SCO Channels	Support SCO and eSCO	
	PCM Interface	Configurable as master or slave	8 bit A-law
		8 bit μ -law	13 bit linear
Protocols and Firmware	Bluetooth Stack	PCM Clock available when in slave mode	
	Profiles	V2.0 compliant. Fully integrated.	GAP (Generic Access Profile)
		SDP (Service Discovery Profile)	SPP (Serial Port Profile)
		FTP Client	OBEX push client
	Firmware Upgrade	Available over UART	
Connection Modes	Point to point (cable replacement)		

BTM430/431

Bluetooth® AT Data Module

SPECIFICATIONS

Categories	Feature	Implementation
Command Interface	AT Instructions set	Comprehensive control of connection and module operation S Registers for non-volatile storage of parameters
Current Consumption	Data Transfer	Typically 32mA
	Low Power Sniff Mode	Less than 2.5mA
Supply Voltage	Supply	3.0V – 3.3V DC
	I/O	1.7V – 3.3V DC (independent of Supply)
	USB & UART	1.7V – 3.6V DC (independent of Supply)
Coexistence / Compatibility	WLAN (802.11)	2-wire and 3-wire hardware coexistence schemes supported
Connections	Interface	Surface Mount Pads
	External Antenna (BTM430)	Pad for 50 Ohm antenna
Physical	Dimensions	12.5mm x 18.0 x 3.4mm BTM430 12.5mm x 24.0mm x 3.4mm BTM431
	Weight	3 grams
Environmental	Operating Temperature	-30°C to +70°C
	Storage Temperature	-40°C to +85°C
Approvals	Bluetooth	Qualified as an END product
	FCC	Limited Modular Approval (BTM430) Full Modular Approval (BTM431)
	CE & R&TTE	Meets CE and R&TTE requirements
Miscellaneous	Lead free	Lead-free and RoHS compliant
	Warranty	12 Months
Development Tools	Development Kit	Development board and software tools DVK-BTM430 Dev Kit with BTM430 module fitted DVK-BTM431 Dev Kit with BTM431 module fitted

SPECIFICATIONS

Pin	Signal	Description	Voltage Specification
1	Unused		
2	GND		
3	UART_CTS	Clear to Send I/P	VUSB
4	UART_RXD	Receive data I/P	VUSB
5	UART_RTS	Request to Send O/P	VUSB
6	UART_TXD	Transmit data O/P	VUSB
7	GND		
8	SPI_CSB	SPI bus chip select I/P	VIO
9	SPI_MISO	SPI bus serial O/P	VIO
10	SPI_MOSI	SPI bus serial I/P	VIO
11	SPI_CLK	SPI bus clock I/P	VIO
12	VDD_USB	USB & UART supply voltage	
13	VDD_IO	I/O supply voltage	
14	VDD_IN	Main supply voltage	
15	GND		
16	PCM_IN	PCM clock I/P	VIO
17	PCM_SYNC	PCM sync I/P	VIO
18	PCM_CLK	PCM clock I/P	VIO
19	PCM_OUT	PCM Data O/P	VIO
20	RESET	Module reset I/P	See note 2
21	GPIO4	BT_ACTIVE / BT_STATE	VIO
22	GPIO2 / UART_DCD	I/O for host	VIO
23	GND		
24	Unused		
25	Unused		See note 3
26	Unused		See note 3
27	Unused		See note 3
28	GND		See note 3
29	ANT (BTM430)	Antenna connection (50 ohm matched)	See note 3
30	GND		See note 3
31	Unused		See note 3
32	Unused		See note 3
33	Unused		See note 3
34	Unused		See note 3
35	Unused		See note 3
36	Unused		See note 3
37	Unused		See note 3
38	Unused		
39	Unused		
40	Unused		
41	GND		
42	GPIO1/ UART_RI	I/O for host	VIO
43	GPIO7	UART_DTR	VIO
44	GPIO8	UART_DSR	VIO
45	GND		
46	D-	Not used for AT module variants	VUSB
47	D+	Not used for AT module variants	VUSB
48	GPIO6	RF_ACTIVE	VIO
49	GPIO5	WLAN_ACTIVE	VIO
50	GPIO3	BT_PRIORITY	VIO

- Note:
1. Unused pins may have internal connections and must not be connected.
 2. Reset input is active low. Input is pulled up to VDD_IN via 22k. Minimum reset pulse width is 5ms.
 3. Pins 25-37 should be left not connected on modules with integrated antenna (BTM411, BTM421, and BTM431)

OPERATING PARAMETERS

OPERATING PARAMETERS

Recommended Operating Conditions		
OPERATING CONDITION	MIN	MAX
VDD_USB (USB compatibility not required)	1.7	3.6
VDD_USB (USB compatibility required)	3.1	3.6
VDD_IO	1.7	3.3
VDD_IN	3.0	3.3

VOLTAGE SPECIFICATIONS

Logic Levels (VUSB)			
INPUT VOLTAGE LEVELS	MIN	TYP	MAX
V_{ih}	0.7VDD_USB		
V_{il} 2.7<VDD_USB<3.0	-0.4		+0.8
1.7<VDD_USB<1.9	-0.4		+0.4
OUTPUT VOLTAGE LEVELS (1.7<VDD_USB<1.9)			
V_{oh} (Iout = -4mA)	VDD_USB - 0.4		
V_{ol} (Iout = 4mA)			0.4
OUTPUT VOLTAGE LEVELS (2.7<VDD_USB<3.0)			
V_{oh} (Iout = -4mA)	VDD_USB - 0.2		
V_{ol} (Iout = 4mA)			0.2

Note: VDD_USB must be connected to power the USB and UART interfaces.

Logic Levels (VIO)			
INPUT VOLTAGE LEVELS	MIN	TYP	MAX
V_{ih}	0.7VDD_IO		
V_{il} 2.7<VDD_IO<3.0	-0.4		+0.8
1.7<VDD_IO<1.9	-0.4		+0.4
OUTPUT VOLTAGE LEVELS (1.7 < VDD_IO < 1.9)			
V_{oh} (Iout = -4mA)	VDD_IO - 0.4		
V_{ol} (Iout = 4mA)			0.4
OUTPUT VOLTAGE LEVELS (2.7 < VDD_IO < 3.0)			
V_{oh} (Iout = -4mA)	VDD_IO - 0.2		
V_{ol} (Iout = 4mA)			0.2

AT COMMAND SET REFERENCE

This document describes the protocol used to control and configure the BTM430 and BTM431 Bluetooth Data Modules.

The protocol is similar to the industry standard Hayes AT protocol used in telephony modems which is appropriate for cable replacement scenarios, as both types of devices are connection oriented. The telephony commands have been extended to make the Laird Technologies device perform the two core actions of a Bluetooth device, which is make/break a connection and Inquiry. Many other AT commands are also provided to perform ancillary functions, such as, pairing, trusted device database management and S Register maintenance.

Just like telephony modems, the Laird Technologies device powers up in an unconnected state and will only respond via the serial interface. In this state the Laird Technologies device will not even respond to Bluetooth Inquiries. Then, just like controlling a modem, the host can issue AT commands which map to various Bluetooth activities. The command set is extensive enough to allow a host to make connections which are authenticated and/or encrypted or not authenticated and/or encrypted or any combination of these. Commands can be saved, so that on a subsequent power up the device is discoverable or automatically connects.

The device has a serial interface which can be configured for baud rates from 1200 up to 921600, and an RF communications end point. The latter has a concept of connected and unconnected modes and the former will have a concept of command and data modes. This leads to the matrix of states shown below.

	RF Unconnected	RF Connected
Local Command Mode	OK	OK
Remote Command Mode	ILLEGAL	OK
Data Mode	ILLEGAL	OK

The combinations, 'Data and RF Unconnected Mode' and 'Remote Command and RF Unconnected Mode' do not make sense and will be ignored.

Navigation between these states is done using the AT commands which are described in detail in subsequent sections.

Assumptions

The following assumptions are made:-

1. All commands are terminated by the carriage return character 0x0D, which is represented by the string <cr> in descriptions below this cannot be changed.
2. All responses from the Laird Technologies device have carriage return and linefeed characters preceding and appending the response. These dual character sequences have the values 0x0D and 0x0A respectively and shall be represented by the string <cr,lf>.
3. All Bluetooth addresses are represented by a fixed 12 digit hexadecimal string, case insensitive.
4. All Bluetooth Device Class codes are represented by a fixed 6 digit hexadecimal string, case insensitive.
5. All new Bluetooth specific commands are identified by the string +BTx, where x is generally a mnemonic of the intended functionality.

AT Command Set Syntax

<bd_addr> A 12 character Bluetooth address consisting of ASCII characters '0' to '9', 'A' to 'F' and 'a' to 'f'.

<devclass> A 6 character Bluetooth device class consisting of ASCII characters '0' to '9', 'A' to 'F' and 'a' to 'f'.

N A positive integer value.

M An integer value which could be positive or negative, which can be entered as a decimal value or in hexadecimal if preceded by the '\$' character. E.g. the value 1234 can also be entered as \$4D2

<string> A string delimited by double quotes. E.g. "Hello World".
The " character MUST be supplied as delimiters.

<uuid> A 4 character UUID number consisting of ASCII characters '0' to '9', 'A' to 'F' and 'a' to 'f'.

AT COMMAND SET REFERENCE **MODULE CONFIGURATION COMMANDS**

This section describes AT commands associated with module configuration and control.

1. AT

Used to check the module is available.

Response: <cr,lf>OK<cr,lf>

2. ATEn {Enable/Disable Echo}

This command enables or disables the echo of characters to the screen. A valid parameter value will be written to S Register 506.

E0 Disable echo.

E1 Enable echo.

All other values of n will generate an error.

Response: <cr,lf>OK<cr,lf>

Or

Response: <cr,lf>ERROR nn<cr,lf>

3. ATIn {Information}

This will return the following information about the Laird Technologies device.

I0 The product name/variant.

I1 The CSR firmware build number.

I2 The Laird Technologies firmware build number. For internal use only.

I3 The Laird Technologies firmware revision.

I4 A 12 digit hexadecimal number corresponding to the Bluetooth address of the Laird Technologies device.

I5 The manufacturer of this device.

I6 The maximum size of trusted device database.

I7 The manufacturer of the Bluetooth chipset.

I8 The chipset part number.

I9 0 if not in a connect state and 1 if in a connect state.

I11 The reason why a "NO CARRIER" resulted in the most recent attempt at making an outgoing connection. Where the response values are as follows:

0 = No prior connection

1 = Connection timeout

2 = Connection attempt cancelled

3 = Normal disconnection

4 = Peer device has refused connection

5 = Service profile <uuid> requested not available on remote device

6 = Connection has failed

32 = ATH was entered

33 = Incoming connection aborted because too many rings

34 = Unexpected incoming connection

35 = Invalid address

36 = DSR is not asserted

37 = Call limit of 65531 connections has been reached

38 = Pairing in progress

39 = No link key

40 = Invalid link key

255 = Unknown Reason

**AT COMMAND SET
REFERENCE**

I12 The last ERROR response number.

I13 The Sniff status is returned as follows:-

Response: <cr,<lf>a:b,c,d,e<cr,<lf>OK<cr,<lf>

Where 'a' = 0 when not online and 1 when online and Sniff has been enabled, 'b' is the Sniff Attempt parameter, 'c' is the Sniff timeout parameter, 'd' is the minimum sniff interval and 'e' is the maximum sniff interval. All parameters 'b', 'c', 'd' and 'e' are given as Bluetooth slots which are 625 microseconds long converted from values of S Registers 561, 562, 563 and 564 respectively.

I14 The current boot mode

I15 The maximum length of an AT command, including the terminating carriage return

I16 The codec output gain range

I17 The codec input gain range

I20 Returns the number of bytes pending to be sent in the rf buffer when a connection is up.

I33 Version number of Multipoint application (Note: ATI is provided for compatibility in multipoint mode, other AT commands are not available).

I42 State information. Where the response values are as follows:

13 = NotOpen

14 = OpenIdle

15 = Ringing

16 = OnlineCommand

172 to 177 = waiting for connectable and/or discoverable where the lowest significant digit equates to the value stored in S Register 512 or 555.

Note when n=16, ATI9 will return 1.

I101 The RSSI value in dBm. If a connection does NOT exist then a value of -32786 is returned.

A value of 0 means the RSSI is within the golden range this is quite a large band, therefore RSSI is not always a useful indicator. Use ATI111 instead which returns the bit error rate.

I111 Returns LinkQual which in the CSR chipset is defined as BER (bit error rate). This returns a value which is the number of bits in error out of 1 million. Hence a value of 0 is best, and larger values are worse. As the value approaches 1000 (BER = 0.1%) it is an indication that the link is very bad and a large number of Bluetooth packets are being lost.

I10435 The value of the PCM_CONFIG32 parameter in the chipset database

I10438 The value of the PCM_FORMAT parameter in the chipset database

For recognized values of n. All other values of n will generate an error.

Response: <cr,<lf>As Appropriate<cr,<lf>OK<cr,<lf>

or

Response: <cr,<lf>ERROR nn<cr,<lf>

**AT COMMAND SET
REFERENCE****4. ATSn=m {Set S Register}**

As with modems, the Laird Technologies Bluetooth module employs a concept of registers which are used to store parameters, such as escape sequence character, inquiry delay time etc, as listed in detail below.

The value part 'm' can be entered as decimal or hexadecimal. A hexadecimal value is specified via a '\$' leading character. For example \$1234 is a hexadecimal number.

When S register values are changed, the changes are not stored in non-volatile memory UNTIL the AT&W command is used. Note that AT&W does not affect S registers 520 to 525 or 1000 to 1010 as they are updated in non-volatile memory when the command is received.

Register	Default	Range	Comment
S0	1	-1..15	Number of RING indication before automatically answering an incoming connection. A value of 0 disables autoanswer. If -1, then autoanswer on one RING and do NOT send RING/CONNECT response to the host. This emulates a serial cable replacement situation. Setting values ≥ 0 , resets S Register 504 to 0 and < 0 forces 504 to 1. If $S0 \neq 0$ and $S100 \neq 0$ then $S0$ must be $< S100$. If a value is entered which violates this rule, then ERROR 29 is sent in response. If $S504 = 1$ then this register will return -1, regardless of the actual value stored in non-volatile memory.
S2	0x5E	0x20..0x7E	Escape sequence character. It is not '+' by default as a Bluetooth serial link can be used to connect to a mobile phone which exposes an AT command set, which will in turn use '+' as default. So if both used '+' there will be confusion. 0x5e is the character '^'.
S12	100	40..5000	Escape sequence guard time in milliseconds, with a granularity of 20ms. New values are rounded down to the nearest 20ms multiple
S100	15	0..15	Number of RING indications before an auto disconnection is initiated. A value of 0 disables this feature. If $S0 \neq 0$ and $S100 \neq 0$ then $S0$ must be $< S100$. If a value is entered which violates this rule, then ERROR 29 is sent in response.
S101	\$1101	0..\$ffff	UUID of default SPP based profile when not specified explicitly in the ATD command.
S102	1	1..\$7F	Defines a set of bits masks for enabling profile server support. With the exception of Serial Port Profile, implementation of the profile servers below requires implementation in the external host processor and Bluetooth qualification of the completed server implementation. Values can be ORed. 1 is Serial Port Profile 2 is Headset (S Reg 580 allows remote volume control bit to be adjusted) 4 is DUN 8 is Audio Gateway (Headset) 16 is Handsfree (S Reg 581 allows supported feature field to be adjusted) 32 is OBEX FTP 64 is Audio Gateway (Handsfree) It is recommended that due to memory resource issues, not more than 2 profiles are activated at the same time.
S103	1	1..7	Boot Mode on cold boot.
S500	0	0..1	Authentication for outgoing connections. Set to 1 to Enable Authentication.
S501	0	0..1	Encryption for outgoing connections. Set to 1 to Enable Encryption.
S502	0	0..1	Authentication for incoming connections. Set to 1 to Enable Authentication.
S503	0	0..1	Encryption for incoming connections. Set to 1 to Enable Encryption.

**AT COMMAND SET
REFERENCE**

Register	Default	Range	Comment
S504	0	0..1	Setting to 1 will force S0 to -1 and will suppress messages arising from connections or pairing. E.g. CONNECT, NO CARRIER, RING, PAIR etc. Suppressing connection based messages allows the Laird Technologies device to be configured in cable replacement mode.
S505	10	2..120	Minimum delay before abandoning connection attempt as a master. Referenced by ATD. In units of seconds. See S Registers 530 and 543 also. Please note that as disconnection time can vary, this register only guarantees the minimum delay. Note that for invalid addresses specified in the ATD command, the "NO CARRIER" response will be immediate. See S register 560 for specifying disconnect max timeout.
S506	1	0..1	Enable/Disable echoes. The ATEn command also affects this.
S507	0	0..2	When set to 0, a connection can be dropped using ^^^ escape sequence only and the state of DSR line is ignored. When set to 1 a connection can be dropped using EITHER the ^^^ escape sequence OR the DSR handshaking line. When set to 2, a connection can only be dropped using a deassertion of DSR. Mode 2 provides for the highest data transfer rate. If the status of the DSR line is to be conveyed to the remote device as a low bandwidth signal then this register MUST be set to 0, otherwise a deassertion of DSR will be seen as a request to drop the Bluetooth connection. This register affects S Register 536 – see details of 536
S508	640	10..2550	Page Scan Interval in milliseconds. Minimum is 11.25ms so 10/11ms will give 11.25ms.
S509	320	10..2550	Page Scan Window in milliseconds. Minimum is 11.25ms so 10/11ms will give 11.25ms.
S510	640	10..2550	Inquiry Scan Interval in milliseconds. Minimum is 11.25ms so 10/11ms will give 11.25ms.
S511	320	10..2550	Inquiry Scan Window in milliseconds. Minimum is 11.25ms so 10/11ms will give 11.25ms.

AT COMMAND SET
REFERENCE

Register	Default	Range	Comment
S512	1	0..7	<p>Specify power up state.</p> <p>When set to 0, AT+BTO is required to open the device for Bluetooth activity.</p> <p>When set to 1, it proceeds to a state as if AT+BTO was entered.</p> <p>When set to 2, it will be discoverable only, similar to issuing AT+BTQ.</p> <p>When set to 3, it will be connectable but not discoverable e.g. AT+BTG</p> <p>When set to 4, it will be connectable and discoverable e.g. AT+BTP.</p> <p>When set to 5, it will be like 2, but all UART RX traffic is discarded in absence of a connection while DSR is asserted. If DSR is not asserted, then it behaves exactly as per mode 2.</p> <p>When set to 6, it will be like 3, but all UART RX traffic is discarded in absence of a connection while DSR is asserted. If DSR is not asserted, then it behaves exactly as per mode 3.</p> <p>When set to 7, it will be like 4, but all UART RX traffic is discarded in absence of a connection while DSR is asserted. If DSR is not asserted, then it behaves exactly as per mode 4.</p> <p>Note that by implication, a change to this can only be seen after a power cycle AND if AT&W is actioned prior to the power cycle.</p> <p>If S Reg 554 is non-zero and this register is between 2 and 7 inclusive, then the value of S554 specifies the time in seconds that the device will remain in the specified mode after power up. On timeout, the device will fall back to the mode specified in S Register 555.</p> <p>In some firmware builds, S Registers 565 to 569 inclusive are visible, which allows the start-up mode to depend on the state of RI line (Setting S Reg 565 forces the RI pin to be configured as an input). For this feature to be active, SReg 565 should be set to 1. In that case, on start-up, if RI is asserted, then the start-up mode is defined by S Reg 566 and if deasserted then S Reg 567.</p>
S513	1	0..1	Pairing Authentication, 1 = Enable
S514	10	1..60	Pairing Timeout in seconds. This includes the time a host takes to supply the PIN number when PIN? messages are indicated.
S515	0x001F00	0.. 0xFFFFFFFF	<p>Default Device Class Code to be used with AT+BTO when it is not explicitly specified. When queried, the value is always printed as a hexadecimal number.</p> <p>To change the device class of the module, after AT+BTO, use the command AT+BTC.</p>
S516	0x000000	0..0x2FFFFFFF	<p>Default Device Class filter to be used with AT+BTI when it is not explicitly specified. When queried the value is always printed as a hex number.</p> <p>The seventh most significant digit, can be 0,1 or 2, and is used to specify the type of device class filter.</p> <p>When 0, it specifies no filtering.</p> <p>When 1, it specifies an AND mask and all 24 bits are relevant</p> <p>When 2, it specifies a filter to look for devices with matching major device class which occupies a 5 bit field from bits 8 to 12 inclusive (assuming numbering starts at bit 0). All other 19 bits MUST be set to 0.</p>
S517	20	2..61	Inquiry Length in units of seconds. This parameter is referenced by the AT+BTI command

AT COMMAND SET
REFERENCE

Register	Default	Range	Comment
S518	8	0..255	Maximum number of responses from an inquiry request. This parameter is reference by the AT+BTI command. If this number is set too high, then AT+BTI will return ERROR 27. For a particular firmware revision, determine the effective maximum value by trial and error. That is, set to a high value, send AT+BTI and if ERROR 27 is returned, then retry with a smaller value. This effective max value will remain unchanged for that particular firmware build.
S519	500	100..6000	When S507>0, and in a connection, DSR can be used to change from data to command state by deasserting the DSR line for less than the time specified in this register. This value is rounded down to the nearest 100ms
S520	Depends on device – see comments	1200..115200	Change to a standard baud rate. The effect is immediate and in fact the OK will be sent at the new baud rate. Only one of the following baud rates are accepted: 1200,2400,4800,9600,19200,28800,38400,57600,115200. If S register 525=1, then the maximum baud rate is limited to 115200 The default is 9600 for Laird Technologies' BISM, Embedded Modules and BTM43X devices and 115200 for other Laird Technologies Bluetooth devices.
S521	See Comment	1200..921600	Change baud rate to non-standard value. Laird Technologies' modules support any baud rate. The only limitation is the integer arithmetic involved, which may adjust the applied rate slightly. If the internally computed baud rate is more than 2% offset from the desired input value, then an ERROR will be returned and the old baud rate will prevail. To inspect the actual baud rate, do AT+V521? S521 should only be used for non-standard baud rates. For standard baud rates use S520. The effect is immediate and in fact the OK will be sent at the new baud rate. In the event that a non-standard baud rate is requested, it is entirely possible that the host is not capable of generating such a baud rate. In this case the Laird Technologies device cannot be communicated with. If this happens, there is a procedure to recover from this situation which is described in section titled "Factory Default Mode" The default is 9600 for the Laird Technologies Module and 115200 for other Laird Technologies devices. See S Register 526 for further information
S524	0	0..2	Parity. 0=None, 1=Odd, 2=Even See S Register 526 for further information.
S526	3	1..3	This register specifies a 2 bit mask used to qualify how S Registers 520 to 524 are actioned. When bit 0 is 1, the new comms parameter affects the UART immediately. When bit 1 is 1, the new comms parameter is stored in non-volatile memory So for example, to change comms parameters, but have them come into effect only after subsequent power cycles, then this register should be set to 2, and likewise to affect immediately and yet not have it persist over a power cycle, the value should be set to 1. Must be set before the baud rate change.
S530	1000	100..15000	Reconnect delay when configured as master in pure-cable-replacement mode. This value is rounded down to the nearest 100ms. See S Register 505 and 543 also

AT COMMAND SET
REFERENCE

Register	Default	Range	Comment
S531	0	0..5	Specifies the mode on connection establishment. 0 = Normal, that data is exchanged between UART and RF 1 = LOCAL_COMMAND. UART input is parsed by the AT interpreter and RF data is discarded 2 = REMOTE_COMMAND. RF input is parsed by the AT interpreter and UART data is discarded. If S Reg 536 is not 1 then this register cannot be set to 2 and an ERROR will be returned 3=LOCAL_COMMAND. UART input is parsed by the AT interpreter and incoming RF data is sent to the host using the RX<string> asynchronous response. 4=LOCAL_COMMAND and on the rf side, the gpio is automatically sent when there is a change in input. See section 9.5 for more details. 5=DEAMON mode (Reserved for future use)
S532	0	0..7	If non zero then on every connection, a SCO channel (audio) will be initiated. Bit 0 for HV1, Bit1 for HV2 and Bit2 for HV3. When the connection is lost, the SCO channel disappears along with it.
S533	1	0..2	If set to 1 then GPIO5 follows RI state, if set to 2 then it follows the state of DSR and if 0 it is not driven and GPIO5 is available as a user I/O. This register will not necessarily be effective immediately after changing the value. It must be saved to non-volatile memory using AT&W and will operate as expected after an ATZ or a power cycle.
S534	1	0..2	When set to 0, GPIO4 is available as user i/o If set to 1 then right LED follows DCD state. If set to 2 then the led behaves as per setting 1, but in addition, when not in a connection, if the device is connectable or discoverable, then the led will blink. This register will not necessarily be effective immediately after changing the value. It must be saved to non-volatile store using AT&W and will operate as expected after an ATZ or a power cycle.
S535	20	0..41	Link Supervision Timeout. If units go out of range, then a NO CARRIER message will be sent to the host after the time specified here
S536	0	0..1	When set to 1, a remote device can 'capture' the AT parser of this unit by it sending this module an escape "!!!" sequence. The inter character timing is set via S Register 12. If S Register 507 is >= 2, then reading this register will always return 0 and writing 1 will result in ERROR 33.
S538	0	0..1	If 1, then when a successful pairing occurs, it is automatically saved in the trusted device database – if it has room to store it.
S539	0	0..1	When set to 1, in idle mode (S512=1), UART Rx characters are discarded if DSR is deasserted.
S540	0	0 48..127	Sets the MTU in L2CAP configuration negotiations. The value of 0 is a special value which is taken to mean that the current value should remain.
S541	6	-50..6	This sets the power level in dBm when inquiring or paging. Reading this register returns the value stored in non-volatile memory.
S542	6	-50..6	As per S541, however reading this register returns the current power level as set in the base band. The read can be different from S541 because the actual power is set using a lookup table and the base band rounds down to the nearest value in the table.

AT COMMAND SET
REFERENCE

Register	Default	Range	Comment
S543	0	0..1	<p>If this is set to 1, then incoming pairing attempts will be accepted (if a pin code has been pre-entered using AT+BTK) while in the wait phase of auto connect cycle initiated by the AT+BTR command. In addition to accepting pairing attempts, if the pairing is successful, then the new device is automatically set as the peer address for automatic connections (as if an explicit AT+BTR command was entered).</p> <p>See S Register 505 and 530 also</p>
S544	1	0..1	<p>Configure the UART for either low latency or maximum throughput. A setting of 1 gives maximum throughput.</p>
S551	0x3211	0xFFFF	<p>This register specifies in each 4 bit nibble, how the outgoing modem status bits to the remote peer gets its value. Bluetooth allows for RTR, RTC, DV and IC bits to be exchanged over an RF-COMM connection.</p> <p>Nibble 0..3 specifies the source for RTC 4..7 specifies the source for RTR 8..11 specifies the source for DV (i.e. DCD) 12..15 specifies the source for IC (i.e. RI)</p> <p>Each nibble can take the following value:-</p> <ol style="list-style-type: none"> 0 Always set to 0 1 Always set to 1 2 If DCD (pin 8 on module connector) is output then always 1 If DCD is input then 1 if DCD is asserted otherwise 0 3 If RI (pin 6) is output then always 0 If RI is input then 1 if RI is asserted otherwise 0 4 If DSR (pin 10) is asserted then 1 otherwise 0 <p>In the event that a nibble specifies DSR as the source of its state, be aware that if, S Register 507 is anything other than 0, a de-assertion of DSR will cause the Bluetooth connection to be dropped. If bits 0..3 and 4..7 are set to 0, then some Bluetooth devices will use that as a signal to stop sending any data back. For example, Nokia 6310 stops responding.</p> <p>If this register is changed while in command and connected mode, then on going back online using the ATO command, a fresh signal will be sent to the peer to update the bits.</p>
S552	0x0122	0x0FFF	<p>This register specifies in each 4 bit nibble, how the DTR, DCD, RI output pins are controlled when in a Bluetooth connection</p> <p>Nibble 0..3 specifies the source for DTR 4..7 specifies the source for DCD 8..11 specifies the source for RI</p> <p>Each nibble can take the following value:-</p> <ol style="list-style-type: none"> 0 Do NOT touch the I/O 1 Always deassert 2 Always assert 3 If RTC bit in CONTROL_IND is 1 then assert otherwise deassert 4 If RTR bit in CONTROL_IND is 1 then assert otherwise deassert 5 If DV bit in CONTROL_IND is 1 then assert otherwise deassert 6 If IC bit in CONTROL_IND is 1 then assert otherwise deassert

AT COMMAND SET
REFERENCE

Register	Default	Range	Comment
S553	0x0201	0x0FFF	<p>This register specifies in each 4 bit nibble, how the DTR,DCD,RI output pins are controlled when NOT in a Bluetooth connection. If this register is changed while in command and connected mode, then on going back online using the ATO command, the modem output lines will get refreshed.</p> <p>Nibble 0..3 specifies the source for DTR 4..7 specifies the source for DCD 8..11 specifies the source for RI</p> <p>In addition it also refers to S Register 552 to see if the relevant pin is an input or not to be touched. If the nibble in 552 is 0, then the relevant pin is an input.</p> <p>Each nibble can take the following value:-</p> <ul style="list-style-type: none"> 0 Always deassert 1 Always assert 2 Assert if RING is being sent to the host <p>The default for the Universal RS-232 Adaptor is \$0200.</p>
S554	0	0..900	<p>If S Register 512 >=2 and <=7 then this register specifies a time in seconds for which the device will stay in the S512 mode after power up or reset. On timeout, it will abort the discoverable and/or connectable and fall back into S512=1 mode, when it is deaf and dumb.</p> <p>Note that if AT+BTR has been used to specify a peer device, then on reverting to mode 1, it will attempt to make a connection to that peer device.</p> <p>A power cycle, reset via BREAK or ATZ is required to see the effects of change.</p>
S555	1	1..7	<p>If S Register 554 is nonzero, then after the post reset window expires, the mode will revert to the mode specified in this register. This allows, for example, the device to be discoverable and connectable on power up (mode 4 or 7) and on window timer expiry to revert to connectable only (mode 3 or 6).</p> <p>A power cycle, reset via BREAK or ATZ is required to see effects of a change.</p> <p>In some firmware builds, S Registers 565 to 569 inclusive are visible, which allows the start-up mode to depend on the state of RI line (Setting S Reg 565 forces the RI pin to be configured as an input). For this feature to be active, SReg 565 should be set to 1. In that case, on start-up, if RI is asserted, then the start-up mode is defined by S Reg 568 and if deasserted then S Reg 569.</p>
S556	0	0..3	<p>Allows GPIO values to be read via the minor class field in an inquiry response.</p> <p>When this value is non-zero, bits 2 to 7 contain information as follow:-</p> <ul style="list-style-type: none"> 1 :- Unused 2 :- Unused 3 :- GPIO1 to GPIO6 <p>Set to 0 to disable this feature.</p> <p>This allows i/o information to be conveyed without a connection.</p>
S557	32	4..900	<p>Specified in seconds, the update interval for the feature enabled via S Reg 556</p>
S558	0	0..1	<p>When 1, the following responses; "RING", "NO CARRIER" and "CONNECT" are replaced by "BTIN", "BTDOWN" and "BTUP" respectively. This will eliminate ambiguity when the module has a Bluetooth connection to an AT modem which also gives these responses.</p>

AT COMMAND SET
REFERENCE

Register	Default	Range	Comment
S559	0	0..3	This specifies a mask. When Bit 0 is 1, the response word "ERROR" is replaced by "BTERR" and "OK" is replaced by "ok". When Bit 1 is 1, then error responses do not include the error number and instead the error number can be retrieved using AT112.
S560	15	15..120	Disconnect timeout in seconds. This timer specifies how long to wait for confirmation from the peer device and/or the underlying stack that the connection has been successfully torn down. There can be instances where a confirmation does not arrive and so in this case this timer is used to 'close off' the procedure and put the state machine back into a proper mode for new operations. Time is specified with 15 seconds intervals.
S561	0	0..1000	Sniff Attempt Time in units of milliseconds. 0 means disable. See section "Power Consumption and Reset" in the user guide for more details.
S562	0	0..1000	Sniff timeout Time in units of milliseconds. 0 means disable. See section "Power Consumption and Reset" in the user guide for more details.
S563	0	0..1000	Sniff Minimum Interval in units of milliseconds. 0 means disable. See section "Power Consumption and Reset" in the user guide for more details.
S564	0	0..1000	Sniff Maximum Interval in units of milliseconds. See section "Power Consumption and Reset" in the user guide for more details.
S565	0	1	If set to 1, RI (Ring Indicate) line is configured as an input and forces the start-up mode (SReg512) and post-timeout on Start-up mode (SReg555) to be dependent on the state of RI. The RI conditional modes are defined by SRegs 566 to 569 inclusive.
S566	1	7	If S565=1, and RI is asserted then this is the mode the device will start up in.
S567	1	7	If S565=1, and RI is deasserted then this is the mode the device will start up in.
S568	1	7	If S565=1, and RI is asserted then this is the mode the device will assume after the post-start-up timeout defined in SReg 554 instead of mode defined in SReg555
S569	1	7	If S565=1, and RI is deasserted then this is the mode the device will assume after the post-start-up timeout defined in SReg 554 instead of mode defined in SReg555
S582	0	0..1	FTP Related: 0 = BodyLen in PUT obex packet = 0 1 = BodyLen in PUT obex packet = 1
S583	0xB	0 .. 0x1F	This specifies the initial state of the following modem control lines sent to the peer Bit 0 := RTC (DTR/DSR) Bit 1 := RTR (RTS/CTS) Bit 2 := IC (Ring Indicate RI) Bit 3 := DV (DCD) Bit 4 := FC (Reserved)

AT COMMAND SET
REFERENCE

Register	Default	Range	Comment
S584	0	0..1	Enable/Disable eSCO When changing the unit returns ERROR 14 it implies the device is either in a connection or waiting for a connection and so the new value cannot be accepted. For the former, drop the connection, then issue the command AT+BTX and then set the new value and for the latter issue the command AT+BTX prior to setting the register.
S585	0	0..8	Enable / disable GPIO PWM feature on specified GPIO pin. Set to 0 to disable the feature on all GPIO pins. PWM pulse width and repetition are controlled by S registers 586 and 587.
S586	1000	100..5000	Pulse period in milliseconds (rounded down to nearest multiple of 50)
S587	0	0..100	Duty cycle in percent (rounded to the nearest multiple of 4)
S588	0	0..1	After a disconnection, there will be a cold reset
S589	8	0..F	Codec output gain
S590	1	0..3	Codec input gain
S591	0	0..1FF	Default GPIO output states when not in a connection. This is used when virtual digital i/o cable replacement mode is in operation
S592	0	0..1	Set this to 1 to reduce the trusted device database to just 1 record when autosaving of pairing is enabled via S reg 538
S593	0	0..1	Automatically append last 6 digits of local bluetooth address to the friendlyname which was set via AT+BTN or AT+BTF
S594	0	0..1	Set handsfree profile version in sdp record. Set to 0 for 1.1 and to 1 for 1.5. Allows SDP record to be manipulated when host implements handsfree profile.
S595	1	0..1	Set handsfree gateway profile version in sdp record. Set to 0 for 1.1 and to 1 for 1.5. Allows SDP record to be manipulated when host implements handsfree profile.
S596	0	1..1FF	Audio Gateway features to be advertised in SDP record. See handsfree profile specification for exact bit mapping. Allows SDP record to be manipulated when host implements handsfree profile.
S597	0	0..2	Audio gateway Mode: set to 0 for SDP record advert only. No other values for this register are currently approved.
S600	?	0..65535	Number of times this module has gone through a reset cycle. This feature is enabled by S Reg 601. Writing any value to this register will initialise it to a certain value
S601	0	0..1	If this is 1, then on reset S Reg 600 value will be incremented.
S610	0	0..7FFF	Set direction of digital I/O lines. This is a mask made up of 8 bits. Setting a bit to 1 makes that I/O line an output. GPIO1 is bit 0, GPIO2 is bit 1, up to bit 7 for GPIO8.
S611	0	1	Set to 1 to invert the logic of GPIO outputs. For example, ATS621=1 will set the output pin to low and vice versa.
S620	n/a	0..255	Read/Write to all 8 Digital lines in one atomic step. The value is returned as a 4 digit hexadecimal value with trailing 0s.
S621	n/a	0..1	Read/Write to GPIO1
S622	n/a	0..1	Read/Write to GPIO2
S623	n/a	0..1	Read/Write to GPIO3
S624	n/a	0..1	Read/Write to GPIO4
S625	n/a	0..1	Read/Write to GPIO5

**AT COMMAND SET
REFERENCE**

Register	Default	Range	Comment
S626	n/a	0..1	Read/Write to GPIO6
S627	n/a	0..1	Read/Write to GPIO7
S628	n/a	0..1	Read/Write to GPIO8
S631	n/a	0..65535	When GPIO1 is configured as an input, low to high transitions are counted. There is no software debouncing. External RC circuit may be required. The counter wraps to 0 when it overflows beyond 65535.
S632	n/a	0..65535	When GPIO2 is configured as an input, low to high transitions are counted. There is no software debouncing. External RC circuit may be required. The counter wraps to 0 when it overflows beyond 65535.
S641	n/a	0..65535	As per 631, but the action of reading the value will reset the count to 0.
S642	n/a	0..65535	As per 632, but the action of reading the value will reset the count to 0.
S1001 to S1010		0.. 2 ³²	10 General Purpose 32 bit Registers for use by host. These are stored in non-volatile memory.

AT COMMAND SET REFERENCE**5. ATSn? {Read S Register Value}**

This will return the current value of register n.

For recognized values of n

Response: <cr,&lf>As Appropriate<cr,&lf>OK<cr,&lf>

For unrecognized values of n

Response: <cr,&lf>ERROR nn<cr,&lf>

6. ATSn=? {Read S Register – Valid Range}

This will return the valid range of values for register n.

For recognized values of n

Response: <cr,&lf>Sn:(nnnn..mmmm)<cr,&lf>OK<cr,&lf>

For unrecognized values of n

Response: <cr,&lf>ERROR nn<cr,&lf>

7. ATZ<n> {Hardware Reset and emerge into mode 'n'}

Forces the device through a hardware reset which means it will eventually come alive in the local command and unconnected mode. This allows changes to the PS store to take effect.

ATZ and ATZ0 signify reset and emerge into the current mode (see command AT114). ATZ1 to ATZ4 instructs the module to reset and then emerge into the appropriate boot mode. Note that S Reg 103 specifies the boot mode from cold.

Response: <cr,&lf>OK<cr,&lf> and OK is returned after the RESET

8. AT&Fn {Set S Register Defaults}

This command will only work when the device is in local command and unconnected mode.

Depending on the value of 'n' it installs S Register values appropriate for various power modes, ranging from minimum power consumption to maximum.

Legal values of 'n' are as per the following table. All other values of n will generate a syntax error response. If 'n' is not specified then a default value of 0 is assumed where the baud rate is NOT changed.

&F0 (Default) Medium power consumption, UART baud rate unchanged,
Left LED off, Right LED = DCD

&F1 Minimum power consumption, UART baud rate set to 9600, Left and Right LED off

&F2 Minimum power consumption, UART baud rate set to 38400, Left and Right LED off

&F3 Minimum power consumption, UART baud rate set to 115200, Left and Right LED off

&F4 Medium power consumption, UART baud rate set to 115200, Left LED off, Right LED = DCD

&F5 Maximum power consumption, UART baud rate set to 115200,
Left LED=DSR, Right LED = DCD

&F6 Maximum power consumption, UART baud rate set to 115200,
Left LED=DSR, Right LED = DCD
Explicitly set higher baud rates using AT521=n

The new values are NOT updated in non-volatile memory until the AT&W command is sent to the Laird Technologies device.

Response: <cr,&lf>OK<cr,&lf>

Or

Response: <cr,&lf>ERROR nn<cr,&lf>

**AT COMMAND SET
REFERENCE****9. AT&F* {Clear Non-volatile Memory}**

The AT&F* variant of the command installs values in S registers as per command AT&F4 and then all other user parameters in non-volatile memory are erased. This means that the trusted device database is cleared, and so are parameters related to the following commands:- AT+BTR, AT+BTN, AT+BTS.

Response: <cr,lf>OK<cr,lf>

Or

Response: <cr,lf>ERROR nn<cr,lf>

10. AT&F+ {Clear Non-volatile Memory}

This command erases all user parameters in non-volatile memory except the comms related S registers, for example 520. This means that the trusted device database is cleared, and so are parameters related to the following commands:- AT+BTR, AT+BTN, AT+BTS.

Response: <cr,lf>OK<cr,lf>

Or

Response: <cr,lf>ERROR nn<cr,lf>

11. AT&W {Write S Registers to Non-volatile Memory}

Writes current S Register values to non-volatile memory so that they are retained over a power cycle.

Response: <cr,lf>OK<cr,lf>

Or

Response: <cr,lf>ERROR nn<cr,lf>

12. Factory Default Mode

Laird Technologies devices are capable of operating at a very wide range of baud rates. S Registers 520 and 521 allow the baud rate to be set very easily. The baud rate clock generator in the Laird Technologies device is more versatile than that available in a standard 16550 UART commonly available in PCs.

In fact, as long as the equation $BAUDRATE * 0.004096$ produces an integer value, then there will be 0% error in clocking for that baud rate.

So it is possible to set a baud rate that a PC cannot cope with, and in that circumstance it is virtually impossible to communicate with it.

To cater for this circumstance, if the DSR input is de-asserted on reset, the Laird Technologies device will come out of reset using 9600,N,8,1 comms settings for approximately 750 milliseconds and then revert to the comms parameters as per the S Registers.

If the host sends the string !<BISM>!<cr> where <cr> is the carriage return character within that 750ms period, then the module will remain at 9600,N,8,1 and will also configure itself using factory default S Register values. In practice, due to timing variations while coming out of reset, the best practice is to send the !<BISM>! command about 300 ms after reset and repeat it every 200 ms for about 1500ms until a response is received.

13. Miscellaneous Features**13.1 RI dependent Start-up Mode**

The UART_RI line can be configured as an input and on power its state can be used to force the device into one of two modes. See description for S Registers 565 to 569 inclusive for more details.

For example, the feature could allow a device to make an outgoing connection if RI is in one state, and be ready for an incoming connection in the other.

13.2 Pulse a GPIO pin

To flash a GPIO pin, set it as an output using S reg 610 and then use S reg 585 to 587 inclusive to set the pin, period and duty cycle respectively.

**AT COMMAND SET
REFERENCE****13.3 Flash LED on Connectable Mode**

S reg 534 now takes a value up to 2. A value of 2 configures it so that it will blink when the module is in connectable mode.

13.4 Reset via BREAK

The module can be reset by sending a BREAK signal. A BREAK signal exists when the module's UART_RX input is in a non-idle state (0v) for more that 125 milliseconds.

13.5 Append Bluetooth Address to Friendly name

If S Reg 593 is set to 1, then the last 6 hex digits of the Bluetooth address are automatically appended to the friendly name. This allows multiple devices with the same name in a neighborhood to be differentiated.

AT COMMAND SET REFERENCE CONNECTION MANAGEMENT COMMANDS**1. ^^^ {Enter Local Command Mode}**

When in data and connected mode, the host can force the device into a command and connected mode so that AT Commands can be issued to the device. The character in this escape sequence is specified in the S2 register, so can be changed. In addition, the escape sequence guard time is specified by S Register 12. By default the guard time is set to 100 milliseconds. Please refer to Section 5: Dropping Connections for more related information.

In modems this escape sequence is usually “+++”. “^^^” is specified to avoid confusion when the module is providing access to a modem.

Response: <cr,lf>OK<cr,lf>

2. !!! {Enter Remote Command Mode}

When in data and connected mode, the host can force the remote device into a command and connected mode so that AT Commands can be issued to the device remotely. The escape sequence guard time is specified by S Register 12 and is the same as per the ^^^ escape sequence. By default the guard time is set to 100 milliseconds. The remote device issues ATO as normal to return to data mode. (Refer to 2.2.12)

For this command to be effective S Register 536 must be set to 1.

Response: <cr,lf>OK<cr,lf>

3. ATA {Answer Call}

Accept an incoming connection, which is indicated by the unsolicited string

<cr,lf>RING 123456789012<cr,lf> every second. 123456789012 is the Bluetooth address of the connecting device.

Response: <cr,lf>CONNECT 123456789012<cr,lf>

4. ATD<U><Y><bd_addr>,<uuid> {Make Outgoing Connection}

Make a connection to device with Bluetooth address <bd_addr> and profile <uuid>. The <uuid> is an optional parameter which specifies the UUID of the profile server to attach to, and if not supplied then the default UUID from S Register 101 is used. As this is a Laird Technologies device which utilizes the RFCOMM layer as described in the Bluetooth specification, it necessarily implies that only profiles based on RFCOMM can be accessed.

If <U> is not specified, then authentication is as per register 500, otherwise the connection will be authenticated.

If <Y> is not specified, then encryption is as per register 501, otherwise the connection will have encryption enabled.

The timeout is specified by S register 505.

Response: <cr,lf>CONNECT 123456789012<cr,lf>

Or <cr,lf>NO CARRIER<cr,lf>

Due to a known issue in the Bluetooth RFCOMM stack, it is not possible to make more than 65525 outgoing connections in a single power up session. Therefore if that number is exceeded, then the connection attempt will fail with the following response:-

Response: <cr,lf>CALL LIMIT

Or <cr,lf>NO CARRIER<cr,lf>

In that case, issuing an ATZ to reset the device will reset the count to 0 and more connections are possible.

**AT COMMAND SET
REFERENCE**

RFCOMM based UUIDs are defined in the Bluetooth Specification and some are reproduced below:-

Profile Name	UUID
Serial Port	1101
LAN Access Using PPP	1102
Dialup Networking	1103
IrMC Sync	1104
OBEX Object Push	1105
OBEX File Transfer	1106
IrMC Sync Command	1107
Headset	1108
Audio Gateway	1112
WAP	1113
WAP_CLIENT	1114

5. ATD<U><Y><bd_addr>,<ServiceName> {Make Connection}

Make a connection to device with Bluetooth address <bd_addr> and profile specified via S Reg 101 AND which has a service name starting with the string <ServiceName>. The ServiceName parameter is a string delimited by “.

If <U> is not specified, then authentication is as per register 500, otherwise the connection will be authenticated.

If <Y> is not specified, then encryption is as per register 501, otherwise the connection will have encryption enabled.

The timeout is specified by S register 505.

Response: <cr,lf>CONNECT 123456789012<cr,lf>

Or <cr,lf>NO CARRIER<cr,lf>

6. ATD<U><Y>L {Remake Connection}

Make a connection with the same device and service as that specified in the most recent ATD command. The <UY> modifiers are optional. An error will be returned if the ‘L’ modifier is specified AND a Bluetooth address.

If both ‘L’ and ‘R’ modifiers are specified then an error will be returned.

Response: <cr,lf>CONNECT 123456789012 AE<cr,lf>

Or <cr,lf>NO CARRIER<cr,lf>

7. ATD<U><Y>R {Make Connection to peer specified in AT+BTR}

Make a connection with the device address specified in the most recent AT+BTR command. The service is as specified in S Register 101. The <UY> modifiers are optional. An error will be returned if the ‘R’ modifier is specified AND a Bluetooth address.

If both ‘R’ and ‘L’ modifiers are specified then an error will be returned.

Response: <cr,lf>CONNECT 123456789012 AE<cr,lf>

Or <cr,lf>NO CARRIER<cr,lf>

8. ATH {Drop Connection}

Drop an existing connection or reject an incoming connection indicated by unsolicited RING messages.

Response: <cr,lf>NO CARRIER<cr,lf>

AT COMMAND SET REFERENCE

9. ATO {Enter Data Mode} (letter 'o')

Return to data mode. Assume that the module is in data mode after OK is received. Responds with an error if there is no Bluetooth connection.

Response: <cr,lf> CONNECT 123456789012<cr,lf>

or

Response: <cr,lf>ERROR nn<cr,lf>

10. AT+BTC<devclass> {Set Device Class Code}

This command is used to set the device class code which will be sent in subsequent inquiry responses. It can be read back using the AT+BTC? Command, as described below.

<devclass> is a 6 digit hexadecimal number derived as per section "1.2 The Class of Device/Service Field" of the Bluetooth specification "Bluetooth Assigned Numbers".

The 24 bits are made of 4 fields briefly described as follows (bit 0 corresponds to the least significant bit):-

Bits 0-1: Format Type. This field currently only has a value of 00 (i.e. format type 1).

Bits 2-7: These 6 bits define the Minor Device Class and the value is interpreted differently based on the Major Device class stored in the next 5 bits.

Bits 8-12: These 5 bits define the Major Device Class as per Table 1.3 in "Bluetooth Assigned Numbers".

Bits 13-23: This is an 11 bit field used as a mask to define the Major Service Class, as per Table 1.2 in "Bluetooth Assigned Number".

Laird Technologies devices do not map to any predefined Major Service Class or Major Device Class and so the default devclass as shipped is 001F00, which means no Major Service Class and "Unclassified" Major Device class.

Other examples of device class codes are follows:-

Code (Hexadecimal)	Name	Major Service	Major Device	Minor Device
001F00	Unclassified	None	Unclassified	n/a
200404	Headset	Audio	Audio	Headset

Response: <cr,lf>OK<cr,lf>

Or for an invalid <devclass> value (usually a value which is not 6 hexadecimal characters long).

Response: <cr,lf>ERROR 08<cr,lf>

11. AT+BTC? {Read Device Class Code}

This command is used to read the current device class code.

Response: <cr,lf>123456
<cr,lf>OK<cr,lf>

12. AT+BTD<bd_addr> {Remove Trusted Device}

This command is used to remove the specified device from the list of trusted devices in the non-volatile database. If the device is not in the database then the response will still be an OK.

Response: <cr,lf>OK<cr,lf>

13. AT+BTD* {Remove All Trusted Devices}

This command is used to remove all devices from the list of trusted devices in the non-volatile database. No confirmation will be asked for. So beware!!!

WARNING: If you make an authenticated connection, the link key gets cached in the underlying stack. So if you subsequently delete the key using AT+BTD* and immediately request an authenticated connection to the same device, then the connection will be established. To ensure this does not happen, either send ATZ after the AT+BTD* OR send AT+BTD<bd_addr> for each item in the trusted device database.

Response: <cr,lf>OK<cr,lf>

**AT COMMAND SET
REFERENCE****14. AT+BTF=<string> {Set Friendly Name}**

This sets the friendly name of this device as seen by other devices

Response: <cr,lf>OK<cr,lf>

15. AT+BTF<bd_addr> {Get Remote Friendly Name}

This command gets the remote friendly name of the peer specified.

Response: <cr,lf><bd_addr>,"Friendly Name"

<cr,lf>OK<cr,lf>

16. AT+BTG<bd_addr> {Enable Cautious Page Scanning ONLY}

Enable page scanning and wait for a connection from device with Bluetooth address <bd_addr>. If the specified address is 000000000000 then incoming connections are accepted from any device, is as per AT+BTP without an address. Inquiry Scans are disabled.

This command also has variants which allow authentication and encryption to be explicitly specified. For example:-

AT+BTGU123456789012

AT+BTGY123456789012

AT+BTGUY123456789012

AT+BTGYU123456789012

Response: <cr,lf>OK<cr,lf>

17. AT+BTG {Enable Promiscuous Page Scanning ONLY}

Enable page scanning only and wait for a connection from any device. Inquiry scans are disabled. Authentication and Encryption is as per S registers 502 and 503.

Response: <cr,lf>OK<cr,lf>

18. AT+BTGU {Enable Promiscuous Page Scanning ONLY}

Enable page scanning only and wait for a connection from any device. Inquiry scans are disabled. Authentication is enabled and encryption is disabled.

Response: <cr,lf>OK<cr,lf>

19. AT+BTGY {Enable Promiscuous Page Scanning ONLY}

Enable page scanning only and wait for a connection from any device. Inquiry scans disabled. Authentication is disabled and encryption is enabled.

Response: <cr,lf>OK<cr,lf>

20. AT+BTGUY {Enable Promiscuous Page Scanning ONLY}

Enable page scanning only and wait for a connection from any device. Inquiry scans are disabled. Authentication and encryption are both enabled. The order of U and Y is not significant.

Response: <cr,lf>OK<cr,lf>

**AT COMMAND SET
REFERENCE****21. AT+BTI<devclass> {Inquire}**

This will make the device perform an inquiry for device class code for delay milliseconds and max number of unique responses, where delay is specified by S register 517 and max is specified by S register 518.

The <devclass> is an optional parameter where the value specifies either a 6 digit device class code or a 2 digit major device class. If it is not specified, then the value is taken from S register 516.

When <devclass> is 6 hexadecimal characters long, it specifies an AND mask which is used to filter inquiry responses. When <devclass> is 2 hexadecimal characters long, it forces the inquiry to filter responses to devices that match their major device class code to this value – which can only be in the range 00 to 1F.

Response: <cr,lf>12346789012

<cr,lf>12345678914

<cr,lf>OK<cr,lf>

If the module is waiting for an incoming connection, (entered via AT+BTP, AT+BTG, AT+BTQ), then it will respond with ERROR 14. To perform the inquiry, send AT+BTX to put the module back into idle mode.

Response: <cr,lf>ERROR 14<cr,lf>

ERROR RESPONSE

A Bluetooth inquiry process is such that for a single inquiry request a device could respond many times. To ensure that an address is sent to the host only once for a particular AT+BTI, an array of addresses is created at the start of each AT+BTI and is filled as responses come in. This array of addresses is stored in dynamic memory and as such if the memory allocation fails then the inquiry procedure is aborted and in that case an error response is sent to the host.

To clarify, a single AT+BTI will never return the same Bluetooth address more than once, but as long as the responding device is active, all AT+BTI commands will always return it.

Response: <cr,lf>ERROR 27<cr,lf>

22. AT+BTIV<devclass> {Inquire}

As per AT+BTI but the response includes the device class code for all inquiry responses. Please refer to the 'ERROR RESPONSE' note in the description for AT+BTI<devclass>.

Response: <cr,lf>12346789012,123456

<cr,lf>12345678914,123456

<cr,lf>OK<cr,lf>

23. AT+BTIN<devclass> {Inquire}

As per AT+BTI but the response includes the device class code and friendly name for all inquiry responses. Please refer to the 'ERROR RESPONSE' note in the description for AT+BTI<devclass>. The friendly name strings are in UTF-8 format as per the Bluetooth specification.

Response: <cr,lf>12346789012,123456,"Laird 012345 "

<cr,lf>12345678914,123456, "Laird123456"

<cr,lf>OK<cr,lf>

We strongly recommend that any software implementation that uses this command to find Laird Technologies modules should check for LAIRD, EZURIO and TDK SYSTEMS in the friendly name to ensure backwards and forwards compatibility.

24. AT+BTK=<string> {Set Passkey}

This command is used to provide a passkey when PIN? 12345678 indications are received asynchronously. If a pairing is not in progress then the pin is written to non-volatile memory for future use. Specifying an empty string deletes the key from the non-volatile memory.

The string length must be in the range 0 to 16, otherwise an error will be returned.

Response: <cr,lf>OK<cr,lf>

**AT COMMAND SET
REFERENCE****25. AT+BTM<bd_addr> {Set Incoming Peer Address}**

This command is used to store a peer address for incoming connections in non-volatile memory. A value of 000000000000 has the special meaning of invalid peer address.

When S register 512 = 3, 4, 6 or 7 then it will wait for an incoming connection from the peer address specified. If the peer address is not 000000000000, then it waits for a connection from the specified master, otherwise will connect to anyone.

Response: <cr,lf>OK<cr,lf>

26. AT+BTM {Delete Incoming Peer Address}

This command is used to delete the peer address previously stored using AT+BTR<bd_addr>.

Response: <cr,lf>OK<cr,lf>

27. AT+BTM? {Read Incoming Peer Address}

This command is used to display the peer address stored in non-volatile memory, used to put the module in pure cable replacement mode.

Response: <cr,lf>12346789012

<cr,lf>OK<cr,lf>

If the location is empty the response is as follows.

Response: <cr,lf>000000000000

<cr,lf>OK<cr,lf>

28. AT+BTN=<string> {Set Friendly Name in Non-volatile Memory}

This sets the default friendly name of this device as seen by other devices. It will be stored in non-volatile memory. Use AT+BTF to make the name visible to other devices. Use AT+BTN? To read it back.

An empty string ("") will delete the string from non-volatile memory which will force the default name to be used.

Response: <cr,lf>OK<cr,lf>

29. AT+BTN? {Read Friendly Name from Non-volatile Memory}

Read the default friendly name from non-volatile memory.

Response: <cr,lf>"My FriendlyName"<cr,lf>

<cr,lf>OK<cr,lf>

30. AT+BTP<bd_addr> {Enable Cautious Page/Inquiry Scanning}

Enable page scanning and wait for a connection from device with Bluetooth address <bd_addr>. If the specified address is 000000000000 then incoming connections are accepted from any device, is as per AT+BTP without an address. Inquiry scanning is also enabled.

This command also has variants which allow authentication and encryption to be explicitly specified.

For example:-

AT+BTPU123456789012

AT+BTPY123456789012

AT+BTPUY123456789012

AT+BTPYU123456789012

Response: <cr,lf>OK<cr,lf>

31. AT+BTP {Enable Promiscuous Page/Inquiry Scanning}

Enable page scanning and wait for a connection from any device. Inquiry scanning is also enabled. Authentication and Encryption is as per S registers 502 and 503.

Response: <cr,lf>OK<cr,lf>

**AT COMMAND SET
REFERENCE****32. AT+BTPU {Enable Promiscuous Page/Inquiry Scanning}**

Enable page scanning and wait for a connection from any device. Inquiry scanning is also enabled. Authentication is enabled and encryption is disabled.

Response: <cr,lf>OK<cr,lf>

33. AT+BTPY {Enable Promiscuous Page/Inquiry Scanning}

Enable page scanning and wait for a connection from any device. Inquiry scanning is also enabled. Authentication is disabled and encryption is enabled.

Response: <cr,lf>OK<cr,lf>

34. AT+BTPUY {Enable Promiscuous Page/Inquiry Scanning}

Enable page scanning and wait for a connection from any device. Inquiry scanning is also enabled. Authentication and encryption are both enabled. The order of U and Y is not significant.

Response: <cr,lf>OK<cr,lf>

35. AT+BTQ {Enable Inquiry Scans ONLY}

When inquiry scan is enabled, it implies that this device will respond to inquiries from other devices. Use AT+BTX to disable inquiries.

Response: <cr,lf>OK<cr,lf>

36. AT+BTR<bd_addr> {Set Outgoing Peer Address}

This command is used to store a peer address for outbound connections in non-volatile memory. A value of 000000000000 has the special meaning of invalid peer address.

This command is used to set up a module in pure cable replacement mode.

If S register 512 = 1 and the peer address is NOT 000000000000, then it will periodically (time specified via S register 505) attempt to connect to the peer address specified. In this circumstance all commands from the host are buffered in the receive buffer, until a Bluetooth connection is established with the peer device and it then sends the buffer across. This means that if the peer device is not in the vicinity and will never be there, the device effectively becomes useless, as in this circumstance a host would want to get attention of the AT parser to send it new commands – probably one to delete the peer device.

In this circumstance, a recovery is possible by one of two methods. The first method assumes that the DTR from the host is connected to the DSR line of the module and the second method assumes that this connection is absent. In the first method it is enough to deassert the DTR line from the host and that will abort the autoconnect cycle. The second method is initiated by resetting the device and then ensuring that the text string "AT+BT&BISM&<cr>" is sent (where <cr> is the carriage return character). There is special code which looks out for this magic command and terminates the autoconnect cycle if it sees it and confirms to the host of that fact by sending an "OK" response.

Response: <cr,lf>OK<cr,lf>

37. AT+BTR {Delete Outgoing Peer Address}

This command is used to delete the peer address previously stored using AT+BTR<bd_addr>.

Response: <cr,lf>OK<cr,lf>

38. AT+BTR? {Read Outgoing Peer Address}

This command is used to display the peer address stored in non-volatile memory, used to put the Laird Technologies device in pure cable replacement mode.

Response: <cr,lf>12346789012

<cr,lf>OK<cr,lf>

If the location is empty the response is as follows.

Response: <cr,lf>000000000000

<cr,lf>OK<cr,lf>

**AT COMMAND SET
REFERENCE****39. AT+BTS=<string> {Set Service Name}**

This writes the name to non-volatile memory. It will be used after ATZ or power cycle. Use AT+BTS? to read it back from non-volatile memory. An empty string (" ") will delete the string from non-volatile memory which will force the default SPP service name to be used.

Response: <cr,lf>OK<cr,lf>

If the service name cannot be set for any reason then an error response ERROR 11 is returned.

40. AT+BTS? {Read Service Name from Non-volatile Memory}

Reads the default service name from non-volatile memory.

Response: <cr,lf>"My ServiceName"<cr,lf>
<cr,lf>OK<cr,lf>

41. AT+BTT {Add Trusted Device}

This command is used to store the cached link key in the non-volatile database. If the database is full it will respond with an ERROR. If the device is already in the database, then the key is replaced.

If the link key cache is empty, that is, a pairing has not been performed since the device was powered, then the response will be an ERROR.

Response: <cr,lf>OK<cr,lf>

or

Response: <cr,lf>ERROR<cr,lf>

42. AT+BTT? {List Trusted Device}

This command is used to list the contents of the trusted device database. The link key is NOT displayed so the response is as shown below. If the list is empty then just the OK response is sent otherwise an OK is used to terminate the list. Use the command ATi6 to read the maximum size of the trusted device database.

Response: <cr,lf>12346789012
<cr,lf>12345678913
<cr,lf>12345678914
<cr,lf>OK<cr,lf>

43. AT+BTU<U><Y><bd_addr>,<uuid> {SDP Query for Service }

This command is used to interrogate the SDP database of the peer device <bd_addr> for the service <uuid>. It results in an ACL connection and then a SDP transaction.

If the <uuid> service is present then

Response: <cr,lf>0
<cr,lf>OK<cr,lf>

If the <uuid> service is not present then

Response: <cr,lf>1
<cr,lf>OK<cr,lf>

If the device < bd_addr > cannot be reached, or is in non-connectable mode then

Response: <cr,lf>2
<cr,lf>OK<cr,lf>

If the SDP database is corrupt or invalid then

Response: <cr,lf>3
<cr,lf>OK<cr,lf>

If the device is not in idle mode then

Response: <cr,lf>4
<cr,lf>OK<cr,lf>

and in this case, the command AT+BTX may put the device into the correct idle mode.

**AT COMMAND SET
REFERENCE****44. AT+BTW<bd_addr> {Initiate Pairing}**

This initiates pairing with a device whose Bluetooth address is <bd_addr>. An OK response is sent and when the PIN is required, asynchronous indications will be sent to the host in the form PIN? <bd_addr> where the address confirms the device with which the pairing is to be performed. To supply a PIN, use the AT+BTK command.

For a successful pairing, the link key is stored in a volatile cache which is overwritten every time a new pairing is initiated using this command. The link key can be stored in a non-volatile database within the device. The list of trusted devices is managed using commands AT+BTT?, AT+BTT and AT+BTM. The AT+BTT? command produces a list of trusted Bluetooth addresses (link key is NEVER displayed) and AT+BTT is used to store the cached link key. The command AT+BTM123456789012 is used to remove the specified device from the database.

The "OK" response is sent immediately on receipt of the AT+BTW command. On pairing completion, an unsolicited message will be sent to the host which will be in the form PAIR n <bd_addr>. See section 3.7 for more details.

If AT+BTI or AT+BTP or AT+BTG or AT+BTQ or ATD is issued between the AT+BTW command and the subsequence PAIR asynchronous response, then an ERROR response will be sent to those commands as the device is not in a mode from where such commands can be actioned.

Response: <cr,lf>OK<cr,lf>

45. AT+BTW? {List Cached Trusted Device}

This command is used to list the cached trusted device.

Response: <cr,lf>12346789012
<cr,lf>OK<cr,lf>

If the cache is empty the response is as follows.

Response: <cr,lf>OK<cr,lf>

46. AT+BTX {Disable Page/Inquiry Scanning}

Disable page/inquiry scanning. This means it will not accept incoming connections or inquiry requests. In fact this negates the effect of AT+BTQ, AT+BTG and AT+BTP commands.

Response: <cr,lf>OK<cr,lf>

47. Incoming Connections

The Laird Technologies device can be configured using the AT+BTP or AT+BTG command so that it will scan for incoming connections from other Bluetooth devices. It can also be configured via S Register 512 to be in this mode by default on power up.

When the lower layers detect an incoming call, a RING 123456789012 string is sent to the host every second. The command ATA is used to accept the connection and ATH to reject it.

On connection, if the S0 Register is >=0 then confirmation to the host is in the form:-

```
CONNECT 123456789012
CONNECT 123456789012 A
CONNECT 123456789012 E
CONNECT 123456789012 AE
```

Where 'A' means authenticated connection and 'E' means encryption has been enabled.

When S0 register is -1, neither RING nor CONNECT is sent to the host and the connection is silently accepted.

If the S 100 register is non-zero, then after the ring indications specified by this register have been sent to the host, and the host has failed to accept or reject the incoming connection, then an automatic 'hangup' is initiated.

AT COMMAND SET REFERENCE**48. Dropping Connections**

In a conventional telephony modem, a call is normally terminated by first sending a +++ character sequence enveloped by an escape sequence guard time (of the order of 100 to 1000 milliseconds) to enter local command and connected mode and then the ATH command.

Laird Technologies Bluetooth modules provide a variety of ways of dropping a connection. One method is similar to the above, but instead a ^^^ character sequence is used, this is to eliminate ambiguity when a data call is in progress via a mobile phone which was established using the mobile phone's Bluetooth AT modem. The second method involves the host deasserting the DTR (DSR from the module's viewpoint) handshaking line.

Being able to drop a connection using the escape sequence ^^^ has a severe penalty on data throughput, in fact, the data rate is of the order of 85kbps instead of about 200kbps. To cater for this performance hit, the device's connection drop capability is configurable to be in one of two modes.

One mode allows for a connection to be dropped using either method, and the other mode allows for a connection drop using the DTR method only. By default, the device is in former mode. This mode is selected using the S507 register. See S register table described in an earlier section.

To reiterate, the escape sequence is as follows:-

<Guard time><Esc Chr><Guard time><Esc Chr><Guard time><Esc Chr><Guard time>

This means that even when a file transfer is occurring and it happens to be full of <Esc Chr> characters then it is not going to drop into command mode because, when transferring a file it is going to happen as fast as possible and so the inter character gap is going to be significantly shorter than the <Guard time>.

The <Esc Chr> character can be changed via the S2 register and the <Guard time> interval can be specified via the S12 register.

49. Pairing and Trusted Devices

When authentication is enabled via S register 500 or when using the 'u' modifier in the ATD and AT+BTP commands, a connection attempt will require a link key for the peer device. The link key can be obtained prior to connection by invoking the AT+BTW and AT+BTK commands. A new link key can be obtained as often as required and is stored in a volatile cache. At any time, this cached link key can be added to the trusted devices database using the AT+BTT command. A trusted device can be deleted using the AT+BTD command. To view a list of trusted device issue the command AT+BTT?.

In addition, if S Register 538 is set to 1, then on a successful pairing, the link key will be automatically saved to the trusted device database. In that case, the asynchronous message PAIR 0 <bd_addr> has an error code appended at the end to convey the result of the save operation.

When a connection attempt requires a link key, the trusted device database will be searched automatically and if one exists will be provided without host interaction. If the link key is not present, then the connection attempt will be terminated and a NO CARRIER response will be given to the ATD command.

A typical session to pair, say an Ericsson T68i, to a serial module would be:

- Make the T68i discoverable and send AT+BTI to the serial module. This will result in inquiry responses from all devices. Make a note of the Bluetooth address of the phone e.g. 123456789012
- On the T68i start pairing procedure by selecting "Phone accepts" in the relevant Bluetooth menu.
- Send command AT+BTW123456789012 to the serial module
- Confirm that you get an OK response and then PIN? responses on a 2 second interval.
- Enter a pin code on the phone. Say it is 12345768
- Then enter the command AT+BTK="12345678".
- The phone will confirm success and likewise the serial module will respond with OK
- On success the serial module will send an unsolicited message in the form of PAIR 0 <bd_addr>
- Send AT+BTT to the serial module so that the pairing information is stored in the non-volatile database.
- Confirm that the link key has been stored by sending the command AT+BTT?. This will result in a list of all devices paired with the module.

**AT COMMAND SET
REFERENCE**

If two Laird Technologies devices need to be paired, then it can be accomplished as follows:-

- To device 1 send AT+I4, it will respond with the local Bluetooth address. E.g. 123456789001
- To device 1 send AT+BTP. It will become discoverable and connectable.
- To device 2 send AT+BTW123456789001 and it will respond with OK
- Then on both devices you will see PIN? asynchronous responses
- To both modules send AT+BTK="12345678"
- On success the serial module will send an unsolicited message in the form of PAIR 0 <bd_addr>
- The pairing link key, is at this stage, in volatile memory, so send AT+BTT to both.
The two units now have pairing information which will survive a power cycle.

AUDIO LINK MANAGEMENT COMMANDS**1. AT+BTAn {Control Audio Channel}**

Once a Bluetooth connection is active, and assuming the peer device is a Laird Technologies device, this command is used to start/stop a SCO channel which will connect the PCM interfaces of the two peer devices. This means that if a codec is attached to the PCM pins, then 2-way audio can be established.

+BTA0 Switch off the channel.

+BTAn Switch on the sco channel using HV1,HV2,HV3 packets. 'n' is a bit mask. Where bit 0 is used to specify HV1, bit 1 for HV2 and bit 2 for HV3. It is usually best to specify 7 and let the underlying stack select the best packet for the prevailing rf conditions.

If the value of 'n' is offset by 1000 (ie 1001 to 1007) then eSCO channels are established.

On receipt of the command, the following response immediately follows.

Response: <cr,&lf>OK<cr,&lf>

The lower layers then go through the process of setting up the SCO channel, and as soon as a SCO link is established, the following response is asynchronously sent to the host.

Response: <cr,&lf>AUDIO ON<cr,&lf>

Or if the SCO failed to be established.

Response: <cr,&lf>AUDIO FAIL<cr,&lf>

On the peer device, the host will asynchronously get

Response: <cr,&lf>AUDIO ON<cr,&lf>

2. ATSn=m

The following values of n are relevant to audio operation: 589, 590. A description of these values is given in Section 2.4.

3. Unsolicited Responses

The 'AT' Protocol is a command/response type of protocol. This means that the Laird Technologies device will normally only respond to AT commands.

Under special circumstances, unsolicited responses will be sent to the host. They are described in the following subsections.

3.1 AUDIO ON

This response is sent to the host when a SCO channel has been established.

3.2 AUDIO OFF

This response is sent to the host when an existing SCO channel has been closed.

3.3 AUDIO FAIL

This response is sent to the host when a SCO channel setup fails.

AT COMMAND SET REFERENCE **SPP PROFILE COMMANDS****1. ATX<string> {Send Data in Local Command and Connected Mode}**

This command is used to send data to the remote device when in local command and connected mode.

The parameter <string> is any string not more than 24 characters long. If a non-visual character is to be sent then insert the escape sequence \hh where hh are two hexadecimal digits. The 3 character sequence \hh will be converted into a single byte before transmission to the peer.

Response: <cr,lf>OK<cr,lf>

2. ATY<string> {Send Data in Local Command and Connected Mode}

This command is similar to ATX in syntax and functionality, except that the string is only copied to the output rf buffer. Only when an empty string is presented will all pending data in the output rf buffer be flushed out.

The parameter <string> is any string not more than 24 characters long. If a non-visual character is to be sent then insert the escape sequence \hh where hh are two hexadecimal digits. The 3 character sequence \hh will be converted into a single byte before transmission to the peer.

Response: <cr,lf>OK<cr,lf>

3. ATIn

The following values of n are relevant to SPP operation: 9, 11, 13, 101, 111. A description of these values is given in Section 2.3.

4. ATSn=m

The following values of n are relevant to SPP operation: 0, 2, 12, 100, 102, 500, 501, 502, 503, 504, 505, 507, 519, 530, 531, 551, 552, 553, 561, 562, 563, 564, 583. A description of these values is given in Section 2.4.

5. Digital I/O Cable Replacement

The module has a number of general purpose digital i/o pins. The direction of these are specified via S Reg 610.

When S Reg 531 is set to 4 at both ends of the connection, then on connection, any changes in the states of the inputs at one end will be transmitted to the peer, which will then reflect those states on the appropriate i/o pins if they have been configured as outputs.

It is recommended that the value of S Reg 610 at one end be the one's complement of the other end. That way, inputs at one end are mirrored at the other end and vice versa.

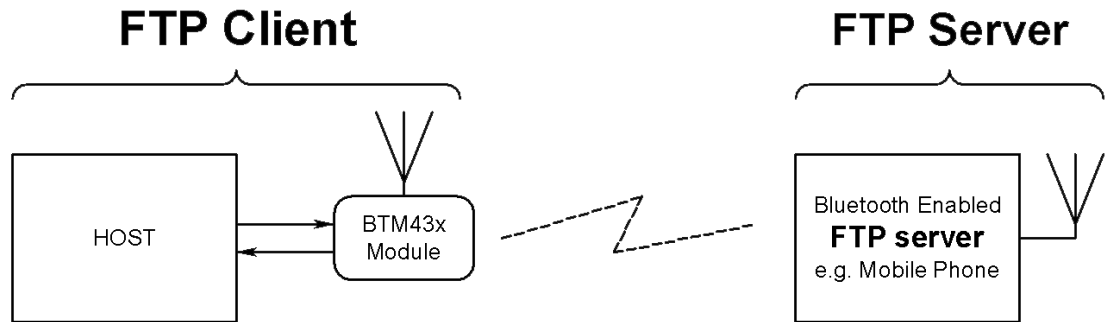
In addition S Reg 506 MUST be set to 0, which disables echos.

Note that due to inherent latency of Bluetooth transmission, expect the change of state to be delayed. This value is typically 100ms and can be much more if the quality of the link is bad which results in many retries.

It is assumed that an audio channel is not active at any time.

AT COMMAND SET REFERENCE FTP CLIENT PROFILE COMMANDS

The FTP profile provides a capability allowing a host to act as an 'ftp client' to a peer device providing an 'ftp server' profile as shown in the diagram below.



An FTP client capability implies the ability to send and receive files and also to manipulate file objects in the remote device. The Bluetooth FTP server profile specification describes the profile as one built on Obex Exchange (OBEX) which is in turn built on SPP.

The FTP implementation allows a host attached to the module to send and receive files and in addition to manipulate files and folders.

The format used for describing this protocol is a series of message sequence charts with accompanying notes as appropriate, which unambiguously convey how a host and the module shall interact to perform the task.

1. Generic Notes and Guidance

In the message sequence charts the following abbreviations apply:-

- <filename> shall mean a string delimited by the " character. For example, "hello.txt"
- <foldername> shall mean a string delimited by the " character.
- nnn shall be a decimal number with at least one digit.
- The backspace character is not supported.
- All FTP commands are case sensitive.
- FTP Commands shall not exceed 32 characters in total.
- While an FTP session is open, the host shall not deassert the modules UART_CTS line and conversely the host MUST always be ready to accept data.
- When Unicode data is transmitted, it shall be assumed that the most significant byte is transmitted first.
- If an FTP command is expecting a Unicode string as a parameter and the host has an ascii string, the string shall be expanded with a 0 byte in the most significant position.

2. FTP related AT Commands**2.1 AT+FTP<bd_addr>**

This command is used to establish a connection to an FTP server profile in a peer device with Bluetooth address <bd_addr>.

When a connection is successfully established, the host shall assume that the current folder is the root folder. This root folder is always relative to the host. It is NOT necessarily the absolute root folder of the host machine.

2.2 AT+OFT<bd_addr>

This command is used to establish a connection to an FTP server profile in a peer device with Bluetooth address <bd_addr> and functions similarly to AT+FTP, but instead of the responses being "\r\nNNN FTP\r\n" it will be "\r\nNNN OBX\r\n", where NNN is a decimal number.

This capability of choosing the response type is to allow a host to cater generically a connection which is either FTP or ObexPush.

**AT COMMAND SET
REFERENCE****2.3 ATSn=m**

The following values of n are relevant to FTP operation: 582. A description of these values is given on page 19.

3. FTP related Subcommands

This section describes FTP related subcommands that the host can use to control the ftp session.

3.1 PUT <filename> <length> (Send file)

This ftp subcommand is used to send a file to the ftp server.

The length of <filename> shall not exceed 24 characters.

The optional <length> value is inserted into the OBEX length header field. This is optional for FTP.

There is some ambiguity as to how the first obex PUT packet is formed with respect to the 'Body' header. The Obex specification does not prohibit the first 'Body' header to be empty, neither does it say that it must NOT be empty. If the first body is NOT empty when sending a file to a Nokia 6820 phone then it seems to confuse it. Hence Laird Technologies have taken to sending out an empty 'Body' header by default which is also what the Windows PC based Widcomm Bluetooth stack does.

To cater for future devices which NEED the first 'Body' header to be non-empty, a new S Register 582 has been added to allow a host to have control over how the first body header is constructed.

The new S register 582 takes values in the range 0 to 1. The default value is 0 which implies that the first 'Body' header in the PUT obex packet will be empty. A value of 1 forces that 'Body' header to have 1 byte of data – and in this case when the module prompts the host for a length value it shall respond accordingly.

Laird Technologies hope that the default value of 0 will suffice for all occasions, but provide the control to modify the packet as required.

3.2 PUT -nnn <length> (Send file)

This ftp subcommand is used to send a file to the ftp server where the filename is in UNICODE text and the filename is -nnn bytes long.

The optional <length> value is inserted into the OBEX length header field. This is optional for FTP.

See comment above with regards to S Reg 582.

3.3 GET <filename> (Retrieve a file)

This ftp subcommand is used to retrieve a file from the ftp server.

The length of <filename> shall not exceed 24 characters

3.4 GET -nnn (Retrieve a file)

This ftp subcommand is used to retrieve a file from the ftp server where the filename is in UNICODE and the filename is -nnn bytes long

3.5 DIR (Get folder listing)

This ftp subcommand is used to retrieve the folder listing.

The Bluetooth ftp specification requires a server to transmit a folder listing as a properly formed XML document. In a properly formed document the character '&' is supposed to be escaped into a 5 character string &. Testing has shown that the Widcomm Bluetooth stack and also the Microsoft Windows CE Bluetooth stack do not comply with that requirement and send the '&' unescaped.

This means that if a folder contains filenames with '&' characters, it will result in a failed parsing of the xml document and this command will fail with the response "090 FTP".

In this circumstance, the only way for the host to extract the folder listing from the server is to request the folder listing in raw xml form. This is expedited using the command described next.

**AT COMMAND SET
REFERENCE****3.6 DIR -RAW (Get folder listing, XML document)**

This ftp subcommand is used to retrieve the folder listing. In this variant the obex response packet, which is in ascii XML format, is sent to the host verbatim.

WARNING: Be aware that the Widcomm stack seems to append 2 null characters at the end of the XML document. This means extra care if the host stores data as null terminated strings – because the final “200 FTP” prompt will seem to be corrupted when it is not.

3.7 MD <foldername> (Create a folder)

This ftp subcommand is used to create (make) a subfolder.

The length of <foldername> shall not exceed 24 characters.

3.8 MD -nnn (Create a folder)

This ftp subcommand is used to create (make) a subfolder which is specified in unicode.

3.9 CD <foldername> (Change folder)

This ftp subcommand is used to navigate to the subfolder specified.

The length of <foldername> shall not exceed 24 characters

3.10 CD -nnn (Change folder)

This ftp subcommand is used to navigate to the subfolder specified in unicode

3.11 CD \ (Change folder to root)

This ftp subcommand is used to navigate to the root folder.

3.12 CD .. (Change folder to parent)

This ftp subcommand is used to navigate to the parent folder.

3.13 RD <foldername> (Delete a folder)

This ftp subcommand is used to delete the folder specified. Some FTP servers do not allow non-empty folders to be deleted. In that case an appropriate error response shall be returned to the host.

The length of <foldername> shall not exceed 24 characters

3.14 RD -nnn (Delete a folder)

This ftp subcommand is used to delete the folder specified where the foldername is specified in unicode.

3.15 DEL <filename> (Delete a file)

This ftp subcommand is used to delete the file specified.

3.16 DEL -nnn (Delete a file)

This ftp subcommand is used to delete the file specified where the filename is specified in Unicode.

3.17 ABORT (Abort current ftp command)

This ftp subcommand is used to abort a file transfer where appropriate.

To abort a PUT session, please send 0 when the module prompts for a length value.

3.18 QUIT (Terminate the FTP session)

This ftp subcommand is used to terminate the ftp session and will also result in the Bluetooth connection being terminated.

3.19 MAX (Max outgoing obex packet size)

This ftp subcommand is used to get the maximum obex packet size tolerated by server and can be used by the host to optimize the data throughput.

AT COMMAND SET REFERENCE

4. FTP related subresponses

All FTP related sub responses sent from the module to the host SHALL be 11 characters long in the format:

```
<cr><lf>nnn AAA<cr><lf>.
```

The characters nnn shall be decimal digits '0' to '9', then there is a space character and finally a 3 character word followed by <cr><lf>.

The <cr><lf> envelope plus the fixed length will hopefully make the parsing task in the host much simpler.

Values for 'nnn' are as specified for HTTP status codes, and reproduced from the OBEX specification as follows:-

OBEX Response Code	HTTP Status Code	Definition
0x00 to 0x0F	None	Reserved
0x10 (0x90)	100	Continue
0x20 (0xA0)	200	OK, Success
0x21 (0xA1)	201	Created
0x22 (0xA2)	202	Accepted
0x23 (0xA3)	203	Non-Authoritative Information
0x24 (0xA4)	204	No Content
0x25 (0xA5)	205	Reset Content
0x26 (0xA6)	206	Partial Content
0x30 (0xB0)	300	Multiple Choices
0x31 (0xB1)	301	Moved Permanently
0x32 (0xB2)	302	Moved temporarily
0x33 (0xB3)	303	See Other
0x34 (0xB4)	304	Not modified
0x35 (0xB5)	305	Use Proxy
0x40 (0xC0)	400	Bad Request - server couldn't understand request
0x41 (0xC1)	401	Unauthorized
0x42 (0xC2)	402	Payment required
0x43 (0xC3)	403	Forbidden - operation is understood but refused
0x44 (0xC4)	404	Not Found
0x45 (0xC5)	405	Method not allowed
0x46 (0xC6)	406	Not Acceptable
0x47 (0xC7)	407	Proxy Authentication required
0x48 (0xC8)	408	Request Time Out
0x49 (0xC9)	409	Conflict
0x4A (0xCA)	410	Gone
0x4B (0xCB)	411	Length Required
0x4C (0xCC)	412	Precondition failed
0x4D (0xCD)	413	Requested entity too large
0x4E (0xCE)	414	Request URL too large
0x4F (0xCF)	415	Unsupported media type
0x50 (0xD0)	500	Internal Server Error
0x51 (0xD1)	501	Not Implemented
0x52 (0xD2)	502	Bad Gateway
0x53 (0xD3)	503	Service Unavailable
0x54 (0xD4)	504	Gateway Timeout
0x55 (0xD5)	505	HTTP version not supported
0x60 (0xE0)	- - -	Database Full
0x61 (0xE1)	- - -	Database Locked

AT COMMAND SET REFERENCE

For more details of these values, please refer to the irDA specification which can be freely downloaded from www.irda.org.

In addition, values in the range 050 to 099 and 250 to 299 inclusive are specific to this Laird Technologies application and are defined as per the table below.

Response Code 'nnn'	(Laird Technologies Specific) Definition
050	Syntax Error / Command Unrecognized
051	Server sent unexpected information in obex packet
052	Obex connection fail, because it is unauthorized
053	Memory allocation failure (Please contact Laird Technologies with details)
055	Unicode File/Folder name length cannot be an odd value
056	Command not recognized
090	An XML parsing error occurred (while processing responded to DIR command)
099	The Bluetooth connection has unexpectedly been dropped. For example, remote out of range etc.
250	GET procedure was aborted

4.1 nnn FTP

This ftp response is used, when the connection was opened using AT+FTP, to convey the outcome of a subcommand to the host where 'nnn' is a fixed 3 digit decimal number as defined in the irDA specification and map to HTTP status codes.

For example, a value of n=200 implies successful operation, any other value usually conveys an error as described in the irDA specification (except the range 050 to 099 inclusive and 250 to 299 inclusive).

Note: When a Bluetooth OBEX session is established, we will be specifying v1.0 in the header packets by default as that is what the Widcomm stack seems to be using and the ftp specifies.

4.2 nnn OBX

This has the same meaning as "nnn FTP" and is used when AT+OFT command was used to open an FTP connection.

4.3 nnn GET

This ftp response is used during a GET file operation. See appropriate message sequence charts for more details. See above for 'nnn' values.

5. FTP line multiplexing commands

When transferring a file, the single serial interface between the host and the module, is used to send and receive data and commands. This means a scheme is required to unambiguously determine when a byte on the line corresponds to a command or data belonging to a file.

The module uses negotiated multiplexing to achieve this, and commands are used to toggle the line between command and data mode.

This scheme is symmetrical and the commands for toggling the state of the line are relevant for both direction. The only difference being that the terminator is <cr> in the host to module direction and <crlf> in the reverse direction.

The commands are described in the following sub sections.

5.1

This command is used to ask the other end how many bytes of a filename or foldername it will send next.

AT COMMAND SET REFERENCE

5.2 >

This command is used to inform the other end that it is safe to send the number of bytes belonging to a filename or foldername as indicated in the most recent # command.

5.2.1 !

This command is used to ask the module/host how many bytes of data it will send next. If the module/host sends a length value too big to cope with, then it can be rejected by sending the ! command again. This is because accepting a value implies this end should send a ? prompt to trigger the data phase (see next section).

5.3 ?

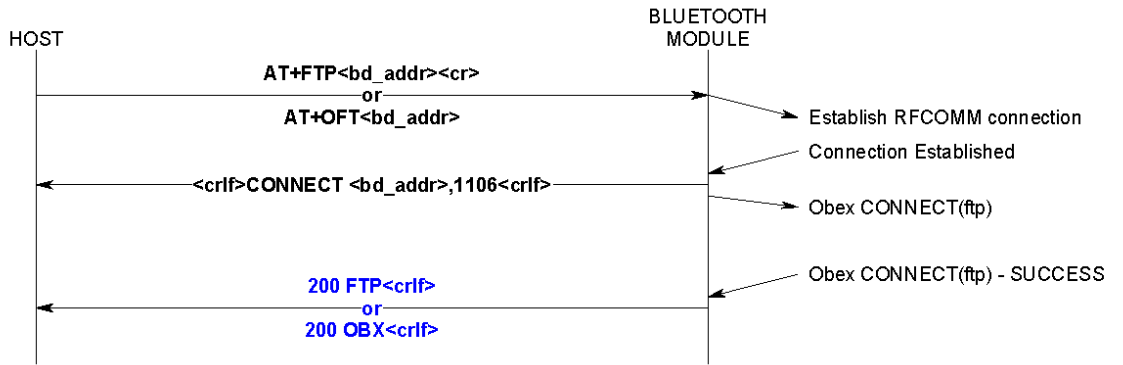
This command is used to inform the other end that it is safe to send the number of bytes belonging to 'data' phase indicated in the most recent ! command.

6. Message Sequence Charts

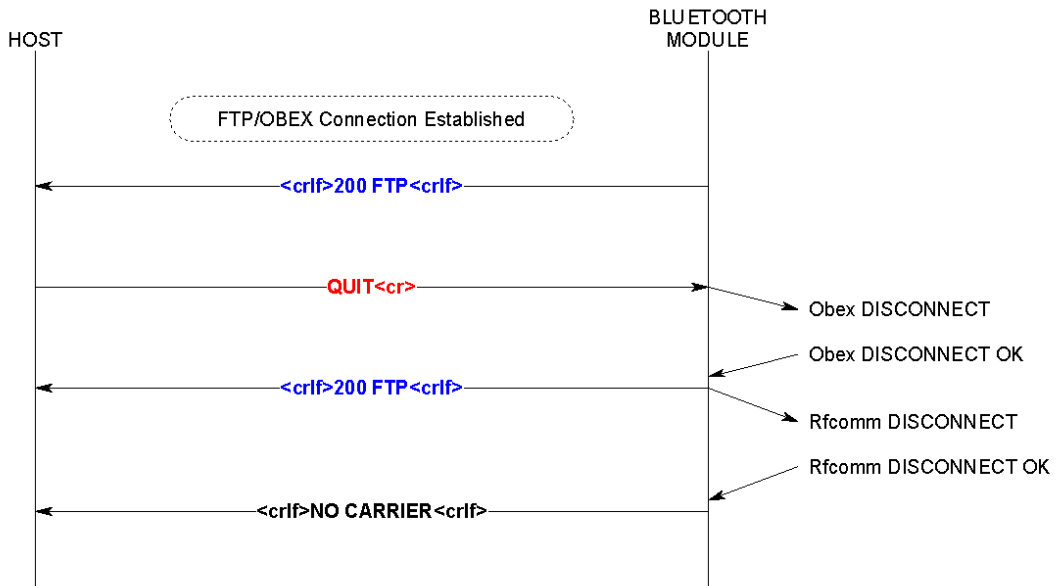
In the following sections, the color scheme uses RED text as commands from a host to the module and BLUE text as responses and prompts from the module to the host. Command/responses shown in BLACK are associated with non-ftp related states.

Apart from FTP connection and disconnection scenarios, to avoid repetition, all message sequence charts shall assume that the module is in a FTP connected state. It also assumes that where "nnn FTP" occurs, it can be read as "nnn OBX" if the command AT+OFT was used to initiate the command.

6.1 Usage: Make FTP connection (No Authentication)

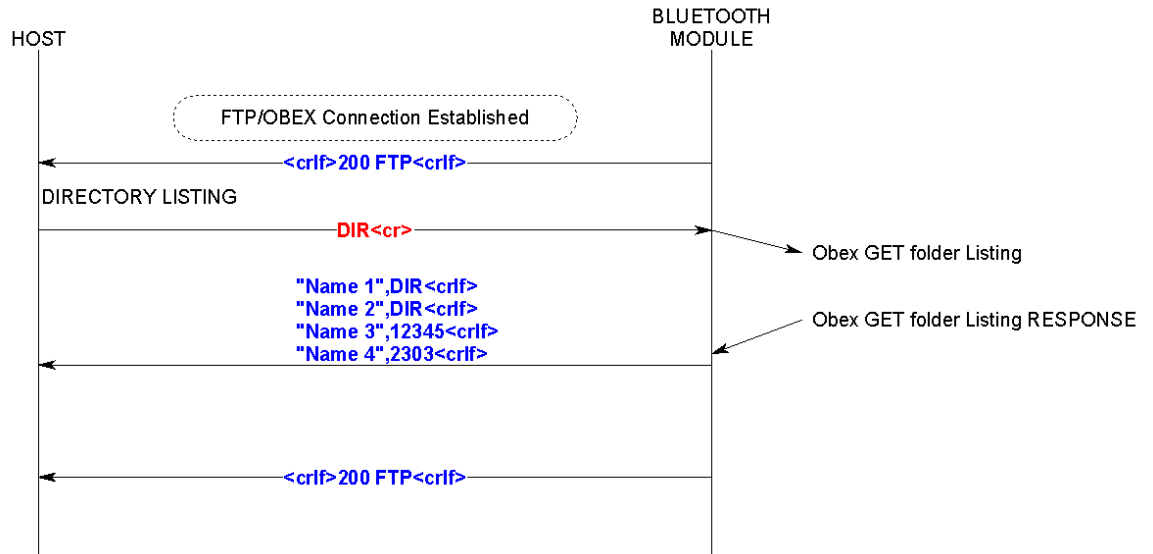


6.2 Usage: FTP Disconnection



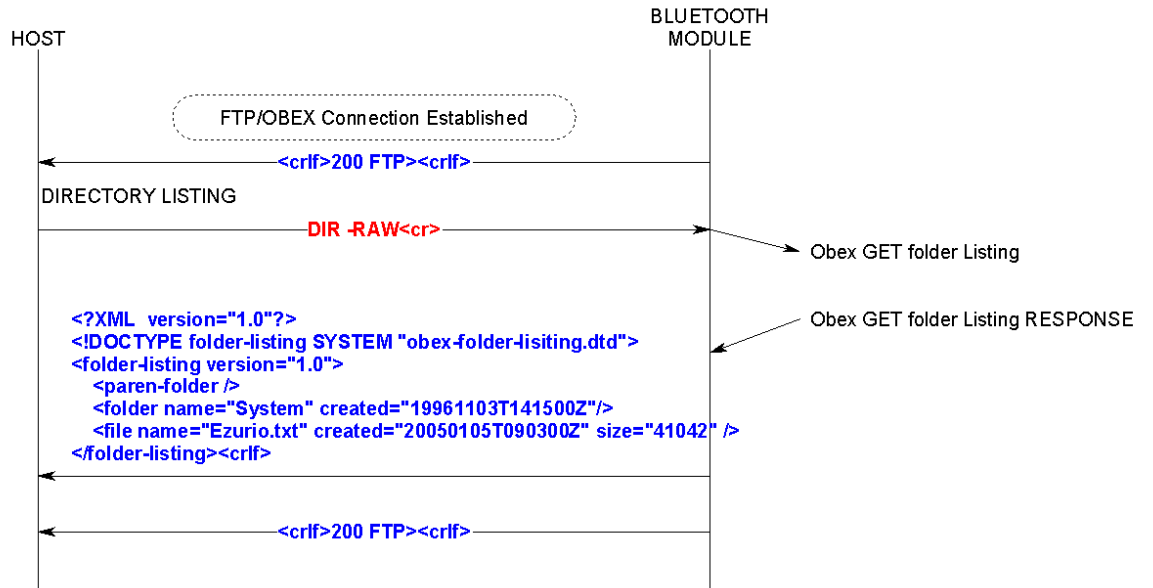
AT COMMAND SET REFERENCE

6.3 Usage: Folder Listing



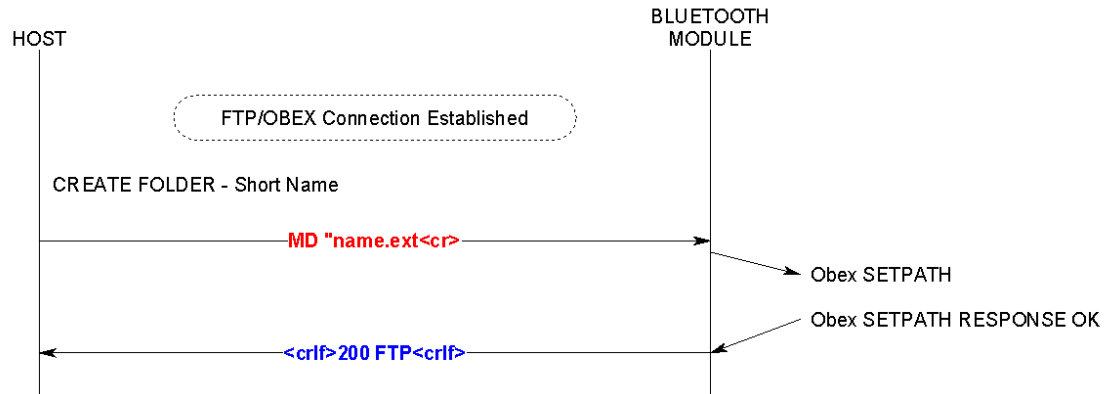
Notes: If a number follows a name then that implies a file.

6.4 Usage: Folder Listing (Raw Output)



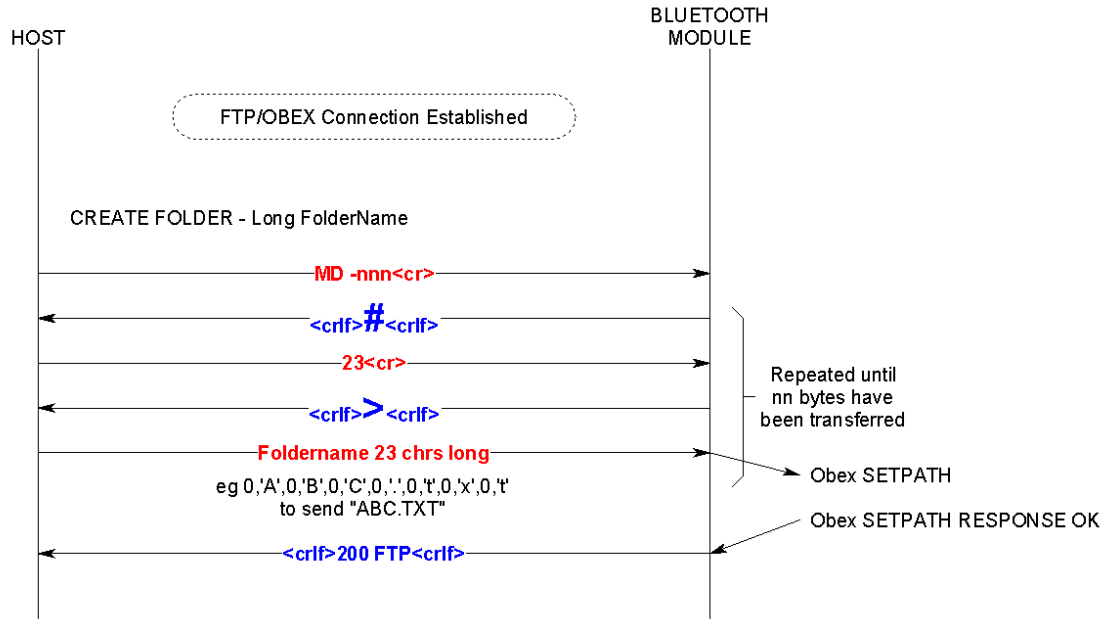
Notes: The raw output is ascii text and is in XML format.

6.5 Usage: Create Folder (Short Folder name)



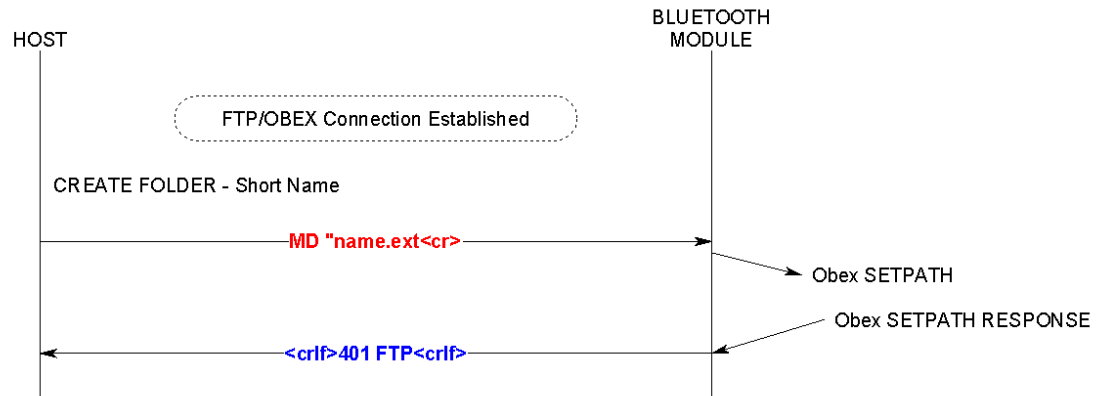
AT COMMAND SET REFERENCE

6.6 Usage: Create Folder (Long Folder name - UNICODE)

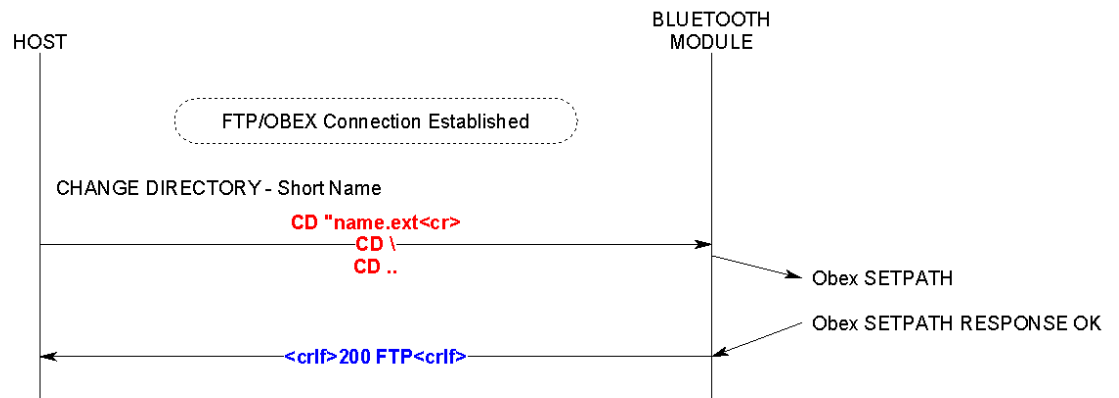


Notes: 'nn' is the size of folder name in bytes. The folder name is supplied in unicode.

6.7 Usage: Create Folder (Unsuccessful)

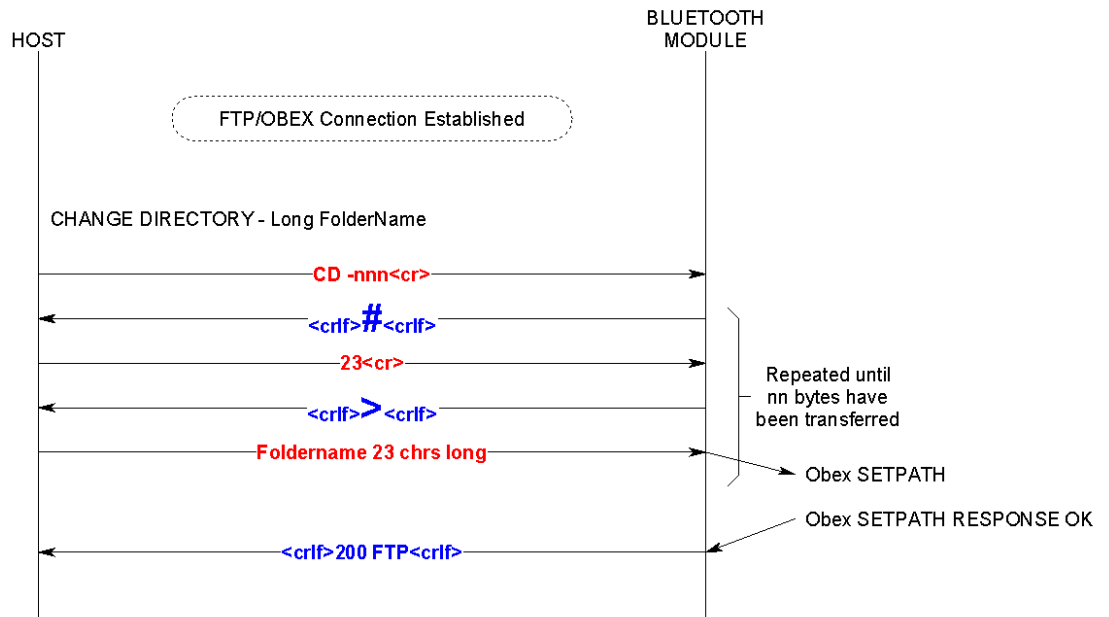


6.8 Usage: Change Folder (Short Folder name)



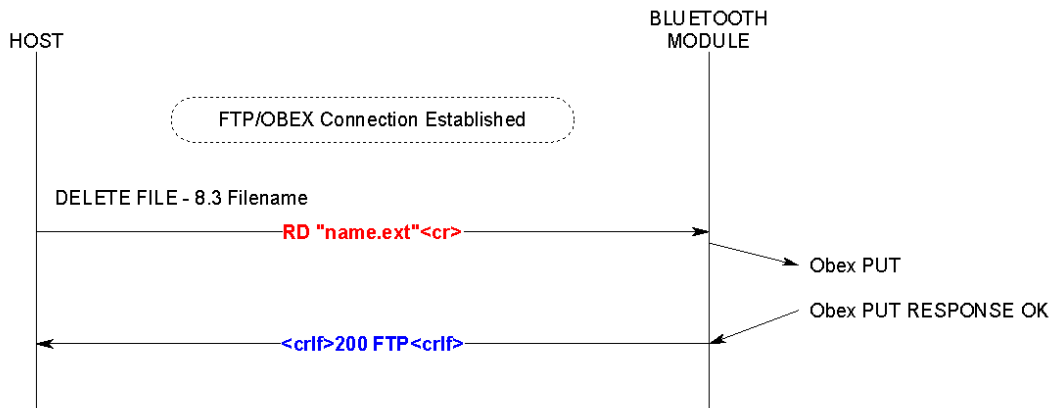
AT COMMAND SET REFERENCE

6.9 Usage: Change Folder (Long Folder name - UNICODE)



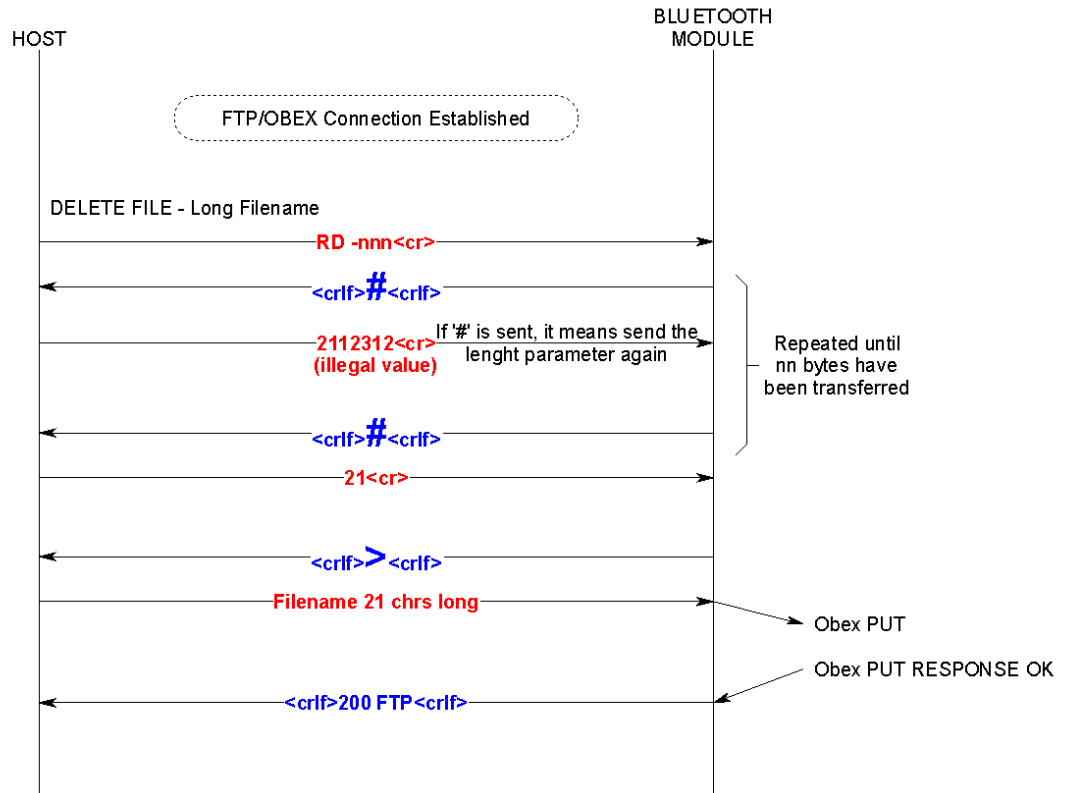
Notes: 'nn' is the size of folder name in bytes. The folder name is supplied in unicode.

6.10 Usage: Remove Folder (Short Folder name)



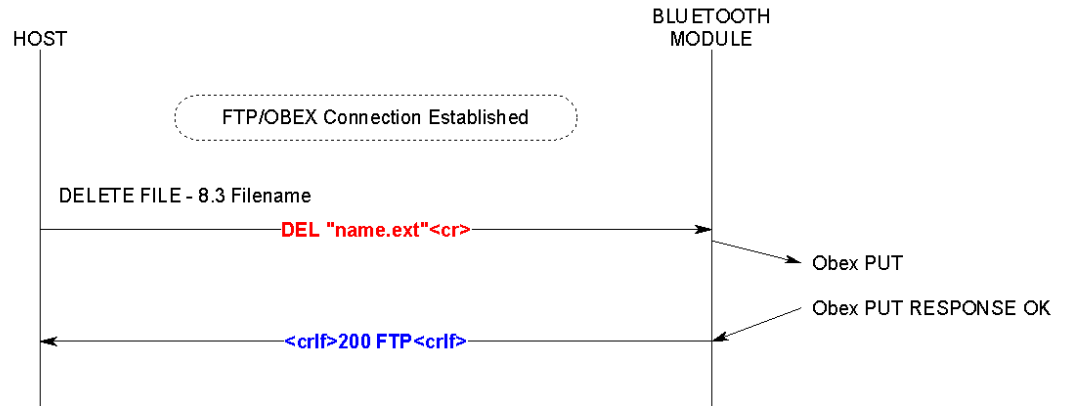
AT COMMAND SET REFERENCE

6.11 Usage: Remove Folder (Long Folder name - UNICODE)



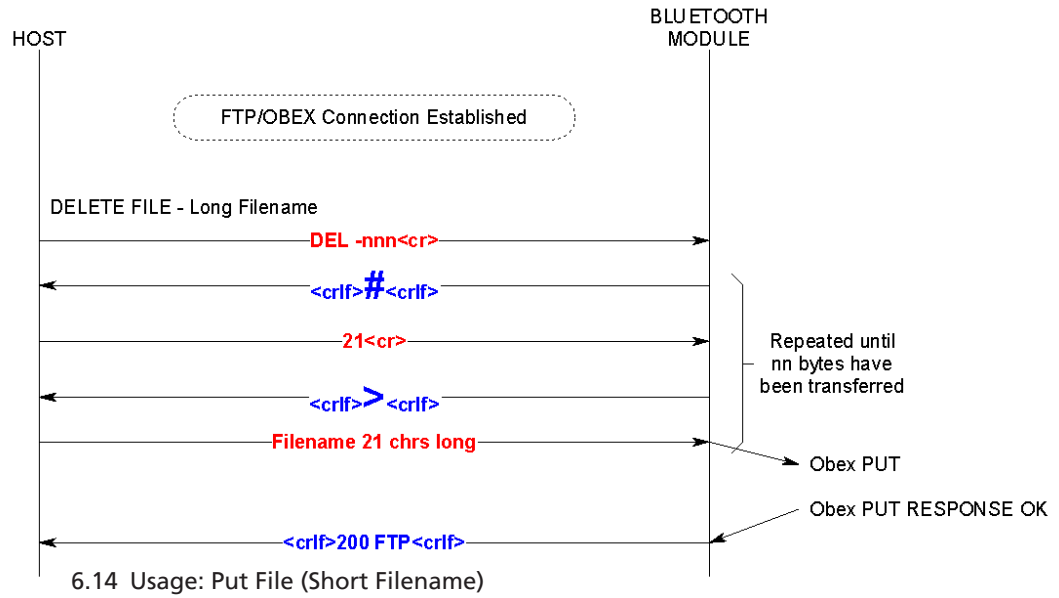
Notes: 'nn' is the size of folder name in bytes. The folder name is supplied in unicode.

6.12 Usage: Delete File (Short Filename)

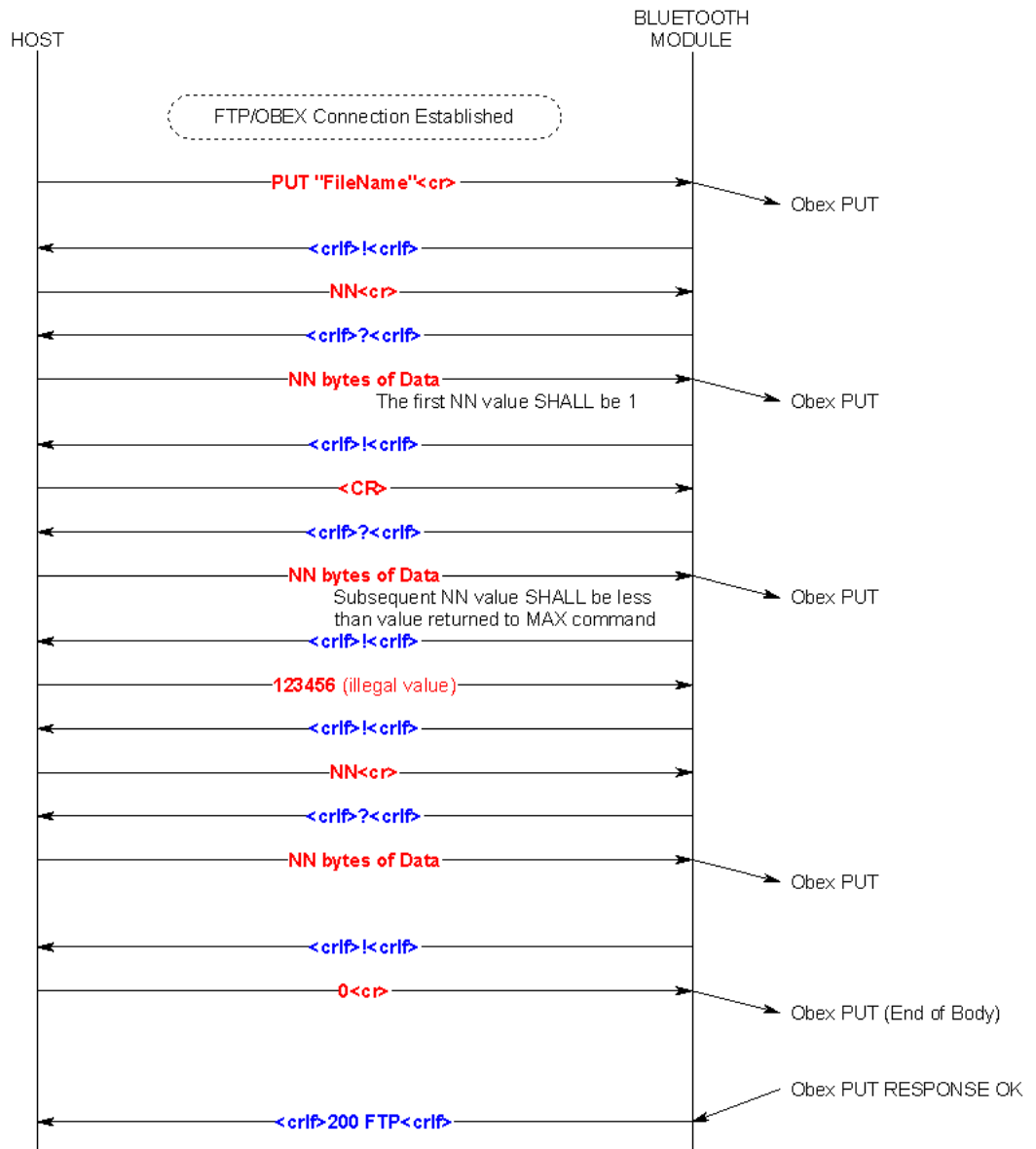


AT COMMAND SET REFERENCE

6.13 Usage: Delete File (Long Filename - UNICODE)



6.14 Usage: Put File (Short Filename)

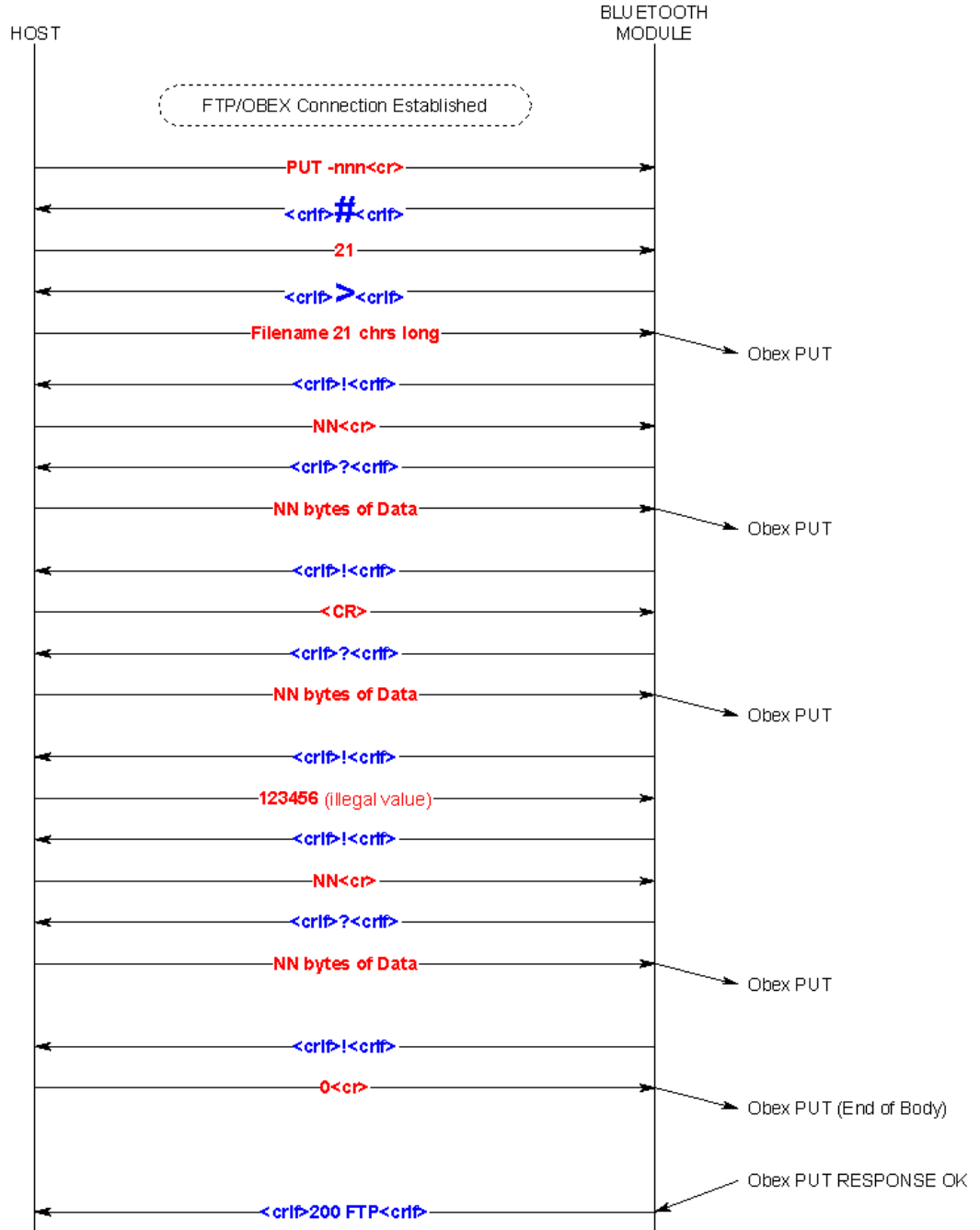


AT COMMAND SET REFERENCE

Note:

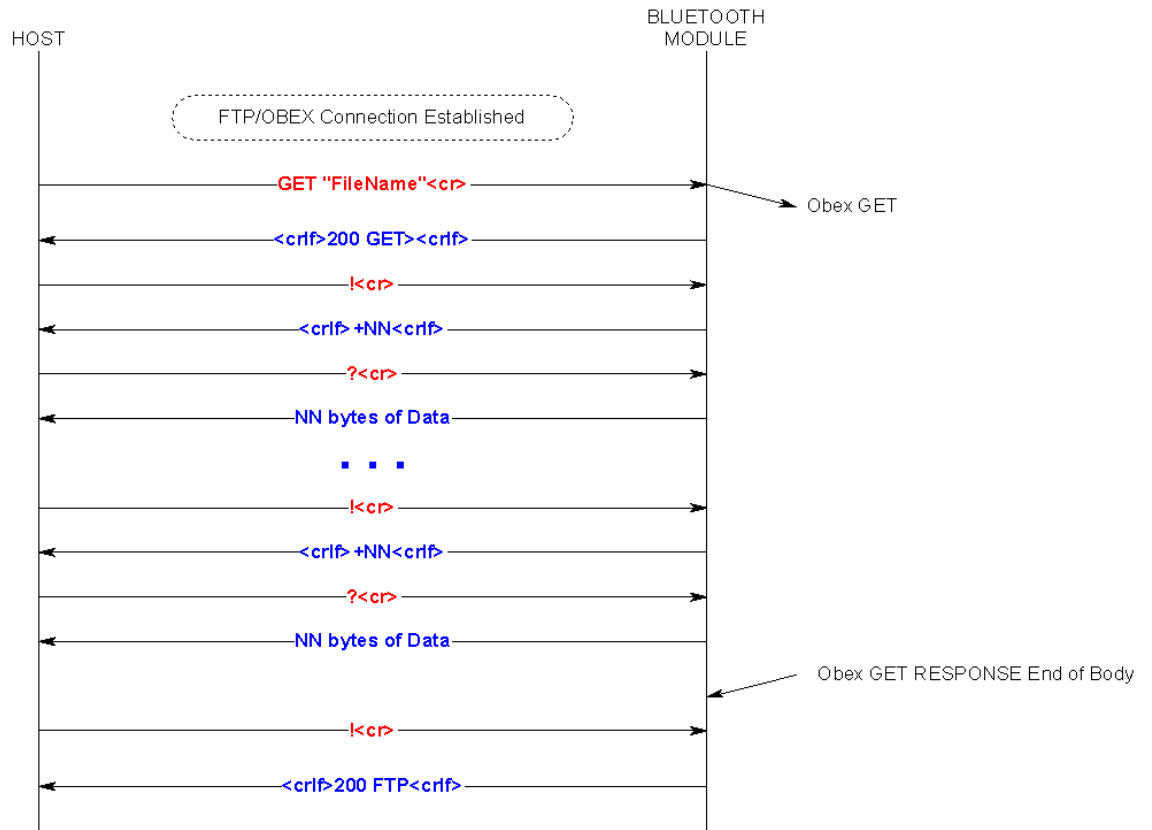
- The first NN from the host shall specify a value of 1.
- Subsequent NN values shall be less than the value returned to command MAX

6.15 Usage: Put File (Long Filename - UNICODE)



AT COMMAND SET REFERENCE

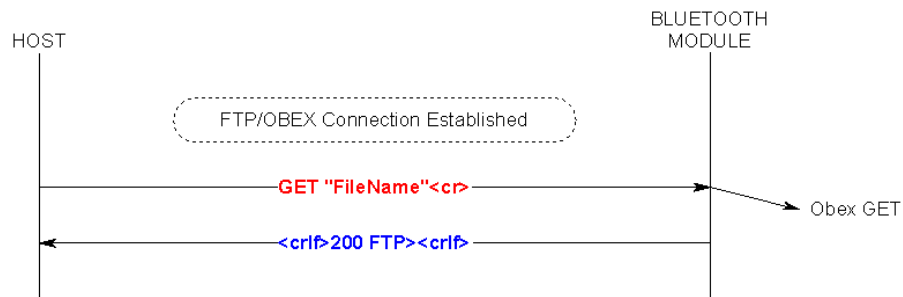
6.16 Usage: Get File (Short Filename)



Notes:

- After each ! command, if a +NN response is not received after 2 seconds, the host can repeat that command.
- The response to ! is "+NN" instead of just "NN" to make easier for the host to predict the command, since on completion the standard response is "200 FTP" which also happens to start with a number. The '+' shall be early warning to the host that the procedure is not complete.

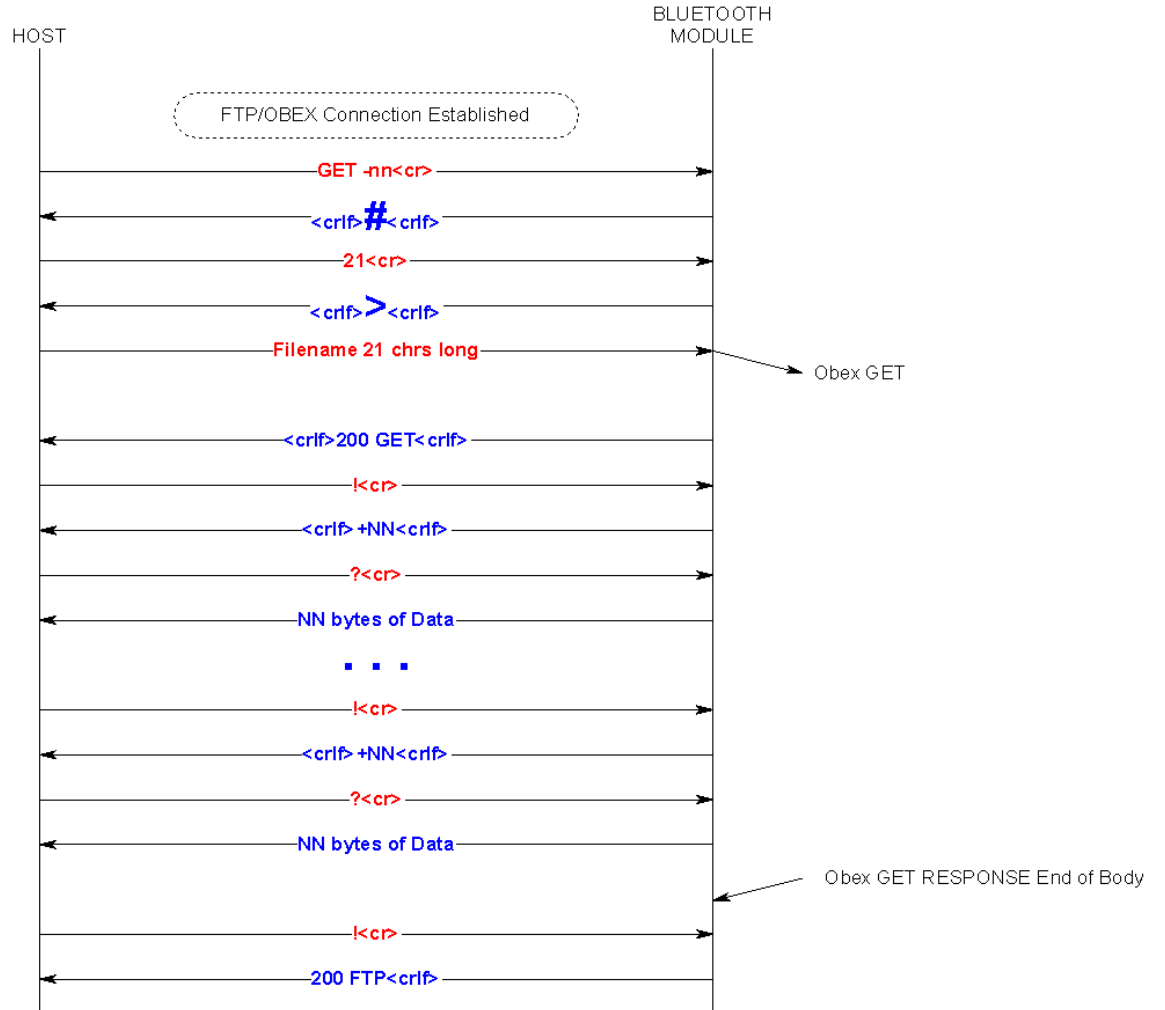
6.17 Usage: Get File (Empty file in server)



Notes: If the file size is 0, then the host shall receive "200 FTP" instead of "200 GET". The latter is invitation to the host that data needs to be marshalled across.

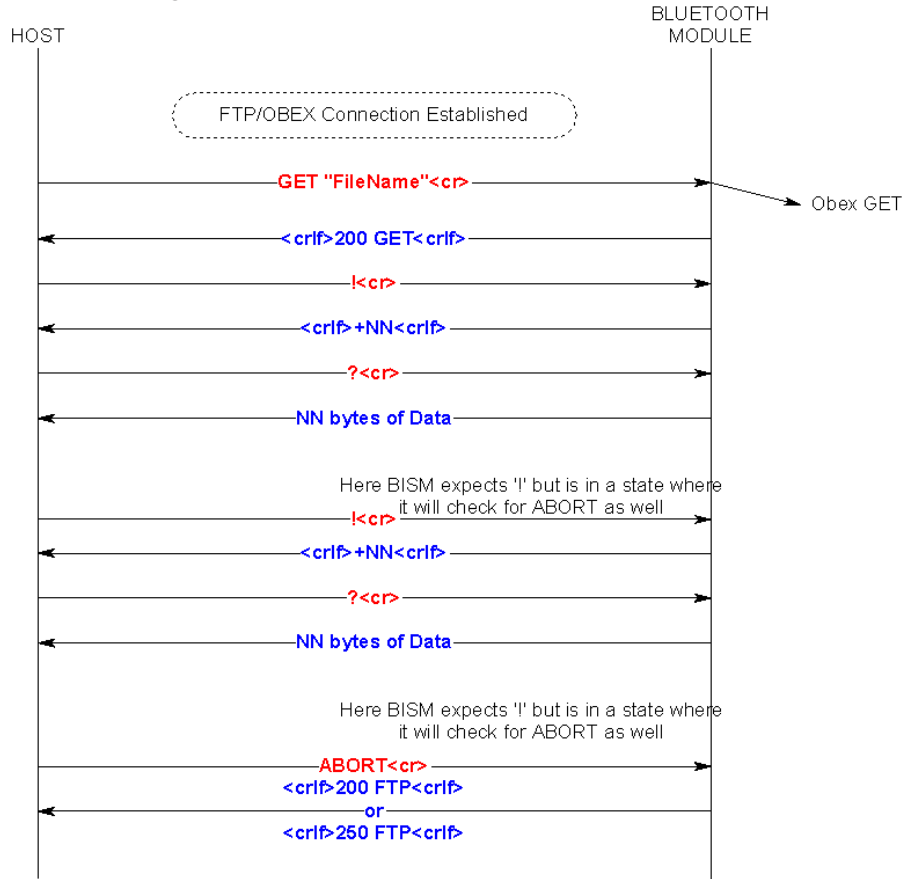
AT COMMAND SET REFERENCE

6.18 Usage: Get File (Long Filename - UNICODE)



AT COMMAND SET REFERENCE

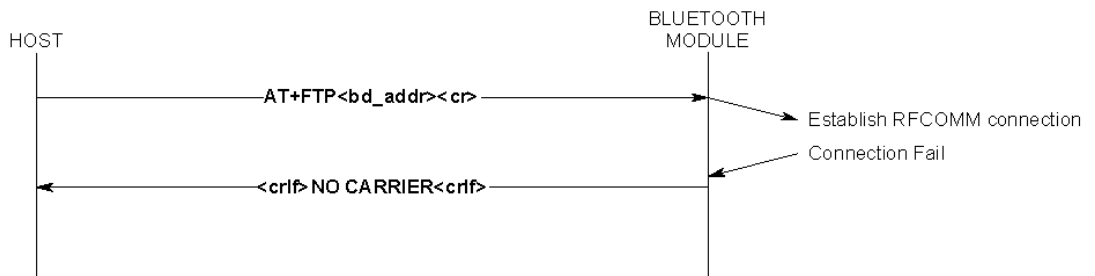
6.19 Usage: Get File - ABORT



Notes

- If "200 FTP" is received after submitting an ABORT command then it implies that the entire file was transferred before the abort had been received.

6.20 Usage: Unsuccessful FTP connection

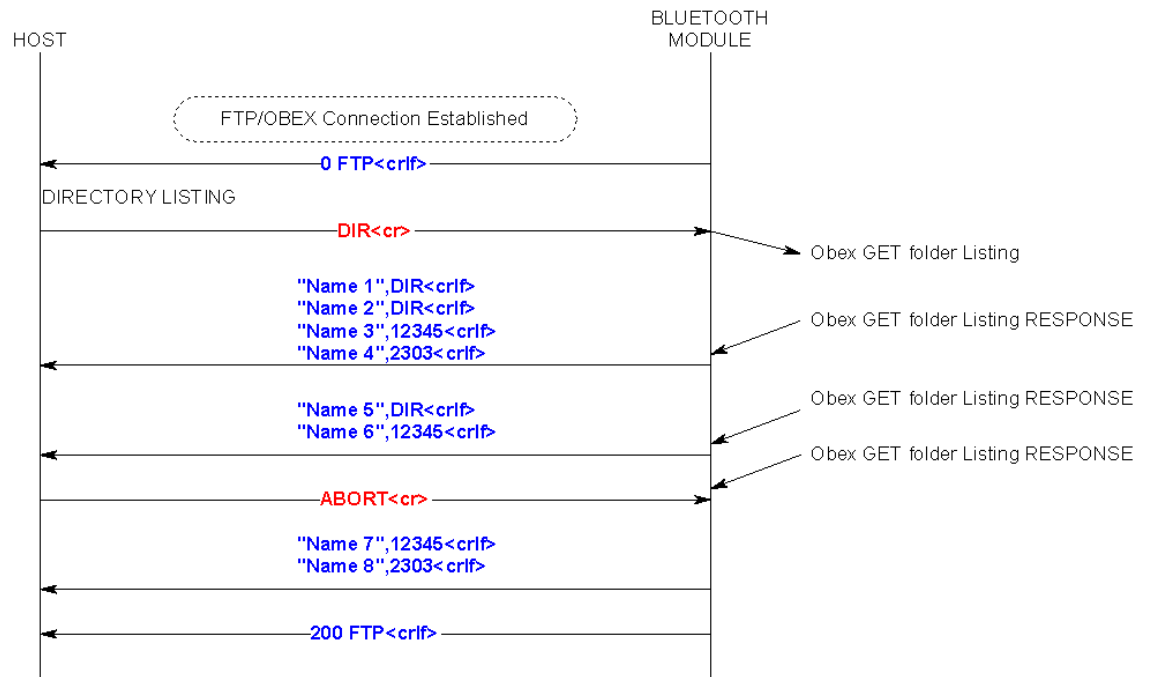


Notes: Reason for connection failure could be:

- Device is not in range,
- Device is not connectable,
- Device does not support FTP server profile.

AT COMMAND SET REFERENCE

6.21 Usage: ABORT a DIR request

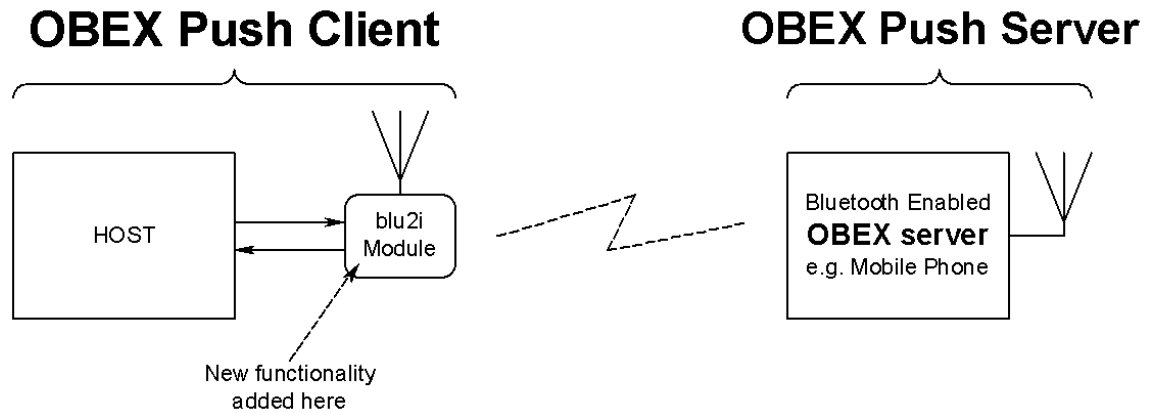


Notes: The host may get more file/folder names after submitting an ABORT request because the device could have received a folder data obex packet at the same time but slightly earlier so it may have started processing it.

Hence the host must look out for a "200 FTP<crlf>" to be sure that the DIR operation has terminated. Some ftp servers (like widcomm stack) will return a 500 response code.

**AT COMMAND SET
REFERENCE****OBEX PROFILE COMMANDS**

This section describes the OBEX implementation on BTM430/431 which allows to perform the role of 'Obex Push Client' as illustrated in the diagram below.



The Obex Push profile implementation provides the capability to a host to act as a 'Obex Push client' to a peer device providing an 'obex push server' profile.

An Obex Push client capability implies the ability to send and optionally receive a default file. The Bluetooth Obex Push server profile specification describes the profile as one built on Obex Exchange (OBEX) which is in turn built on SPP.

The Object Push Profile [3] describes the profile as having 3 features as follows:

- | | |
|---------------------------|-----------|
| 1. Object Push | Mandatory |
| 2. Business Card Pull | Optional |
| 3. Business Card Exchange | Optional |

This implementation only offers the Mandatory Object Push feature.

The implementation on BTM430/431 allows a host attached to the module to send and receive files and in addition to manipulate files and folders.

The format used in this document for describing this protocol is a series of message sequence charts with accompanying notes as appropriate, which unambiguously convey how a host and the module shall interact to perform the task.

1. Generic Notes and Guidance

In the message sequence charts the following abbreviations apply:-

- <crlf> shall mean a two character sequence made up of the ascii characters 0x0D (carriage return) and 0x0A (line feed).
- <cr> shall mean a one character sequence made up of the ascii character 0x0D.
- <lf> shall mean a one character sequence made up of the ascii character 0x0A.
- <bd_addr> shall mean a 12 digit string consisting of only hexadecimal digits 0-9,A-F and a-f
- <filename> shall mean a string delimited by the " character. For example, "hello.txt"
- <foldername> shall mean a string delimited by the " character.
- nnn shall be a decimal number with at least one digit.
- The backspace character is not supported.
- All Obex commands are case sensitive.
- Obex Commands shall not exceed 32 characters in total.
- While an Obex session is open, the host shall not deassert the modules UART_CTS line and conversely the host MUST always be ready to accept data.
- When Unicode data is transmitted, it shall be assumed that the most significant byte is transmitted first.
- If an Obex command is expecting a Unicode string as a parameter and the host has an ascii string, the string shall be expanded with a 0 byte in the most significant position.

**AT COMMAND SET
REFERENCE****2. OBEX Push related AT Commands****2.1 AT+OPS<bd_addr>**

This command is used to establish a connection to an Obex Push server profile in a peer device with Bluetooth address <bd_addr>.

2.2 ATSn=m

The following values of n are relevant to OBEX operation: 582. A description of these values is given on page 19.

3. Obex Push related Subcommands

This section describes Obex Push related subcommands that the host can use to control the obex push session.

3.1 PUT <filename> length (Send file)

This obex subcommand is used to send a file to the obex server.

The length of <filename> shall not exceed 24 characters

The length value is inserted into the OBEX length header field.

There is some ambiguity as to how the first obex PUT packet is formed with respect to the 'Body' header. The Obex specification does not prohibit the first 'Body' header to be empty, neither does it say that it must NOT be empty. If the first body is NOT empty when sending a file to a Nokia 6820 phone then it seems to confuse it. Hence Laird Technologies have taken to sending out an empty 'Body' header by default which is also what the Windows PC based Widcomm Bluetooth stack does.

To cater for future devices which NEED the first 'Body' header to be non-empty, a new S Register 582 has been added to allow a host to have control over how the first body header is constructed.

The new S register 582 takes values in the range 0 to 1. The default value is 0 which implies that the first 'Body' header in the PUT obex packet will be empty. A value of 1 forces that 'Body' header to have 1 byte of data – and in this case when the module prompts the host for a length value it shall respond accordingly.

Laird Technologies hope that the default value of 0 will suffice for all occasions, but provide the control to modify the packet as required.

3.2 PUT -nnn length (Send file)

This obex subcommand is used to send a file to the obex push server where the filename is in UNICODE text and the filename is -nnn bytes long.

The length value is inserted into the OBEX length header field.

See comment above with regards to S Reg 582.

3.3 ABORT (Abort current obex command)

This obex subcommand is used to abort a file transfer where appropriate.

To abort a PUT session, please send 0 when the module prompts for a length value.

3.4 QUIT (Terminate the Obex Push session)

This obex subcommand is used to terminate the obex push session and will also result in the Bluetooth connection being terminated.

3.5 MAX (Max outgoing obex packet size)

This obex subcommand is used to get the maximum obex packet size tolerated by server and can be used by the host to optimize the data throughput.

3.6 WHO (Identify current profile)

This obex subcommand is used to identify the current profile. 0 shall mean ObexPush and 1 shall mean FTP.

**AT COMMAND SET
REFERENCE****4. OBEX Push Related Subresponses**

All Obex Push related sub responses sent from the module to the host SHALL be 11 characters long in the format:

```
<cr><lf>nnn AAA<cr><lf>.
```

The characters nnn shall be decimal digits '0' to '9', then there is a space character and finally a 3 character word followed by <cr><lf>.

The <cr><lf> envelope plus the fixed length will hopefully make the parsing task in the host much simpler.

Values for 'nnn' are as specified for HTTP status codes, and reproduced from the OBEX specification as follows:-

OBEX Response Code	HTTP Status Code	Definition
0x00 to 0x0F	None	Reserved
0x10 (0x90)	100	Continue
0x20 (0xA0)	200	OK, Success
0x21 (0xA1)	201	Created
0x22 (0xA2)	202	Accepted
0x23 (0xA3)	203	Non-Authoritative Information
0x24 (0xA4)	204	No Content
0x25 (0xA5)	205	Reset Content
0x26 (0xA6)	206	Partial Content
0x30 (0xB0)	300	Multiple Choices
0x31 (0xB1)	301	Moved Permanently
0x32 (0xB2)	302	Moved temporarily
0x33 (0xB3)	303	See Other
0x34 (0xB4)	304	Not modified
0x35 (0xB5)	305	Use Proxy
0x40 (0xC0)	400	Bad Request - server couldn't understand request
0x41 (0xC1)	401	Unauthorized
0x42 (0xC2)	402	Payment required
0x43 (0xC3)	403	Forbidden - operation is understood but refused
0x44 (0xC4)	404	Not Found
0x45 (0xC5)	405	Method not allowed
0x46 (0xC6)	406	Not Acceptable
0x47 (0xC7)	407	Proxy Authentication required
0x48 (0xC8)	408	Request Time Out
0x49 (0xC9)	409	Conflict
0x4A (0xCA)	410	Gone
0x4B (0xCB)	411	Length Required
0x4C (0xCC)	412	Precondition failed
0x4D (0xCD)	413	Requested entity too large
0x4E (0xCE)	414	Request URL too large
0x4F (0xCF)	415	Unsupported media type
0x50 (0xD0)	500	Internal Server Error
0x51 (0xD1)	501	Not Implemented
0x52 (0xD2)	502	Bad Gateway
0x53 (0xD3)	503	Service Unavailable
0x54 (0xD4)	504	Gateway Timeout
0x55 (0xD5)	505	HTTP version not supported
0x60 (0xE0)	- - -	Database Full
0x61 (0xE1)	- - -	Database Locked

AT COMMAND SET REFERENCE

For more details of these values, please refer to the irDA specification which can be freely downloaded from www.irda.org.

In addition, values in the range 050 to 099 and 250 to 299 inclusive are specific to this Laird Technologies application and are defined as per the table below.

Response Code 'nnn'	(Laird Technologies Specific) Definition
050	Syntax Error / Command Unrecognized
051	Server sent unexpected information in obex packet
052	Obex connection fail, because it is unauthorized
053	Memory allocation failure (Please contact Ezurio with details)
055	Unicode File/Folder name length cannot be an odd value
056	Command not recognized
090	An XML parsing error occurred (while processing responded to DIR command)
099	The Bluetooth connection has unexpectedly been dropped. For example, remote out of range etc.
250	GET procedure was aborted

4.1 nnn OBX

This obex response is used to convey the outcome of a subcommand to the host where 'nnn' is a fixed 3 digit decimal number as defined in the irDA specification and map to HTTP status codes.

For example, a value of n=200 implies successful operation, any other value usually conveys an error as described in the irDA specification (except the range 050 to 099 inclusive and 250 to 299 inclusive).

Note: When a Bluetooth OBEX session is established, we will be specifying v1.0 in the header packets by default.

5. OBEX Push Line Multiplexing Commands

When transferring an object, the single serial interface between the host and the module, is used to send and receive data and commands. This means a scheme is required to unambiguously determine when a byte on the line corresponds to a command or data belonging to a file.

The module uses negotiated multiplexing to achieve this, and commands are used to toggle the line between command and data mode.

This scheme is symmetrical and the commands for toggling the state of the line are relevant for both direction. The only difference being that the terminator is <cr> in the host to module direction and <crlf> in the reverse direction.

The commands are described in the following sub sections.

5.1

This command is used to ask the other end how many bytes of a filename/ or object it will send next.

5.2 >

This command is used to inform the other end that it is safe to send the number of bytes belonging to a filename or object as indicated in the most recent # command.

5.3 !

This command is used to ask the module/host how many bytes of data it will send next. If the module/host sends a length value too big to cope with, then it can be rejected by sending the ! command again. This is because accepting a value implies this end should send a ? prompt to trigger the data phase (see next section).

5.4 ?

This command is used to inform the other end that it is safe to send the number of bytes belonging to 'data' phase indicated in the most recent ! command.

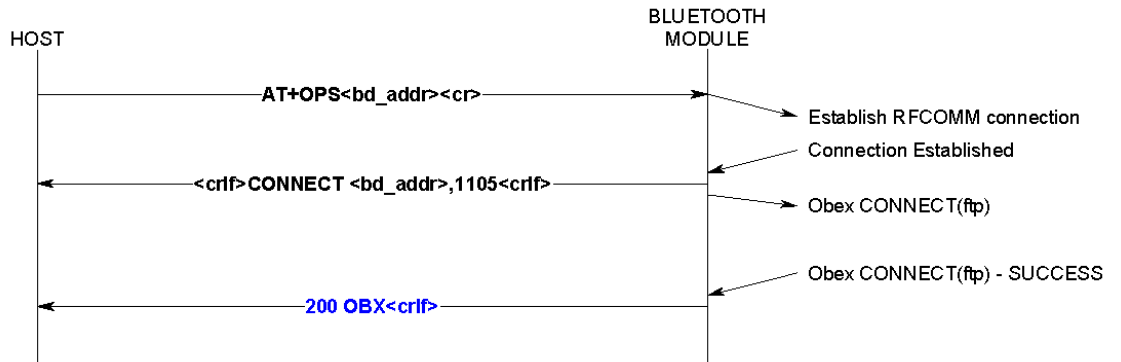
AT COMMAND SET REFERENCE

6. Message Sequence Charts

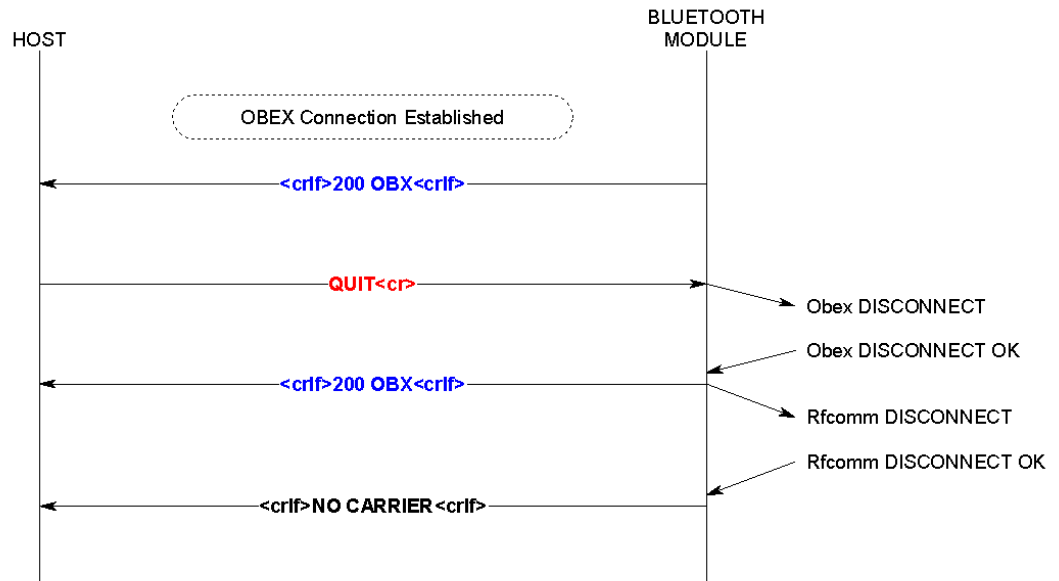
The color scheme uses RED text as commands from a host to the module and BLUE text as responses and prompts from the module to the host. Command/responses shown in BLACK are associated with non-obex related states.

Apart from OBEX connection and disconnection scenarios, to avoid repetition, all message sequence charts shall assume that the module is in an Obex connected state.

6.1 Usage: Make OBEX PUSH connection (No Authentication)

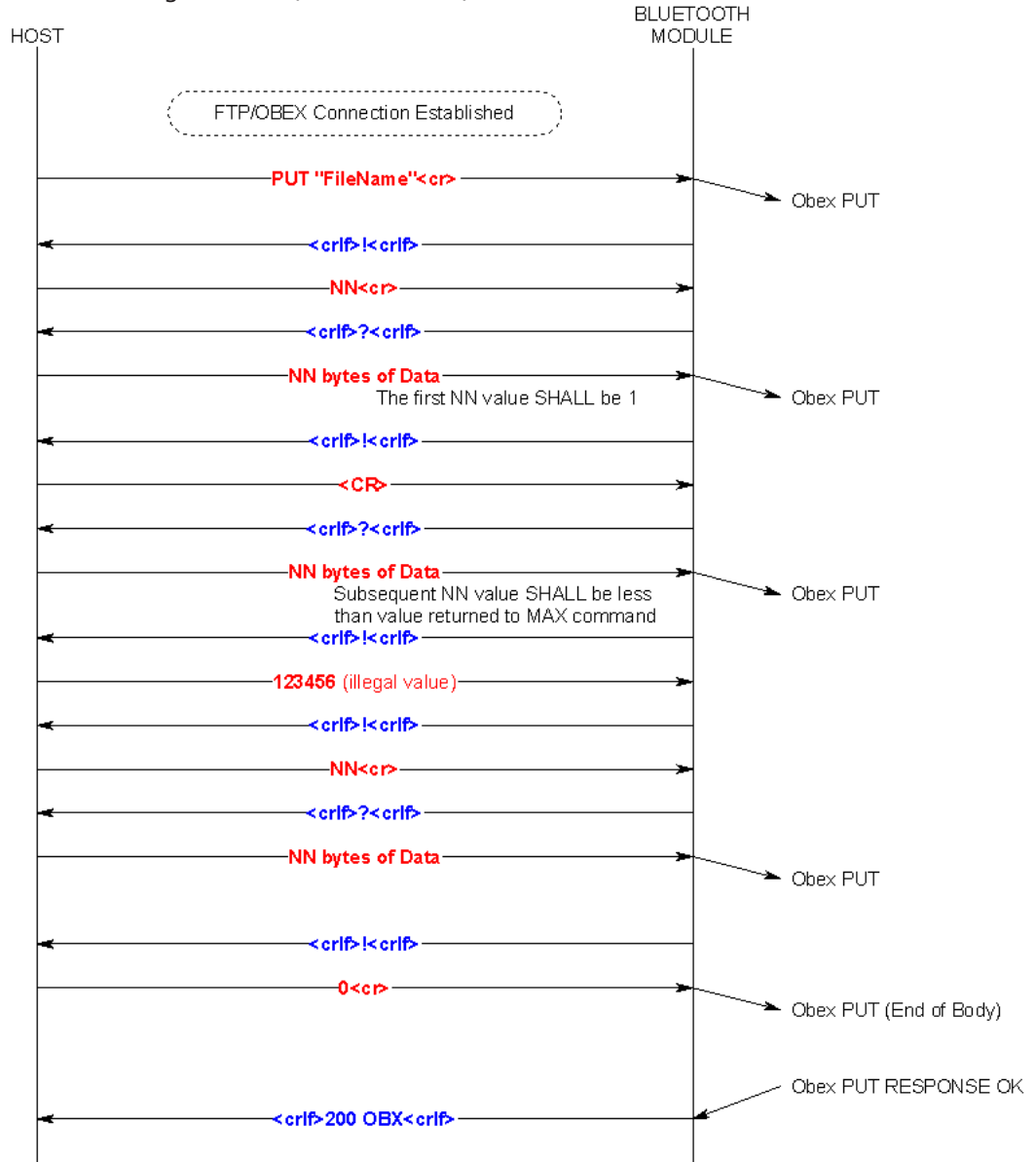


6.2 Usage: OBEX Push Disconnection



AT COMMAND SET REFERENCE

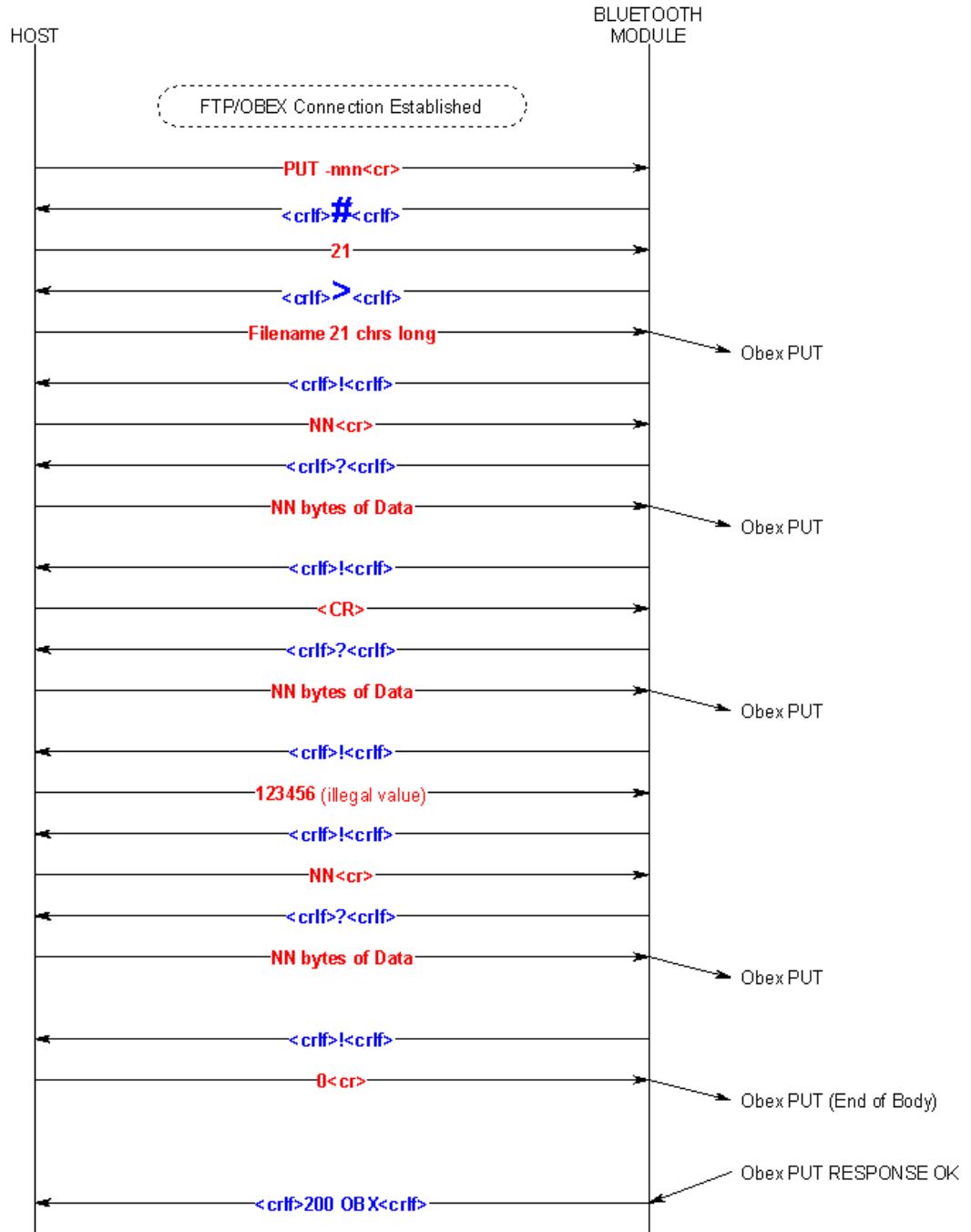
6.3 Usage: Put File (Short Filename)



- Note:
- The first NN from the host shall specify a value of 1.
 - Subsequent NN values shall be less than the value returned to command MAX

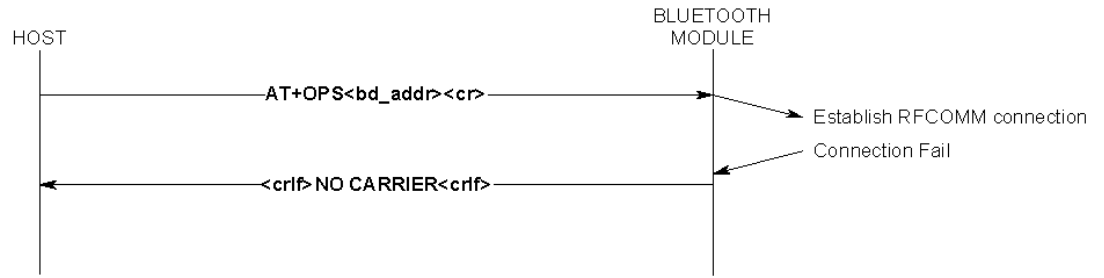
AT COMMAND SET REFERENCE

6.4 Usage: Put File (Long Filename - UNICODE)



**AT COMMAND SET
REFERENCE**

6.5 Usage: Unsuccessful OBEX Push connection



Notes: Reason for connection failure could be:

- Device is not in range,
- Device is not connectable,
- Device does not support Obex Push server profile.

AT COMMAND SET REFERENCE **UNSOLICITED RESPONSES**

The 'AT' Protocol is a command/response type of protocol. This means that the Laird Technologies device will normally only respond to AT commands.

Under special circumstances, unsolicited responses will be sent to the host. They are described in the following subsections.

1 RING

This string is sent to the host when a remote device is initiating a serial port connection. The fully qualified string is in the form RING 012345678901 where 012345678901 is a 12 digit hexadecimal number which corresponds to the remote device's Bluetooth address. This response is sent to the host every 2 seconds until the host either accepts the connection using the ATA command or rejects it using the ATH command.

2 PIN?

This response is sent to the host during a pairing negotiation.

The fully qualified string is PIN? 012345678901 where 012345678901 is the Bluetooth address of the peer device. In response, the host must supply a pin code which is entered using the AT+BTK command.

If the peer address does not supply the address in the message exchange, then the address is specified as 000000000000 – and the pairing will proceed as normal.

3 PAIR n <bd_addr>

This response is sent to the host on termination of a pairing process. If pairing was successful then 'n' = 0, if a timeout occurred then 'n'=1 and for all other unsuccessful outcomes the value will be 2.

The parameter <bd_addr> is the address of the peer device if available.

4 PAIR 0 <bd_addr> MM

This response is sent to the host on termination of a successful pairing process. The optional MM is sent only if S Register 538 is set to 1 to automatically save the link key. The value MM indicates the result of the save operation and a value of 00 implies success, otherwise the value corresponds to an error code.

5 RX<string>

This response is sent to the host when the unit is in online-command mode and S Register 531 is set to 3 and data arrives from a peer.

If the data from the string contains non-visual characters (for example ASCII 0 to 31 and ASCII 128 to 255), then those characters are translated into a 3 character escape sequence starting with '\'. For example the embedded <cr><lf> sequence would be sent as the 6 character string \0D\0A.

If the data contains the character "" then it is sent as \22.

If the data contains the character '\' then it is sent as \5C

AT COMMAND SET REFERENCE

ERROR RESPONSES

All error responses from the Laird Technologies device will be in the form <cr,<lf>ERROR nn<cr,<lf>, where nn will be a number in the range 00 to 99.

Error	Description
01	Register not recognized
02	Value for register is out of range
03	Incoming call NOT pending
04	No call to connect to. This error code has meaning for ATO only
05	Syntax Error
06	Empty String
06	Device Class could not be stored
08	Invalid Device Class Code
09	Invalid Bluetooth Address
10	Could not set Service or Friendly name
11	PS Store Write
12	PS Store Read
13	Not Idle
14	Incorrect Mode
15	Already Scanning
16	Pairing is already in progress
17	Not USED
18	Not USED
19	Not USED
20	Not safe to write to Non-volatile Store - Ongoing Bluetooth Connection
21	Link Key Cache is Empty
22	Link Key Database is Full
23	Malloc returned NULL – Resource Issue
24	Remote Address same as Local Address
25	Connection Setup Fail, DSR Not asserted
26	Unauthenticated licence
27	Max Responses (See S Register 518) too high. Memory allocation error
28	The length of Pin in AT+BTK is too long
29	Invalid Ring count specified for S Register 0 or 100. If S0<>0 and S100<>0 then S0 must be < S100
30	ADC Error
31	Analogue Value cannot be read as it is set for output
32	Analogue Value cannot be written as it is set for input
33	S Register Value is invalid
34	Both L and R modifier cannot be specified in ATD command
35	Invalid Major Device Class – valid value in range 0x00 to 0x1F inclusive
36	Pairing in progress – Command cannot be actioned – try again later
37	Invalid Sniff parameter specified. E.g. new Attempt value greater than MinInterval. Solution is to first increase MinInterval and re-enter the Attempt value.
38	Get Remote Friendly name Failed
39	Failed to change mode to Multipoint
40	7 Bit mode requires parity to be even or odd

FCC REGULATORY STATEMENTS**BTM430 FCC and Industry Canada Statements**

The Final Equipment user manual must show the following statements:

This device complies with part 15 of the FCC Rules. Operation is subject to the following two conditions: (1) This device may not cause harmful interference, and (2) this device must accept any interference received, including interference that may cause undesired operation.

Changes or modifications not expressly approved by the party responsible for compliance could void the user's authority to operate the equipment.

To comply with the FCC RF exposure compliance requirements, this device and its antenna must not be co-located or operating to conjunction with any other antenna or transmitter.

Considerations for OEM integration:

This module has a limited modular approval. Approval with any other antenna configuration or layout other than that approved will necessitate additional radiated emission testing to be performed.

To inherit the modular approval, the antennas for this transmitter must be installed to provide a separation distance of at least 20 cm from all persons and must not be co-located or operating in conjunction with any other antenna or transmitter.

This module was approved with the following antenna:

RF Solutions: ANT-24G-WHJ-SMA 0dBi

Operation of this module with any other antenna will require additional testing to be performed.

Co-location with other radio transmitting devices operating concurrently in the same band will require additional testing and certification.

Designers should note the distinction that the FCC makes regarding portable and mobile devices. Mobile devices are defined as products that are not used closer than 20cm to the human body, whereas portable devices can be used closer that 20cm to the body. In the case where the BTM430 module is used in a portable device, additional SAR testing must be performed on the complete product.

FCC Labelling requirement

If the FCC ID is not visible when the module is installed inside another device, then the outside of the device into which the module is installed must also display a label referring to the enclosed module. This exterior label can use wording such as the following: "Contains Transmitter Module FCC ID: PI4410B" or "Contains FCC ID: PI4410B." Any similar wording that expresses the same meaning may be used.

BTM431 FCC and Industry Canada Statements

The user manual must show the following statements:

This device complies with part 15 of the FCC Rules. Operation is subject to the following two conditions: (1) This device may not cause harmful interference, and (2) this device must accept any interference received, including interference that may cause undesired operation.

Changes or modifications not expressly approved by the party responsible for compliance could void the user's authority to operate the equipment.

To comply with the FCC RF exposure compliance requirements, this device and its antenna must not be co-located or operating to conjunction with any other antenna or transmitter.

Considerations for OEM integration:

To inherit the modular approval, the antennas for this transmitter must be installed to provide a separation distance of at least 20 cm from all persons and must not be co-located or operating in conjunction with any other antenna or transmitter.

Co-location with other radio transmitting devices operating concurrently in the same band will require additional testing and certification.

Designers should note the distinction that the FCC makes regarding portable and mobile devices. Mobile devices are defined as products that are not used closer than 20cm to the human body, whereas portable devices can be used closer that 20cm to the body. In the case where the BTM431 module is used in a portable device, additional SAR testing must be performed on the complete product.

FCC Labelling requirement

If the FCC ID is not visible when the module is installed inside another device, then the outside of the device into which the module is installed must also display a label referring to the enclosed module. This exterior label can use wording such as the following: "Contains Transmitter Module FCC ID: PI4411B" or "Contains FCC ID: PI4411B." Any similar wording that expresses the same meaning may be used.

DECLARATIONS OF COMPLIANCE**EU DECLARATION OF CONFORMITY**

Manufacturer:	Ezurio Ltd
Product:	BTM410 / BTM430
EU Directive:	RTTE 1995/5/EC
Conformity Assessment:	Annex IV

Reference standards used for presumption of conformity:

Article Number:	Requirement	Reference standard(s):
3.1a	Health and Safety	EN 60950-1:2006
3.1b	Protection requirements with respect to electromagnetic compatibility	EN 301 489-1 V1.8.1 EN 301 489-17 V2.1.1 Emissions: EN55022:2006/A1:2000/A2:2006(ClassB) Immunity: EN61000-4-2:1995/A1:1998/A2:2001 EN61000-4-3:2002/A1:2002
3.2	Means of the efficient use of the radio frequency spectrum	EN 300 328 V1.7.1 (2006-10)

Declaration:

We, Ezurio Ltd, declare under our sole responsibility that the essential radio test suites have been carried out and that the above product to which this declaration relates is in conformity with all the applicable essential requirements of Article 3 of the EU Directive 1995/5/EC, when used for its intended purpose.

Place of Issue:	Ezurio Ltd dba Laird Technologies Saturn House, Mercury Park Wooburn Green HP100HH, United Kingdom tel: +44 (0)1628 858 940 fax: +44 (0)1628 528 382
Date of Issue:	October 2009
Name of Authorised Person:	Tim Wheatley, Director of Engineering
Signature:	

DECLARATIONS OF COMPLIANCE**EU DECLARATION OF CONFORMITY**

Manufacturer:	Ezurio Ltd
Product:	BTM411 / BTM431
EU Directive:	RTTE 1995/5/EC
Conformity Assessment:	Annex IV

Reference standards used for presumption of conformity:

Article Number:	Requirement	Reference standard(s):
3.1a	Health and Safety	EN 60950-1:2006
3.1b	Protection requirements with respect to electromagnetic compatibility	EN 301 489-1 V1.8.1 EN 301 489-17 V2.1.1 Emissions: EN55022:2006/A1:2000/A2:2006(ClassB) Immunity: EN61000-4-2:1995/A1:1998/A2:2001 EN61000-4-3:2002/A1:2002
3.2	Means of the efficient use of the radio frequency spectrum	EN 300 328 V1.7.1 (2006-10)

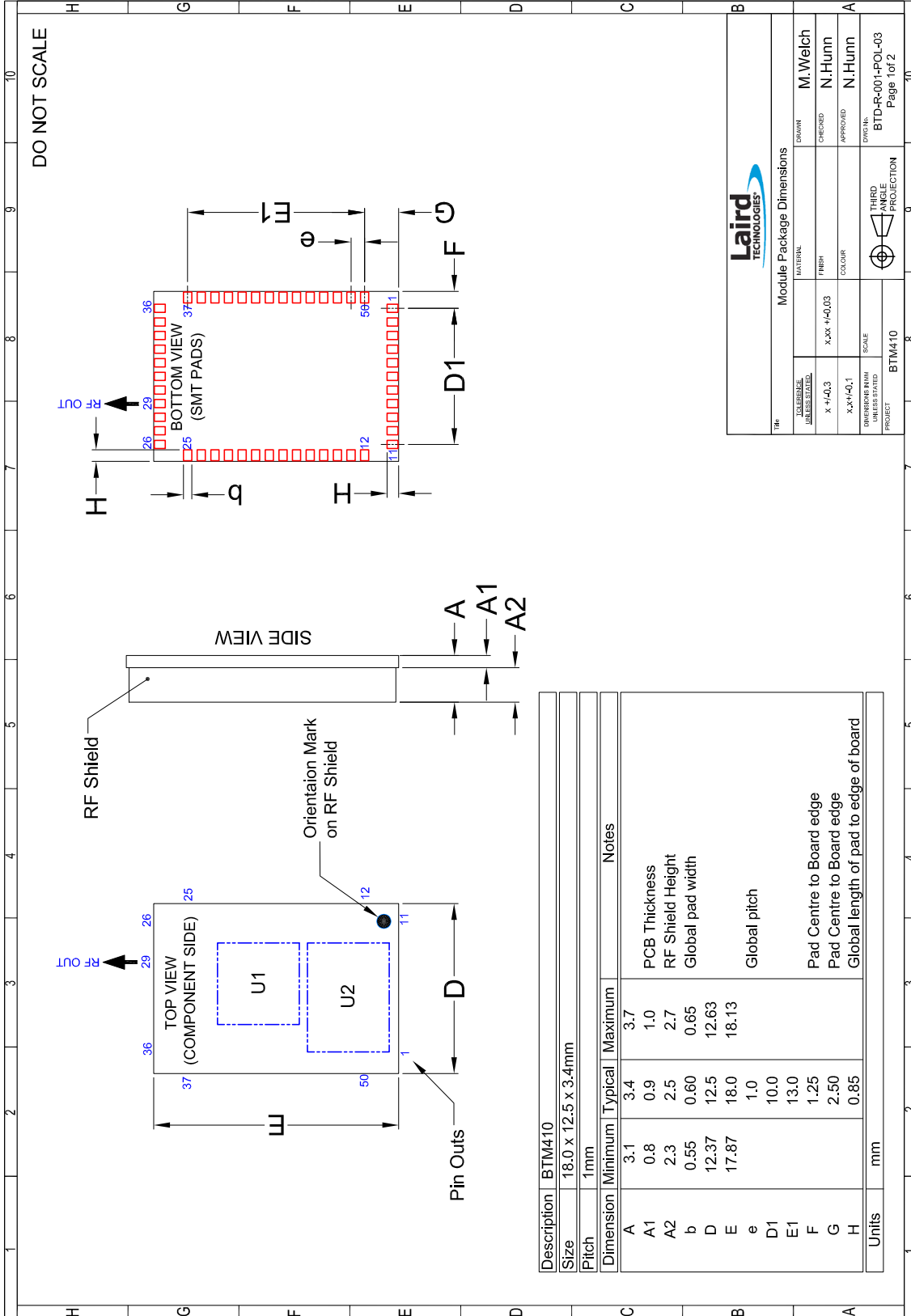
Declaration:

We, Ezurio Ltd, declare under our sole responsibility that the essential radio test suites have been carried out and that the above product to which this declaration relates is in conformity with all the applicable essential requirements of Article 3 of the EU Directive 1995/5/EC, when used for its intended purpose.

Place of Issue:	Ezurio Ltd dba Laird Technologies Saturn House, Mercury Park Wooburn Green HP100HH, United Kingdom tel: +44 (0)1628 858 940 fax: +44 (0)1628 528 382
Date of Issue:	November 2009
Name of Authorised Person:	Tim Wheatley, Director of Engineering
Signature:	

MECHANICAL DRAWINGS

BTM430 Mechanical Details



TOLERANCES UNLESS STATED		DRAWN	
X ±0.3	X.XX ±0.03	MATERIAL	M. Welch
X.X ±0.1		FINISH	N. Hunn
UNLESS STATED UNLESS STATED		COLOR	N. Hunn
SCALE		THIRD ANGLE PROJECTION	
PROJECT		PROJECT	



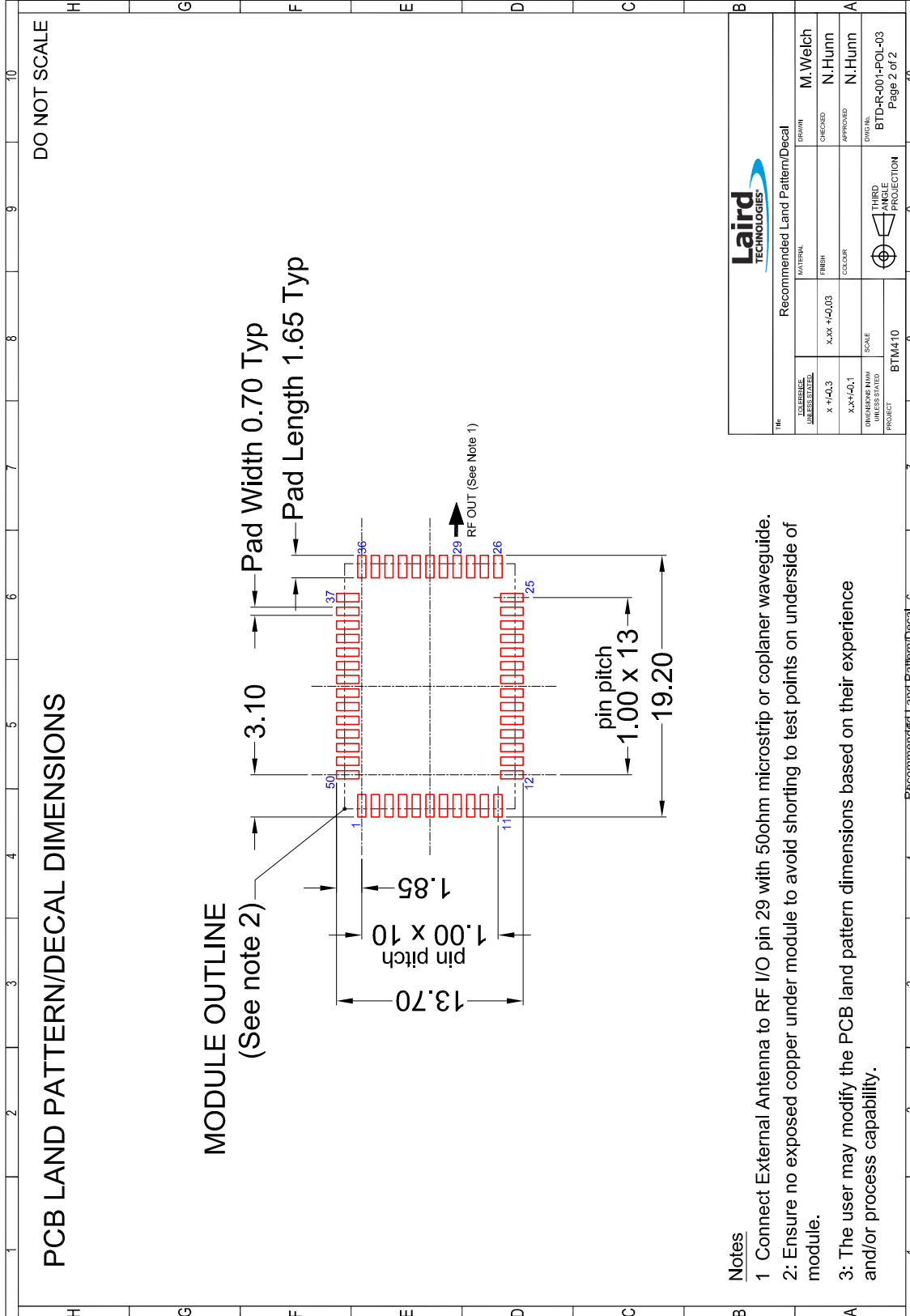
Module Package Dimensions

TOLERANCES UNLESS STATED		DRAWN	
X ±0.3	X.XX ±0.03	MATERIAL	M. Welch
X.X ±0.1		FINISH	N. Hunn
UNLESS STATED UNLESS STATED		COLOR	N. Hunn
SCALE		THIRD ANGLE PROJECTION	
PROJECT		PROJECT	

BTM410 Page 1 of 2

MECHANICAL DRAWINGS

BTM430 Mechanical Details

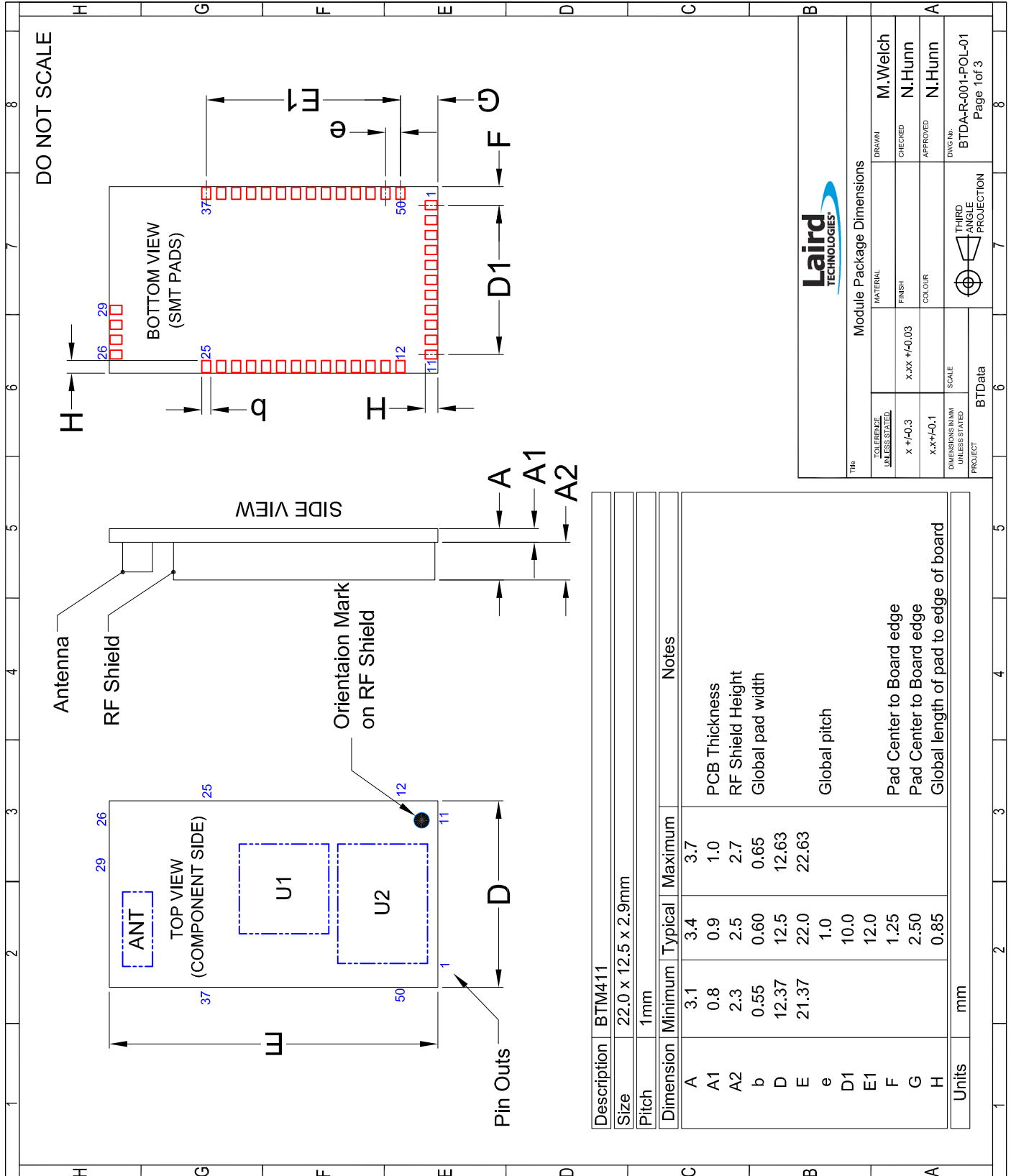


Notes

- 1 Connect External Antenna to RF I/O pin 29 with 50ohm microstrip or coplanar waveguide.
- 2: Ensure no exposed copper under module to avoid shorting to test points on underside of module.
- 3: The user may modify the PCB land pattern dimensions based on their experience and/or process capability.

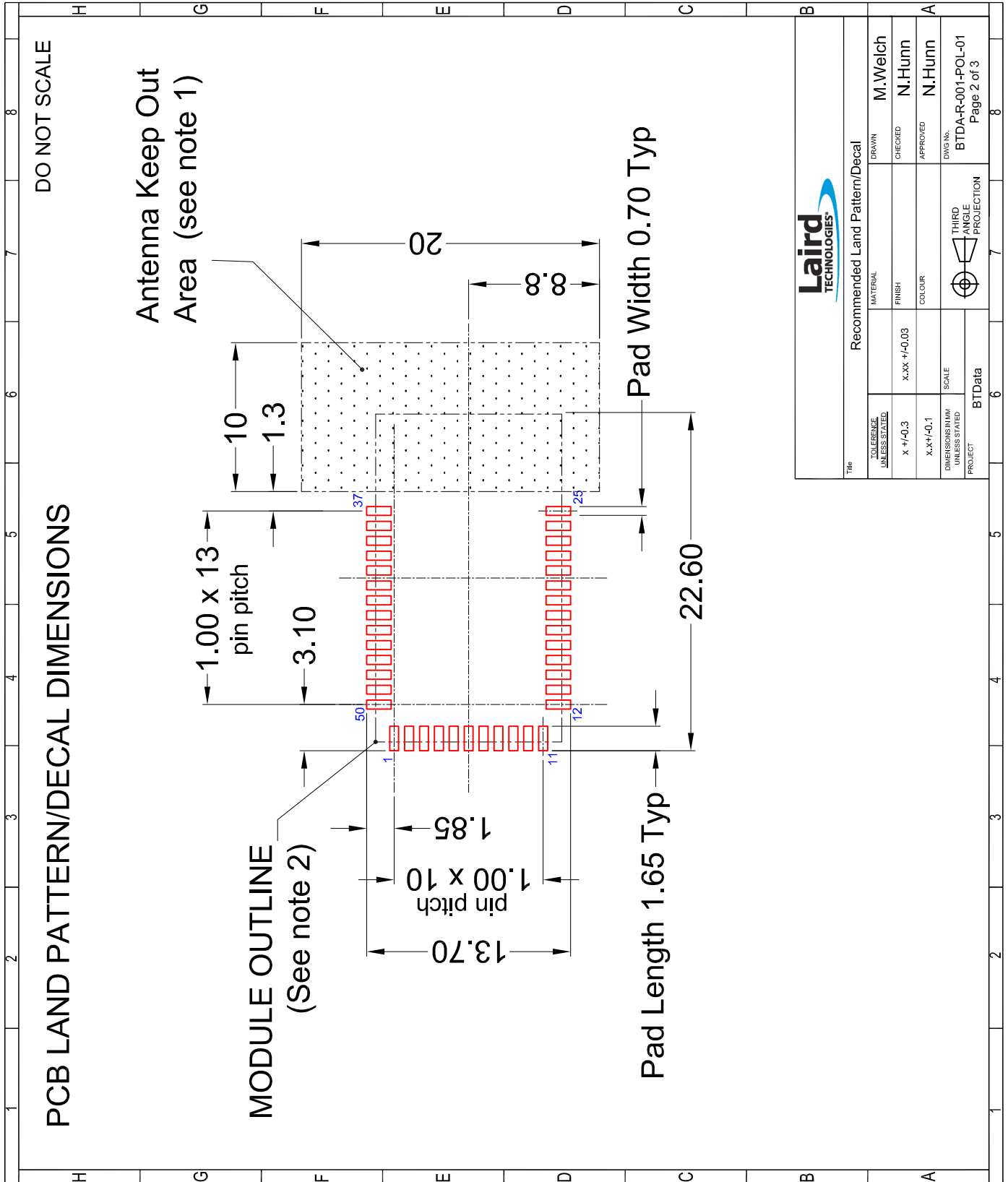
MECHANICAL DRAWINGS

BTM431 Mechanical Details



MECHANICAL DRAWINGS

BTM431 Mechanical Details



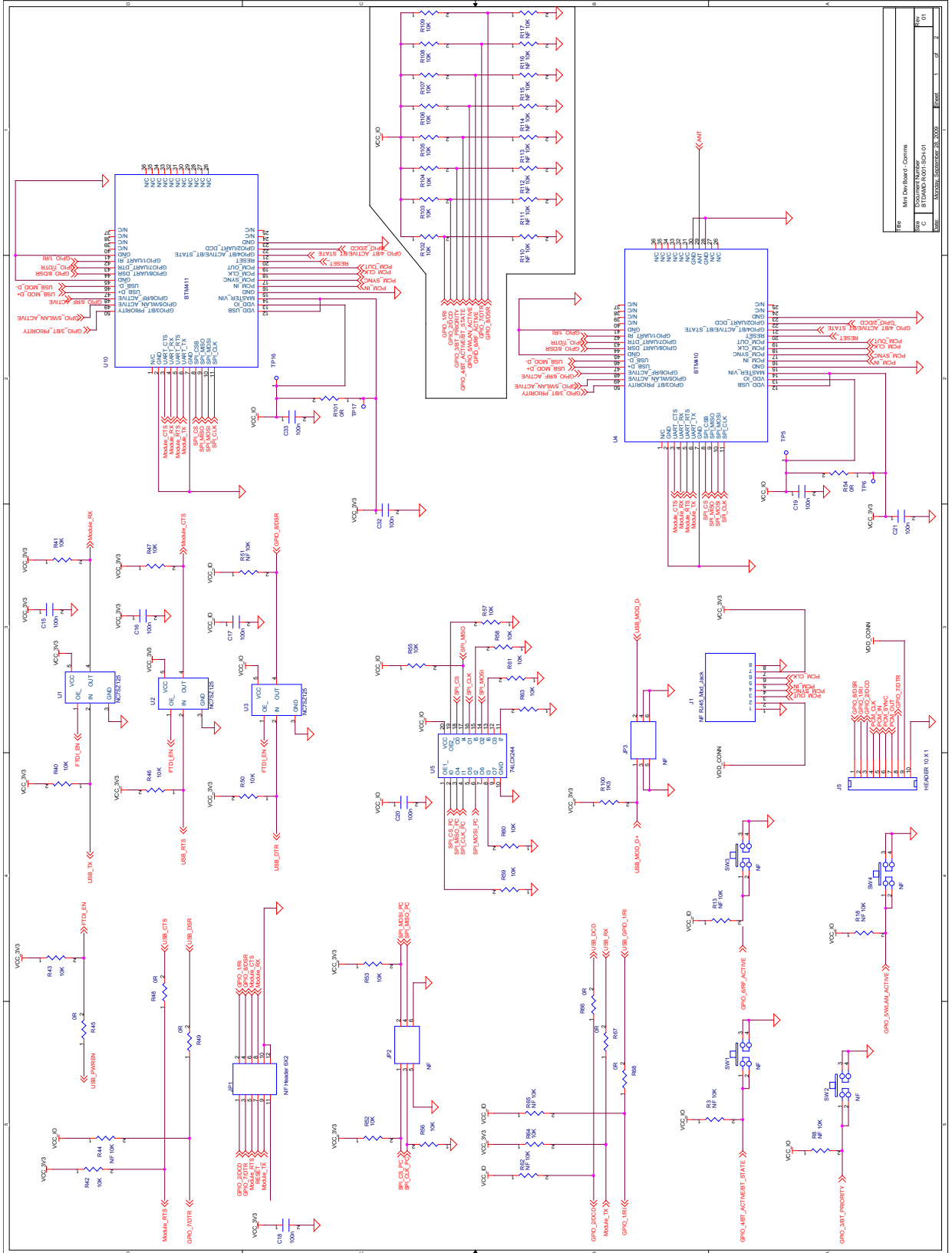
MECHANICAL DRAWINGS

BTM431 Mechanical Details

1	2	3	4	5	6	7	8																																																
H	G	F	E	D	C	B	A																																																
DO NOT SCALE																																																							
<p>APPLICATION NOTES</p> <ol style="list-style-type: none"> 1.) Ensure there is no copper in the antenna keep out area on any layers of the host p.c. board. Also keep all mounting hardware or any metal clear of this area to prevent affecting proper antenna radiation. 2.) For best antenna performance the module should be placed on the edge of the host p.c. board and preferably in the corner with the antenna facing the corner. 3.) Antenna keep out area definition comes from the module's Developer Kit board which was used for module development and antenna performance evaluation. 4.) Ensure there is no exposed copper under the module on host p.c. board to avoid shorting to the test points on the underside of the module 5.) The user may modify the PCB land pattern dimensions based on their experience and/or process capability. 																																																							
<table border="1"> <tr> <td colspan="8" style="text-align: center;">Title</td> </tr> <tr> <td colspan="2">TOLERANCE UNLESS STATED</td> <td colspan="2">MATERIAL</td> <td colspan="2">DRAWN</td> <td colspan="2">M. Welch</td> </tr> <tr> <td>X ± 0.3</td> <td>X.XX ± 0.03</td> <td colspan="2">FINISH</td> <td colspan="2">CHECKED</td> <td colspan="2">N. Hunn</td> </tr> <tr> <td>X.X ± 0.1</td> <td></td> <td colspan="2">COLOUR</td> <td colspan="2">APPROVED</td> <td colspan="2">N. Hunn</td> </tr> <tr> <td colspan="2">DIMENSIONS (MM) UNLESS STATED</td> <td colspan="2">SCALE</td> <td colspan="2">DWG No.</td> <td colspan="2">BTDA-R-001-POL-01</td> </tr> <tr> <td colspan="2">PROJECT</td> <td colspan="2">BTData</td> <td colspan="2">THIRD ANGLE PROJECTION</td> <td colspan="2">Page 3 of 3</td> </tr> </table>								Title								TOLERANCE UNLESS STATED		MATERIAL		DRAWN		M. Welch		X ± 0.3	X.XX ± 0.03	FINISH		CHECKED		N. Hunn		X.X ± 0.1		COLOUR		APPROVED		N. Hunn		DIMENSIONS (MM) UNLESS STATED		SCALE		DWG No.		BTDA-R-001-POL-01		PROJECT		BTData		THIRD ANGLE PROJECTION		Page 3 of 3	
Title																																																							
TOLERANCE UNLESS STATED		MATERIAL		DRAWN		M. Welch																																																	
X ± 0.3	X.XX ± 0.03	FINISH		CHECKED		N. Hunn																																																	
X.X ± 0.1		COLOUR		APPROVED		N. Hunn																																																	
DIMENSIONS (MM) UNLESS STATED		SCALE		DWG No.		BTDA-R-001-POL-01																																																	
PROJECT		BTData		THIRD ANGLE PROJECTION		Page 3 of 3																																																	
1	2	3	4	5	6	7	8																																																
H	G	F	E	D	C	B	A																																																

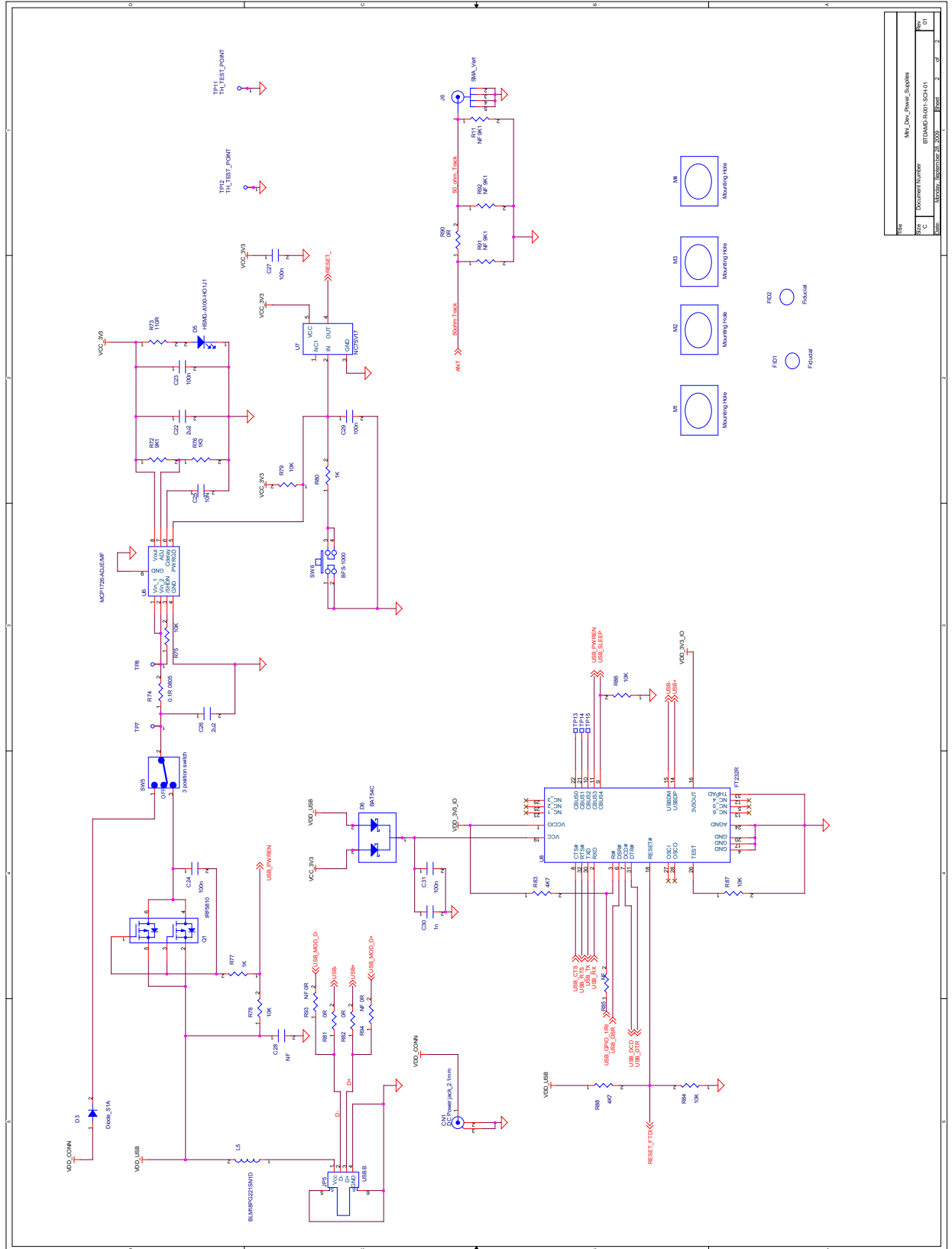
**MECHANICAL
DRAWINGS**

Development Kit Schematic



**MECHANICAL
DRAWINGS**

Development Kit Schematic



File	Mkt_Development_Supplier
Size	1040KB (1001-1001-01)
Doc	Document Number
Rev	1.01
Date	Monday, September 28, 2020
Page	7 of 7

BTM430/431

Bluetooth® AT Data Module

ORDERING INFORMATION

ORDERING INFORMATION

PART NUMBER	DESCRIPTION
BTM430	Bluetooth AT Data Module (external antenna)
BTM431	Bluetooth AT Data Module (with integrated antenna)
DVK – BTM430	Development board with BTM430 module soldered in place
DVK – BTM431	Development board with BTM431 module soldered in place

GENERAL COMMENTS

This is a preliminary datasheet. Please check with Laird Technologies for the latest information before commencing a design. If in doubt, ask.

Refer to the schematic BTDMD-R-001.pdf for the Development Kit on the following two pages for examples of typical pin connections. A pdf of the schematic can be downloaded from the product web page.

global solutions: local support™

USA: +1.800.492.2320

Europe: +44.1628.858.940

Asia: +852.2268.6567

wirelessinfo@lairdtech.com

www.lairdtech.com/wireless



Innovative **Technology** for a **Connected** World

Laird Technologies is the world leader in the design and manufacture of customized, performance-critical products for wireless and other advanced electronics applications.

Laird Technologies partners with its customers to find solutions for applications in various industries such as:

Network Equipment

Telecommunications

Data Communications

Automotive Electronics

Computers

Aerospace

Military

Medical Equipment

Consumer Electronics

Laird Technologies offers its customers unique product solutions, dedication to research and development, as well as a seamless network of manufacturing and customer support facilities across the globe.

LWS-UM-BTM430-431 rev3 0310

Copyright © 2010 Laird Technologies, Inc. All rights reserved.

The information contained in this manual and the accompanying software programs are copyrighted and all rights are reserved by Laird Technologies, Inc. Laird Technologies, Inc. reserves the right to make periodic modifications of this product without obligation to notify any person or entity of such revision. Copying, duplicating, selling, or otherwise distributing any part of this product or accompanying documentation/software without the prior consent of an authorized representative of Laird Technologies, Inc. is strictly prohibited.

All brands and product names in this publication are registered trademarks or trademarks of their respective holders.

This material is preliminary

Information furnished by Laird Technologies in this specification is believed to be accurate. Devices sold by Laird Technologies are covered by the warranty and patent indemnification provisions appearing in its Terms of Sale only. Laird Technologies makes no warranty, express, statutory, and implied or by description, regarding the information set forth herein. Laird Technologies reserves the right to change specifications at any time and without notice. Laird Technologies' products are intended for use in normal commercial and industrial applications. Applications requiring unusual environmental requirements such as military, medical life-support or life-sustaining equipment are specifically not recommended without additional testing for such application.

Limited Warranty, Disclaimer, Limitation of Liability

For a period of one (1) year from the date of purchase by the OEM customer, Laird Technologies warrants the OEM transceiver against defects in materials and workmanship. Laird Technologies will not honor this warranty (and this warranty will be automatically void) if there has been any (1) tampering, signs of tampering; (2) repair or attempt to repair by anyone other than an Laird Technologies authorized technician. This warranty does not cover and Laird Technologies will not be liable for, any damage or failure caused by misuse, abuse, acts of God, accidents, electrical irregularity, or other causes beyond Laird Technologies' control, or claim by other than the original purchaser. In no event shall Laird Technologies be responsible or liable for any damages arising: From the use of product; From the loss of use, revenue or profit of the product; or As a result of any event, circumstance, action, or abuse beyond the control of Laird Technologies, whether such damages be direct, indirect, consequential, special or otherwise and whether such damages are incurred by the person to whom this warranty extends or third party. If, after inspection, Laird Technologies' determines that there is a defect, Laird Technologies will repair or replace the OEM transceiver at their discretion. If the product is replaced, it may be a new or refurbished product.



Стандарт Электрон Связь

Мы молодая и активно развивающаяся компания в области поставок электронных компонентов. Мы поставляем электронные компоненты отечественного и импортного производства напрямую от производителей и с крупнейших складов мира.

Благодаря сотрудничеству с мировыми поставщиками мы осуществляем комплексные и плановые поставки широчайшего спектра электронных компонентов.

Собственная эффективная логистика и склад в обеспечивает надежную поставку продукции в точно указанные сроки по всей России.

Мы осуществляем техническую поддержку нашим клиентам и предпродажную проверку качества продукции. На все поставляемые продукты мы предоставляем гарантию .

Осуществляем поставки продукции под контролем ВП МО РФ на предприятия военно-промышленного комплекса России , а также работаем в рамках 275 ФЗ с открытием отдельных счетов в уполномоченном банке. Система менеджмента качества компании соответствует требованиям ГОСТ ISO 9001.

Минимальные сроки поставки, гибкие цены, неограниченный ассортимент и индивидуальный подход к клиентам являются основой для выстраивания долгосрочного и эффективного сотрудничества с предприятиями радиоэлектронной промышленности, предприятиями ВПК и научно-исследовательскими институтами России.

С нами вы становитесь еще успешнее!

Наши контакты:

Телефон: +7 812 627 14 35

Электронная почта: sales@st-electron.ru

Адрес: 198099, Санкт-Петербург,
Промышленная ул, дом № 19, литера Н,
помещение 100-Н Офис 331