

GE Sensing

Features

- Solid state, high reliability
- High sensitivity, 200 mV typical FSO with 1.0 mA excitation
- 316 L stainless steel, IsoSensor design
- Linearity 0.1% FSO typical
- Three standard ranges: 0 psi to 500 psi to 0 psi to 5,000 psi (0 bar to 34 bar to 0 bar to 345 bar) available, sealed gage or absolute
- Standard configurations include:
 - 1/2–20 UNF threaded male port with 1.0 in (25.40 mm) flange
 - 0.59 in (15 mm) diameter x 0.87 in (22 mm) long cylinder with o-ring seals
 - 1/4–18 NPT male port with 7/8 in flange
 - 1/8–27 NPT male port with 7/8 in flange

- Thermal accuracy FSO 0.2% typical
- Custom Configurations and Other Pressure Ranges can be accommodated

Applications

- Process control systems
- Hydraulic systems and valves
- Automobiles and trucks
- Biomedical instruments
- Refrigeration and HVAC controls
- Appliances and consumer electronics
- Ship and marine systems
- Aircraft and avionic systems

NPI-15 Series

NovaSensor Current Driven, Media Isolated, High Pressure Sensors

NPI-15 Series is a NovaSensor product. NovaSensor has joined other GE high-technology sensing businesses under a new name—GE Industrial, Sensing.



NPI-15 Series Specifications

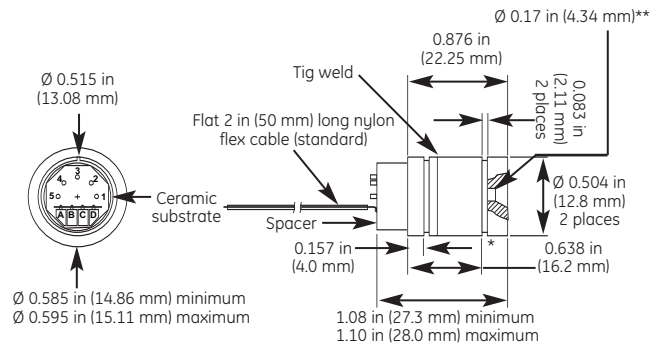
Description

The NovaSensor NPI-15 Series incorporates state-of-the-art IsoSensor technology, which gives the OEM user the best in price and performance. They are designed to operate in hostile environments and yet give the outstanding sensitivity, linearity, and hysteresis of a silicon sensor. The piezoresistive sensor chip is housed in a fluid-filled cylindrical cavity and isolated from the measured media by a stainless steel diaphragm and body. As with all NovaSensor silicon sensors, the NPI-15 Series employs SenStable® processing technology, providing excellent stability.

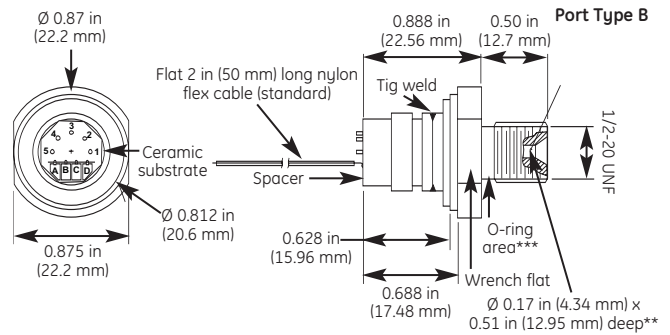
The modular design allows for a variety of pressure port modules which are hermetically welded to the sensor header module. Standard types A, B, H and J are shown to the right.

For compensation of temperature effects, a complete resistor network is supplied on a hybrid ceramic substrate. The IsoSensor design minimizes temperature errors to provide a maximum offset errors of 0.75% FSO over the 32°F to 158°F (0°C to 70°C) compensated range.

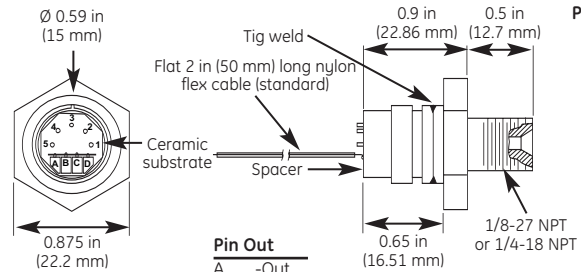
Port Type A



Port Type B



Port Type H and J

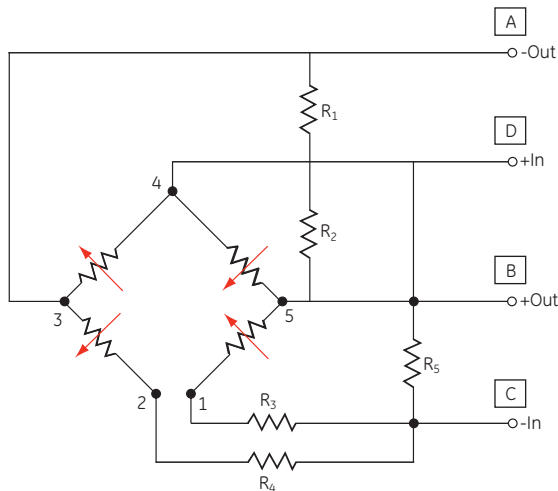


Pin Out

- A -Out
- B +Out
- C -In
- D +In

*Uses 0.47 in x 0.05 in (12 mm x 1.5 mm) ID o-ring for outside seal.
 **Uses 2-003 per ISO 3601/1 o-ring for inside seal.
 ***Uses 2-013 per I.S.O. 360 1/1 o-ring for outside seal.
 ****Not available for 35,000 kPa.

NPI-15 Series dimensions



NPI-15 Series schematic diagram

NPI-15 Series Specifications

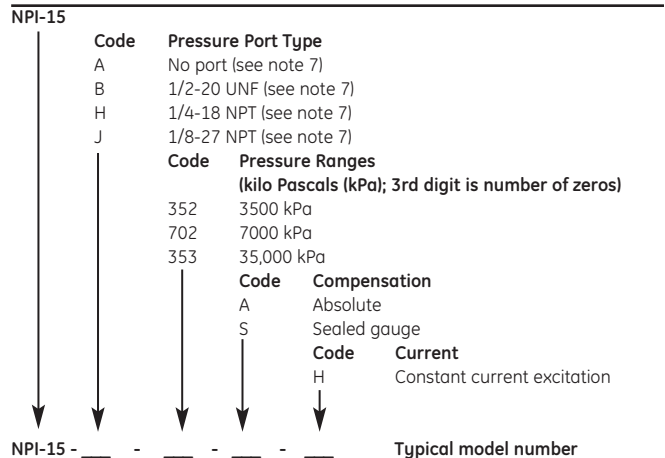
Parameter	Value	Units	Notes	
General				
Pressure Range	3500	kPA	507 psi	
	7000	kPA	1015 psi	
	35,000	kPA	5,076 psi	
Maximum Pressure	2 x		rated pressure	
Electrical @ 77°F (25°C) unless otherwise stated				
Input Excitation	1.0	mA	1.5 mA maximum	
Insulation Resistance	10 ⁽⁸⁾	Ω	@ 50 VDC	
Input Impedance	4,000	Ω	±20%	
Output Impedance	5,000	Ω	±20%	
Bridge Impedance	5,000	Ω	±20%	
Environmental				
Temperature Range				
Operating ⁽⁹⁾	-40 to 257	°F	(-40°C to 125°C)	
Compensated	32 to 158	°F	(0°C to 70°C)	
Vibration	10	gRMS	20 to 2000Hz	
Shock	100	g	11 milliseconds	
Life (Dynamic Pressure Cycle)	10 x 10 ⁽⁶⁾	cycles	500/1000 psi (34.47/68.94 bar)	
	1 x 10 ⁽⁶⁾	cycles	5000 psi (344.73 bar)	
Mechanical⁽¹⁾				
Weight	≈28	g	NPI-15A-XXX	
	≈47	g	NPI-15B-XXX	
Media Compatibility	All corrosive media compatible with 316 stainless steel			
Case and Diaphragm Material	316 L stainless steel			
Recommended O-Ring	Type A: 0.472 in (12 mm) ID x 0.059 in (1.5 mm) wall Type B: 2-013 per ISO 3601/1			
Parameter				
Units				
Minimum Typical Maximum Notes				
Performance	3,500, 7,000 & 35,000 kPa (Note 1 and 8)			
Offset	mV	-2	1	2
Full Scale Output	mV	170	200	230
Linearity	%FSO	-0.25	0.1	0.25
Hysteresis and Repeatability	%FSO	-0.05	0.01	0.05
Thermal Accuracy of Offset	%FSO	-0.75	0.2	0.75
Thermal Accuracy of FSO	%FSO	-0.75	0.2	0.75
Thermal Hysteresis	%FSO	-0.2	0.1	0.2
Short-Term Stability of Offset	μV/V		5	6
Short-Term Stability of FSO	μV/V		5	6
Long-Term Stability of Offset	%FSO		0.1	7
Long-Term Stability of FSO	%FSO		0.1	7

- Performance with offset, thermal accuracy of offset and thermal accuracy of FSO compensation resistors.
- FSO with 1.0 mA input excitation.
- Linearity by best fit straight line.
- 32°F to 158°F (0°C to 70°C) with reference to 77°F (25°C).
- 32°F to 158°F (0°C to 70°C) by design.
- Normalized offset/ bridge voltage—100 hours, typical value, not tested in production.
- One year, typical value, not tested in production.
- All values measured at 77°F (25°C) and at 1.0 mA constant current, unless otherwise noted.
- Reduced performance outside compensation range.

Warranty

GE warrants its products against defects in material and workmanship for 12 months from the date of shipment. Products not subjected to misuse will be repaired or replaced. GE reserves the right to make changes without further notice to any products herein. GE Sensing makes no warranty, representation or guarantee regarding the suitability of its products for any particular application, nor does GE assume any liability arising out of the application or use of any product or circuit and specifically disclaims all liability without limitation consequential or incidental damages. The foregoing warranties are exclusive and in lieu of all other warranties, whether written, oral, implied or statutory. No Implied statutory warranty of merchantability or fitness for particular purpose shall apply.

Ordering Information



GE
Sensing



©2006 GE. All rights reserved.
920-260A

All specifications are subject to change for product improvement without notice.
GE® is a registered trademark of General Electric Co. Other company or product
names mentioned in this document may be trademarks or registered trademarks
of their respective companies, which are not affiliated with GE.

www.gesensing.com



Стандарт Электрон Связь

Мы молодая и активно развивающаяся компания в области поставок электронных компонентов. Мы поставляем электронные компоненты отечественного и импортного производства напрямую от производителей и с крупнейших складов мира.

Благодаря сотрудничеству с мировыми поставщиками мы осуществляем комплексные и плановые поставки широчайшего спектра электронных компонентов.

Собственная эффективная логистика и склад в обеспечивает надежную поставку продукции в точно указанные сроки по всей России.

Мы осуществляем техническую поддержку нашим клиентам и предпродажную проверку качества продукции. На все поставляемые продукты мы предоставляем гарантию .

Осуществляем поставки продукции под контролем ВП МО РФ на предприятия военно-промышленного комплекса России , а также работаем в рамках 275 ФЗ с открытием отдельных счетов в уполномоченном банке. Система менеджмента качества компании соответствует требованиям ГОСТ ISO 9001.

Минимальные сроки поставки, гибкие цены, неограниченный ассортимент и индивидуальный подход к клиентам являются основой для выстраивания долгосрочного и эффективного сотрудничества с предприятиями радиоэлектронной промышленности, предприятиями ВПК и научно-исследовательскими институтами России.

С нами вы становитесь еще успешнее!

Наши контакты:

Телефон: +7 812 627 14 35

Электронная почта: sales@st-electron.ru

Адрес: 198099, Санкт-Петербург,
Промышленная ул, дом № 19, литера Н,
помещение 100-Н Офис 331