

High Power Resistive Products



Resistors

AVX introduces its line of High Power Resistive Products. All products are designed and manufactured at our ISO 9001 Facilities.

ELECTRICAL SPECIFICATIONS

Resistance: 50 and 100 Ω standard (10 Ω - 200 Ω available)

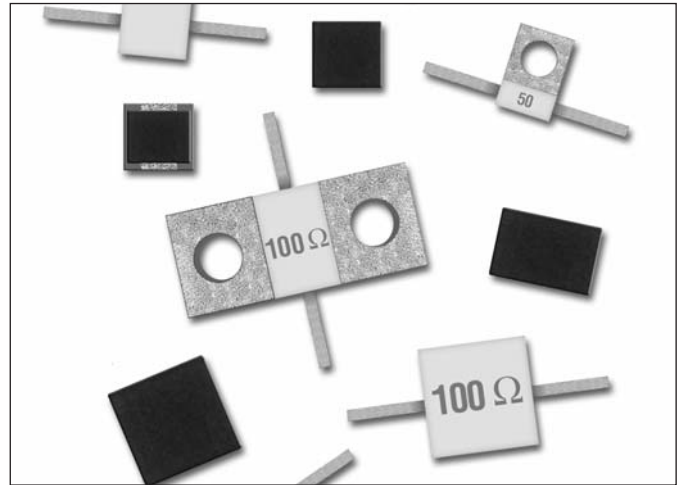
Resistance Tolerance: $\pm 5\%$ standard ($\pm 2\%$ available)

Power: 2 Watts through 250 Watts

Operating Temperature Range: -55°C to $+150^{\circ}\text{C}$

Temperature Coefficient: $< 150 \text{ ppm}/^{\circ}\text{C}$

Low Capacitance



MECHANICAL SPECIFICATIONS

Package: Surface Mount Chips, Chips, Leaded Chips, Flanged

Substrate Material: Aluminum Nitride

Process: Thin Film

Resistive Material: Tantalum

Terminals: Silver

Cover: Alumina

Mounting Flange: 100% Cu, Ni or Ag Plated

Mechanical Tolerance: ± 0.13 (0.005)

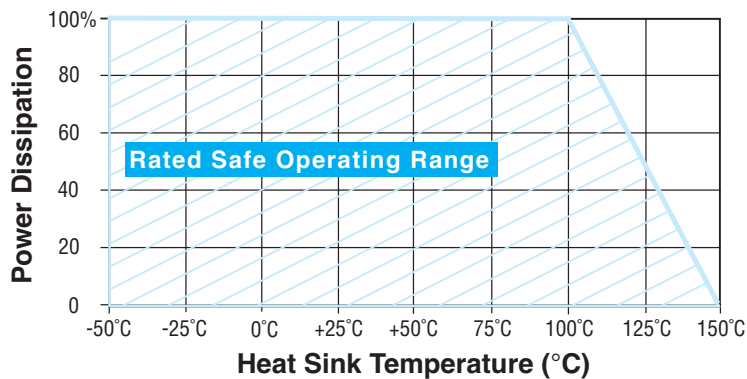
SMT and Chip products, supplied on Tape and Reel

Non-Magnetic (exception RP4 and RP5 Style Surface Mount Resistors)

RoHS Compliant



POWER DERATING



High Power Resistive Products



Resistors

SURFACE MOUNT CHIP RESISTORS – RP4 AND RP5 SERIES

GENERAL SPECIFICATIONS

Resistance: 50 and 100 Ω standard
(contact factory for custom resistance values)

Resistive Tolerance: ±2% standard

Operating Temp Range: -55°C to +150°C

Temperature Coefficient: <150 ppm/°C

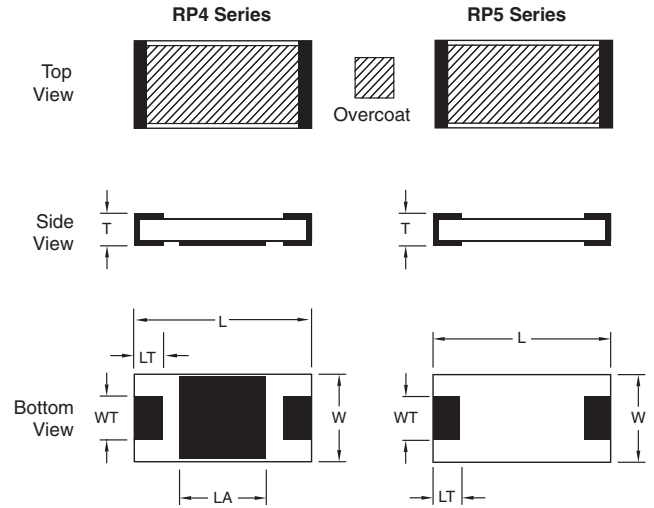
Resistive Elements: Proprietary Thin Film

Substrate Material: Aluminum Nitride

Terminals: Silver over Nickel

RoHS Compliant

Tape and Reel Specifications: See Page 38



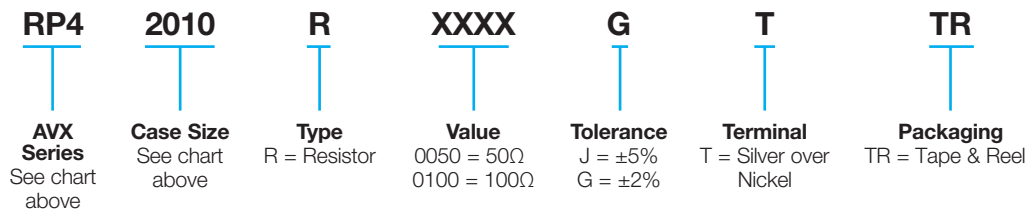
mm (inches)

AVX Part Number*	W ±0.25 (0.010)	L ±0.25 (0.010)	T ±0.13 (0.005)	WT ±0.13 (0.005)	LT ±0.13 (0.005)	LA ±0.13 (0.005)	Capacitance (pF)	Power Max** (Watts)
RP42010RxxxxGTTR	2.54 (0.100)	5.08 (0.200)	1.02 (0.040)	2.29 (0.090)	0.76 (0.030)	2.41 (0.095)	.95 pF	10W
RP42525RxxxxGTTR	6.22 (0.245)	6.22 (0.245)	1.02 (0.040)	3.05 (0.120)	1.02 (0.040)	2.79 (0.110)	1.85 pF	20W
RP43725RxxxxGTTR	6.35 (0.250)	9.53 (0.375)	1.02 (0.040)	3.05 (0.120)	1.27 (0.050)	4.95 (0.195)	3.0 pF	30W
RP43737RxxxxGTTR	9.40 (0.370)	9.40 (0.370)	1.02 (0.040)	9.14 (0.360)	1.27 (0.050)	4.95 (0.195)	3.5 pF	40W
RP52010RxxxxGTTR	2.54 (0.100)	5.08 (0.200)	1.02 (0.040)	2.29 (0.090)	0.76 (0.030)	-	-	4W
RP52525RxxxxGTTR	6.22 (0.245)	6.22 (0.245)	1.02 (0.040)	3.05 (0.120)	1.02 (0.040)	-	-	6W
RP53725RxxxxGTTR	6.35 (0.250)	9.53 (0.375)	1.02 (0.040)	3.05 (0.120)	1.27 (0.050)	-	-	8W
RP53737RxxxxGTTR	9.40 (0.370)	9.40 (0.370)	1.02 (0.040)	9.14 (0.360)	1.27 (0.050)	-	-	10W

* xxxx denotes Ohm value.

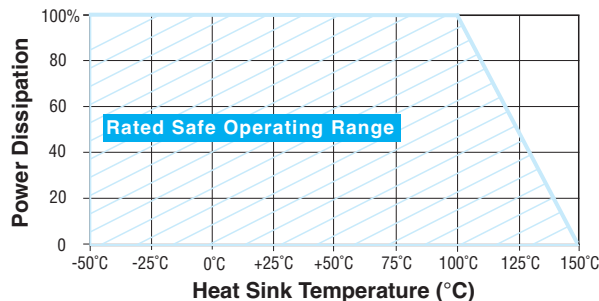
** Test Condition: Chip soldered to a via patch on a 30-mil-thick Rogers RO4350 board; Land surfaces at 100°C; maximum rated power applied.

HOW TO ORDER



Contact factory for custom ratings and sizes.

POWER DERATING



High Power Resistive Products

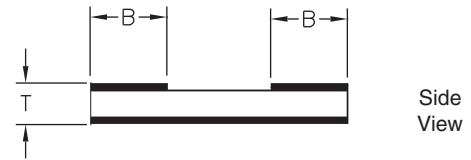
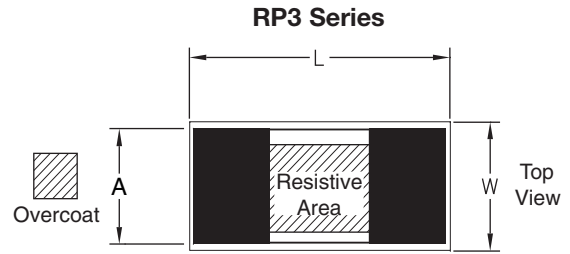


Resistors

CHIP RESISTORS – RP3 SERIES

GENERAL SPECIFICATIONS

- Resistance:** 50 and 100 Ω standard (contact factory for custom resistance values)
- Resistive Tolerance:** $\pm 5\%$ standard (2% available)
- Operating Temp Range:** -55°C to $+150^{\circ}\text{C}$
- Temperature Coefficient:** <150 ppm/ $^{\circ}\text{C}$
- Resistive Elements:** Proprietary Thin Film
- Substrate Material:** Aluminum Nitride
- Terminals:** Silver
- RoHS Compliant**
- Non-Magnetic**
- Tape and Reel Specifications:** See Page 37



mm (inches)

AVX Part Number*	W ± 0.25 (0.010)	L ± 0.25 (0.010)	T ± 0.13 (0.005)	A ± 0.13 (0.005)	B (Typ.)	Capacitance (pF)	Power Max** (Watts)
RP31005RxxxxJTTR	1.27 (0.050)	2.54 (0.100)	0.64 (0.025)	1.14 (0.045)	0.51 (0.020)	.75	5W
RP31206RxxxxJTTR	1.52 (0.060)	3.05 (0.120)	0.64 (0.025)	1.40 (0.055)	0.51 (0.020)	.90	15W
RP32010RxxxxJTTR	2.54 (0.100)	5.08 (0.200)	1.02 (0.040)	2.29 (0.090)	0.51 (0.020)	1.0	30W
RP32525RxxxxJTTR	6.22 (0.245)	6.22 (0.245)	1.02 (0.040)	3.30 (0.130)	0.51 (0.020)	2.0	60W
RP33725RxxxxJTTR	6.35 (0.250)	9.53 (0.375)	1.02 (0.040)	5.03 (0.198)	0.64 (0.025)	4.15	150W
RP33737RxxxxJTTR	9.40 (0.370)	9.40 (0.370)	1.02 (0.040)	8.38 (0.330)	0.64 (0.025)	6.0	250W

* xxxx denotes Ohm value.

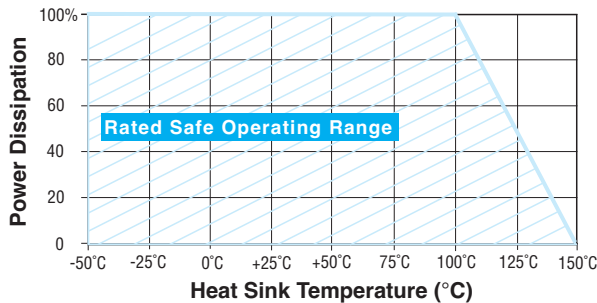
** Test Condition: Chip soldered to a large copper carrier whose surface is at 100°C ; maximum rated power applied.

HOW TO ORDER

RP3	2010	R	XXXX	J	T	TR
AVX Series	Case Size See chart above	Type R = Resistor	Value 0050 = 50 Ω 0100 = 100 Ω	Tolerance J = $\pm 5\%$ G = $\pm 2\%$	Terminal T = Silver	Packaging TR = Tape & Reel

Contact factory for custom ratings and sizes.

POWER DERATING



High Power Resistive Products

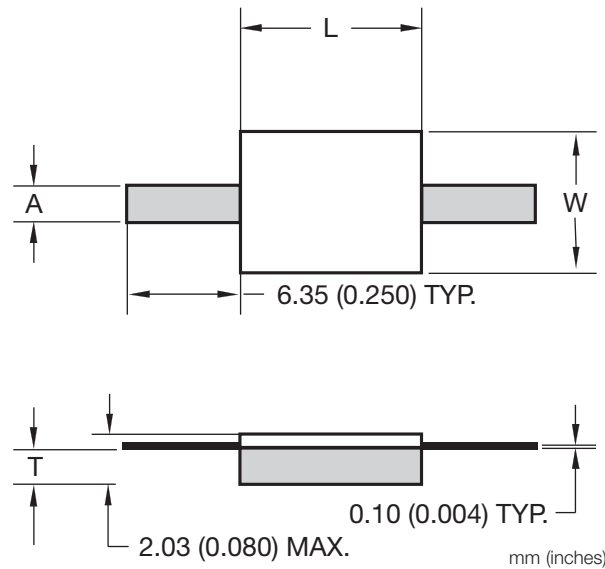


Resistors

LEADED CHIP RESISTORS – RP7 SERIES

GENERAL SPECIFICATIONS

- Resistance:** 50 and 100 Ω standard (contact factory for custom resistance values)
- Resistive Tolerance:** ±5% standard (2% available)
- Operating Temp. Range:** -55°C to +150°C
- Temperature Coefficient:** <150 ppm/°C
- Resistive Elements:** Proprietary Thin Film
- Substrate Material:** Aluminum Nitride
- Lead Terminals:** Silver
- Cover:** Alumina
- RoHS Compliant**
- Non-Magnetic**



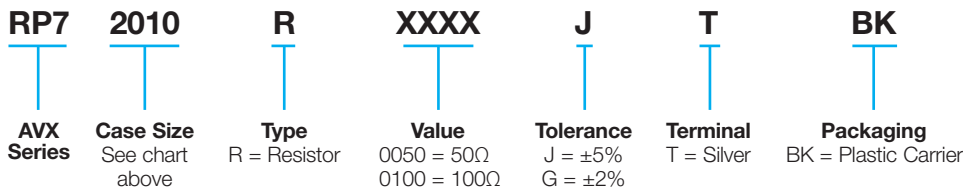
mm (inches)

AVX Part Number*	W ±0.25 (0.010)	L ±0.25 (0.010)	T ±0.13 (0.005)	A	Capacitance (pF)	Power Max** (Watts)
RP72010RxxxxJT BK	2.54 (0.100)	5.08 (0.200)	1.02 (0.040)	1.02 (0.040)	1.0	30W
RP72335RxxxxJT BK	8.89 (0.350)	5.84 (0.230)	1.02 (0.040)	1.02 (0.040)	3.15	50W
RP72525RxxxxJT BK	6.45 (0.245)	6.22 (0.245)	1.02 (0.040)	1.02 (0.040)	2.0	60W
RP73725RxxxxJT BK	6.35 (0.250)	9.53 (0.375)	1.02 (0.040)	1.02 (0.040)	4.15	150W
RP73737RxxxxJT BK	9.40 (0.370)	9.40 (0.370)	1.02 (0.040)	1.02 (0.040)	6.0	250W

* xxxx denotes Ohm value.

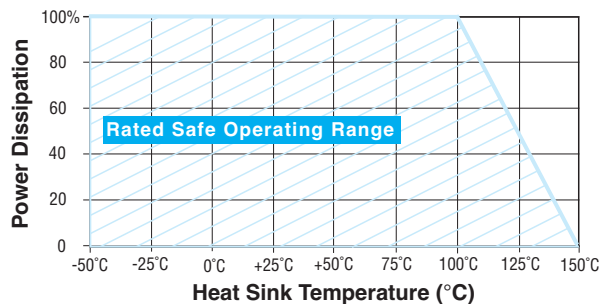
** Test Condition: Chip soldered to a large copper carrier whose surface is at 100°C; maximum rated power applied.

HOW TO ORDER



Contact factory for custom ratings and sizes.

POWER DERATING



Resistors

FLANGE MOUNT RESISTOR – P/N: RP60300RXXXXJNBK

ELECTRICAL SPECIFICATIONS

Resistance: 50 and 100 Ω standard
(other resistance values available)

Resistive Tolerance: $\pm 5\%$ standard ($\pm 2\%$ available)

Power: 20 Watts

Capacitance: 1.0 pF

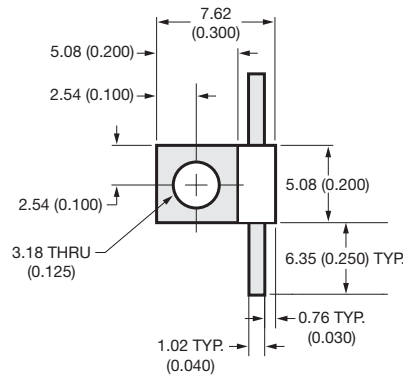
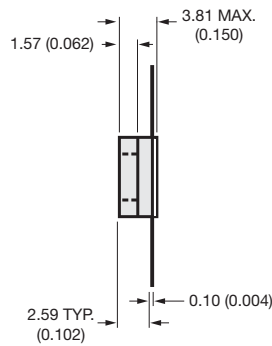
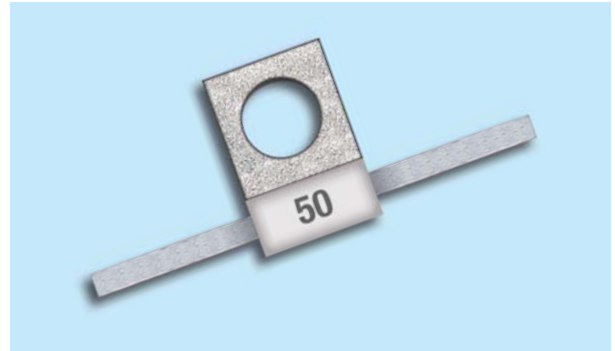
Operating Temperature Range: -55°C to $+150^{\circ}\text{C}$

Temperature Coefficient: <150 ppm/ $^{\circ}\text{C}$

Tabs: Silver

RoHS Compliant

Non-Magnetic available



mm (inches)

FLANGE MOUNT RESISTOR – P/N: RP60302RXXXXJNBK

ELECTRICAL SPECIFICATIONS

Resistance: 50 and 100 Ω standard
(other resistance values available)

Resistive Tolerance: $\pm 5\%$ standard ($\pm 2\%$ available)

Power: 20 Watts

Capacitance: 1.0pF

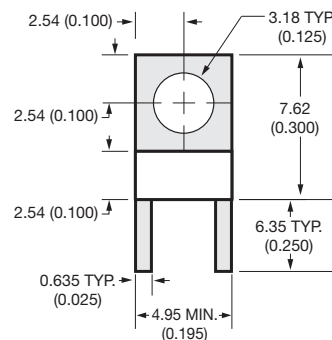
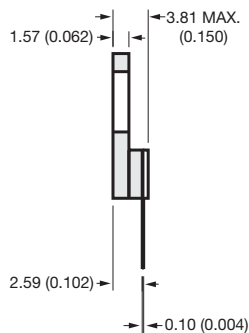
Operating Temperature Range: -55°C to $+150^{\circ}\text{C}$

Temperature Coefficient: <150 ppm/ $^{\circ}\text{C}$

Tabs: Silver

RoHS Compliant

Non-Magnetic available



mm (inches)

For Part Number Code, see page 8.

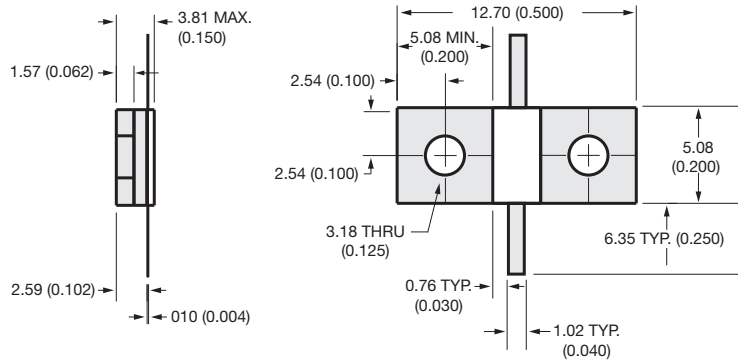
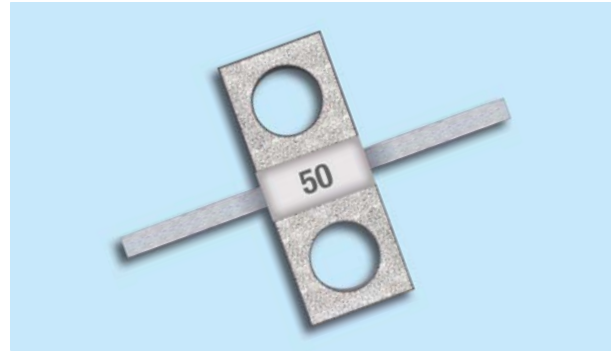
High Power Resistive Products



Resistors

FLANGE MOUNT RESISTOR – P/N: RP60500RXXXXJNBK ELECTRICAL SPECIFICATIONS

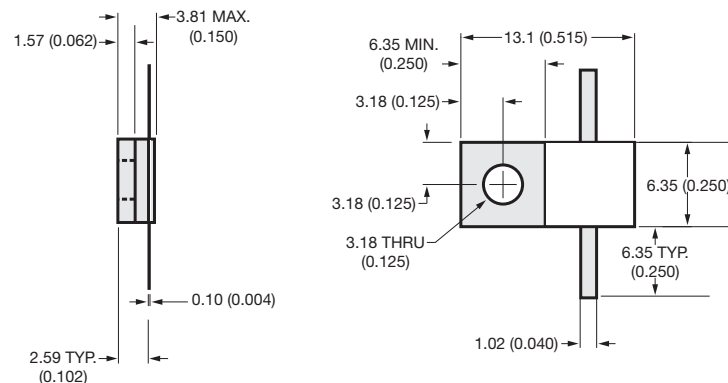
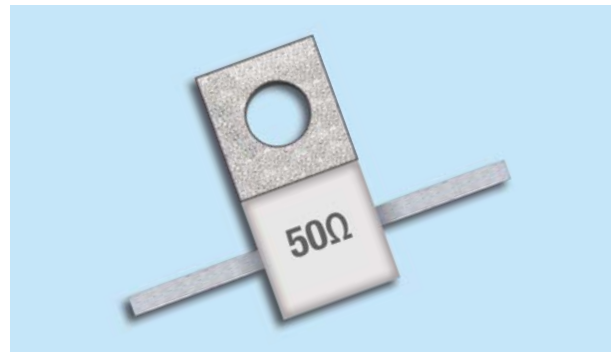
- Resistance:** 50 and 100 Ω standard (other resistance values available)
- Resistive Tolerance:** $\pm 5\%$ standard ($\pm 2\%$ available)
- Power:** 25 Watts
- Capacitance:** 1.0pF
- Operating Temperature Range:** -55°C to $+150^{\circ}\text{C}$
- Temperature Coefficient:** <150 ppm/ $^{\circ}\text{C}$
- Tabs:** Silver
- RoHS Compliant**
- Non-Magnetic available**



mm (inches)

FLANGE MOUNT RESISTOR – P/N: RP60515RXXXXJNBK ELECTRICAL SPECIFICATIONS

- Resistance:** 50 and 100 Ω standard (other resistance values available)
- Resistive Tolerance:** $\pm 5\%$ standard ($\pm 2\%$ available)
- Power:** 60 Watts
- Capacitance:** 2.0 pF
- Operating Temperature Range:** -55°C to $+150^{\circ}\text{C}$
- Temperature Coefficient:** <150 ppm/ $^{\circ}\text{C}$
- Tabs:** Silver
- RoHS Compliant**
- Non-Magnetic available**



mm (inches)

For Part Number Code, see page 8.



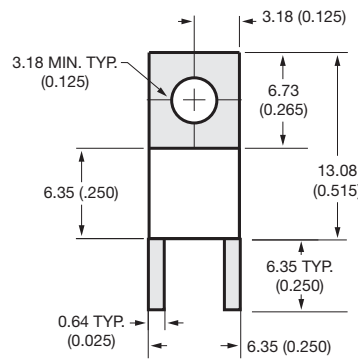
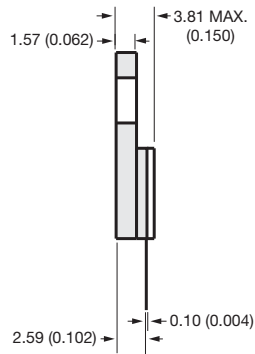
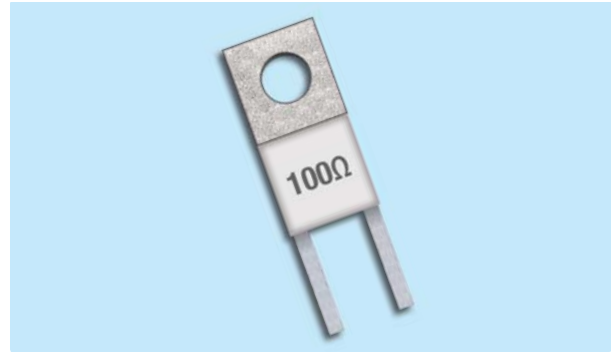
High Power Resistive Products



Resistors

FLANGE MOUNT RESISTOR – P/N: RP60517RXXXJNBK ELECTRICAL SPECIFICATIONS

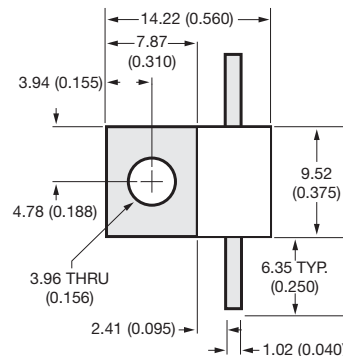
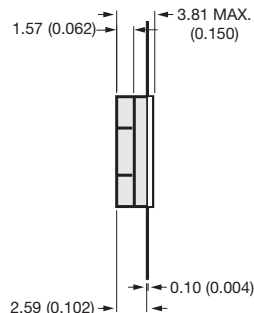
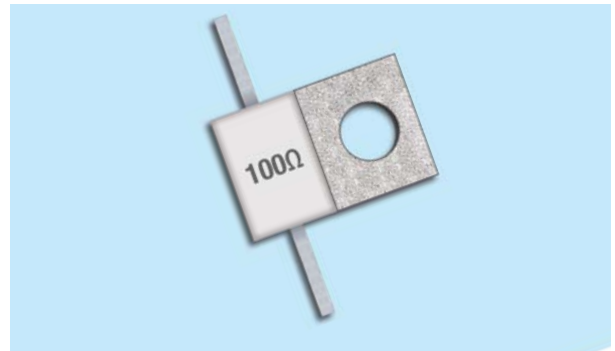
- Resistance:** 50 and 100 Ω standard
(other resistance values available)
- Resistive Tolerance:** $\pm 5\%$ standard ($\pm 2\%$ available)
- Power:** 60 Watts
- Capacitance:** 2.2 pF
- Operating Temperature Range:** -55°C to $+150^{\circ}\text{C}$
- Temperature Coefficient:** <150 ppm/ $^{\circ}\text{C}$
- Tabs:** Silver
- RoHS Compliant**
- Non-Magnetic available**



mm (inches)

FLANGE MOUNT RESISTOR – P/N: RP60560RXXXJNBK ELECTRICAL SPECIFICATIONS

- Resistance:** 50 and 100 Ω standard
(other resistance values available)
- Resistive Tolerance:** $\pm 5\%$ standard ($\pm 2\%$ available)
- Power:** 75 Watts
- Capacitance:** 4.15 pF
- Operating Temperature Range:** -55°C to $+150^{\circ}\text{C}$
- Temperature Coefficient:** <150 ppm/ $^{\circ}\text{C}$
- Tabs:** Silver
- RoHS Compliant**
- Non-Magnetic available**



mm (inches)

For Part Number Code, see page 8.



High Power Resistive Products



Resistors

FLANGE MOUNT RESISTOR – P/N: RP60562RXXXXJNBK

ELECTRICAL SPECIFICATIONS

Resistance: 50 and 100 Ω standard
(other resistance values available)

Resistive Tolerance: $\pm 5\%$ standard ($\pm 2\%$ available)

Power: 75 Watts

Capacitance: 4.15 pF

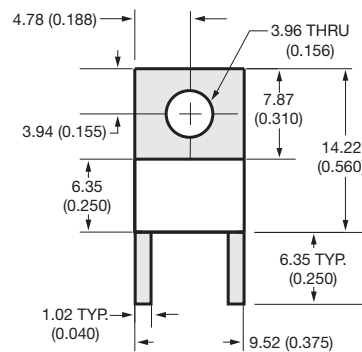
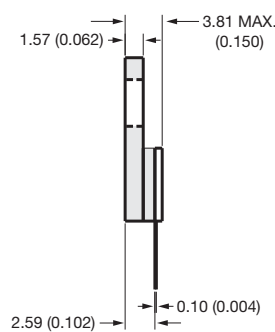
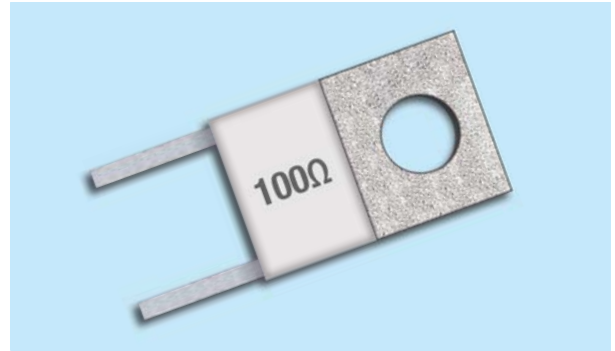
Operating Temperature Range: -55°C to $+150^{\circ}\text{C}$

Temperature Coefficient: <150 ppm/ $^{\circ}\text{C}$

Tabs: Silver

RoHS Compliant

Non-Magnetic available



mm (inches)

FLANGE MOUNT RESISTOR – P/N: RP60800RXXXXJNBK

ELECTRICAL SPECIFICATIONS

Resistance: 50 and 100 Ω standard
(other resistance values available)

Resistive Tolerance: $\pm 5\%$ standard ($\pm 2\%$ available)

Power: 100 Watts

Capacitance: 3.10 pF

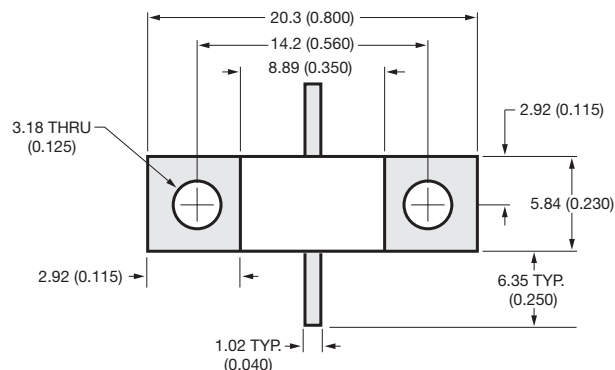
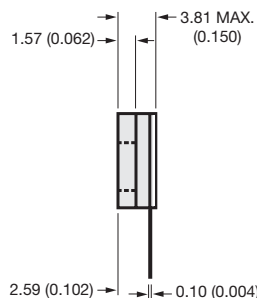
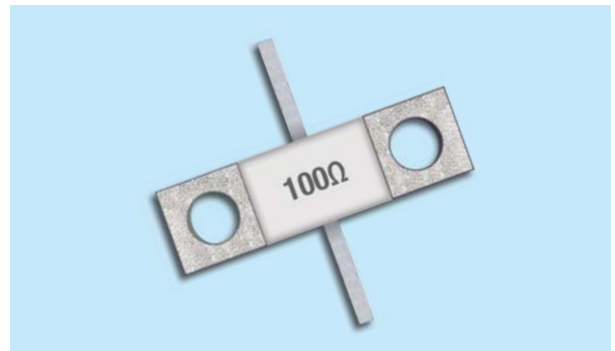
Operating Temperature Range: -55°C to $+150^{\circ}\text{C}$

Temperature Coefficient: <150 ppm/ $^{\circ}\text{C}$

Tabs: Silver

RoHS Compliant

Non-Magnetic available



mm (inches)

For Part Number Code, see page 8.

High Power Resistive Products



Resistors

FLANGE MOUNT RESISTORS

GENERAL SPECIFICATIONS

Resistance: 50 and 100 Ω standard
(contact factory for custom resistance values)

Resistive Tolerance: $\pm 5\%$ standard ($\pm 2\%$ available)

Power: 20-250 Watts

Capacitance: 1.0 pF

Operating Temperature Range: -55°C to $+150^{\circ}\text{C}$

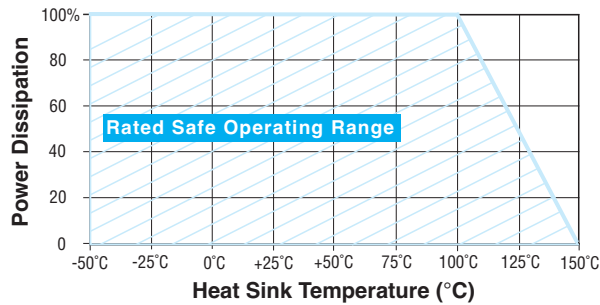
Temperature Coefficient: <150 ppm/ $^{\circ}\text{C}$

HOW TO ORDER

RP6	0300	R	0100	J	N	BK
AVX Series	Case Size	Type R = Resistor	Value 0050 = 50 Ω 0100 = 100 Ω	Tolerance J = $\pm 5\%$ (G = $\pm 2\%$ available Consult Factory)	Terminal N = Silver	Packaging BK = Plastic Carrier

Contact factory for custom ratings and sizes.

POWER DERATING





Стандарт Электрон Связь

Мы молодая и активно развивающаяся компания в области поставок электронных компонентов. Мы поставляем электронные компоненты отечественного и импортного производства напрямую от производителей и с крупнейших складов мира.

Благодаря сотрудничеству с мировыми поставщиками мы осуществляем комплексные и плановые поставки широчайшего спектра электронных компонентов.

Собственная эффективная логистика и склад в обеспечивает надежную поставку продукции в точно указанные сроки по всей России.

Мы осуществляем техническую поддержку нашим клиентам и предпродажную проверку качества продукции. На все поставляемые продукты мы предоставляем гарантию .

Осуществляем поставки продукции под контролем ВП МО РФ на предприятия военно-промышленного комплекса России , а также работаем в рамках 275 ФЗ с открытием отдельных счетов в уполномоченном банке. Система менеджмента качества компании соответствует требованиям ГОСТ ISO 9001.

Минимальные сроки поставки, гибкие цены, неограниченный ассортимент и индивидуальный подход к клиентам являются основой для выстраивания долгосрочного и эффективного сотрудничества с предприятиями радиоэлектронной промышленности, предприятиями ВПК и научно-исследовательскими институтами России.

С нами вы становитесь еще успешнее!

Наши контакты:

Телефон: +7 812 627 14 35

Электронная почта: sales@st-electron.ru

Адрес: 198099, Санкт-Петербург,
Промышленная ул, дом № 19, литера Н,
помещение 100-Н Офис 331