

TOSHIBA CMOS Digital Integrated Circuit Silicon Monolithic

TC74VHC161F, TC74VHC161FN, TC74VHC161FT, TC74VHC161FK TC74VHC163F, TC74VHC163FN, TC74VHC163FT, TC74VHC163FK

Synchronous Presettable 4-Bit Counter

TC74VHC161F/FN/FT/FK Binary,
Asynchronous Clear

TC74VHC163F/FN/FT/FK Binary,
Synchronous Clear

The TC74VHC 161 and 163 are advanced high speed CMOS SYNCHRONOUS PRESETTABLE 4 BIT BINARY COUNTERs fabricated with silicon gate C²MOS technology.

They achieve the high speed operation similar to equivalent Bipolar Schottky TTL while maintaining the CMOS low power dissipation.

The CK input is active on the rising edge. Both \overline{LOAD} and \overline{CLR} inputs are active on low logic level.

Presetting of each IC's is synchronous to the rising edge of CK.

The clear function of the TC74VHC163 is synchronous to CK, while the TC74VHC161 are cleared asynchronously.

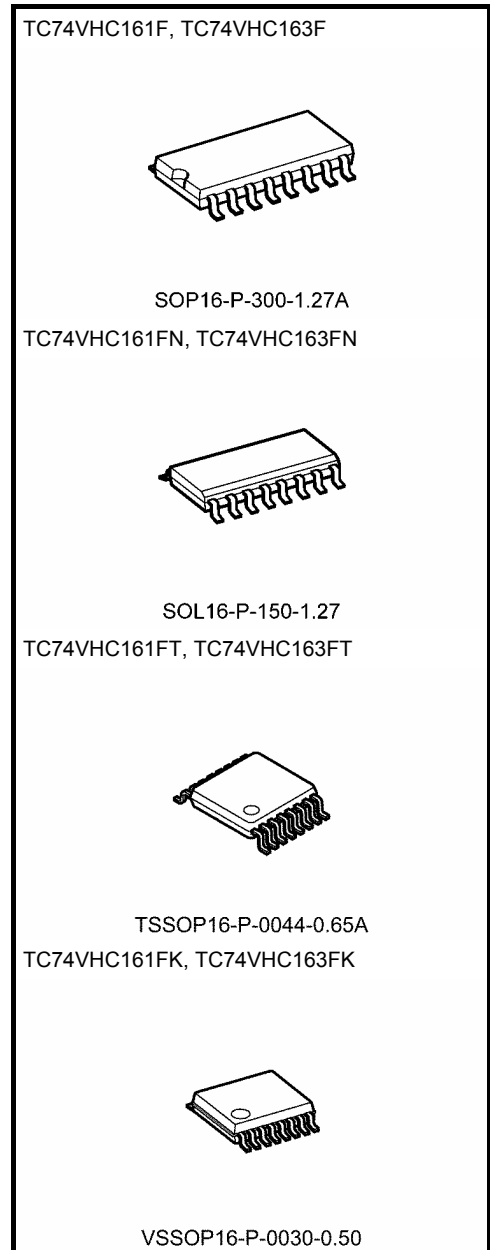
Two enable inputs (ENP and ENT) and CARRY OUTPUT are provided to enable easy cascading of counters, which facilitates easy implementation of n-bit counters without using external gates.

An input protection circuit ensures that 0 to 5.5 V can be applied to the input pins without regard to the supply voltage. This device can be used to interface 5 V to 3 V systems and two supply systems such as battery back up. This circuit prevents device destruction due to mismatched supply and input voltages.

Features

- High speed: $f_{max} = 185$ MHz (typ.) at $V_{CC} = 5$ V
- Low power dissipation: $I_{CC} = 4$ μ A (max) at $T_a = 25^\circ$ C
- High noise immunity: $V_{NIH} = V_{NIL} = 28\%$ V_{CC} (min)
- Power down protection is provided on all inputs.
- Balanced propagation delays: $t_{pLH} \approx t_{pHL}$
- Wide operating voltage range: $V_{CC} (opr) = 2$ to 5.5 V
- Low noise: $V_{OLP} = 0.8$ V (max)
- Pin and function compatible with 74ALS161/163

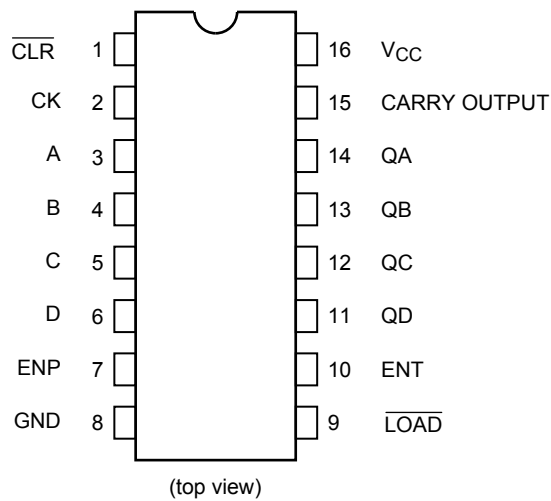
Note: xxxFN (JEDEC SOP) is not available in Japan.



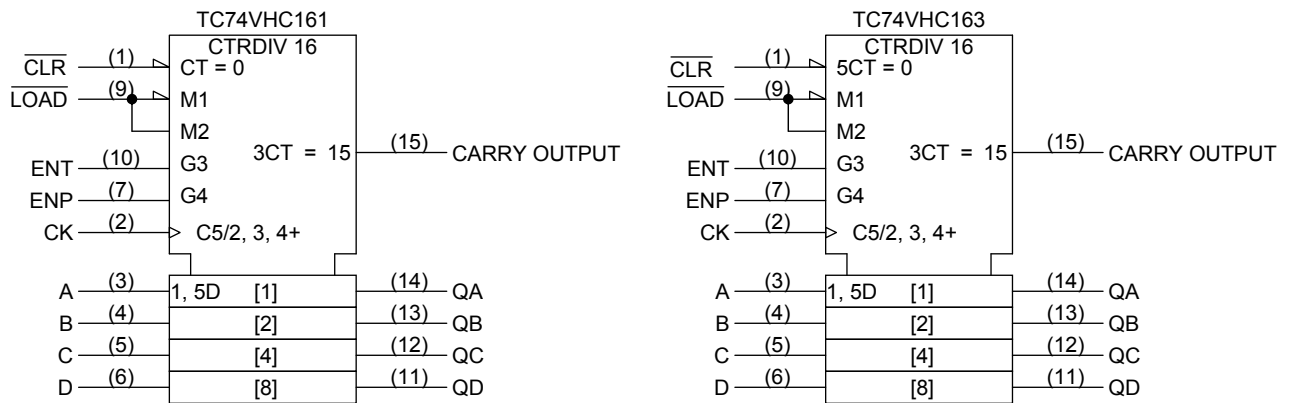
Weight

SOP16-P-300-1.27A	: 0.18 g (typ.)
SOL16-P-150-1.27	: 0.13 g (typ.)
TSSOP16-P-0044-0.65A	: 0.06 g (typ.)
VSSOP16-P-0030-0.50	: 0.02 g (typ.)

Pin Assignment



IEC Logic Symbol



Truth Table (Note)

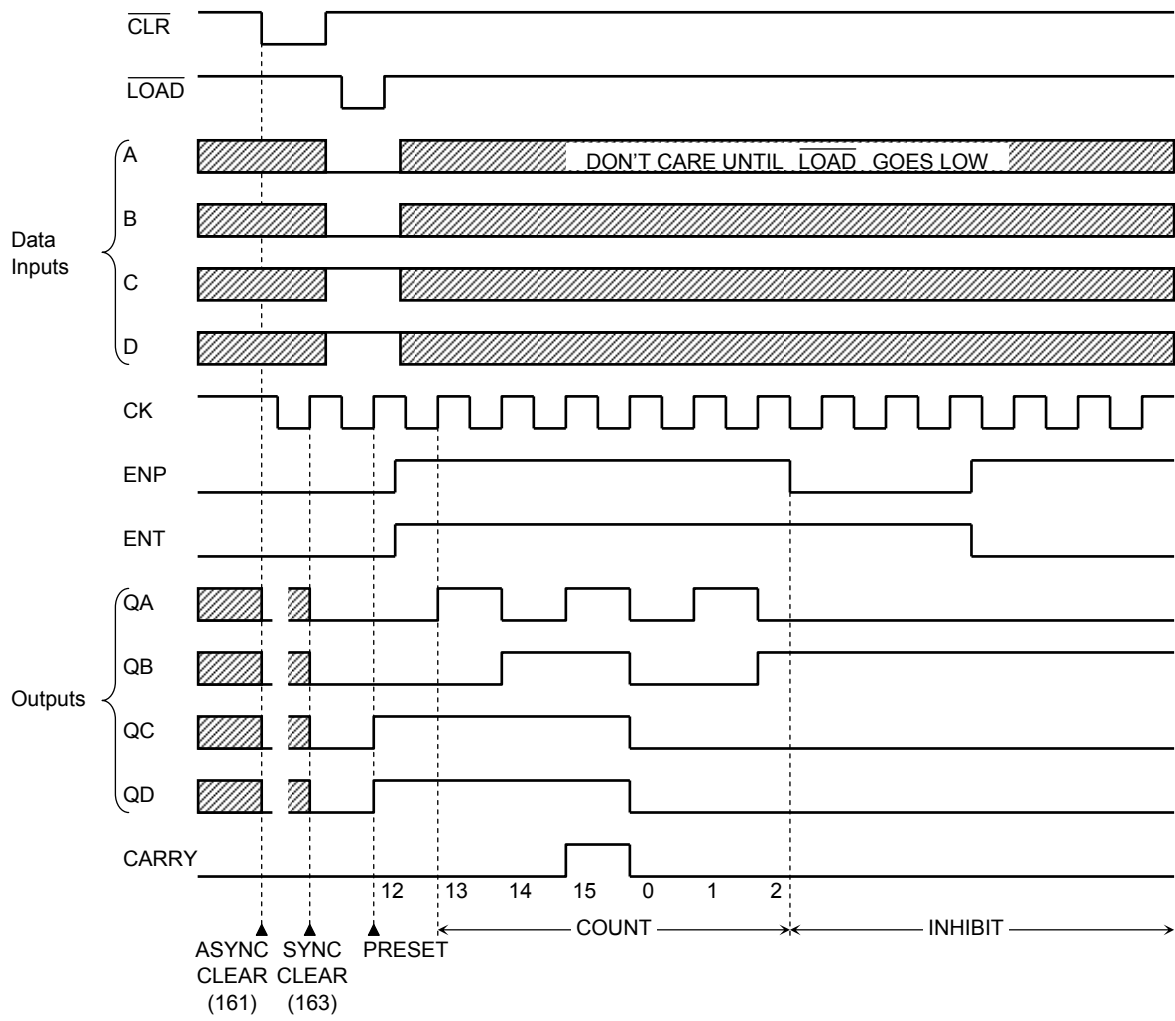
TC74VHC161					TC74VHC163					Outputs				Function
Inputs					Inputs					QA	QB	QC	QD	
CLR	LD	ENP	ENT	CK	CLR	LD	ENP	ENT	CK	QA	QB	QC	QD	
L	X	X	X	X	L	X	X	X	↑	L	L	L	L	Reset to "0"
H	L	X	X	↑	H	L	X	X	↑	A	B	C	D	Preset Data
H	H	X	L	↑	H	H	X	L	↑	No Change				No Count
H	H	L	X	↑	H	H	L	X	↑	No Change				No Count
H	H	H	H	↑	H	H	H	H	↑	Count Up				Count
H	X	X	X	↓	X	X	X	X	↓	No Change				No Count

Note: X: Don't care

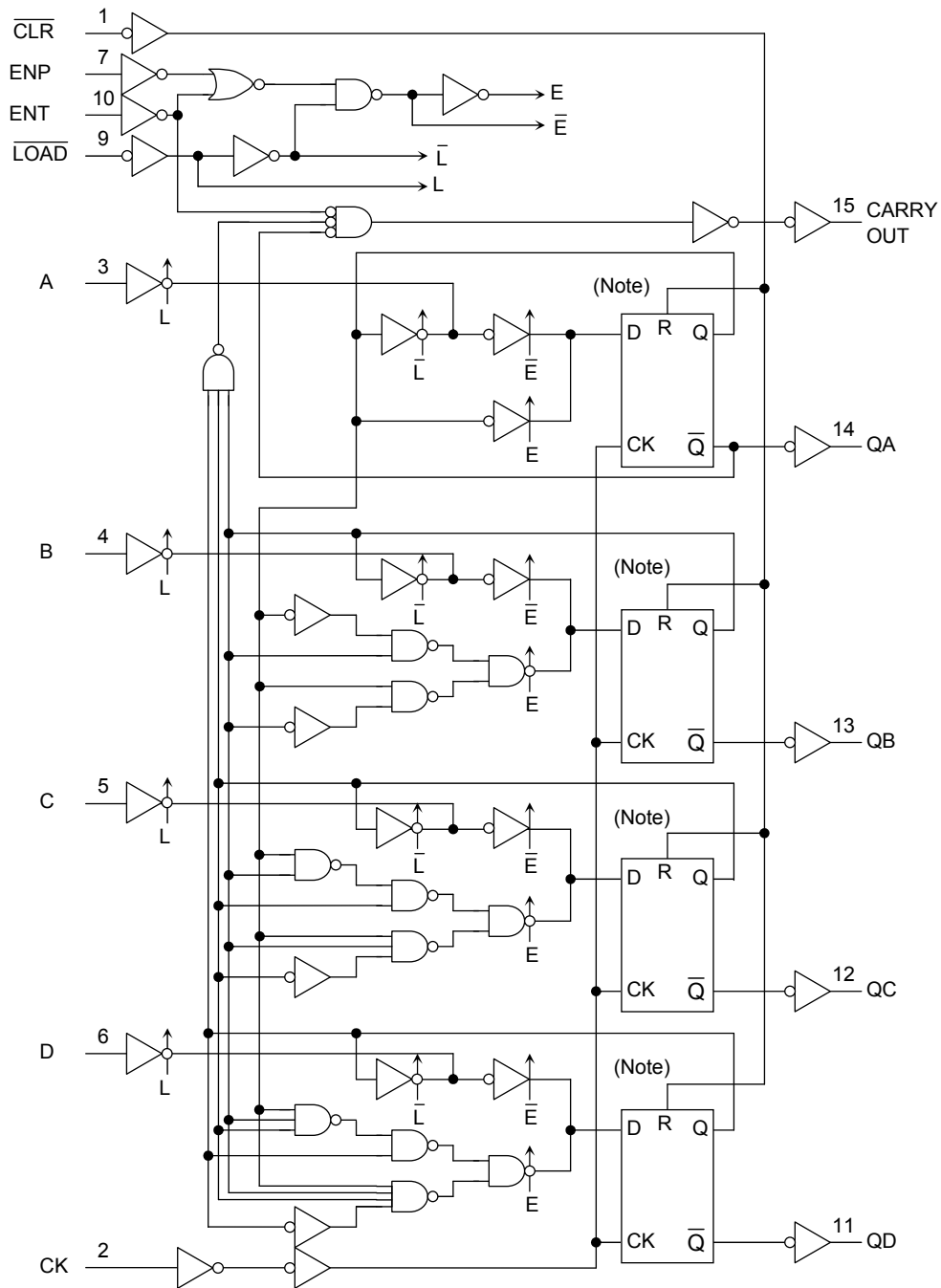
A, B, C, D: Logic level of data inputs

Carry: CARRY = ENT · QA · QB · QC · QD

Timing Chart



System Diagram



Note: Truth table of internal F/F

TC74VHC161					TC74VHC163				
D	CK	R	Q	\bar{Q}	D	CK	R	Q	\bar{Q}
X	X	H	L	H	X	\uparrow	H	L	H
L	\uparrow	L	L	H	L	\uparrow	L	L	H
H	\uparrow	L	H	L	H	\uparrow	L	H	L
X	\downarrow	L	No Change		X	\downarrow	X	No Change	

X: Don't care

Absolute Maximum Ratings (Note)

Characteristics	Symbol	Rating	Unit
Supply voltage range	V_{CC}	-0.5 to 7.0	V
DC input voltage	V_{IN}	-0.5 to 7.0	V
DC output voltage	V_{OUT}	-0.5 to $V_{CC} + 0.5$	V
Input diode current	I_{IK}	-20	mA
Output diode current	I_{OK}	± 20	mA
DC output current	I_{OUT}	± 25	mA
DC V_{CC} /ground current	I_{CC}	± 50	mA
Power dissipation	P_D	180	mW
Storage temperature	T_{stg}	-65 to 150	$^{\circ}C$

Note: Exceeding any of the absolute maximum ratings, even briefly, lead to deterioration in IC performance or even destruction.

Using continuously under heavy loads (e.g. the application of high temperature/current/voltage and the significant change in temperature, etc.) may cause this product to decrease in the reliability significantly even if the operating conditions (i.e. operating temperature/current/voltage, etc.) are within the absolute maximum ratings and the operating ranges.

Please design the appropriate reliability upon reviewing the Toshiba Semiconductor Reliability Handbook ("Handling Precautions"/"Derating Concept and Methods") and individual reliability data (i.e. reliability test report and estimated failure rate, etc).

Operating Range (Note)

Characteristics	Symbol	Rating	Unit
Supply voltage	V_{CC}	2.0 to 5.5	V
Input voltage	V_{IN}	0 to 5.5	V
Output voltage	V_{OUT}	0 to V_{CC}	V
Operating temperature	T_{opr}	-40 to 85	$^{\circ}C$
Input rise and fall time	dt/dv	0 to 100 ($V_{CC} = 3.3 \pm 0.3$ V) 0 to 20 ($V_{CC} = 5 \pm 0.5$ V)	ns/V

Note: The operating ranges must be maintained to ensure the normal operation of the device. Unused inputs must be tied to either V_{CC} or GND.

Electrical Characteristics

DC Characteristics

Characteristics	Symbol	Test Condition		Ta = 25°C			Ta = -40 to 85°C		Unit	
				V _{CC} (V)	Min	Typ.	Max	Min		Max
High-level input voltage	V _{IH}	—		2.0 3.0 to 5.5	1.50 V _{CC} × 0.7	— —	— —	1.50 V _{CC} × 0.7	— —	V
Low-level input voltage	V _{IL}	—		2.0 3.0 to 5.5	— —	— —	0.50 V _{CC} × 0.3	— —	0.50 V _{CC} × 0.3	V
High-level output voltage	V _{OH}	V _{IN} = V _{IH} or V _{IL}	I _{OH} = -50 μA	2.0 3.0 4.5	1.9 2.9 4.4	2.0 3.0 4.5	— — —	1.9 2.9 4.4	— — —	V
			I _{OH} = -4 mA	3.0	2.58	—	—	2.48	—	
			I _{OH} = -8 mA	4.5	3.94	—	—	3.80	—	
Low-level output voltage	V _{OL}	V _{IN} = V _{IH} or V _{IL}	I _{OL} = 50 μA	2.0 3.0 4.5	— — —	0.0 0.0 0.0	0.1 0.1 0.1	— — —	0.1 0.1 0.1	V
			I _{OL} = 4 mA	3.0	—	—	0.36	—	0.44	
			I _{OL} = 8 mA	4.5	—	—	0.36	—	0.44	
Input leakage current	I _{IN}	V _{IN} = 5.5 or GND		0 to 5.5	—	—	±0.1	—	±1.0	μA
Quiescent supply current	I _{CC}	V _{IN} = V _{CC} or GND		5.5	—	—	4.0	—	40.0	μA

Timing Requirements (input: $t_r = t_f = 3 \text{ ns}$)

Characteristics	Symbol	Test Condition	Ta = 25°C		Ta = -40 to 85°C		Unit
			VCC (V)	Limit	Limit	Limit	
Minimum pulse width (CK)	t_w (L) t_w (H)	Figure 1	3.3 ± 0.3	5.0	5.0	5.0	ns
			5.0 ± 0.5	5.0	5.0	5.0	
Minimum pulse width ($\overline{\text{CLR}}$) (Note1)	t_w (L)	Figure 4	3.3 ± 0.3 5.0 ± 0.5	5.0 5.0	5.0 5.0	5.0 5.0	ns
Minimum set-up time (A, B, C, D)	t_s	Figure 2	3.3 ± 0.3	5.5	6.5	6.5	ns
			5.0 ± 0.5	4.5	4.5	4.5	
Minimum set-up time ($\overline{\text{LOAD}}$)	t_s	Figure 2	3.3 ± 0.3	8.0	9.5	9.5	ns
			5.0 ± 0.5	5.0	6.0	6.0	
Minimum set-up time (ENT, ENP)	t_s	Figure 3	3.3 ± 0.3	7.5	9.0	9.0	ns
			5.0 ± 0.5	5.0	6.0	6.0	
Minimum set-up time ($\overline{\text{CLR}}$) (Note 2)	t_s	Figure 5	3.3 ± 0.3	4.0	4.0	4.0	ns
			5.0 ± 0.5	3.5	3.5	3.5	
Minimum hold time	t_h	Figure 2, Figure 3	3.3 ± 0.3	1.0	1.0	1.0	ns
			5.0 ± 0.5	1.0	1.0	1.0	
Minimum hold time ($\overline{\text{CLR}}$) (Note 2)	t_h	Figure 5	3.3 ± 0.3	1.0	1.0	1.0	ns
			5.0 ± 0.5	1.5	1.5	1.5	
Minimum removal time ($\overline{\text{CLR}}$) (Note 1)	t_{rem}	Figure 4	3.3 ± 0.3	2.5	2.5	2.5	ns
			5.0 ± 0.5	1.5	1.5	1.5	

Note 1: For TC74VHC161 only

Note 2: For TC74VHC163 only

AC Characteristics (input: $t_r = t_f = 3$ ns)

Characteristics	Symbol	Test Condition	Ta = 25°C			Ta = -40 to 85°C		Unit		
			V _{CC} (V)	C _L (pF)	Min	Typ.	Max		Min	Max
Propagation delay time (CK-Q)	t _{pLH} t _{pHL}	Figure 1, Figure 2	3.3 ± 0.3	15	—	8.3	12.8	1.0	15.0	ns
				50	—	10.8	16.3	1.0	18.5	
	5.0 ± 0.5	15	—	4.9	8.1	1.0	9.5			
		50	—	6.4	10.1	1.0	11.5			
Propagation delay time (CK-CARRY, count-mode)	t _{pLH} t _{pHL}	Figure 1	3.3 ± 0.3	15	—	8.7	13.6	1.0	16.0	ns
				50	—	11.2	17.1	1.0	19.5	
	5.0 ± 0.5	15	—	4.9	8.1	1.0	9.5			
		50	—	6.4	10.1	1.0	11.5			
Propagation delay time (CK-CARRY, preset-mode)	t _{pLH} t _{pHL}	Figure 2	3.3 ± 0.3	15	—	11.0	17.2	1.0	20.0	ns
				50	—	13.5	20.7	1.0	23.5	
	5.0 ± 0.5	15	—	6.2	10.3	1.0	12.0			
		50	—	7.7	12.3	1.0	14.0			
Propagation delay time (ENT-CARRY)	t _{pLH} t _{pHL}	Figure 6	3.3 ± 0.3	15	—	7.5	12.3	1.0	14.5	ns
				50	—	10.5	15.8	1.0	18.0	
	5.0 ± 0.5	15	—	4.9	8.1	1.0	9.5			
		50	—	6.4	10.1	1.0	11.5			
Propagation delay time ($\overline{\text{CLR}}$ -Q) (Note 2)	t _{pHL}	Figure 4	3.3 ± 0.3	15	—	8.9	13.6	1.0	16.0	ns
				50	—	11.2	17.1	1.0	19.5	
			5.0 ± 0.5	15	—	5.5	9.0	1.0	10.5	
				50	—	7.0	11.0	1.0	12.5	
Propagation delay time ($\overline{\text{CLR}}$ -CARRY) (Note 2)	t _{pHL}	Figure 4	3.3 ± 0.3	15	—	8.4	13.2	1.0	15.5	ns
				50	—	10.9	16.7	1.0	19.0	
			5.0 ± 0.5	15	—	5.0	8.6	1.0	10.0	
				50	—	6.5	10.6	1.0	12.0	
Maximum clock frequency	f _{max}	—	3.3 ± 0.3	15	80	130	—	70	—	MHz
				50	55	85	—	50	—	
			5.0 ± 0.5	15	135	185	—	115	—	
				50	95	125	—	85	—	
Input capacitance	C _{IN}	—			—	4	10	—	10	pF
Power dissipation capacitance	C _{PD}	(Note 1)			—	23	—	—	—	pF

Note 1: C_{PD} is defined as the value of the internal equivalent capacitance which is calculated from the operating current consumption without load.

Average operating current can be obtained by the equation:

$$I_{CC}(\text{opr}) = C_{PD} \cdot V_{CC} \cdot f_{IN} + I_{CC}$$

When the outputs drive a capacitive load, total current consumption is the sum of C_{PD}, and ΔI_{CC} which is obtained from the following formula:

$$\Delta I_{CC} = f_{CK} \cdot V_{CC} \left(\frac{C_{QA}}{2} + \frac{C_{QB}}{4} + \frac{C_{QC}}{8} + \frac{C_{QD}}{16} + \frac{C_{CO}}{16} \right)$$

C_{QA} to C_{QD} and C_{CO} are the capacitances at QA to QD and CARRY OUT, respectively.

f_{CK} is the input frequency of the CK.

Note 2: For TC74VHC161 only

Switching Characteristics Test Waveform

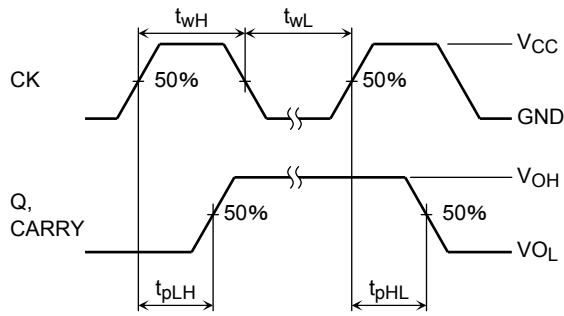


Figure 1 Count Mode

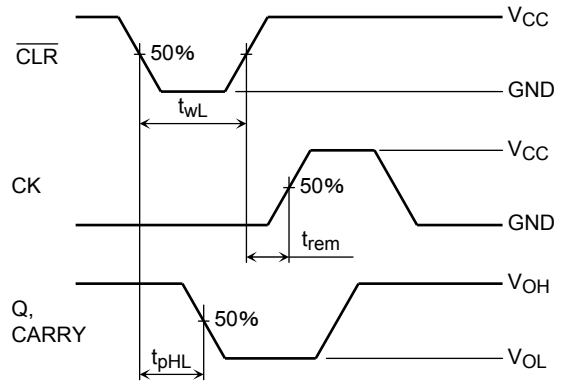


Figure 4 Clear Mode (TC74VHC161)

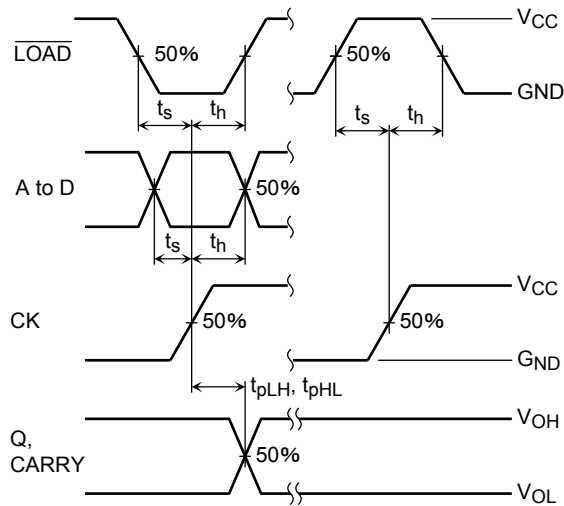


Figure 2 Preset Mode

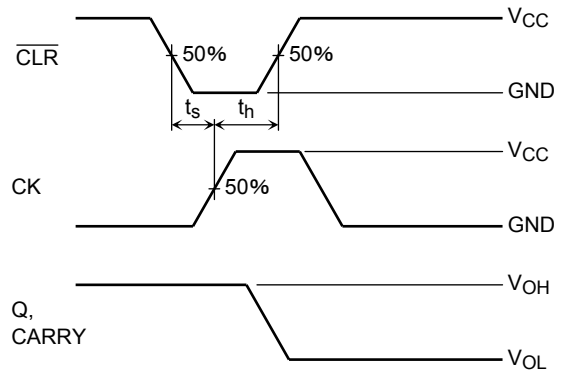


Figure 5 Clear Mode (TC74VHC163)

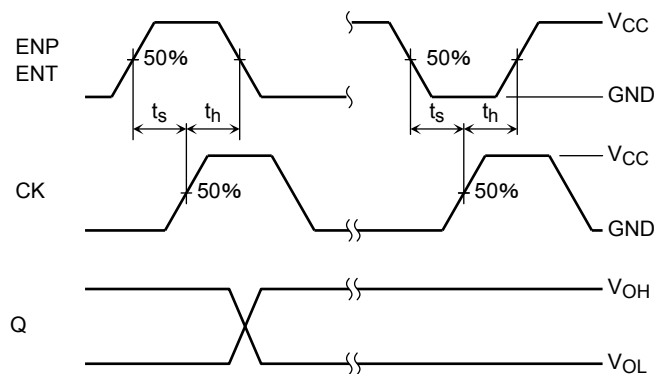


Figure 3 Count Enable Mode

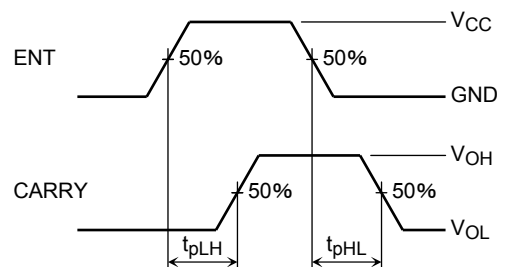
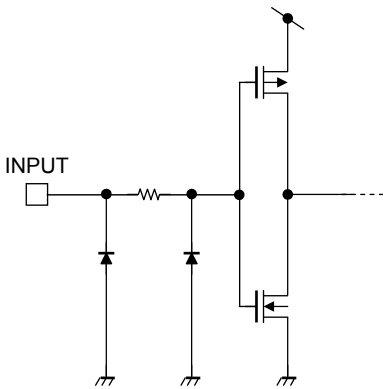


Figure 6 Cascade Mode (fix maximum count)

Noise Characteristics (input: $t_r = t_f = 3$ ns)

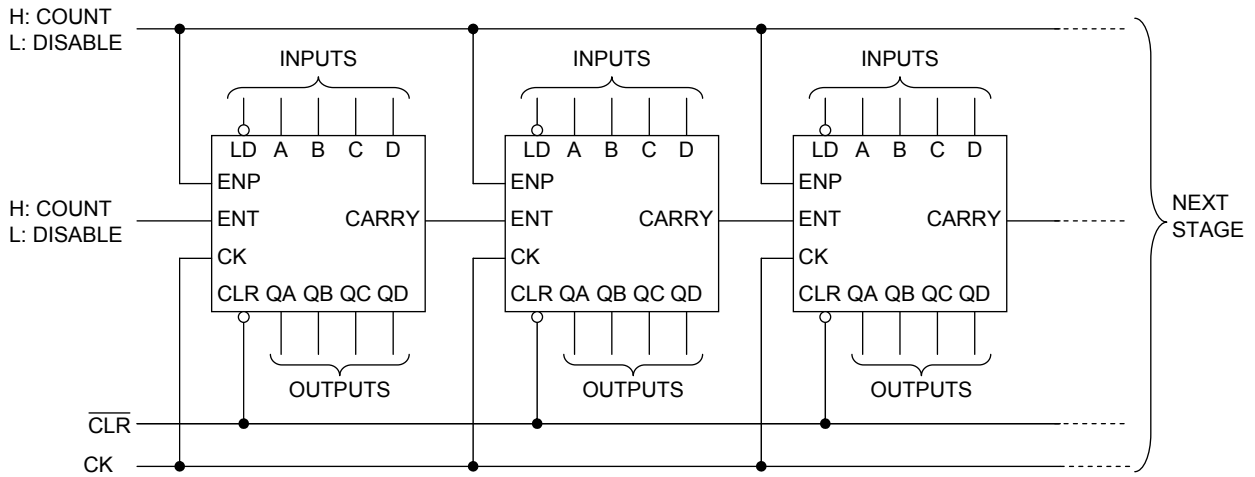
Characteristics	Symbol	Test Condition	Ta = 25°C			Unit
			V _{CC} (V)	Typ.	Max	
Quiet output maximum dynamic V _{OL}	V _{OLP}	C _L = 50 pF	5.0	0.4	0.8	V
Quiet output minimum dynamic V _{OL}	V _{OLV}	C _L = 50 pF	5.0	-0.4	-0.8	V
Minimum high level dynamic input voltage	V _{IHD}	C _L = 50 pF	5.0	—	3.5	V
Maximum low level dynamic input voltage	V _{ILD}	C _L = 50 pF	5.0	—	1.5	V

Input Equivalent Circuit



Typical Application

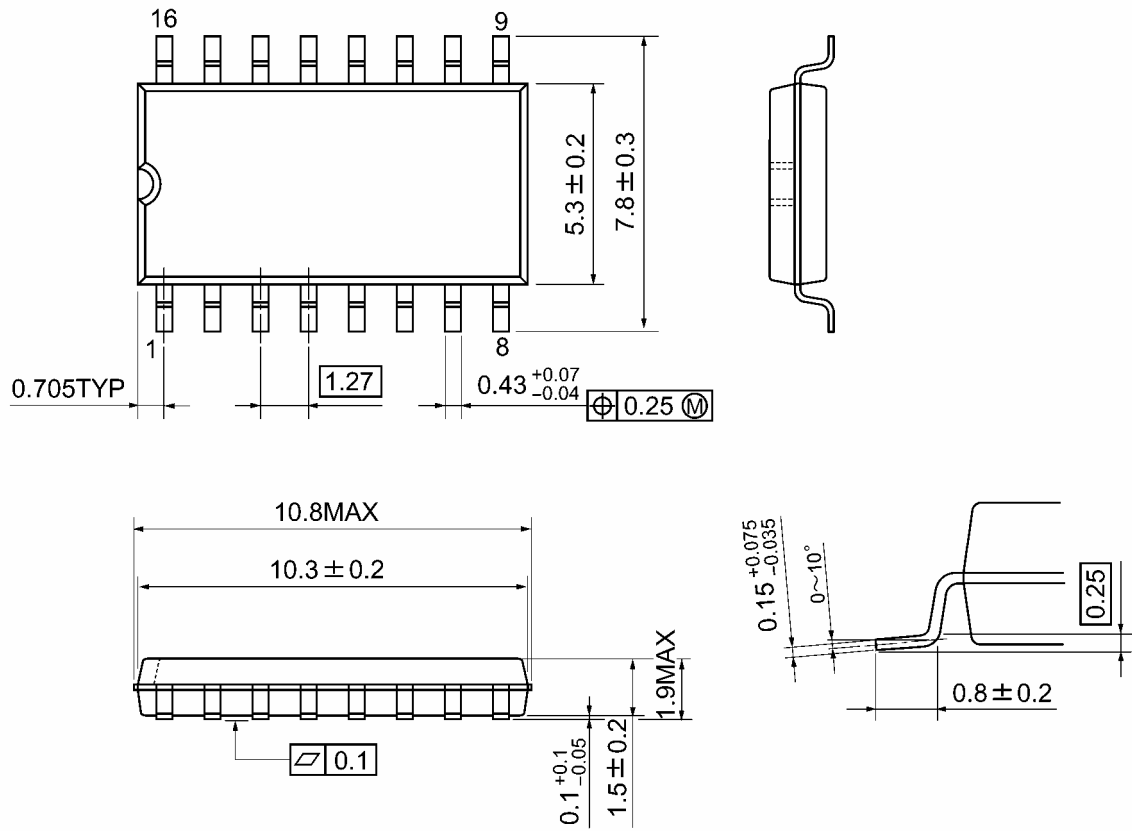
Parallel Carry N-Bit Counter



Package Dimensions

SOP16-P-300-1.27A

Unit: mm

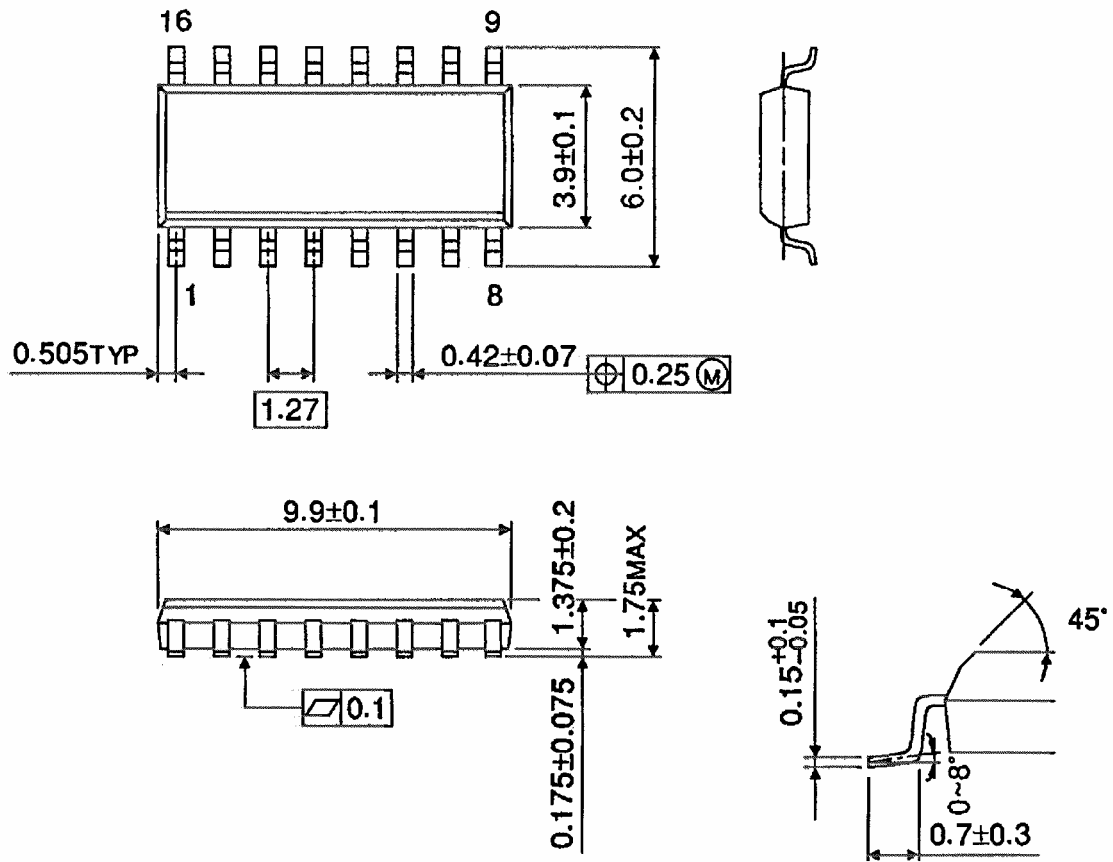


Weight: 0.18 g (typ.)

Package Dimensions (Note)

SOL16-P-150-1.27

Unit : mm



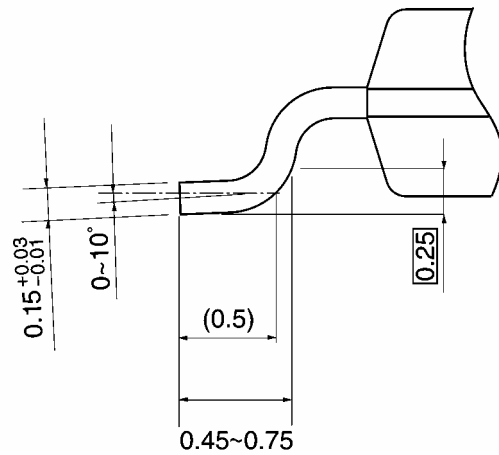
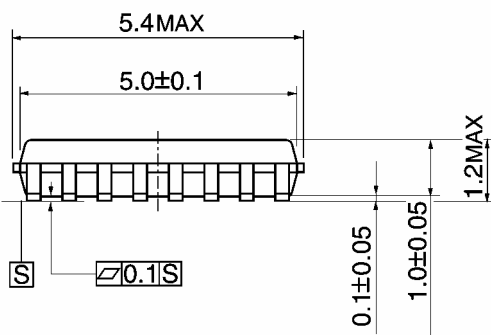
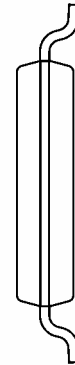
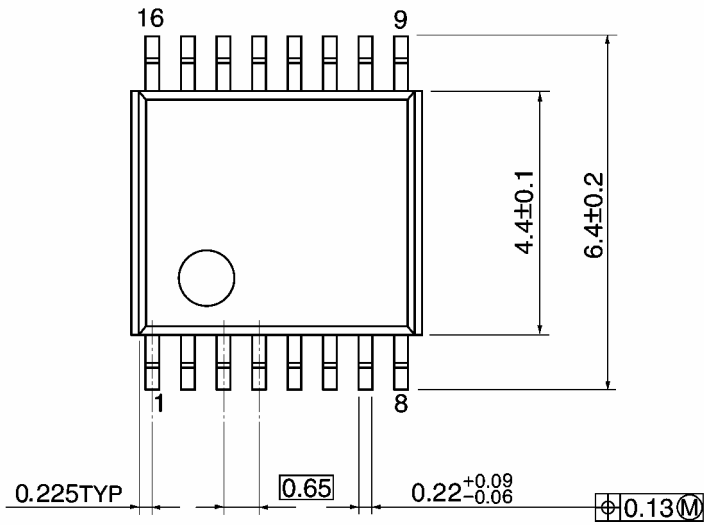
Note: This package is not available in Japan.

Weight: 0.13 g (typ.)

Package Dimensions

TSSOP16-P-0044-0.65A

Unit: mm

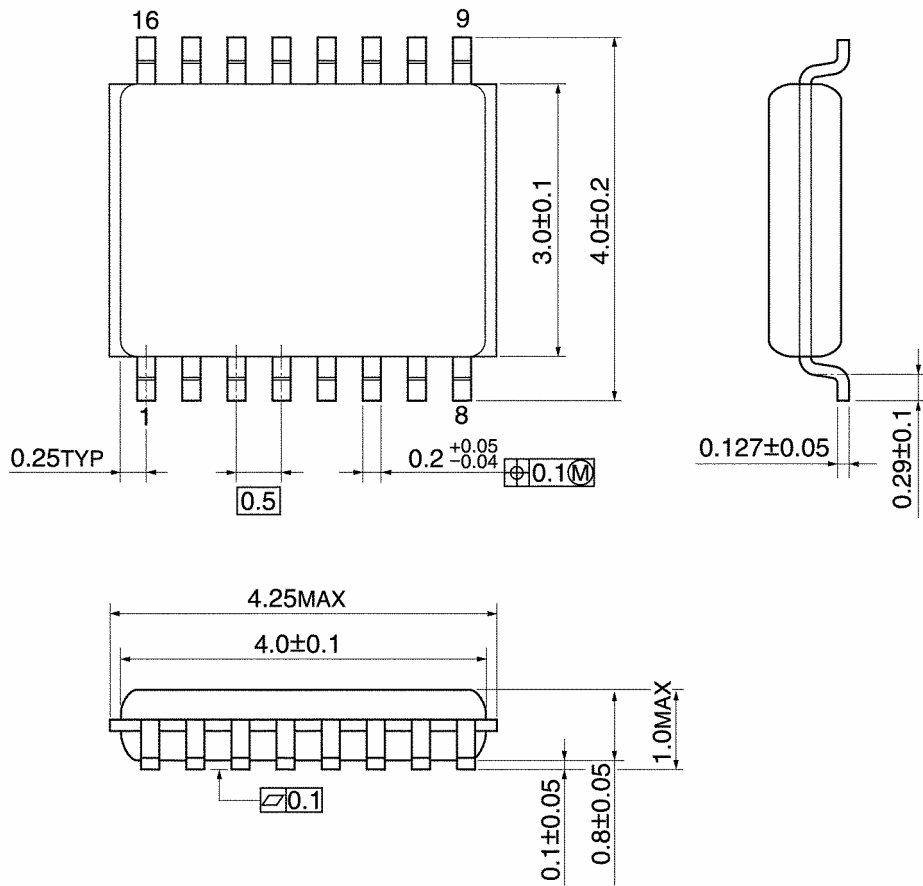


Weight: 0.06 g (typ.)

Package Dimensions

VSSOP16-P-0030-0.50

Unit: mm



Weight: 0.02 g (typ.)

RESTRICTIONS ON PRODUCT USE

20070701-EN GENERAL

- The information contained herein is subject to change without notice.
- TOSHIBA is continually working to improve the quality and reliability of its products. Nevertheless, semiconductor devices in general can malfunction or fail due to their inherent electrical sensitivity and vulnerability to physical stress. It is the responsibility of the buyer, when utilizing TOSHIBA products, to comply with the standards of safety in making a safe design for the entire system, and to avoid situations in which a malfunction or failure of such TOSHIBA products could cause loss of human life, bodily injury or damage to property.
In developing your designs, please ensure that TOSHIBA products are used within specified operating ranges as set forth in the most recent TOSHIBA products specifications. Also, please keep in mind the precautions and conditions set forth in the "Handling Guide for Semiconductor Devices," or "TOSHIBA Semiconductor Reliability Handbook" etc.
- The TOSHIBA products listed in this document are intended for usage in general electronics applications (computer, personal equipment, office equipment, measuring equipment, industrial robotics, domestic appliances, etc.). These TOSHIBA products are neither intended nor warranted for usage in equipment that requires extraordinarily high quality and/or reliability or a malfunction or failure of which may cause loss of human life or bodily injury ("Unintended Usage"). Unintended Usage include atomic energy control instruments, airplane or spaceship instruments, transportation instruments, traffic signal instruments, combustion control instruments, medical instruments, all types of safety devices, etc.. Unintended Usage of TOSHIBA products listed in this document shall be made at the customer's own risk.
- The products described in this document shall not be used or embedded to any downstream products of which manufacture, use and/or sale are prohibited under any applicable laws and regulations.
- The information contained herein is presented only as a guide for the applications of our products. No responsibility is assumed by TOSHIBA for any infringements of patents or other rights of the third parties which may result from its use. No license is granted by implication or otherwise under any patents or other rights of TOSHIBA or the third parties.
- Please contact your sales representative for product-by-product details in this document regarding RoHS compatibility. Please use these products in this document in compliance with all applicable laws and regulations that regulate the inclusion or use of controlled substances. Toshiba assumes no liability for damage or losses occurring as a result of noncompliance with applicable laws and regulations.



Стандарт Электрон Связь

Мы молодая и активно развивающаяся компания в области поставок электронных компонентов. Мы поставляем электронные компоненты отечественного и импортного производства напрямую от производителей и с крупнейших складов мира.

Благодаря сотрудничеству с мировыми поставщиками мы осуществляем комплексные и плановые поставки широчайшего спектра электронных компонентов.

Собственная эффективная логистика и склад в обеспечивает надежную поставку продукции в точно указанные сроки по всей России.

Мы осуществляем техническую поддержку нашим клиентам и предпродажную проверку качества продукции. На все поставляемые продукты мы предоставляем гарантию .

Осуществляем поставки продукции под контролем ВП МО РФ на предприятия военно-промышленного комплекса России , а также работаем в рамках 275 ФЗ с открытием отдельных счетов в уполномоченном банке. Система менеджмента качества компании соответствует требованиям ГОСТ ISO 9001.

Минимальные сроки поставки, гибкие цены, неограниченный ассортимент и индивидуальный подход к клиентам являются основой для выстраивания долгосрочного и эффективного сотрудничества с предприятиями радиоэлектронной промышленности, предприятиями ВПК и научно-исследовательскими институтами России.

С нами вы становитесь еще успешнее!

Наши контакты:

Телефон: +7 812 627 14 35

Электронная почта: sales@st-electron.ru

Адрес: 198099, Санкт-Петербург,
Промышленная ул, дом № 19, литера Н,
помещение 100-Н Офис 331