

DATA SHEET

For a complete data sheet, please also download:

- The IC06 74HC/HCT/HCU/HCMOS Logic Family Specifications
- The IC06 74HC/HCT/HCU/HCMOS Logic Package Information
- The IC06 74HC/HCT/HCU/HCMOS Logic Package Outlines

74HC/HCT173

Quad D-type flip-flop; positive-edge trigger; 3-state

Product specification
File under Integrated Circuits, IC06

December 1990

Quad D-type flip-flop; positive-edge trigger; 3-state

74HC/HCT173

FEATURES

- Gated input enable for hold (do nothing) mode
- Gated output enable control
- Edge-triggered D-type register
- Asynchronous master reset
- Output capability: bus driver
- I_{CC} category: MSI

GENERAL DESCRIPTION

The 74HC/HCT173 are high-speed Si-gate CMOS devices and are pin compatible with low power Schottky TTL (LSTTL). They are specified in compliance with JEDEC standard no. 7A.

The 74HC/HCT173 are 4-bit parallel load registers with clock enable control, 3-state buffered outputs (Q₀ to Q₃) and master reset (MR).

When the two data enable inputs (\bar{E}_1 and \bar{E}_2) are LOW, the data on the D_n inputs is loaded into the register

synchronously with the LOW-to-HIGH clock (CP) transition. When one or both \bar{E}_n inputs are HIGH one set-up time prior to the LOW-to-HIGH clock transition, the register will retain the previous data. Data inputs and clock enable inputs are fully edge-triggered and must be stable only one set-up time prior to the LOW-to-HIGH clock transition.

The master reset input (MR) is an active HIGH asynchronous input. When MR is HIGH, all four flip-flops are reset (cleared) independently of any other input condition.

The 3-state output buffers are controlled by a 2-input NOR gate. When both output enable inputs (\bar{OE}_1 and \bar{OE}_2) are LOW, the data in the register is presented to the Q_n outputs. When one or both \bar{OE}_n inputs are HIGH, the outputs are forced to a high impedance OFF-state. The 3-state output buffers are completely independent of the register operation; the \bar{OE}_n transition does not affect the clock and reset operations.

QUICK REFERENCE DATA

GND = 0 V; T_{amb} = 25 °C; t_r = t_f = 6 ns

| SYMBOL | PARAMETER | CONDITIONS | TYPICAL | | UNIT |
|-------------------------------------|-------------------------------------------------------------------|-----------------------------------------------|---------|-----|------|
| | | | HC | HCT | |
| t _{PHL} / t _{PLH} | propagation delay CP to Q _n MR to Q _n | C _L = 15 pF; V _{CC} = 5 V | 17 | 17 | ns |
| | | | 13 | 17 | ns |
| f _{max} | maximum clock frequency | | 88 | 88 | MHz |
| C _I | input capacitance | | 3.5 | 3.5 | pF |
| C _{PD} | power dissipation capacitance per flip-flop | notes 1 and 2 | 20 | 20 | pF |

Notes

1. C_{PD} is used to determine the dynamic power dissipation (P_D in μW):

$$P_D = C_{PD} \times V_{CC}^2 \times f_i + \sum (C_L \times V_{CC}^2 \times f_o) \text{ where:}$$

f_i = input frequency in MHz

f_o = output frequency in MHz

$\sum (C_L \times V_{CC}^2 \times f_o)$ = sum of outputs

C_L = output load capacitance in pF

V_{CC} = supply voltage in V

2. For HC the condition is V_I = GND to V_{CC}
For HCT the condition is V_I = GND to V_{CC} - 1.5 V

ORDERING INFORMATION

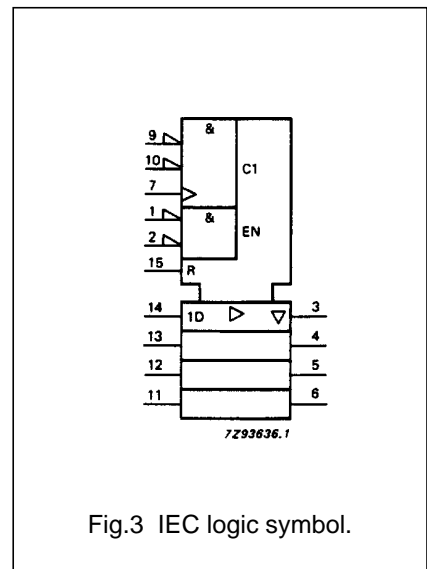
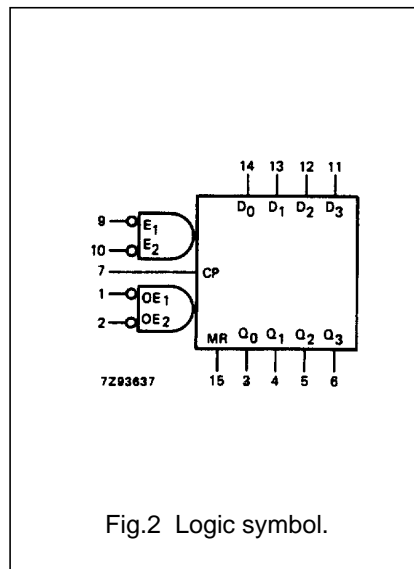
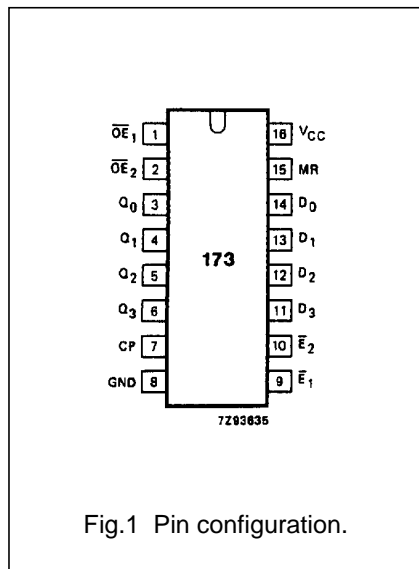
See "74HC/HCT/HCU/HCMOS Logic Package Information".

Quad D-type flip-flop; positive-edge trigger; 3-state

74HC/HCT173

PIN DESCRIPTION

| PIN NO. | SYMBOL | NAME AND FUNCTION |
|----------------|------------------------------------|-------------------------------------------|
| 1, 2 | $\overline{OE}_1, \overline{OE}_2$ | output enable input (active LOW) |
| 3, 4, 5, 6 | Q_0 to Q_3 | 3-state flip-flop outputs |
| 7 | CP | clock input (LOW-to-HIGH, edge-triggered) |
| 8 | GND | ground (0 V) |
| 9, 10 | $\overline{E}_1, \overline{E}_2$ | data enable inputs (active LOW) |
| 14, 13, 12, 11 | D_0 to D_3 | data inputs |
| 15 | MR | asynchronous master reset (active HIGH) |
| 16 | V_{CC} | positive supply voltage |



Quad D-type flip-flop; positive-edge trigger; 3-state

74HC/HCT173

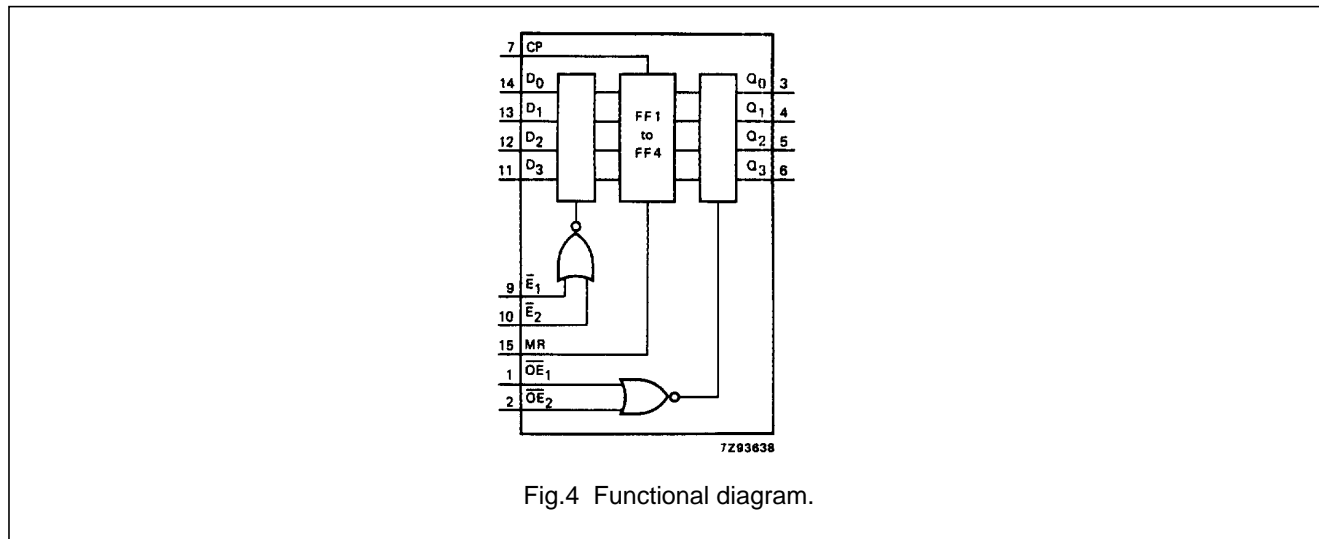


Fig.4 Functional diagram.

FUNCTION TABLE

| REGISTER OPERATING MODES | INPUTS | | | | | OUTPUTS |
|--------------------------|--------|----|-------------|-------------|-------|------------------|
| | MR | CP | \bar{E}_1 | \bar{E}_2 | D_n | Q_n (register) |
| reset (clear) | H | X | X | X | X | L |
| parallel load | L | ↑ | l | l | l | L |
| | L | ↑ | l | l | h | H |
| hold (no change) | L | X | h | X | X | q_n |
| | L | X | X | h | X | q_n |

| 3-STATE BUFFER OPERATING MODES | INPUTS | | | OUTPUTS | | | |
|--------------------------------|------------------|-------------------|-------------------|---------|-------|-------|-------|
| | Q_n (register) | \overline{OE}_1 | \overline{OE}_2 | Q_0 | Q_1 | Q_2 | Q_3 |
| read | L | L | L | L | L | L | L |
| | H | L | L | H | H | H | H |
| disabled | X | H | X | Z | Z | Z | Z |
| | X | X | H | Z | Z | Z | Z |

Notes

- H = HIGH voltage level
 h = HIGH voltage level one set-up time prior to the LOW-to-HIGH CP transition
 L = LOW voltage level
 l = LOW voltage level one set-up time prior to the LOW-to-HIGH CP transition
 q = lower case letters indicate the state of the referenced input (or output)
 one set-up time prior to the LOW-to-HIGH CP transition
 X = don't care
 Z = high impedance OFF-state
 ↑ = LOW-to-HIGH CP transition

Quad D-type flip-flop; positive-edge trigger; 3-state

74HC/HCT173

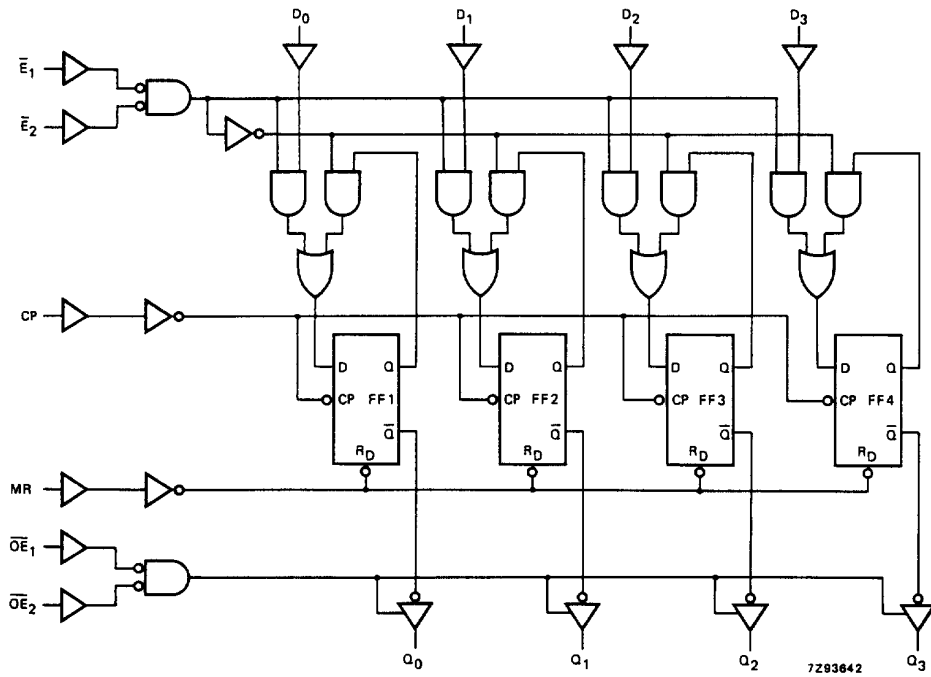


Fig.5 Logic diagram.

Quad D-type flip-flop; positive-edge trigger; 3-state

74HC/HCT173

DC CHARACTERISTICS FOR 74HC

For the DC characteristics see *"74HC/HCT/HCU/HCMOS Logic Family Specifications"*.

Output capability: bus driver

I_{CC} category: MSI

AC CHARACTERISTICS FOR 74HC

GND = 0 V; t_r = t_f = 6 ns; C_L = 50 pF

| SYMBOL | PARAMETER | T _{amb} (°C) | | | | | | UNIT | TEST CONDITIONS | | |
|-------------------------------------|--------------------------------------------------------------------|-----------------------|----------------|-----------------|-----------------|-----------------|-----------------|-----------------|------------------------|-------------------|-------|
| | | 74HC | | | | | | | V _{CC} (V) | WAVEFORMS | |
| | | +25 | | | -40 to +85 | | -40 to +125 | | | | |
| | | min. | typ. | max. | min. | max. | min. | | | | max. |
| t _{PHL} / t _{PLH} | propagation delay CP to Q _n | | 55 20 16 | 175 35 30 | | 220 44 37 | | 265 53 45 | ns | 2.0 4.5 6.0 | Fig.6 |
| t _{PHL} | propagation delay MR to Q _n | | 44 16 13 | 150 30 26 | | 190 38 33 | | 225 45 38 | ns | 2.0 4.5 6.0 | Fig.7 |
| t _{PZH} / t _{PZL} | 3-state output enable time \overline{OE}_n to Q _n | | 52 19 15 | 150 30 26 | | 190 38 33 | | 225 45 38 | ns | 2.0 4.5 6.0 | Fig.8 |
| t _{PHZ} / t _{PLZ} | 3-state output disable time \overline{OE}_n to Q _n | | 52 19 15 | 150 30 26 | | 190 38 33 | | 225 45 38 | ns | 2.0 4.5 6.0 | Fig.8 |
| t _{THL} / t _{TLH} | output transition time | | 14 5 4 | 60 12 10 | | 75 15 13 | | 90 18 15 | ns | 2.0 4.5 6.0 | Fig.6 |
| t _w | clock pulse width HIGH or LOW | 80 16 14 | 14 5 4 | | 100 20 17 | | 120 24 20 | | ns | 2.0 4.5 6.0 | Fig.6 |
| t _w | master reset pulse width; HIGH | 80 16 14 | 14 5 4 | | 100 20 17 | | 120 24 20 | | ns | 2.0 4.5 6.0 | Fig.7 |
| t _{rem} | removal time MR to CP | 60 12 10 | -8 -3 -2 | | 75 15 13 | | 90 18 15 | | ns | 2.0 4.5 6.0 | Fig.7 |
| t _{su} | set-up time \overline{E}_n to CP | 100 20 17 | 33 12 10 | | 125 25 21 | | 150 30 26 | | ns | 2.0 4.5 6.0 | Fig.9 |
| t _{su} | set-up time D _n to CP | 60 12 10 | 17 6 5 | | 75 15 13 | | 90 18 15 | | ns | 2.0 4.5 6.0 | Fig.9 |

Quad D-type flip-flop; positive-edge trigger; 3-state

74HC/HCT173

| SYMBOL | PARAMETER | T _{amb} (°C) | | | | | | | UNIT | TEST CONDITIONS | |
|------------------|-----------------------------------|-----------------------|------|------|------------|------|-------------|------|------|------------------------|-----------|
| | | 74HC | | | | | | | | V _{CC} (V) | WAVEFORMS |
| | | +25 | | | -40 to +85 | | -40 to +125 | | | | |
| | | min. | typ. | max. | min. | max. | min. | max. | | | |
| t _h | hold time E _n to CP | 0 | -17 | | 0 | | 0 | | ns | 2.0 | Fig.9 |
| | | 0 | -6 | | 0 | | 0 | | | 4.5 | |
| | | 0 | -5 | | 0 | | 0 | | | 6.0 | |
| t _h | hold time D _n to CP | 1 | -11 | | 1 | | 1 | | ns | 2.0 | Fig.9 |
| | | 1 | -4 | | 1 | | 1 | | | 4.5 | |
| | | 1 | -3 | | 1 | | 1 | | | 6.0 | |
| f _{max} | maximum clock pulse frequency | 6.0 | 26 | | 4.8 | | 4.0 | | MHz | 2.0 | Fig.6 |
| | | 30 | 80 | | 24 | | 20 | | | 4.5 | |
| | | 35 | 95 | | 28 | | 24 | | | 6.0 | |

Quad D-type flip-flop; positive-edge trigger; 3-state

74HC/HCT173

DC CHARACTERISTICS FOR 74HCT

For the DC characteristics see *"74HC/HCT/HCU/HCMOS Logic Family Specifications"*.

Output capability: bus driver

I_{CC} category: MSI

Note to HCT types

The value of additional quiescent supply current (ΔI_{CC}) for a unit load of 1 is given in the family specifications. To determine ΔI_{CC} per input, multiply this value by the unit load coefficient shown in the table below.

| INPUT | UNIT LOAD COEFFICIENT |
|------------------------------------|-----------------------|
| $\overline{OE}_1, \overline{OE}_2$ | 0.50 |
| MR | 0.60 |
| $\overline{E}_1, \overline{E}_2$ | 0.40 |
| D _n | 0.25 |
| CP | 1.00 |

Quad D-type flip-flop; positive-edge trigger; 3-state

74HC/HCT173

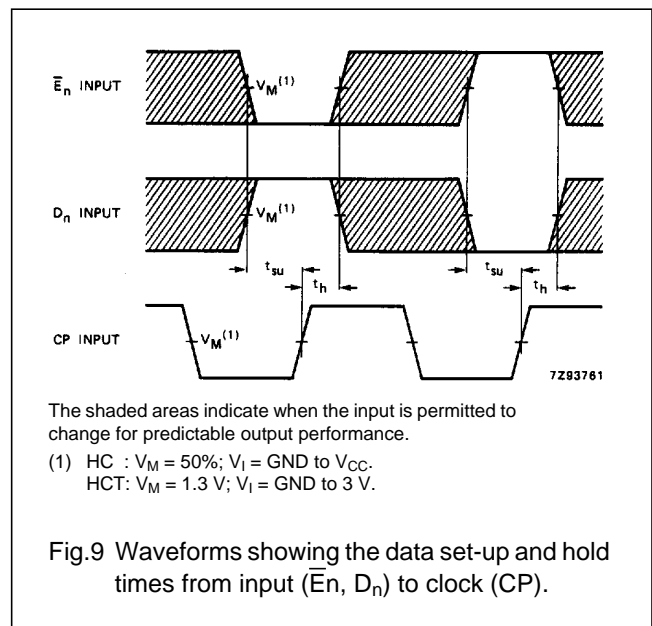
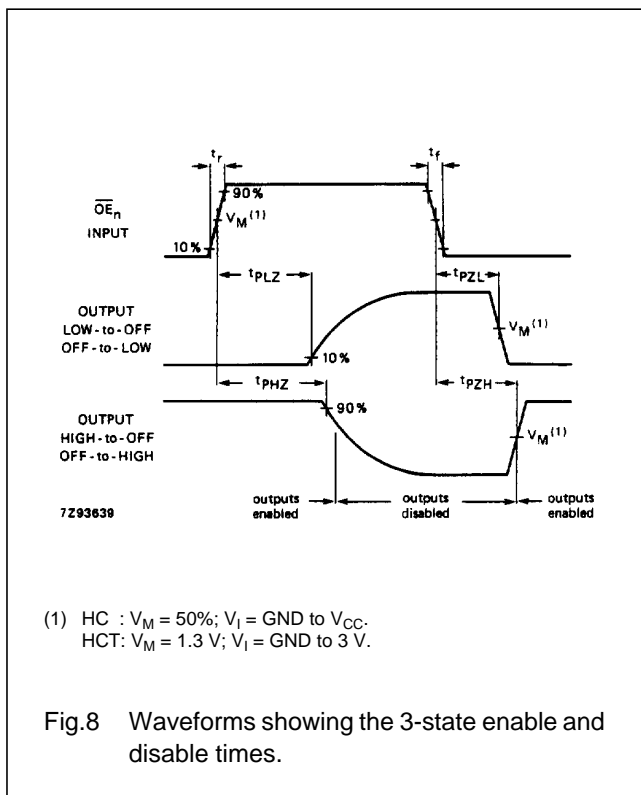
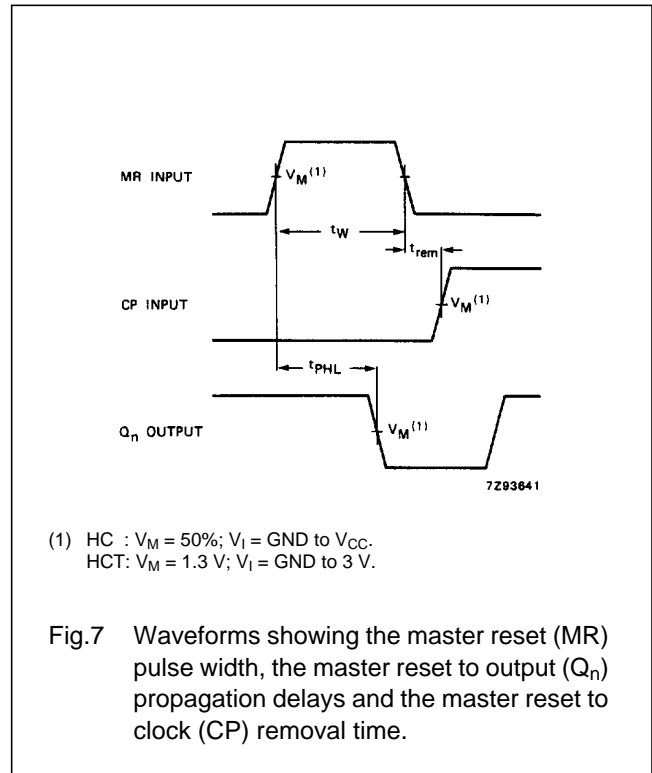
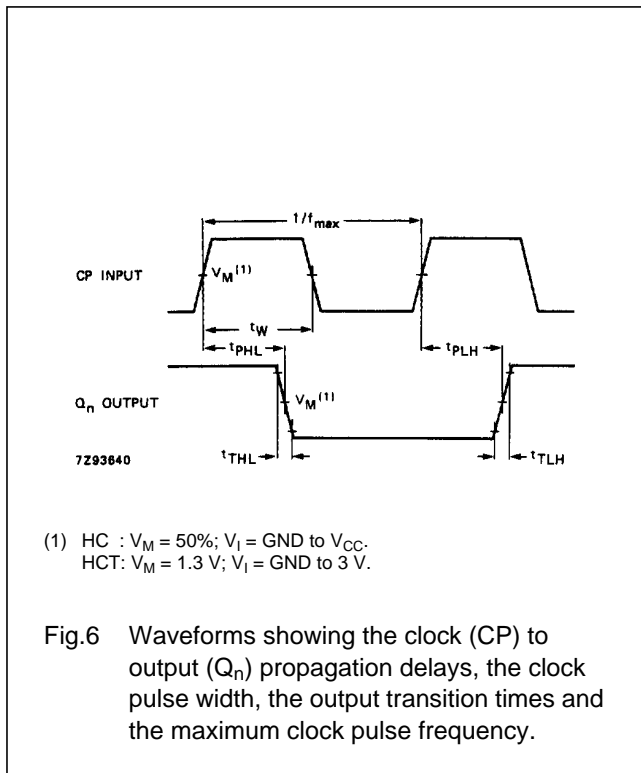
AC CHARACTERISTICS FOR 74HCTGND = 0 V; $t_r = t_f = 6$ ns; $C_L = 50$ pF

| SYMBOL | PARAMETER | T _{amb} (°C) | | | | | | UNIT | TEST CONDITIONS | | |
|-------------------------------------|--------------------------------------------------------------------|-----------------------|------|------|------------|------|-------------|------|------------------------|-----------|-------|
| | | 74HCT | | | | | | | V _{CC} (V) | WAVEFORMS | |
| | | +25 | | | -40 to +85 | | -40 to +125 | | | | |
| | | min. | typ. | max. | min. | max. | min. | | | | max. |
| t _{PHL} / t _{PLH} | propagation delay CP to Q _n | | 20 | 40 | | 50 | | 60 | ns | 4.5 | Fig.6 |
| t _{PHL} | propagation delay MR to Q _n | | 20 | 37 | | 46 | | 56 | ns | 4.5 | Fig.7 |
| t _{PZH} / t _{PZL} | 3-state output enable time \overline{OE}_n to Q _n | | 20 | 35 | | 44 | | 53 | ns | 4.5 | Fig.8 |
| t _{PHZ} / t _{PLZ} | 3-state output disable time \overline{OE}_n to Q _n | | 19 | 30 | | 38 | | 45 | ns | 4.5 | Fig.8 |
| t _{THL} / t _{TLH} | output transition time | | 5 | 12 | | 15 | | 19 | ns | 4.5 | Fig.6 |
| t _W | clock pulse width HIGH or LOW | 16 | 7 | | 20 | | 24 | | ns | 4.5 | Fig.6 |
| t _W | master reset pulse width; HIGH | 15 | 6 | | 19 | | 22 | | ns | 4.5 | Fig.7 |
| t _{rem} | removal time MR to CP | 12 | -2 | | 15 | | 18 | | ns | 4.5 | Fig.7 |
| t _{su} | set-up time \overline{E}_n to CP | 22 | 13 | | 28 | | 33 | | ns | 4.5 | Fig.9 |
| t _{su} | set-up time D _n to CP | 12 | 7 | | 15 | | 18 | | ns | 4.5 | Fig.9 |
| t _h | hold time \overline{E}_n to CP | 0 | -6 | | 0 | | 0 | | ns | 4.5 | Fig.9 |
| t _h | hold time D _n to CP | 0 | -3 | | 0 | | 0 | | ns | 4.5 | Fig.9 |
| f _{max} | maximum clock pulse frequency | 30 | 80 | | 24 | | 20 | | MHz | 4.5 | Fig.6 |

Quad D-type flip-flop; positive-edge trigger;
3-state

74HC/HCT173

AC WAVEFORMS



PACKAGE OUTLINES

See "74HC/HCT/HCU/HCMOS Logic Package Outlines".



Стандарт Электрон Связь

Мы молодая и активно развивающаяся компания в области поставок электронных компонентов. Мы поставляем электронные компоненты отечественного и импортного производства напрямую от производителей и с крупнейших складов мира.

Благодаря сотрудничеству с мировыми поставщиками мы осуществляем комплексные и плановые поставки широчайшего спектра электронных компонентов.

Собственная эффективная логистика и склад в обеспечивает надежную поставку продукции в точно указанные сроки по всей России.

Мы осуществляем техническую поддержку нашим клиентам и предпродажную проверку качества продукции. На все поставляемые продукты мы предоставляем гарантию .

Осуществляем поставки продукции под контролем ВП МО РФ на предприятия военно-промышленного комплекса России , а также работаем в рамках 275 ФЗ с открытием отдельных счетов в уполномоченном банке. Система менеджмента качества компании соответствует требованиям ГОСТ ISO 9001.

Минимальные сроки поставки, гибкие цены, неограниченный ассортимент и индивидуальный подход к клиентам являются основой для выстраивания долгосрочного и эффективного сотрудничества с предприятиями радиоэлектронной промышленности, предприятиями ВПК и научно-исследовательскими институтами России.

С нами вы становитесь еще успешнее!

Наши контакты:

Телефон: +7 812 627 14 35

Электронная почта: sales@st-electron.ru

Адрес: 198099, Санкт-Петербург,
Промышленная ул, дом № 19, литера Н,
помещение 100-Н Офис 331