

N-channel 1200 V, 0.62 Ω typ., 12 A MDmesh K5 Power MOSFETs
in H²PAK-2, TO-220, TO-247 and TO-247 long leads

Datasheet - production data

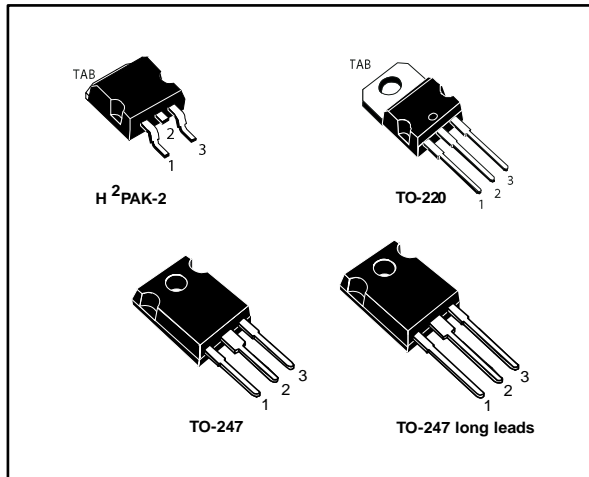
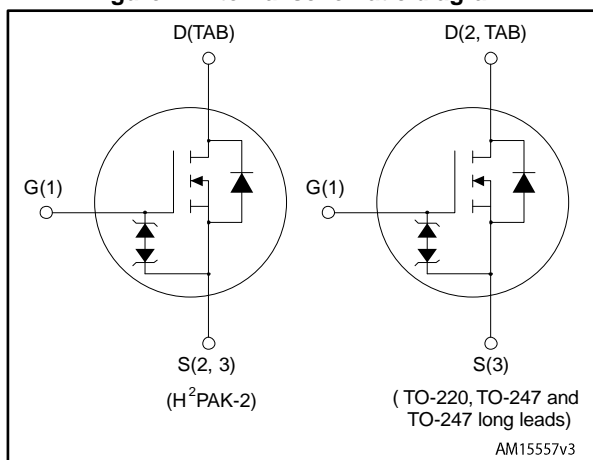


Figure 1: Internal schematic diagram



Features

Order codes	V _{DS}	R _{DS(on)} max.	I _D	P _{TOT}
STH12N120K5-2	1200 V	0.69 Ω	12 A	250 W
STP12N120K5				
STW12N120K5				
STWA12N120K5				

- Worldwide best FOM (figure of merit)
- Ultra-low gate charge
- 100% avalanche tested
- Zener-protected

Applications

- Switching applications

Description

These very high voltage N-channel Power MOSFETs are designed using MDmesh™ K5 technology based on an innovative proprietary vertical structure. The result is a dramatic reduction in on-resistance and ultra-low gate charge for applications requiring superior power density and high efficiency.

Table 1: Device summary

Order code	Marking	Package	Packing
STH12N120K5-2	12N120K5	H ² PAK-2	Tape and reel
STP12N120K5		TO-220	Tube
STW12N120K5		TO-247	
STWA12N120K5		TO-247 long leads	

Contents

1	Electrical ratings	3
2	Electrical characteristics	4
	2.1 Electrical characteristics (curves)	6
3	Test circuits	9
4	Package information	10
	4.1 H ² PAK-2 package information.....	11
	4.2 TO-220 type A package information.....	14
	4.3 TO-247 package information.....	16
	4.4 TO-247 long leads package information	18
5	Revision history	20

1 Electrical ratings

Table 2: Absolute maximum ratings

Symbol	Parameter	Value	Unit
V _{GS}	Gate-source voltage	± 30	V
I _D	Drain current at T _C = 25 °C	12	A
I _D	Drain current at T _C = 100 °C	7.6	A
I _{DM} ⁽¹⁾	Drain current (pulsed)	48	A
P _{TOT}	Total dissipation at T _C = 25 °C	250	W
I _{AR} ⁽²⁾	Max current during repetitive or single pulse avalanche	4	A
E _{AS} ⁽³⁾	Single pulse avalanche energy	215	mJ
dv/dt ⁽⁴⁾	Peak diode recovery voltage slope	4.5	V/ns
dv/dt ⁽⁵⁾	MOSFET dv/dt ruggedness	50	V/ns
T _j T _{stg}	Operating junction temperature Storage temperature	- 55 to 150	°C

Notes:

⁽¹⁾Pulse width limited by safe operating area.

⁽²⁾Pulse width limited by T_{Jmax}.

⁽³⁾Starting T_J = 25 °C, I_D=I_{AS}, V_{DD}= 50 V

⁽⁴⁾I_{SD} ≤ 12 A, di/dt ≤ 100 A/μs, V_{Peak} ≤ V_{(BR)DSS}

⁽⁵⁾V_{DS} ≤ 960 V

Table 3: Thermal data

Symbol	Parameter	Value			Unit
		H ² PAK-2	TO-220	TO-247 TO-247 long leads	
R _{thj-case}	Thermal resistance junction-case max	0.5			°C/W
R _{thj-amb}	Thermal resistance junction-amb max		62.5	50	°C/W
R _{thj-pcb}	Thermal resistance junction-pcb max	30			°C/W

2 Electrical characteristics

(T_{CASE} = 25 °C unless otherwise specified)

Table 4: On/off states

Symbol	Parameter	Test conditions	Min.	Typ.	Max.	Unit
V _{(BR)DSS}	Drain-source breakdown voltage	V _{GS} = 0 V, I _D = 1 mA	1200			V
I _{DSS}	Zero gate voltage drain current	V _{GS} = 0 V, V _{DS} = 1200 V			1	μA
		V _{GS} = 0, V _{DS} = 1200 V, T _C = 125 °C			50	μA
I _{GSS}	Gate body leakage current	V _{DS} = 0 V, V _{GS} = ± 20 V			±10	μA
V _{GS(th)}	Gate threshold voltage	V _{DS} = V _{GS} , I _D = 100 μA	3	4	5	V
R _{DS(on)}	Static drain-source on-resistance	V _{GS} = 10 V, I _D = 6 A		0.62	0.69	Ω

Table 5: Dynamic

Symbol	Parameter	Test conditions	Min.	Typ.	Max.	Unit
C _{iss}	Input capacitance	V _{GS} = 0 V, V _{DS} = 100 V, f = 1 MHz	-	1370	-	pF
C _{oss}	Output capacitance		-	110	-	pF
C _{rss}	Reverse transfer capacitance		-	0.6	-	pF
C _{o(tr)} ⁽¹⁾	Equivalent capacitance, time-related	V _{GS} = 0, V _{DS} = 0 to 960 V	-	128	-	pF
C _{o(er)} ⁽²⁾	Equivalent capacitance, energy-related		-	42	-	pF
R _G	Intrinsic gate resistance	f = 1 MHz, I _D = 0 A	-	3	-	Ω
Q _g	Total gate charge	V _{DD} = 960 V, I _D = 12 A	-	44.2	-	nC
Q _{gs}	Gate-source charge	V _{GS} = 10 V	-	7.3	-	nC
Q _{gd}	Gate-drain charge	(see Figure 18: "Gate charge test circuit")	-	30	-	nC

Notes:

⁽¹⁾Time-related is defined as a constant equivalent capacitance giving the same charging time as C_{oss} when V_{DS} increases from 0 to 80% V_{DSS}

⁽²⁾Energy-related is defined as a constant equivalent capacitance giving the same stored energy as C_{oss} when V_{DS} increases from 0 to 80% V_{DSS}

Table 6: Switching times

Symbol	Parameter	Test conditions	Min.	Typ.	Max.	Unit
$t_{d(on)}$	Turn-on delay time	$V_{DD} = 600\text{ V}$, $I_D = 6\text{ A}$, $R_G = 4.7\ \Omega$, $V_{GS} = 10\text{ V}$ (see Figure 20: "Unclamped inductive load test circuit")	-	23	-	ns
t_r	Rise time		-	11	-	ns
$t_{d(off)}$	Turn-off delay time		-	68.5	-	ns
t_f	Fall time		-	18.5	-	ns

Table 7: Source drain diode

Symbol	Parameter	Test conditions	Min.	Typ.	Max.	Unit
I_{SD}	Source-drain current		-		12	A
I_{SDM}	Source-drain current (pulsed)		-		48	A
$V_{SD}^{(1)}$	Forward on voltage	$I_{SD} = 12\text{ A}$, $V_{GS} = 0\text{ V}$	-		1.5	V
t_{rr}	Reverse recovery time	$I_{SD} = 12\text{ A}$, $V_{DD} = 60\text{ V}$ $di/dt = 100\text{ A}/\mu\text{s}$, (see Figure 19: "Test circuit for inductive load switching and diode recovery times")	-	630		ns
Q_{rr}	Reverse recovery charge		-	12.6		μC
I_{RRM}	Reverse recovery current		-	40		A
t_{rr}	Reverse recovery time	$I_{SD} = 12\text{ A}$, $V_{DD} = 60\text{ V}$ $di/dt = 100\text{ A}/\mu\text{s}$, $T_j = 150\text{ }^\circ\text{C}$ (see Figure 19: "Test circuit for inductive load switching and diode recovery times")	-	892		ns
Q_{rr}	Reverse recovery charge		-	15.6		μC
I_{RRM}	Reverse recovery current		-	35		A

Notes:

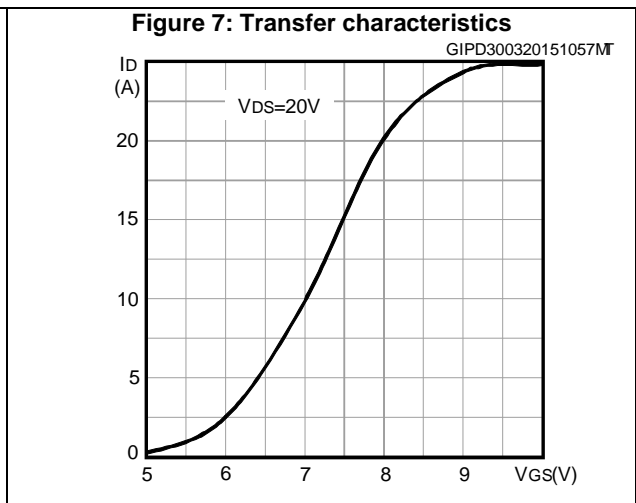
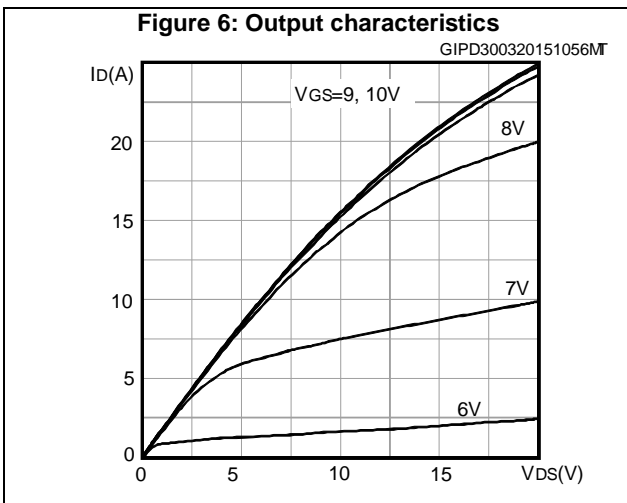
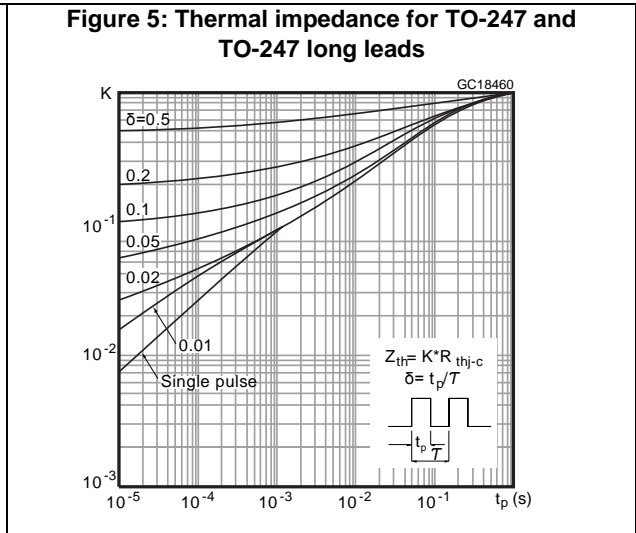
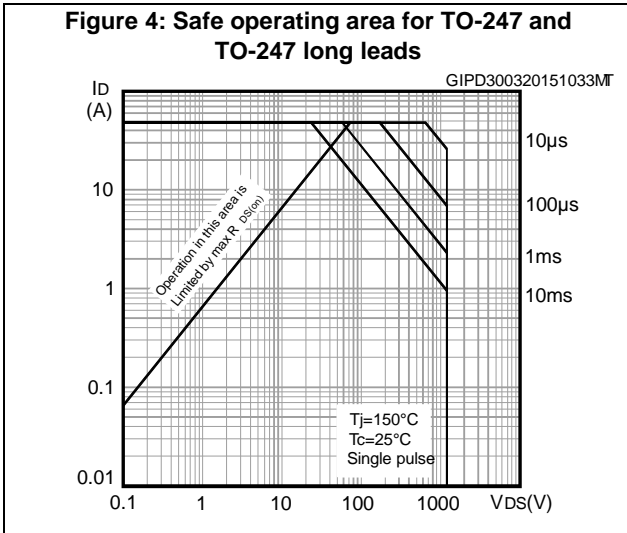
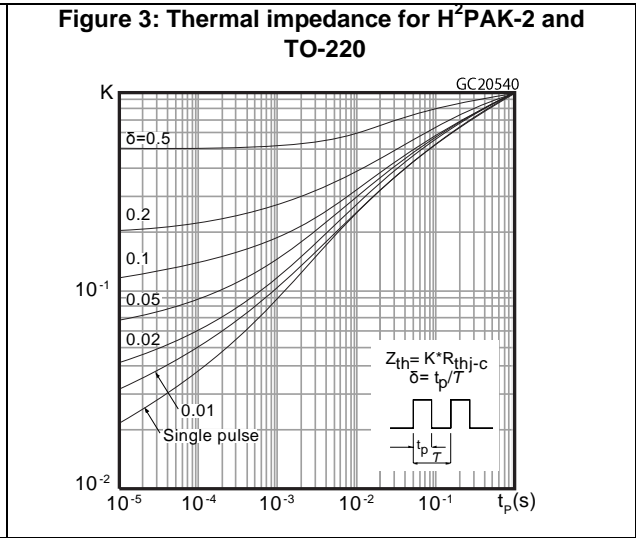
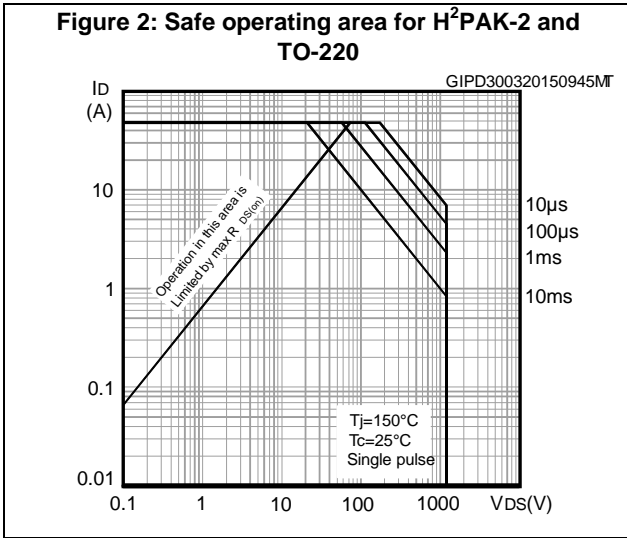
⁽¹⁾Pulsed: pulse duration = 300 μs , duty cycle 1.5%

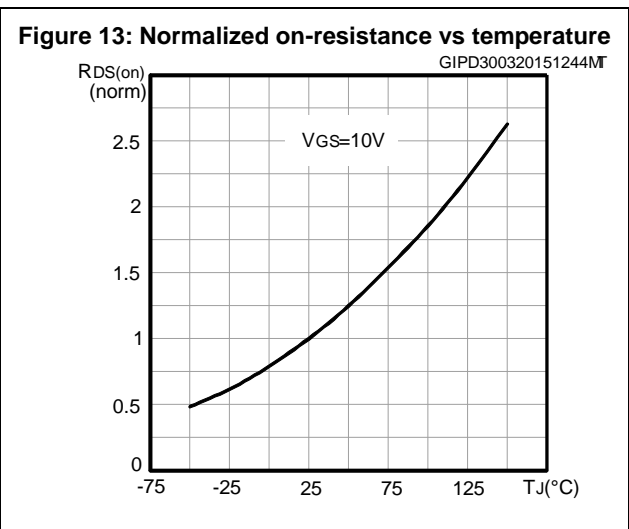
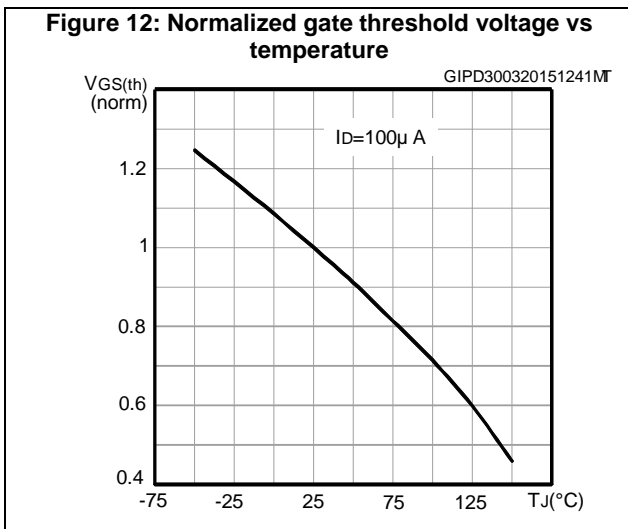
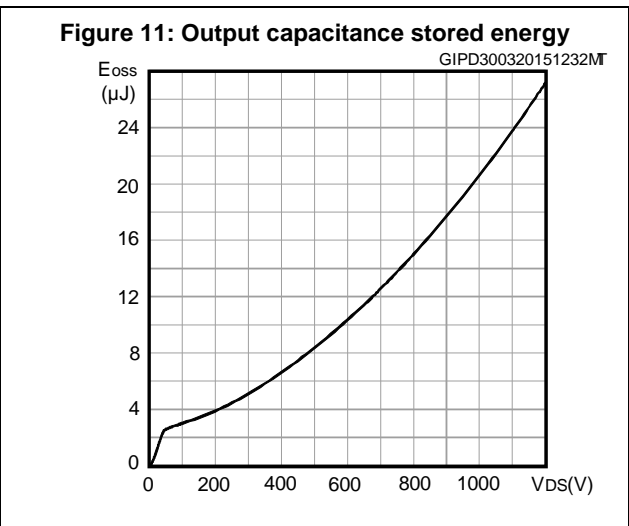
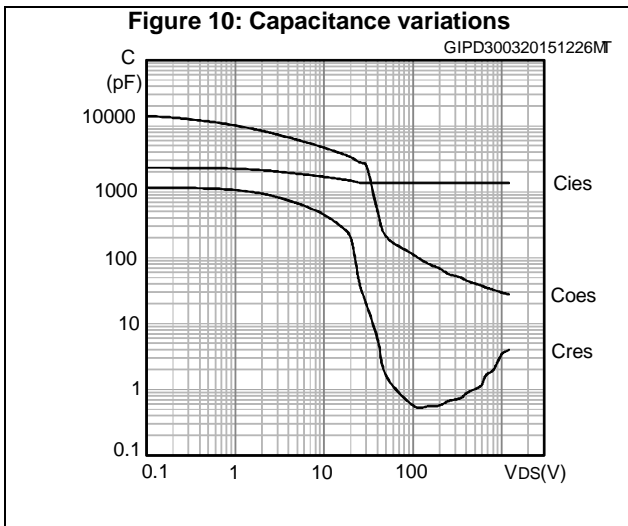
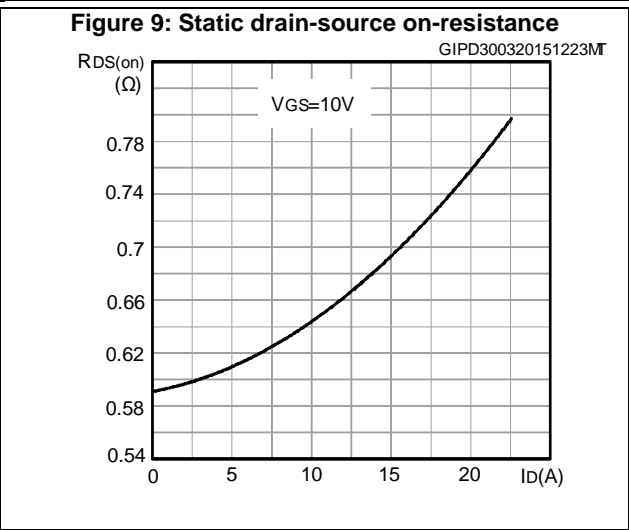
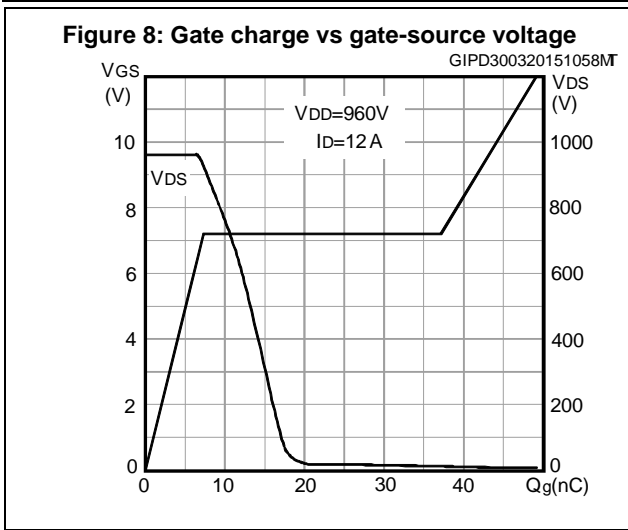
Table 8: Gate-source Zener diode

Symbol	Parameter	Test conditions	Min	Typ.	Max.	Unit
$V_{(BR)GSO}$	Gate-source breakdown voltage	$I_{GS} = \pm 1\text{ mA}$, $I_D = 0\text{ A}$	30	-		V

The built-in back-to-back Zener diodes have been specifically designed to enhance the ESD capability of the device. The Zener voltage is appropriate for efficient and cost-effective intervention to protect the device integrity. These integrated Zener diodes thus eliminate the need for external components.

2.1 Electrical characteristics (curves)





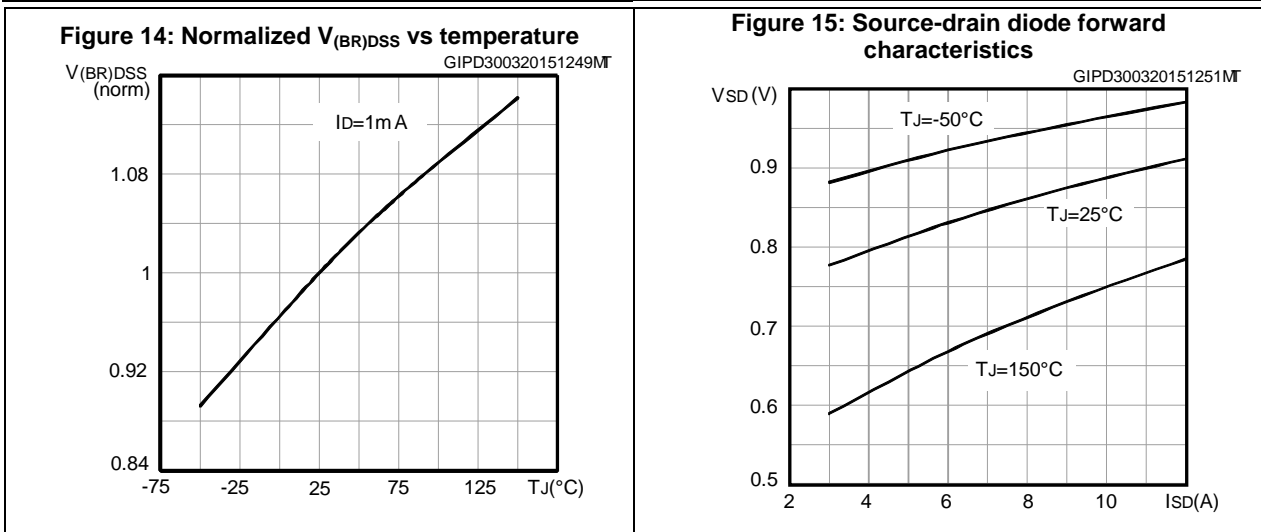
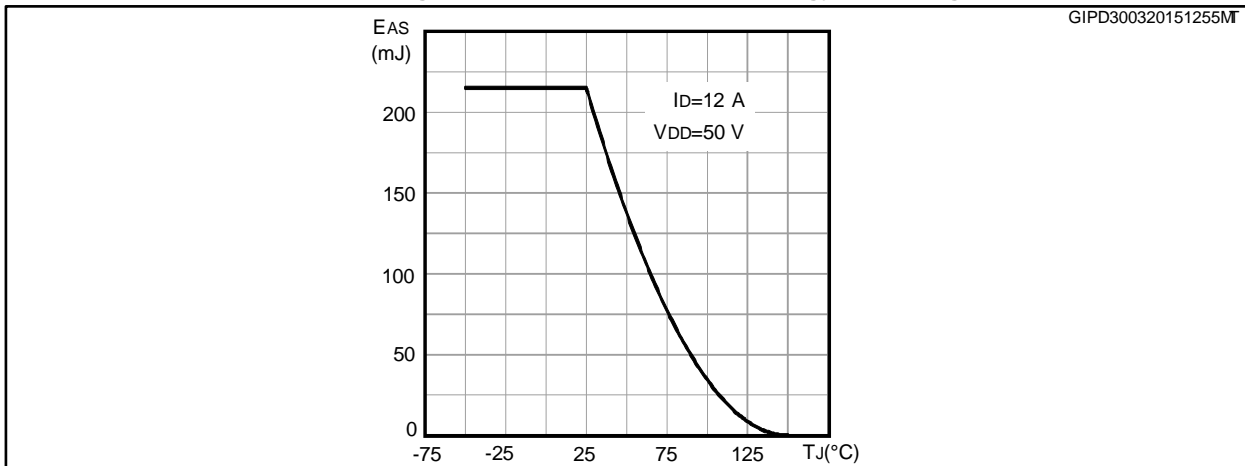
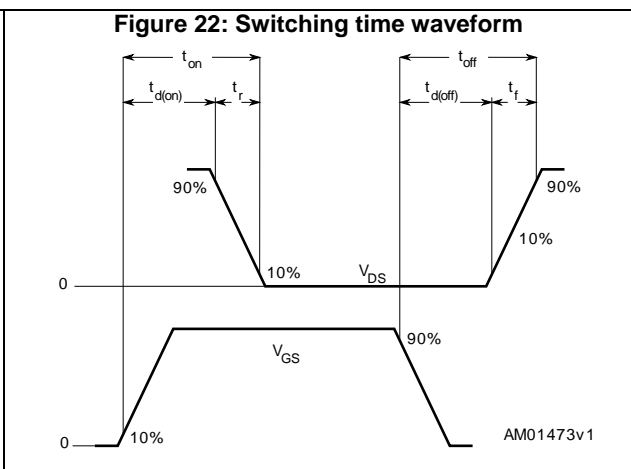
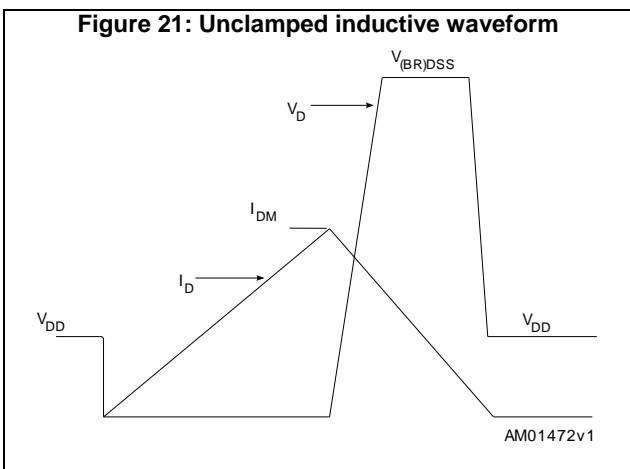
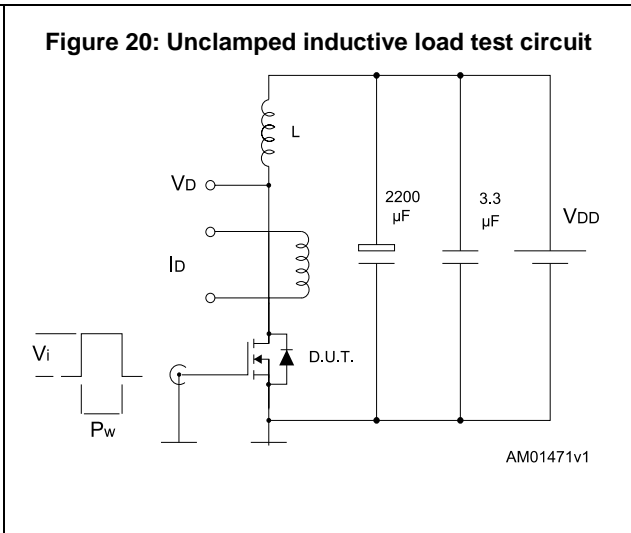
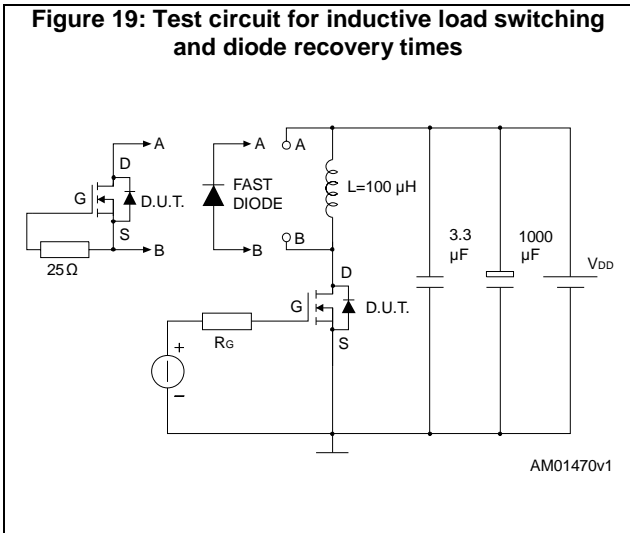
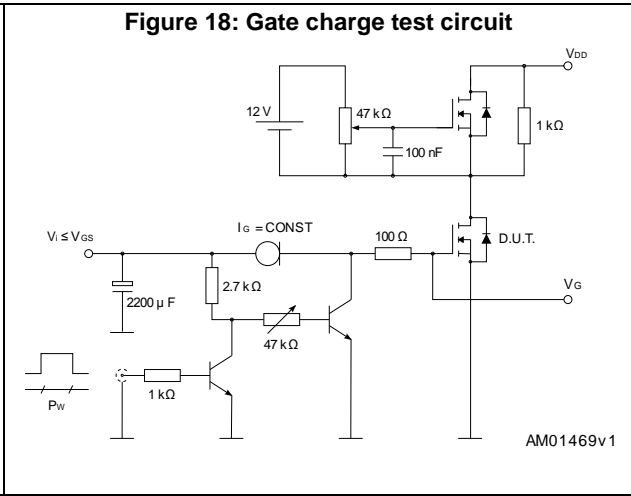
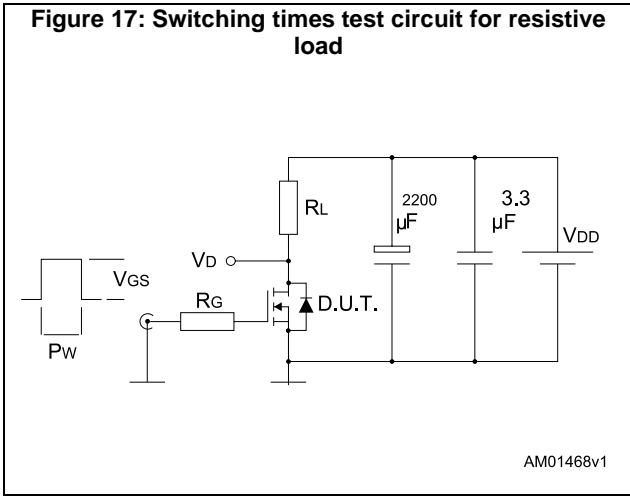


Figure 16: Maximum avalanche energy vs starting T_J



3 Test circuits



4 Package information

In order to meet environmental requirements, ST offers these devices in different grades of ECOPACK[®] packages, depending on their level of environmental compliance. ECOPACK[®] specifications, grade definitions and product status are available at: www.st.com. ECOPACK[®] is an ST trademark.

4.1 H²PAK-2 package information

Figure 23: H²PAK-2 package outline

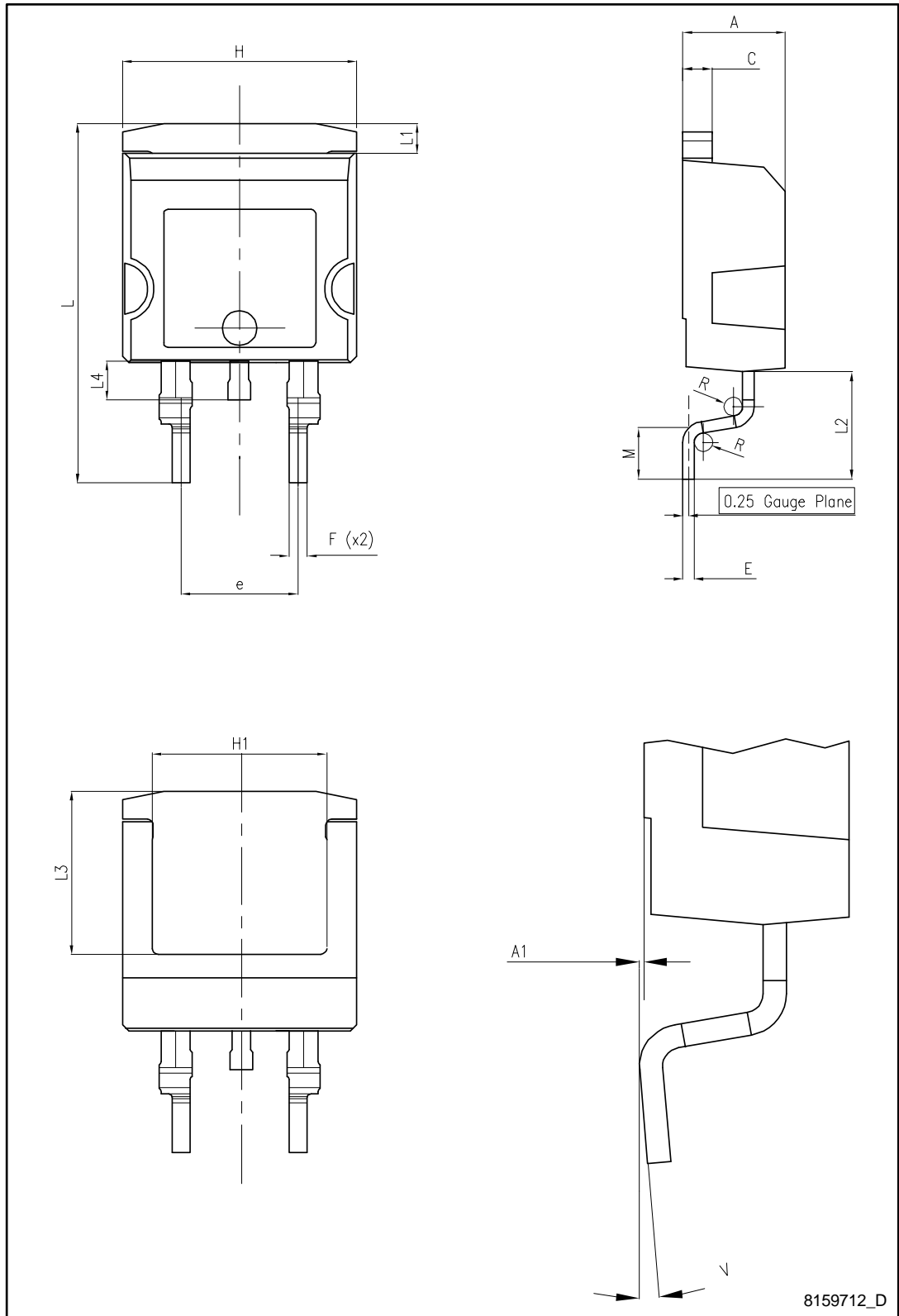
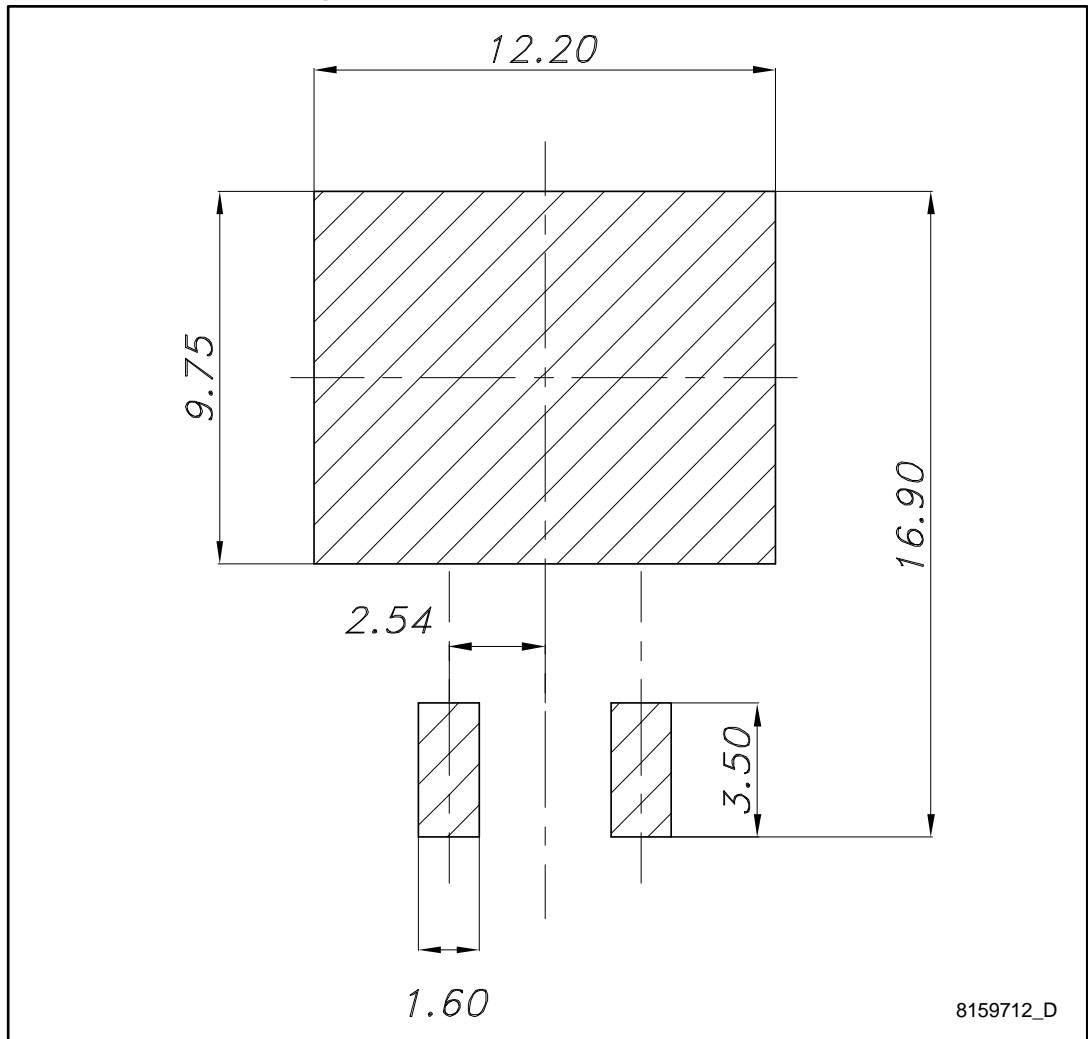


Table 9: H²PAK-2 mechanical data

Dim.	mm		
	Min.	Typ.	Max.
A	4.30		4.80
A1	0.03		0.20
C	1.17		1.37
e	4.98		5.18
E	0.50		0.90
F	0.78		0.85
H	10.00		10.40
H1	7.40		7.80
L	15.30		15.80
L1	1.27		1.40
L2	4.93		5.23
L3	6.85		7.25
L4	1.5		1.7
M	2.6		2.9
R	0.20		0.60
V	0°		8°

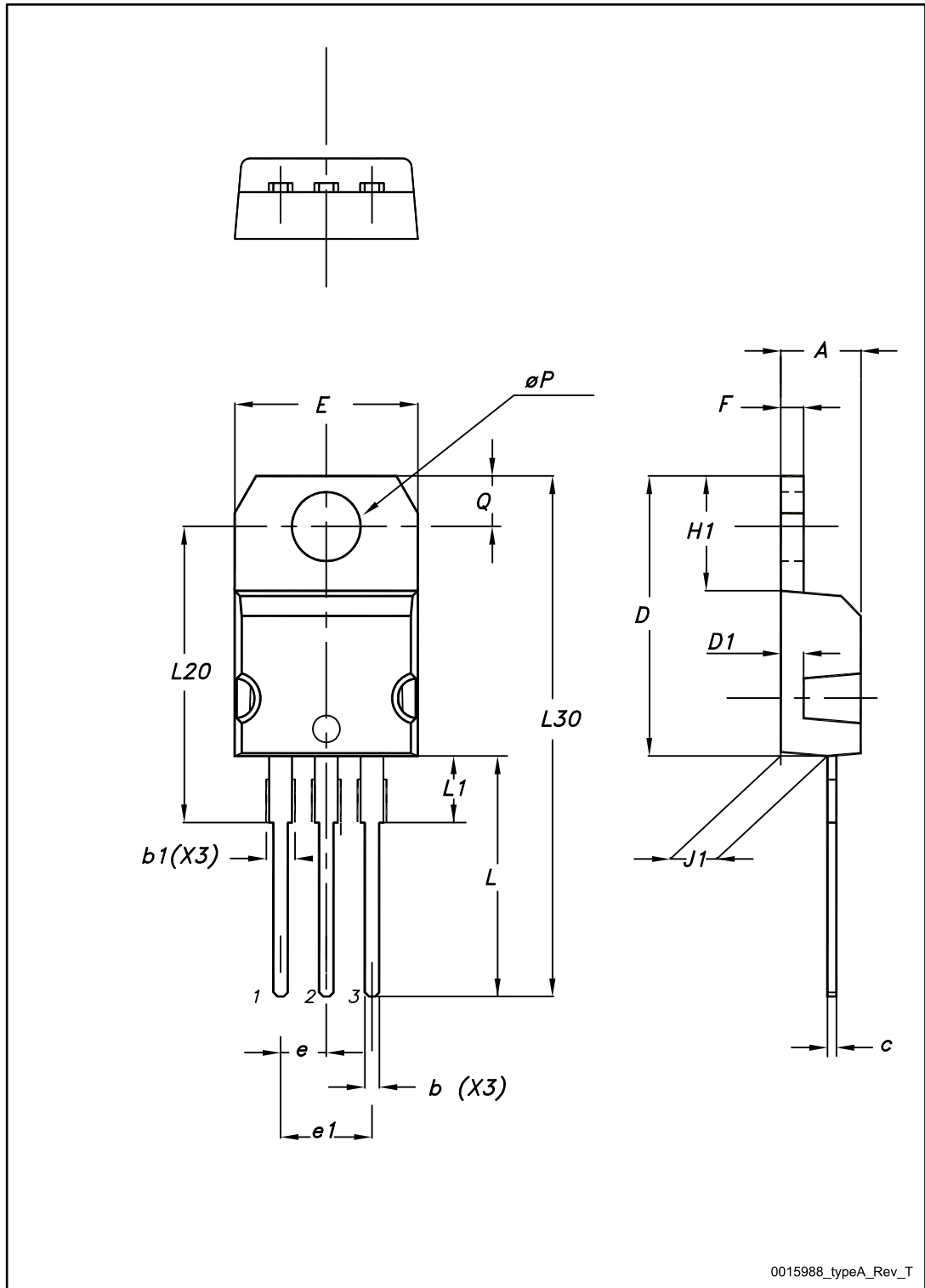
Figure 24: H²PAK-2 recommended footprint



8159712_D

4.2 TO-220 type A package information

Figure 25: TO-220 type A package outline



0015988_typeA_Rev_T

Table 10: TO-220 type A mechanical data

Dim.	mm		
	Min.	Typ.	Max.
A	4.40		4.60
b	0.61		0.88
b1	1.14		1.70
c	0.48		0.70
D	15.25		15.75
D1		1.27	
E	10		10.40
e	2.40		2.70
e1	4.95		5.15
F	1.23		1.32
H1	6.20		6.60
J1	2.40		2.72
L	13		14
L1	3.50		3.93
L20		16.40	
L30		28.90	
øP	3.75		3.85
Q	2.65		2.95

4.3 TO-247 package information

Figure 26: TO-247 package outline

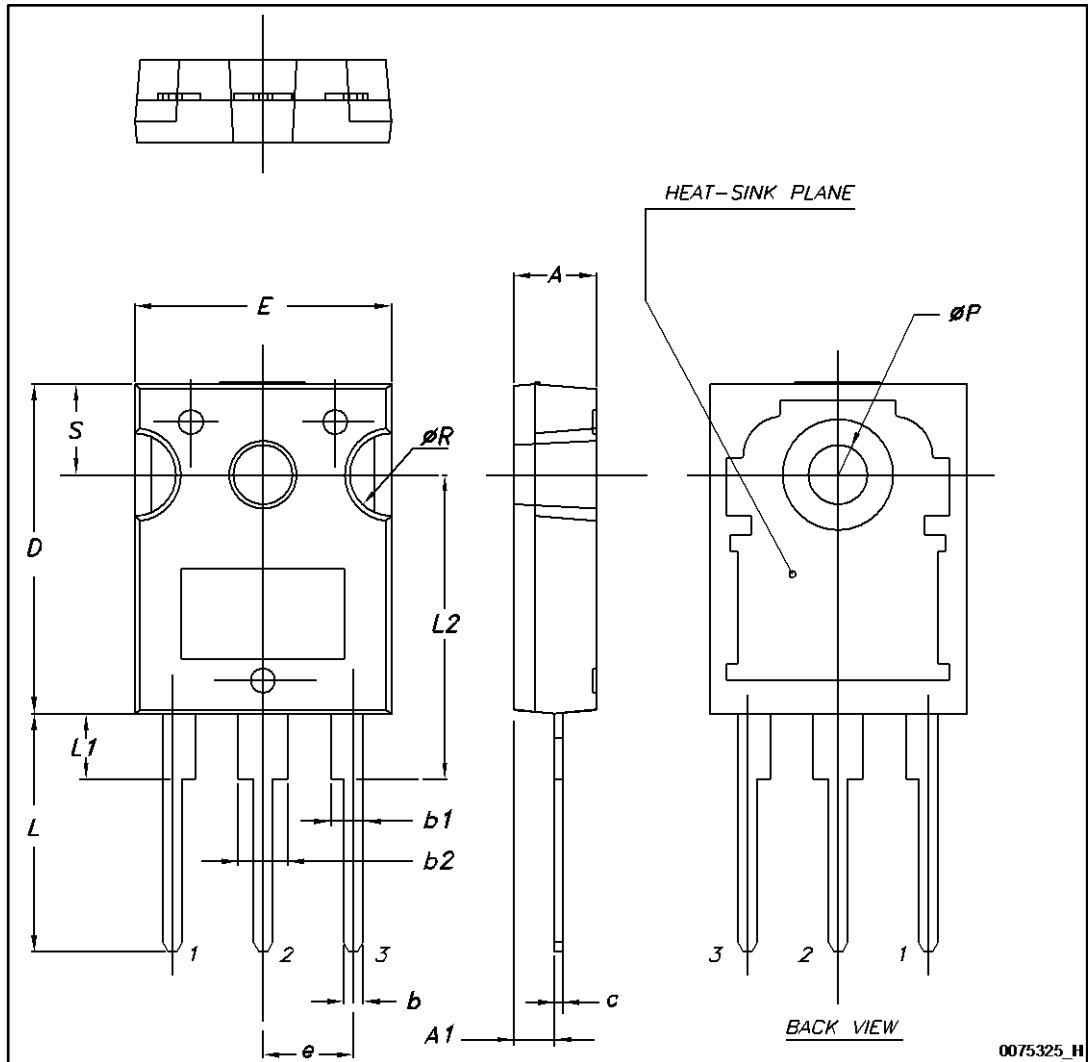
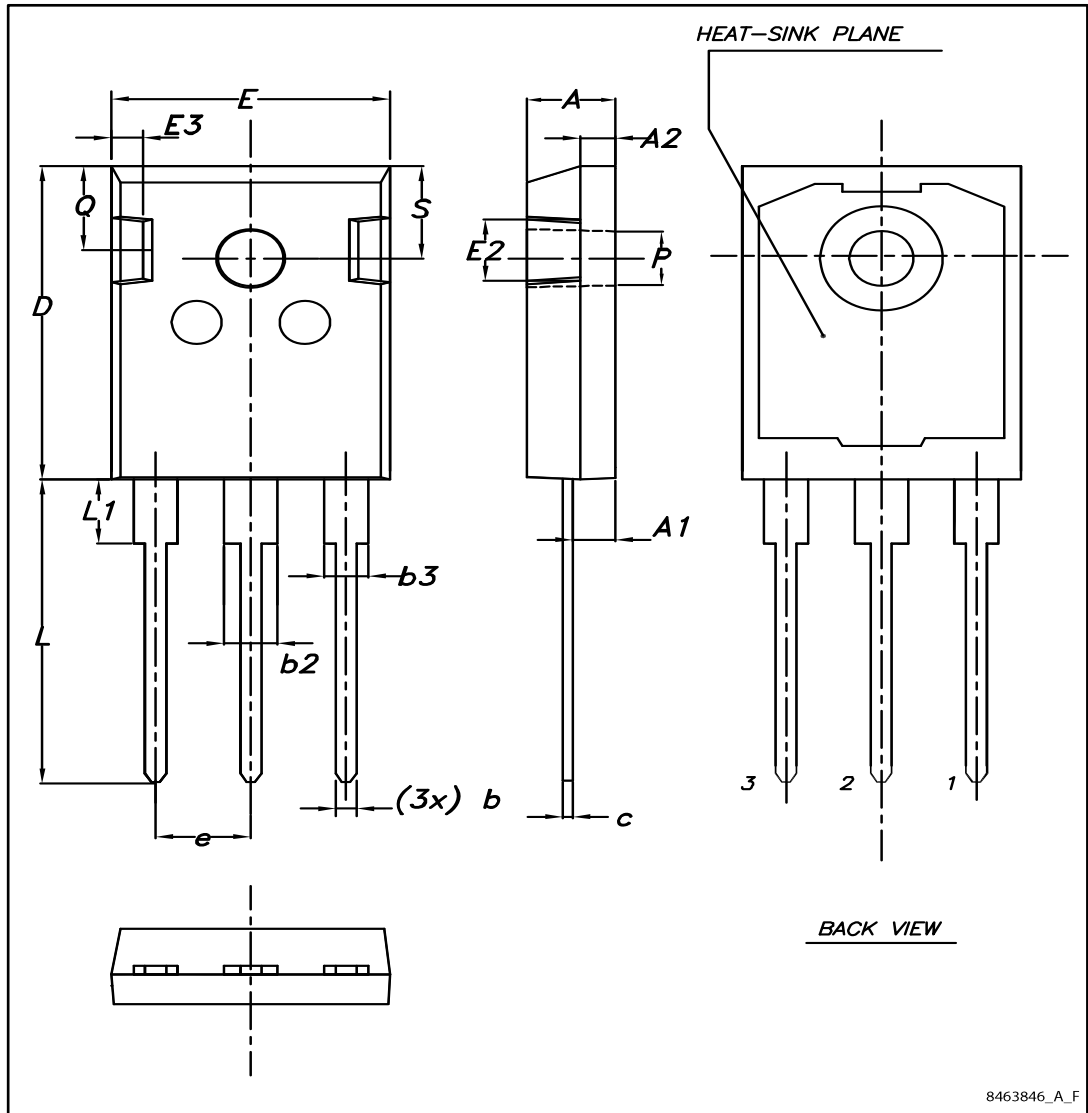


Table 11: TO-247 mechanical data

Dim.	mm.		
	Min.	Typ.	Max.
A	4.85		5.15
A1	2.20		2.60
b	1.0		1.40
b1	2.0		2.40
b2	3.0		3.40
c	0.40		0.80
D	19.85		20.15
E	15.45		15.75
e	5.30	5.45	5.60
L	14.20		14.80
L1	3.70		4.30
L2		18.50	
ØP	3.55		3.65
ØR	4.50		5.50
S	5.30	5.50	5.70

4.4 TO-247 long leads package information

Figure 27: TO-247 long leads package outline



8463846_A_F

Table 12: TO-247 long leads mechanical data

Dim.	mm.		
	Min.	Typ.	Max.
A	4.90	5.00	5.10
A1	2.31	2.41	2.51
A2	1.90	2.00	2.10
b	1.16		1.26
b2			3.25
b3			2.25
c	0.59		0.66
D	20.90	21.00	21.10
E	15.70	15.80	15.90
E2	4.90	5.00	5.10
E3	2.40	2.50	2.60
e	5.34	5.44	5.54
L	19.80	19.92	20.10
L1			4.30
P	3.50	3.60	3.70
Q	5.60		6.00
S	6.05	6.15	6.25

5 Revision history

Table 13: Document revision history

Date	Revision	Changes
23-Aug-2011	1	First release.
17-Jan-2013	2	<ul style="list-style-type: none"> • Minor text changes • Added: H²PAK package • The part number STB12N120K5 has been moved to a separate datasheet • Updated: • Updated: mechanical data for TO-247 package
16-May-2014	3	<ul style="list-style-type: none"> • The part numbers STFW12N120K5 has been moved to a separate datasheet • Added: TO-247 long leads package • Modified: I_{AR}, E_{AS}, dv/dt values in Table 2: "Absolute maximum ratings" • Modified: the entire typical values in Table 5: "Dynamic", Table 6: "Switching times" and Table 7: "Source drain diode" • Added: Section 2.1: "Electrical characteristics (curves)" • Minor text changes
08-Apr-2015	4	<p>Updated title, silhouette and description in cover page. Updated Table 4: "On/off states", Table 5: "Dynamic", Figure 9: "Static drain-source on-resistance" and Figure 10: "Capacitance variations".</p> <p>Minor text change.</p>

IMPORTANT NOTICE – PLEASE READ CAREFULLY

STMicroelectronics NV and its subsidiaries (“ST”) reserve the right to make changes, corrections, enhancements, modifications, and improvements to ST products and/or to this document at any time without notice. Purchasers should obtain the latest relevant information on ST products before placing orders. ST products are sold pursuant to ST’s terms and conditions of sale in place at the time of order acknowledgement.

Purchasers are solely responsible for the choice, selection, and use of ST products and ST assumes no liability for application assistance or the design of Purchasers’ products.

No license, express or implied, to any intellectual property right is granted by ST herein.

Resale of ST products with provisions different from the information set forth herein shall void any warranty granted by ST for such product.

ST and the ST logo are trademarks of ST. All other product or service names are the property of their respective owners.

Information in this document supersedes and replaces information previously supplied in any prior versions of this document.

© 2015 STMicroelectronics – All rights reserved



Стандарт Электрон Связь

Мы молодая и активно развивающаяся компания в области поставок электронных компонентов. Мы поставляем электронные компоненты отечественного и импортного производства напрямую от производителей и с крупнейших складов мира.

Благодаря сотрудничеству с мировыми поставщиками мы осуществляем комплексные и плановые поставки широчайшего спектра электронных компонентов.

Собственная эффективная логистика и склад в обеспечивает надежную поставку продукции в точно указанные сроки по всей России.

Мы осуществляем техническую поддержку нашим клиентам и предпродажную проверку качества продукции. На все поставляемые продукты мы предоставляем гарантию .

Осуществляем поставки продукции под контролем ВП МО РФ на предприятия военно-промышленного комплекса России , а также работаем в рамках 275 ФЗ с открытием отдельных счетов в уполномоченном банке. Система менеджмента качества компании соответствует требованиям ГОСТ ISO 9001.

Минимальные сроки поставки, гибкие цены, неограниченный ассортимент и индивидуальный подход к клиентам являются основой для выстраивания долгосрочного и эффективного сотрудничества с предприятиями радиоэлектронной промышленности, предприятиями ВПК и научно-исследовательскими институтами России.

С нами вы становитесь еще успешнее!

Наши контакты:

Телефон: +7 812 627 14 35

Электронная почта: sales@st-electron.ru

Адрес: 198099, Санкт-Петербург,
Промышленная ул, дом № 19, литера Н,
помещение 100-Н Офис 331