



## Industrial USB Plugs and Receptacles

- 84727** Plug, Type-A
- 84728** Plug, Type-B
- 84729** Receptacle, Type-A
- 84730** Receptacle, Type-B
- 84732** Double-Ended Cordset



Top, Left to right: Double-Ended Cordset, USB Type-B Plug to Type-A Plug (84732)

Bottom: USB Type-B Panel Mount PCB Receptacle (84730)

*Industrial USB connectors bring one of the most popular and convenient I/O connectors into harsh commercial and industrial environments*

Molex's sealed, industrial Universal Serial Bus (USB) connectors are ideal for industrial and harsh commercial applications, where a secure and robust connection is required. The rugged, plug and receptacle designs feature bayonet-style latches, encapsulated PCB receptacles and overmolded cable assemblies to help keep out dust, debris and water.

Many industrial devices and networks use a direct interface to a PC for programming, monitoring, data collection and diagnostics of the industrial bus. USB connectors are ideal for both short-term diagnostics that require simple and fast setup, and permanent

installations for data acquisition systems. Once software has been installed, USB plugs and receptacles can be quickly connected and disconnected from various devices without having to turn off computers or equipment.

High performance results and ease-of-use make industrial USB from Molex a valuable solution for a variety of harsh environment applications.

For more information on Industrial USB Plugs and Receptacles, please visit: [www.molex.com/product/industrialusb.html](http://www.molex.com/product/industrialusb.html).

### Features and Benefits

- IP 67 and NEMA 6P ratings ensure cordsets are water and dust tight for functional integrity
- Overmolded cordsets allow for faster installation at customer site versus field-wireable designs
- Bayonet-style latch receptacle provides quick and easy connection and ensures proper insertion depth with mating
- Cordsets available in varied lengths up to 5.00m (16.40') which allows customers to choose the length convenient for their specific application
- Fully shielded cable provides Electro Magnetic Interference/Radio Frequency Interference (EMI/RFI) protection

### SPECIFICATIONS

#### Reference Information

Packaging: Bag

Mates with: 84727 mates with 84729

84728 mates with 84730

84732 mates with 84729/84730

Minimum Order Qty.: 10

Standard Pack Size: 1

#### Electrical

Voltage: 30V

Current: 1.0A

Contact Resistance: 30 milliohms max.

Dielectric Withstanding Voltage: 750V AC

Insulation Resistance: 1000 Megohms min.

#### Mechanical

Lock Nut Destructive Torque:

2.71 Nm (24.0 in. lb) min.

Coupling Ring Destructive Torque:

2.26 Nm (20.0 in. lb) min.

Mating Force: 35N (7.87 lbf) max.

Withdrawal Force: 10N (2.25 lbf) min.

Durability: 1000 mating cycles

#### Physical

Receptacle Housing: PBT, Black

Overmolding: PVC, Black

Contact: Copper Alloy

Plating: Contact Area - 0.75µm (30µ") Gold (Au)  
Screw - Nickel

Gasket Seal: Nitrile, Black

Coupling Ring: PBT, Black

Lock Nut: PBT, Black

Screw: Brass

Dust Cap: PBT, Black

Tether: PP or PE, Black

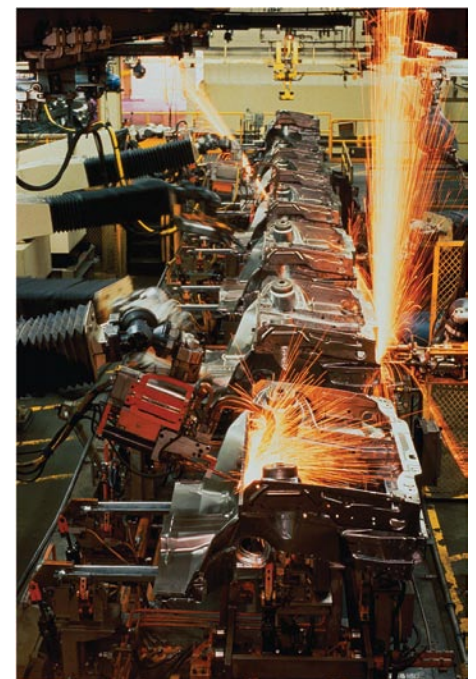
Operating Temperature: 0 to +70°C

RoHS Compliant: Yes

Flammability: UL 94V-0

Performance: USB 2.0

Industrial Seal Rating: NEMA 6P and IP 67



## APPLICATIONS



## Industrial USB Plugs and Receptacles

- Factory Automation
  - Industrial Computers
  - Industrial Controllers
  - Factory Peripherals
    - Printers
    - Barcode Scanners
- Robotics
- Vision Systems
- Motion and Process Controls
- Test and Measurement Equipment
- Medical Devices
- Factory Networking Installations
- Production Equipment

- 84727** Plug, Type-A
- 84728** Plug, Type-B
- 84729** Receptacle, Type-A
- 84730** Receptacle, Type-B
- 84732** Double-Ended Cordset

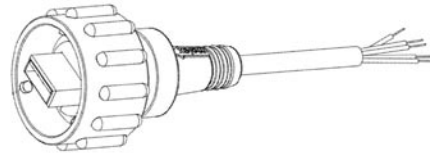


Test and Measurement Equipment

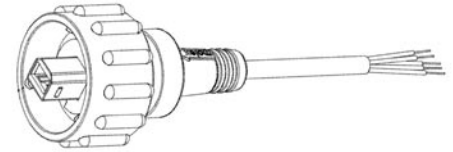
## ORDERING INFORMATION

### USB Plug, Shielded Pigtail

USB Type-A Order No.	USB Type-B Order No.	Length
84727-1002	84728-1002	1.50m (4.921')
84727-1001	84728-1001	2.00m (6.561')
84727-1003	84728-1003	3.00m (9.842')
84727-1004	84728-1004	5.00m (16.404')
84727-1005	84728-1005	0.15m (.492')



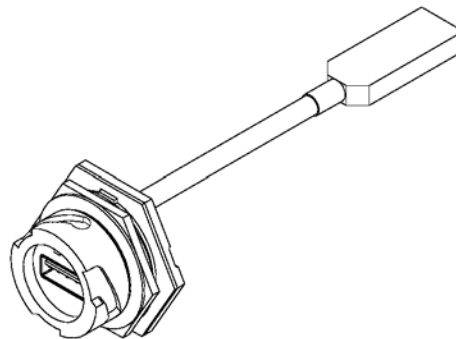
USB Type-A Plug to Pigtail



USB Type-B Plug to Pigtail

### USB Type-A Panel Mount Receptacle to Standard USB Type-A Plug Cordset

Order No.	Length
84729-0003	0.152m (.498')
84729-0004	0.80m (2.624')
84729-0005	1.50m (4.921')
84729-0006	2.00m (6.561')
84729-0007	3.00m (9.842')
84729-0008	5.00m (16.404')



USB Type-A Panel Mount Receptacle to Standard USB Type-A Plug Cordset (Series 84729)

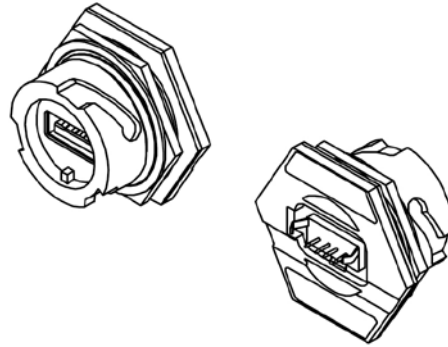


# Industrial USB Plugs and Receptacles

- 84727** Plug, Type-A
- 84728** Plug, Type-B
- 84729** Receptacle, Type-A
- 84730** Receptacle, Type-B
- 84732** Double-Ended Cordset

## USB Panel Mount PCB Receptacle

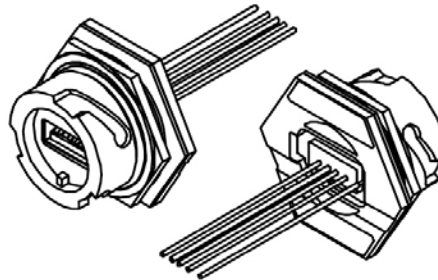
Order No.	USB Type
84729-0009	A
84730-0001	B



USB Type-A Panel Mount Receptacles with PCB tails (Series 84729)

## USB Type-A Panel Mount Receptacle, 5-Circuit Pigtail

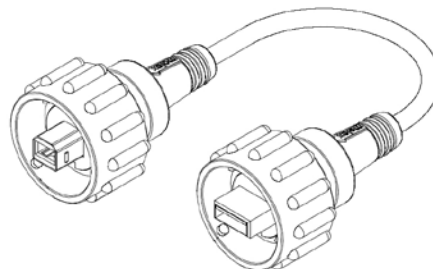
Order No.	Length
84729-0001	0.152m (.498')



USB Type-A Panel Mount Receptacles to 5-Circuit Pigtail (Series 84729)

## USB Type-A Plug to USB Type-B Plug, Double-Ended Cordset

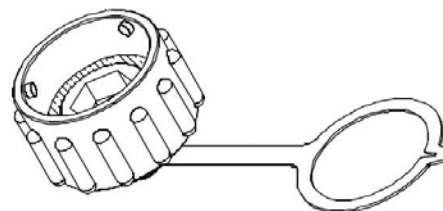
Order No.	Length
84732-0001	0.80m (2.624')
84732-0002	1.50m (4.921')
84732-0003	2.00m (6.561')
84732-0004	3.00m (9.842')
84732-0005	5.00m (16.404')



USB Type-B Plug to USB Type-A Plug Double-Ended Cordset (Series 84732)

## Assembly Dust Cover

Order No.
84700-0003



Dust Cover (Series 84700)

**Americas Headquarters**  
Lisle, Illinois 60532 U.S.A.  
1-800-78MOLEX  
amerinfo@molex.com

**Asia Pacific North Headquarters**  
Yamato, Kanagawa, Japan  
81-462-65-2324  
feninfo@molex.com

**Asia Pacific South Headquarters**  
Jurong, Singapore  
65-6268-6868  
fesinfo@molex.com

**European Headquarters**  
Munich, Germany  
49-89-413092-0  
eurinfo@molex.com

**Corporate Headquarters**  
2222 Wellington Ct.  
Lisle, IL 60532 U.S.A.  
630-969-4550  
Fax: 630-969-1352

Visit our website at [www.molex.com/product/industrialusb.html](http://www.molex.com/product/industrialusb.html)



## Стандарт Электрон Связь

Мы молодая и активно развивающаяся компания в области поставок электронных компонентов. Мы поставляем электронные компоненты отечественного и импортного производства напрямую от производителей и с крупнейших складов мира.

Благодаря сотрудничеству с мировыми поставщиками мы осуществляем комплексные и плановые поставки широчайшего спектра электронных компонентов.

Собственная эффективная логистика и склад в обеспечивает надежную поставку продукции в точно указанные сроки по всей России.

Мы осуществляем техническую поддержку нашим клиентам и предпродажную проверку качества продукции. На все поставляемые продукты мы предоставляем гарантию .

Осуществляем поставки продукции под контролем ВП МО РФ на предприятия военно-промышленного комплекса России , а также работаем в рамках 275 ФЗ с открытием отдельных счетов в уполномоченном банке. Система менеджмента качества компании соответствует требованиям ГОСТ ISO 9001.

Минимальные сроки поставки, гибкие цены, неограниченный ассортимент и индивидуальный подход к клиентам являются основой для выстраивания долгосрочного и эффективного сотрудничества с предприятиями радиоэлектронной промышленности, предприятиями ВПК и научно-исследовательскими институтами России.

С нами вы становитесь еще успешнее!

### Наши контакты:

**Телефон:** +7 812 627 14 35

**Электронная почта:** [sales@st-electron.ru](mailto:sales@st-electron.ru)

**Адрес:** 198099, Санкт-Петербург,  
Промышленная ул, дом № 19, литера Н,  
помещение 100-Н Офис 331