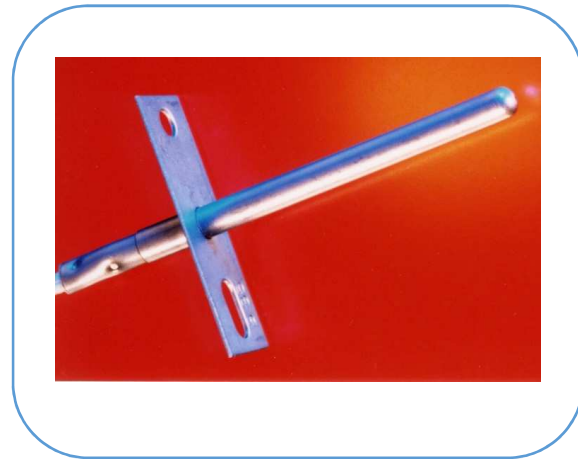


## Oven Temperature Sensor



Platinum RTD sensor enclosed in closed-end stainless steel housing with integral mounting flange, fiberglass insulated lead wires.

### Applications

- Oven temperature
- Heating, ventilating, and air conditioning
- General purpose temperature sensing

### Features

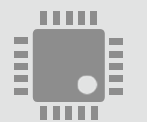
- Flanged housing allows for easy mounting
- Standard design widely used in cooking ovens
- Available in Pt100 or Pt1000 resistance values
- Pt1000 available in TC3750 or TC3850
- +500°C maximum operating temperature

### Heraeus Sensor Technology

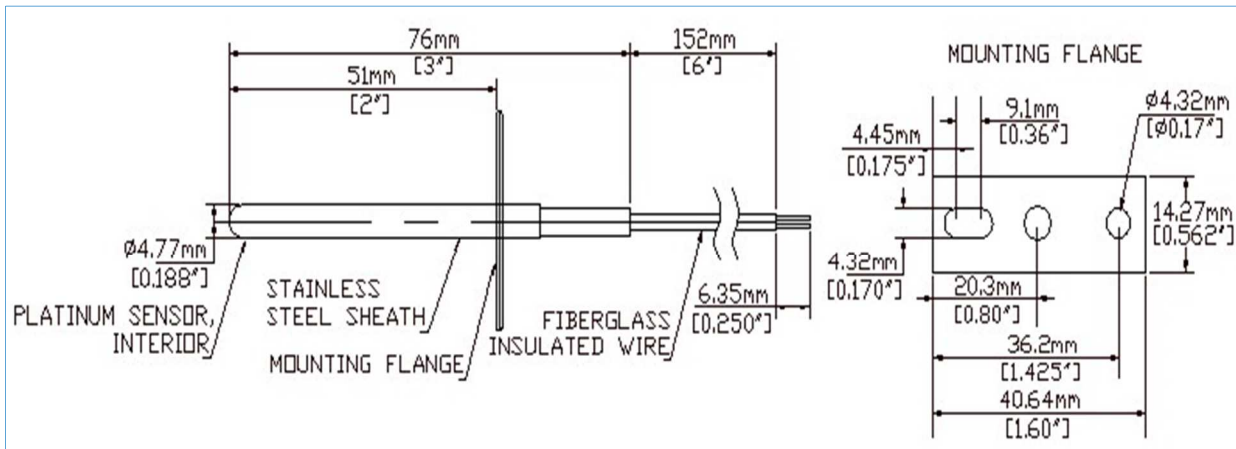
[www.heraeus-sensor-technology.com](http://www.heraeus-sensor-technology.com)

This data sheet does not constitute an offer or agreement to sell any product. Heraeus believes the information contained in this data sheet is accurate as of the version date. HOWEVER, NO REPRESENTATION OR WARRANTY OF ANY KIND, EXPRESS OR IMPLIED, IS MADE CONCERNING THE INFORMATION HEREIN PROVIDED OR THE PRODUCT TO WHICH THE INFORMATION REFERS. Heraeus does not accept legal responsibility for the use of this information. The information contained herein may not be valid for such product used in combination with any other materials, products, or in any process. It is the user's responsibility to satisfy itself that the product is suitable for the intended use.

Revision Date: 09/26



## Oven Temperature Sensor Specifications



For 3 wire assemblies, one wire is marked to show polarity

Dimensions are in mm unless otherwise noted

### Specifications

#### Operating Temperature Range

-40°C to +500°C

#### Connection wire

Fiberglass-insulated, 2x0.22mm<sup>2</sup>  
(24AWG)

Pt100: 3 wire connection (one wire marked to indicate polarity)

Pt1000: 2 wire connection

#### Temperature sensing element

Platinum RTD, Pt100 or Pt1000, as per  
DIN EN 60751 F0.3

#### Housing

Stainless steel, 300 series

#### Wire resistance

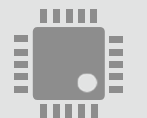
0.030 $\Omega$ /ft. (0.098 $\Omega$ /m) for each conductor

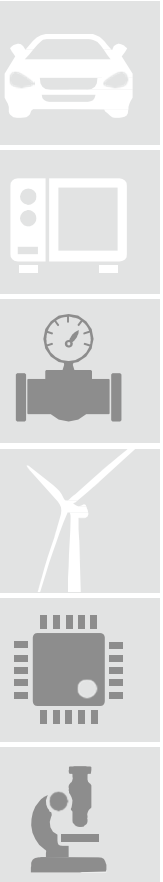
### Heraeus Sensor Technology

[www.heraeus-sensor-technology.com](http://www.heraeus-sensor-technology.com)

This data sheet does not constitute an offer or agreement to sell any product. Heraeus believes the information contained in this data sheet is accurate as of the version date. HOWEVER, NO REPRESENTATION OR WARRANTY OF ANY KIND, EXPRESS OR IMPLIED, IS MADE CONCERNING THE INFORMATION HEREIN PROVIDED OR THE PRODUCT TO WHICH THE INFORMATION REFERS. Heraeus does not accept legal responsibility for the use of this information. The information contained herein may not be valid for such product used in combination with any other materials, products, or in any process. It is the user's responsibility to satisfy itself that the product is suitable for the intended use.

Revision Date: 09/26





## Oven Temperature Sensor

### Options

Wire length

Resistance value

Connectors

### Ordering Code for Standard Product

Pt100 TC3850 (3 wire): 35110020

Pt1000 TC3850 (2 wire): 35110021

Pt1000 TC3750 (2 wire): 35110022

### Resistance vs Temperature Table

Reference tables @ [https://www.heraeus.com/en/hst/technical\\_information/technical\\_information\\_hst.aspx](https://www.heraeus.com/en/hst/technical_information/technical_information_hst.aspx)

### Contact Information

#### Heraeus Sensor Technology USA

770 Township Line Road, Suite 300 Yardley, PA 19067 USA

Phone: 1-215-944-9010 | Fax: 1-215-944-9392 | E-mail: [info.hst-us@heraeus.com](mailto:info.hst-us@heraeus.com) | Web: [www.heraeus-sensor-technology.com](http://www.heraeus-sensor-technology.com)

## Heraeus Sensor Technology

[www.heraeus-sensor-technology.com](http://www.heraeus-sensor-technology.com)

This data sheet does not constitute an offer or agreement to sell any product. Heraeus believes the information contained in this data sheet is accurate as of the version date. HOWEVER, NO REPRESENTATION OR WARRANTY OF ANY KIND, EXPRESS OR IMPLIED, IS MADE CONCERNING THE INFORMATION HEREIN PROVIDED OR THE PRODUCT TO WHICH THE INFORMATION REFERS. Heraeus does not accept legal responsibility for the use of this information. The information contained herein may not be valid for such product used in combination with any other materials, products, or in any process. It is the user's responsibility to satisfy itself that the product is suitable for the intended use.

Revision Date: 09/26



## Стандарт Электрон Связь

Мы молодая и активно развивающаяся компания в области поставок электронных компонентов. Мы поставляем электронные компоненты отечественного и импортного производства напрямую от производителей и с крупнейших складов мира.

Благодаря сотрудничеству с мировыми поставщиками мы осуществляем комплексные и плановые поставки широчайшего спектра электронных компонентов.

Собственная эффективная логистика и склад в обеспечивает надежную поставку продукции в точно указанные сроки по всей России.

Мы осуществляем техническую поддержку нашим клиентам и предпродажную проверку качества продукции. На все поставляемые продукты мы предоставляем гарантию .

Осуществляем поставки продукции под контролем ВП МО РФ на предприятия военно-промышленного комплекса России , а также работаем в рамках 275 ФЗ с открытием отдельных счетов в уполномоченном банке. Система менеджмента качества компании соответствует требованиям ГОСТ ISO 9001.

Минимальные сроки поставки, гибкие цены, неограниченный ассортимент и индивидуальный подход к клиентам являются основой для выстраивания долгосрочного и эффективного сотрудничества с предприятиями радиоэлектронной промышленности, предприятиями ВПК и научно-исследовательскими институтами России.

С нами вы становитесь еще успешнее!

### Наши контакты:

**Телефон:** +7 812 627 14 35

**Электронная почта:** [sales@st-electron.ru](mailto:sales@st-electron.ru)

**Адрес:** 198099, Санкт-Петербург,  
Промышленная ул, дом № 19, литера Н,  
помещение 100-Н Офис 331