

To our customers,

Old Company Name in Catalogs and Other Documents

On April 1st, 2010, NEC Electronics Corporation merged with Renesas Technology Corporation, and Renesas Electronics Corporation took over all the business of both companies. Therefore, although the old company name remains in this document, it is a valid Renesas Electronics document. We appreciate your understanding.

Renesas Electronics website: <http://www.renesas.com>

April 1st, 2010
Renesas Electronics Corporation

Issued by: Renesas Electronics Corporation (<http://www.renesas.com>)

Send any inquiries to <http://www.renesas.com/inquiry>.

Notice

1. All information included in this document is current as of the date this document is issued. Such information, however, is subject to change without any prior notice. Before purchasing or using any Renesas Electronics products listed herein, please confirm the latest product information with a Renesas Electronics sales office. Also, please pay regular and careful attention to additional and different information to be disclosed by Renesas Electronics such as that disclosed through our website.
2. Renesas Electronics does not assume any liability for infringement of patents, copyrights, or other intellectual property rights of third parties by or arising from the use of Renesas Electronics products or technical information described in this document. No license, express, implied or otherwise, is granted hereby under any patents, copyrights or other intellectual property rights of Renesas Electronics or others.
3. You should not alter, modify, copy, or otherwise misappropriate any Renesas Electronics product, whether in whole or in part.
4. Descriptions of circuits, software and other related information in this document are provided only to illustrate the operation of semiconductor products and application examples. You are fully responsible for the incorporation of these circuits, software, and information in the design of your equipment. Renesas Electronics assumes no responsibility for any losses incurred by you or third parties arising from the use of these circuits, software, or information.
5. When exporting the products or technology described in this document, you should comply with the applicable export control laws and regulations and follow the procedures required by such laws and regulations. You should not use Renesas Electronics products or the technology described in this document for any purpose relating to military applications or use by the military, including but not limited to the development of weapons of mass destruction. Renesas Electronics products and technology may not be used for or incorporated into any products or systems whose manufacture, use, or sale is prohibited under any applicable domestic or foreign laws or regulations.
6. Renesas Electronics has used reasonable care in preparing the information included in this document, but Renesas Electronics does not warrant that such information is error free. Renesas Electronics assumes no liability whatsoever for any damages incurred by you resulting from errors in or omissions from the information included herein.
7. Renesas Electronics products are classified according to the following three quality grades: “Standard”, “High Quality”, and “Specific”. The recommended applications for each Renesas Electronics product depends on the product’s quality grade, as indicated below. You must check the quality grade of each Renesas Electronics product before using it in a particular application. You may not use any Renesas Electronics product for any application categorized as “Specific” without the prior written consent of Renesas Electronics. Further, you may not use any Renesas Electronics product for any application for which it is not intended without the prior written consent of Renesas Electronics. Renesas Electronics shall not be in any way liable for any damages or losses incurred by you or third parties arising from the use of any Renesas Electronics product for an application categorized as “Specific” or for which the product is not intended where you have failed to obtain the prior written consent of Renesas Electronics. The quality grade of each Renesas Electronics product is “Standard” unless otherwise expressly specified in a Renesas Electronics data sheets or data books, etc.
 - “Standard”: Computers; office equipment; communications equipment; test and measurement equipment; audio and visual equipment; home electronic appliances; machine tools; personal electronic equipment; and industrial robots.
 - “High Quality”: Transportation equipment (automobiles, trains, ships, etc.); traffic control systems; anti-disaster systems; anti-crime systems; safety equipment; and medical equipment not specifically designed for life support.
 - “Specific”: Aircraft; aerospace equipment; submersible repeaters; nuclear reactor control systems; medical equipment or systems for life support (e.g. artificial life support devices or systems), surgical implantations, or healthcare intervention (e.g. excision, etc.), and any other applications or purposes that pose a direct threat to human life.
8. You should use the Renesas Electronics products described in this document within the range specified by Renesas Electronics, especially with respect to the maximum rating, operating supply voltage range, movement power voltage range, heat radiation characteristics, installation and other product characteristics. Renesas Electronics shall have no liability for malfunctions or damages arising out of the use of Renesas Electronics products beyond such specified ranges.
9. Although Renesas Electronics endeavors to improve the quality and reliability of its products, semiconductor products have specific characteristics such as the occurrence of failure at a certain rate and malfunctions under certain use conditions. Further, Renesas Electronics products are not subject to radiation resistance design. Please be sure to implement safety measures to guard them against the possibility of physical injury, and injury or damage caused by fire in the event of the failure of a Renesas Electronics product, such as safety design for hardware and software including but not limited to redundancy, fire control and malfunction prevention, appropriate treatment for aging degradation or any other appropriate measures. Because the evaluation of microcomputer software alone is very difficult, please evaluate the safety of the final products or system manufactured by you.
10. Please contact a Renesas Electronics sales office for details as to environmental matters such as the environmental compatibility of each Renesas Electronics product. Please use Renesas Electronics products in compliance with all applicable laws and regulations that regulate the inclusion or use of controlled substances, including without limitation, the EU RoHS Directive. Renesas Electronics assumes no liability for damages or losses occurring as a result of your noncompliance with applicable laws and regulations.
11. This document may not be reproduced or duplicated, in any form, in whole or in part, without prior written consent of Renesas Electronics.
12. Please contact a Renesas Electronics sales office if you have any questions regarding the information contained in this document or Renesas Electronics products, or if you have any other inquiries.

(Note 1) “Renesas Electronics” as used in this document means Renesas Electronics Corporation and also includes its majority-owned subsidiaries.

(Note 2) “Renesas Electronics product(s)” means any product developed or manufactured by or for Renesas Electronics.

PHOTOCOUPLER PS9821-1,-2

HIGH CMR, 15 Mbps OPEN COLLECTOR OUTPUT TYPE 8-PIN SSOP (SO-8) 3.3 V HIGH-SPEED PHOTOCOUPLER

–NEPOC Series–

DESCRIPTION

The PS9821-1 and PS9821-2 are active-low type high-speed photocouplers that use a GaAlAs light-emitting diode on the input side and a photodetector IC that includes a photodiode and a signal processor on the same chip on the output side.

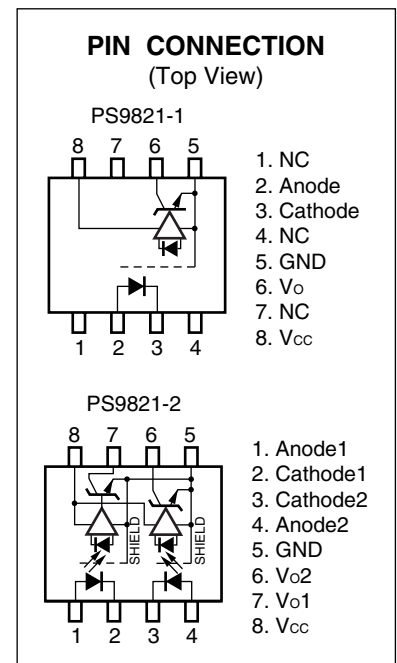
The PS9821-1, -2 are designed specifically for high common mode transient immunity (CMR) and low pulse width distortion, PS9821-2 is suitable for high density applications.

FEATURES

- Low power consumption ($V_{CC} = 3.3\text{ V}$)
- Pulse width distortion ($|t_{PHL} - t_{PLH}| = 35\text{ ns MAX.}$)
- High common mode transient immunity ($C_{MH}, C_{ML} = \pm 15\text{ kV}/\mu\text{s MIN.}$)
- 40% reduction of mounting area (5-pin SOP \times 2)
- High-speed (15 Mbps)
- High isolation voltage ($BV = 2\ 500\text{ Vr.m.s.}$)
- Open collector output
- Ordering number of tape product : PS9821-1-F3, F4: 1 500 pcs/reel
: PS9821-2-F3, F4: 1 500 pcs/reel
- Pb-Free product
- Safety standards
 - UL approved: File No. E72422
 - DIN EN60747-5-2 (VDE0884 Part2) approved No.40008347 (option)

APPLICATIONS

- Measurement equipment
- PDP
- FA Network

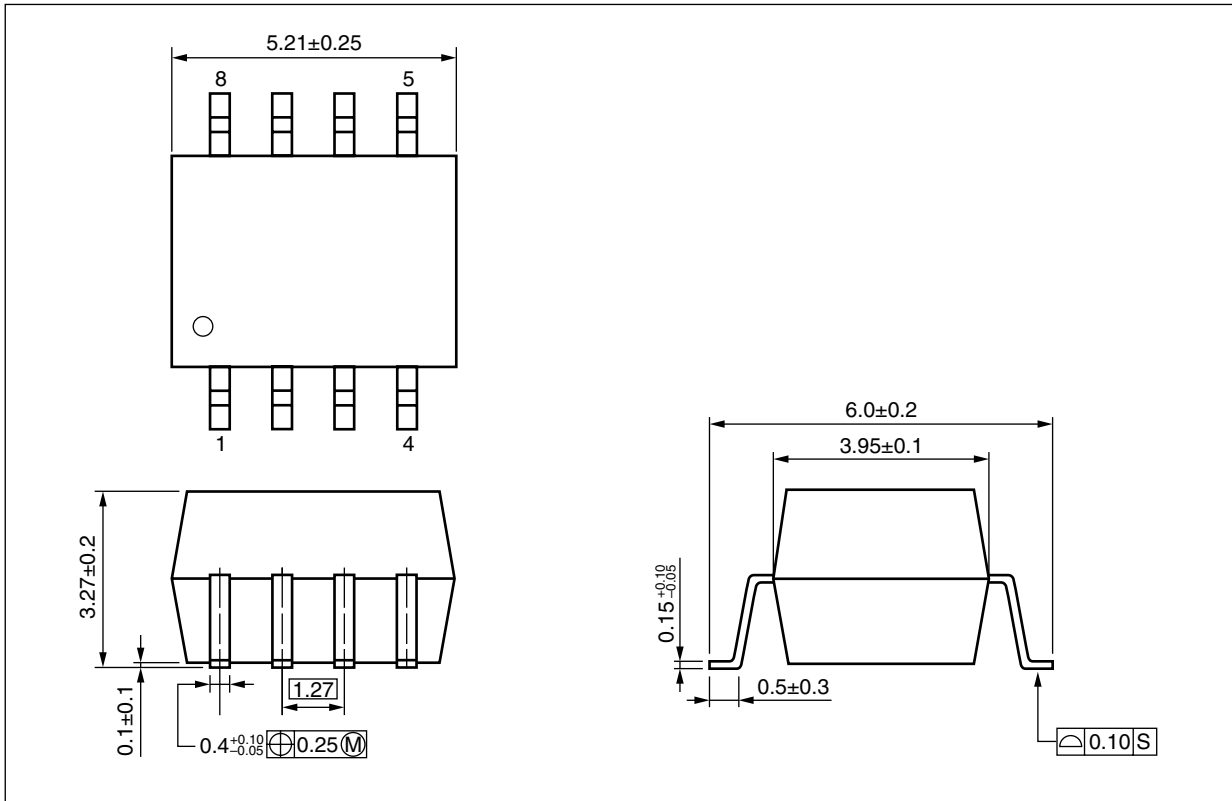


TRUTH TABLE

| LED | Output |
|-----|--------|
| ON | L |
| OFF | H |

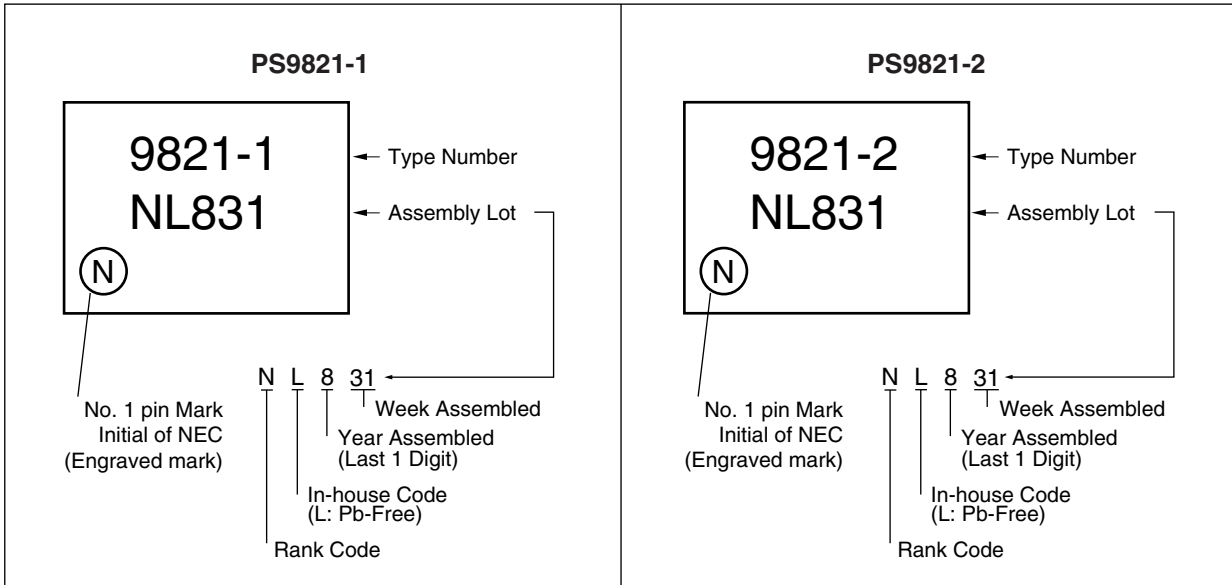
The information in this document is subject to change without notice. Before using this document, please confirm that this is the latest version.
Not all products and/or types are available in every country. Please check with an NEC Electronics sales representative for availability and additional information.

<R> PACKAGE DIMENSIONS (UNIT: mm)

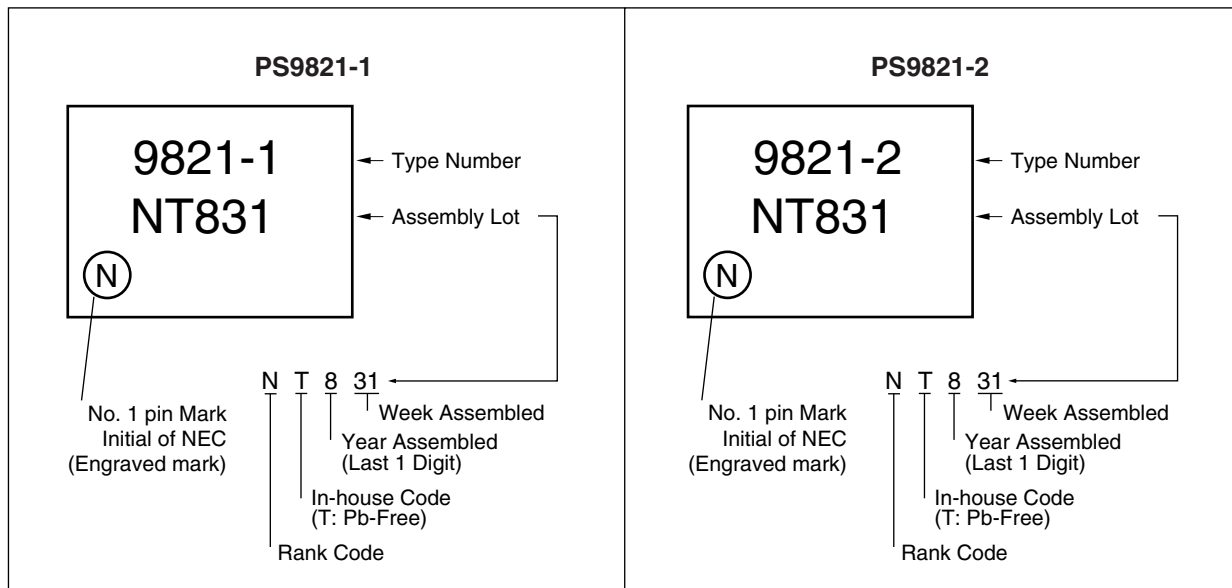


<R> MARKING EXAMPLE

SnBi PLATING



Ni/Pd/Au PLATING



<R> ORDERING INFORMATION

| Part Number | Order Number | Solder Plating Specification | Packing Style | Safety Standards Approval | Application Part Number ^{*1} | |
|---------------|------------------|------------------------------|------------------------------|---|---|----------|
| PS9821-1 | PS9821-1-A | Pb-Free (SnBi) | 20 pcs (Tape 20 pcs cut) | Standard products (UL approved) | PS9821-1 | |
| PS9821-1-F3 | PS9821-1-F3-A | | Embossed Tape 1 500 pcs/reel | | | |
| PS9821-1-F4 | PS9821-1-F4-A | | | | | |
| PS9821-2 | PS9821-2-A | | 20 pcs (Tape 20 pcs cut) | | DIN EN60747-5-2 (VDE0884 Part2) approved (Option) | PS9821-2 |
| PS9821-2-F3 | PS9821-2-F3-A | | Embossed Tape 1 500 pcs/reel | | | |
| PS9821-2-F4 | PS9821-2-F4-A | | | | | |
| PS9821-1-V | PS9821-1-V-A | | 20 pcs (Tape 20 pcs cut) | DIN EN60747-5-2 (VDE0884 Part2) approved (Option) | | PS9821-1 |
| PS9821-1-V-F3 | PS9821-1-V-F3-A | | Embossed Tape 1 500 pcs/reel | | | |
| PS9821-1-V-F4 | PS9821-1-V-F4-A | | | | | |
| PS9821-2-V | PS9821-2-V-A | | 20 pcs (Tape 20 pcs cut) | | DIN EN60747-5-2 (VDE0884 Part2) approved (Option) | PS9821-2 |
| PS9821-2-V-F3 | PS9821-2-V-F3-A | | Embossed Tape 1 500 pcs/reel | | | |
| PS9821-2-V-F4 | PS9821-2-V-F4-A | | | | | |
| PS9821-1 | PS9821-1-AX | Pb-Free (Ni/Pd/Au) | 20 pcs (Tape 20 pcs cut) | Standard products (UL approved) | | PS9821-1 |
| PS9821-1-F3 | PS9821-1-F3-AX | | Embossed Tape 1 500 pcs/reel | | | |
| PS9821-1-F4 | PS9821-1-F4-AX | | | | | |
| PS9821-2 | PS9821-2-AX | | 20 pcs (Tape 20 pcs cut) | | DIN EN60747-5-2 (VDE0884 Part2) approved (Option) | PS9821-2 |
| PS9821-2-F3 | PS9821-2-F3-AX | | Embossed Tape 1 500 pcs/reel | | | |
| PS9821-2-F4 | PS9821-2-F4-AX | | | | | |
| PS9821-1-V | PS9821-1-V-AX | | 20 pcs (Tape 20 pcs cut) | DIN EN60747-5-2 (VDE0884 Part2) approved (Option) | | PS9821-1 |
| PS9821-1-V-F3 | PS9821-1-V-F3-AX | | Embossed Tape 1 500 pcs/reel | | | |
| PS9821-1-V-F4 | PS9821-1-V-F4-AX | | | | | |
| PS9821-2-V | PS9821-2-V-AX | | 20 pcs (Tape 20 pcs cut) | | DIN EN60747-5-2 (VDE0884 Part2) approved (Option) | PS9821-2 |
| PS9821-2-V-F3 | PS9821-2-V-F3-AX | | Embossed Tape 1 500 pcs/reel | | | |
| PS9821-2-V-F4 | PS9821-2-V-F4-AX | | | | | |

*1 For the application of the Safety Standard, following part number should be used.

ABSOLUTE MAXIMUM RATINGS (T_A = 25°C, unless otherwise specified)

| Parameter | | Symbol | Ratings | | Unit |
|---------------------------------|---------------------------------|------------------|------------------|------------------|---------|
| | | | PS9821-1 | PS9821-2 | |
| Diode | Forward Current | I _F | 20 ^{*1} | 15 ^{*2} | mA |
| | Reverse Voltage | V _R | 5 | | V/ch |
| Detector | Supply Voltage | V _{CC} | 7 | | V |
| | Output Voltage | V _O | 7 | | V/ch |
| | Output Current | I _O | 25 | | mA/ch |
| | Power Dissipation ^{*3} | P _C | 40 | | mW/ch |
| Isolation Voltage ^{*4} | | BV | 2 500 | | Vr.m.s. |
| Operating Ambient Temperature | | T _A | -40 to +85 | | °C |
| Storage Temperature | | T _{stg} | -55 to +125 | | °C |

*1 Reduced to 0.3 mA/°C at T_A = 60°C or more.

*2 Reduced to 0.1 mA/°C at T_A = 60°C or more.

*3 Applies to output pin V_O (collector pin). Reduced to 1.5 mW/°C at T_A = 65°C or more.

*4 AC voltage for 1 minute at T_A = 25°C, RH = 60% between input and output.
Pins 1-4 shorted together, 5-8 shorted together.

RECOMMENDED OPERATING CONDITIONS

| Parameter | Symbol | MIN. | TYP. | MAX. | Unit |
|--------------------------------------|-----------------|------|------|------|------|
| Low Level Input Voltage | V _{FL} | 0 | | 0.8 | V |
| High Level Input Current | I _{FH} | 6.3 | 10 | 12.5 | mA |
| Supply Voltage | V _{CC} | 2.7 | | 3.6 | V |
| Pull-up Resistance | R _L | 330 | | 4 k | Ω |
| TLL (R _L = 1.0 kΩ, loads) | N | | | 5 | |

ELECTRICAL CHARACTERISTICS (1/2) (T_A = -40 to +85°C, unless otherwise specified)

| Parameter | | Symbol | Conditions | MIN. | TYP. ¹⁾ | MAX. | Unit |
|--|---|--|--|------------------|--------------------|------|------|
| Diode | Forward Voltage | V _F | I _F = 10 mA, T _A = 25°C | 1.4 | 1.65 | 1.8 | V |
| | Reverse Current | I _R | V _R = 3.0 V, T _A = 25°C | | | 10 | μA |
| | Terminal Capacitance | C _i | V _F = 0 V, f = 1 MHz, T _A = 25°C | | 30 | | pF |
| Detector | High Level Output Current | I _{OH} | V _{CC} = V _O = 3.3 V, I _F = 0.8 mA | | 1 | 80 | μA |
| | | | V _{CC} = V _O = 5.5 V, I _F = 0.8 mA | | 1 ²⁾ | | |
| | Low Level Output Voltage ³⁾ | V _{OL} | V _{CC} = 3.3 V, I _F = 5.0 mA, I _{OL} = 13 mA | | 0.2 | 0.6 | V |
| | | | V _{CC} = 5.5 V, I _F = 5.0 mA, I _{OL} = 13 mA | | 0.2 ²⁾ | | |
| | High Level Supply Current (PS9821-1) | I _{CCH} | V _{CC} = 3.3 V, I _F = 0 mA, V _O = open | | 4 | 7 | mA |
| | | | V _{CC} = 5.5 V, I _F = 0 mA, V _O = open | | 5 ²⁾ | | |
| | High Level Supply Current (PS9821-2) | I _{CCH} | V _{CC} = 3.3 V, I _F = 0 mA, V _O = open | | 8 | 14 | mA |
| | | | V _{CC} = 5.5 V, I _F = 0 mA, V _O = open | | 10 ²⁾ | | |
| | Low Level Supply Current (PS9821-1) | I _{CCL} | V _{CC} = 3.3 V, I _F = 10 mA, V _O = open | | 7 | 10 | mA |
| | | | V _{CC} = 5.5 V, I _F = 10 mA, V _O = open | | 9 ²⁾ | | |
| Low Level Supply Current (PS9821-2) | I _{CCL} | V _{CC} = 3.3 V, I _F = 10 mA, V _O = open | | 14 | 20 | mA | |
| | | V _{CC} = 5.5 V, I _F = 10 mA, V _O = open | | 18 ²⁾ | | | |
| Coupled | Threshold Input Current (H → L) | I _{FHL} | V _{CC} = 3.3 V, V _O = 0.8 V, R _L = 350 Ω | | 2.5 | 5 | mA |
| | | | V _{CC} = 5 V, V _O = 0.8 V, R _L = 350 Ω | | 2.5 ²⁾ | | |
| | Isolation Resistance | R _{I-O} | V _{I-O} = 1 kV _{DC} , RH = 40 to 60%, T _A = 25°C | | 10 ¹¹⁾ | | Ω |
| | Insulation Resistance (Input-Input), (PS9821-2) | R _{I-I} | V _{I-I} = 1 kV _{DC} , RH = 40 to 60%, T _A = 25°C | | 10 ¹⁰⁾ | | Ω |
| | Isolation Capacitance | C _{I-O} | V = 0 V, f = 1 MHz, T _A = 25°C | | 0.6 | | pF |
| | Insulation Capacitance (Input-Input), (PS9821-2) | C _{I-I} | V = 0 V, f = 1 MHz, T _A = 25°C | | 0.3 | | pF |
| | Propagation Delay Time (H → L) ⁴⁾ | t _{PHL} | T _A = 25°C | | 45 | 75 | ns |
| | | | V _{CC} = 3.3 V, R _L = 350 Ω, I _F = 7.5 mA | | | 100 | |
| | | | V _{CC} = 5 V, R _L = 350 Ω, I _F = 7.5 mA | | 38 ²⁾ | | |
| | Propagation Delay Time (L → H) ⁴⁾ | t _{PLH} | T _A = 25°C | | 50 | 75 | ns |
| | | | V _{CC} = 3.3 V, R _L = 350 Ω, I _F = 7.5 mA | | | 100 | |
| | | | V _{CC} = 5 V, R _L = 350 Ω, I _F = 7.5 mA | | 43 ²⁾ | | |
| | Rise Time | t _r | V _{CC} = 3.3 V, R _L = 350 Ω, I _F = 7.5 mA | | 20 | | ns |
| V _{CC} = 5 V, R _L = 350 Ω, I _F = 7.5 mA | | | | 20 ²⁾ | | | |
| Fall Time | t _f | V _{CC} = 3.3 V, R _L = 350 Ω, I _F = 7.5 mA | | 5 | | ns | |
| | | V _{CC} = 5 V, R _L = 350 Ω, I _F = 7.5 mA | | 5 ²⁾ | | | |
| Pulse Width Distortion (PWD) ⁴⁾ | t _{PLH} - t _{PHL} | V _{CC} = 3.3 V, R _L = 350 Ω, I _F = 7.5 mA | | 5 | 35 | ns | |
| | | V _{CC} = 5 V, R _L = 350 Ω, I _F = 7.5 mA | | 5 ²⁾ | | | |
| Propagation Delay Skew | t _{PSK} | V _{CC} = 3.3 V, R _L = 350 Ω, I _F = 7.5 mA | | | | 40 | |

ELECTRICAL CHARACTERISTICS (2/2) ($T_A = -40$ to $+85^\circ\text{C}$, unless otherwise specified)

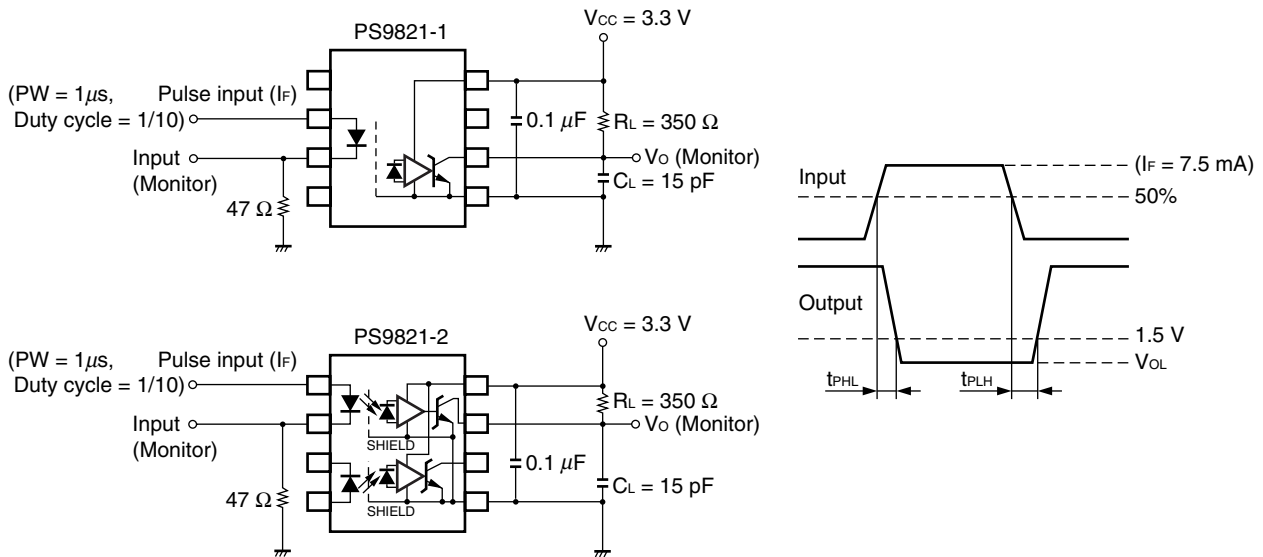
| Parameter | | Symbol | Conditions | MIN. | TYP. ^{*1} | MAX. | Unit |
|-----------|---|-----------------|---|------|--------------------|------|-------------------|
| Coupled | Common Mode Transient Immunity at High Level Output ^{*5} | CM _H | $V_{CC} = 3.3\text{ V}$, $R_L = 350\ \Omega$, $T_A = 25^\circ\text{C}$, $I_F = 0\text{ mA}$, $V_O > 2\text{ V}$, $V_{CM} = 1\text{ kV}$ | 15 | 20 | | kV/ μs |
| | | | $V_{CC} = 5\text{ V}$, $R_L = 350\ \Omega$, $T_A = 25^\circ\text{C}$, $I_F = 0\text{ mA}$, $V_O > 2\text{ V}$, $V_{CM} = 1\text{ kV}$ | | 20 ^{*2} | | |
| | Common Mode Transient Immunity at Low Level Output ^{*5} | CM _L | $V_{CC} = 3.3\text{ V}$, $R_L = 350\ \Omega$, $T_A = 25^\circ\text{C}$, $I_F = 7.5\text{ mA}$, $V_O < 0.8\text{ V}$, $V_{CM} = 1\text{ kV}$ | 15 | 20 | | |
| | | | $V_{CC} = 5\text{ V}$, $R_L = 350\ \Omega$, $T_A = 25^\circ\text{C}$, $I_F = 7.5\text{ mA}$, $V_O < 0.8\text{ V}$, $V_{CM} = 1\text{ kV}$ | | 20 ^{*2} | | |

*1 Typical values at $T_A = 25^\circ\text{C}$

*2 These values are reference values.

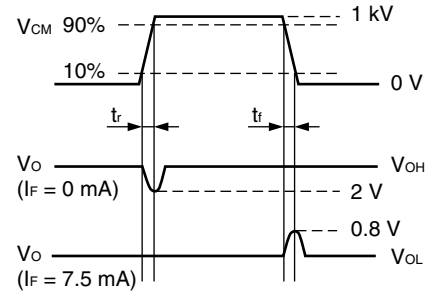
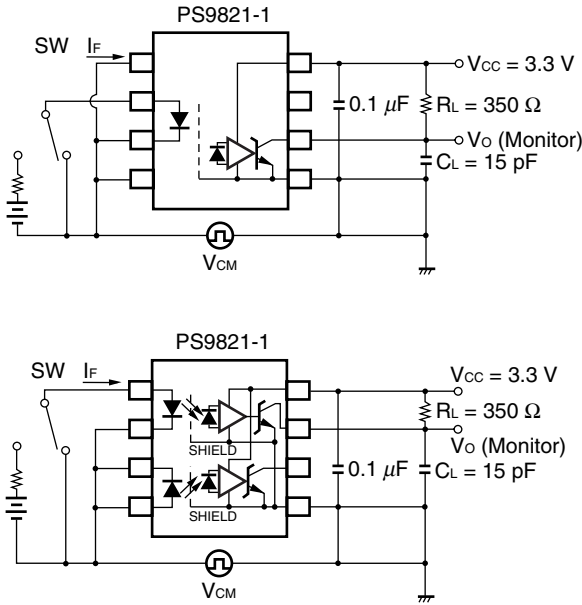
*3 Because V_{OL} of 2 V or more may be output when LED current input and when output supply of $V_{CC} = 2.6\text{ V}$ or less, it is important to confirm the characteristics (operation with the power supply on and off) during design, before using this device.

*4 Test circuit for propagation delay time



Remark C_L includes probe and stray wiring capacitance.

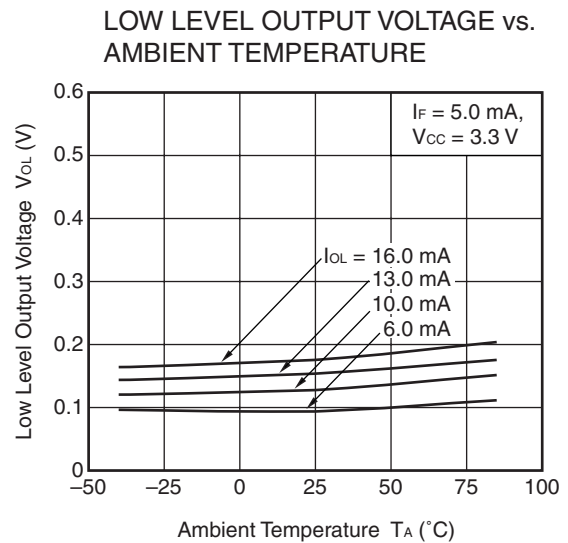
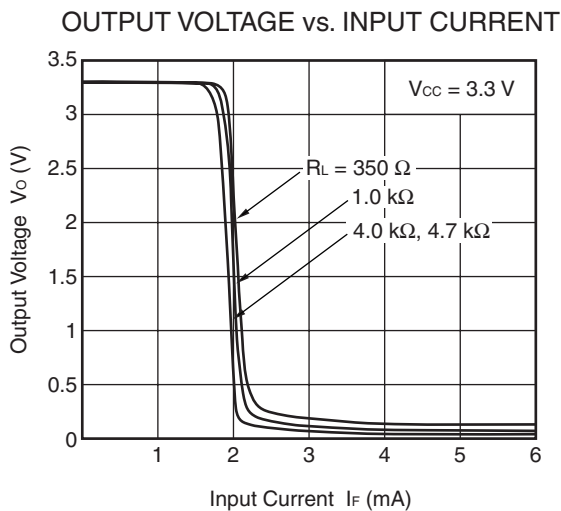
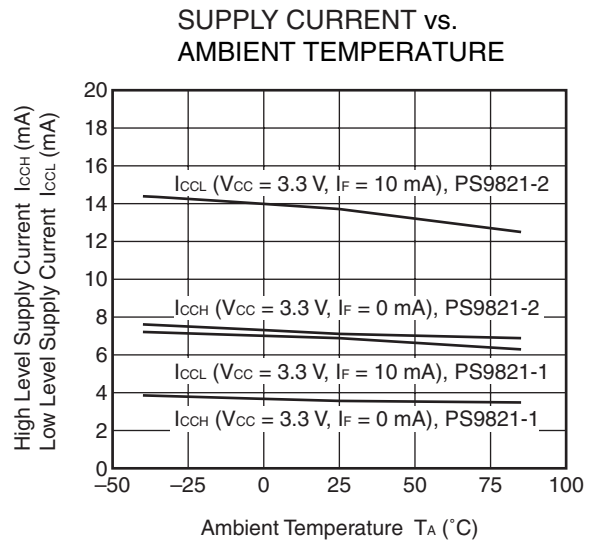
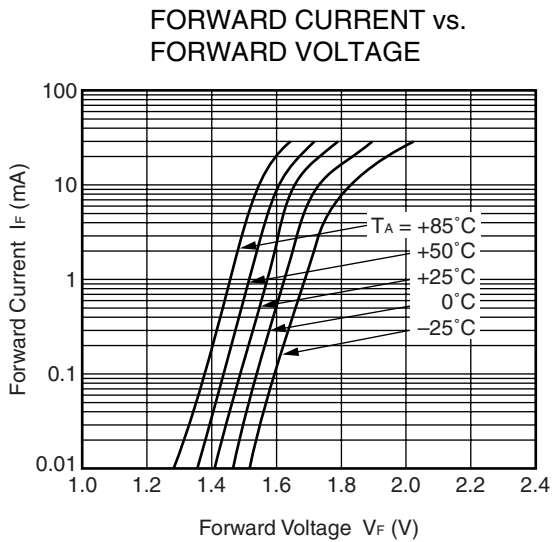
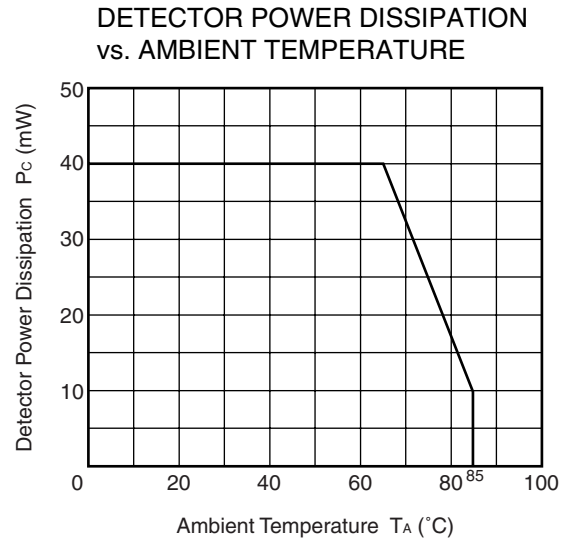
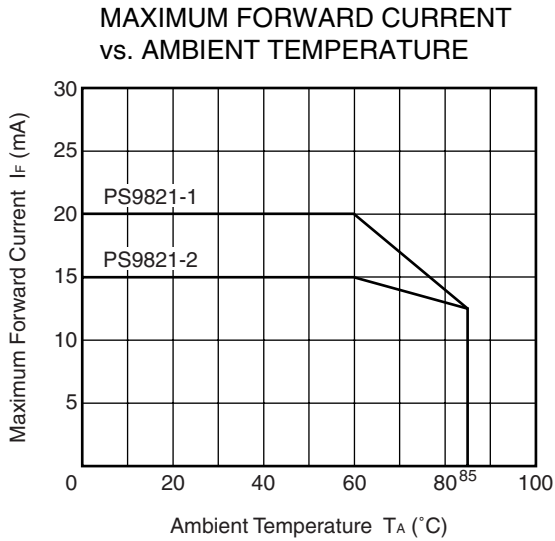
*5 Test circuit for common mode transient immunity



USAGE CAUTIONS

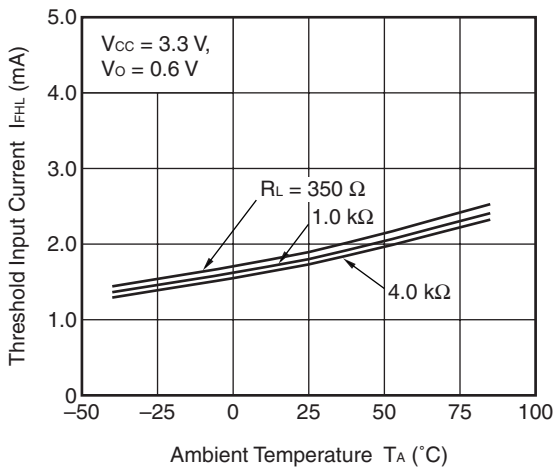
1. This product is weak for static electricity by designed with high-speed integrated circuit so protect against static electricity when handling.
2. By-pass capacitor of 0.1 μ F is used between V_{CC} and GND near device. Also, ensure that the distance between the leads of the photocoupler and capacitor is no more than 10 mm.
3. Avoid storage at a high temperature and high humidity.

TYPICAL CHARACTERISTICS (T_A = 25°C, unless otherwise specified)

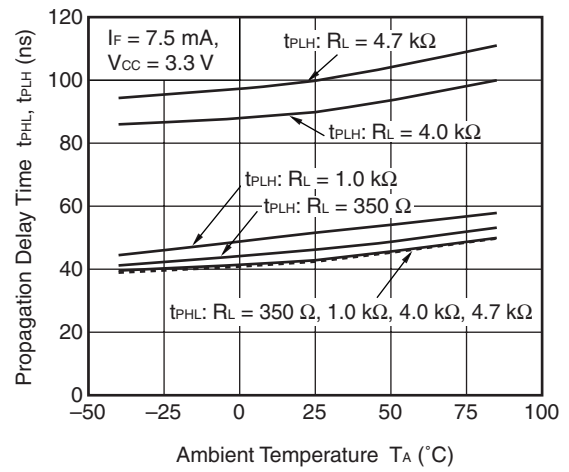


Remark The graphs indicate nominal characteristics.

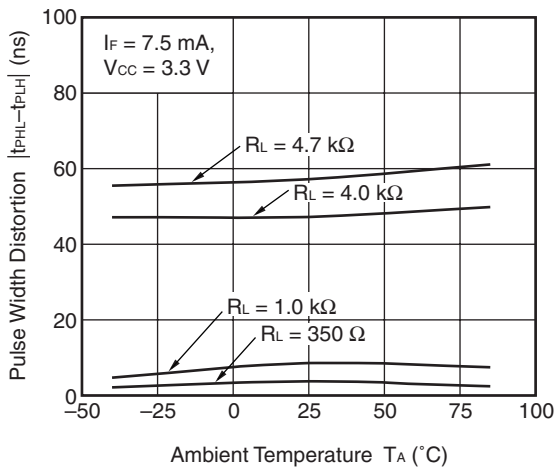
THRESHOLD INPUT CURRENT vs. AMBIENT TEMPERATURE



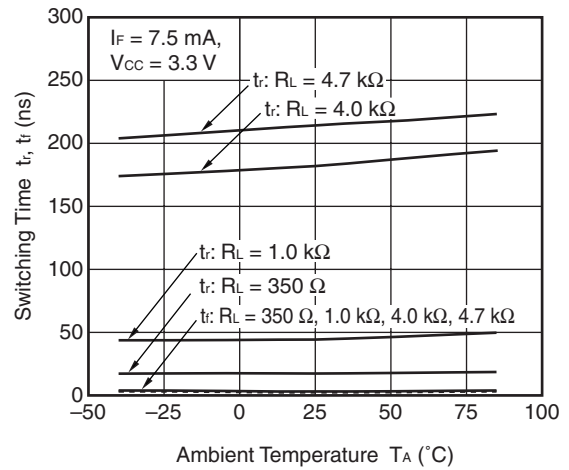
PROPAGATION DELAY TIME vs. AMBIENT TEMPERATURE



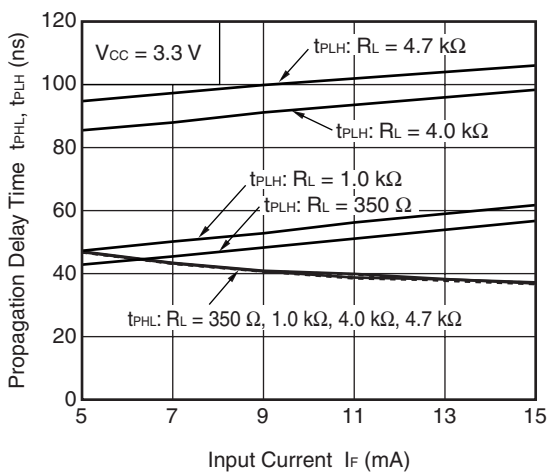
PULSE WIDTH DISTORTION vs. AMBIENT TEMPERATURE



SWITCHING TIME vs. AMBIENT TEMPERATURE



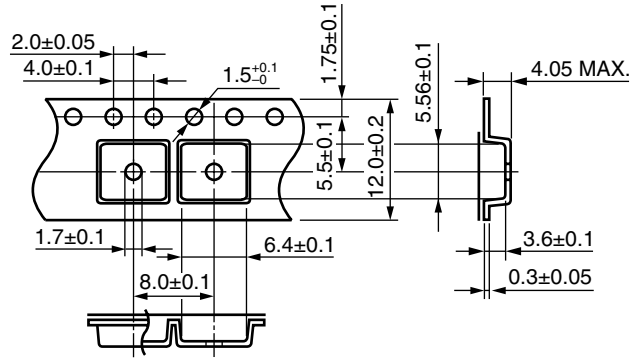
PROPAGATION DELAY TIME vs. INPUT CURRENT



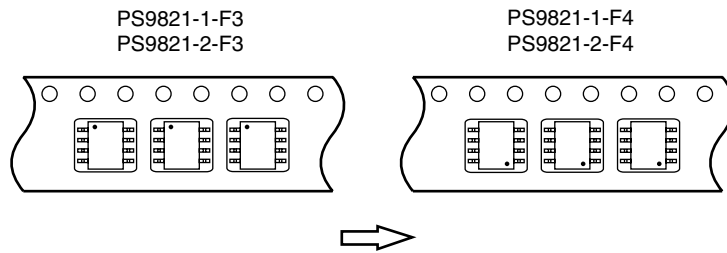
Remark The graphs indicate nominal characteristics.

TAPING SPECIFICATIONS (UNIT: mm)

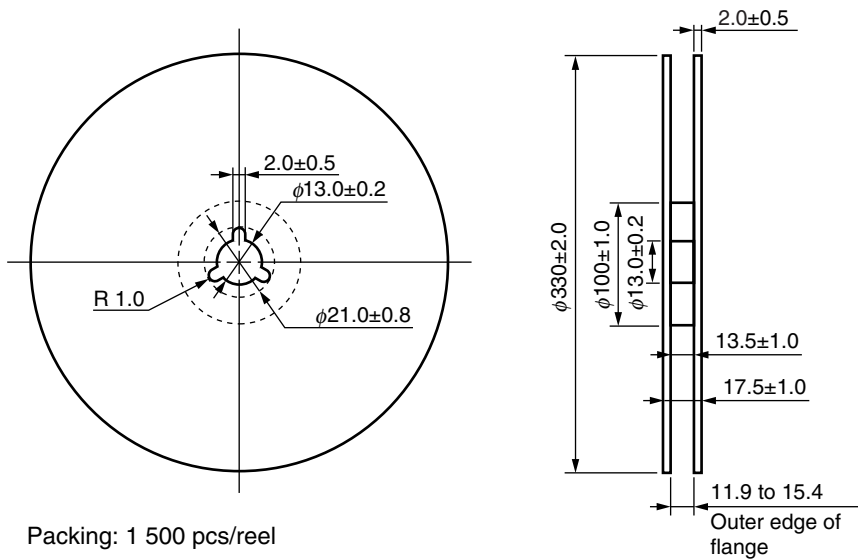
Outline and Dimensions (Tape)



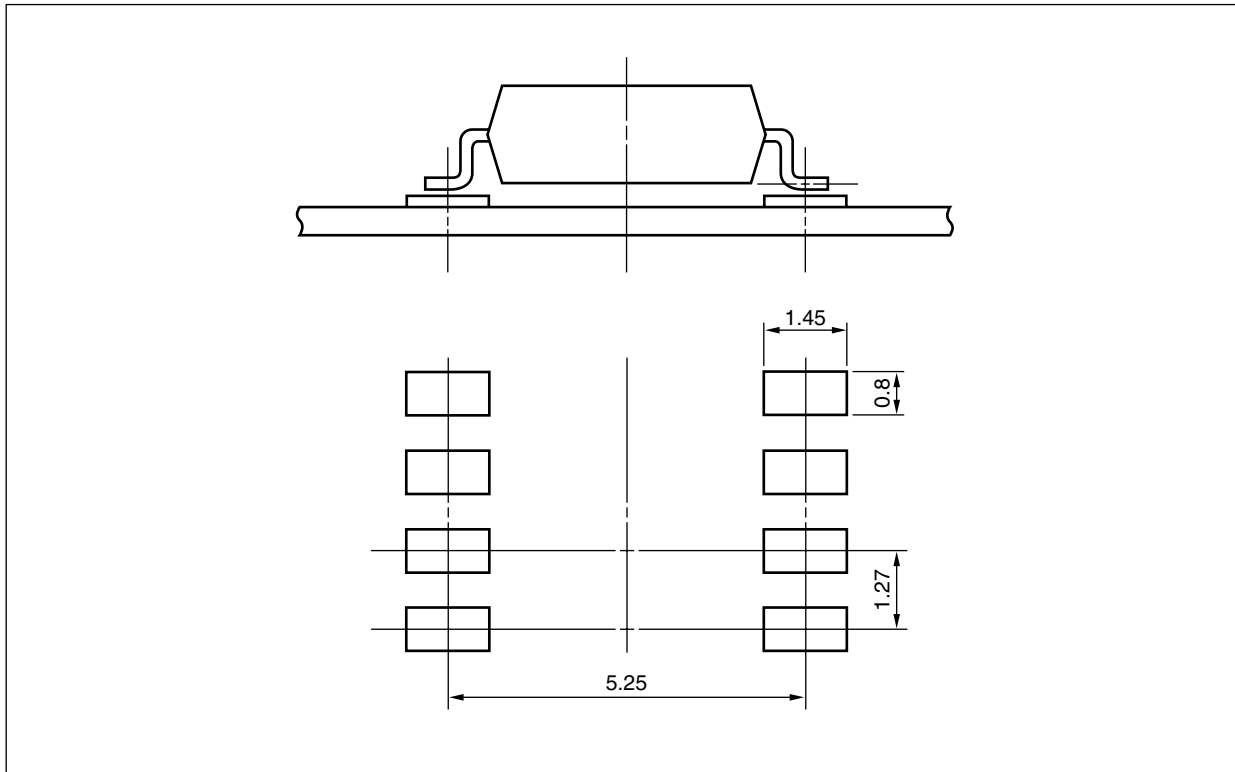
Taping Direction



Outline and Dimensions (Reel)



RECOMMENDED MOUNT PAD DIMENSIONS (UNIT: mm)



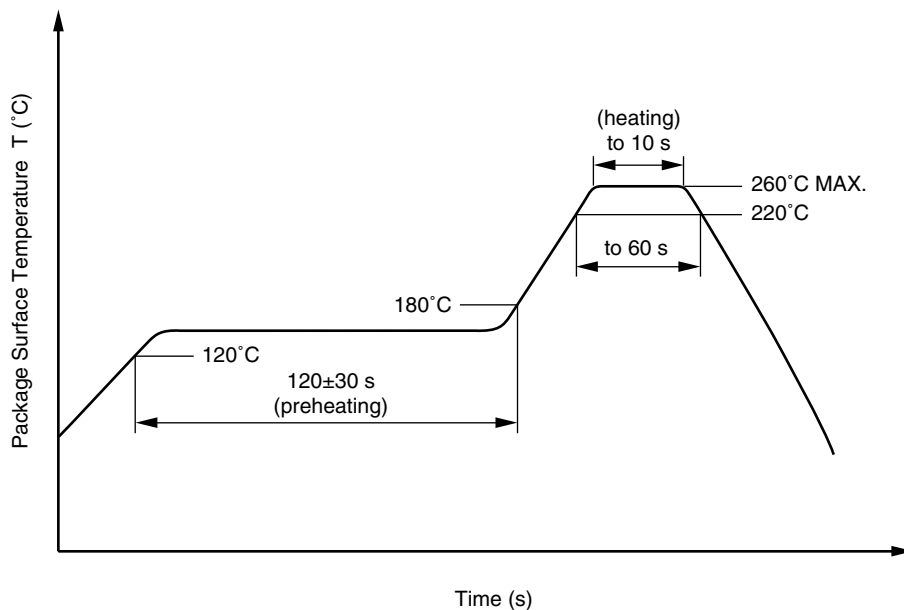
NOTES ON HANDLING

1. Recommended soldering conditions

(1) Infrared reflow soldering

- Peak reflow temperature 260°C or below (package surface temperature)
- Time of peak reflow temperature 10 seconds or less
- Time of temperature higher than 220°C 60 seconds or less
- Time to preheat temperature from 120 to 180°C 120±30 s
- Number of reflows Three
- Flux Rosin flux containing small amount of chlorine (The flux with a maximum chlorine content of 0.2 Wt% is recommended.)

Recommended Temperature Profile of Infrared Reflow



(2) Wave soldering

- Temperature 260°C or below (molten solder temperature)
- Time 10 seconds or less
- Preheating conditions 120°C or below (package surface temperature)
- Number of times One (Allowed to be dipped in solder including plastic mold portion.)
- Flux Rosin flux containing small amount of chlorine (The flux with a maximum chlorine content of 0.2 Wt% is recommended.)

(3) Soldering by soldering iron

- Peak temperature (lead part temperature) 350°C or below
- Time (each pins) 3 seconds or less
- Flux Rosin flux containing small amount of chlorine (The flux with a maximum chlorine content of 0.2 Wt% is recommended.)

- (a) Soldering of leads should be made at the point 1.5 to 2.0 mm from the root of the lead.
- (b) Please be sure that the temperature of the package would not be heated over 100°C.

(4) Cautions

- Fluxes

Avoid removing the residual flux with freon-based and chlorine-based cleaning solvent.

2. Cautions regarding noise

Be aware that when voltage is applied suddenly between the photocoupler's input and output or between collector-emitters at startup, the output transistor may enter the on state, even if the voltage is within the absolute maximum ratings.

USAGE CAUTIONS

1. Protect against static electricity when handling.
2. Avoid storage at a high temperature and high humidity.

<R> SPECIFICATION OF VDE MARKS LICENSE DOCUMENT

| Parameter | Symbol | Speck | Unit |
|--|---|-----------------------------|----------------------------|
| Application classification (DIN EN 60664-1 VDE0110 Part 1) for rated line voltages ≤ 300 Vr.m.s. for rated line voltages ≤ 600 Vr.m.s. | | IV III | |
| Climatic test class (DIN EN 60664-1 VDE0110) | | 55/100/21 | |
| Dielectric strength maximum operating isolation voltage Test voltage (partial discharge test, procedure a for type test and random test) $U_{pr} = 1.5 \times U_{IORM}, P_d < 5 \text{ pC}$ | U_{IORM} U_{pr} | 566 849 | V_{peak} V_{peak} |
| Test voltage (partial discharge test, procedure b for all devices) $U_{pr} = 1.875 \times U_{IORM}, P_d < 5 \text{ pC}$ | U_{pr} | 1 061 | V_{peak} |
| Highest permissible overvoltage | U_{TR} | 4 000 | V_{peak} |
| Degree of pollution (DIN EN 60664-1 VDE0110 Part 1) | | 2 | |
| Clearance distance | | >4.0 | mm |
| Creepage distance | | >4.0 | mm |
| Comparative tracking index (DIN IEC 112/VDE 0303 Part 1) | CTI | 175 | |
| Material group (DIN EN 60664-1 VDE0110 Part 1) | | III a | |
| Storage temperature range | T_{stg} | -55 to +125 | °C |
| Operating temperature range | T_A | -40 to +85 | °C |
| Isolation resistance, minimum value $V_{IO} = 500 \text{ V dc at } T_A = 25^\circ\text{C}$ $V_{IO} = 500 \text{ V dc at } T_A \text{ MAX. at least } 100^\circ\text{C}$ | Ris MIN. Ris MIN. | 10^{12} 10^{11} | Ω Ω |
| Safety maximum ratings (maximum permissible in case of fault, see thermal derating curve) Package temperature Current (input current I_F , $\Psi_i = 0$) Power (output or total power dissipation) Isolation resistance $V_{IO} = 500 \text{ V dc at } T_A = T_{si}$ | T_{si} I_{si} Ψ_{si} Ris MIN. | 150 150 600 10^9 | °C mA mW Ω |

- **The information in this document is current as of March, 2008. The information is subject to change without notice. For actual design-in, refer to the latest publications of NEC Electronics data sheets or data books, etc., for the most up-to-date specifications of NEC Electronics products. Not all products and/or types are available in every country. Please check with an NEC Electronics sales representative for availability and additional information.**
- No part of this document may be copied or reproduced in any form or by any means without the prior written consent of NEC Electronics. NEC Electronics assumes no responsibility for any errors that may appear in this document.
- NEC Electronics does not assume any liability for infringement of patents, copyrights or other intellectual property rights of third parties by or arising from the use of NEC Electronics products listed in this document or any other liability arising from the use of such products. No license, express, implied or otherwise, is granted under any patents, copyrights or other intellectual property rights of NEC Electronics or others.
- Descriptions of circuits, software and other related information in this document are provided for illustrative purposes in semiconductor product operation and application examples. The incorporation of these circuits, software and information in the design of a customer's equipment shall be done under the full responsibility of the customer. NEC Electronics assumes no responsibility for any losses incurred by customers or third parties arising from the use of these circuits, software and information.
- While NEC Electronics endeavors to enhance the quality, reliability and safety of NEC Electronics products, customers agree and acknowledge that the possibility of defects thereof cannot be eliminated entirely. To minimize risks of damage to property or injury (including death) to persons arising from defects in NEC Electronics products, customers must incorporate sufficient safety measures in their design, such as redundancy, fire-containment and anti-failure features.
- NEC Electronics products are classified into the following three quality grades: "Standard", "Special" and "Specific".
 The "Specific" quality grade applies only to NEC Electronics products developed based on a customer-designated "quality assurance program" for a specific application. The recommended applications of an NEC Electronics product depend on its quality grade, as indicated below. Customers must check the quality grade of each NEC Electronics product before using it in a particular application.
 "Standard": Computers, office equipment, communications equipment, test and measurement equipment, audio and visual equipment, home electronic appliances, machine tools, personal electronic equipment and industrial robots.
 "Special": Transportation equipment (automobiles, trains, ships, etc.), traffic control systems, anti-disaster systems, anti-crime systems, safety equipment and medical equipment (not specifically designed for life support).
 "Specific": Aircraft, aerospace equipment, submersible repeaters, nuclear reactor control systems, life support systems and medical equipment for life support, etc.

The quality grade of NEC Electronics products is "Standard" unless otherwise expressly specified in NEC Electronics data sheets or data books, etc. If customers wish to use NEC Electronics products in applications not intended by NEC Electronics, they must contact an NEC Electronics sales representative in advance to determine NEC Electronics' willingness to support a given application.

(Note)

- (1) "NEC Electronics" as used in this statement means NEC Electronics Corporation and also includes its majority-owned subsidiaries.
- (2) "NEC Electronics products" means any product developed or manufactured by or for NEC Electronics (as defined above).

| | | |
|-----------------------|----------------------|---|
| <p>Caution</p> | <p>GaAs Products</p> | <p>This product uses gallium arsenide (GaAs). GaAs vapor and powder are hazardous to human health if inhaled or ingested, so please observe the following points.</p> <ul style="list-style-type: none"> • Follow related laws and ordinances when disposing of the product. If there are no applicable laws and/or ordinances, dispose of the product as recommended below. <ol style="list-style-type: none"> 1. Commission a disposal company able to (with a license to) collect, transport and dispose of materials that contain arsenic and other such industrial waste materials. 2. Exclude the product from general industrial waste and household garbage, and ensure that the product is controlled (as industrial waste subject to special control) up until final disposal. • Do not burn, destroy, cut, crush, or chemically dissolve the product. • Do not lick the product or in any way allow it to enter the mouth. |
|-----------------------|----------------------|---|

Mouser Electronics

Authorized Distributor

Click to View Pricing, Inventory, Delivery & Lifecycle Information:

Renesas Electronics:

[PS9821-1-F4-AX](#) [PS9821-2-F3-AX](#) [PS9821-2-F4-AX](#) [PS9821-2-V-AX](#) [PS9821-2-AX](#) [PS9821-1-V-F3-AX](#) [PS9821-2-V-F3-AX](#)



Стандарт Электрон Связь

Мы молодая и активно развивающаяся компания в области поставок электронных компонентов. Мы поставляем электронные компоненты отечественного и импортного производства напрямую от производителей и с крупнейших складов мира.

Благодаря сотрудничеству с мировыми поставщиками мы осуществляем комплексные и плановые поставки широчайшего спектра электронных компонентов.

Собственная эффективная логистика и склад в обеспечивает надежную поставку продукции в точно указанные сроки по всей России.

Мы осуществляем техническую поддержку нашим клиентам и предпродажную проверку качества продукции. На все поставляемые продукты мы предоставляем гарантию .

Осуществляем поставки продукции под контролем ВП МО РФ на предприятия военно-промышленного комплекса России , а также работаем в рамках 275 ФЗ с открытием отдельных счетов в уполномоченном банке. Система менеджмента качества компании соответствует требованиям ГОСТ ISO 9001.

Минимальные сроки поставки, гибкие цены, неограниченный ассортимент и индивидуальный подход к клиентам являются основой для выстраивания долгосрочного и эффективного сотрудничества с предприятиями радиоэлектронной промышленности, предприятиями ВПК и научно-исследовательскими институтами России.

С нами вы становитесь еще успешнее!

Наши контакты:

Телефон: +7 812 627 14 35

Электронная почта: sales@st-electron.ru

Адрес: 198099, Санкт-Петербург,
Промышленная ул, дом № 19, литера Н,
помещение 100-Н Офис 331