

# DS1088L

# Fixed-Frequency EconOscillator™

## General Description

The DS1088L is a low-cost clock generator that produces a square-wave output without external timing components. The fixed-frequency oscillator is available in factory-calibrated frequencies from 312kHz to 133MHz. The device has a power-down pin for power-sensitive applications.

## Applications

- Printers
- Copiers
- Computer Peripherals
- POS Terminals
- Cable Modems

Ordering Information appears at end of data sheet.

## Features

- Factory-Programmed Square-Wave Generator from 312kHz to 133MHz
- Single Output
- No External Timing Components Required
- 2.7V to 3.6V Supply
- Power-Down Mode
- 1% Frequency Tolerance Over Temperature and Voltage
- Wide Temperature Range (-20°C to +85°C)

## Typical Operating Circuit



EconOscillator is a trademark of Maxim Integrated Products, Inc.

For related parts and recommended products to use with this part, refer to [www.maximintegrated.com/DS1088L.related](http://www.maximintegrated.com/DS1088L.related).

### Absolute Maximum Ratings

(Voltages relative to ground.)

Voltage Range on  $V_{CC}$ .....-0.5V to +6.0V  
 Voltage Range on  $\overline{PDN}$ .....-0.5V to ( $V_{CC} + 0.5V$ )\*  
 Operating Temperature Range..... -20°C to +85°C

Storage Temperature Range..... -55°C to +125°C  
 Lead Temperature (soldering, 10s) ..... +300°C  
 Soldering Temperature (reflow) ..... +260°C

\*Not to exceed +6.0V.

Stresses beyond those listed under "Absolute Maximum Ratings" may cause permanent damage to the device. These are stress ratings only, and functional operation of the device at these or any other conditions beyond those indicated in the operational sections of the specifications is not implied. Exposure to absolute maximum rating conditions for extended periods may affect device reliability.

### Recommended Operating Conditions

( $T_A = -20^\circ\text{C}$  to  $+85^\circ\text{C}$ , unless otherwise noted.)

| PARAMETER                                     | SYMBOL   | CONDITIONS | MIN                 | TYP | MAX                 | UNITS |
|---|----------|------------|---------------------|-----|---------------------|-------|
| Supply Voltage                                | $V_{CC}$ | (Note 1)   | 2.7                 |     | 3.6                 | V     |
| High-Level Input Voltage ( $\overline{PDN}$ ) | $V_{IH}$ |            | $0.7 \times V_{CC}$ |     | $V_{CC} + 0.3$      | V     |
| Low-Level Input Voltage ( $\overline{PDN}$ )  | $V_{IL}$ |            | -0.3                |     | $0.3 \times V_{CC}$ | V     |

### DC Electrical Characteristics

( $V_{CC} = 2.7V$  to  $3.6V$ ,  $T_A = -20^\circ\text{C}$  to  $+85^\circ\text{C}$ , unless otherwise noted.)

| PARAMETER                                     | SYMBOL    | CONDITIONS  | MIN            | TYP | MAX | UNITS         |
|---|-----------|---|----------------|-----|-----|---------------|
| High-Level Output Voltage (OUT)               | $V_{OH}$  | $I_{OH} = -4\text{mA}$ , $V_{CC} = \text{MIN}$                | $V_{CC} - 0.4$ |     |     | V             |
| Low-Level Output Voltage (OUT)                | $V_{OL}$  | $I_{OL} = 4\text{mA}$   |                |     | 0.4 | V             |
| High-Level Input Current ( $\overline{PDN}$ ) | $I_{IH}$  | $V_{CC} = 3.6V$   |                |     | 1   | $\mu\text{A}$ |
| Low-Level Input Current ( $\overline{PDN}$ )  | $I_{IL}$  | $V_{IL} = 0V$   | -1             |     |     | $\mu\text{A}$ |
| Supply Current (Active)                       | $I_{CC}$  | $V_{CC} = 3.6V$ , $C_L = 15\text{pF}$ , $f_O = 133\text{MHz}$ |                | 15  | 24  | mA            |
| Standby Current (Power-Down)                  | $I_{CCQ}$ | Power-down mode   |                |     | 10  | $\mu\text{A}$ |

## Oscillator Characteristics

( $V_{CC} = 2.7V$  to  $3.6V$ ,  $T_A = -20^\circ C$  to  $+85^\circ C$ , unless otherwise noted.)

| PARAMETER  | SYMBOL                       | CONDITIONS   | MIN            | TYP  | MAX   | UNITS |
|--|------------------------------|--|----------------|------|-------|-------|
| Output Frequency Range Available                 | $f_O$                        |  | 0.3124         |      | 133.3 | MHz   |
| Output Frequency Tolerance                       | $\frac{\Delta f_O}{f_O}$     | $V_{CC} = 3.3V$ , $T_A = +25^\circ C$ (Note 2)       | -0.3           |      | +0.3  | %     |
| Voltage Frequency Variation                      | $\frac{\Delta f_V}{f_O}$     | Over voltage range, $T_A = +25^\circ C$ (Note 3)     | -0.35          |      | +0.35 | %     |
| Temperature Frequency Variation                  | $\frac{\Delta f_T}{f_O}$     | Over temperature range, $V_{CC} = 3.3V$ (Notes 4, 5) | -20°C to +25°C | -0.7 | +0.7  | %     |
|  |                              | +25°C to +85°C                                       | -0.5           | +0.5 |       |       |
| Frequency Variation Over Voltage and Temperature | $\frac{\Delta f_{V,T}}{f_O}$ | Over voltage and temperature range                   | -1.0           |      | +1.0  | %     |

## AC Electrical Characteristics

( $V_{CC} = 2.7V$  to  $3.6V$ ,  $T_A = -20^\circ C$  to  $+85^\circ C$ , unless otherwise noted.)

| PARAMETER                                   | SYMBOL               | CONDITIONS                       | MIN | TYP | MAX | UNITS   |
|---|----------------------|----------------------------------|-----|-----|-----|---------|
| Power-Up Time                               | $t_{POR} + t_{STAB}$ | (Note 6)                         |     |     | 100 | $\mu s$ |
| OUT Disabled After Entering Power-Down Mode | $t_{PDN}$            | (Note 7)                         |     |     | 7   | $\mu s$ |
| Load Capacitance                            | $C_L$                | (Note 8)                         |     | 15  | 50  | pF      |
| Output Duty Cycle (OUT)                     |                      | $f_O < 80MHz$ , $f_O \geq 80MHz$ | 40  |     | 60  | %       |
|   |                      | $f_O < 80MHz$                    |     | 50  |     |         |

**Note 1:** All voltages are referenced to ground.

**Note 2:** Typical frequency shift due to aging is within  $\pm 0.2\%$ . Aging stressing includes level 1 moisture reflow preconditioning (24hr  $+125^\circ C$  bake, 168hr  $+85^\circ C/85\%RH$  moisture soak, and three solder reflow passes  $+240^\circ C +0^\circ C/-5^\circ C$  peak) followed by 1000hr (max)  $V_{CC}$  biased  $+125^\circ C$  OP/L, 1000hr unbiased  $+150^\circ C$  bake, 1000 temperature cycles at  $-55^\circ C$  to  $+125^\circ C$ , and 168hr  $+121^\circ C/2$  ATM steam/unbiased autoclave.

**Note 3:** This is the change in output frequency due to changes in voltage at  $T_A = +25^\circ C$ .

**Note 4:** Guaranteed by design.

**Note 5:** This is the change in output frequency due to changes in temperature from the  $+25^\circ C$  frequency at  $V_{CC} = 3.3V$ .

**Note 6:** This indicates the time elapsed between power-up and the output becoming active. An on-chip delay is intentionally introduced to allow the oscillator to stabilize.  $t_{STAB}$  is equivalent to approximately 512 clock cycles and will depend on the programmed oscillator frequency.

**Note 7:** Output disabled in two cycles or less of the output frequency.

**Note 8:** Output voltage swings may be impaired at high frequencies combined with high-output loading.

Typical Operating Characteristics

( $V_{CC} = 3.3V$ ,  $T_A = +25^\circ C$ , unless otherwise noted.)



### Pin Configuration



### Pin Description

| PIN  | NAME                    | FUNCTION   |
|------|-------------------------|--|
| 1    | OUT                     | Oscillator Output  |
| 2, 3 | V <sub>CC</sub>         | Power Supply   |
| 4, 5 | GND                     | Ground   |
| 6    | $\overline{\text{PDN}}$ | Active-Low Power-Down. When the pin is high, the oscillator is enabled. When the pin is low, the oscillator is disabled (power-down mode). |
| 7    | DNC                     | Do Not Connect. The DNC pins are internally connected to ground.   |
| 8    | DNC                     | Do Not Connect   |

## Detailed Description

The DS1088L is a low-cost clock generator that produces a square-wave output without external timing components. The fixed-frequency oscillator is available in factory-calibrated frequencies from 312kHz to 133MHz. The device has a power-down pin for power-sensitive applications. A block diagram is shown in [Figure 1](#).

### Output Frequency

The internal oscillator frequency is divided by the factory-programmed prescaler to produce an output frequency of 312kHz to 133MHz. Contact the factory for custom frequencies.

### Power-Down Mode

The  $\overline{\text{PDN}}$  pin disables the internal oscillator and the oscillator output for power-sensitive applications. The power-down pin must remain low for at least two output frequency cycles plus 10 $\mu\text{s}$  for deglitching purposes. On power-up, the output is disabled until power is stable and the voltage-controlled oscillator has generated 512 clock cycles.

## Applications Information

### Power-Supply Decoupling

To achieve the best results when using the DS1088L, the power supply must be decoupled with 0.01 $\mu\text{F}$  and 0.1 $\mu\text{F}$  high-quality, ceramic, surface-mount capacitors. Surface-mount components minimize lead inductance, which improves performance, and tend to have adequate high-frequency response for decoupling applications. These capacitors should be placed as close as possible to the VCC and GND pins.

### Chip Information

SUBSTRATE CONNECTED TO GROUND

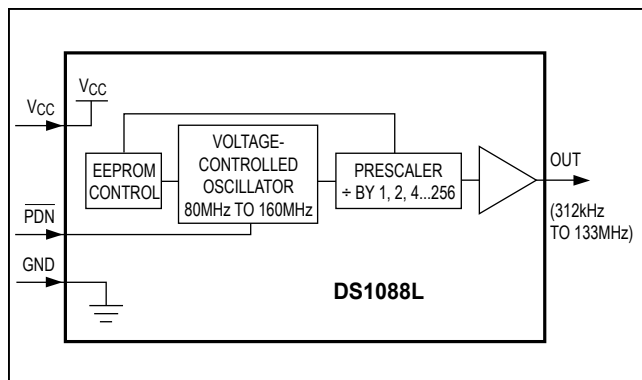


Figure 1. Block Diagram

## Ordering Information

| PART          | FREQUENCY (MHz) | TEMP RANGE     | PIN-PACKAGE |
|---------------|-----------------|----------------|-------------|
| DS1088LU-02+  | 2.048           | -20°C to +85°C | 8 $\mu$ SOP |
| DS1088LU-10+  | 10.0            | -20°C to +85°C | 8 $\mu$ SOP |
| DS1088LU-16+  | 16.6            | -20°C to +85°C | 8 $\mu$ SOP |
| DS1088LU-66+  | 66.6            | -20°C to +85°C | 8 $\mu$ SOP |
| DS1088LU-100+ | 100.0           | -20°C to +85°C | 8 $\mu$ SOP |
| DS1088LU-yyy+ | (see note)      | -20°C to +85°C | 8 $\mu$ SOP |

**Note:** For more information about custom frequencies, email [Custom\\_EconOscillators\\_Info@maximintegrated.com](mailto:Custom_EconOscillators_Info@maximintegrated.com).

+Denotes a lead(Pb)-free/RoHS-compliant package.

yyy = frequency

## Package Information

For the latest package outline information and land patterns (footprints), go to [www.maximintegrated.com/packages](http://www.maximintegrated.com/packages). Note that a "+", "#", or "-" in the package code indicates RoHS status only. Package drawings may show a different suffix character, but the drawing pertains to the package regardless of RoHS status.

| PACKAGE TYPE | PACKAGE CODE | OUTLINE NO.             | LAND PATTERN NO.        |
|--------------|--------------|-------------------------|-------------------------|
| 8 $\mu$ SOP  | U8+1         | <a href="#">21-0036</a> | <a href="#">90-0092</a> |

## Revision History

| REVISION NUMBER | REVISION DATE | DESCRIPTION   | PAGES CHANGED |
|-----------------|---------------|---|---------------|
| 0               | 10/04         | Initial release   | —             |
| 1               | 5/05          | Updated the <i>Oscillator Characteristics</i> table and added Note 8  | 3             |
| 2               | 1/12          | Added lead(Pb)-free ordering option to the <i>Ordering Information</i> table; added the lead and soldering temperature information to the <i>Absolute Maximum Ratings</i> section | 1, 2          |
| 3               | 4/15          | Removed automotive reference from data sheet  | 1             |

For pricing, delivery, and ordering information, please contact Maxim Direct at 1-888-629-4642, or visit Maxim Integrated's website at [www.maximintegrated.com](http://www.maximintegrated.com).

Maxim Integrated cannot assume responsibility for use of any circuitry other than circuitry entirely embodied in a Maxim Integrated product. No circuit patent licenses are implied. Maxim Integrated reserves the right to change the circuitry and specifications without notice at any time. The parametric values (min and max limits) shown in the *Electrical Characteristics* table are guaranteed. Other parametric values quoted in this data sheet are provided for guidance.





## Стандарт Электрон Связь

Мы молодая и активно развивающаяся компания в области поставок электронных компонентов. Мы поставляем электронные компоненты отечественного и импортного производства напрямую от производителей и с крупнейших складов мира.

Благодаря сотрудничеству с мировыми поставщиками мы осуществляем комплексные и плановые поставки широчайшего спектра электронных компонентов.

Собственная эффективная логистика и склад в обеспечивает надежную поставку продукции в точно указанные сроки по всей России.

Мы осуществляем техническую поддержку нашим клиентам и предпродажную проверку качества продукции. На все поставляемые продукты мы предоставляем гарантию .

Осуществляем поставки продукции под контролем ВП МО РФ на предприятия военно-промышленного комплекса России , а также работаем в рамках 275 ФЗ с открытием отдельных счетов в уполномоченном банке. Система менеджмента качества компании соответствует требованиям ГОСТ ISO 9001.

Минимальные сроки поставки, гибкие цены, неограниченный ассортимент и индивидуальный подход к клиентам являются основой для выстраивания долгосрочного и эффективного сотрудничества с предприятиями радиоэлектронной промышленности, предприятиями ВПК и научно-исследовательскими институтами России.

С нами вы становитесь еще успешнее!

### Наши контакты:

**Телефон:** +7 812 627 14 35

**Электронная почта:** [sales@st-electron.ru](mailto:sales@st-electron.ru)

**Адрес:** 198099, Санкт-Петербург,  
Промышленная ул, дом № 19, литера Н,  
помещение 100-Н Офис 331