

FEATURES

- Peregrine Semiconductor PE22100 compatible
- 3.3V and 5V versions
- Isolation tested to 4kV_{DC}
- Toroidal construction
- Low profile
- Industry-standard pinout
- UL 94 V-0 package materials
- Industrial temperature range
- J-STD-020D reflow (SM versions)
- RoHS compliant
- Backwards compatible with Sn/Pb soldering systems

DESCRIPTION

The 782100 series of converter transformers are specifically designed for use with the Peregrine Semiconductor PE22100 chip set to provide isolated power supplies for transceivers in isolated interface applications.

SELECTION GUIDE

Order Code	Input Voltage	Output Voltage	Isolation ² Voltage	Turns Ratio	Package Type
	V	V	V _{DC}		
782100/33VC	3.3	3.3	4000	1CT:1.33CT	DIL
782100/53VC	5	3	4000	1.14CT:1CT	
782100/35JVC	3.3	5.0	4000	1:2.14	SM
782100/55JVC	5.0	5.0	4000	1:1.33	

ORDER CODE DETAILS

Order Code	Package Type	Packaging Type	Quantity
782100/XX(J)VC	6 Pin (SM) / DIL	Tube	50
782100/XX.JVC-R	6 Pin SM	Tape & Reel	500

782100/33VC CHARACTERISTICS

Parameter	Conditions	Min.	Max.	Units
Primary Inductance, L _p ¹	100kHz, 20mV	190	310	μH
Leakage Inductance, L _l ¹	100kHz, 250mV		8	μH
Inter winding Capacitance, C _{ww}	100kHz, 250mV		8	pF
Primary D.C. Resistance, R _{DC} ¹	<0.1VDC		600	mΩ
Volt-time Product, Et	Pins 1/2 or 2/3	13		Vμs

782100/53VC CHARACTERISTICS

Parameter	Conditions	Min.	Max.	Units
Primary Inductance, L _p ¹	100kHz, 20mV	150	260	μH
Leakage Inductance, L _l ¹	100kHz, 250mV		8	μH
Inter winding Capacitance, C _{ww}	100kHz, 250mV		8	pF
Primary D.C. Resistance, R _{DC} ¹	<0.1VDC		600	mΩ
Volt-time Product, Et	Pins 1/2 or 2/3	13		Vμs

782100/35JVC CHARACTERISTICS

Parameter	Conditions	Min.	Max.	Units
Primary Inductance, L _p ¹	100kHz, 20mV	110	203	μH
Leakage Inductance, L _l ¹	100kHz, 250mV		5.00	μH
Inter winding Capacitance, C _{ww}	100kHz, 250mV		8.00	pF
Primary D.C. Resistance, R _{DC} ¹	>0.1VDC		0.50	Ω
Volt-time Product, Et	Pins 1/2 or 2/3	18		Vμs

782100/55JVC CHARACTERISTICS

Parameter	Conditions	Min.	Max.	Units
Primary Inductance, L _p ¹	100kHz, 20mV	170	335	μH
Leakage Inductance, L _l ¹	100kHz, 250mV		8.00	μH
Inter winding Capacitance, C _{ww}	100kHz, 250mV		8.00	pF
Primary D.C. Resistance, R _{DC} ¹	>0.1VDC		0.60	Ω
Volt-time Product, Et	Pins 1/2 or 2/3	25		Vμs

All specifications typical at T_A=25°C

1. L_p, L_l and R_{DC} measured between pins 1-3.
2. Flash tested for 1 second



For full details go to
www.murata-ps.com/rohs

ABSOLUTE MAXIMUM RATINGS

Operating free air temperature range	-40°C to 85°C
Storage temperature range	-50°C to 125°C

VC VARIANTS SOLDERING INFORMATION

Pin finish	Matte tin
Max. peak reflow temperature	260°C for 10 seconds

JVC VARIANTS SOLDERING INFORMATION

Pin finish	Matte tin
Max. peak reflow temperature	245°C
Moisture sensitivity level ³	1
Max. time above liquidous (217 °C)	100s

TECHNICAL NOTES

ISOLATION VOLTAGE

‘Hi Pot Test’, ‘Flash Tested’, ‘Withstand Voltage’, ‘Proof Voltage’, ‘Dielectric Withstand Voltage’ & ‘Isolation Test Voltage’ are all terms that relate to the same thing, a test voltage, applied for a specified time, across a component designed to provide electrical isolation, to verify the integrity of that isolation.

All products in this series are 100% production tested at their stated isolation voltage.

A question commonly asked is, “What is the continuous voltage that can be applied across the part in normal operation?”

For a part holding no specific agency approvals both input and output should normally be maintained within SELV limits i.e. less than 42.4V peak, or 60VDC. The isolation test voltage represents a measure of immunity to transient voltages and the part should never be used as an element of a safety isolation system. The part could be expected to function correctly with several hundred volts offset applied continuously across the isolation barrier; but then the circuitry on both sides of the barrier must be regarded as operating at an unsafe voltage and further isolation/insulation systems must form a barrier between these circuits and any user-accessible circuitry according to safety standard requirements.

REPEATED HIGH-VOLTAGE ISOLATION TESTING

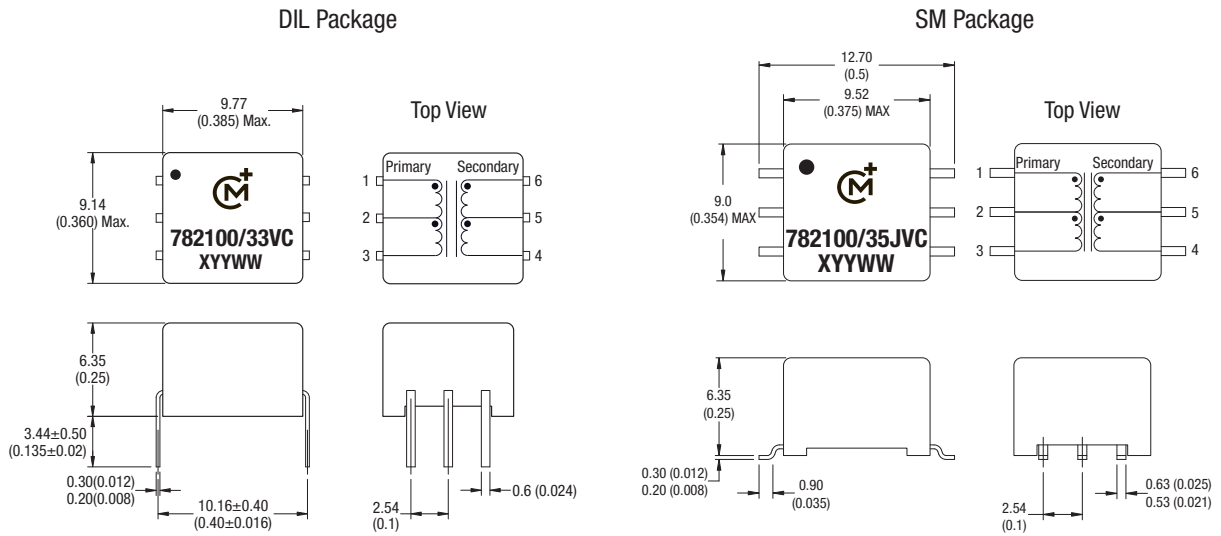
It is well known that repeated high-voltage isolation testing of a barrier component can actually degrade isolation capability, to a lesser or greater degree depending on materials, construction and environment. This series has toroidal isolation transformers, with no additional insulation between primary and secondary windings of enameled wire. While parts can be expected to withstand several times the stated test voltage, the isolation capability does depend on the wire insulation. Any material, including this enamel (typically polyurethane) is susceptible to eventual chemical degradation when subject to very high applied voltages thus implying that the number of tests should be strictly limited. We therefore strongly advise against repeated high voltage isolation testing, but if it is absolutely required, that the voltage be reduced by 20% from specified test voltage.

This consideration equally applies to agency recognized parts rated for better than functional isolation where the wire enamel insulation is always supplemented by a further insulation system of physical spacing or barriers.

3. Representative samples of the product were subjected to the conditioning described in IPC/JEDEC J-STD-020D and passed electrical testing, package coplanarity and visual inspection which revealed no external cracks or changes in package body flatness.

PACKAGE SPECIFICATIONS

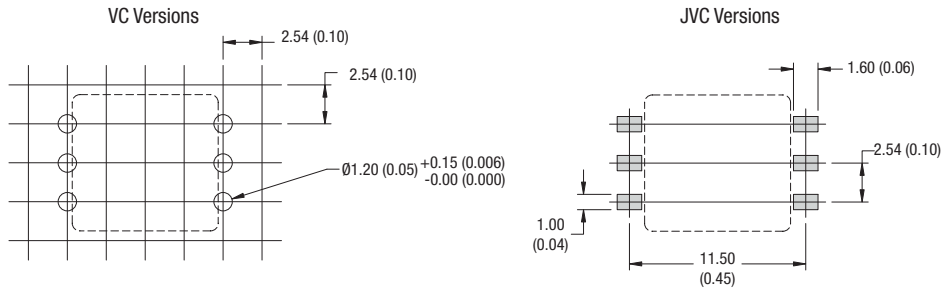
MECHANICAL DIMENSIONS



Unless otherwise stated all dimensions in mm (inches) ± 0.25 (0.01). All pins on a 2.54 (0.1) pitch and within ± 0.25 (0.01) of true position.

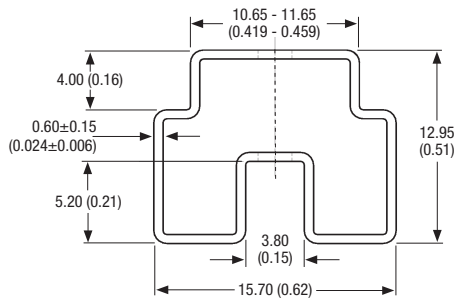
Package weight: 1.1g Typ.

RECOMMENDED FOOTPRINT DETAILS



Unless otherwise stated all dimensions in mm (inches) ± 0.25 (0.01). All pins on a 2.54 (0.1) pitch and within ± 0.25 (0.01) of true position.

TUBE OUTLINE DIMENSIONS



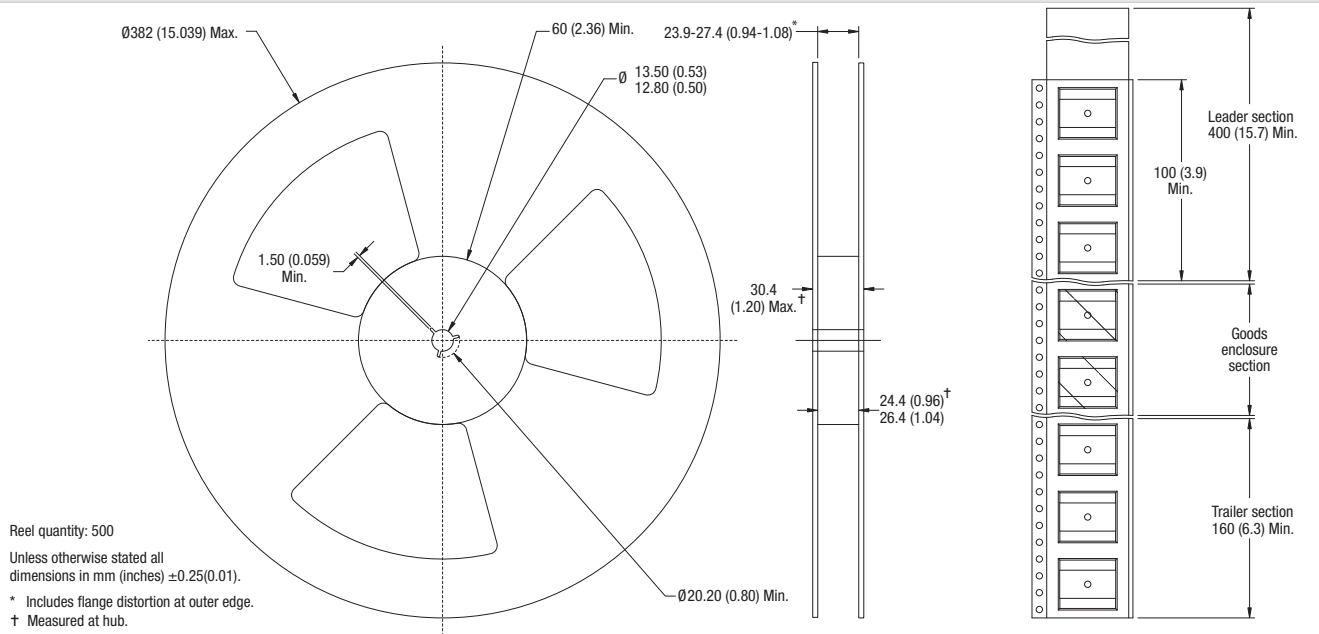
Tube material: Antistatic coated clear pvc

Unless otherwise stated all dimensions in mm (inches) ± 0.25 (0.01).

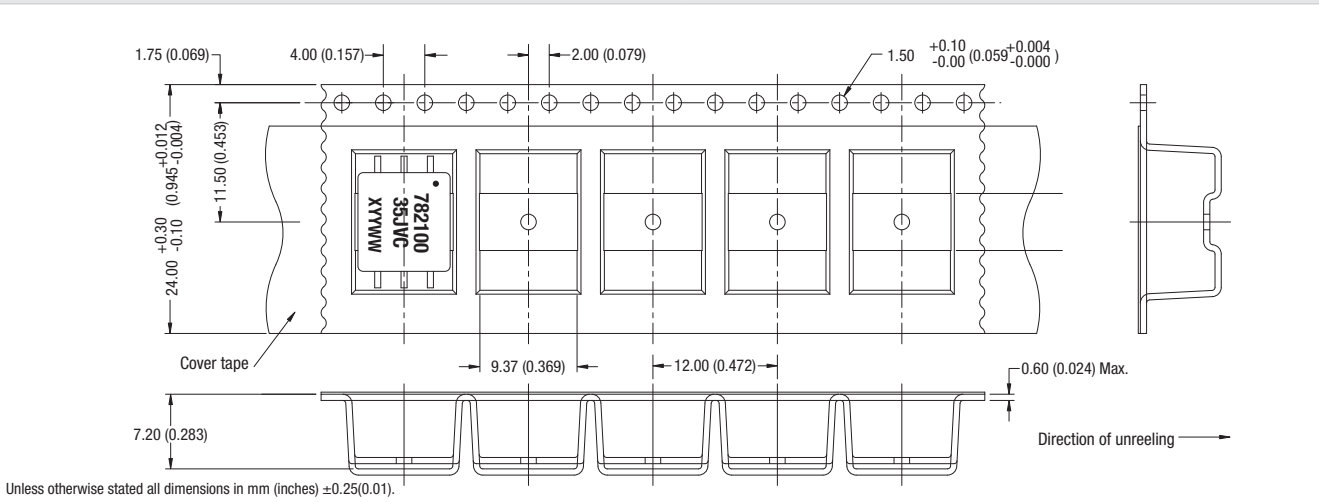
Tube length: 500±2 (19.7±0.08)
Tube quantity: 50

TAPE & REEL SPECIFICATIONS

REEL OUTLINE DIMENSIONS



TAPE OUTLINE DIMENSIONS



This product is subject to the following [operating requirements](#) and the [Life and Safety Critical Application Sales Policy](#):

Refer to: <http://www.murata-ps.com/requirements/>

Murata Power Solutions, Inc. makes no representation that the use of its products in the circuits described herein, or the use of other technical information contained herein, will not infringe upon existing or future patent rights. The descriptions contained herein do not imply the granting of licenses to make, use, or sell equipment constructed in accordance therewith. Specifications are subject to change without notice.

© 2017 Murata Power Solutions, Inc.



**Стандарт
Электрон
Связь**

Мы молодая и активно развивающаяся компания в области поставок электронных компонентов. Мы поставляем электронные компоненты отечественного и импортного производства напрямую от производителей и с крупнейших складов мира.

Благодаря сотрудничеству с мировыми поставщиками мы осуществляем комплексные и плановые поставки широчайшего спектра электронных компонентов.

Собственная эффективная логистика и склад в обеспечивает надежную поставку продукции в точно указанные сроки по всей России.

Мы осуществляем техническую поддержку нашим клиентам и предпродажную проверку качества продукции. На все поставляемые продукты мы предоставляем гарантию .

Осуществляем поставки продукции под контролем ВП МО РФ на предприятия военно-промышленного комплекса России , а также работаем в рамках 275 ФЗ с открытием отдельных счетов в уполномоченном банке. Система менеджмента качества компании соответствует требованиям ГОСТ ISO 9001.

Минимальные сроки поставки, гибкие цены, неограниченный ассортимент и индивидуальный подход к клиентам являются основой для выстраивания долгосрочного и эффективного сотрудничества с предприятиями радиоэлектронной промышленности, предприятиями ВПК и научно-исследовательскими институтами России.

С нами вы становитесь еще успешнее!

Наши контакты:

Телефон: +7 812 627 14 35

Электронная почта: sales@st-electron.ru

Адрес: 198099, Санкт-Петербург,
Промышленная ул, дом № 19, литера Н,
помещение 100-Н Офис 331