

Evaluating the **ADF5901** 24 GHz Voltage Controlled Oscillator (VCO) and Programmable Gain Amplifier (PGA) with a 2-Channel Power Amplifier (PA) Output

FEATURES

- Contains **ADF5901** 24 GHz VCO and PGA with a 2-channel PA output
- Contains **ADF4159** 13 GHz fractional-N frequency synthesizer
- Accompanying software allows control of the **ADF5901** and the **ADF4159** functions from a PC

EVALUATION KIT CONTENTS

- EV-ADF5901SD2Z** evaluation board

ADDITIONAL EQUIPMENT

- PC running Windows® XP or more recent version
- Analog Devices, Inc., **EVAL-SDP-CS1Z** system demonstration platform serial (SDP-S) board
- Spectrum analyzer
- Oscilloscope (optional)
- 5 V power supply

DOCUMENTS NEEDED

- ADF5901** data sheet

REQUIRED SOFTWARE

- Analog Devices **ADF5901** software

GENERAL DESCRIPTION

The **EV-ADF5901SD2Z** evaluation board allows the user to evaluate the performance of the **ADF5901** 24 GHz VCO and PGA with a 2-channel PA output. Figure 1 shows the **EV-ADF5901SD2Z**, which contains the **ADF5901**, the **ADF4159**, three high frequency, K-type SMA connectors for the local oscillator (LO) output and two transceiver (Tx) outputs, two high frequency SMA connectors for the AUX and the AUX outputs, banana connectors for power supply, and a connector for the serial interface.

The **EV-ADF5901SD2Z** evaluation kit also contains software that is compatible with Windows XP and later versions to allow easy programming of the device.

The **EV-ADF5901SD2Z** evaluation board requires an **EVAL-SDP-CS1Z** (SDP-S) controller board, which is not supplied with the kit. The **EVAL-SDP-CS1Z** allows software programming of the **ADF5901** device.

Full specifications on the **ADF5901** are available in the **ADF5901** data sheet, which should be consulted in conjunction with this user guide when working with the evaluation board.

EV-ADF5901SD2Z EVALUATION BOARD PICTURE

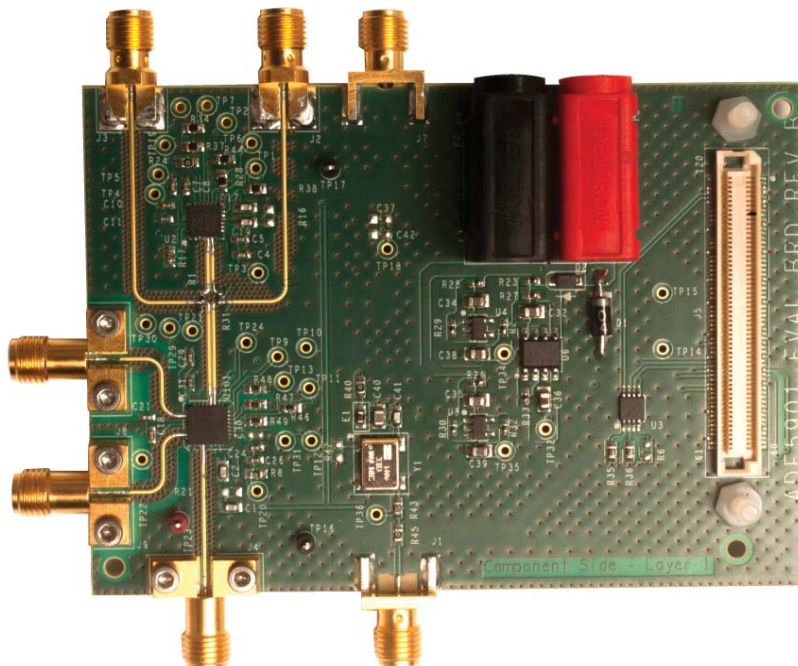


Figure 1.

TABLE OF CONTENTS

Features	1	Input Signals.....	3
Evaluation Kit Contents.....	1	Output Signals	3
Additional Equipment	1	Default Operation	3
Documents Needed.....	1	Evaluation Board Quick Start Procedures	4
Required Software	1	EV-ADF5901SD2Z Control Software.....	4
General Description	1	Evaluation and Testing.....	8
EV-ADF5901SD2Z Evaluation Board Picture.....	1	Evaluation Board Schematics and Artwork.....	9
Revision History	2	Ordering Information.....	17
Evaluation Board Hardware.....	3	Bill of Materials.....	17
Power Supplies	3	Related Links.....	18

REVISION HISTORY

12/15—Revision 0: Initial Version

EVALUATION BOARD HARDWARE

The [EV-ADF5901SD2Z](#) evaluation board requires the use of an [EVAL-SDP-CS1Z](#) (SDP-S) controller board to program the device. The [EVAL-SDP-CS1Z](#) is not included and must be purchased separately. The [EV-ADF5901SD2Z](#) schematics are shown in Figure 7 to Figure 14. The [EV-ADF5901SD2Z](#) evaluation board layout is shown in Figure 15 and Figure 16.

POWER SUPPLIES

The [EV-ADF5901SD2Z](#) board is powered via a 5 V external supply that must be connected as described in the Evaluation Board Quick Start Procedures section.

INPUT SIGNALS

The 100 MHz temperature controlled crystal oscillator (TCXO) provides the necessary reference signal. An external REF_{IN} can be used, if desired.

Control V_{TUNE} from the [ADF4159](#). Alternatively, control V_{TUNE} externally via J7 by removing R20 and powering down the [ADF4159](#).

OUTPUT SIGNALS

The Tx and LO outputs from the [ADF5901](#) contain dc bias voltage and are available on the J8 (TXOUT1), J9 (TXOUT2) and J4 (LOOUT) output SMAs.

DEFAULT OPERATION

All the necessary components to operate the [ADF5901](#) are included on the [EV-ADF5901SD2Z](#).

EVALUATION BOARD QUICK START PROCEDURES

Take the following steps to evaluate the [ADF5901](#):

1. Connect the power supply to the [EV-ADF5901SD2Z](#):
 - a. 5 V to the Banana Connector P3
 - b. GND to the Banana Connector P2.
2. Install the [ADF5901](#) software by following the on-screen instructions.
3. Connect the [EVAL-SDP-CS1Z](#) controller board to the PC and to the [EV-ADF5901SD2Z](#).
4. Install the hardware driver; follow the on-screen instructions.
5. Run the [ADF5901](#) software.
6. Choose [ADF5901](#) and [ADF4159](#) and **SDP board (black)** in the **Select Device and Connection** tab of the software front panel window (see Figure 2).
7. Ensure that a **SDP board connected** message appears on the front panel (see Figure 2).
8. Connect an ac-coupled signal source analyzer to the TX2 output SMA, J9.
9. Click the [ADF5901 Controls](#) tab and click **Write All Registers** (see Figure 4).
10. Click the [ADF5901 Controls](#) tab and click **Initialize ADF5901** (see Figure 3).
11. Measure the result on TXOUT2 (J9).

EV-ADF5901SD2Z CONTROL SOFTWARE

The control software for the [EV-ADF5901SD2Z](#) accompanies the [EV-ADF5901SD2Z](#) on a CD. For software installation procedures, follow the on-screen instructions.

To run the [EV-ADF5901SD2Z](#) control software, take the following steps:

1. Choose the [ADF5901](#) and [ADF4159](#) file on the desktop or in the **Start** menu.
2. Within the **Select Device and Connection** tab, choose your device and your connection method, and click **Connect**.
3. Confirm that **Analog Devices Eval Board connected** displays at the bottom left of the window. Otherwise, the software has no connection to the [EV-ADF5901SD2Z](#) evaluation board.

Note that when connecting the [EV-ADF5901SD2Z](#), it takes approximately 5 sec to 10 sec for the status label to change.

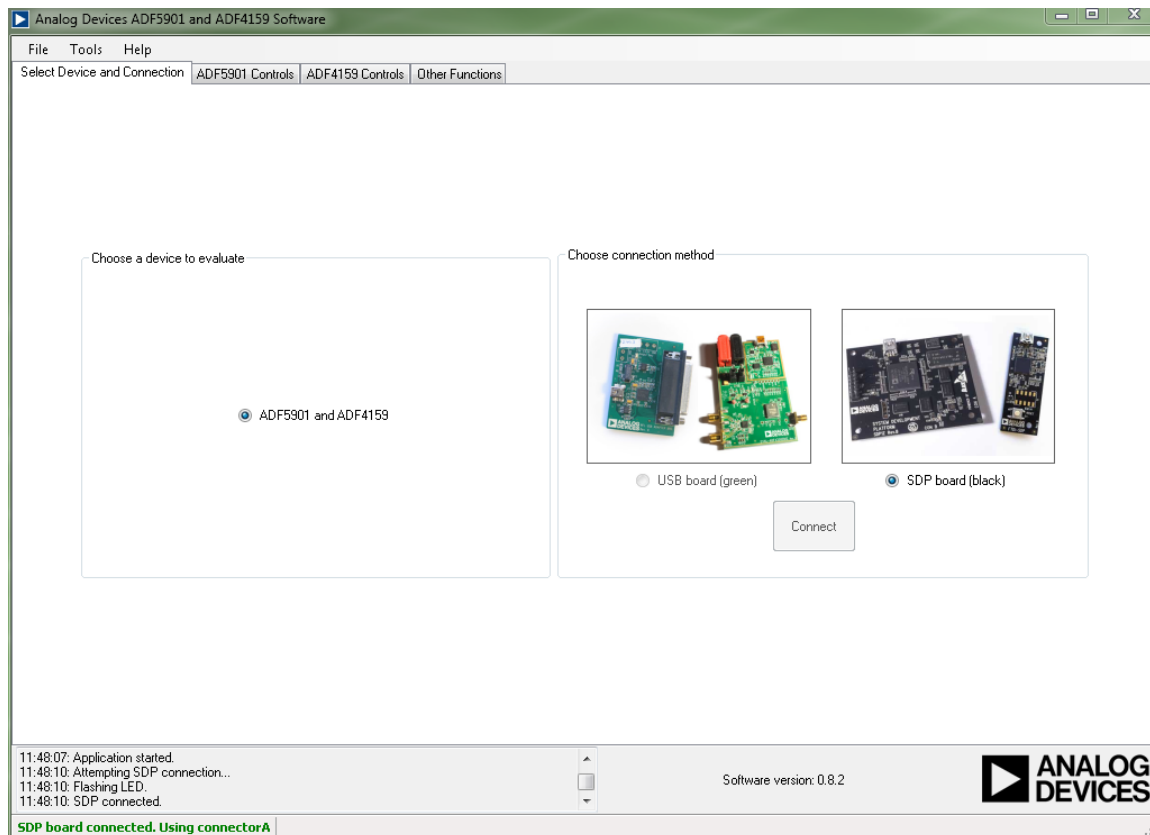


Figure 2. Software Front Panel Display—**Select Device and Connection**

To control the **ADF5901** settings (see Figure 3), select the **ADF5901 Controls** tab.

To set the calibration frequency for the **ADF5901**, go to the **RF Settings** section shown in Figure 3 under the **ADF5901 Controls** tab. Set the frequency to the center of the frequency band. Type the desired output frequency in the **VCO Frequency** text box (in MHz).

Use the register section within the **ADF5901 Controls** tab to select from the general options available for the **ADF5901**, including calibration control and register read back.

At initial power-up of the device, click **Initialize ADF5901** to perform the initialization sequence as described in the **ADF5901** data sheet.

Following the sequence, the **ADF5901** powers up, and all the **ADF5901** blocks calibrate.

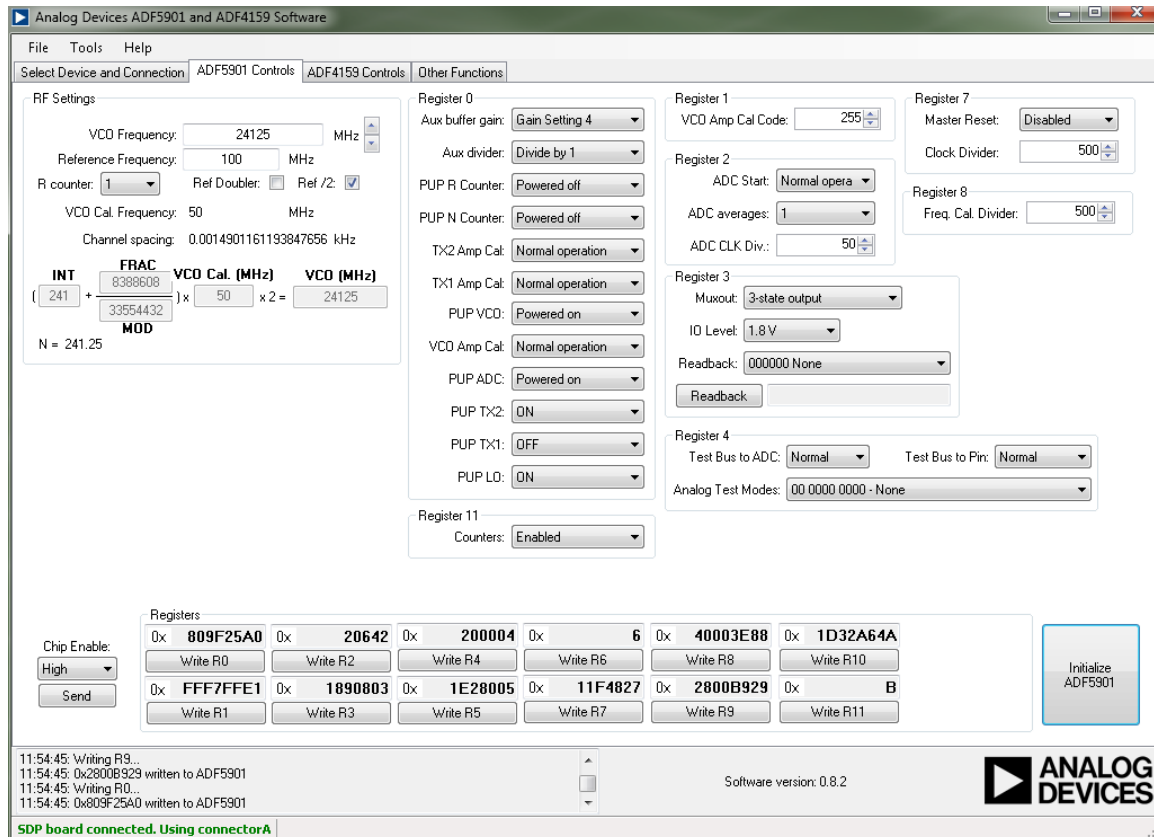


Figure 3. Software Front Panel Display—**ADF5901 Controls**

To control the **ADF4159** settings (see Figure 4), select the **ADF4159 Controls** tab.

Within the **ADF4159 Controls** tab, select the **Main Controls** tab to set the **RF Settings** and **PLL Settings**. In the **RF Settings** area, set the **RF VCO Output Frequency** to half the **ADF5901** VCO output. In addition, set the **Reference Frequency** the same as the applied reference signal. Calculate the PFD frequency from the reference frequency, the R counter, the reference doubler, and the reference divide by 2. Ensure that the value in the **PFD Frequency** box matches the value specified in the loop filter design.

In the **PLL Settings** area, program the **Charge Pump Setting** to the value for which the loop filter was designed. Program the **Phase Detector Polarity** to negative when using an inverting active loop filter configuration. (Note that a passive loop filter was used on this evaluation board).

Use the **Muxout** drop-down box within the **Main Controls** tab to choose the signal connected to the output of the MUXOUT pin.

Click the button under each register value within the **Main Controls** tab to write that value to the device. The register values are shown in Figure 4 at the bottom of the window. When the background of a register value is green, this indicates that the value was changed and needs to be written to the device.

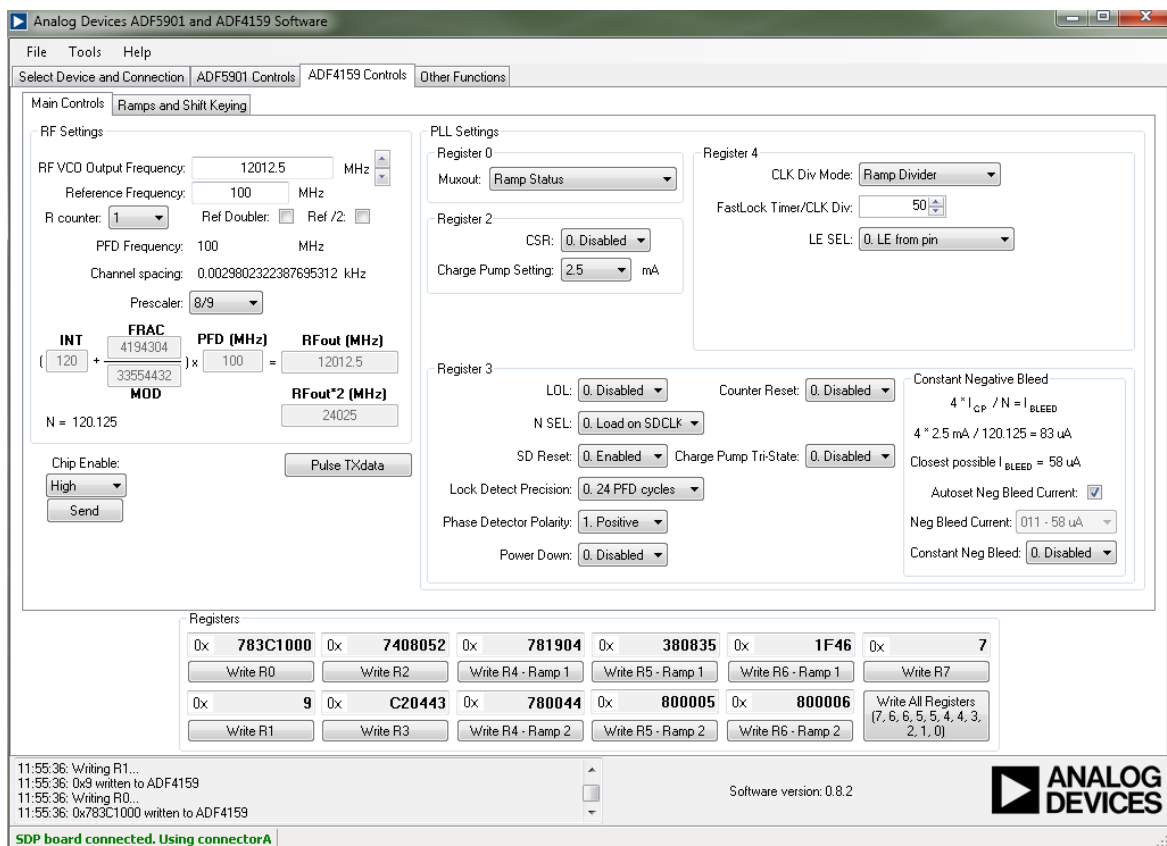


Figure 4. Software Front Panel Display—**ADF4159 Controls**

To configure the ramp functionality of the [ADF4159](#), select the **Ramps and Shift Keying** tab.

To select the ramp type, go to the **Ramp mode** drop-down box within the **Ramps and Shift Keying** tab, and set the various ramp parameters in the **CLK1** box and **Up Ramp** boxes.

Example

Figure 5 shows the ramping settings for an example of a continuous triangular ramp of 1000 up ramp steps over 200 MHz at the

[ADF5901](#) Tx output with a ramp time of 5 ms. For 200 MHz, the PLL is programmed for a 100 MHz ramp because the [EV-ADF5901SD2Z](#) uses the [ADF5901](#) auxiliary output with a 12 GHz output signal. After each parameter is set in the software, it must be written to the device.

To configure the other options in the **Ramps and Shift Keying** tab, set the various **Ramp and Shift Keying** controls of the [ADF4159](#).

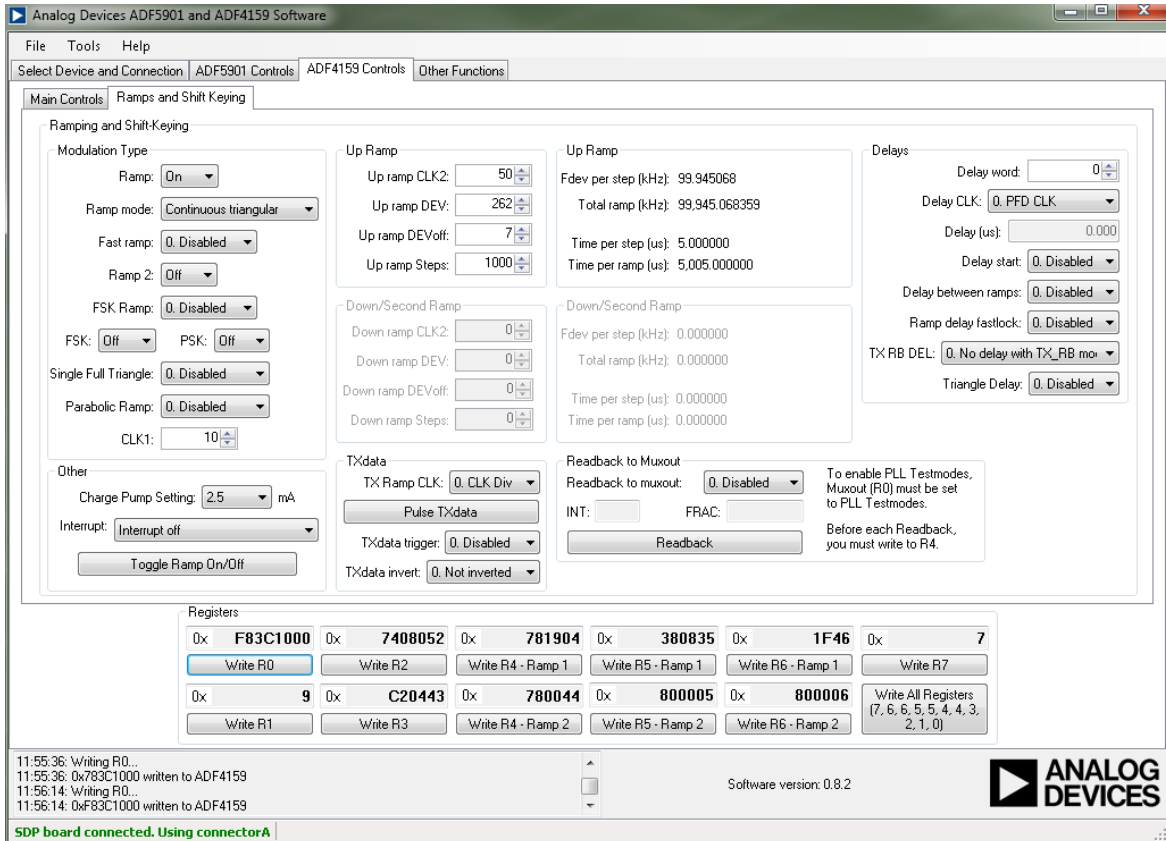


Figure 5. Software Front Panel Display—[ADF4159 Ramps and Shift Keying](#)

EVALUATION AND TESTING

To evaluate and test the performance of the [ADF5901](#), take the following steps:

1. Follow the on-screen instructions to install the [ADF5901](#) evaluation software.
2. Connect the [EVAL-SDP-CS1Z](#) controller board to the [EV-ADF5901SD2Z](#).
1. Connect dc blocked J9 (TXOUT2) to the spectrum analyzer.
3. Click the [ADF5901](#) icon to run the [ADF5901](#) software.
4. Select the USB board and the [ADF5901](#) device in the **Select Device and Connection** tab of the software front panel window (see Figure 2).
5. In the [ADF4159 Main Controls](#) tab, click **Write All Registers** to power up the [ADF4159](#).
6. In the [ADF5901 Controls](#) tab, click **Initialize ADF5901** to power up and calibrate the [ADF5901](#). See Figure 6 for the suggested setup.
7. Measure the TXOUT2 output signal on the J9 SMA.

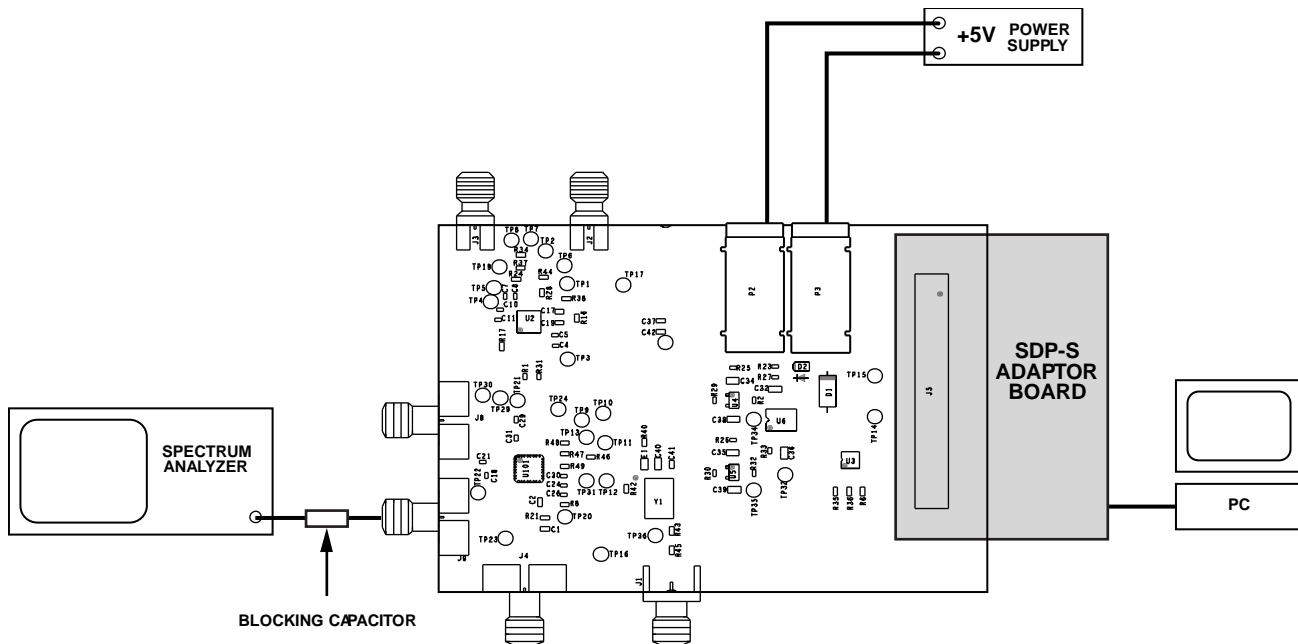


Figure 6. Typical EV-ADF5901SD2Z Evaluation Board Setup

13381-006

EVALUATION BOARD SCHEMATICS AND ARTWORK

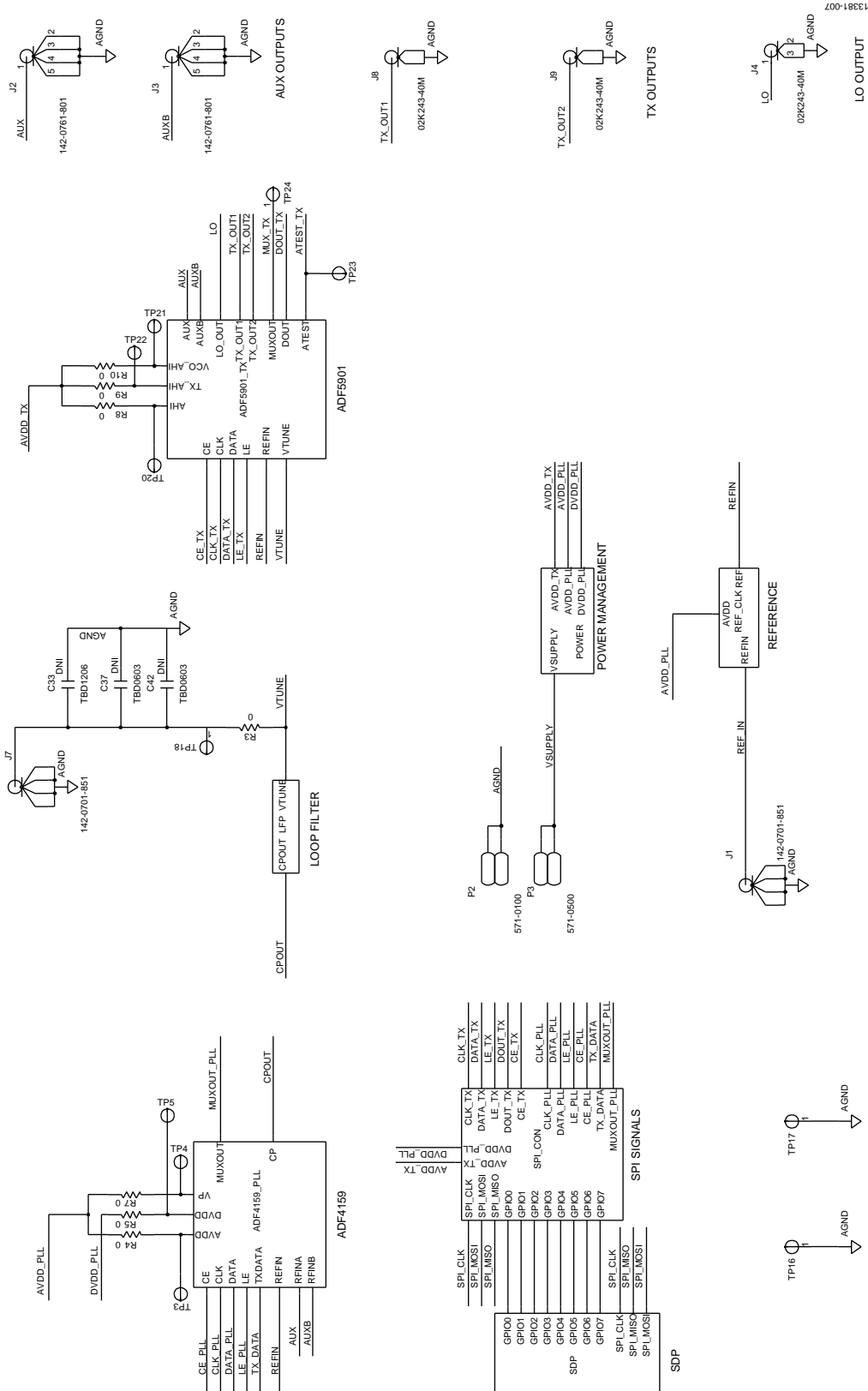


Figure 7. EV-ADF5901SD2Z Schematic (Page 1)

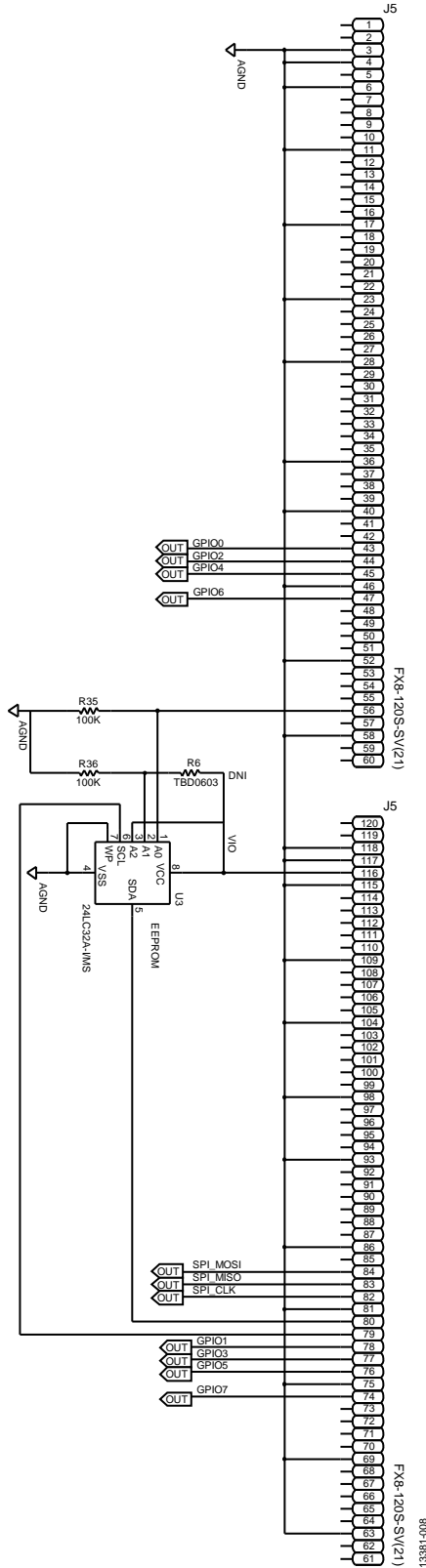


Figure 8. EV-ADF5901SD2Z Schematic (Page 2)

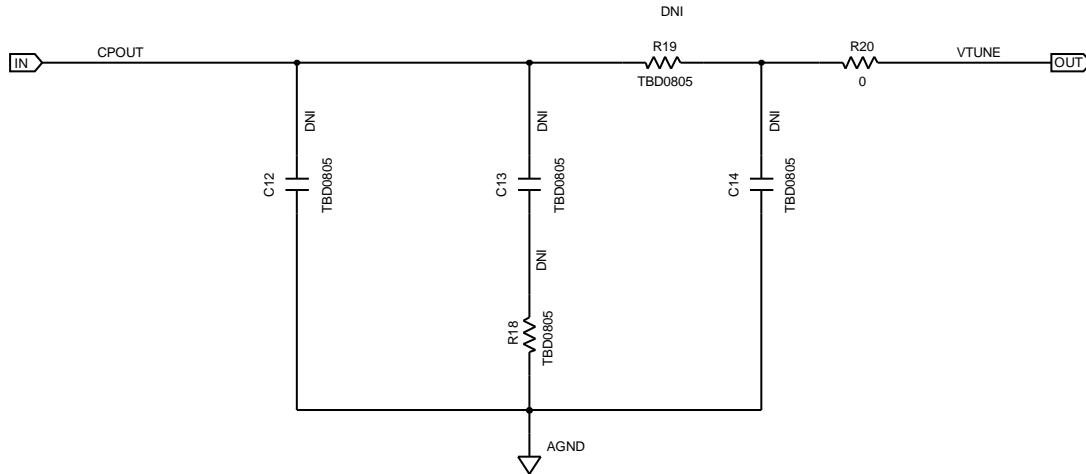


Figure 9. EV-ADF5901SD2Z Schematic (Page 3)

13381-009

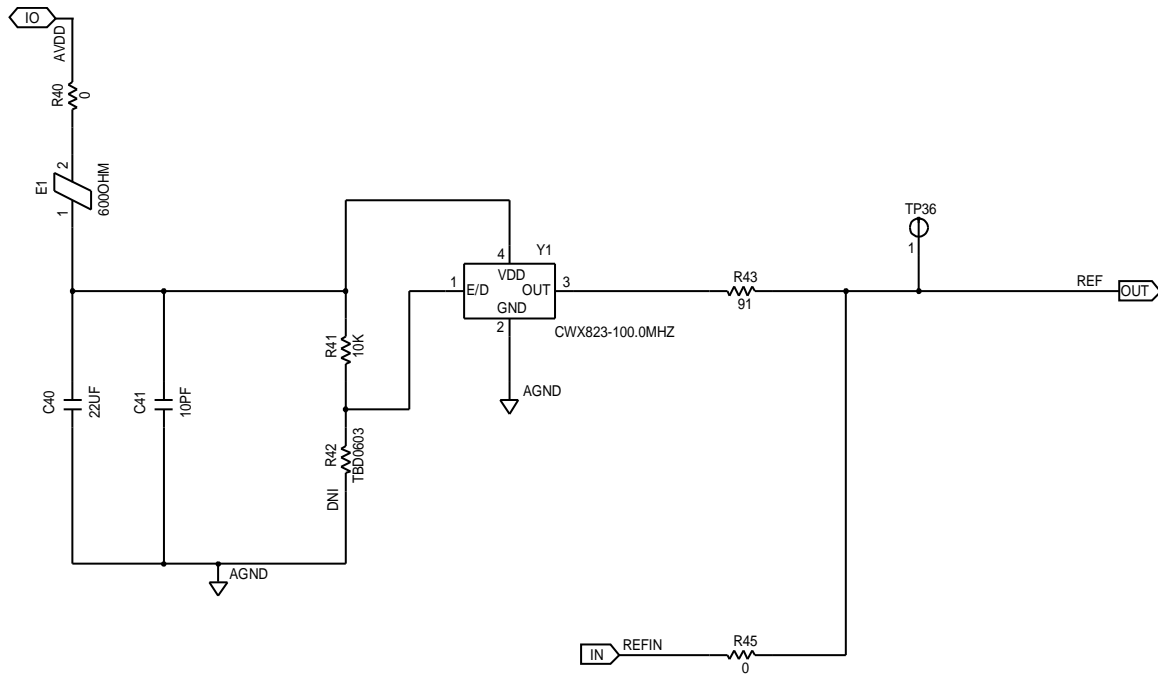


Figure 10. EV-ADF5901SD2Z Schematic (Page 4)

13381-010

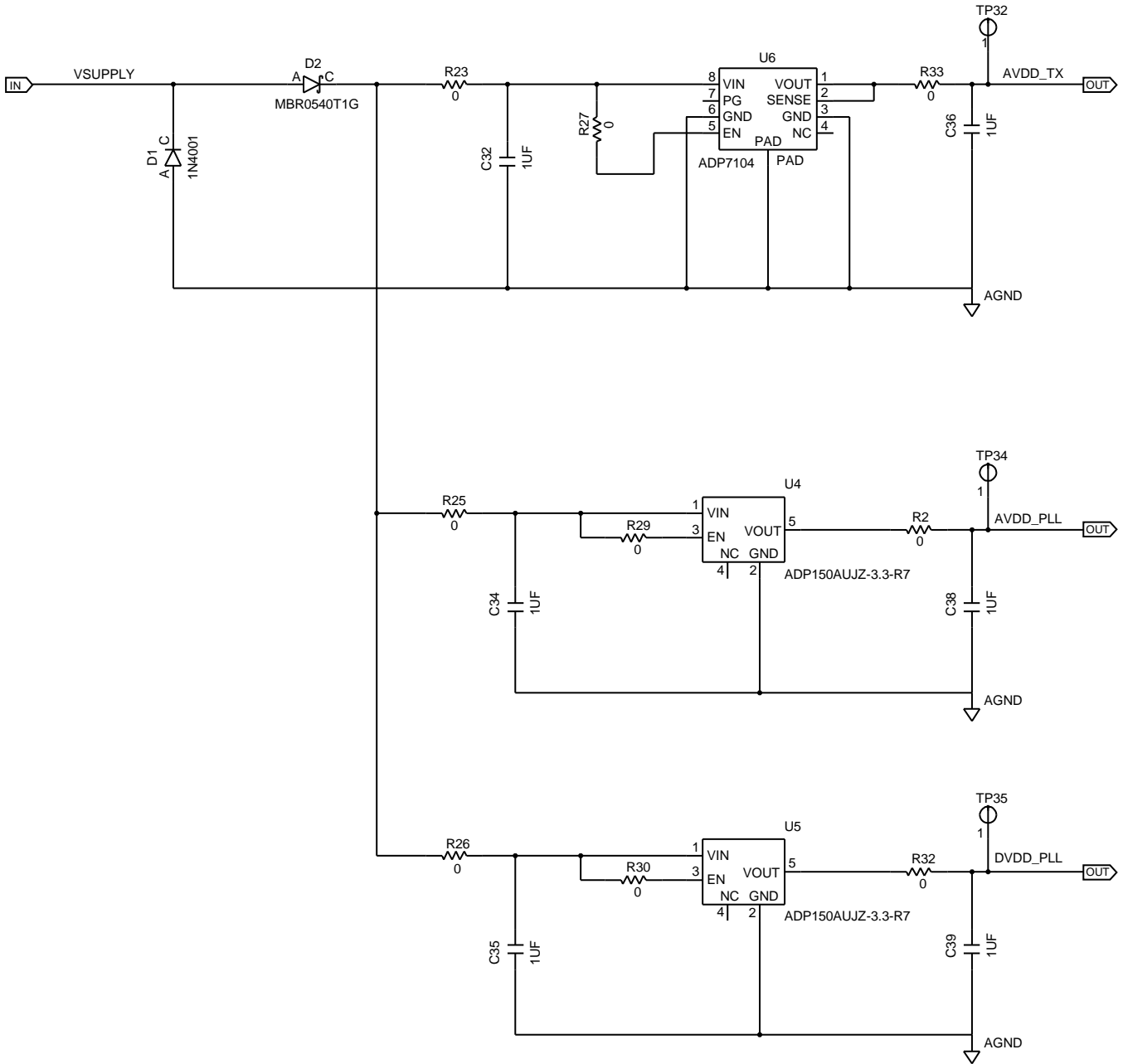


Figure 11. EV-ADF5901SD2Z Schematic (Page 5)

13381-011

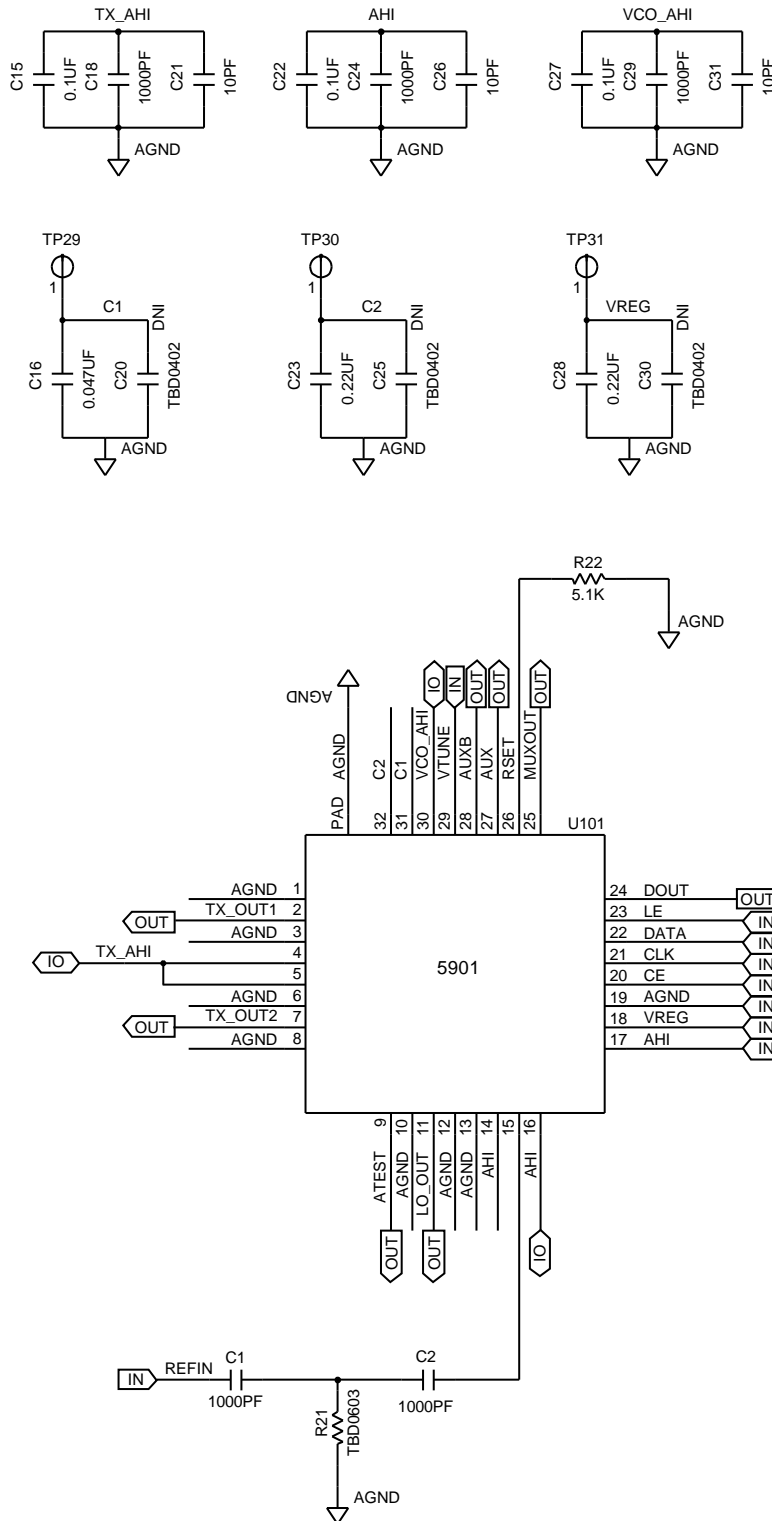


Figure 12. EV-ADF5901SD2Z Schematic (Page 6)

13381-012

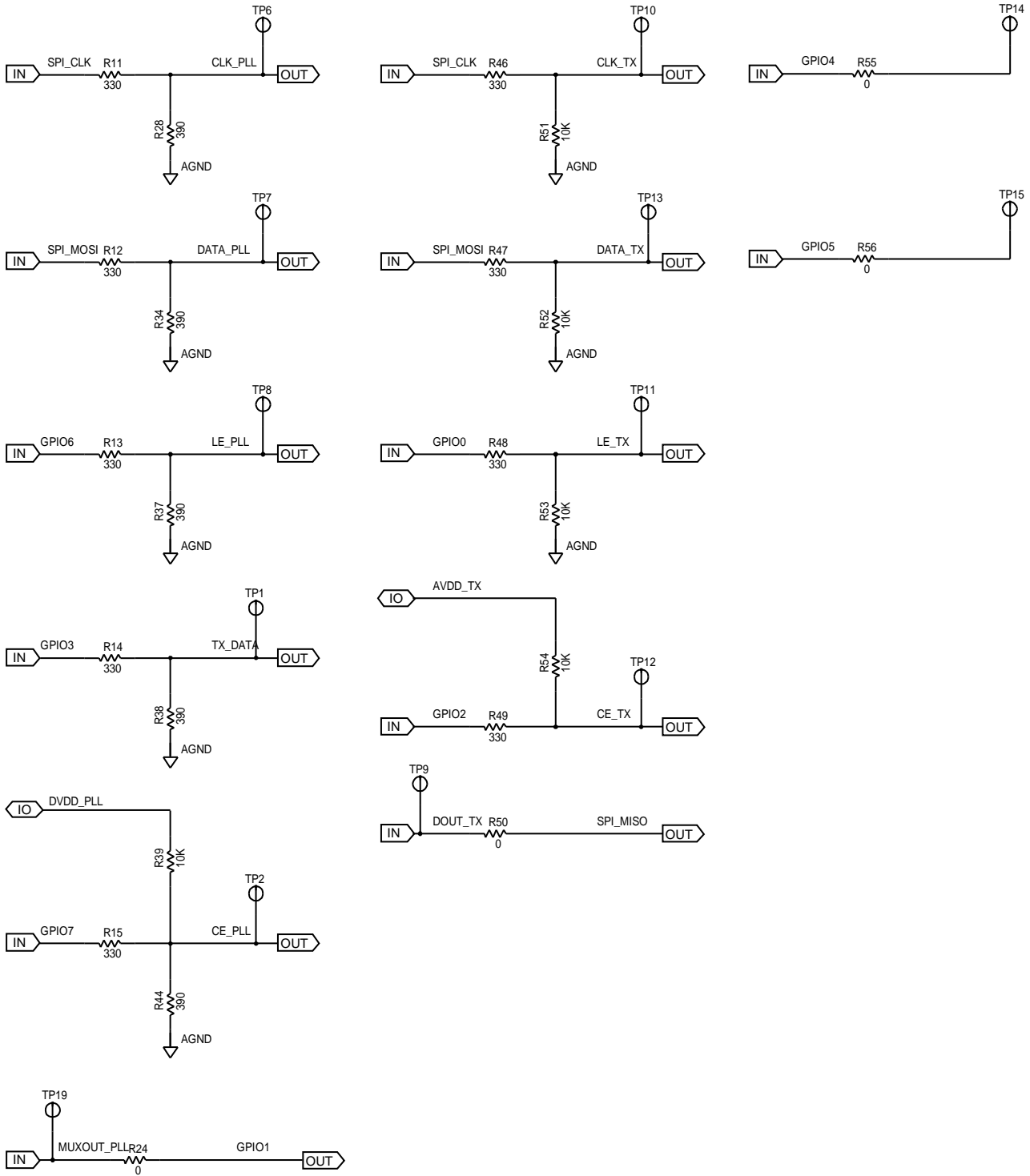


Figure 13. EV-ADF5901SD2Z Schematic (Page 7)

13381-013

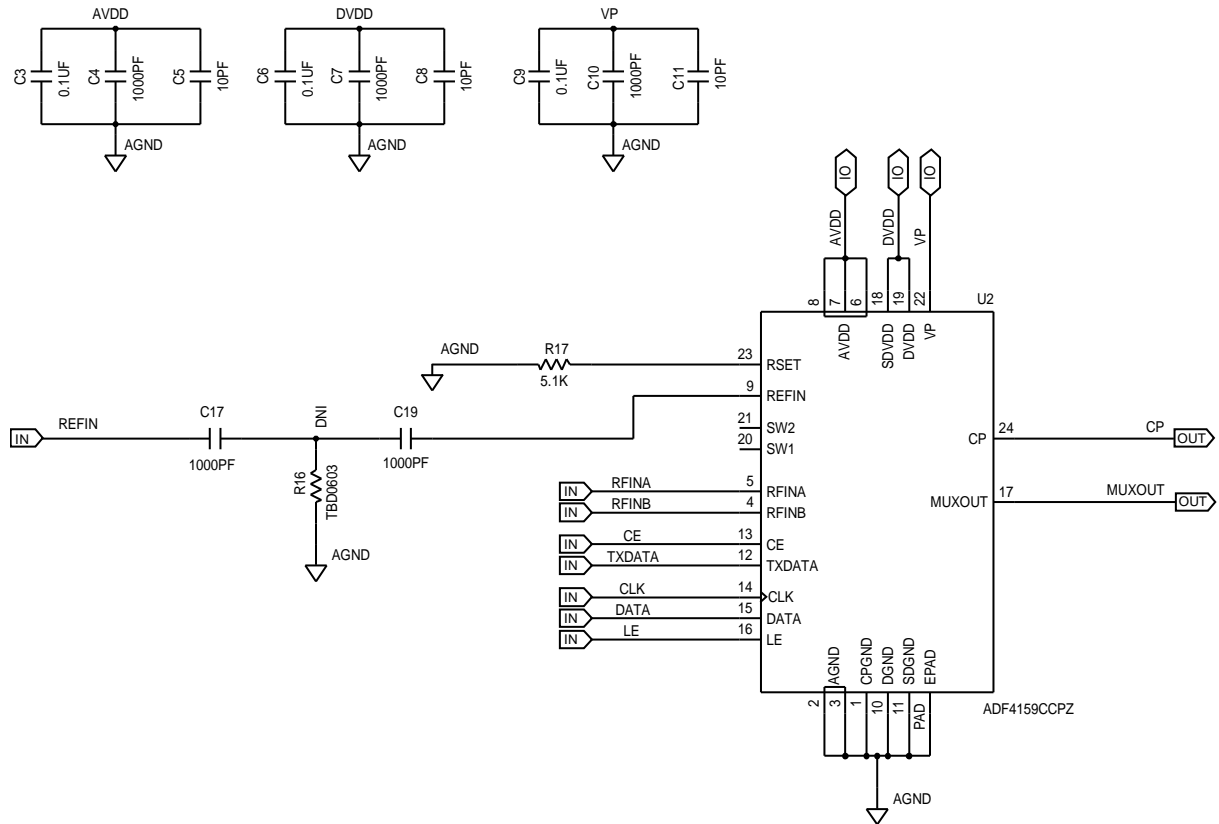
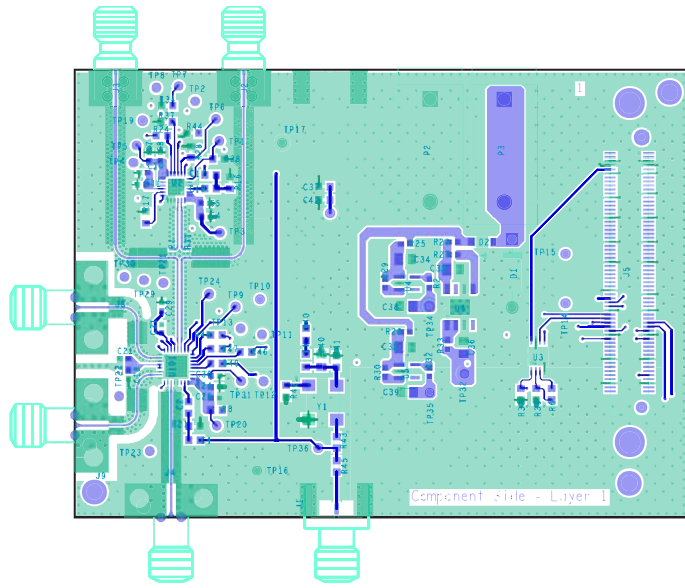


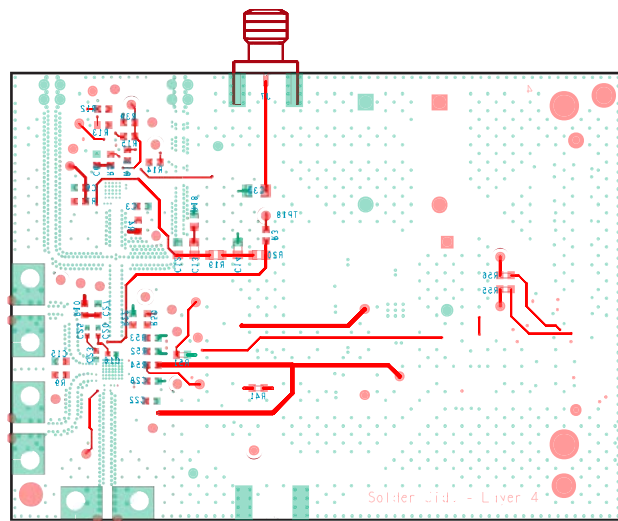
Figure 14. EV-ADF5901SD2Z Schematic (Page 8)

13381-014



13381-015

Figure 15. EV-ADF5901SD2Z Layer 1 (Component Side)



13381-016

Figure 16. EV-ADF5901SD2Z Layer 4 (Bottom Plane)

ORDERING INFORMATION

BILL OF MATERIALS

Table 1.

Quantity	Reference Designator	Part Description	Manufacturer	Part Number
4	C1, C2, C17, C19	1 nF, 0603 capacitors	AVX	06035A102JAT2A
6	C4, C7, C10, C18, C24, C29	1 nF, 0402 capacitors	AVX	04023C102KAT2A
6	C5, C8, C11, C21, C26, C31	10 pF, 0402 capacitors	AVX	04023A100JAT2A
6	C3, C6, C9, C15, C22, C27	100 nF, 0603 capacitors	AVX	06033C104JAT2A
1	C16	47 nF, 0402 capacitor	Kemet	C0402C473K3RACTU
1	C23	220 nF, 0402 capacitor	Taiyo Yuden	JMK105B7224KV-F
1	C28	220 nF, 0603 capacitor	AVX	06033C224KAT2A
6	C32, C34 to C36, C38, C39	1 μ F, 0805 capacitors	AVX	08053C105KAZ2A
1	C40	22 μ F, 0805 capacitor	Murata	GRM21BE70G226ME51L
1	C41	10 pF, 0603 capacitor	AVX	06035A100JAT2A
1	C12	220 pF, 0805 capacitor	Multicomp	MCCA001042
1	C13	3.3 nF, 0805 capacitor	Kemet	C0805C332J5GACTU
1	C14	100 pF, 0805 capacitor	Multicomp	MCCA001040
1	D1	Diode, standard, 1 A, 50 V	Multicomp	1N4001
1	D2	Diode, Schottky, 0.5 A, 20 V	ON Semiconductor	MBR0520LT1G
1	E1	Ferrite bead	Wuerth Elektronik	7427-92642
2	J1, J7	CONN-PCB end launch jack	Emerson	142-0701-851
2	J2, J3	CONN-PCB high frequency SMA	Emerson (Johnson)	142-0761-801
3	J4, J8, J9	CONN-PCB SMA RA jack	Rosenberger	02K243-40M
1	J5	CONN-PCB vertical type RCPT SMD	Hirose	FX8-120S-SV(21)
1	P2	CONN-PCB single SKT black	Deltron	571-0100
1	P3	CONN-PCB single SKT red	Deltron	571-0500
11	R1, R2, R23, R25 to R27, R29 to R33	0 Ω , 0402 resistors	Multicomp	MC 0.0625W 0402 1% 0R
13	R3 to R5, R7 to R10, R24, R40, R45, R50, R55, R56	0 Ω , 0603 resistors	Multicomp	MC 0.063W 0603 0R
9	R11 to R15, R46 to R49	330 Ω , 0603 resistors	Multicomp	MC 0.063W 0603 330R
2	R17, R22	5.1 k Ω , 0603 resistors	Multicomp	MC 0.063W 0603 5k1
1	R20	0 Ω , 0805 resistor	Multicomp	MC 0.1W 0805 0R
5	R28, R34, R37, R38, R44	390 Ω , 0603 resistors	Multicomp	MC 0.063W 0603 390R
2	R35, R36	100 k Ω , 0603 resistor	Multicomp	MC 0.063W 0603 5% 100K
1	R41	10 k Ω , 0603 resistor	Multicomp	MC 0.063W 0603 10K
1	R43	91 Ω , 0603 resistor	Multicomp	MC 0.063W 0603 1% 91R
1	R18	510 Ω , 0805 resistor	Multicomp	MC 0.1W 0805 1% 510R
1	R19	1 k Ω , 0805 resistor	Multicomp	MC 0.1W 0805 1% 1K
1	U2	ADF4159 13 GHz Fractional-N frequency synthesizer	Analog Devices, Inc.	ADF4159CCPZ
1	U3	IC 32 Kbit serial EEPROM	Microchip	24LC32A-I/MS
2	U4	3.0V CMOS linear regulator	Analog Devices	ADP150AUJZ-3.0
2	U5	1.8V CMOS linear regulator	Analog Devices	ADP150AUJZ-1.8
1	U6	3.3V CMOS linear regulator	Analog Devices	ADP7104ARDZ-3.3
1	Y1	100 MHz crystal clock oscillator	Connor-Winfield	CWX113-100.0M
1	U101	ADF5901 24 GHz TX MMIC	Analog Devices	ADF5901WCCPZ-U6
2	TP16, TP17	Black test point	Vero	20-2137
1	TP23	Red test point	Vero	20-313137

Quantity	Reference Designator	Part Description	Manufacturer	Part Number
3	C20, C25, C30	Do not install	Not applicable	Not applicable
1	C33	Do not install	Not applicable	Not applicable
2	C37, C42	Do not install	Not applicable	Not applicable
4	R6, R16, R21, R42	Do not install	Not applicable	Not applicable
5	R39, R51 to R54	Do not install	Not applicable	Not applicable
28	TP1 to TP15, TP18 to TP22, TP24, TP29 to TP32, TP34 to TP36	Do not install	Not applicable	Not applicable
4	C1, C2, C17, C19	1 nF, 0603 capacitors	AVX	06035A102JAT2A
2	SCREW1, SCREW2	Screw, cheese, nylon, M3X10, PK100	ALLTHREAD Plastics Limited	119030010
2	NUT1, NUT2	Nut/washer, nylon, M3, PK100	DURATOOL	1140030

RELATED LINKS

Resource	Description
ADF5901	Product Page, 24 GHz VCO and PGA with 2-Channel PA Output
ADF4159	Product Page, Direct Modulation/Fast Waveform Generating, 13 GHz, Fractional-N Frequency Synthesizer
ADP7104	Product Page, 20 V, 500 mA, Low Noise, CMOS LDO



ESD Caution

ESD (electrostatic discharge) sensitive device. Charged devices and circuit boards can discharge without detection. Although this product features patented or proprietary protection circuitry, damage may occur on devices subjected to high energy ESD. Therefore, proper ESD precautions should be taken to avoid performance degradation or loss of functionality.

Legal Terms and Conditions

By using the evaluation board discussed herein (together with any tools, components documentation or support materials, the "Evaluation Board"), you are agreeing to be bound by the terms and conditions set forth below ("Agreement") unless you have purchased the Evaluation Board, in which case the Analog Devices Standard Terms and Conditions of Sale shall govern. Do not use the Evaluation Board until you have read and agreed to the Agreement. Your use of the Evaluation Board shall signify your acceptance of the Agreement. This Agreement is made by and between you ("Customer") and Analog Devices, Inc. ("ADI"), with its principal place of business at One Technology Way, Norwood, MA 02062, USA. Subject to the terms and conditions of the Agreement, ADI hereby grants to Customer a free, limited, personal, temporary, non-exclusive, non-sublicensable, non-transferable license to use the Evaluation Board FOR EVALUATION PURPOSES ONLY. Customer understands and agrees that the Evaluation Board is provided for the sole and exclusive purpose referenced above, and agrees not to use the Evaluation Board for any other purpose. Furthermore, the license granted is expressly made subject to the following additional limitations: Customer shall not (i) rent, lease, display, sell, transfer, assign, sublicense, or distribute the Evaluation Board; and (ii) permit any Third Party to access the Evaluation Board. As used herein, the term "Third Party" includes any entity other than ADI, Customer, their employees, affiliates and in-house consultants. The Evaluation Board is NOT sold to Customer; all rights not expressly granted herein, including ownership of the Evaluation Board, are reserved by ADI. CONFIDENTIALITY. This Agreement and the Evaluation Board shall all be considered the confidential and proprietary information of ADI. Customer may not disclose or transfer any portion of the Evaluation Board to any other party for any reason. Upon discontinuation of use of the Evaluation Board or termination of this Agreement, Customer agrees to promptly return the Evaluation Board to ADI. ADDITIONAL RESTRICTIONS. Customer may not disassemble, decompile or reverse engineer chips on the Evaluation Board. Customer shall inform ADI of any occurred damages or any modifications or alterations it makes to the Evaluation Board, including but not limited to soldering or any other activity that affects the material content of the Evaluation Board. Modifications to the Evaluation Board must comply with applicable law, including but not limited to the RoHS Directive. TERMINATION. ADI may terminate this Agreement at any time upon giving written notice to Customer. Customer agrees to return to ADI the Evaluation Board at that time. LIMITATION OF LIABILITY. THE EVALUATION BOARD PROVIDED HEREUNDER IS PROVIDED "AS IS" AND ADI MAKES NO WARRANTIES OR REPRESENTATIONS OF ANY KIND WITH RESPECT TO IT. ADI SPECIFICALLY DISCLAIMS ANY REPRESENTATIONS, ENDORSEMENTS, GUARANTEES, OR WARRANTIES, EXPRESS OR IMPLIED, RELATED TO THE EVALUATION BOARD INCLUDING, BUT NOT LIMITED TO, THE IMPLIED WARRANTY OF MERCHANTABILITY, TITLE, FITNESS FOR A PARTICULAR PURPOSE OR NON-INFRINGEMENT OF INTELLECTUAL PROPERTY RIGHTS. IN NO EVENT WILL ADI AND ITS LICENSORS BE LIABLE FOR ANY INCIDENTAL, SPECIAL, INDIRECT, OR CONSEQUENTIAL DAMAGES RESULTING FROM CUSTOMER'S POSSESSION OR USE OF THE EVALUATION BOARD, INCLUDING BUT NOT LIMITED TO LOST PROFITS, DELAY COSTS, LABOR COSTS OR LOSS OF GOODWILL. ADI'S TOTAL LIABILITY FROM ANY AND ALL CAUSES SHALL BE LIMITED TO THE AMOUNT OF ONE HUNDRED US DOLLARS (\$100,000). EXPORT. Customer agrees that it will not directly or indirectly export the Evaluation Board to another country, and that it will comply with all applicable United States federal laws and regulations relating to exports. GOVERNING LAW. This Agreement shall be governed by and construed in accordance with the substantive laws of the Commonwealth of Massachusetts (excluding conflict of law rules). Any legal action regarding this Agreement will be heard in the state or federal courts having jurisdiction in Suffolk County, Massachusetts, and Customer hereby submits to the personal jurisdiction and venue of such courts. The United Nations Convention on Contracts for the International Sale of Goods shall not apply to this Agreement and is expressly disclaimed.



Стандарт Электрон Связь

Мы молодая и активно развивающаяся компания в области поставок электронных компонентов. Мы поставляем электронные компоненты отечественного и импортного производства напрямую от производителей и с крупнейших складов мира.

Благодаря сотрудничеству с мировыми поставщиками мы осуществляем комплексные и плановые поставки широчайшего спектра электронных компонентов.

Собственная эффективная логистика и склад в обеспечивает надежную поставку продукции в точно указанные сроки по всей России.

Мы осуществляем техническую поддержку нашим клиентам и предпродажную проверку качества продукции. На все поставляемые продукты мы предоставляем гарантию .

Осуществляем поставки продукции под контролем ВП МО РФ на предприятия военно-промышленного комплекса России , а также работаем в рамках 275 ФЗ с открытием отдельных счетов в уполномоченном банке. Система менеджмента качества компании соответствует требованиям ГОСТ ISO 9001.

Минимальные сроки поставки, гибкие цены, неограниченный ассортимент и индивидуальный подход к клиентам являются основой для выстраивания долгосрочного и эффективного сотрудничества с предприятиями радиоэлектронной промышленности, предприятиями ВПК и научно-исследовательскими институтами России.

С нами вы становитесь еще успешнее!

Наши контакты:

Телефон: +7 812 627 14 35

Электронная почта: sales@st-electron.ru

Адрес: 198099, Санкт-Петербург,
Промышленная ул, дом № 19, литера Н,
помещение 100-Н Офис 331