

**MCP6031**  
**Photodiode PICtail™ Plus**  
**Demo Board**  
**User's Guide**

---

**Note the following details of the code protection feature on Microchip devices:**

- Microchip products meet the specification contained in their particular Microchip Data Sheet.
- Microchip believes that its family of products is one of the most secure families of its kind on the market today, when used in the intended manner and under normal conditions.
- There are dishonest and possibly illegal methods used to breach the code protection feature. All of these methods, to our knowledge, require using the Microchip products in a manner outside the operating specifications contained in Microchip's Data Sheets. Most likely, the person doing so is engaged in theft of intellectual property.
- Microchip is willing to work with the customer who is concerned about the integrity of their code.
- Neither Microchip nor any other semiconductor manufacturer can guarantee the security of their code. Code protection does not mean that we are guaranteeing the product as "unbreakable."

Code protection is constantly evolving. We at Microchip are committed to continuously improving the code protection features of our products. Attempts to break Microchip's code protection feature may be a violation of the Digital Millennium Copyright Act. If such acts allow unauthorized access to your software or other copyrighted work, you may have a right to sue for relief under that Act.

---

Information contained in this publication regarding device applications and the like is provided only for your convenience and may be superseded by updates. It is your responsibility to ensure that your application meets with your specifications. MICROCHIP MAKES NO REPRESENTATIONS OR WARRANTIES OF ANY KIND WHETHER EXPRESS OR IMPLIED, WRITTEN OR ORAL, STATUTORY OR OTHERWISE, RELATED TO THE INFORMATION, INCLUDING BUT NOT LIMITED TO ITS CONDITION, QUALITY, PERFORMANCE, MERCHANTABILITY OR FITNESS FOR PURPOSE. Microchip disclaims all liability arising from this information and its use. Use of Microchip devices in life support and/or safety applications is entirely at the buyer's risk, and the buyer agrees to defend, indemnify and hold harmless Microchip from any and all damages, claims, suits, or expenses resulting from such use. No licenses are conveyed, implicitly or otherwise, under any Microchip intellectual property rights.

**Trademarks**

The Microchip name and logo, the Microchip logo, Accuron, dsPIC, KEELOQ, KEELOQ logo, MPLAB, PIC, PICmicro, PICSTART, rfPIC, SmartShunt and UNI/O are registered trademarks of Microchip Technology Incorporated in the U.S.A. and other countries.


FilterLab, Linear Active Thermistor, MXDEV, MXLAB, SEEVAL, SmartSensor and The Embedded Control Solutions Company are registered trademarks of Microchip Technology Incorporated in the U.S.A.

Analog-for-the-Digital Age, Application Maestro, CodeGuard, dsPICDEM, dsPICDEM.net, dsPICworks, dsSPEAK, ECAN, ECONOMONITOR, FanSense, In-Circuit Serial Programming, ICSP, ICEPIC, Mindi, MiWi, MPASM, MPLAB Certified logo, MPLIB, MPLINK, mTouch, PICkit, PICDEM, PICDEM.net, PICTail, PIC<sup>32</sup> logo, PowerCal, PowerInfo, PowerMate, PowerTool, REAL ICE, rfLAB, Select Mode, Total Endurance, WiperLock and ZENA are trademarks of Microchip Technology Incorporated in the U.S.A. and other countries.

SQTP is a service mark of Microchip Technology Incorporated in the U.S.A.

All other trademarks mentioned herein are property of their respective companies.

© 2008, Microchip Technology Incorporated, Printed in the U.S.A., All Rights Reserved.

 Printed on recycled paper.

**QUALITY MANAGEMENT SYSTEM  
CERTIFIED BY DNV  
== ISO/TS 16949:2002 ==**

*Microchip received ISO/TS-16949:2002 certification for its worldwide headquarters, design and wafer fabrication facilities in Chandler and Tempe, Arizona; Gresham, Oregon and design centers in California and India. The Company's quality system processes and procedures are for its PIC<sup>®</sup> MCUs and dsPIC<sup>®</sup> DSCs, KEELOQ<sup>®</sup> code hopping devices, Serial EEPROMs, microperipherals, nonvolatile memory and analog products. In addition, Microchip's quality system for the design and manufacture of development systems is ISO 9001:2000 certified.*



# MCP6031 PHOTODIODE PICtail™ PLUS DEMO BOARD USER'S GUIDE

---

---

## Table of Contents

---

---

<b>Preface</b> .....	<b>1</b>
Introduction.....	1
Document Layout .....	1
Conventions Used in this Guide .....	2
Recommended Reading.....	3
The Microchip Web Site .....	3
Customer Support .....	3
Document Revision History .....	3
<b>Chapter 1. Product Overview</b>	
1.1 Introduction .....	5
1.2 MCP6031 Photodiode PICtail™ Plus Demo Board Kit Contents .....	5
1.3 MCP6031 Photodiode PICtail™ Plus Demo Board Description .....	6
<b>Chapter 2. Installation and Operation</b>	
2.1 Introduction .....	9
2.2 Required Tool .....	9
2.3 MCP6031 Photodiode PICtail™ Plus Demo Board Set-up .....	9
2.4 MCP6031 Photodiode PICtail™ Plus Demo Board Operation .....	10
<b>Appendix A. Schematic and Layouts</b>	
A.1 Introduction .....	11
A.2 Board - Schematic .....	12
A.3 Board - Top Silk Layer .....	13
A.4 Board - Top Metal And Top Silk Layers .....	13
A.5 Board - Bottom Metal Layer .....	14
<b>Appendix B. Bill of Materials (BOM)</b>	
<b>Worldwide Sales and Service</b> .....	<b>16</b>

# MCP6031 Photodiode PICtail™ Plus Demo Board User's Guide

---

---

NOTES:



# MCP6031 PHOTODIODE PICtail™ PLUS DEMO BOARD USER'S GUIDE

## Preface

### NOTICE TO CUSTOMERS

All documentation becomes dated, and this manual is no exception. Microchip tools and documentation are constantly evolving to meet customer needs, so some actual dialogs and/or tool descriptions may differ from those in this document. Please refer to our web site ([www.microchip.com](http://www.microchip.com)) to obtain the latest documentation available.

Documents are identified with a “DS” number. This number is located on the bottom of each page, in front of the page number. The numbering convention for the DS number is “DSXXXXA”, where “XXXX” is the document number and “A” is the revision level of the document.

For the most up-to-date information on development tools, see the MPLAB® IDE on-line help. Select the Help menu, and then Topics to open a list of available on-line help files.

## INTRODUCTION

This chapter contains general information that will be useful to know before using the MCP6031 Photodiode PICtail™ Plus Demo Board . Items discussed in this chapter include:

- Document Layout
- Conventions Used in this Guide
- Recommended Reading
- The Microchip Web Site
- Customer Support
- Document Revision History

## DOCUMENT LAYOUT

This document describes how to use the MCP6031 Photodiode PICtail™ Plus Demo Board as a development tool to emulate and debug firmware on a target board. The manual layout is as follows:

- **Chapter 1. “Product Overview”** – Provides the important information about the MCP6031 Photodiode PICtail™ Plus Demo Board .
- **Chapter 2. “Installation and Operation”** – Covers the installation and operation of the MCP6031 Photodiode PICtail™ Plus Demo Board .
- **Appendix A. “Schematic and Layouts”** – Shows the schematic and board layouts for the MCP6031 Photodiode PICtail™ Plus Demo Board .
- **Appendix B. “Bill of Materials (BOM)”** – Lists the parts used to build the MCP6031 Photodiode PICtail™ Plus Demo Board .

## CONVENTIONS USED IN THIS GUIDE

This manual uses the following documentation conventions:

### DOCUMENTATION CONVENTIONS

Description	Represents	Examples
<b>Arial font:</b>		
Italic characters	Referenced books	<i>MPLAB® IDE User's Guide</i>
	Emphasized text	...is the <i>only</i> compiler...
Initial caps	A window	the Output window
	A dialog	the Settings dialog
	A menu selection	select Enable Programmer
Quotes	A field name in a window or dialog	"Save project before build"
Underlined, italic text with right angle bracket	A menu path	<u><i>File&gt;Save</i></u>
Bold characters	A dialog button	Click <b>OK</b>
	A tab	Click the <b>Power</b> tab
N'Rnnnn	A number in verilog format, where N is the total number of digits, R is the radix and n is a digit.	4'b0010, 2'hF1
Text in angle brackets < >	A key on the keyboard	Press <Enter>, <F1>
<b>Courier New font:</b>		
Plain Courier New	Sample source code	#define START
	Filenames	autoexec.bat
	File paths	c:\mcc18\h
	Keywords	_asm, _endasm, static
	Command-line options	-Opa+, -Opa-
	Bit values	0, 1
	Constants	0xFF, 'A'
Italic Courier New	A variable argument	<i>file.o</i> , where <i>file</i> can be any valid filename
Square brackets [ ]	Optional arguments	mcc18 [options] <i>file</i> [options]
Curly brackets and pipe character: {   }	Choice of mutually exclusive arguments; an OR selection	errorlevel {0 1}
Ellipses...	Replaces repeated text	var_name [, var_name...]
	Represents code supplied by user	void main (void) { ... }

## RECOMMENDED READING

This user's guide describes how to use MCP6031 Photodiode PICtail™ Plus Demo Board . Other useful documents are listed below. The following Microchip documents are available and recommended as supplemental reference resources.

- **MCP6031/2/3/4 Data Sheet, “0.9  $\mu$ A, High Precision Op Amps” (DS22041)** - This data sheet provides detailed information regarding the MCP603X Op Amps.
- **AN951, “Amplifying High-Impedance Sensors - Photodiode Example” (DS00951)** - This application note shows how to condition the current out of a high-impedance sensor. A photodiode detector illustrates the theory.
- **“Signal Chain Design Guide” (DS21825)**
- **“Explorer 16 Development Board User’s Guide” (DS51589)**

## THE MICROCHIP WEB SITE

Microchip provides online support via our web site at [www.microchip.com](http://www.microchip.com). This web site is used as a means to make files and information easily available to customers. Accessible by using your favorite Internet browser, the web site contains the following information:

- **Product Support** – Data sheets and errata, application notes and sample programs, design resources, user’s guides and hardware support documents, latest software releases and archived software
- **General Technical Support** – Frequently Asked Questions (FAQs), technical support requests, online discussion groups, Microchip consultant program member listing
- **Business of Microchip** – Product selector and ordering guides, latest Microchip press releases, listing of seminars and events, listings of Microchip sales offices, distributors and factory representatives

## CUSTOMER SUPPORT

Users of Microchip products can receive assistance through several channels:

- Distributor or Representative
- Local Sales Office
- Field Application Engineer (FAE)
- Technical Support

Customers should contact their distributor, representative or field application engineer (FAE) for support. Local sales offices are also available to help customers. A listing of sales offices and locations is included in the back of this document.

Technical support is available through the web site at: <http://support.microchip.com>

## DOCUMENT REVISION HISTORY

### Revision A (September 2008)

- Initial Release of this Document.

# MCP6031 Photodiode PICtail™ Plus Demo Board User's Guide

---

---

NOTES:



---

---

## Chapter 1. Product Overview

---

---

### 1.1 INTRODUCTION

The MCP6031 Photodiode PICtail™ Plus Demo Board is described by the following:

- Assembly # : 114-00219
- Order # : MCP6031DM-PCTL
- Name: MCP6031 Photodiode PICtail™ Plus Demo Board

Items discussed in this chapter include:

- MCP6031 Photodiode PICtail™ Plus Demo Board Kit Contents
- MCP6031 Photodiode PICtail™ Plus Demo Board Description

### 1.2 MCP6031 PHOTODIODE PICtail™ PLUS DEMO BOARD KIT CONTENTS

- MCP6031 Photodiode PICtail™ Plus Demo Board (102-00219)
- Important Information “Read First”
- Analog and Interface Products Demonstration Boards CD-ROM (DS21912). It contains:
  - MCP6031 Photodiode PICtail™ Plus Demo Board User's Guide (DS51763)
  - Firmware files
  - Gerber files



**FIGURE 1-1:** MCP6031 Photodiode PICtail™ Plus Demo Board Kit.

## 1.3 MCP6031 PHOTODIODE PICtail™ PLUS DEMO BOARD DESCRIPTION

The MCP6031 Photodiode PICtail™ Plus Demo Board demonstrates how to use a transimpedance amplifier, which consists of MCP6031 high precision op amp and external resistors, to convert photo-current ( $I_S$ ) to voltage. The circuit was not calibrated for absolute accuracy.

The RC low-pass filter that is implemented in this circuit can remove the high frequency noise and interference from the signal path prior to the analog-to-digital (A/D) conversion.

The PICmicro® on the Explorer 16 Development Board communicates with the MCP6031 Photodiode PICtail™ Plus Demo Board and completes the analog-to-digital conversion.

**Note:** For high measurement accuracy, an external stand-alone ADC with higher resolution needs to be used.

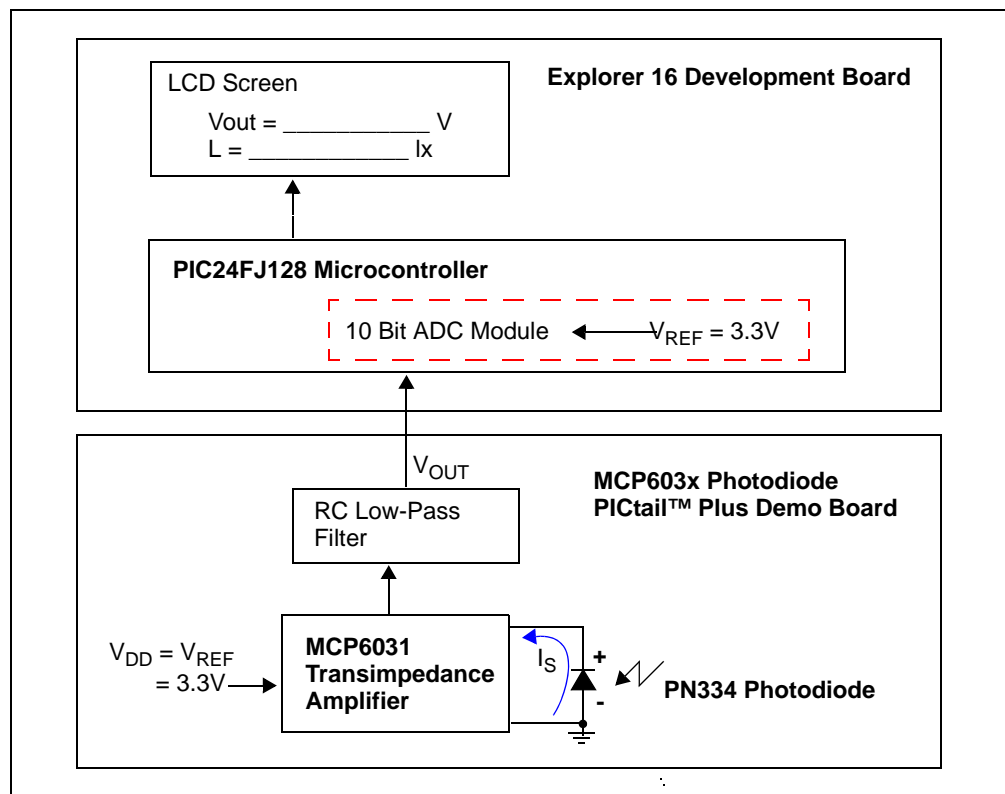
The measured voltage ( $V_{OUT}$ ) and calculated illuminance (L) will be shown on LCD screen on board. The illuminance (L) will be calculated by the equation:

**EQUATION 1-1:**

$$L = \text{illuminance (lx)}$$

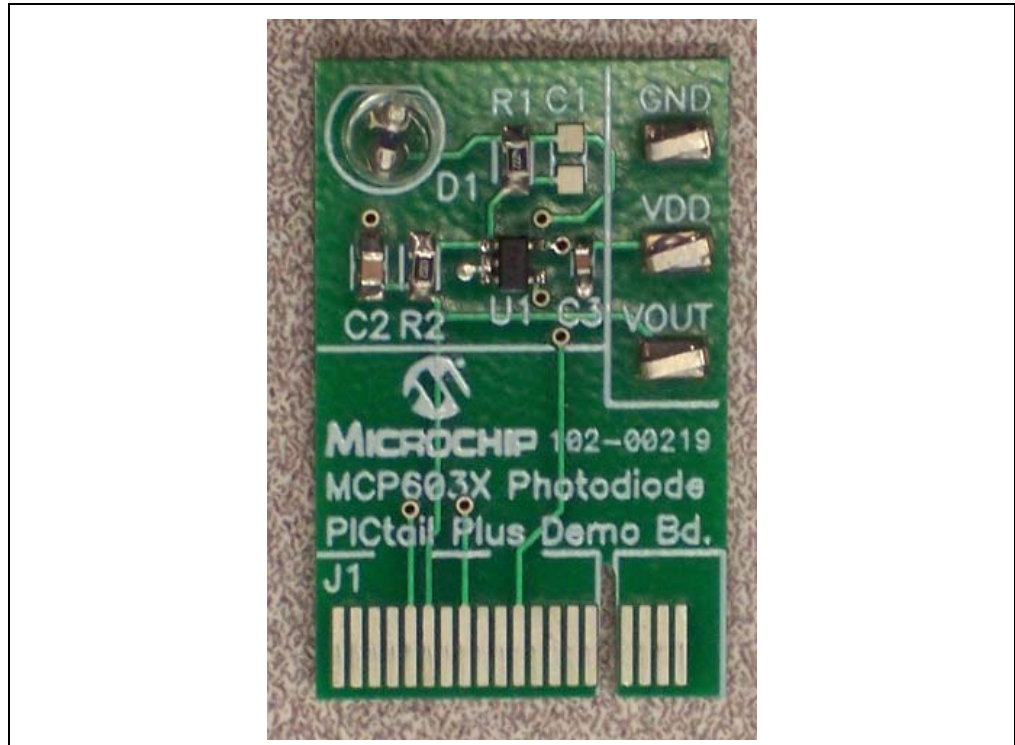
$$= (V_{OUT}/R_I)(10000 I_X /70 \mu A)$$

Figure 1-2 shows the block diagram of the MCP6031 Photodiode PICtail™ Plus Demo Board .



**FIGURE 1-2:** MCP6031 Photodiode PICtail™ Plus Demo Board Function Block Diagram.

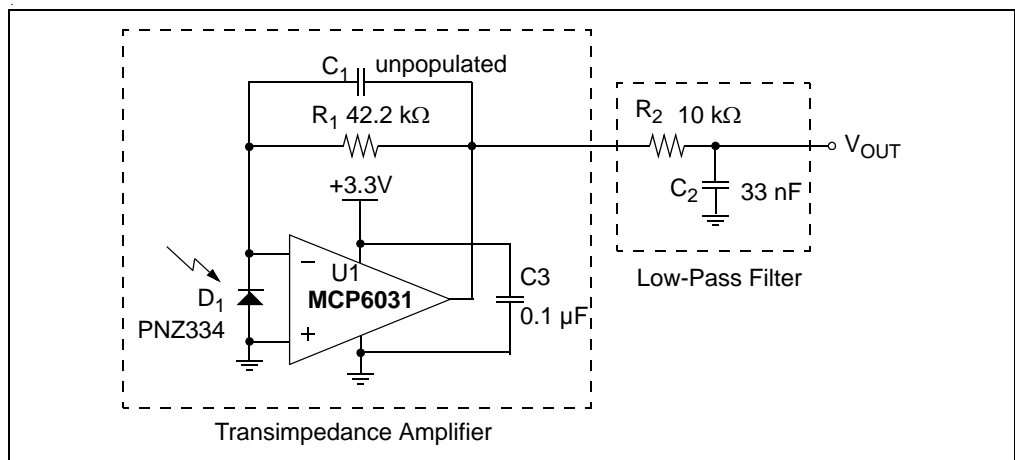
Figure 1-3 shows the top view of the MCP6031 Photodiode PICtail™ Plus Demo Board.



**FIGURE 1-3:** Top view of MCP6031 Photodiode PICtail™ Plus Demo Board

Figure 1-4 shows the circuit diagram of MCP6031 Photodiode PICtail™ Plus Demo Board.  $C_1$  is for compensation purpose and no need for the board. It may be needed when MCP6031 is replaced by the other Microchip's op amp.

The DC output voltage due to the source photo-current will be  $V_{OUT} = I_S R_1$ , where  $R_1$  is the feedback resistor. The op amp will contribute a DC offset voltage,  $V_{OS} + I_B R_1$ , to the output, where  $V_{OS}$  is the op amp's input offset voltage and  $I_B$  is the op amp's input bias current. Select the value of  $R_1$  to give a high gain to  $I_S$ . Usually, this gain is high enough to use most of the op amp's output voltage swing when  $I_S$  is at its extreme values. The op amp needs to have  $V_{OS}$  and  $I_B$  low enough to not cause a large DC offset. That is the reason why op amp MCP6031 is selected.



**FIGURE 1-4:** MCP6031 Photodiode PICtail™ Plus Demo Board Circuit Diagram.

For the design approach of this board, please refer to **AN951, “*Amplifying High-Impedance Sensors - Photodiode Example*” (DS00951)** as reference resource. This application note discusses the analog conditioning circuit used for high-impedance sensors that act like current sensors. The design approach illustrated in this application note, using op amps, is broken down into three design steps: DC, stability compensation, closed-loop gain and noise reduction. A design using a PIN photodiode (light detector) illustrates the principles discussed. Measurement results are provided to support the theory presented. The last sections of this application note contain supplemental information.

MCP6031 Photodiode PICtail™ Plus Demo Board has the following features:

- Supports Microchip MCP6031 high precision op amp
- Uses a transimpedance amplifier as sensor conditioning circuit
- Uses a PIN photodiode (PNZ334) as light detector
- Test points for connecting lab equipment

## Chapter 2. Installation and Operation

### 2.1 INTRODUCTION

This chapter shows how to set up the MCP6031 Photodiode PICtail™ Plus Demo Board and explore the operation of a light sensing application.

Items discussed in this chapter include:

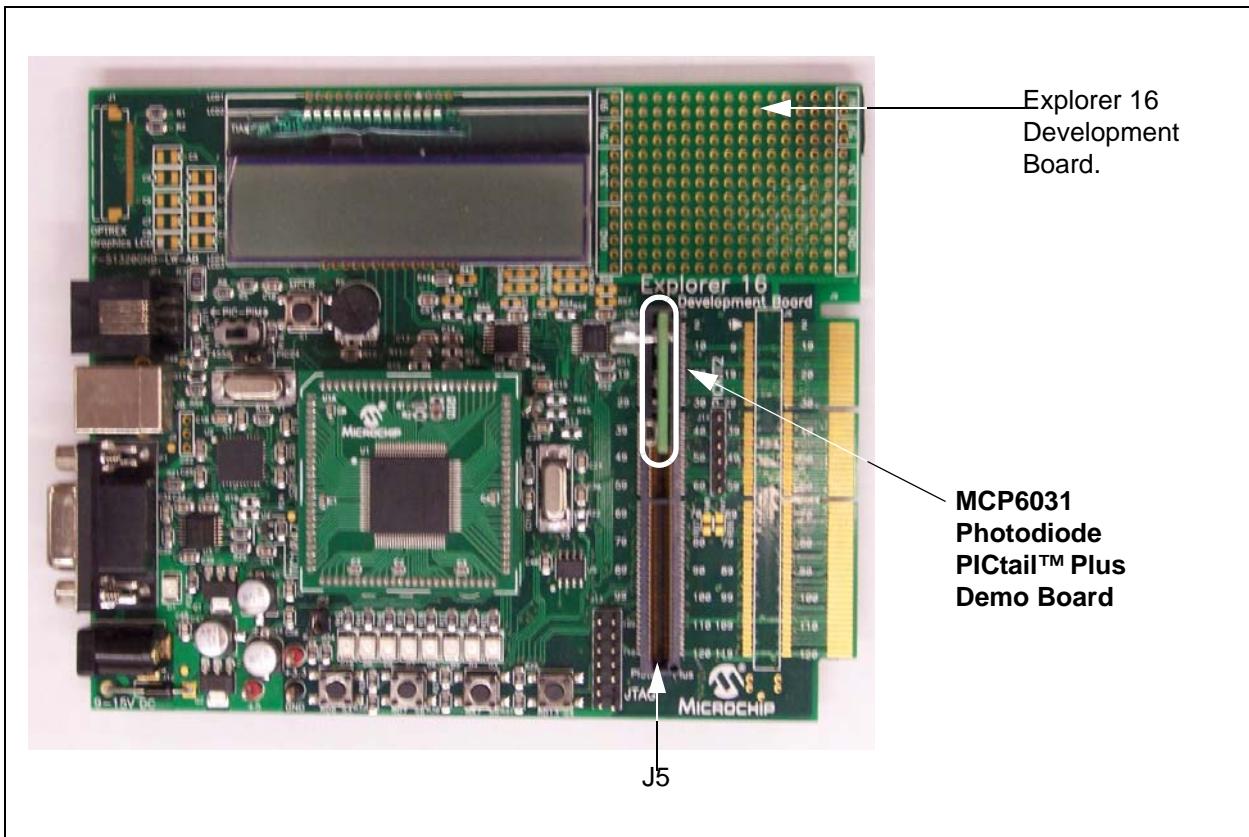
- Required Tools
- MCP6031 Photodiode PICtail™ Plus Demo Board Set-Up
- MCP6031 Photodiode PICtail™ Plus Demo Board Operation

### 2.2 REQUIRED TOOL

- Explorer 16 Development Board

### 2.3 MCP6031 PHOTODIODE PICtail™ PLUS DEMO BOARD SET-UP

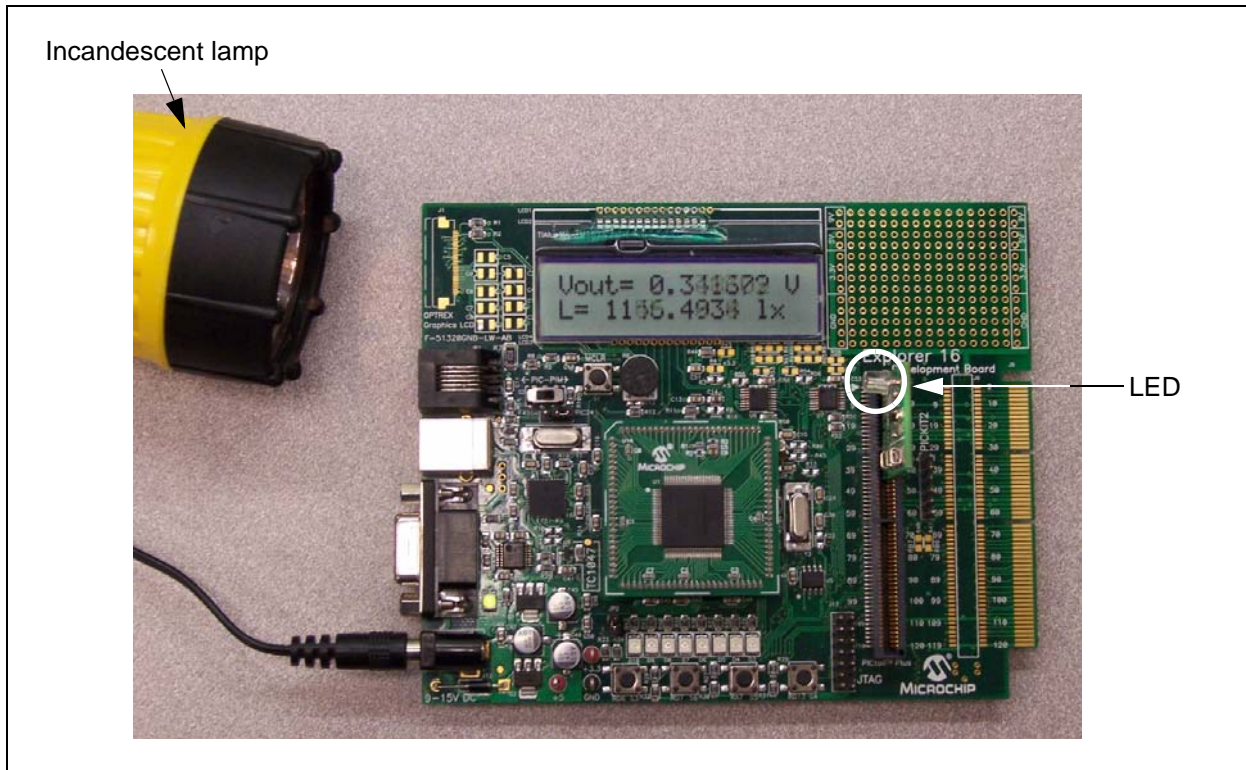
Insert the MCP6031 Photodiode PICtail™ Plus Demo Board into the Explorer 16 Development Board as shown in Figure 2-1. An exploded view is shown in the Figure 2-2.



**FIGURE 2-1:** MCP6031 Photodiode PICtail™ Plus Demo Board Set-Up.

## 2.4 MCP6031 PHOTODIODE PICtail™ PLUS DEMO BOARD OPERATION

Figure 2-2 shows data taken near an incandescent lamp powered by a battery.



**FIGURE 2-2:** MCP6031 Photodiode PICtail™ Plus Demo Board Operation.



# MCP6031 PHOTODIODE PICtail™ PLUS DEMO BOARD USER'S GUIDE

---

---

## Appendix A. Schematic and Layouts

---

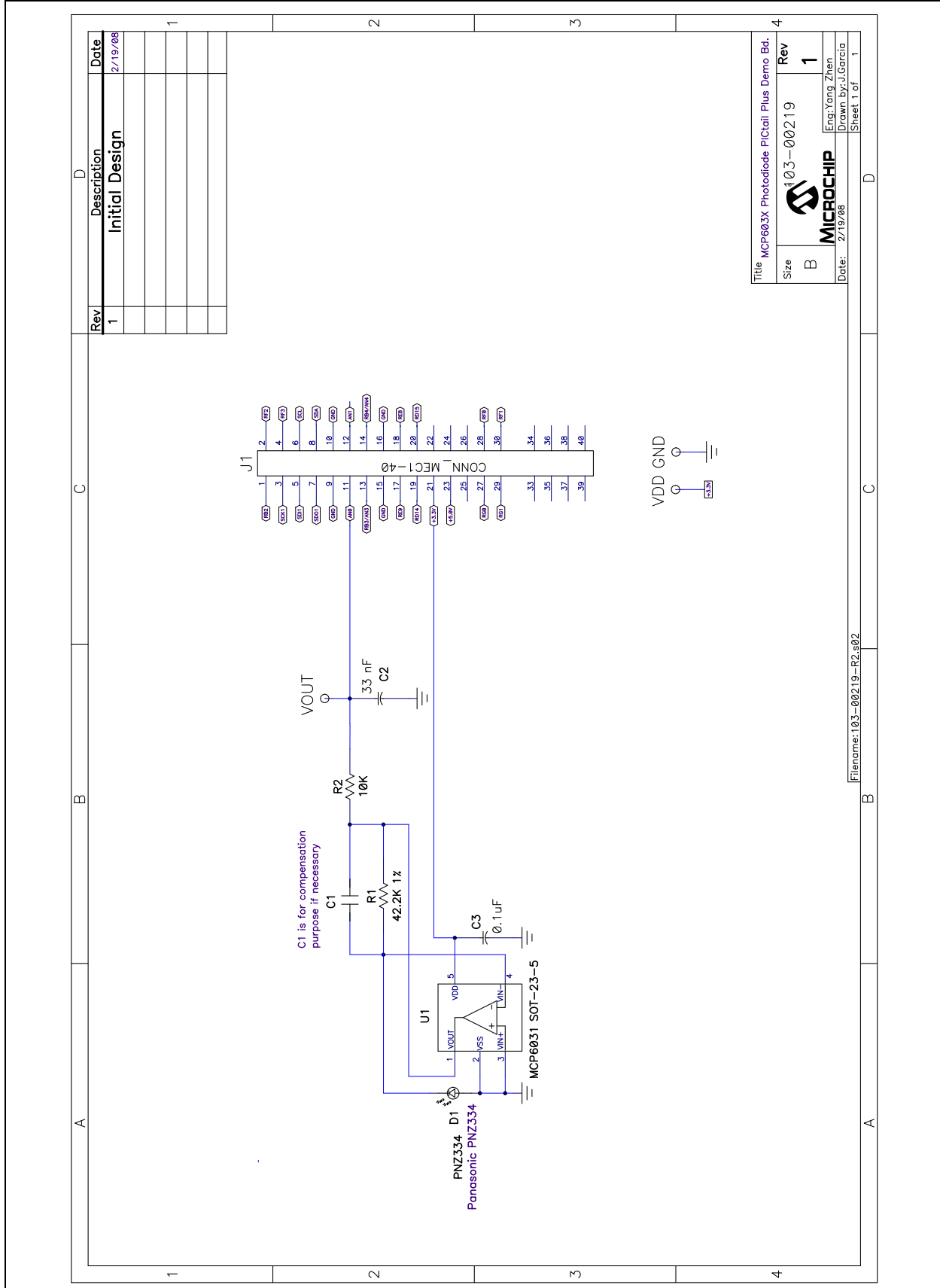
---

### A.1 INTRODUCTION

This appendix contains the following schematics and layouts for the MCP6031 Photodiode PICtail™ Plus Demo Board :

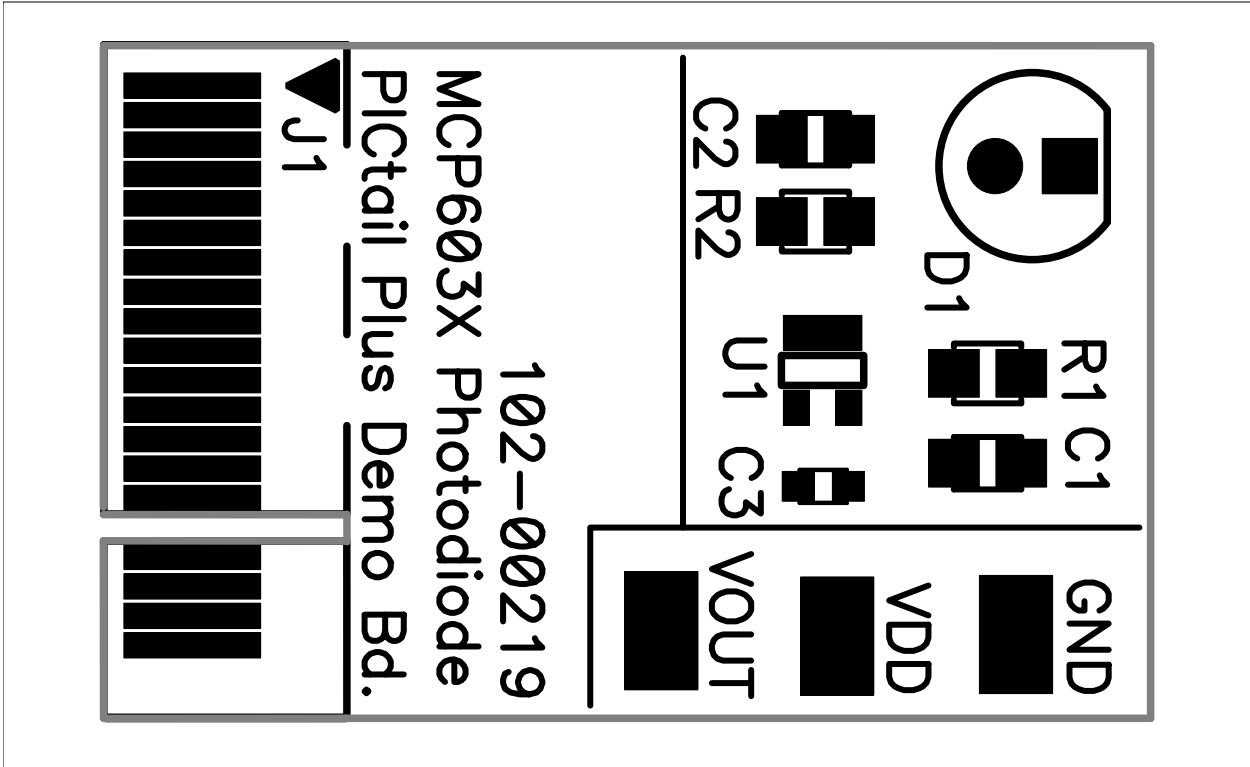
- Board – Schematic
- Board – Top Silk Layer
- Board - Top Metal And Top Silk Layers
- Board – Bottom Metal Layer

## A.2 BOARD - SCHEMATIC

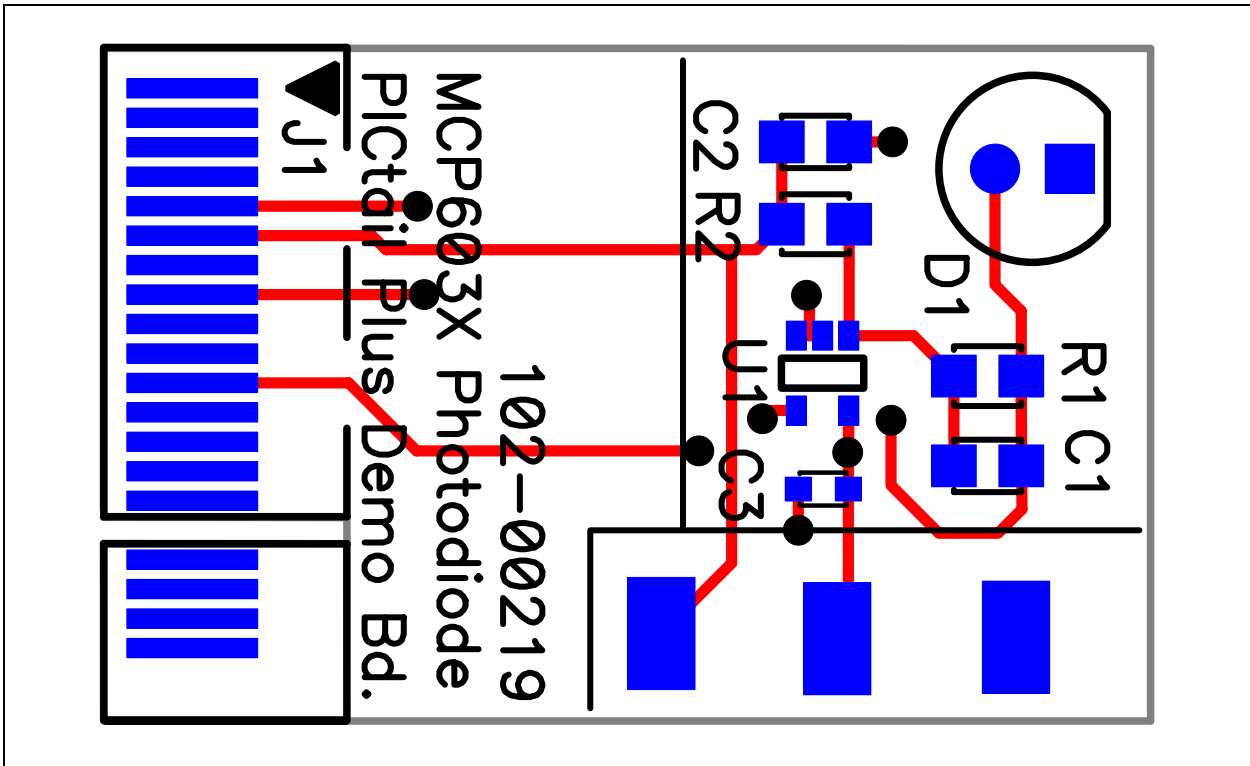




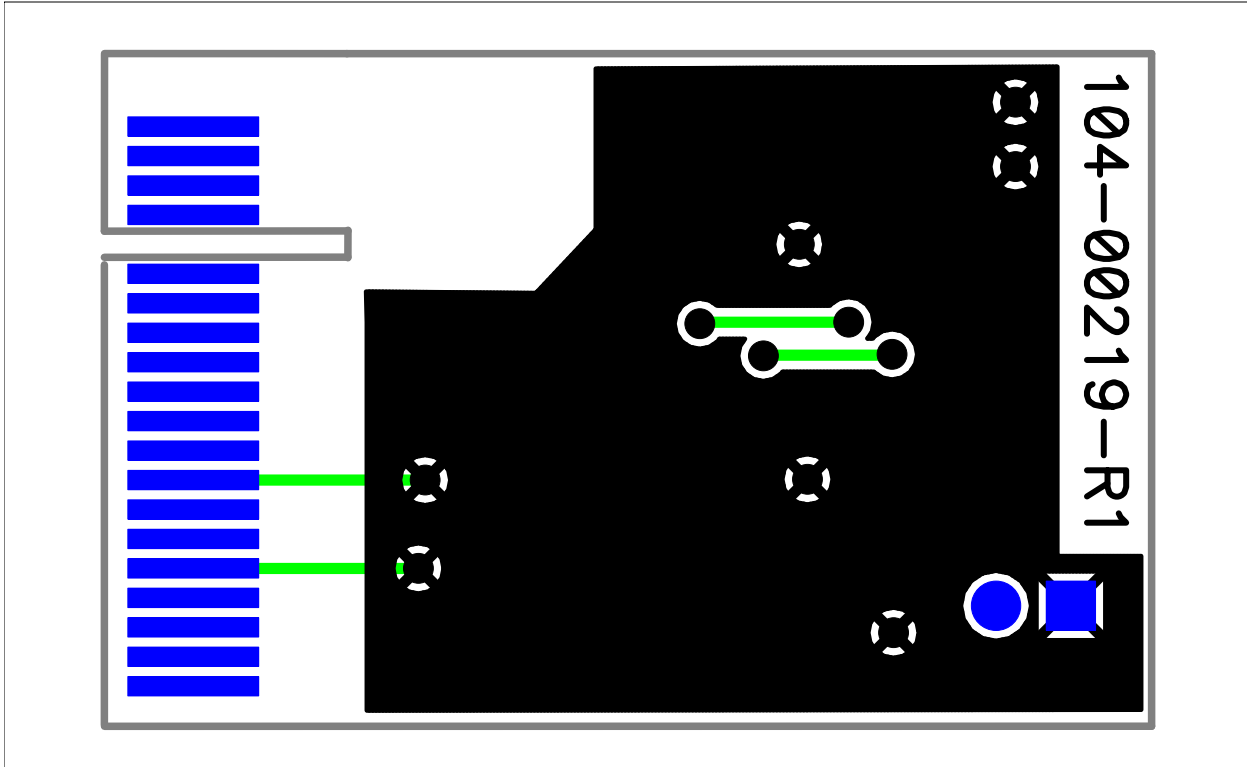
## A.3 BOARD - TOP SILK LAYER



## A.4 BOARD - TOP METAL AND TOP SILK LAYERS



A.5 BOARD - BOTTOM METAL LAYER





# MCP6031 PHOTODIODE PICtail™ PLUS DEMO BOARD USER'S GUIDE

## Appendix B. Bill of Materials (BOM)

**TABLE B-1: BILL OF MATERIALS (102-00219)**

Qty	Reference	Description	Manufacturer	Part Number
1	C2	CAP 33,000PF 50V CERM X7R 0805	Panasonic®	ECJ-2VB1H333K
2	C3, C4	CAP .1UF 25V CERAMIC X7R 0805	Panasonic®	ECJ-2VB1E104K
1	C5	CAP 1.0UF 16V CERAMIC X7R 0805	Kemet® Electronics Corp.	C0805C105K4RACTU
1	D1	PIN PHOTODIODE	Panasonic®	PNZ334
1	R1	RES 42.2K OHM 1/10W 1% 0805 SMD	Panasonic®	ERJ-6ENF4222V
1	R2	RES 10.0K OHM 1/10W 1% 0805 SMD	Panasonic®	ERJ-6ENF1002V
3	TP1—TP3	TEST POINT PC COMPACT SMT	Keystone Electronics	5016
1	U1	MCP6031, SOT-23-5	Microchip Technology Inc.	MCP6031T-E/OT

**Note:** The components listed in this Bill of Materials are representative of the PCB assembly. The released BOM used in manufacturing uses all RoHS-compliant components.

**TABLE B-2: BILL OF MATERIALS - UNPOPULATED PARTS**

Qty	Reference	Description	Manufacturer	Part Number
1	C1	Not Populated when shipped to customer	—	—

**Note:** The components listed in this Bill of Materials are representative of the PCB assembly. The released BOM used in manufacturing uses all RoHS-compliant components.



## WORLDWIDE SALES AND SERVICE

### AMERICAS

**Corporate Office**  
2355 West Chandler Blvd.  
Chandler, AZ 85224-6199  
Tel: 480-792-7200  
Fax: 480-792-7277  
Technical Support:  
<http://support.microchip.com>  
Web Address:  
[www.microchip.com](http://www.microchip.com)

**Atlanta**  
Duluth, GA  
Tel: 678-957-9614  
Fax: 678-957-1455

**Boston**  
Westborough, MA  
Tel: 774-760-0087  
Fax: 774-760-0088

**Chicago**  
Itasca, IL  
Tel: 630-285-0071  
Fax: 630-285-0075

**Dallas**  
Addison, TX  
Tel: 972-818-7423  
Fax: 972-818-2924

**Detroit**  
Farmington Hills, MI  
Tel: 248-538-2250  
Fax: 248-538-2260

**Kokomo**  
Kokomo, IN  
Tel: 765-864-8360  
Fax: 765-864-8387

**Los Angeles**  
Mission Viejo, CA  
Tel: 949-462-9523  
Fax: 949-462-9608

**Santa Clara**  
Santa Clara, CA  
Tel: 408-961-6444  
Fax: 408-961-6445

**Toronto**  
Mississauga, Ontario,  
Canada  
Tel: 905-673-0699  
Fax: 905-673-6509

### ASIA/PACIFIC

**Asia Pacific Office**  
Suites 3707-14, 37th Floor  
Tower 6, The Gateway  
Harbour City, Kowloon  
Hong Kong  
Tel: 852-2401-1200  
Fax: 852-2401-3431

**Australia - Sydney**  
Tel: 61-2-9868-6733  
Fax: 61-2-9868-6755

**China - Beijing**  
Tel: 86-10-8528-2100  
Fax: 86-10-8528-2104

**China - Chengdu**  
Tel: 86-28-8665-5511  
Fax: 86-28-8665-7889

**China - Hong Kong SAR**  
Tel: 852-2401-1200  
Fax: 852-2401-3431

**China - Nanjing**  
Tel: 86-25-8473-2460  
Fax: 86-25-8473-2470

**China - Qingdao**  
Tel: 86-532-8502-7355  
Fax: 86-532-8502-7205

**China - Shanghai**  
Tel: 86-21-5407-5533  
Fax: 86-21-5407-5066

**China - Shenyang**  
Tel: 86-24-2334-2829  
Fax: 86-24-2334-2393

**China - Shenzhen**  
Tel: 86-755-8203-2660  
Fax: 86-755-8203-1760

**China - Wuhan**  
Tel: 86-27-5980-5300  
Fax: 86-27-5980-5118

**China - Xiamen**  
Tel: 86-592-2388138  
Fax: 86-592-2388130

**China - Xian**  
Tel: 86-29-8833-7252  
Fax: 86-29-8833-7256

**China - Zhuhai**  
Tel: 86-756-3210040  
Fax: 86-756-3210049

### ASIA/PACIFIC

**India - Bangalore**  
Tel: 91-80-4182-8400  
Fax: 91-80-4182-8422

**India - New Delhi**  
Tel: 91-11-4160-8631  
Fax: 91-11-4160-8632

**India - Pune**  
Tel: 91-20-2566-1512  
Fax: 91-20-2566-1513

**Japan - Yokohama**  
Tel: 81-45-471- 6166  
Fax: 81-45-471-6122

**Korea - Daegu**  
Tel: 82-53-744-4301  
Fax: 82-53-744-4302

**Korea - Seoul**  
Tel: 82-2-554-7200  
Fax: 82-2-558-5932 or  
82-2-558-5934

**Malaysia - Kuala Lumpur**  
Tel: 60-3-6201-9857  
Fax: 60-3-6201-9859

**Malaysia - Penang**  
Tel: 60-4-227-8870  
Fax: 60-4-227-4068

**Philippines - Manila**  
Tel: 63-2-634-9065  
Fax: 63-2-634-9069

**Singapore**  
Tel: 65-6334-8870  
Fax: 65-6334-8850

**Taiwan - Hsin Chu**  
Tel: 886-3-572-9526  
Fax: 886-3-572-6459

**Taiwan - Kaohsiung**  
Tel: 886-7-536-4818  
Fax: 886-7-536-4803

**Taiwan - Taipei**  
Tel: 886-2-2500-6610  
Fax: 886-2-2508-0102

**Thailand - Bangkok**  
Tel: 66-2-694-1351  
Fax: 66-2-694-1350

### EUROPE

**Austria - Wels**  
Tel: 43-7242-2244-39  
Fax: 43-7242-2244-393

**Denmark - Copenhagen**  
Tel: 45-4450-2828  
Fax: 45-4485-2829

**France - Paris**  
Tel: 33-1-69-53-63-20  
Fax: 33-1-69-30-90-79

**Germany - Munich**  
Tel: 49-89-627-144-0  
Fax: 49-89-627-144-44

**Italy - Milan**  
Tel: 39-0331-742611  
Fax: 39-0331-466781

**Netherlands - Drunen**  
Tel: 31-416-690399  
Fax: 31-416-690340

**Spain - Madrid**  
Tel: 34-91-708-08-90  
Fax: 34-91-708-08-91

**UK - Wokingham**  
Tel: 44-118-921-5869  
Fax: 44-118-921-5820



## Стандарт Электрон Связь

Мы молодая и активно развивающаяся компания в области поставок электронных компонентов. Мы поставляем электронные компоненты отечественного и импортного производства напрямую от производителей и с крупнейших складов мира.

Благодаря сотрудничеству с мировыми поставщиками мы осуществляем комплексные и плановые поставки широчайшего спектра электронных компонентов.

Собственная эффективная логистика и склад в обеспечивает надежную поставку продукции в точно указанные сроки по всей России.

Мы осуществляем техническую поддержку нашим клиентам и предпродажную проверку качества продукции. На все поставляемые продукты мы предоставляем гарантию .

Осуществляем поставки продукции под контролем ВП МО РФ на предприятия военно-промышленного комплекса России , а также работаем в рамках 275 ФЗ с открытием отдельных счетов в уполномоченном банке. Система менеджмента качества компании соответствует требованиям ГОСТ ISO 9001.

Минимальные сроки поставки, гибкие цены, неограниченный ассортимент и индивидуальный подход к клиентам являются основой для выстраивания долгосрочного и эффективного сотрудничества с предприятиями радиоэлектронной промышленности, предприятиями ВПК и научно-исследовательскими институтами России.

С нами вы становитесь еще успешнее!

### Наши контакты:

**Телефон:** +7 812 627 14 35

**Электронная почта:** [sales@st-electron.ru](mailto:sales@st-electron.ru)

**Адрес:** 198099, Санкт-Петербург,  
Промышленная ул, дом № 19, литера Н,  
помещение 100-Н Офис 331