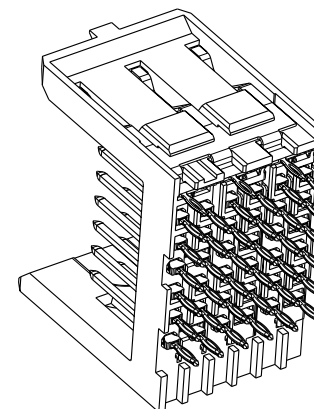
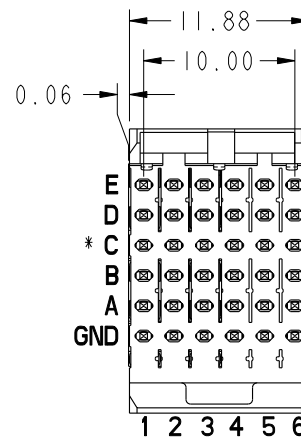
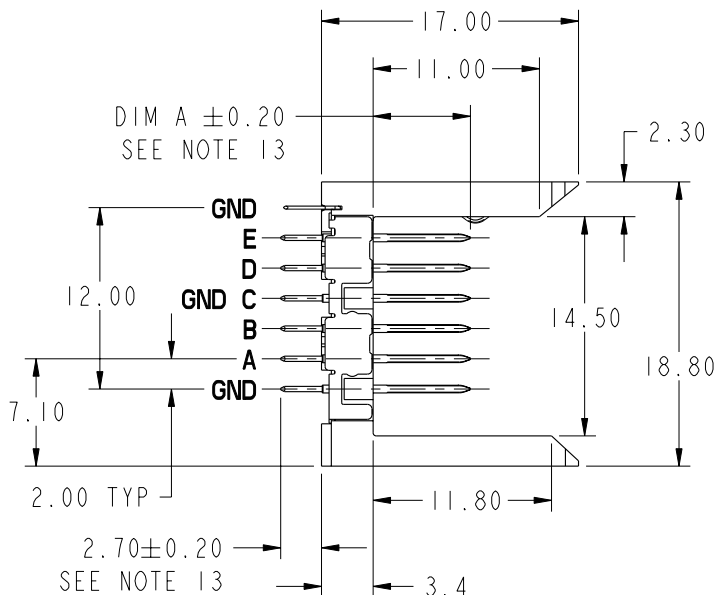
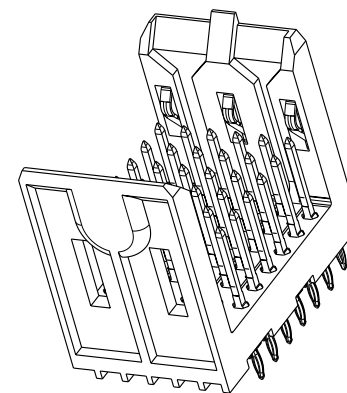
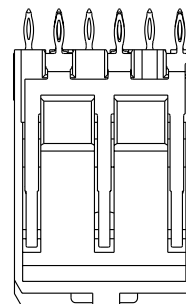


| PRODUCT NUMBER | PLATING PERFORMANCE LEVEL | APPLICATION |
|----------------|---------------------------|-------------|
| 59567-1YYY     | TELCORDIA CO              | STANDARD    |
| 59567-1YYYYLF  |                           | LEAD FREE   |
| 59567-5YYY     | TELCORDIA UE              | STANDARD    |
| 59567-5YYYYLF  |                           | LEAD FREE   |



This document is the property of and embodies CONFIDENTIAL and PROPRIETARY information of FCI. No part of the information shown on this document may be used in any way or disclosed to others without the written consent of FCI. Copyright FCI.


**\*ROW C INFORMATION**  
 ODD NUMBER COLUMNS WITHIN ROW C ARE COMMONED TO GROUND INTERNALLY WITHIN THE HOUSING. THE EVEN NUMBER COLUMNS WITHIN ROW C ARE NOT. FOR MAXIMUM PERFORMANCE IT IS RECOMMENDED THESE EVEN COLUMNS BE GROUND COMMONED WITHIN PCB. SEE NOTE 12

|                      |                |     |            |                                       |                        |            |                               |             |
|----------------------|----------------|-----|------------|---------------------------------------|------------------------|------------|-------------------------------|-------------|
| mat'l code SEE TABLE |                |     |            | tolerances unless otherwise specified |                        | CUSTOMER   | www.fciconnect.com            |             |
| ltr                  | ecn no.        | dr  | date       | linear                                | 0.X ±0.3               | COPY       | title                         |             |
| H                    | V06-0115       | LP  | 2006/04/21 |                                       | 0.XX ±0.13             | projection | VERTICAL SIGNAL HDR 5 ROW     |             |
| J                    | V07-0188       | DCH | 2007-04-24 |                                       | .XXX ±.051             |            | P.F. 30 POS. SELECT LOAD EXT. |             |
| K                    | V07-0696       | HTB | 2007-11-28 | angles                                | 0° ±2°                 | MM         | product family                | METRAL 4000 |
| -                    | -              | -   | -          | dr                                    | E. KROPER. 2001-10-25  | ← MM →     | code                          | 213         |
| E                    | V05-0191       | DAI | 2005-04-15 | engr                                  | J. VOLSTORF 2001-10-25 | scale      | size                          | dwg no      |
| F                    | V05-0722       | TAB | 2005-08-04 | chr                                   | J. VOLSTORF 2001-10-25 | 2:1        | A                             | 59567       |
| G                    | V06-0335       | LP  | 2006-04-11 | appd                                  | J. VOLSTORF 2001-10-25 |            | sheet                         | 1 of 4      |
| sheet index          | revision sheet | K 1 | K 2        | K 3                                   | K 4                    |            |                               |             |


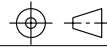


PRODUCT NUMBER  
SEE SHEET 1

NOTES:

1. SEE APPLICATION SPECIFICATION GS-20-014 FOR INFORMATION ON AVAILABLE TOOLING, CIRCUIT BOARD DESIGN CONSIDERATIONS, REPAIR PROCEDURES AND PRODUCT OFFERINGS.  
SEE PRODUCT SPECIFICATION GS-12-184.
2. UNLESS OTHERWISE SPECIFIED, ALL DIMENSIONS AND TOLERANCES ARE IN ACCORDANCE WITH ASME Y14.5, 1994
3. HOUSING MATERIAL: LIQUID CRYSTAL POLYMER, 30% GLASS FILLED, FLAME RETARDANT PER UL 94-V0.  
PIN MATERIAL: PHOSPHOR BRONZE  
GROUND SPRING MATERIAL: PHOSPHOR BRONZE  
STRIPLINE SHIELD MATERIAL: PHOSPHOR BRONZE
4. PLATING INFORMATION: PLATING ON CONTACT AREAS MEETS PERFORMANCE LEVELS SHOWN IN TABLE ON SHEET 1. PLATING ON "LF" TAILS IS Sn ONLY.  
ALL OTHERS ARE TIN-LEAD.
5. DIMENSIONAL RESTRICTIONS OF PINS IN HEADERS.  
FOR USE WITH METRAL 4000 RECEPTACLES.  
DIM A : 5.00mm MIN, 6.50mm MAX FOR ROWS A,B,D,E  
DIM A : 5.00mm MIN, 8.00mm MAX FOR ROWS C-F  
DIM A : 5.00mm MIN, 5.75mm MAX FOR ROWS GND  
FOR USE WITH METRAL 1000 RECEPTACLES  
DIM A : 5.00mm MIN, 8.00mm MAX FOR ROWS A,B,C,D,E  
DIM A : 5.00mm MIN, 5.75mm MAX FOR ROW GND
6. THE MIN PCB THICKNESS FOR FRONT PLUG-UP APPLICATIONS IS 1.6mm.
7. THE 'CONNECTOR OUTLINE' IS THE MIN OUTLINE REQUIRED. TO DETERMINE THE OUTLINE NECESSARY TO PERMIT THE VARIOUS TYPES OF REPAIR OPERATIONS, SEE APPLICATION SPECIFICATION GS-20-010.
8. CURRENT RATING : 1 AMP PER PIN
9. TEMPERATURE RANGE : -55°C TO +105°C
10. P/N 59567-XXXXLF  



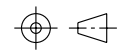

LEAD FREE (OPTIONAL)  
SELECT LOAD PATTERN  
PLATING CODE
11. AVOID TRACES ON TOP OF BOARD DUE TO EXPOSED GROUND SHIELD.
12. FOR FRONT PLUG-UP APPLICATIONS, THE EVEN NUMBERED PINS IN ROW "C" CAN BE USED FOR POWER AS WELL AS GROUND. IF THE SURROUNDING PINS ARE NOT USED FOR POWER, THEN EACH PIN CAN CARRY 3 AMPS. IF THE SURROUNDING PINS ARE USED FOR POWER, THEN EACH PIN CAN CARRY 1 AMP. WHEN THE SURROUNDING PINS ARE USED ONLY FOR LOW SPEED SIGNALS, THEN THE EVEN NUMBERED "C" ROW PINS CAN ALSO BE USED FOR LOW SPEED SIGNALS.
13. AFTER INSERTION INTO CIRCUIT BOARD WITH QUALIFIED TOOL.
14. THE PRODUCTS WHERE THE PART NUMBER ENDS IN LF MEET THE EUROPEAN UNION DIRECTIVES AND OTHER COUNTRY REGULATIONS AS DESCRIBED IN GS-22-008.  
  
ALL PRODUCTS WILL WITHSTAND EXPOSURE TO 260°C FOR 60 SECONDS IN A CONVECTION, INFRA-RED OR VAPOR PHASE REFLOW OVEN.
15. FOR LEAD FREE PART NUMBERS, ADD AN "LF" SUFFIX.  
EXAMPLE: 59567-X001LF
16. EQUIVALENT PRECIOUS METAL PLATINGS MAY BE SUBSTITUTED.

|                      |                |    |      |                                       |             |            |  |   |   |   |
|----------------------|----------------|----|------|---------------------------------------|-------------|------------|--|---|---|---|
| mat'l code SEE TABLE |                |    |      | tolerances unless otherwise specified |             | CUSTOMER   |  | <br>www.fciconnect.com |   |   |
| ltr                  | ecr no.        | dr | date | linear                                | 0.X ±0.3    | COPY       |  | <br>projection         | title<br>VERTICAL SIGNAL HDR 5 ROW<br>P.F. 30 POS. SELECT LOAD EXT. |   |
| K                    |                |    |      |                                       | 0.XX ±0.13  | MM         |  |   |   | product family METRAL 4000 code<br>size dwg no<br>A 59567 213<br>sheet<br>3 |
|                      |                |    |      |                                       | .XXX ±.051  | 2:1        |  |   |   |   |
|                      |                |    |      | 0° ±2°                                | scale       |            |  |   |   |   |
|                      |                |    |      | dr                                    | E. KROPER.  | 2001-10-25 |  |   |   |   |
|                      |                |    |      | enrg                                  | J. VOLSTORF | 2001-10-25 |  |   |   |   |
|                      |                |    |      | chr                                   | J. VOLSTORF | 2001-10-25 |  |   |   |   |
|                      |                |    |      | appd                                  | J. VOLSTORF | 2001-10-25 |  |   |   |   |
| sheet index          | revision sheet |    |      |                                       |             |            |  |   |   |   |

This document is the property of and embodies CONFIDENTIAL and PROPRIETARY information of FCI. No part of the information shown on this document may be used in any way or disclosed to others without the written consent of FCI. Copyright FCI.

| SELECT LOAD PATTERNS                      |     |        |    |    |    |    |    |
|---|-----|--------|----|----|----|----|----|
| PRODUCT #                                 | ROW | COLUMN |    |    |    |    |    |
|   |     | 1      | 2  | 3  | 4  | 5  | 6  |
| 59567-X002<br>59567-X002LF<br>SEE NOTE 15 | E   | 02     | 02 | 02 | 02 | 02 | 02 |
|   | D   | 02     | 02 | 02 | 02 | 02 | 02 |
|   | C   | 02     | 02 | 02 | 02 | 02 | 02 |
|   | B   | 02     | 02 | 02 | 02 | 02 | 02 |
|   | A   | 02     | 02 | 02 | 02 | 02 | 02 |
|   | GND | -      | 02 | -  | 02 | -  | 02 |
| PRODUCT #                                 | ROW | COLUMN |    |    |    |    |    |
|   |     | 1      | 2  | 3  | 4  | 5  | 6  |
| 59567-X003<br>59567-X003LF<br>SEE NOTE 15 | E   | 02     | 02 | 02 | 02 | 02 | 02 |
|   | D   | 02     | 02 | 02 | 02 | 02 | 02 |
|   | C   | 03     | 03 | 03 | 03 | 03 | 03 |
|   | B   | 02     | 02 | 02 | 02 | 02 | 02 |
|   | A   | 03     | 03 | 02 | 02 | 02 | 02 |
|   | GND | 02     | 02 | 02 | 02 | 02 | 02 |
| PRODUCT #                                 | ROW | COLUMN |    |    |    |    |    |
|   |     | 1      | 2  | 3  | 4  | 5  | 6  |
| 59567-X004<br>59567-X004LF<br>SEE NOTE 15 | E   | 02     | 02 | 02 | 02 | 02 | 02 |
|   | D   | 02     | 02 | 02 | 02 | 02 | 02 |
|   | C   | 02     | 02 | 02 | 02 | 02 | 02 |
|   | B   | 02     | 02 | 02 | 02 | 02 | 02 |
|   | A   | 03     | 02 | 02 | 02 | 02 | 02 |
|   | GND | 02     | 02 | 02 | 02 | 02 | 02 |
| PRODUCT #                                 | ROW | COLUMN |    |    |    |    |    |
|   |     | 1      | 2  | 3  | 4  | 5  | 6  |
| 59567-X005<br>59567-X005LF<br>SEE NOTE 15 | E   | 02     | 02 | 02 | 02 | 02 | 02 |
|   | D   | 02     | 02 | 02 | 02 | 02 | 02 |
|   | C   | 03     | 03 | 03 | 03 | 03 | 03 |
|   | B   | 02     | 02 | 02 | 02 | 02 | 02 |
|   | A   | 03     | 02 | 02 | 02 | 02 | 02 |
|   | GND | 02     | 02 | 02 | 02 | 02 | 02 |

| DIM A | PIN CODES |
|-------|-----------|
| 5.00  | 01        |
| 5.75  | 02        |
| 6.50  | 03        |
| 7.25  | 04        |
| 8.00  | *19       |

|             |                |           |      |                                       |             |            |   |   |  |
|-------------|----------------|-----------|------|---------------------------------------|-------------|------------|---|---|--|
| mat'l code  |                | SEE TABLE |      | tolerances unless otherwise specified |             | CUSTOMER   |   | <br>www.fciconnect.com |  |
| ltr         | ecn no.        | dr        | date | linear                                | 0.X ±0.3    |            | COPY  |   | title VERTICAL SIGNAL HDR 5 ROW<br>P.F. 30 POS. SELECT LOAD EXT. |
| K           |                |           |      |                                       | 0.XX ±0.13  |            | projection  |   |  |
|             |                |           |      |                                       | .XXX ±.051  |            |  |   |  |
|             |                |           |      | angles                                | 0° ±2°      |            |  |   | product family METRAL 4000 code 213<br>size dwg no 59567 sheet 4 |
|             |                |           |      | dr                                    | E. KROPER.  | 2001-10-25 | scale   |   |  |
|             |                |           |      | engr                                  | J. VOLSTORF | 2001-10-25 | 2:1   |   |  |
|             |                |           |      | chr                                   | J. VOLSTORF | 2001-10-25 | A   |   | cage code 22526  |
|             |                |           |      | appd                                  | J. VOLSTORF | 2001-10-25 |   |   |  |
| sheet index | revision sheet |           |      |                                       |             |            |   |   |  |



This document is the property of and embodies CONFIDENTIAL and PROPRIETARY information of FCj. No part of the information shown on this document may be used in any way or disclosed to others without the written consent of FCj. Copyright FCj.



## Стандарт Электрон Связь

Мы молодая и активно развивающаяся компания в области поставок электронных компонентов. Мы поставляем электронные компоненты отечественного и импортного производства напрямую от производителей и с крупнейших складов мира.

Благодаря сотрудничеству с мировыми поставщиками мы осуществляем комплексные и плановые поставки широчайшего спектра электронных компонентов.

Собственная эффективная логистика и склад в обеспечивает надежную поставку продукции в точно указанные сроки по всей России.

Мы осуществляем техническую поддержку нашим клиентам и предпродажную проверку качества продукции. На все поставляемые продукты мы предоставляем гарантию .

Осуществляем поставки продукции под контролем ВП МО РФ на предприятия военно-промышленного комплекса России , а также работаем в рамках 275 ФЗ с открытием отдельных счетов в уполномоченном банке. Система менеджмента качества компании соответствует требованиям ГОСТ ISO 9001.

Минимальные сроки поставки, гибкие цены, неограниченный ассортимент и индивидуальный подход к клиентам являются основой для выстраивания долгосрочного и эффективного сотрудничества с предприятиями радиоэлектронной промышленности, предприятиями ВПК и научно-исследовательскими институтами России.

С нами вы становитесь еще успешнее!

### Наши контакты:

**Телефон:** +7 812 627 14 35

**Электронная почта:** [sales@st-electron.ru](mailto:sales@st-electron.ru)

**Адрес:** 198099, Санкт-Петербург,  
Промышленная ул, дом № 19, литера Н,  
помещение 100-Н Офис 331