



MAX8815A Evaluation Kit

Evaluates: MAX8815A

General Description

The MAX8815A evaluation kit (EV kit) is a fully assembled and tested printed-circuit board (PCB) for evaluating the MAX8815A step-up converter. The MAX8815A is a 1A (maximum load), 97% efficient, 35 μ A quiescent current step-up converter with True Shutdown™ and is ideal for use in DSC, DVC, and other handheld applications. The MAX8815A EV kit is designed for a 5V output and also provides a jumper for evaluation of fixed-frequency pulse-width-modulation mode (FPWM) or normal mode.

True Shutdown is a trademark of Maxim Integrated Products, Inc.

Component Suppliers

SUPPLIER	PHONE	WEBSITE
NEC TOKIN America, Inc.	408-324-1790	www.nec-tokinamerica.com
Sullins Electronics Corp.	760-744-0125	www.sullinselectronics.com
Taiyo Yuden	408-573-4150	www.t-yuden.com
TOKO	847-297-0070	www.toko.com

Note: Indicate that you are using the MAX8815A when contacting these component suppliers.

DESIGNATION	QTY	DESCRIPTION
C1A	0	Not installed, capacitor
C1B	1	10 μ F \pm 10%, 6.3V X5R ceramic capacitor (0805) Taiyo Yuden JMK212BJ106KG, or equivalent
C2A	0	Not installed, capacitor
C2B	1	22 μ F/10V, 70m Ω ESR tantalum capacitor NEC Tokin PSLB31A226M
C3	1	0.1 μ F \pm 20%, 10V X5R ceramic capacitor (0402) Taiyo Yuden LMK105BJ104MV
JU1, JU2	2	3-pin headers 1 x 36-pin headers, 0.1in centers (comes in 1 x 36-pin strips, cut to fit) Sullins PEC36SAAN Digi-Key S1012E-36-ND

Features

- ◆ Up to 97% Efficiency with Internal Synchronous Rectifier
- ◆ Low 35 μ A (Switching) Quiescent Current
- ◆ Guaranteed 1A Output Current at 5V from 2.5V Input
- ◆ Guaranteed 500mA Output Current at 5V from 1.8V Input
- ◆ Low-Noise Constant Frequency Operation (FPWM Mode)
- ◆ 2MHz PWM Switching Frequency
- ◆ Preset (5V) or Adjustable Output (3.3V to 5V)
- ◆ Controlled Current in Soft-Start Limits Inrush Current
- ◆ True Shutdown
- ◆ Internal Compensation
- ◆ Overload/Short-Circuit Protection
- ◆ 0.1 μ A Shutdown Current
- ◆ Lead-Free and RoHS Compliant
- ◆ Fully Assembled and Tested

Ordering Information

PART	TYPE
MAX8815AEVKIT+	EV Kit

+Denotes lead-free and RoHS compliant.

Component List

DESIGNATION	QTY	DESCRIPTION
L1	1	1.2 μ H inductor TOKO A1124BS-1R2 (DE4512CK Series)
R1	0	PCB short, resistor (0402)
R2	0	Not installed, resistor (0402)
R3	1	100 Ω \pm 1% resistor (0402)
U1	1	MAX8815AETB+ (10 TDFN-EP, 3mm x 3mm)
—	1	PCB: MAX8815A Evaluation Kit+



MAX8815A Evaluation Kit

Quick Start

Recommended Equipment

- A 1.2V to 5.5V power supply capable of delivering 2.5A
- One voltmeter (DMM)
- Load capable of sinking 1A
- Ammeter (optional)

Procedure

The MAX8815A EV kit is fully assembled and tested. Follow the steps below to verify board operation.

- 1) Preset the power supply to 3.6V.
- 2) Turn off the power supply. **Do not turn on the power supply until all connections are completed.**
- 3) Verify that the shunt on JU1 is connected to OFF (pins 2 and 3). Verify that the shunt on JU2 is connected to NORM (pins 2 and 3).
- 4) Connect the positive power-supply terminal to the pad on the EV kit labeled IN. Connect the power-supply ground terminal to the pad on the EV kit labeled GND.
- 5) Connect a voltmeter across the OUT pad on the EV kit and the GND pad on the EV kit.
- 6) Connect the 1A load between OUT and GND with the load set to minimum.
- 7) Turn on the power supply.
- 8) Verify that the voltmeter is reading 0V and input current is less than 1 μ A.
- 9) Remove the shunt from the OFF position (pins 2 and 3) of JU1 and place it on the ON position (pins 1 and 2) of JU1.
- 10) Verify the voltmeter is measuring between 4.95V and 5.05V.
- 11) Slowly increase the load up to 1A and verify the output voltage.

Detailed Description

Normal and FPWM Mode

The MAX8815A operates in two modes, normal mode and FPWM mode, depending on the voltage at SKIPB. SKIPB is assigned to pin 2 on jumper JU2. Connecting a shunt to pins 2 and 3 of JU2 sets the IC to normal operation. Connecting a shunt to pins 1 and 2 sets the IC to FPWM mode only.

Normal Mode

Drive SKIPB low to select the normal mode of operation. In this mode, the device operates in PWM only when driving medium to heavy loads. As the load current decreases and crosses the low-power idle-mode threshold, the PWM comparator and oscillator are disabled. In this low-power mode, switching occurs only as needed to service the output. This improves the efficiency for light loads, and the device consumes only 35 μ A under no-load conditions. The threshold for entering skip mode is approximately 90mA load with a 3.6V input and 5V output. When switching in normal mode, the inductor current terminates at zero for each switching cycle.

FPWM Mode

Drive SKIPB high to select the FPWM mode of operation. The IC switches at a constant frequency (2MHz) and modulates the MOSFET switch pulse width to control the power transferred per cycle to regulate the output voltage. Switching harmonics generated by fixed-frequency operation are consistent and easily filtered. This is important in noise-sensitive applications.

The MAX8815A does not allow for dynamic switching between normal and FPWM modes.

Shutdown Mode

Connect ON to GND or connect a shunt to pins 2 and 3 of JU1 to place the MAX8815A in shutdown mode and reduce supply current to 0.1 μ A. In shutdown, the control circuitry, internal switching MOSFET, and synchronous rectifier turn off and LX becomes high impedance. Connect ON to IN or connect a shunt to pins 1 and 2 of JU1 for normal operation.

Evaluating Other Output Voltages

The MAX8815A EV kit is designed for the preset output voltage of 5V. To set other output voltages, use external feedback resistors.

To set the output voltage between 3.3V and 5V, cut the PCB short on resistor R1, and connect FB to the center of an external resistor voltage-divider between OUT and GND, as shown in Figure 2. Select the value of R2 no more than 500k Ω , and then calculate the value for R1 as follows:

$$R1 = R2 (V_{OUT}/V_{FB} - 1)$$

where V_{FB} is the FB regulation voltage, 1.265V (typ).

MAX8815A Evaluation Kit

Evaluates: MAX8815A

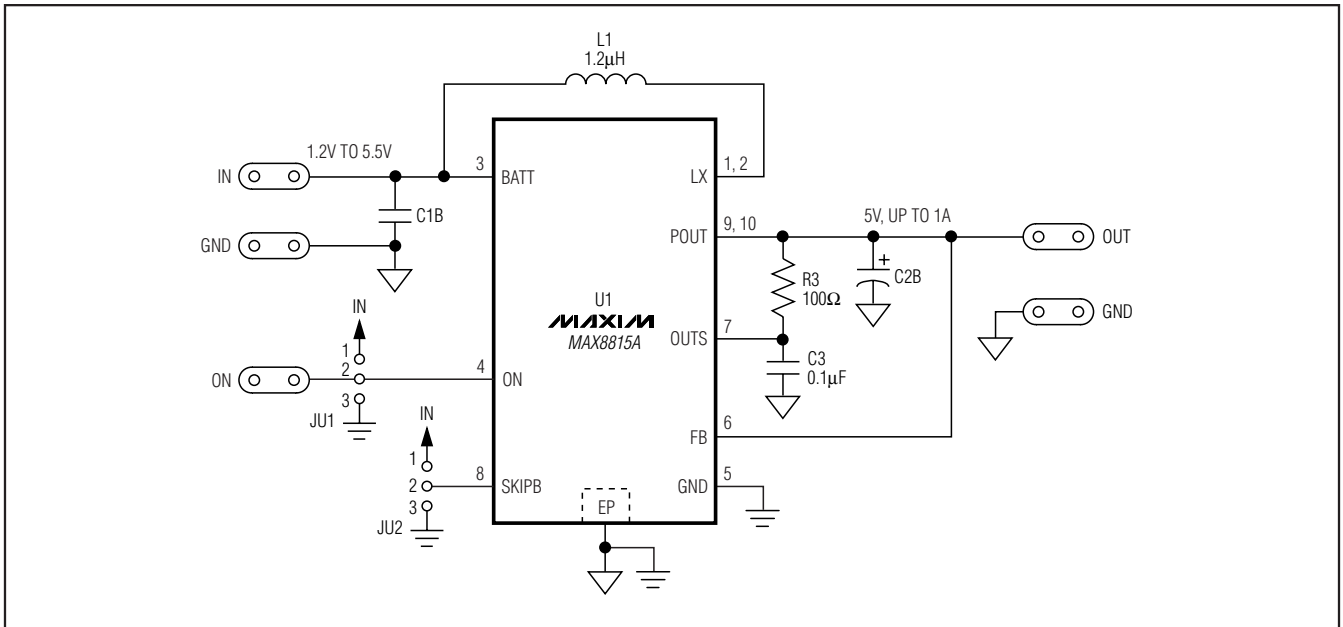


Figure 1. MAX8815A EV Kit Schematic—Fixed 5V Output

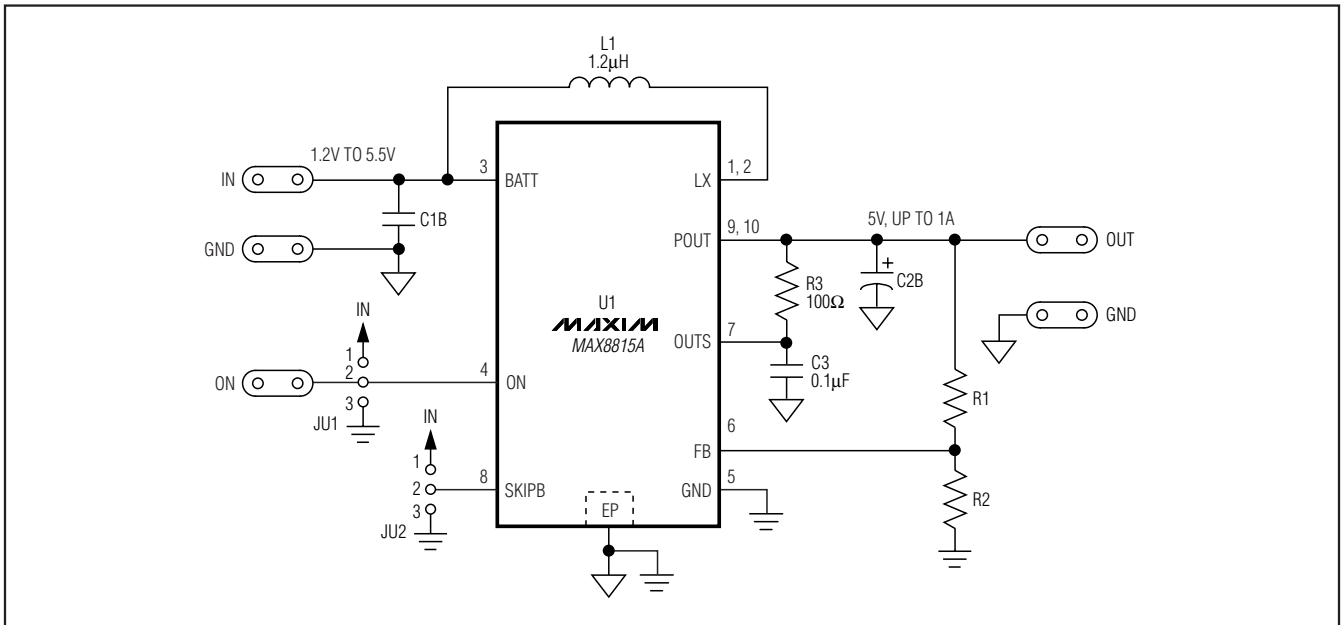


Figure 2. MAX8815A EV Kit—Adjustable Output Voltage

MAX8815A Evaluation Kit

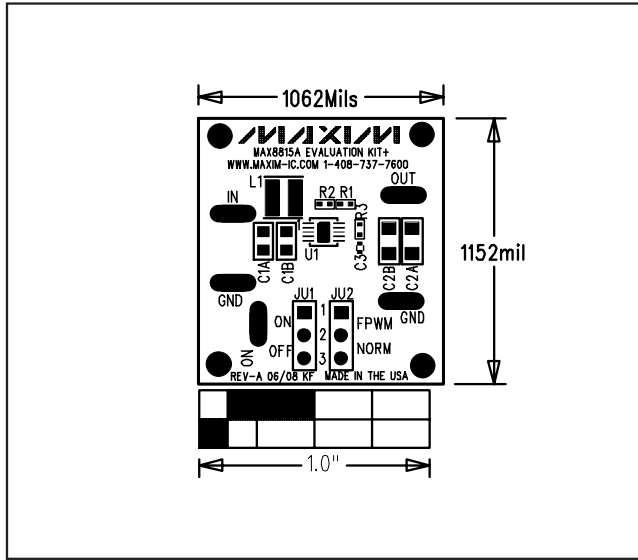


Figure 3. MAX8815A EV Kit Component Placement Guide—Component Side

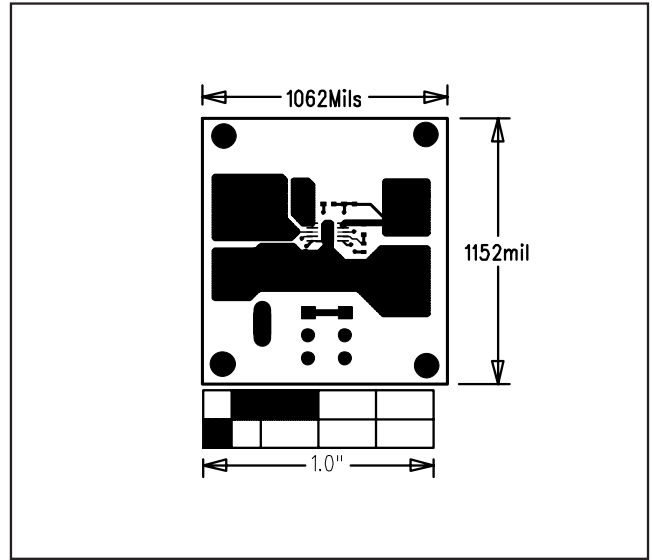


Figure 4. MAX8815A EV Kit PCB Layout—Component Side

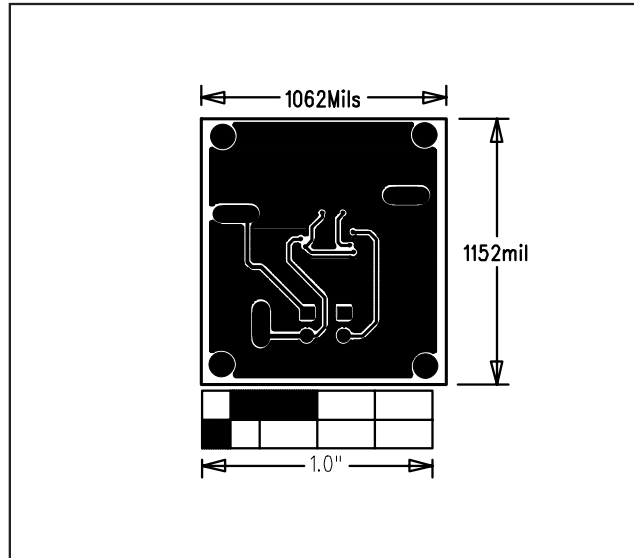


Figure 5. MAX8815A EV Kit PCB Layout—Solder Side

Maxim cannot assume responsibility for use of any circuitry other than circuitry entirely embodied in a Maxim product. No circuit patent licenses are implied. Maxim reserves the right to change the circuitry and specifications without notice at any time.

4 _____ **Maxim Integrated Products, 120 San Gabriel Drive, Sunnyvale, CA 94086 408-737-7600**



Стандарт Электрон Связь

Мы молодая и активно развивающаяся компания в области поставок электронных компонентов. Мы поставляем электронные компоненты отечественного и импортного производства напрямую от производителей и с крупнейших складов мира.

Благодаря сотрудничеству с мировыми поставщиками мы осуществляем комплексные и плановые поставки широчайшего спектра электронных компонентов.

Собственная эффективная логистика и склад в обеспечивает надежную поставку продукции в точно указанные сроки по всей России.

Мы осуществляем техническую поддержку нашим клиентам и предпродажную проверку качества продукции. На все поставляемые продукты мы предоставляем гарантию .

Осуществляем поставки продукции под контролем ВП МО РФ на предприятия военно-промышленного комплекса России , а также работаем в рамках 275 ФЗ с открытием отдельных счетов в уполномоченном банке. Система менеджмента качества компании соответствует требованиям ГОСТ ISO 9001.

Минимальные сроки поставки, гибкие цены, неограниченный ассортимент и индивидуальный подход к клиентам являются основой для выстраивания долгосрочного и эффективного сотрудничества с предприятиями радиоэлектронной промышленности, предприятиями ВПК и научно-исследовательскими институтами России.

С нами вы становитесь еще успешнее!

Наши контакты:

Телефон: +7 812 627 14 35

Электронная почта: sales@st-electron.ru

Адрес: 198099, Санкт-Петербург,
Промышленная ул, дом № 19, литера Н,
помещение 100-Н Офис 331