

# 10-Channel Serial-Input Latched Display Driver

## Features

- ▶ High output voltage 80V
- ▶ High speed 5MHz @ 5.0V<sub>DD</sub>
- ▶ Low power I<sub>BB</sub> ≤ 0.1mA (all high)
- ▶ Active pull down 100µA min
- ▶ Output source current 100mA at 60V V<sub>PP</sub>
- ▶ Each device drives 10 lines
- ▶ High-speed serially-shifted data input
- ▶ 5.0V CMOS-compatible inputs
- ▶ Latches on all driver outputs
- ▶ Pin-compatible replacement for UCN5810A and TL4810A, TL4810B

## Applications

- ▶ High speed dot matrix print head driver
- ▶ VFD (vacuum fluorescent display) driver

## Ordering Information

Device	Package Options	
	20-J Lead PLCC	20-Lead SOW
HV6810	HV6810PJ-G	HV6810WG-G

-G indicates package is RoHS compliant ("Green")



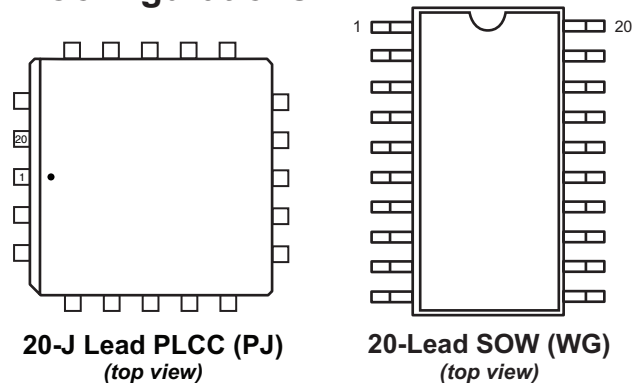
## General Description

The HV6810 is a monolithic integrated circuit designed to drive a dot matrix or segmented vacuum fluorescent display (VFD). These devices feature a serial data output to cascade additional devices for large displays.

A 10-bit data word is serially loaded into the shift register on the positive-going transition of the clock. Parallel data is transferred to the output buffers through a 10-bit D-type latch while the latch enable input is high, and is latched when the latch enable is low. When the blanking input is high, all of the outputs are low.

Outputs are structures formed by double-diffused MOS (DMOS) transistors with output voltage ratings of 80V and 25mA source-current capability. All inputs are compatible with CMOS levels.

## Pin Configurations



## Absolute Maximum Ratings

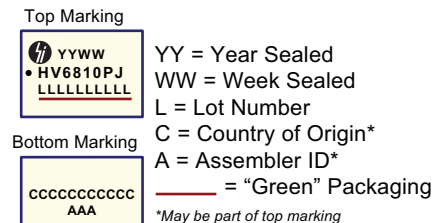
Parameter	Value
Logic supply voltage, V <sub>DD</sub> <sup>(1)</sup>	7.5V
Driver supply voltage, V <sub>BB</sub> <sup>(1)</sup>	90V
Output voltage <sup>(1)</sup>	90V
Input voltage <sup>(1)</sup>	-0.3V to V <sub>DD</sub> + 0.3V
Continuous total power dissipation at 25°C free-air temperature	
20-J Lead PLCC (PJ)	1000mW <sup>(2)</sup>
20-Lead SOW (WG)	1000mW <sup>(2)</sup>
Operating temperature range	-45°C +85°C

Stresses beyond those listed under "Absolute Maximum Ratings" may cause permanent damage to the device. These are stress ratings only, and functional operation of the device at these or any other conditions beyond those indicated in the operational sections of the specifications is not implied. Exposure to absolute maximum rating conditions for extended periods may affect device reliability.

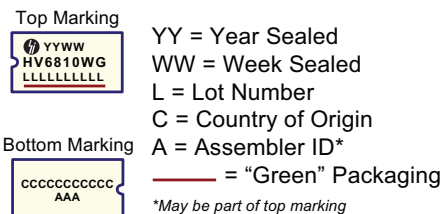
**Notes:**

- (1) All voltages are referenced to V<sub>SS</sub>.
- (2) For operation above 25°C ambient derate linearly to 85°C at 16.7mW/°C.

## Product Marking



### 20-J Lead PLCC (PJ)



### 20-Lead SOW (WG)

## Recommended Operating Conditions

Sym	Parameter	Min	Typ	Max	Units	Conditions
V <sub>DD</sub>	Supply voltage	4.5	-	5.5	V	---
V <sub>BB</sub>	Supply voltage	20	-	80	V	---
V <sub>SS</sub>	Supply voltage	-	0	-	V	---
V <sub>IH</sub>	High-level input voltage (for V <sub>DD</sub> = 5.0V)	3.5	-	5.3	V	---
V <sub>IL</sub>	Low-level input voltage	-0.3	-	0.8	V	---
I <sub>OH</sub>	Continuous high-level Q output current	-25	-	-	mA	---
f <sub>CLK</sub>	Clock frequency	-	-	5.0	MHz	---
T <sub>A</sub>	Operating ambient temperature	-40	-	+85	°C	---

## Power-Up / Power-Down Sequence

Step	Description
1	Connect ground V <sub>SS</sub>
2	Apply V <sub>DD</sub>
3	Set all inputs (Data, CLK, Enable, etc.) to a known state
4	Apply V <sub>BB</sub>
5	The V <sub>BB</sub> should not drop below V <sub>DD</sub> or float during operation.

Power-down sequence should be the reverse of the above.

## DC Electrical Characteristics

(V<sub>DD</sub> = 5V±10%, V<sub>BB</sub> = 60V, V<sub>SS</sub> = 0, T<sub>A</sub> = 25°C unless otherwise noted)

Sym	Parameter	Min	Typ	Max	Units	Conditions	
V <sub>OH</sub>	High level output voltage	Q outputs	57.5	58	-	V	I <sub>OH</sub> = 25mA
		Serial output	4.0	4.5	-		V <sub>DD</sub> = 4.5V, I <sub>OL</sub> = -100µA
V <sub>OL</sub>	Low level output voltage	Q outputs	-	0.15	1.0	V	I <sub>OH</sub> = 100µA, blanking input at V <sub>DD</sub>
		Serial output	-	0.05	0.1		V <sub>DD</sub> = 4.5V, I <sub>OL</sub> = 100µA
I <sub>OL</sub>	Low level Q output current (pull-down current)	60	80	-	µA	T <sub>A</sub> = Max, V <sub>OL</sub> = 0.7V	
I <sub>O(OFF)</sub>	Off-state output current	-	-1.0	-15	µA	V <sub>O</sub> = 0, Blanking input T <sub>A</sub> = Max at V <sub>DD</sub>	
I <sub>H</sub>	High level input current	-	-	1.0	µA	V <sub>I</sub> = V <sub>DD</sub>	
I <sub>DD</sub>	Supply current from V <sub>DD</sub> (standby)	-	10	50	µA	All inputs at 0V, one Q output high	
		-	10	50		All inputs at 0V, all Q outputs low	
I <sub>BB</sub>	Supply current from V <sub>BB</sub>	-	0.05	0.1	mA	All outputs low, all Q outputs open	
		-	0.05	0.1		All outputs high, all Q outputs open	

\* All typical values are at T<sub>A</sub> = 25°C except for I<sub>O</sub>.

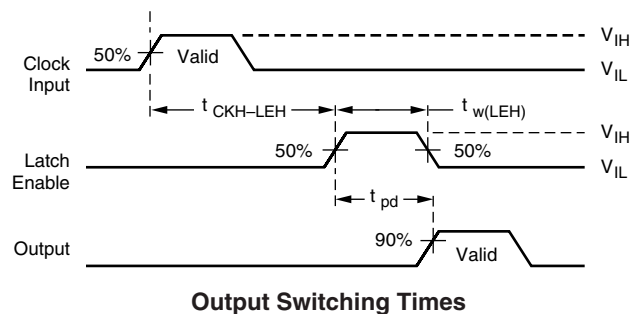
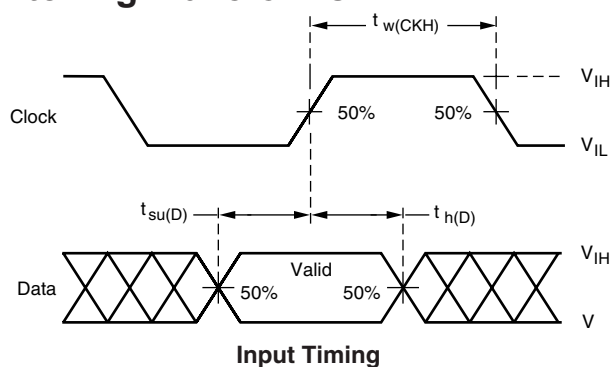
## AC Electrical Characteristics

(Timing requirements over recommended operating conditions)

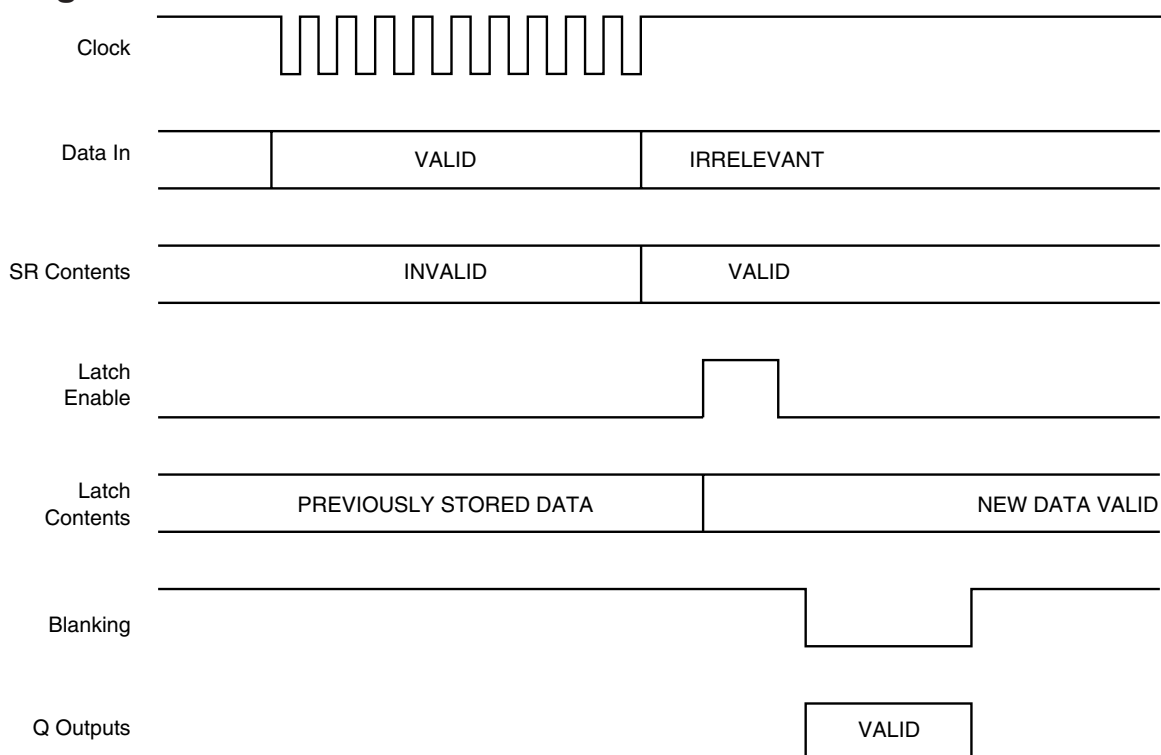
Sym	Parameter	Min	Typ	Max	Units	Conditions
$t_{W(CKH)}$	Pulse duration, clock high	100	-	-	ns	---
$t_{W(LEH)}$	Pulse duration, latch enable high	100	-	-	ns	---
$t_{SU(D)}$	Setup time, data before clock	50	-	-	ns	---
$t_{H(D)}$	Hold time, data after clock	50	-	-	ns	---
$t_{CKH-LEH}$	Delay time, clock to latch enable high	50	-	-	ns	---
$t_{PD}^*$	Propagation delay time, latch enable to output	-	0.3	-	ns	---

\* Switching characteristics,  $V_{BB} = 60V$ ,  $T_A = 25^\circ C$

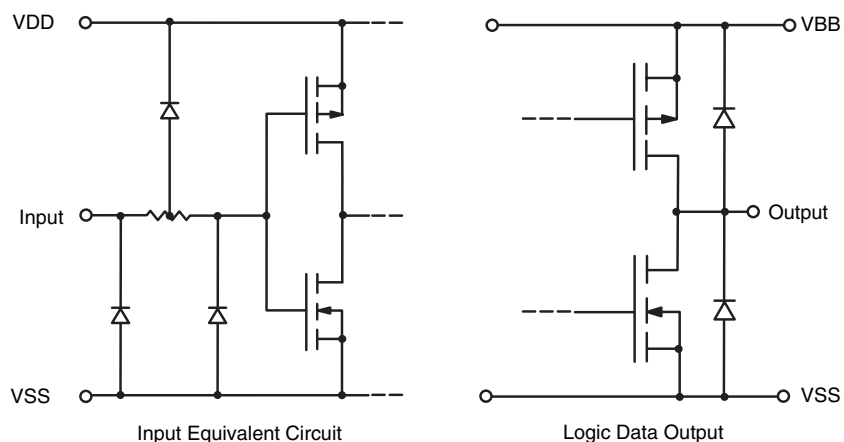
## Switching Waveforms



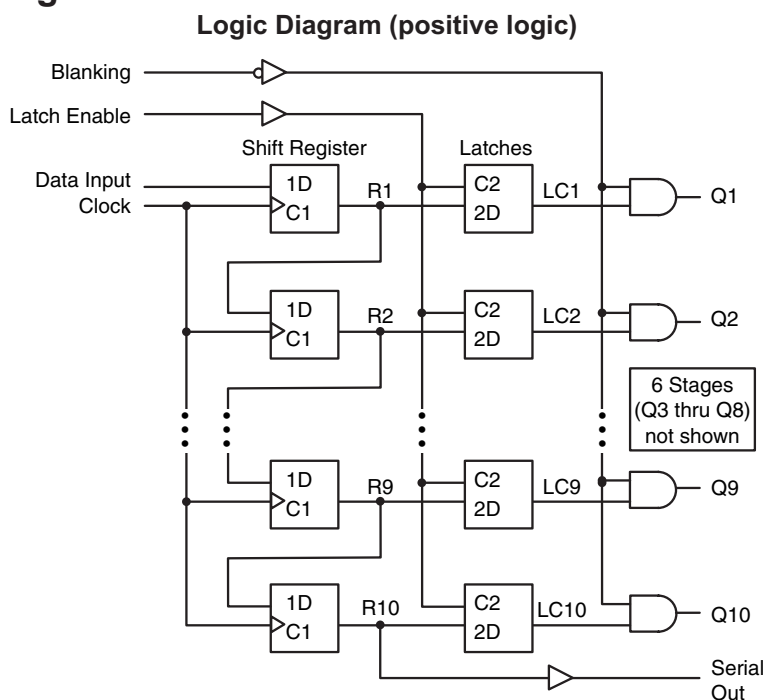
## Timing Diagram



## Input and Output Equivalent Circuits



## Functional Block Diagram



## Function Table

Serial Data Input	Clock Input	Shift Register Contents						Serial Data Output	Strobe Input	Latch Contents						Blanking Input	Output Contents					
		$I_1$	$I_2$	$I_3$	...	$I_{N-1}$	$I_N$			$I_1$	$I_2$	$I_3$	...	$I_{N-1}$	$I_N$		$I_1$	$I_2$	$I_3$	...	$I_{N-1}$	$I_N$
H		H	$R_1$	$R_2$	...	$R_{N-2}$	$R_{N-1}$	$R_{N-1}$	---	---						---	---					
L		L	$R_1$	$R_2$	...	$R_{N-2}$	$R_{N-1}$	$R_{N-1}$		---												
X		$R_1$	$R_2$	$R_3$	...	$R_{N-1}$	$R_N$	$R_N$		---												
---	---	X	X	X	...	X	X	X	L	$R_1$	$R_2$	$R_3$	...	$R_{N-1}$	$R_N$	L	$P_1$	$P_2$	$P_3$	...	$P_{N-1}$	$P_N$
		---						$P_1$	$P_2$	$P_3$	...	$P_{N-1}$	$P_N$	H	L		L	...	L	L		
		---						---						---								

## Pin Descriptions

## HV6810 20-J Lead PLCC (PJ)

Pin	Function	Description
1	Q8	High voltage output.
2	Q7	
3	Q6	
4	CLOCK	Input data are shifted into the data shift register on the thepositive edge of the clock.
5	N/C	No connection.
6	VSS	Usually $V_{SS} = 0$ , ground connection.
7	VDD	Low voltage power supply.
8	LE (STROBE)	When LE is high, data is transferred from data shift register to the Q output latch. When LE is low, data is latched into data latches and new data can be clocked into the shift register.
9	Q5	High voltage output.
10	Q4	
11	Q3	
12	Q2	
13	Q1	
14	BLANKING	When blanking is low, all Q's are forced to a high state, regardless of data in each channel. When OL is low, all Q's are forced to a low state, regardless of data in each channel.
15	DATA IN	Input data for the input shift register.
16	N/C	No connection.
17	VBB	High voltage power supply.
18	SERIAL DATA OUT	Output data from the shift register.
19	Q10	High voltage output.
20	Q9	

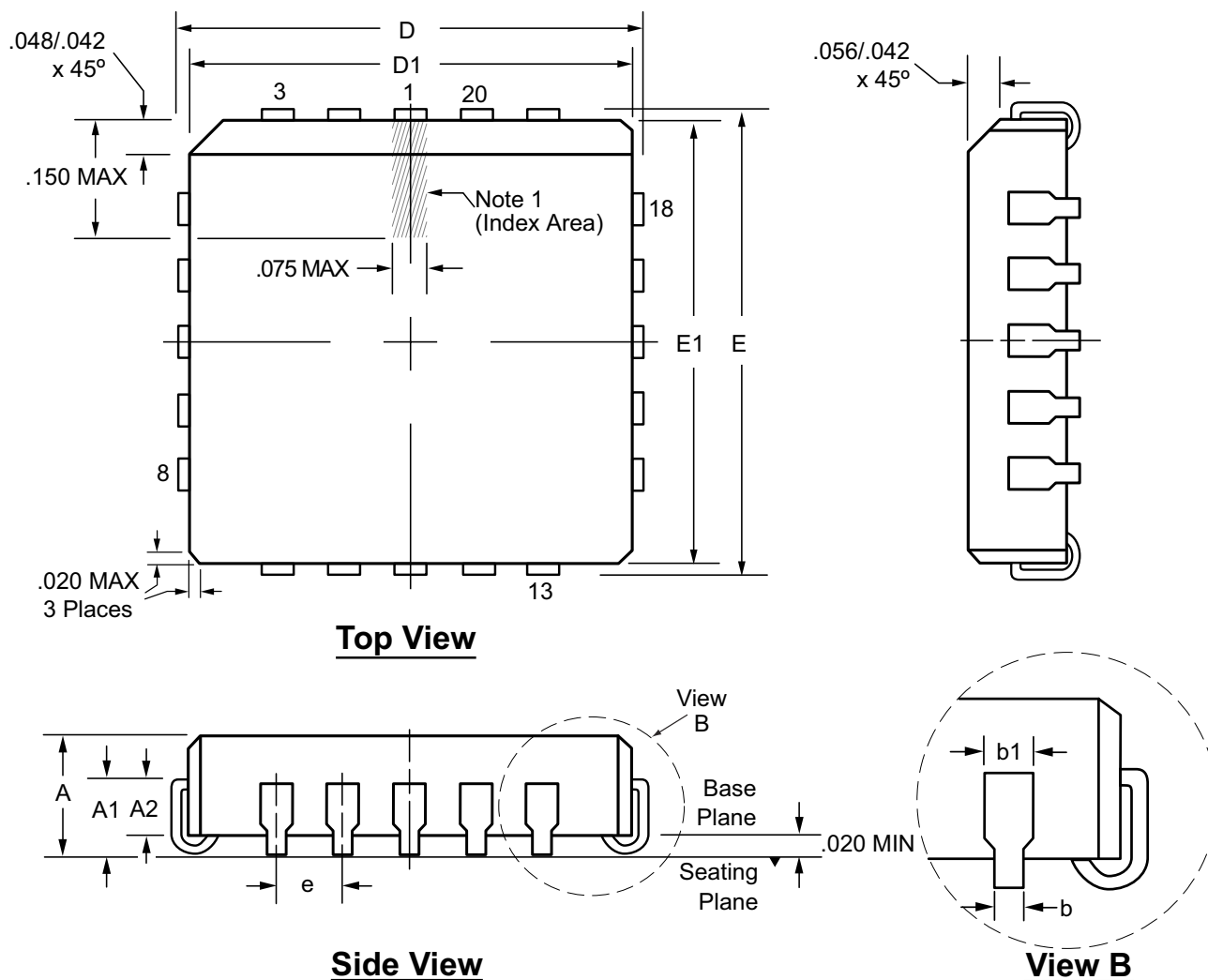
## Pin Descriptions

## HV6810 20-Lead SOW (WG)

Pin	Function	
1	Q8	High voltage output.
2	Q7	
3	Q6	
4	CLOCK	Input data are shifted into the data shift register on the thepositive edge of the clock.
5	VSS	Usually $V_{SS} = 0$ , ground connection.
6	N/C	No connection.
7	VDD	Low voltage power supply.
8	LE (STROBE)	When LE is high, data is transferred from data shift register to the Q output latch. When LE is low, data is latched into data latches and new data can be clocked into the shift register
9	Q5	High voltage output.
10	Q4	
11	Q3	
12	Q2	
13	Q1	
14	BLANKING	When blanking is low, all Q's are forced to a high state, regardless of data in each channel. When OL is low, all Q's are forced to a low state, regardless of data in each channel.
15	DATA IN	Input data for the input shift register.
16	VBB	High voltage power supply.
17	SERIAL DATA OUT	Output data from the shift register.
18	N/C	No connection.
19	Q10	High voltage output.
20	Q9	

# 20-J Lead PLCC Package Outline (PJ)

**.353x.353in body, .180in height (max.), .050in pitch**



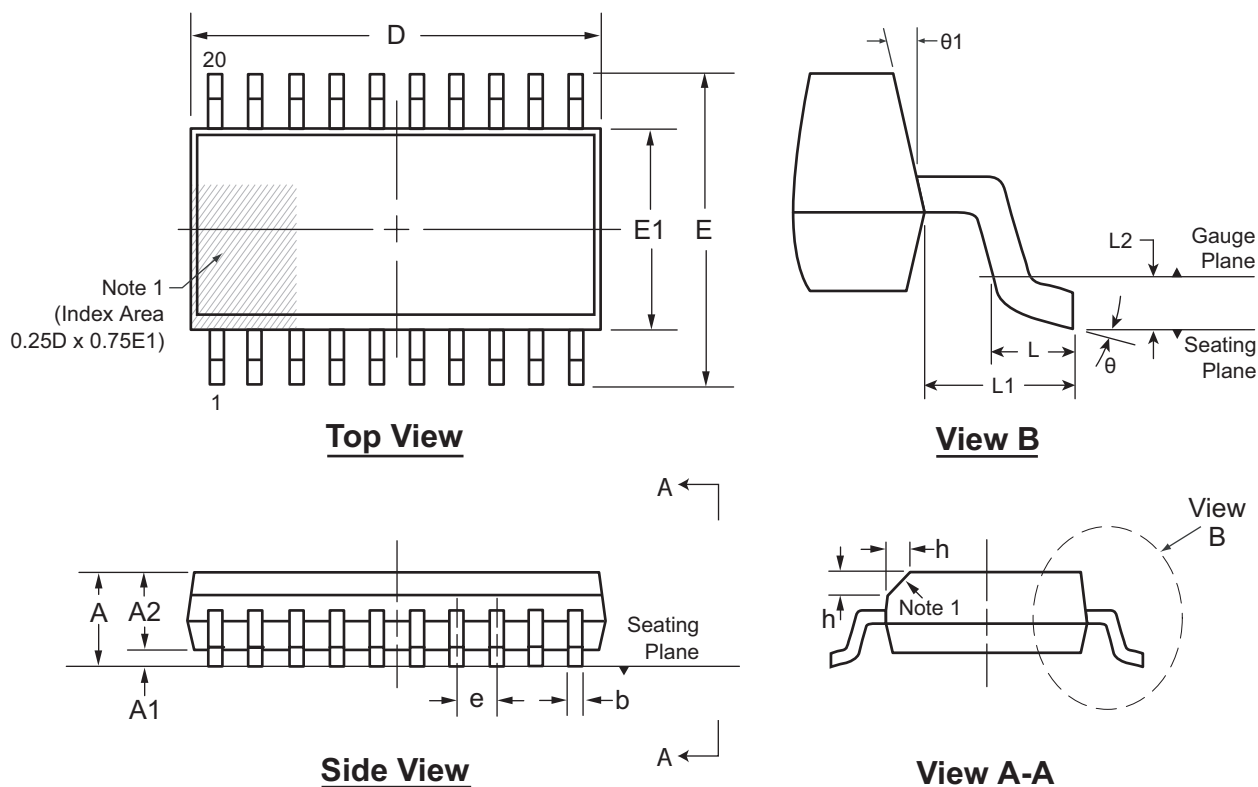
**Note 1:**  
 A Pin 1 identifier must be located in the index area indicated. The Pin 1 identifier may be either a mold, or an embedded metal or marked feature.

Symbol		A	A1	A2	b	b1	D	D1	E	E1	e
Dimension (inches)	MIN	.165	.090	.062	.013	.026	.385	.350	.385	.350	.050 BSC
	NOM	.172	.105	-	-	-	.390	.353	.390	.353	
	MAX	.180	.120	.083	.021	.032	.395	.356	.395	.356	

JEDEC Registration MS-018, Variation AA, Issue A, June, 1993.  
 Drawings not to scale.

# 20-Lead SOW (Wide Body) Package Outline (WG)

12.80x7.50mm body, 2.65mm height (max), 1.27mm pitch



**Note 1:**

This chamfer feature is optional. If it is not present, then a Pin 1 identifier must be located in the index area indicated. The Pin 1 identifier may be either a mold, or an embedded metal or marked feature.

Symbol	A	A1	A2	b	D	E	E1	e	h	L	L1	L2	θ	θ1	
Dimension (mm)	MIN	2.15	0.10	2.05	0.31	12.60	9.97	7.40	1.27 BSC	0.25	1.40 REF	0.25 BSC	0°	5°	
	NOM	-	-	-	-	12.80	10.30	7.50		-			-	-	-
	MAX	2.65	0.30	2.55	0.51	13.00	10.63	7.60		0.75			1.27	8°	15°

JEDEC Registration MS-013, Variation AC, Issue E, Sep. 2005.

Drawings not to scale.

(The package drawings in this data sheet may not reflect the most current specifications. For the latest package outline information go to <http://www.supertex.com/packaging.html>.)

**Supertex inc.** does not recommend the use of its products in life support applications, and will not knowingly sell its products for use in such applications, unless it receives an adequate "product liability indemnification insurance agreement". **Supertex** does not assume responsibility for use of devices described and limits its liability to the replacement of the devices determined defective due to workmanship. No responsibility is assumed for possible omissions or inaccuracies. Circuitry and specifications are subject to change without notice. For the latest product specifications, refer to the **Supertex** website: <http://www.supertex.com>.

©2007 **Supertex inc.** All rights reserved. Unauthorized use or reproduction is prohibited.

**Supertex inc.**

1235 Bordeaux Drive, Sunnyvale, CA 94089  
TEL: (408) 222-8888 / FAX: (408) 222-4895

[www.supertex.com](http://www.supertex.com)





**Стандарт  
Электрон  
Связь**

Мы молодая и активно развивающаяся компания в области поставок электронных компонентов. Мы поставляем электронные компоненты отечественного и импортного производства напрямую от производителей и с крупнейших складов мира.

Благодаря сотрудничеству с мировыми поставщиками мы осуществляем комплексные и плановые поставки широчайшего спектра электронных компонентов.

Собственная эффективная логистика и склад в обеспечивает надежную поставку продукции в точно указанные сроки по всей России.

Мы осуществляем техническую поддержку нашим клиентам и предпродажную проверку качества продукции. На все поставляемые продукты мы предоставляем гарантию .

Осуществляем поставки продукции под контролем ВП МО РФ на предприятия военно-промышленного комплекса России , а также работаем в рамках 275 ФЗ с открытием отдельных счетов в уполномоченном банке. Система менеджмента качества компании соответствует требованиям ГОСТ ISO 9001.

Минимальные сроки поставки, гибкие цены, неограниченный ассортимент и индивидуальный подход к клиентам являются основой для выстраивания долгосрочного и эффективного сотрудничества с предприятиями радиоэлектронной промышленности, предприятиями ВПК и научно-исследовательскими институтами России.

С нами вы становитесь еще успешнее!

**Наши контакты:**

**Телефон:** +7 812 627 14 35

**Электронная почта:** [sales@st-electron.ru](mailto:sales@st-electron.ru)

**Адрес:** 198099, Санкт-Петербург,  
Промышленная ул, дом № 19, литера Н,  
помещение 100-Н Офис 331