

## 3.3-V CAN TRANSCEIVERS

### FEATURES

- Bus-Pin Fault Protection Exceeds  $\pm 36$  V
- Bus-Pin ESD Protection Exceeds 16-kV HBM
- GIFT/ICT Compliant (SN65HVD234)
- Compatible With ISO 11898
- Signaling Rates<sup>(1)</sup> up to 1 Mbps
- Extended  $-7$ -V to 12-V Common-Mode Range
- High-Input Impedance Allows for 120 Nodes
- LVTTTL I/Os Are 5-V Tolerant
- Adjustable Driver Transition Times for Improved Signal Quality
- Unpowered Node Does Not Disturb the Bus
- Low-Current Standby Mode . . . 200- $\mu$ A Typical
- Low-Current Sleep Mode . . . 50-nA Typical (SN65HVD234)
- Thermal Shutdown Protection
- Power-Up/Down Glitch-Free Bus Inputs and Outputs
  - High Input Impedance With Low  $V_{CC}$
  - Monolithic Output During Power Cycling
- Loopback for Diagnostic Functions Available (SN65HVD233)
- Loopback for Autobaud Function Available (SN65HVD235)
- DeviceNet Vendor ID #806

<sup>(1)</sup> The signaling rate of a line is the number of voltage transitions that are made per second expressed in the units bps (bits per second).

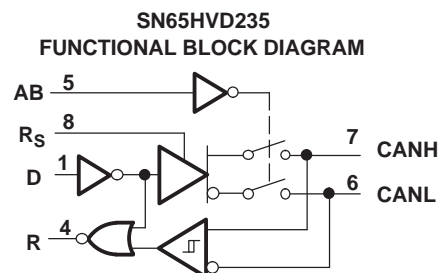
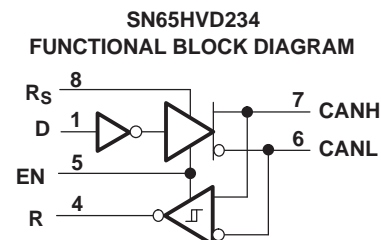
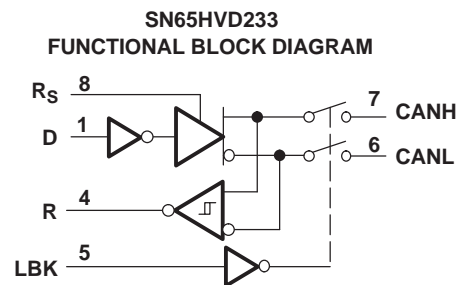
### APPLICATIONS

- CAN Data Bus
- Industrial Automation
  - DeviceNet™ Data Buses
  - Smart Distributed Systems (SDS™)
- SAE J1939 Standard Data Bus Interface
- NMEA 2000 Standard Data Bus Interface
- ISO 11783 Standard Data Bus Interface

### DESCRIPTION

The SN65HVD233, SN65HVD234, and SN65HVD235 are used in applications employing the controller area network (CAN) serial communication physical layer in accordance with the ISO 11898 standard. As a CAN transceiver, each provides transmit and receive capability between the differential CAN bus and a CAN controller, with signaling rates up to 1 Mbps.

Designed for operation in especially harsh environments, the devices feature cross-wire, overvoltage and loss of ground protection to  $\pm 36$  V, with overtemperature protection and common-mode transient protection of  $\pm 100$  V. These devices operate over a  $-7$ -V to 12-V common-mode range with a maximum of 60 nodes on a bus.



Please be aware that an important notice concerning availability, standard warranty, and use in critical applications of Texas Instruments semiconductor products and disclaimers thereto appears at the end of this data sheet.

DeviceNet is a trademark of Open DeviceNet Vendor Association.



These devices have limited built-in ESD protection. The leads should be shorted together or the device placed in conductive foam during storage or handling to prevent electrostatic damage to the MOS gates.

## DESCRIPTION (CONTINUED)

If the common-mode range is restricted to the ISO-11898 Standard range of  $-2\text{ V}$  to  $7\text{ V}$ , up to 120 nodes may be connected on a bus. These transceivers interface the single-ended CAN controller with the differential CAN bus found in industrial, building automation, and automotive applications.

The  $R_S$ , pin 8 of the SN65HVD233, SN65HVD234, and SN65HVD235 provides for three modes of operation: high-speed, slope control, or low-power standby mode. The high-speed mode of operation is selected by connecting pin 8 directly to ground, allowing the driver output transistors to switch on and off as fast as possible with no limitation on the rise and fall slope. The rise and fall slope can be adjusted by connecting a resistor to ground at pin 8, since the slope is proportional to the pin's output current. Slope control is implemented with a resistor value of  $10\text{ k}\Omega$  to achieve a slew rate of  $915\text{ V}/\mu\text{s}$  and a value of  $100\text{ k}\Omega$  to achieve  $92.0\text{ V}/\mu\text{s}$  slew rate. For more information about slope control, refer to the application information section.

The SN65HVD233, SN65HVD234, and SN65HVD235 enter a low-current standby mode during which the driver is switched off and the receiver remains active if a high logic level is applied to pin 8. The local protocol controller reverses this low-current standby mode when it needs to transmit to the bus.

A logic high on the loopback LBK pin 5 of the SN65HVD233 places the bus output and bus input in a high-impedance state. The remaining circuit remains active and available for driver to receiver loopback, self-diagnostic node functions without disturbing the bus.

The SN65HVD234 enters an ultralow-current sleep mode in which both the driver and receiver circuits are deactivated if a low logic level is applied to EN pin 5. The device remains in this sleep mode until the circuit is reactivated by applying a high logic level to pin 5.

The AB pin 5 of the SN65HVD235 implements a bus listen-only loopback feature which allows the local node controller to synchronize its baud rate with that of the CAN bus. In autobaud mode, the driver's bus output is placed in a high-impedance state while the receiver's bus input remains active. For more information on the autobaud mode, refer to the application information section.

### AVAILABLE OPTIONS<sup>(1)</sup>

PART NUMBER	LOW POWER MODE	SLOPE CONTROL	DIAGNOSTIC LOOPBACK	AUTOBAUD LOOPBACK
SN65HVD233D	200- $\mu\text{A}$ standby mode	Adjustable	Yes	No
SN65HVD234D	200- $\mu\text{A}$ standby mode or 50-nA sleep mode	Adjustable	No	No
SN65HVD235D	200- $\mu\text{A}$ standby mode	Adjustable	No	Yes

(1) For the most current package and ordering information, see the Package Option Addendum at the end of this document, or see the TI web site at [www.ti.com](http://www.ti.com).

### ORDERING INFORMATION

PACKAGE (D)	Marked as
SN65HVD233D	VP233
SN65HVD233DR <sup>(1)</sup>	
SN65HVD234D	VP234
SN65HVD234DR <sup>(1)</sup>	
SN65HVD235D	VP235
SN65HVD235DR <sup>(1)</sup>	

(1) R suffix indicates tape and reel.

## POWER DISSIPATION RATINGS

PACKAGE	CIRCUIT BOARD	$T_A \leq 25^\circ\text{C}$ POWER RATING	DERATING FACTOR <sup>(1)</sup> ABOVE $T_A = 25^\circ\text{C}$	$T_A = 85^\circ\text{C}$ POWER RATING	$T_A = 125^\circ\text{C}$ POWER RATING
D	Low-K	596.6 mW	5.7 mW/°C	255.7 mW	28.4 mW
D	High-K	1076.9 mW	10.3 mW/°C	461.5 mW	51.3 mW

(1) This is the inverse of the junction-to-ambient thermal resistance when board-mounted and with no air flow.

## ABSOLUTE MAXIMUM RATINGS<sup>(1) (2)</sup>

over operating free-air temperature range unless otherwise noted

		Value	UNIT		
$V_{CC}$	Supply voltage range	–0.3 to 7	V		
	Voltage range at any bus terminal (CANH or CANL)	–36 to 36	V		
	Voltage input range, transient pulse, CANH and CANL, through 100 $\Omega$ (see Figure 7)	–100 to 100	V		
$V_I$	Input voltage range, (D, R, $R_S$ , EN, LBK, AB)	–0.5 to 7	V		
$I_O$	Receiver output current	–10 to 10	mA		
	Electrostatic discharge	Human Body Model <sup>(3)</sup>	CANH, CANL and GND	16	kV
	Electrostatic discharge	Human Body Model <sup>(3)</sup>	All pins	3	kV
		Charged-Device Mode <sup>(4)</sup>	All pins	1	kV
	Continuous total power dissipation	See Dissipation Rating Table			
$T_J$	Operating junction temperature	150	°C		

(1) Stresses beyond those listed under *absolute maximum ratings* may cause permanent damage to the device. These are stress ratings only, and functional operation of the device at these or any other conditions beyond those indicated under *recommended operating conditions* is not implied. Exposure to absolute-maximum-rated conditions for extended periods may affect device reliability.

(2) All voltage values, except differential I/O bus voltages, are with respect to network ground terminal.

(3) Tested in accordance with JEDEC Standard 22, Test Method A114-A.

(4) Tested in accordance with JEDEC Standard 22, Test Method C101.

## RECOMMENDED OPERATING CONDITIONS

		MIN	TYP	MAX	UNIT	
$V_{CC}$	Supply voltage	3		3.6	V	
	Voltage at any bus terminal (separately or common mode)	–7		12		
$V_{IH}$	High-level input voltage		2	5.5	V	
$V_{IL}$	Low-level input voltage		0	0.8		
$V_{ID}$	Differential input voltage		–6	6		
	Resistance from $R_S$ to ground		0	100	k $\Omega$	
$V_{I(RS)}$	Input Voltage at $R_S$ for standby	0.75 $V_{CC}$		5.5	V	
$I_{OH}$	High-level output current	Driver		–50	mA	
		Receiver		–10		
$I_{OL}$	Low-level output current	Driver		50	mA	
		Receiver		10		
$T_J$	Operating junction temperature			150	°C	
$T_A$	Operating free-air temperature <sup>(1)</sup>			–40	125	°C

(1) Maximum free-air temperature operation is allowed as long as the device maximum junction temperature is not exceeded.

## DRIVER ELECTRICAL CHARACTERISTICS

over operating free-air temperature range (unless otherwise noted)

PARAMETER		TEST CONDITIONS	MIN	TYP <sup>(1)</sup>	MAX	UNIT	
V <sub>O(D)</sub>	Bus output voltage (Dominant)	CANH	D at 0 V, R <sub>S</sub> at 0 V, See <a href="#">Figure 1</a> and <a href="#">Figure 2</a>	2.45	V <sub>CC</sub>	V	
		CANL		0.5	1.25		
V <sub>O</sub>	Bus output voltage (Recessive)	CANH	D at 3 V, R <sub>S</sub> at 0 V, See <a href="#">Figure 1</a> and <a href="#">Figure 2</a>	2.3		V	
		CANL		2.3			
V <sub>OD(D)</sub>	Differential output voltage (Dominant)	D at 0 V, R <sub>S</sub> at 0 V, See <a href="#">Figure 1</a> and <a href="#">Figure 2</a>	1.5	2	3	V	
		D at 0 V, R <sub>S</sub> at 0 V, See <a href="#">Figure 2</a> and <a href="#">Figure 3</a>	1.2	2	3		
V <sub>OD</sub>	Differential output voltage (Recessive)	D at 3 V, R <sub>S</sub> at 0 V, See <a href="#">Figure 1</a> and <a href="#">Figure 2</a>	-120		12	mV	
		D at 3 V, R <sub>S</sub> at 0 V, No Load	-0.5		0.05	V	
V <sub>OC(pp)</sub>	Peak-to-peak common-mode output voltage	See <a href="#">Figure 10</a>		1		V	
I <sub>IH</sub>	High-level input current	D, EN, LBK, AB D at 2 V	-30		30	μA	
I <sub>IL</sub>	Low-level input current	D, EN, LBK, AB D at 0.8 V	-30		30	μA	
I <sub>OS</sub>	Short-circuit output current	V <sub>CANH</sub> = -7 V, CANL Open, See <a href="#">Figure 15</a>	-250			mA	
		V <sub>CANH</sub> = 12 V, CANL Open, See <a href="#">Figure 15</a>			1		
		V <sub>CANL</sub> = -7 V, CANH Open, See <a href="#">Figure 15</a>	-1				
		V <sub>CANL</sub> = 12 V, CANH Open, See <a href="#">Figure 15</a>			250		
C <sub>O</sub>	Output capacitance	See receiver input capacitance					
I <sub>I<sub>RS</sub>(s)</sub>	R <sub>S</sub> input current for standby	R <sub>S</sub> at 0.75 V <sub>CC</sub>	-10			μA	
I <sub>CC</sub>	Supply current	Sleep	EN at 0 V, D at V <sub>CC</sub> , R <sub>S</sub> at 0 V or V <sub>CC</sub>	0.05	2	μA	
		Standby	R <sub>S</sub> at V <sub>CC</sub> , D at V <sub>CC</sub> , AB at 0 V, LBK at 0 V, EN at V <sub>CC</sub>	200	600		
		Dominant	D at 0 V, No Load, AB at 0 V, LBK at 0 V, R <sub>S</sub> at 0 V, EN at V <sub>CC</sub>			6	mA
		Recessive	D at V <sub>CC</sub> , No Load, AB at 0 V, LBK at 0 V, R <sub>S</sub> at 0 V, EN at V <sub>CC</sub>			6	

(1) All typical values are at 25°C and with a 3.3 V supply.

## DRIVER SWITCHING CHARACTERISTICS

over operating free-air temperature range (unless otherwise noted)

PARAMETER		TEST CONDITIONS	MIN	TYP <sup>(1)</sup>	MAX	UNIT
$t_{PLH}$	Propagation delay time, low-to-high-level output	$R_S$ at 0 V, See <a href="#">Figure 4</a>		35	85	ns
		$R_S$ with 10 k $\Omega$ to ground, See <a href="#">Figure 4</a>		70	125	
		$R_S$ with 100 k $\Omega$ to ground, See <a href="#">Figure 4</a>		500	870	
$t_{PHL}$	Propagation delay time, high-to-low-level output	$R_S$ at 0 V, See <a href="#">Figure 4</a>		70	120	ns
		$R_S$ with 10 k $\Omega$ to ground, See <a href="#">Figure 4</a>		130	180	
		$R_S$ with 100 k $\Omega$ to ground, See <a href="#">Figure 4</a>		870	1200	
$t_{sk(p)}$	Pulse skew ( $t_{PHL} - t_{PLH}$ )	$R_S$ at 0 V, See <a href="#">Figure 4</a>		35		ns
		$R_S$ with 10 k $\Omega$ to ground, See <a href="#">Figure 4</a>		60		
		$R_S$ with 100 k $\Omega$ to ground, See <a href="#">Figure 4</a>		370		
$t_r$	Differential output signal rise time	$R_S$ at 0 V, See <a href="#">Figure 4</a>	20		70	ns
$t_f$	Differential output signal fall time		20		70	
$t_r$	Differential output signal rise time	$R_S$ with 10 k $\Omega$ to ground, See <a href="#">Figure 4</a>	30		135	ns
$t_f$	Differential output signal fall time		30		135	
$t_r$	Differential output signal rise time	$R_S$ with 100 k $\Omega$ to ground, See <a href="#">Figure 4</a>	350		1400	ns
$t_f$	Differential output signal fall time		350		1400	
$t_{en(s)}$	Enable time from standby to dominant	See <a href="#">Figure 8</a> and <a href="#">Figure 9</a>		0.6	1.5	$\mu$ s
$t_{en(z)}$	Enable time from sleep to dominant			1	5	

(1) All typical values are at 25°C and with a 3.3 V supply.

## RECEIVER ELECTRICAL CHARACTERISTICS

over operating free-air temperature range (unless otherwise noted)

PARAMETER		TEST CONDITIONS	MIN	TYP <sup>(1)</sup>	MAX	UNIT	
$V_{IT+}$	Positive-going input threshold voltage	AB at 0 V, LBK at 0 V, EN at $V_{CC}$ , See <a href="#">Table 1</a>		750	900	mV	
$V_{IT-}$	Negative-going input threshold voltage			500	650		
$V_{hys}$	Hysteresis voltage ( $V_{IT+} - V_{IT-}$ )			100			
$V_{OH}$	High-level output voltage	$I_O = -4$ mA, See <a href="#">Figure 6</a>		2.4		V	
$V_{OL}$	Low-level output voltage	$I_O = 4$ mA, See <a href="#">Figure 6</a>			0.4		
$I_I$	Bus input current	CANH or CANL at 12 V		150	500	$\mu$ A	
		CANH or CANL at 12 V, $V_{CC}$ at 0 V	Other bus pin at 0 V, D at 3 V, AB at 0 V, LBK at 0 V, $R_S$ at 0 V, EN at $V_{CC}$	200	600		
		CANH or CANL at -7 V		-610	-150		
		CANH or CANL at -7 V, $V_{CC}$ at 0 V		-450	-130		
$C_I$	Input capacitance (CANH or CANL)	Pin-to-ground, $V_I = 0.4 \sin(4E6\pi t) + 0.5V$ , D at 3 V, AB at 0 V, LBK at 0 V, EN at $V_{CC}$		40		pF	
$C_{ID}$	Differential input capacitance	Pin-to-pin, $V_I = 0.4 \sin(4E6\pi t) + 0.5V$ , D at 3 V, AB at 0 V, LBK at 0 V, EN at $V_{CC}$		20			
$R_{ID}$	Differential input resistance	D at 3 V, AB at 0 V, LBK at 0 V, EN at $V_{CC}$		40	100	k $\Omega$	
$R_{IN}$	Input resistance (CANH or CANL)			20	50		
$I_{CC}$	Supply current	Sleep	EN at 0 V, D at $V_{CC}$ , $R_S$ at 0 V or $V_{CC}$	0.05	2	$\mu$ A	
		Standby	$R_S$ at $V_{CC}$ , D at $V_{CC}$ , AB at 0 V, LBK at 0 V, EN at $V_{CC}$	200	600		
		Dominant	D at 0 V, No Load, $R_S$ at 0 V, LBK at 0 V, AB at 0 V, EN at $V_{CC}$			6	mA
		Recessive	D at $V_{CC}$ , No Load, $R_S$ at 0 V, LBK at 0 V, AB at 0 V, EN at $V_{CC}$			6	

(1) All typical values are at 25°C and with a 3.3 V supply.

## RECEIVER SWITCHING CHARACTERISTICS

over operating free-air temperature range (unless otherwise noted)

PARAMETER		TEST CONDITIONS	MIN	TYP <sup>(1)</sup>	MAX	UNIT
$t_{PLH}$	Propagation delay time, low-to-high-level output	See <a href="#">Figure 6</a>		35	60	ns
$t_{PHL}$	Propagation delay time, high-to-low-level output			35	60	
$t_{sk(p)}$	Pulse skew ( $ t_{PHL} - t_{PLH} $ )			7		
$t_r$	Output signal rise time			2	5	
$t_f$	Output signal fall time			2	5	

(1) All typical values are at 25°C and with a 3.3 V supply.

## DEVICE SWITCHING CHARACTERISTICS

over operating free-air temperature range (unless otherwise noted)

PARAMETER		TEST CONDITIONS	MIN	TYP <sup>(1)</sup>	MAX	UNIT
$t_{(LBK)}$	Loopback delay, driver input to receiver output	HVD233 See <a href="#">Figure 12</a>		7.5	12	ns
$t_{(AB1)}$	Loopback delay, driver input to receiver output	HVD235 See <a href="#">Figure 13</a>		10	20	ns
$t_{(AB2)}$	Loopback delay, bus input to receiver output		See <a href="#">Figure 14</a>		35	60
$t_{(loop1)}$	Total loop delay, driver input to receiver output, recessive to dominant	$R_S$ at 0 V, See <a href="#">Figure 11</a>		70	135	ns
		$R_S$ with 10 k $\Omega$ to ground, See <a href="#">Figure 11</a>		105	190	
		$R_S$ with 100 k $\Omega$ to ground, See <a href="#">Figure 11</a>		535	1000	
$t_{(loop2)}$	Total loop delay, driver input to receiver output, dominant to recessive	$R_S$ at 0 V, See <a href="#">Figure 11</a>		70	135	ns
		$R_S$ with 10 k $\Omega$ to ground, See <a href="#">Figure 11</a>		105	190	
		$R_S$ with 100 k $\Omega$ to ground, See <a href="#">Figure 11</a>		535	1000	

(1) All typical values are at 25°C and with a 3.3 V supply.

PARAMETER MEASUREMENT INFORMATION

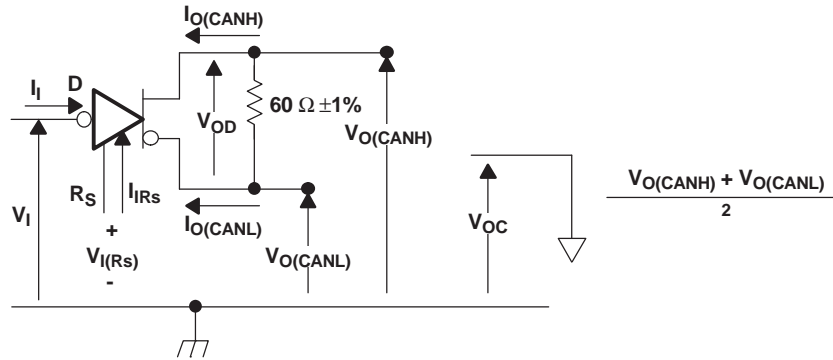


Figure 1. Driver Voltage, Current, and Test Definition

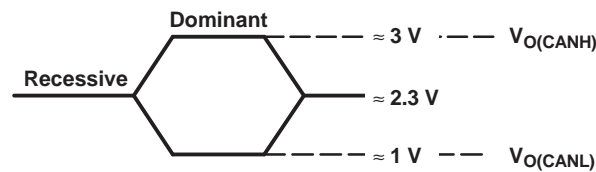


Figure 2. Bus Logic State Voltage Definitions

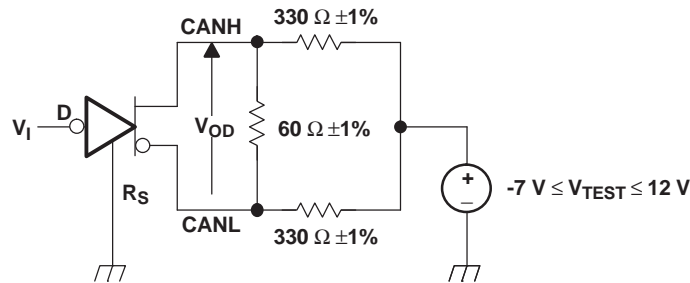
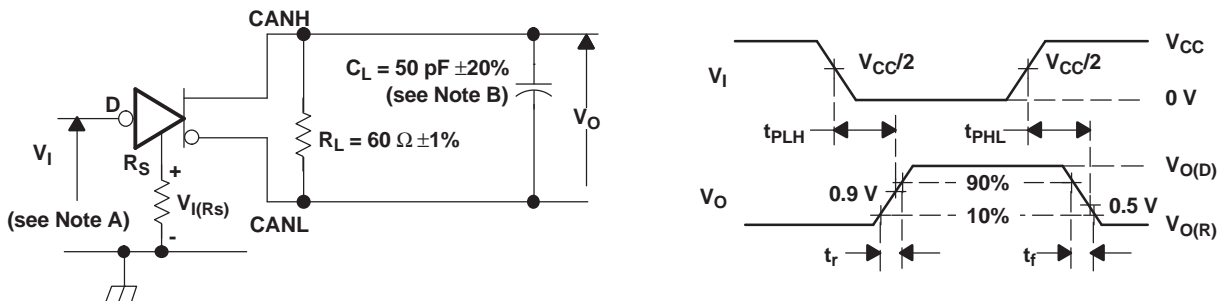


Figure 3. Driver V<sub>OD</sub>



- A. The input pulse is supplied by a generator having the following characteristics: Pulse repetition rate (PRR) ≤ 125 kHz, 50% duty cycle,  $t_r \leq 6$  ns,  $t_f \leq 6$  ns,  $Z_O = 50 \Omega$ .
- B.  $C_L$  includes fixture and instrumentation capacitance.

Figure 4. Driver Test Circuit and Voltage Waveforms



PARAMETER MEASUREMENT INFORMATION (continued)

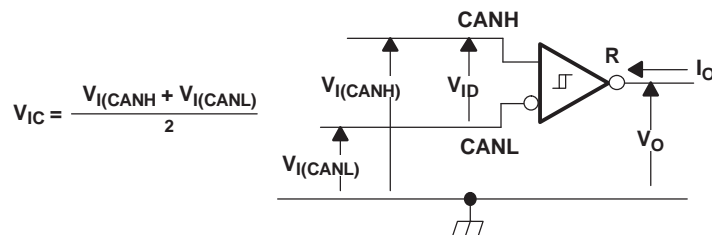
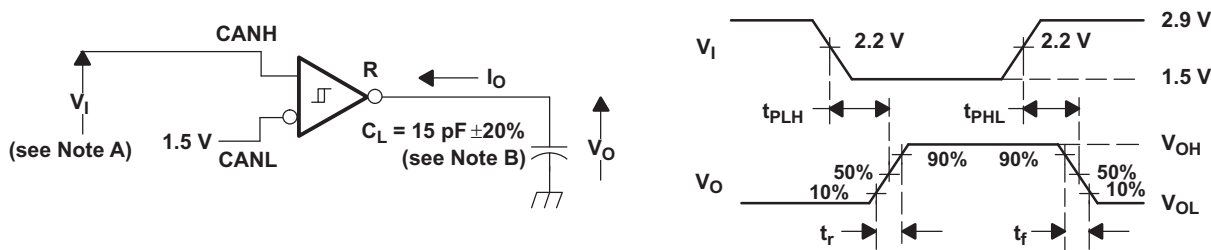


Figure 5. Receiver Voltage and Current Definitions

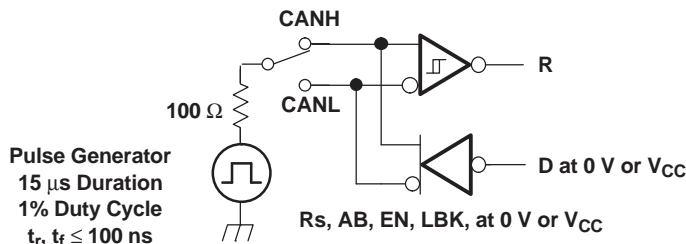


- A. The input pulse is supplied by a generator having the following characteristics: Pulse repetition rate (PRR) ≤ 125 kHz, 50% duty cycle,  $t_r \leq 6$  ns,  $t_f \leq 6$  ns,  $Z_O = 50 \Omega$ .
- B.  $C_L$  includes fixture and instrumentation capacitance.

Figure 6. Receiver Test Circuit and Voltage Waveforms

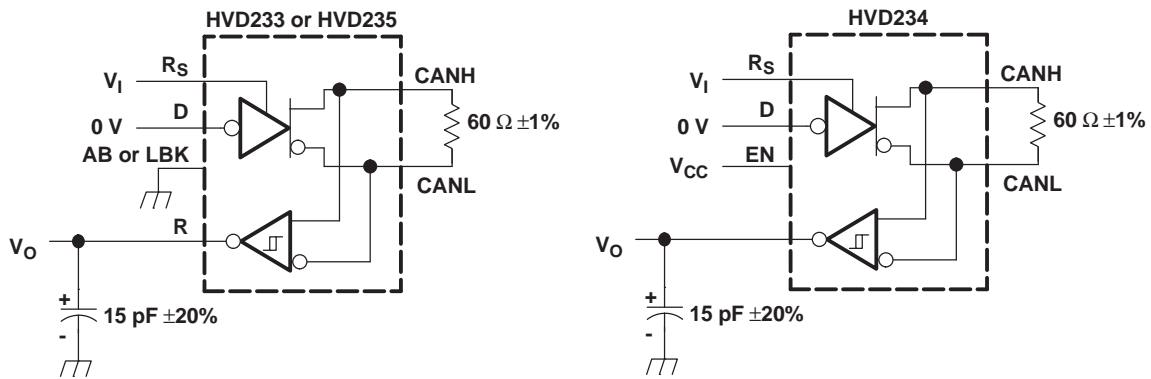
Table 1. Differential Input Voltage Threshold Test

INPUT		OUTPUT		MEASURED
$V_{CANH}$	$V_{CANL}$	R		$ V_{ID} $
-6.1 V	-7 V	L	$V_{OL}$	900 mV
12 V	11.1 V	L		900 mV
-1 V	-7 V	L		6 V
12 V	6 V	L		6 V
-6.5 V	-7 V	H	$V_{OH}$	500 mV
12 V	11.5 V	H		500 mV
-7 V	-1 V	H		6 V
6 V	12 V	H		6 V
Open	Open	H		X



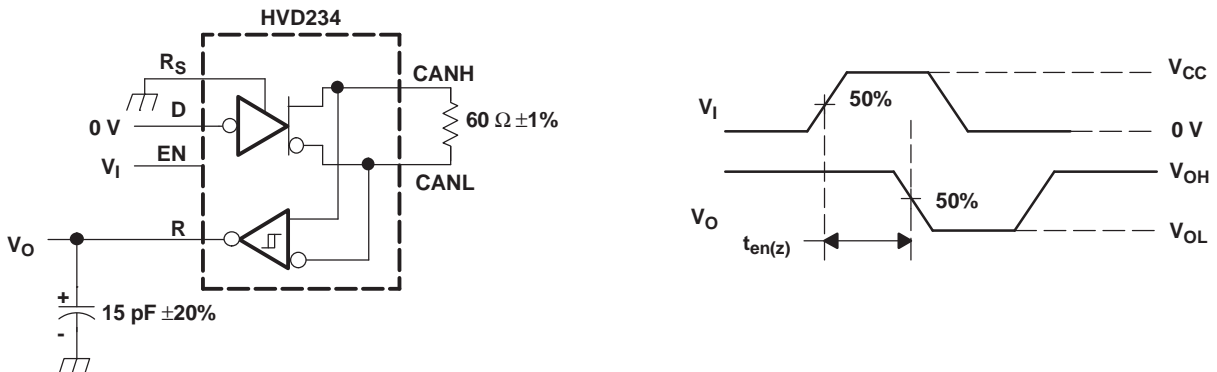
NOTE: This test is conducted to test survivability only. Data stability at the R output is not specified.

Figure 7. Test Circuit, Transient Over Voltage Test



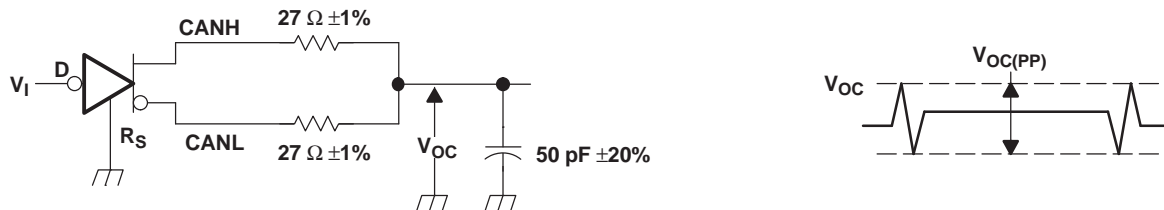
NOTE: All  $V_I$  input pulses are supplied by a generator having the following characteristics:  $t_r$  or  $t_f \leq 6$  ns, pulse repetition rate (PRR) = 125 kHz, 50% duty cycle.

Figure 8.  $t_{en(s)}$  Test Circuit and Voltage Waveforms



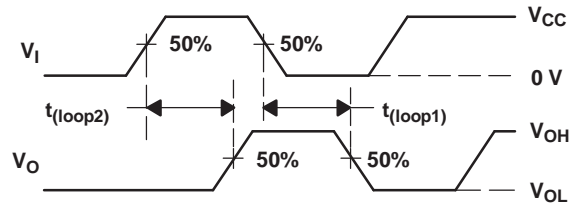
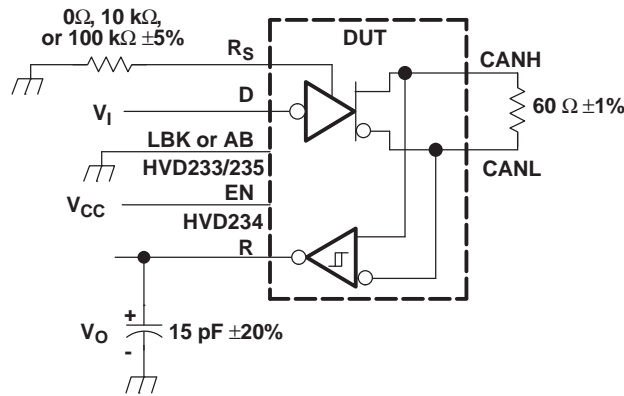
NOTE: All  $V_I$  input pulses are supplied by a generator having the following characteristics:  $t_r$  or  $t_f \leq 6$  ns, pulse repetition rate (PRR) = 50 kHz, 50% duty cycle.

Figure 9.  $t_{en(z)}$  Test Circuit and Voltage Waveforms



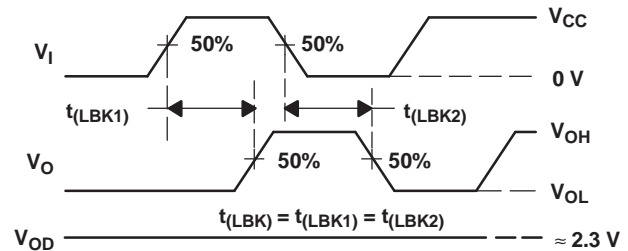
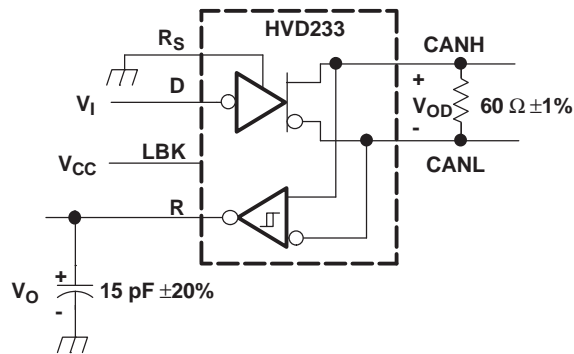
NOTE: All  $V_I$  input pulses are supplied by a generator having the following characteristics:  $t_r$  or  $t_f \leq 6$  ns, pulse repetition rate (PRR) = 125 kHz, 50% duty cycle.

Figure 10.  $V_{OC(pp)}$  Test Circuit and Voltage Waveforms



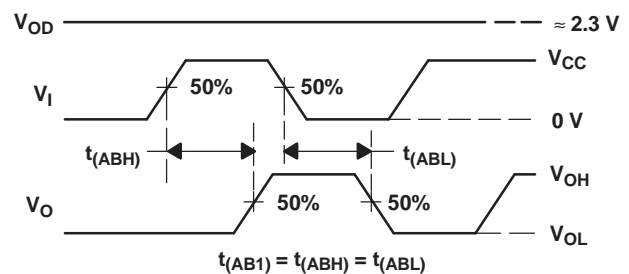
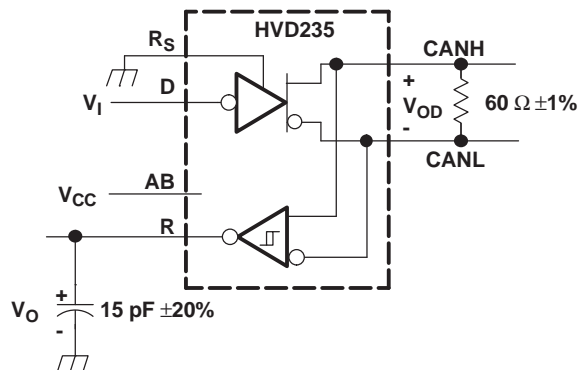
NOTE: All  $V_I$  input pulses are supplied by a generator having the following characteristics:  
 $t_r$  or  $t_f \leq 6$  ns, pulse repetition rate (PRR) = 125 kHz, 50% duty cycle.

Figure 11.  $t_{(loop)}$  Test Circuit and Voltage Waveforms



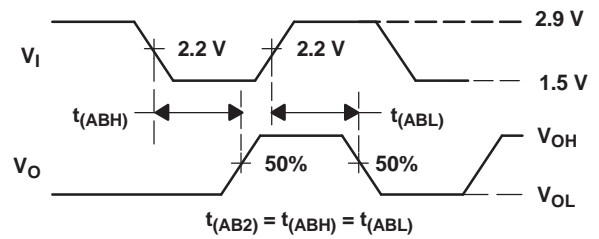
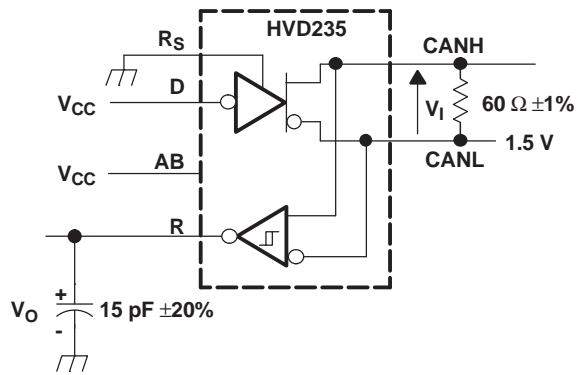
NOTE: All  $V_I$  input pulses are supplied by a generator having the following characteristics:  
 $t_r$  or  $t_f \leq 6$  ns, pulse repetition rate (PRR) = 125 kHz, 50% duty cycle.

Figure 12.  $t_{(LBK)}$  Test Circuit and Voltage Waveforms



NOTE: All  $V_I$  input pulses are supplied by a generator having the following characteristics:  
 $t_r$  or  $t_f \leq 6$  ns, pulse repetition rate (PRR) = 125 kHz, 50% duty cycle.

Figure 13.  $t_{(AB1)}$  Test Circuit and Voltage Waveforms



NOTE: All  $V_I$  input pulses are supplied by a generator having the following characteristics:  
 $t_r$  or  $t_f \leq 6$  ns, pulse repetition rate (PRR) = 125 kHz, 50% duty cycle.

Figure 14.  $t_{AB2}$  Test Circuit and Voltage Waveforms

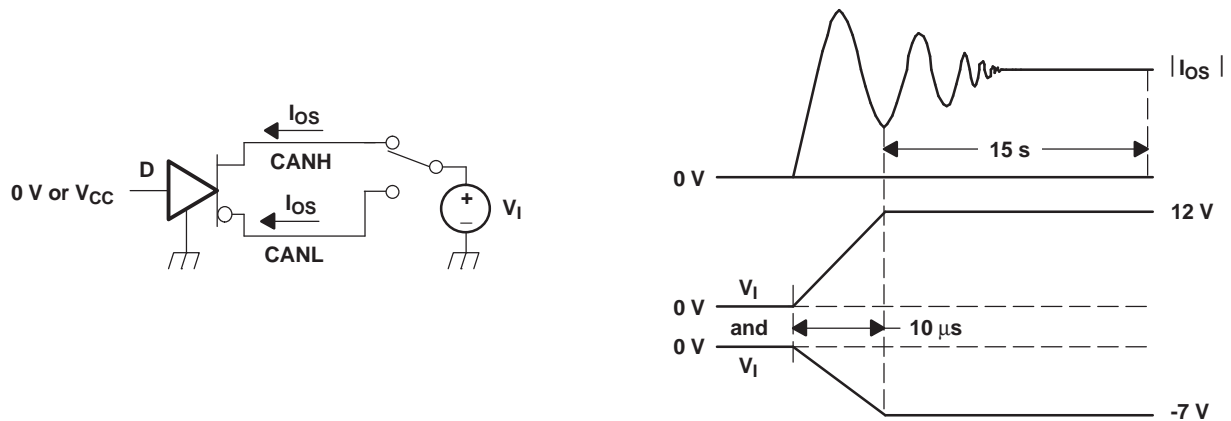
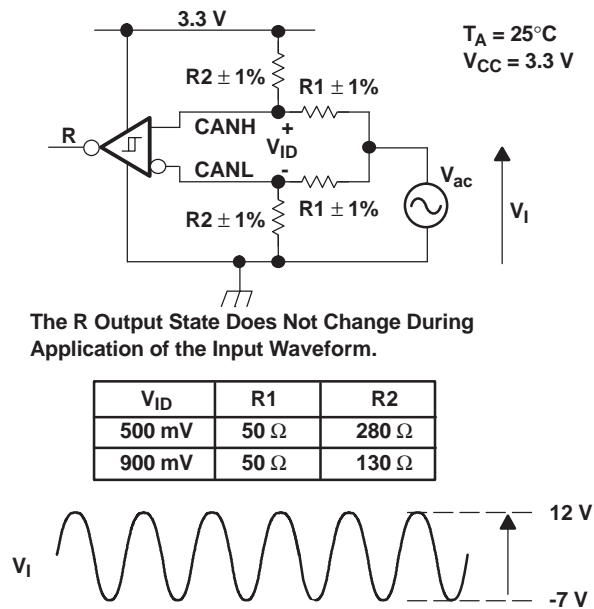


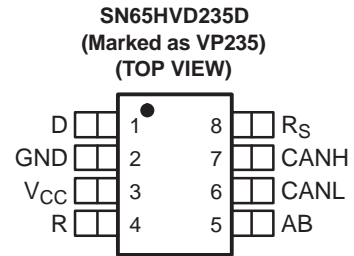
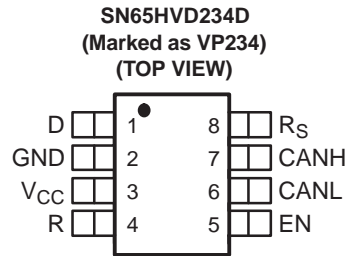
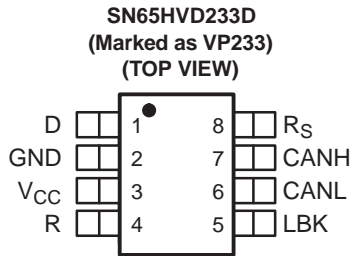
Figure 15.  $I_{OS}$  Test Circuit and Waveforms



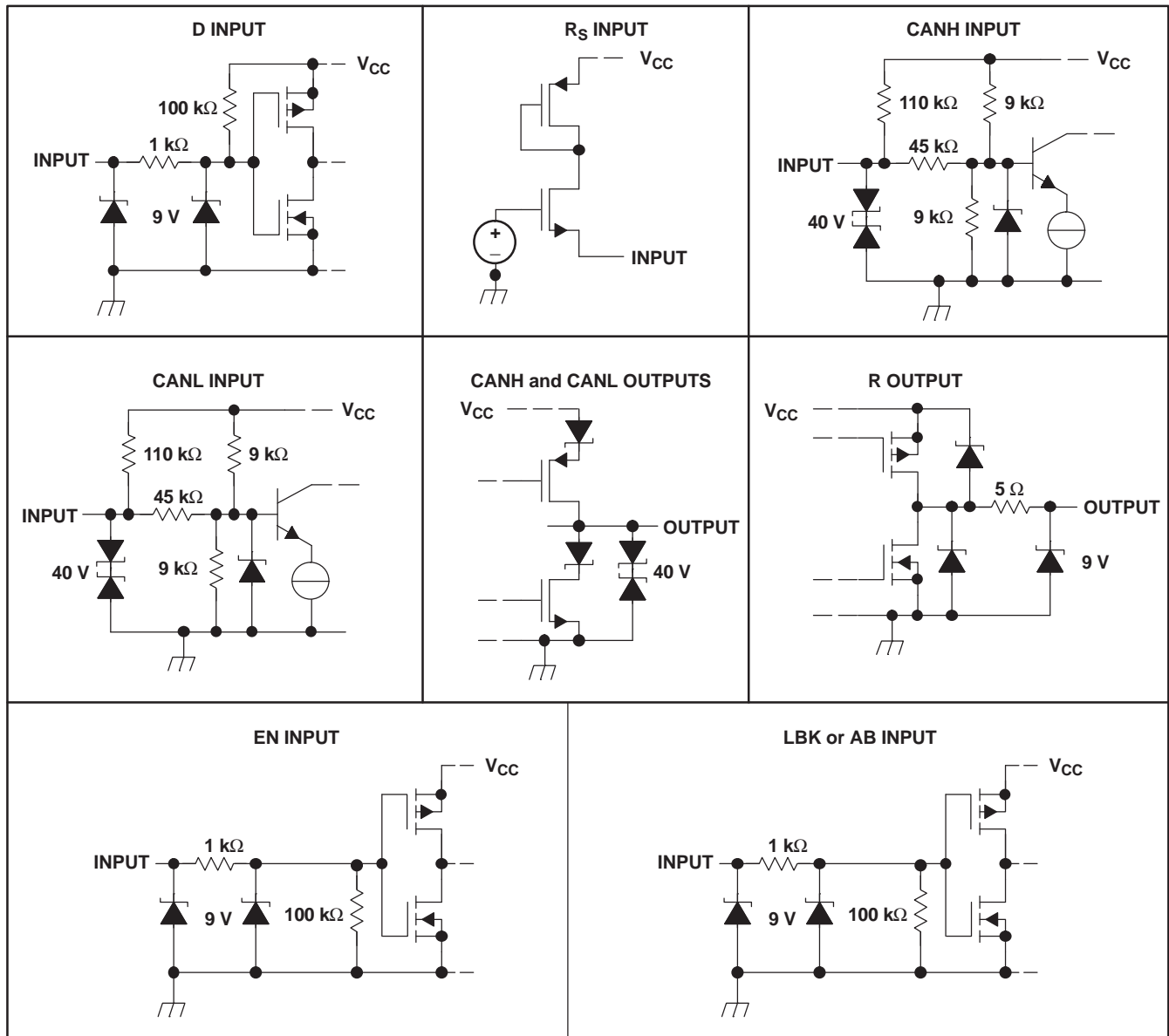
NOTE: All input pulses are supplied by a generator with  $f \leq 1.5\text{ MHz}$ .

**Figure 16. Common-Mode Voltage Rejection**

DEVICE INFORMATION



EQUIVALENT INPUT AND OUTPUT SCHEMATIC DIAGRAMS



**Table 2. Thermal Characteristics**

PARAMETERS		TEST CONDITIONS	VALUE	UNIT
$\theta_{JA}$	Junction-to-ambient thermal resistance <sup>(1)</sup>	Low-K <sup>(2)</sup> board, no air flow	185	°C/W
		High-K <sup>(3)</sup> board, no air flow	101	
$\theta_{JB}$	Junction-to-board thermal resistance	High-K <sup>(3)</sup> board, no air flow	82.8	°C/W
$\theta_{JC}$	Junction-to-case thermal resistance		26.5	°C/W
$P_{(AVG)}$	Average power dissipation	$R_L = 60 \Omega$ , $R_S$ at 0 V, input to D a 1-MHz 50% duty cycle square wave $V_{CC}$ at 3.3 V, $T_A = 25^\circ\text{C}$	36.4	mW
$T_{(SD)}$	Thermal shutdown junction temperature		170	°C

- (1) See TI literature number [SZZA003](#) for an explanation of this parameter.  
 (2) JESD51-3 low effective thermal conductivity test board for leaded surface mount packages.  
 (3) JESD51-7 high effective thermal conductivity test board for leaded surface mount packages.

## FUNCTION TABLES

DRIVER (SN65HVD233 or SN65HVD235)					
INPUTS			OUTPUTS		
D	LBK/AB	$R_s$	CANH	CANL	BUS STATE
X	X	$> 0.75 V_{CC}$	Z	Z	Recessive
L	L or open	$\leq 0.33 V_{CC}$	H	L	Dominant
H or open	X		Z	Z	Recessive
X	H	$\leq 0.33 V_{CC}$	Z	Z	Recessive

RECEIVER (SN65HVD233)				
INPUTS				OUTPUT
BUS STATE	$V_{ID} = V_{(CANH)} - V_{(CANL)}$	LBK	D	R
Dominant	$V_{ID} \geq 0.9 \text{ V}$	L or open	X	L
Recessive	$V_{ID} \leq 0.5 \text{ V}$ or open	L or open	H or open	H
?	$0.5 \text{ V} < V_{ID} < 0.9 \text{ V}$	L or open	H or open	?
X	X	H	L	L
X	X		H	H

RECEIVER (SN65HVD235) <sup>(1)</sup>				
INPUTS				OUTPUT
BUS STATE	$V_{ID} = V_{(CANH)} - V_{(CANL)}$	AB	D	R
Dominant	$V_{ID} \geq 0.9 \text{ V}$	L or open	X	L
Recessive	$V_{ID} \leq 0.5 \text{ V}$ or open	L or open	H or open	H
?	$0.5 \text{ V} < V_{ID} < 0.9 \text{ V}$	L or open	H or open	?
Dominant	$V_{ID} \geq 0.9 \text{ V}$	H	X	L
Recessive	$V_{ID} \leq 0.5 \text{ V}$ or open	H	H	H
Recessive	$V_{ID} \leq 0.5 \text{ V}$ or open	H	L	L
?	$0.5 \text{ V} < V_{ID} < 0.9 \text{ V}$	H	L	L

- (1) H = high level; L = low level; Z = high impedance; X = irrelevant; ? = indeterminate

DRIVER (SN65HVD234)					
INPUTS			OUTPUTS		
D	EN	R <sub>s</sub>	CANH	CANL	BUS STATE
L	H	≤ 0.33 V <sub>CC</sub>	H	L	Dominant
H	X	≤ 0.33 V <sub>CC</sub>	Z	Z	Recessive
Open	X	X	Z	Z	Recessive
X	X	> 0.75 V <sub>CC</sub>	Z	Z	Recessive
X	L or open	X	Z	Z	Recessive

RECEIVER (SN65HVD234) <sup>(1)</sup>			
INPUTS			OUTPUT
BUS STATE	V <sub>ID</sub> = V <sub>(CANH)</sub> –V <sub>(CANL)</sub>	EN	R
Dominant	V <sub>ID</sub> ≥ 0.9 V	H	L
Recessive	V <sub>ID</sub> ≤ 0.5 V or open	H	H
?	0.5 V < V <sub>ID</sub> < 0.9 V	H	?
X	X	L or open	H

(1) H = high level; L = low level; Z = high impedance; X = irrelevant; ? = indeterminate



TYPICAL CHARACTERISTICS

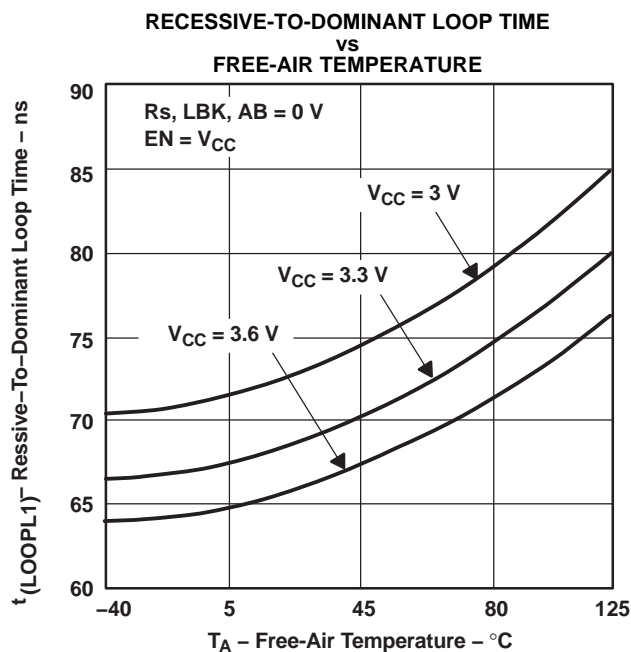


Figure 17.

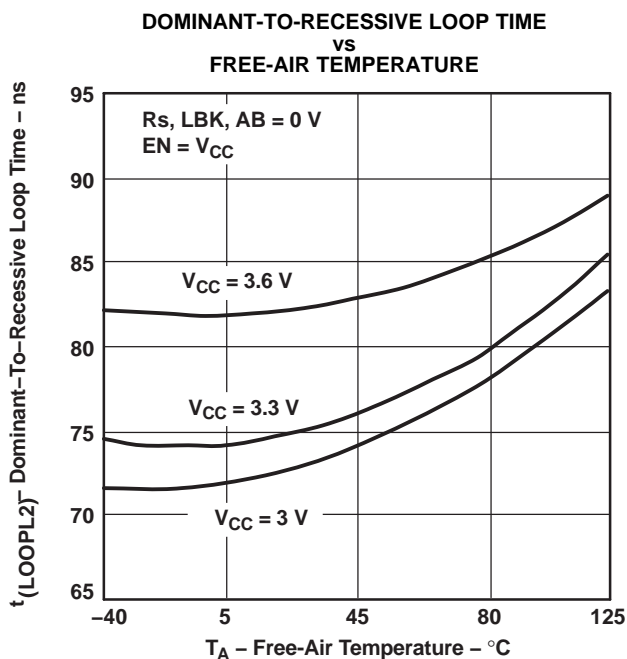


Figure 18.

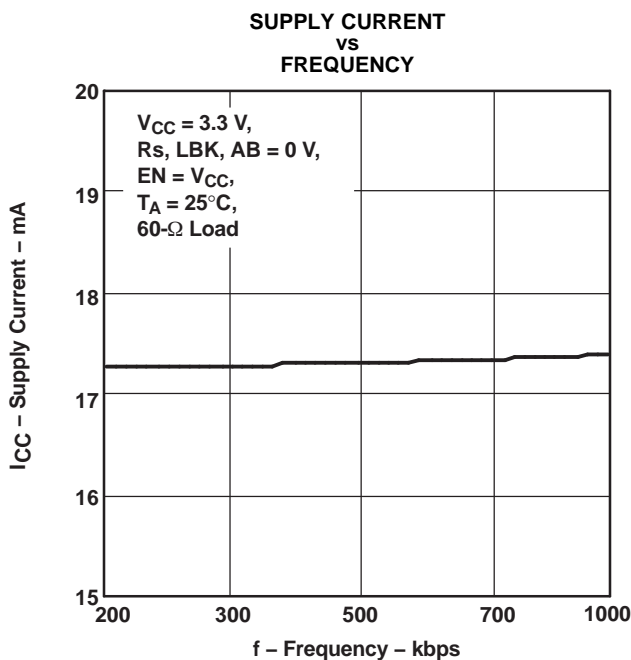


Figure 19.

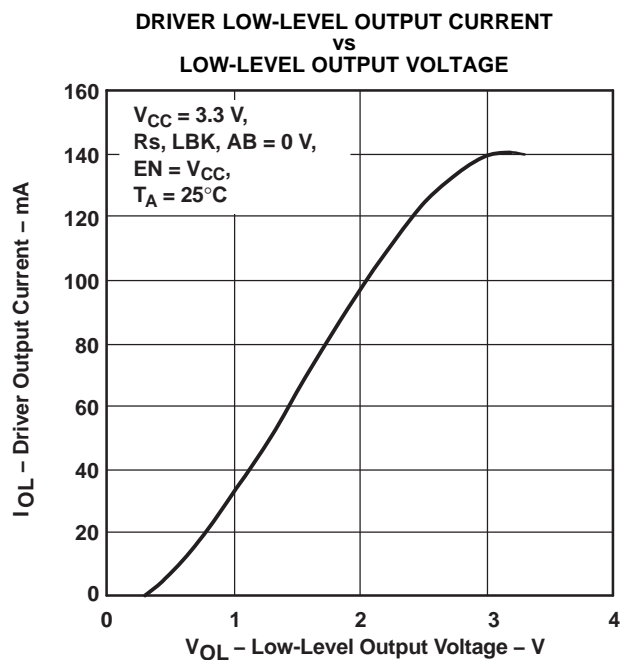


Figure 20.

TYPICAL CHARACTERISTICS (continued)

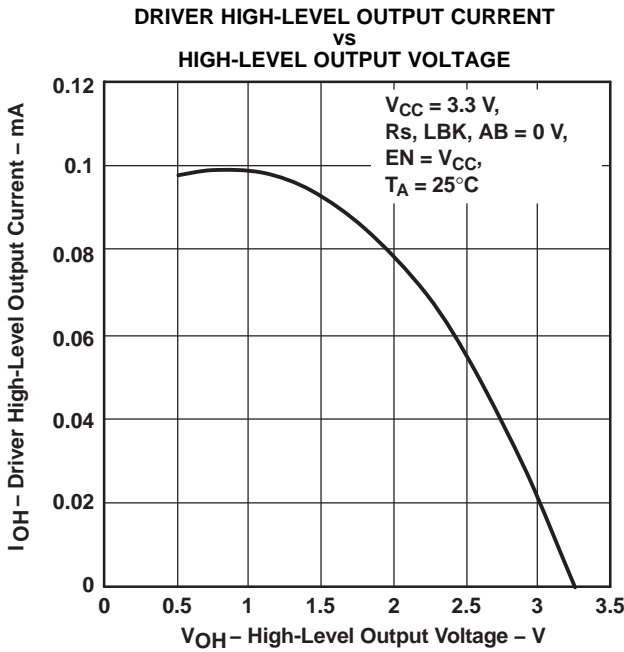


Figure 21.

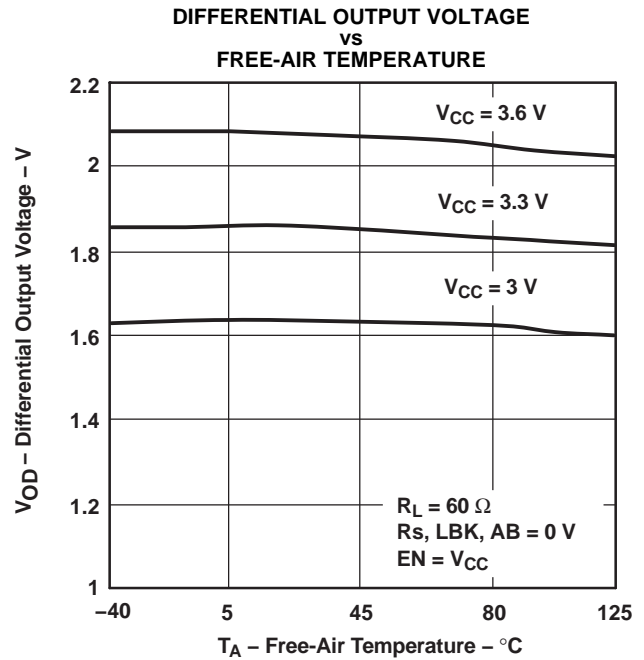


Figure 22.

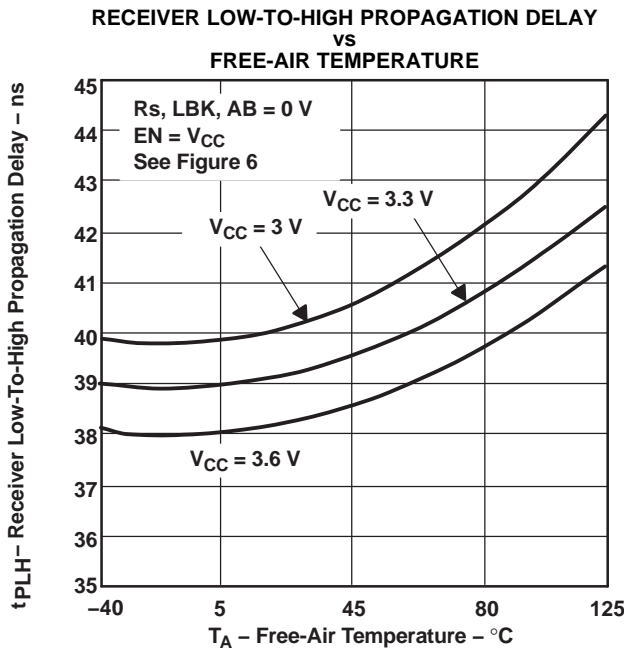


Figure 23.

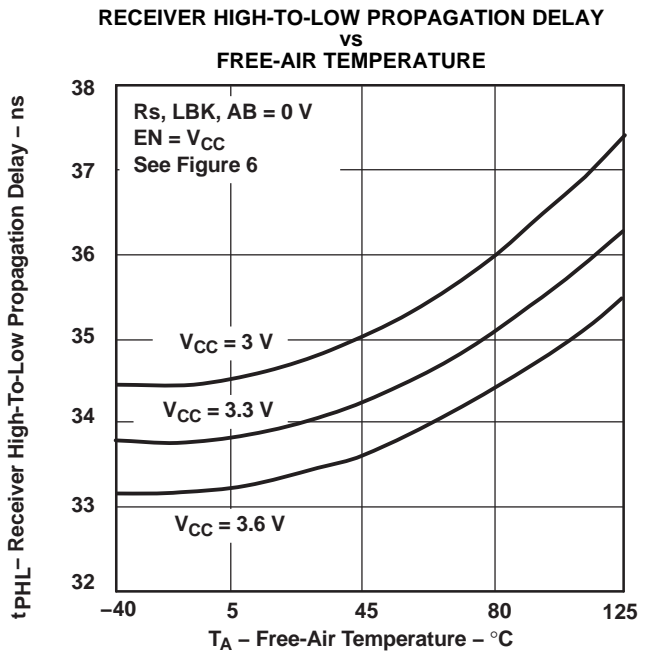


Figure 24.

TYPICAL CHARACTERISTICS (continued)

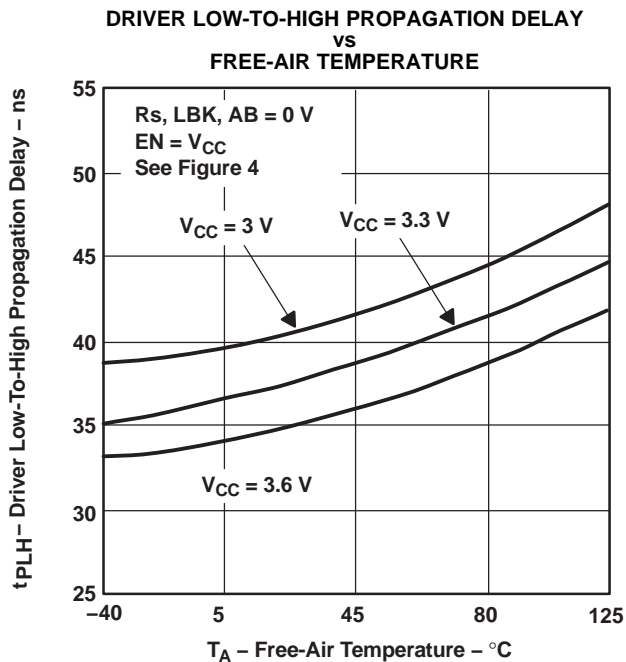


Figure 25.

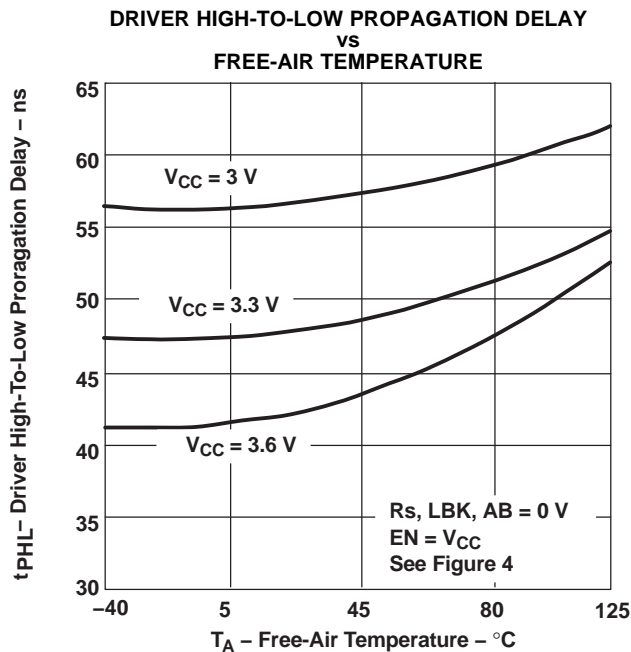


Figure 26.

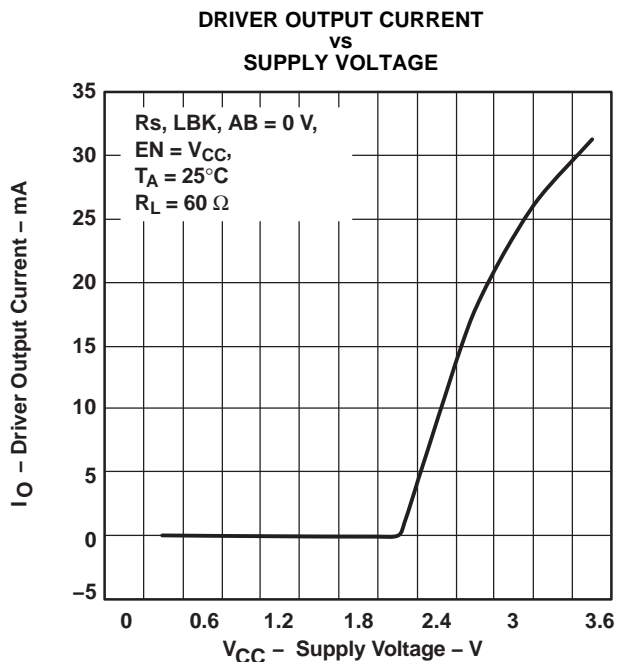


Figure 27.

## APPLICATION INFORMATION

### DIAGNOSTIC LOOPBACK (SN65HVD233)

The loopback (LBK) function of the HVD233 is enabled with a high-level input to pin 5. This forces the driver into a recessive state and redirects the data (D) input at pin 1 to the received-data output (R) at pin 4. This allows the host controller to input and read back a bit sequence to perform diagnostic routines without disturbing the CAN bus. A typical CAN bus application is displayed in [Figure 28](#).

If the LBK pin is not used it may be tied to ground (GND). However, it is pulled low internally (defaults to a low-level input) and may be left open if not in use.

### AUTOBAUD LOOPBACK (SN65HVD235)

The autobaud feature of the HVD235 is implemented by placing a logic high on pin 5 (AB). In autobaud, the *bus-transmit* function of the transceiver is disabled, while the *bus-receive* function and all of the normal operating functions of the device remain intact. With the autobaud function engaged, normal bus activity can be monitored by the device. However, if an error frame is generated by the local CAN controller, it is not transmitted to the bus. Only the host microprocessor can detect the error frame.

Autobaud detection is best suited to applications that have a known selection of baud rates. For example, a popular industrial application has optional settings of 125 kbps, 250 kbps, or 500 kbps. Once the logic high has been applied to pin 5 (AB) of the HVD235, assume a baud rate such as 125 kbps, then wait for a message to be transmitted by another node on the bus. If the wrong baud rate has been selected, an error message is generated by the host CAN controller. However, since the *bus-transmit* function of the device has been disabled, no other nodes receive the error message of the controller.

This procedure makes use of the CAN controller's status register indications of message received and error warning status to signal if the current baud rate is correct or not. The warning status indicates that the CAN chip error counters have been incremented. A message received status indicates that a good message has been received.

If an error is generated, reset the CAN controller with another baud rate, and wait to receive another message. When an error-free message has been received, the correct baud rate has been detected. A logic low may now be applied to pin 5 (AB) of the HVD235, returning the *bus-transmit* normal operating function to the transceiver.

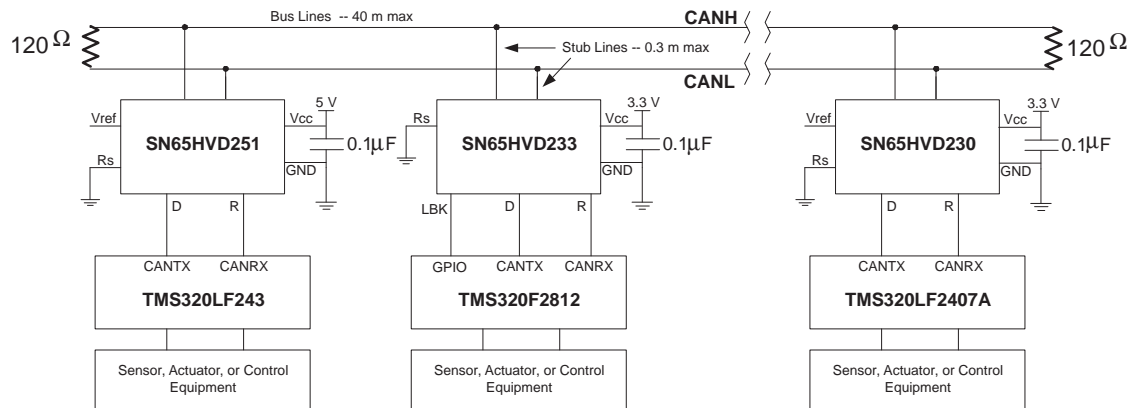


Figure 28. Typical HVD233 Application

## ISO 11898 COMPLIANCE OF SN65HVD230 FAMILY OF 3.3-V CAN TRANSCEIVERS

### Introduction

Many users value the low power consumption of operating their CAN transceivers from a 3.3 V supply. However, some are concerned about the interoperability with 5-V supplied transceivers on the same bus. This report analyzes this situation to address those concerns.

## Differential Signal

CAN is a differential bus where complementary signals are sent over two wires and the voltage difference between the two wires defines the logical state of the bus. The differential CAN receiver monitors this voltage difference and outputs the bus state with a single-ended output signal.

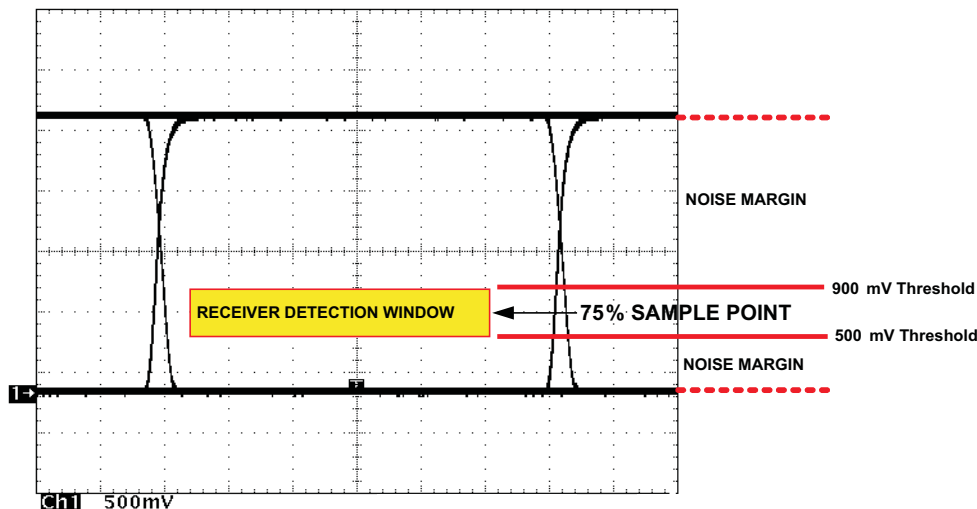


Figure 29. Typical SN65HVD230 Differential Output Voltage Waveform

The CAN driver creates the difference voltage between CANH and CANL in the dominant state. The dominant differential output of the SN65HVD230 is greater than 1.5 V and less than 3 V across a 60-ohm load. The minimum required by ISO 11898 is 1.5 V and maximum is 3 V. These are the same limiting values for 5 V supplied CAN transceivers. The bus termination resistors drive the recessive bus state and not the CAN driver.

A CAN receiver is required to output a recessive state with less than 500 mV and a dominant state with more than 900 mV difference voltage on its bus inputs. The CAN receiver must do this with common-mode input voltages from -2 V to 7 volts. The SN65HVD230 family receivers meet these same input specifications as 5-V supplied receivers.

## Common-Mode Signal

A common-mode signal is an average voltage of the two signal wires that the differential receiver rejects. The common-mode signal comes from the CAN driver, ground noise, and coupled bus noise. Obviously, the supply voltage of the CAN transceiver has nothing to do with noise. The SN65HVD230 family driver lowers the common-mode output in a dominant bit by a couple hundred millivolts from that of most 5-V drivers. While this does not fully comply with ISO 11898, this small variation in the driver common-mode output is rejected by differential receivers and does not effect data, signal noise margins or error rates.

## Interoperability of 3.3-V CAN in 5-V CAN Systems

The 3.3-V supplied SN65HVD23x family of CAN transceivers are electrically interchangeable with 5-V CAN transceivers. The differential output is the same. The recessive common-mode output is the same. The dominant common-mode output voltage is a couple hundred millivolts lower than 5-V supplied drivers, while the receivers exhibit identical specifications as 5-V devices.

Electrical interoperability does not assure interchangeability however. Most implementers of CAN buses recognize that ISO 11898 does not sufficiently specify the electrical layer and that strict standard compliance alone does not ensure interchangeability. This comes only with thorough equipment testing.

## BUS CABLE

The ISO-11898 Standard specifies a maximum bus length of 40 m and maximum stub length of 0.3 m with a maximum of 30 nodes. However, with careful design, users can have longer cables, longer stub lengths, and many more nodes to a bus. A large number of nodes requires a transceiver with high input impedance such as the HVD233.

The standard specifies the interconnect to be a single twisted-pair cable (shielded or unshielded) with 120-Ω characteristic impedance ( $Z_0$ ). Resistors equal to the characteristic impedance of the line terminate both ends of the cable to prevent signal reflections. Unterminated drop-lines (stubs) connecting nodes to the bus should be kept as short as possible to minimize signal reflections.

## SLOPE CONTROL

The rise and fall slope of the SN65HVD233, SN65HVD234, and SN65HVD235 driver output can be adjusted by connecting a resistor from the  $R_s$  (pin 8) to ground (GND), or to a low-level input voltage as shown in Figure 30.

The slope of the driver output signal is proportional to the pin's output current. This slope control is implemented with an external resistor value of 10 kΩ to achieve a  $\approx 15$  V/μs slew rate, and up to 100 kΩ to achieve a  $\approx 2.0$  V/μs slew rate as displayed in Figure 31. Typical driver output waveforms with slope control are displayed in Figure 32.

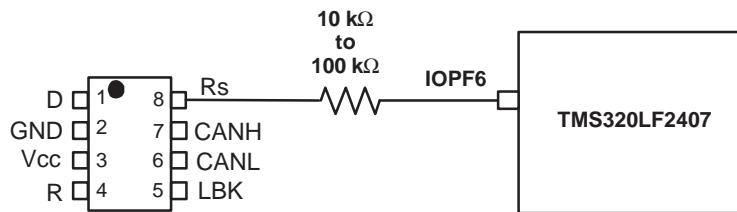


Figure 30. Slope Control/Standby Connection to a DSP

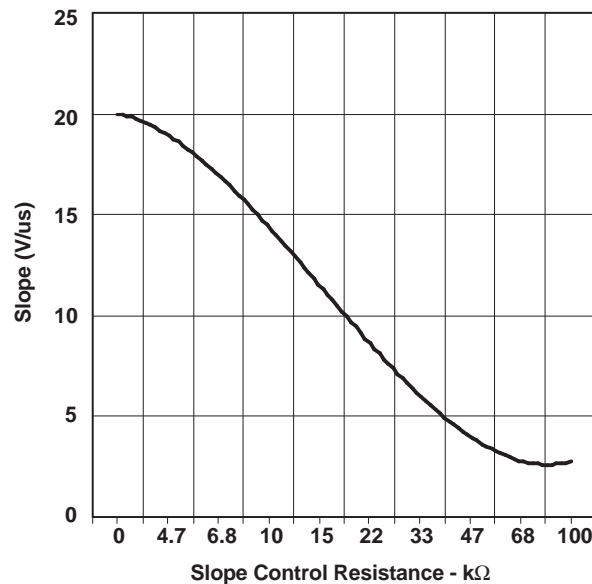


Figure 31. HVD233 Driver Output Signal Slope vs Slope Control Resistance Value

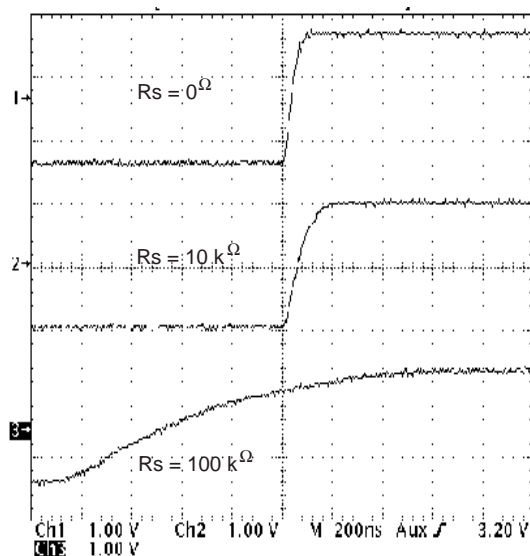


Figure 32. Typical SN65HVD233 250-kbps Output Pulse Waveforms With Slope Control

## STANDBY

If a high-level input ( $> 0.75 V_{CC}$ ) is applied to  $R_s$  (pin 8), the circuit enters a low-current, *listen only* standby mode during which the driver is switched off and the receiver remains active. The local controller can reverse this low-power standby mode when the rising edge of a dominant state (bus differential voltage  $>900$  mV typical) occurs on the bus.

## Revision History

Changes from Original (November 2002) to Revision A	Page
<ul style="list-style-type: none"><li>Changed the data sheet from Product Preview to Production for part number SN65HVD233. ....</li></ul>	1
<hr/>	
Changes from Revision A (March 2003) to Revision B	Page
<ul style="list-style-type: none"><li>Changed the data sheet from Product Preview to Production for part number SN65HVD234 and SN65HVD235. ....</li><li>Added <a href="#">Table 2</a>, Thermal Characteristics .....</li><li>Changed the APPLICATION INFORMATION section. ....</li></ul>	1 15 20
<hr/>	
Changes from Revision B (June 2003) to Revision C	Page
<ul style="list-style-type: none"><li>Added <math>I_O</math>, Receiver output current to the Abs Max Table .....</li></ul>	3
<hr/>	
Changes from Revision C (March 2005) to Revision D	Page
<ul style="list-style-type: none"><li>Added Features Bullet: GIFT/ICT Compliant (SN65HVD234) .....</li></ul>	1
<hr/>	
Changes from Revision D (June 2005) to Revision E	Page
<ul style="list-style-type: none"><li>Added 60-<math>\Omega</math> load test condition to <a href="#">Figure 19</a> .....</li><li>Deleted INTEROPERABILITY WITH 5-V CAN SYSTEMS section .....</li><li>Added ISO 11898 COMPLIANCE OF SN65HVD230 FAMILY OF 3.3-V CAN TRANSCEIVERS section .....</li></ul>	17 20 20
<hr/>	
Changes from Revision E (October 2007) to Revision F	Page
<ul style="list-style-type: none"><li>Changed <a href="#">Figure 6</a>, Receiver Test Circuit and Voltage Waveform. From: <math>C_L = 50</math> pF <math>\pm 20\%</math> to: <math>C_L = 15</math> pF <math>\pm 20\%</math> .....</li></ul>	9



**PACKAGING INFORMATION**

Orderable Device	Status <sup>(1)</sup>	Package Type	Package Drawing	Pins	Package Qty	Eco Plan <sup>(2)</sup>	Lead/ Ball Finish	MSL Peak Temp <sup>(3)</sup>	Samples (Requires Login)
SN65HVD233D	ACTIVE	SOIC	D	8	75	Green (RoHS & no Sb/Br)	CU NIPDAU	Level-1-260C-UNLIM	<a href="#">Request Free Samples</a>
SN65HVD233DG4	ACTIVE	SOIC	D	8	75	Green (RoHS & no Sb/Br)	CU NIPDAU	Level-1-260C-UNLIM	<a href="#">Request Free Samples</a>
SN65HVD233DR	ACTIVE	SOIC	D	8	2500	Green (RoHS & no Sb/Br)	CU NIPDAU	Level-1-260C-UNLIM	<a href="#">Purchase Samples</a>
SN65HVD233DRG4	ACTIVE	SOIC	D	8	2500	Green (RoHS & no Sb/Br)	CU NIPDAU	Level-1-260C-UNLIM	<a href="#">Purchase Samples</a>
SN65HVD234D	ACTIVE	SOIC	D	8	75	Green (RoHS & no Sb/Br)	CU NIPDAU	Level-1-260C-UNLIM	<a href="#">Request Free Samples</a>
SN65HVD234DG4	ACTIVE	SOIC	D	8	75	Green (RoHS & no Sb/Br)	CU NIPDAU	Level-1-260C-UNLIM	<a href="#">Request Free Samples</a>
SN65HVD234DR	ACTIVE	SOIC	D	8	2500	Green (RoHS & no Sb/Br)	CU NIPDAU	Level-1-260C-UNLIM	<a href="#">Purchase Samples</a>
SN65HVD234DRG4	ACTIVE	SOIC	D	8	2500	Green (RoHS & no Sb/Br)	CU NIPDAU	Level-1-260C-UNLIM	<a href="#">Purchase Samples</a>
SN65HVD235D	ACTIVE	SOIC	D	8	75	Green (RoHS & no Sb/Br)	CU NIPDAU	Level-1-260C-UNLIM	<a href="#">Request Free Samples</a>
SN65HVD235DG4	ACTIVE	SOIC	D	8	75	Green (RoHS & no Sb/Br)	CU NIPDAU	Level-1-260C-UNLIM	<a href="#">Request Free Samples</a>
SN65HVD235DR	ACTIVE	SOIC	D	8	2500	Green (RoHS & no Sb/Br)	CU NIPDAU	Level-1-260C-UNLIM	<a href="#">Purchase Samples</a>
SN65HVD235DRG4	ACTIVE	SOIC	D	8	2500	Green (RoHS & no Sb/Br)	CU NIPDAU	Level-1-260C-UNLIM	<a href="#">Purchase Samples</a>

<sup>(1)</sup> The marketing status values are defined as follows:

**ACTIVE:** Product device recommended for new designs.

**LIFEBUY:** TI has announced that the device will be discontinued, and a lifetime-buy period is in effect.

**NRND:** Not recommended for new designs. Device is in production to support existing customers, but TI does not recommend using this part in a new design.

**PREVIEW:** Device has been announced but is not in production. Samples may or may not be available.

**OBSELETE:** TI has discontinued the production of the device.

<sup>(2)</sup> Eco Plan - The planned eco-friendly classification: Pb-Free (RoHS), Pb-Free (RoHS Exempt), or Green (RoHS & no Sb/Br) - please check <http://www.ti.com/productcontent> for the latest availability information and additional product content details.

**TBD:** The Pb-Free/Green conversion plan has not been defined.

---

**Pb-Free (RoHS):** TI's terms "Lead-Free" or "Pb-Free" mean semiconductor products that are compatible with the current RoHS requirements for all 6 substances, including the requirement that lead not exceed 0.1% by weight in homogeneous materials. Where designed to be soldered at high temperatures, TI Pb-Free products are suitable for use in specified lead-free processes.

**Pb-Free (RoHS Exempt):** This component has a RoHS exemption for either 1) lead-based flip-chip solder bumps used between the die and package, or 2) lead-based die adhesive used between the die and leadframe. The component is otherwise considered Pb-Free (RoHS compatible) as defined above.

**Green (RoHS & no Sb/Br):** TI defines "Green" to mean Pb-Free (RoHS compatible), and free of Bromine (Br) and Antimony (Sb) based flame retardants (Br or Sb do not exceed 0.1% by weight in homogeneous material)

<sup>(3)</sup> MSL, Peak Temp. -- The Moisture Sensitivity Level rating according to the JEDEC industry standard classifications, and peak solder temperature.

**Important Information and Disclaimer:** The information provided on this page represents TI's knowledge and belief as of the date that it is provided. TI bases its knowledge and belief on information provided by third parties, and makes no representation or warranty as to the accuracy of such information. Efforts are underway to better integrate information from third parties. TI has taken and continues to take reasonable steps to provide representative and accurate information but may not have conducted destructive testing or chemical analysis on incoming materials and chemicals. TI and TI suppliers consider certain information to be proprietary, and thus CAS numbers and other limited information may not be available for release.

In no event shall TI's liability arising out of such information exceed the total purchase price of the TI part(s) at issue in this document sold by TI to Customer on an annual basis.

**OTHER QUALIFIED VERSIONS OF SN65HVD233 :**

- Enhanced Product: [SN65HVD233-EP](#)

NOTE: Qualified Version Definitions:

- Enhanced Product - Supports Defense, Aerospace and Medical Applications

**TAPE AND REEL INFORMATION**



**QUADRANT ASSIGNMENTS FOR PIN 1 ORIENTATION IN TAPE**



\*All dimensions are nominal

Device	Package Type	Package Drawing	Pins	SPQ	Reel Diameter (mm)	Reel Width W1 (mm)	A0 (mm)	B0 (mm)	K0 (mm)	P1 (mm)	W (mm)	Pin1 Quadrant
SN65HVD233DR	SOIC	D	8	2500	330.0	12.4	6.4	5.2	2.1	8.0	12.0	Q1
SN65HVD234DR	SOIC	D	8	2500	330.0	12.4	6.4	5.2	2.1	8.0	12.0	Q1
SN65HVD235DR	SOIC	D	8	2500	330.0	12.4	6.4	5.2	2.1	8.0	12.0	Q1

**TAPE AND REEL BOX DIMENSIONS**



\*All dimensions are nominal

Device	Package Type	Package Drawing	Pins	SPQ	Length (mm)	Width (mm)	Height (mm)
SN65HVD233DR	SOIC	D	8	2500	340.5	338.1	20.6
SN65HVD234DR	SOIC	D	8	2500	340.5	338.1	20.6
SN65HVD235DR	SOIC	D	8	2500	340.5	338.1	20.6

D (R-PDSO-G8)

PLASTIC SMALL OUTLINE



D (R-PDSO-G8)

PLASTIC SMALL OUTLINE



- NOTES:
- A. All linear dimensions are in millimeters.
  - B. This drawing is subject to change without notice.
  - C. Publication IPC-7351 is recommended for alternate designs.
  - D. Laser cutting apertures with trapezoidal walls and also rounding corners will offer better paste release. Customers should contact their board assembly site for stencil design recommendations. Refer to IPC-7525 for other stencil recommendations.
  - E. Customers should contact their board fabrication site for solder mask tolerances between and around signal pads.

## IMPORTANT NOTICE

Texas Instruments Incorporated and its subsidiaries (TI) reserve the right to make corrections, enhancements, improvements and other changes to its semiconductor products and services per JESD46, latest issue, and to discontinue any product or service per JESD48, latest issue. Buyers should obtain the latest relevant information before placing orders and should verify that such information is current and complete. All semiconductor products (also referred to herein as "components") are sold subject to TI's terms and conditions of sale supplied at the time of order acknowledgment.

TI warrants performance of its components to the specifications applicable at the time of sale, in accordance with the warranty in TI's terms and conditions of sale of semiconductor products. Testing and other quality control techniques are used to the extent TI deems necessary to support this warranty. Except where mandated by applicable law, testing of all parameters of each component is not necessarily performed.

TI assumes no liability for applications assistance or the design of Buyers' products. Buyers are responsible for their products and applications using TI components. To minimize the risks associated with Buyers' products and applications, Buyers should provide adequate design and operating safeguards.

TI does not warrant or represent that any license, either express or implied, is granted under any patent right, copyright, mask work right, or other intellectual property right relating to any combination, machine, or process in which TI components or services are used. Information published by TI regarding third-party products or services does not constitute a license to use such products or services or a warranty or endorsement thereof. Use of such information may require a license from a third party under the patents or other intellectual property of the third party, or a license from TI under the patents or other intellectual property of TI.

Reproduction of significant portions of TI information in TI data books or data sheets is permissible only if reproduction is without alteration and is accompanied by all associated warranties, conditions, limitations, and notices. TI is not responsible or liable for such altered documentation. Information of third parties may be subject to additional restrictions.

Resale of TI components or services with statements different from or beyond the parameters stated by TI for that component or service voids all express and any implied warranties for the associated TI component or service and is an unfair and deceptive business practice. TI is not responsible or liable for any such statements.

Buyer acknowledges and agrees that it is solely responsible for compliance with all legal, regulatory and safety-related requirements concerning its products, and any use of TI components in its applications, notwithstanding any applications-related information or support that may be provided by TI. Buyer represents and agrees that it has all the necessary expertise to create and implement safeguards which anticipate dangerous consequences of failures, monitor failures and their consequences, lessen the likelihood of failures that might cause harm and take appropriate remedial actions. Buyer will fully indemnify TI and its representatives against any damages arising out of the use of any TI components in safety-critical applications.

In some cases, TI components may be promoted specifically to facilitate safety-related applications. With such components, TI's goal is to help enable customers to design and create their own end-product solutions that meet applicable functional safety standards and requirements. Nonetheless, such components are subject to these terms.

No TI components are authorized for use in FDA Class III (or similar life-critical medical equipment) unless authorized officers of the parties have executed a special agreement specifically governing such use.

Only those TI components which TI has specifically designated as military grade or "enhanced plastic" are designed and intended for use in military/aerospace applications or environments. Buyer acknowledges and agrees that any military or aerospace use of TI components which have **not** been so designated is solely at the Buyer's risk, and that Buyer is solely responsible for compliance with all legal and regulatory requirements in connection with such use.

TI has specifically designated certain components which meet ISO/TS16949 requirements, mainly for automotive use. Components which have not been so designated are neither designed nor intended for automotive use; and TI will not be responsible for any failure of such components to meet such requirements.

### Products

Audio	<a href="http://www.ti.com/audio">www.ti.com/audio</a>
Amplifiers	<a href="http://amplifier.ti.com">amplifier.ti.com</a>
Data Converters	<a href="http://dataconverter.ti.com">dataconverter.ti.com</a>
DLP® Products	<a href="http://www.dlp.com">www.dlp.com</a>
DSP	<a href="http://dsp.ti.com">dsp.ti.com</a>
Clocks and Timers	<a href="http://www.ti.com/clocks">www.ti.com/clocks</a>
Interface	<a href="http://interface.ti.com">interface.ti.com</a>
Logic	<a href="http://logic.ti.com">logic.ti.com</a>
Power Mgmt	<a href="http://power.ti.com">power.ti.com</a>
Microcontrollers	<a href="http://microcontroller.ti.com">microcontroller.ti.com</a>
RFID	<a href="http://www.ti-rfid.com">www.ti-rfid.com</a>
OMAP Applications Processors	<a href="http://www.ti.com/omap">www.ti.com/omap</a>
Wireless Connectivity	<a href="http://www.ti.com/wirelessconnectivity">www.ti.com/wirelessconnectivity</a>

### Applications

Automotive and Transportation	<a href="http://www.ti.com/automotive">www.ti.com/automotive</a>
Communications and Telecom	<a href="http://www.ti.com/communications">www.ti.com/communications</a>
Computers and Peripherals	<a href="http://www.ti.com/computers">www.ti.com/computers</a>
Consumer Electronics	<a href="http://www.ti.com/consumer-apps">www.ti.com/consumer-apps</a>
Energy and Lighting	<a href="http://www.ti.com/energy">www.ti.com/energy</a>
Industrial	<a href="http://www.ti.com/industrial">www.ti.com/industrial</a>
Medical	<a href="http://www.ti.com/medical">www.ti.com/medical</a>
Security	<a href="http://www.ti.com/security">www.ti.com/security</a>
Space, Avionics and Defense	<a href="http://www.ti.com/space-avionics-defense">www.ti.com/space-avionics-defense</a>
Video and Imaging	<a href="http://www.ti.com/video">www.ti.com/video</a>

### TI E2E Community

[e2e.ti.com](http://e2e.ti.com)



## Стандарт Электрон Связь

Мы молодая и активно развивающаяся компания в области поставок электронных компонентов. Мы поставляем электронные компоненты отечественного и импортного производства напрямую от производителей и с крупнейших складов мира.

Благодаря сотрудничеству с мировыми поставщиками мы осуществляем комплексные и плановые поставки широчайшего спектра электронных компонентов.

Собственная эффективная логистика и склад в обеспечивает надежную поставку продукции в точно указанные сроки по всей России.

Мы осуществляем техническую поддержку нашим клиентам и предпродажную проверку качества продукции. На все поставляемые продукты мы предоставляем гарантию .

Осуществляем поставки продукции под контролем ВП МО РФ на предприятия военно-промышленного комплекса России , а также работаем в рамках 275 ФЗ с открытием отдельных счетов в уполномоченном банке. Система менеджмента качества компании соответствует требованиям ГОСТ ISO 9001.

Минимальные сроки поставки, гибкие цены, неограниченный ассортимент и индивидуальный подход к клиентам являются основой для выстраивания долгосрочного и эффективного сотрудничества с предприятиями радиоэлектронной промышленности, предприятиями ВПК и научно-исследовательскими институтами России.

С нами вы становитесь еще успешнее!

### Наши контакты:

**Телефон:** +7 812 627 14 35

**Электронная почта:** [sales@st-electron.ru](mailto:sales@st-electron.ru)

**Адрес:** 198099, Санкт-Петербург,  
Промышленная ул, дом № 19, литера Н,  
помещение 100-Н Офис 331