



Integrated Device Technology, Inc.

# FAST CMOS OCTAL TRANSPARENT LATCHES

IDT54/74FCT373T/AT/CT/DT - 2373T/AT/CT  
IDT54/74FCT533T/AT/CT  
IDT54/74FCT573T/AT/CT/DT - 2573T/AT/CT

## FEATURES:

### • Common features:

- Low input and output leakage  $\leq 1\mu\text{A}$  (max.)
- CMOS power levels
- True TTL input and output compatibility
  - $V_{OH} = 3.3\text{V}$  (typ.)
  - $V_{OL} = 0.3\text{V}$  (typ.)
- Meets or exceeds JEDEC standard 18 specifications
- Product available in Radiation Tolerant and Radiation Enhanced versions
- Military product compliant to MIL-STD-883, Class B and DESC listed (dual marked)
- Available in DIP, SOIC, SSOP, QSOP, CERPACK and LCC packages

### • Features for FCT373T/FCT533T/FCT573T:

- Std., A, C and D speed grades
- High drive outputs (-15mA IOH, 48mA IOL)
- Power off disable outputs permit "live insertion"

### • Features for FCT2373T/FCT2573T:

- Std., A and C speed grades
- Resistor output (-15mA IOH, 12mA IOL Com.) (-12mA IOH, 12mA IOL Mil.)

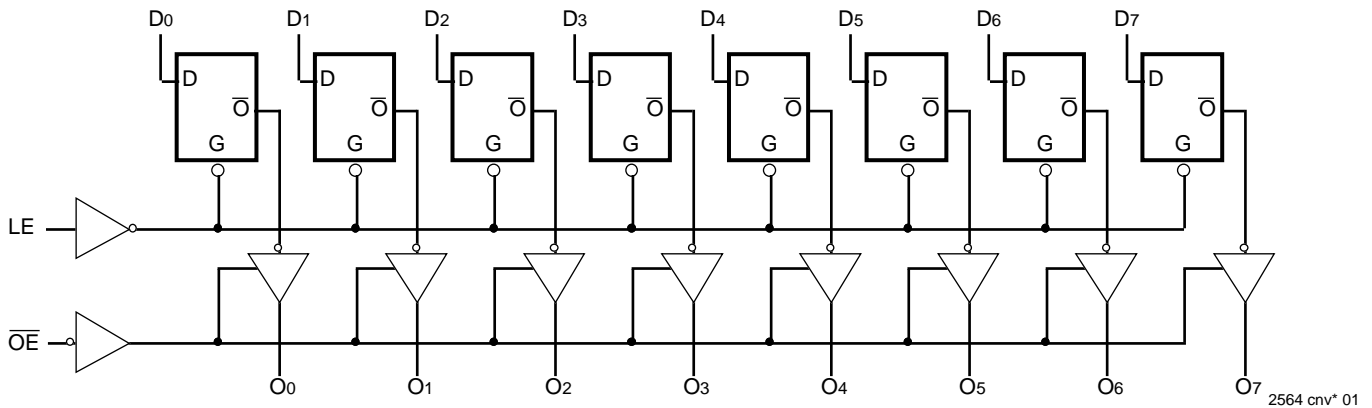
- Reduced system switching noise

## DESCRIPTION:

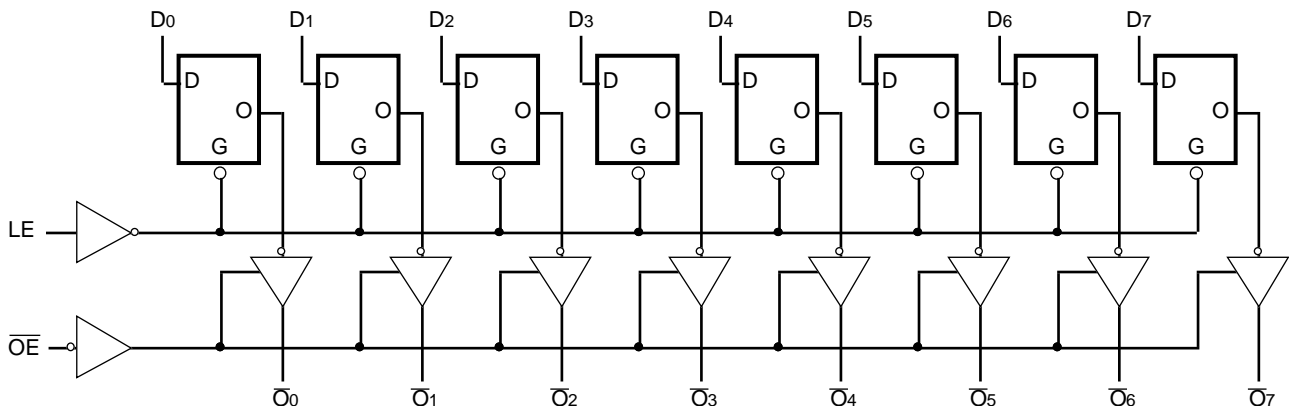
The FCT373T/FCT2373T, FCT533T and FCT573T/FCT2573T are octal transparent latches built using an advanced dual metal CMOS technology. These octal latches have 3-state outputs and are intended for bus oriented applications. The flip-flops appear transparent to the data when Latch Enable (LE) is HIGH. When LE is LOW, the data that meets the set-up time is latched. Data appears on the bus when the Output Enable ( $\overline{OE}$ ) is LOW. When  $\overline{OE}$  is HIGH, the bus output is in the high-impedance state.

The FCT2373T and FCT2573T have balanced drive outputs with current limiting resistors. This offers low ground bounce, minimal undershoot and controlled output fall times-reducing the need for external series terminating resistors. The FCT2xxxT parts are plug-in replacements for FCTxxxT parts.

## FUNCTIONAL BLOCK DIAGRAM IDT54/74FCT373T/2373T AND IDT54/74FCT573T/2573T



## FUNCTIONAL BLOCK DIAGRAM IDT54/74FCT533T



The IDT logo is a registered trademark of Integrated Device Technology, Inc.

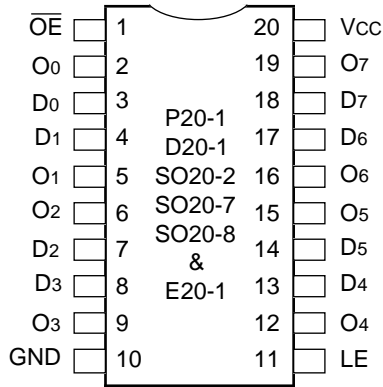
2564 cnv\* 02

MILITARY AND COMMERCIAL TEMPERATURE RANGES

AUGUST 1995

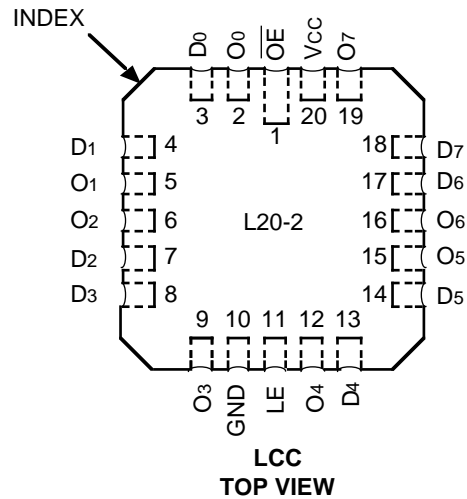
## PIN CONFIGURATIONS

### IDT54/74FCT373/2373T



**DIP/SSOP/QSOP/CERPACK  
TOP VIEW**

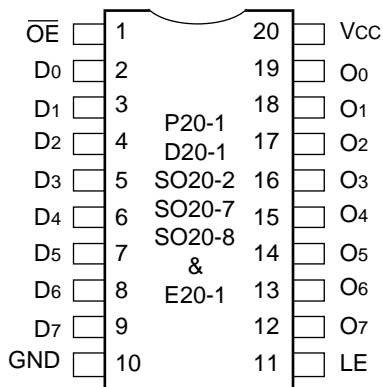
2564 cnv\* 03



**LCC  
TOP VIEW**

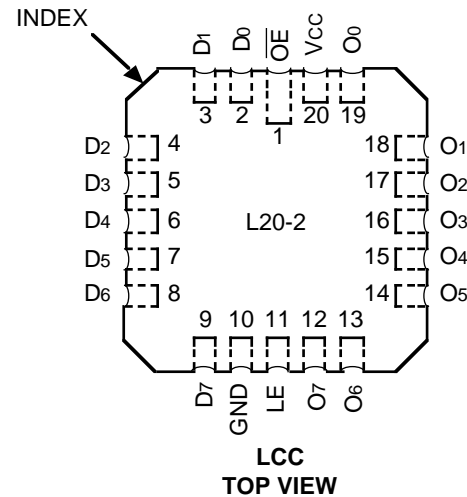
2564 cnv\* 04

### IDT54/74FCT573/2573T



**DIP/SSOP/QSOP/CERPACK  
TOP VIEW**

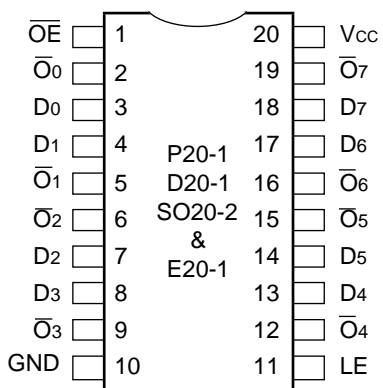
2564 cnv\* 05



**LCC  
TOP VIEW**

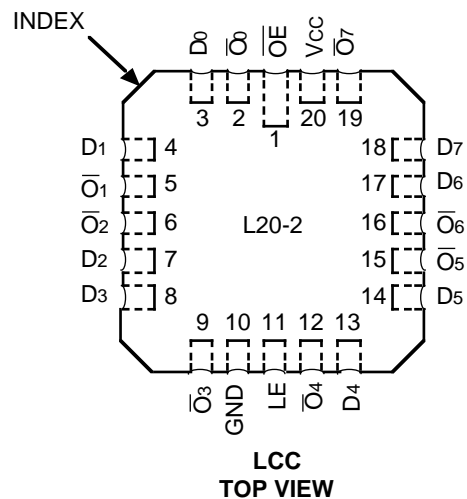
2564 cnv\* 06

### IDT54/74FCT533



**DIP/SSOP/QSOP/CERPACK  
TOP VIEW**

2564 cnv\* 07



**LCC  
TOP VIEW**

2564 cnv\* 08

### FUNCTION TABLE (533)<sup>(1)</sup>

| Inputs |    |                 | Outputs         |
|--------|----|-----------------|-----------------|
| DN     | LE | $\overline{OE}$ | $\overline{ON}$ |
| H      | H  | L               | L               |
| L      | H  | L               | H               |
| X      | X  | H               | Z               |

**NOTE:** 2564 tbl 01

- H = HIGH Voltage Level  
 L = LOW Voltage Level  
 X = Don't Care  
 Z = High Impedance

### FUNCTION TABLE (373 and 573)<sup>(1)</sup>

| Inputs |    |                 | Outputs |
|--------|----|-----------------|---------|
| DN     | LE | $\overline{OE}$ | ON      |
| H      | H  | L               | H       |
| L      | H  | L               | L       |
| X      | X  | H               | Z       |

**NOTE:** 2564 tbl 02

- H = HIGH Voltage Level  
 L = LOW Voltage Level  
 X = Don't Care  
 Z = High Impedance

### DEFINITION OF FUNCTIONAL TERMS

| Pin Names       | Description                      |
|-----------------|----------------------------------|
| DN              | Data Inputs                      |
| LE              | Latch Enable Input (Active HIGH) |
| $\overline{OE}$ | Output Enable Input (Active LOW) |
| ON              | 3-State Outputs                  |
| $\overline{ON}$ | Complementary 3-State Outputs    |

2564 tbl 03

### ABSOLUTE MAXIMUM RATINGS<sup>(1)</sup>

| Symbol                           | Rating                               | Commercial                   | Military                     | Unit |
|----------------------------------|--------------------------------------|------------------------------|------------------------------|------|
| V <sub>TERM</sub> <sup>(2)</sup> | Terminal Voltage with Respect to GND | -0.5 to +7.0                 | -0.5 to +7.0                 | V    |
| V <sub>TERM</sub> <sup>(3)</sup> | Terminal Voltage with Respect to GND | -0.5 to V <sub>CC</sub> +0.5 | -0.5 to V <sub>CC</sub> +0.5 | V    |
| T <sub>A</sub>                   | Operating Temperature                | 0 to +70                     | -55 to +125                  | °C   |
| T <sub>BIAS</sub>                | Temperature Under Bias               | -55 to +125                  | -65 to +135                  | °C   |
| T <sub>STG</sub>                 | Storage Temperature                  | -55 to +125                  | -65 to +150                  | °C   |
| P <sub>T</sub>                   | Power Dissipation                    | 0.5                          | 0.5                          | W    |
| I <sub>OUT</sub>                 | DC Output Current                    | -60 to +120                  | -60 to +120                  | mA   |

**NOTES:** 2564 lmk 04

- Stresses greater than those listed under ABSOLUTE MAXIMUM RATINGS may cause permanent damage to the device. This is a stress rating only and functional operation of the device at these or any other conditions above those indicated in the operational sections of this specification is not implied. Exposure to absolute maximum rating conditions for extended periods may affect reliability. No terminal voltage may exceed V<sub>CC</sub> by +0.5V unless otherwise noted.
- Input and V<sub>CC</sub> terminals only.
- Outputs and I/O terminals only.

### CAPACITANCE (T<sub>A</sub> = +25°C, f = 1.0MHz)

| Symbol           | Parameter <sup>(1)</sup> | Conditions            | Typ. | Max. | Unit |
|------------------|--------------------------|-----------------------|------|------|------|
| C <sub>IN</sub>  | Input Capacitance        | V <sub>IN</sub> = 0V  | 6    | 10   | pF   |
| C <sub>OUT</sub> | Output Capacitance       | V <sub>OUT</sub> = 0V | 8    | 12   | pF   |

**NOTE:** 2564 lmk 05

- This parameter is measured at characterization but not tested.

**DC ELECTRICAL CHARACTERISTICS OVER OPERATING RANGE**

Following Conditions Apply Unless Otherwise Specified:

Commercial:  $T_A = 0^\circ\text{C}$  to  $+70^\circ\text{C}$ ,  $V_{CC} = 5.0\text{V} \pm 5\%$ ; Military:  $T_A = -55^\circ\text{C}$  to  $+125^\circ\text{C}$ ,  $V_{CC} = 5.0\text{V} \pm 10\%$ 

| Symbol    | Parameter   | Test Conditions <sup>(1)</sup>                         |                     | Min. | Typ. <sup>(2)</sup> | Max.    | Unit          |
|-----------|---|--|---------------------|------|---------------------|---------|---------------|
| $V_{IH}$  | Input HIGH Level  | Guaranteed Logic HIGH Level                            |                     | 2.0  | —                   | —       | V             |
| $V_{IL}$  | Input LOW Level   | Guaranteed Logic LOW Level                             |                     | —    | —                   | 0.8     | V             |
| $I_{IH}$  | Input HIGH Current <sup>(4)</sup>                                     | $V_{CC} = \text{Max.}$                                 | $V_I = 2.7\text{V}$ | —    | —                   | $\pm 1$ | $\mu\text{A}$ |
| $I_{IL}$  | Input LOW Current <sup>(4)</sup>                                      |  | $V_I = 0.5\text{V}$ | —    | —                   | $\pm 1$ |               |
| $I_{OZH}$ | High Impedance Output Current<br>(3-State Output pins) <sup>(4)</sup> | $V_{CC} = \text{Max.}$                                 | $V_O = 2.7\text{V}$ | —    | —                   | $\pm 1$ | $\mu\text{A}$ |
| $I_{OZL}$ |   |  | $V_O = 0.5\text{V}$ | —    | —                   | $\pm 1$ |               |
| $I_I$     | Input HIGH Current <sup>(4)</sup>                                     | $V_{CC} = \text{Max.}, V_I = V_{CC} (\text{Max.})$     |                     | —    | —                   | $\pm 1$ | $\mu\text{A}$ |
| $V_{IK}$  | Clamp Diode Voltage   | $V_{CC} = \text{Min.}, I_{IN} = -18\text{mA}$          |                     | —    | -0.7                | -1.2    | V             |
| $V_H$     | Input Hysteresis  | —  |                     | —    | 200                 | —       | mV            |
| $I_{CC}$  | Quiescent Power Supply Current  | $V_{CC} = \text{Max.}, V_{IN} = \text{GND or } V_{CC}$ |                     | —    | 0.01                | 1       | mA            |

2564 Ink 06

**OUTPUT DRIVE CHARACTERISTICS FOR FCT373T/533T/573T**

| Symbol    | Parameter                                     | Test Conditions <sup>(1)</sup>                                 |  | Min. | Typ. <sup>(2)</sup> | Max.    | Unit          |
|-----------|---|--|--|------|---------------------|---------|---------------|
| $V_{OH}$  | Output HIGH Voltage                           | $V_{CC} = \text{Min.}$<br>$V_{IN} = V_{IH} \text{ or } V_{IL}$ | $I_{OH} = -6\text{mA MIL.}$<br>$I_{OH} = -8\text{mA COM'L.}$   | 2.4  | 3.3                 | —       | V             |
|           |   |  | $I_{OH} = -12\text{mA MIL.}$<br>$I_{OH} = -15\text{mA COM'L.}$ | 2.0  | 3.0                 | —       | V             |
| $V_{OL}$  | Output LOW Voltage                            | $V_{CC} = \text{Min.}$<br>$V_{IN} = V_{IH} \text{ or } V_{IL}$ | $I_{OL} = 32\text{mA MIL.}$<br>$I_{OL} = 48\text{mA COM'L.}$   | —    | 0.3                 | 0.5     | V             |
| $I_{OS}$  | Short Circuit Current                         | $V_{CC} = \text{Max.}, V_O = \text{GND}^{(3)}$                 |  | -60  | -120                | -225    | mA            |
| $I_{OFF}$ | Input/Output Power Off Leakage <sup>(5)</sup> | $V_{CC} = 0\text{V}, V_{IN} \text{ or } V_O \leq 4.5\text{V}$  |  | —    | —                   | $\pm 1$ | $\mu\text{A}$ |

2564 Ink 07

**OUTPUT DRIVE CHARACTERISTICS FOR FCT2373T/2573T**

| Symbol    | Parameter           | Test Conditions <sup>(1)</sup>  |  | Min. | Typ. <sup>(2)</sup> | Max. | Unit |
|-----------|---------------------|---|--|------|---------------------|------|------|
| $I_{ODL}$ | Output LOW Current  | $V_{CC} = 5\text{V}, V_{IN} = V_{IH} \text{ or } V_{IL}, V_{OUT} = 1.5\text{V}^{(3)}$ |  | 16   | 48                  | —    | mA   |
| $I_{ODH}$ | Output HIGH Current | $V_{CC} = 5\text{V}, V_{IN} = V_{IH} \text{ or } V_{IL}, V_{OUT} = 1.5\text{V}^{(3)}$ |  | -16  | -48                 | —    | mA   |
| $V_{OH}$  | Output HIGH Voltage | $V_{CC} = \text{Min.}$<br>$V_{IN} = V_{IH} \text{ or } V_{IL}$                        | $I_{OH} = -12\text{mA MIL.}$<br>$I_{OH} = -15\text{mA COM'L.}$ | 2.4  | 3.3                 | —    | V    |
| $V_{OL}$  | Output LOW Voltage  | $V_{CC} = \text{Min.}$<br>$V_{IN} = V_{IH} \text{ or } V_{IL}$                        | $I_{OL} = 12\text{mA}$   | —    | 0.3                 | 0.50 | V    |

2564 Ink 08

**NOTES:**

- For conditions shown as Max. or Min., use appropriate value specified under Electrical Characteristics for the applicable device type.
- Typical values are at  $V_{CC} = 5.0\text{V}$ ,  $+25^\circ\text{C}$  ambient.
- Not more than one output should be shorted at one time. Duration of the short circuit test should not exceed one second.
- The test limit for this parameter is  $\pm 5\mu\text{A}$  at  $T_A = -55^\circ\text{C}$ .
- This parameter is guaranteed but not tested.

## POWER SUPPLY CHARACTERISTICS

| Symbol          | Parameter   | Test Conditions <sup>(1)</sup>  |  |          | Min. | Typ. <sup>(2)</sup> | Max.               | Unit       |
|-----------------|---|---|--|----------|------|---------------------|--------------------|------------|
| $\Delta I_{CC}$ | Quiescent Power Supply Current<br>TTL Inputs HIGH | $V_{CC} = \text{Max.}$<br>$V_{IN} = 3.4V^{(3)}$   |  |          | —    | 0.5                 | 2.0                | mA         |
| $I_{CCD}$       | Dynamic Power Supply Current <sup>(4)</sup>       | $V_{CC} = \text{Max.}$<br>Outputs Open<br>$\overline{OE} = \text{GND}$<br>One Input Toggling<br>50% Duty Cycle  | $V_{IN} = V_{CC}$<br>$V_{IN} = \text{GND}$ | FCTxxxT  | —    | 0.15                | 0.25               | mA/<br>MHz |
|                 |   |   |  | FCT2xxxT | —    | 0.06                | 0.12               |            |
| $I_C$           | Total Power Supply Current <sup>(6)</sup>         | $V_{CC} = \text{Max.}$<br>Outputs Open<br>$f_i = 10\text{MHz}$<br>50% Duty Cycle<br>$\overline{OE} = \text{GND}$<br>$LE = V_{CC}$<br>One Bit Toggling | $V_{IN} = V_{CC}$<br>$V_{IN} = \text{GND}$ | FCTxxxT  | —    | 1.5                 | 3.5                | mA         |
|                 |   |   |  | FCT2xxxT | —    | 0.6                 | 2.2                |            |
|                 |   |   | $V_{IN} = 3.4$<br>$V_{IN} = \text{GND}$    | FCTxxxT  | —    | 1.8                 | 4.5                |            |
|                 |   |   |  | FCT2xxxT |      | 0.9                 | 3.2                |            |
|                 |   |   | $V_{IN} = V_{CC}$<br>$V_{IN} = \text{GND}$ | FCTxxxT  | —    | 3.0                 | 6.0 <sup>(5)</sup> |            |
|                 |   |   |  | FCT2xxxT | —    | 1.2                 | 3.4 <sup>(5)</sup> |            |
|                 |   | $V_{IN} = 3.4$<br>$V_{IN} = \text{GND}$   | FCTxxxT                                    | —        | 5.0  | 14.0 <sup>(5)</sup> |                    |            |
|                 |   |   | FCT2xxxT                                   | —        | 3.2  | 11.4 <sup>(5)</sup> |                    |            |

### NOTES:

- For conditions shown as Max. or Min., use appropriate value specified under Electrical Characteristics for the applicable device type.
- Typical values are at  $V_{CC} = 5.0V$ ,  $+25^\circ\text{C}$  ambient.
- Per TTL driven input ( $V_{IN} = 3.4V$ ). All other inputs at  $V_{CC}$  or  $\text{GND}$ .
- This parameter is not directly testable, but is derived for use in Total Power Supply Calculations.
- Values for these conditions are examples of the  $I_C$  formula. These limits are guaranteed but not tested.
- $I_C = I_{\text{QUIESCENT}} + I_{\text{INPUTS}} + I_{\text{DYNAMIC}}$   
 $I_C = I_{CC} + \Delta I_{CC} D_H N_T + I_{CCD} (f_{CP}/2 + f_i N_i)$   
 $I_{CC}$  = Quiescent Current  
 $\Delta I_{CC}$  = Power Supply Current for a TTL High Input ( $V_{IN} = 3.4V$ )  
 $D_H$  = Duty Cycle for TTL Inputs High  
 $N_T$  = Number of TTL Inputs at  $D_H$   
 $I_{CCD}$  = Dynamic Current Caused by an Input Transition Pair (HLH or LHL)  
 $f_{CP}$  = Clock Frequency for Register Devices (Zero for Non-Register Devices)  
 $f_i$  = Input Frequency  
 $N_i$  = Number of Inputs at  $f_i$   
 All currents are in milliamps and all frequencies are in megahertz.

2564 tbl 09

### SWITCHING CHARACTERISTICS OVER OPERATING RANGE

| Symbol       | Parameter                            | Conditions <sup>(1)</sup> | FCT373T/2373T/573T/2573T |      |                     |      | FCT373AT/2373AT/573AT/2573AT |      |                     |      | Unit |
|--------------|--------------------------------------|---------------------------|--------------------------|------|---------------------|------|------------------------------|------|---------------------|------|------|
|              |                                      |                           | Com'l.                   |      | Mil.                |      | Com'l.                       |      | Mil.                |      |      |
|              |                                      |                           | Min. <sup>(2)</sup>      | Max. | Min. <sup>(2)</sup> | Max. | Min. <sup>(2)</sup>          | Max. | Min. <sup>(2)</sup> | Max. |      |
| tPLH<br>tPHL | Propagation Delay<br>DN to ON        | CL = 50pF<br>RL = 500Ω    | 1.5                      | 8.0  | 1.5                 | 8.5  | 1.5                          | 5.2  | 1.5                 | 5.6  | ns   |
| tPLH<br>tPHL | Propagation Delay<br>LE to ON        |                           | 2.0                      | 13.0 | 2.0                 | 15.0 | 2.0                          | 8.5  | 2.0                 | 9.8  | ns   |
| tPZH<br>tPZL | Output Enable Time                   |                           | 1.5                      | 12.0 | 1.5                 | 13.5 | 1.5                          | 6.5  | 1.5                 | 7.5  | ns   |
| tPHZ<br>tPLZ | Output Disable Time                  |                           | 1.5                      | 7.5  | 1.5                 | 10.0 | 1.5                          | 5.5  | 1.5                 | 6.5  | ns   |
| tsu          | Set-up Time HIGH<br>or LOW, DN to LE |                           | 2.0                      | —    | 2.0                 | —    | 2.0                          | —    | 2.0                 | —    | ns   |
| th           | Hold Time HIGH<br>or LOW, DN to LE   |                           | 1.5                      | —    | 1.5                 | —    | 1.5                          | —    | 1.5                 | —    | ns   |
| tw           | LE Pulse Width HIGH                  |                           | 6.0                      | —    | 6.0                 | —    | 5.0                          | —    | 6.0                 | —    | ns   |

2564 tbl 10

| Symbol       | Parameter                            | Conditions <sup>(1)</sup> | FCT373CT/2373CT/573CT/2573CT |      |                     |      | FCT373DT/573DT      |      |                     |      | Unit |
|--------------|--------------------------------------|---------------------------|------------------------------|------|---------------------|------|---------------------|------|---------------------|------|------|
|              |                                      |                           | Com'l.                       |      | Mil.                |      | Com'l.              |      | Mil.                |      |      |
|              |                                      |                           | Min. <sup>(2)</sup>          | Max. | Min. <sup>(2)</sup> | Max. | Min. <sup>(2)</sup> | Max. | Min. <sup>(2)</sup> | Max. |      |
| tPLH<br>tPHL | Propagation Delay<br>DN to ON        | CL = 50pF<br>RL = 500Ω    | 1.5                          | 4.2  | 1.5                 | 5.1  | 1.5                 | 3.8  | —                   | —    | ns   |
| tPLH<br>tPHL | Propagation Delay<br>LE to ON        |                           | 2.0                          | 5.5  | 2.0                 | 8.0  | 2.0                 | 4.0  | —                   | —    | ns   |
| tPZH<br>tPZL | Output Enable Time                   |                           | 1.5                          | 5.5  | 1.5                 | 6.3  | 1.5                 | 4.8  | —                   | —    | ns   |
| tPHZ<br>tPLZ | Output Disable Time                  |                           | 1.5                          | 5.0  | 1.5                 | 5.9  | 1.5                 | 4.0  | —                   | —    | ns   |
| tsu          | Set-up Time HIGH<br>or LOW, DN to LE |                           | 2.0                          | —    | 2.0                 | —    | 1.5                 | —    | —                   | —    | ns   |
| th           | Hold Time HIGH<br>or LOW, DN to LE   |                           | 1.5                          | —    | 1.5                 | —    | 1.0                 | —    | —                   | —    | ns   |
| tw           | LE Pulse Width HIGH <sup>(3)</sup>   |                           | 5.0                          | —    | 6.0                 | —    | 3.0                 | —    | —                   | —    | ns   |

2564 tbl 11

| Symbol       | Parameter   | Conditions <sup>(1)</sup> | FCT533T             |      |                     |      | FCT533AT            |      |                     |      | FCT533CT            |      |                     |      | Unit |
|--------------|---|---------------------------|---------------------|------|---------------------|------|---------------------|------|---------------------|------|---------------------|------|---------------------|------|------|
|              |   |                           | Com'l.              |      | Mil.                |      | Com'l.              |      | Mil.                |      | Com'l.              |      | Mil.                |      |      |
|              |   |                           | Min. <sup>(2)</sup> | Max. | Min. <sup>(2)</sup> | Max. | Min. <sup>(2)</sup> | Max. | Min. <sup>(2)</sup> | Max. | Min. <sup>(2)</sup> | Max. | Min. <sup>(2)</sup> | Max. |      |
| tPLH<br>tPHL | Propagation Delay<br>DN to $\overline{\text{ON}}$ | CL = 50pF<br>RL = 500Ω    | 1.5                 | 10.0 | 1.5                 | 12.0 | 1.5                 | 5.2  | 1.5                 | 5.6  | 1.5                 | 4.2  | 1.5                 | 5.1  | ns   |
| tPLH<br>tPHL | Propagation Delay<br>LE to $\overline{\text{ON}}$ |                           | 2.0                 | 13.0 | 2.0                 | 14.0 | 2.0                 | 8.5  | 2.0                 | 9.8  | 2.0                 | 5.5  | 2.0                 | 8.0  | ns   |
| tPZH<br>tPZL | Output Enable<br>Time                             |                           | 1.5                 | 11.0 | 1.5                 | 12.5 | 1.5                 | 6.5  | 1.5                 | 7.5  | 1.5                 | 5.5  | 1.5                 | 6.3  | ns   |
| tPHZ<br>tPLZ | Output Disable<br>Time                            |                           | 1.5                 | 7.0  | 1.5                 | 8.5  | 1.5                 | 5.5  | 1.5                 | 6.5  | 1.5                 | 5.0  | 1.5                 | 5.9  | ns   |
| tsu          | Set-up Time HIGH<br>or LOW, DN to LE              |                           | 2.0                 | —    | 2.0                 | —    | 2.0                 | —    | 2.0                 | —    | 2.0                 | —    | 2.0                 | —    | ns   |
| th           | Hold Time HIGH<br>or LOW, DN to LE                |                           | 1.5                 | —    | 1.5                 | —    | 1.5                 | —    | 1.5                 | —    | 1.5                 | —    | 1.5                 | —    | ns   |
| tw           | LE Pulse Width HIGH                               |                           | 6.0                 | —    | 6.0                 | —    | 5.0                 | —    | 6.0                 | —    | 5.0                 | —    | 6.0                 | —    | ns   |

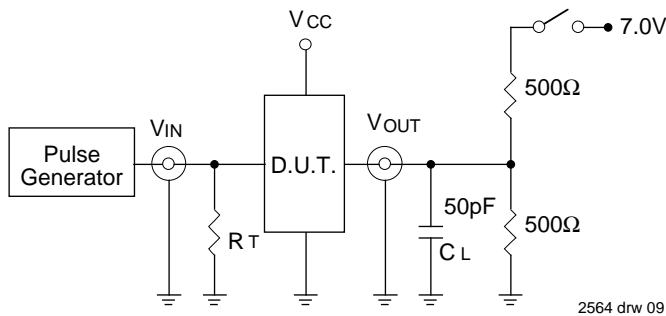
**NOTES:**

- See test circuit and waveforms.
- Minimum limits are guaranteed but not tested on Propagation Delays.
- This parameter is guaranteed but not tested.

2564 tbl 12

## TEST CIRCUITS AND WAVEFORMS

### TEST CIRCUITS FOR ALL OUTPUTS



### SWITCH POSITION

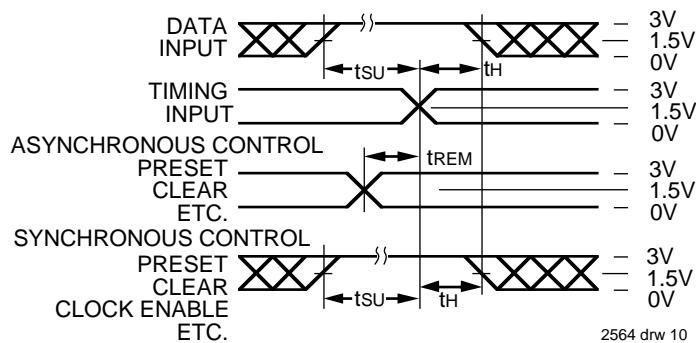
| Test                                    | Switch |
|---|--------|
| Open Drain<br>Disable Low<br>Enable Low | Closed |
| All Other Tests                         | Open   |

#### DEFINITIONS:

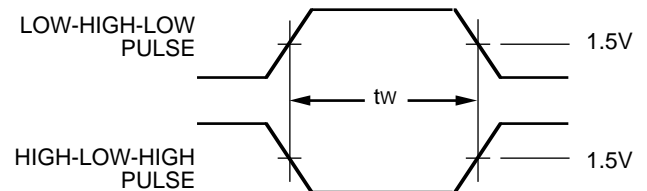
CL = Load capacitance: includes jig and probe capacitance.  
 RT = Termination resistance: should be equal to ZOUT of the Pulse Generator.

2564 Ink 13

### SET-UP, HOLD AND RELEASE TIMES

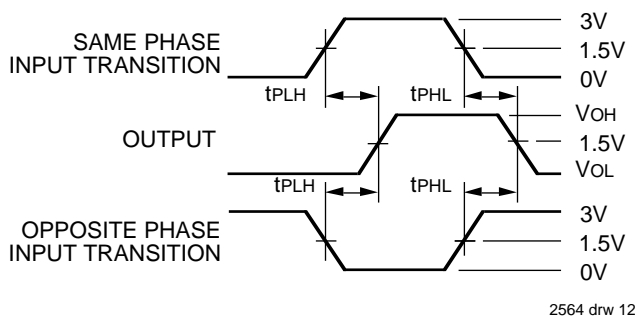


### PULSE WIDTH

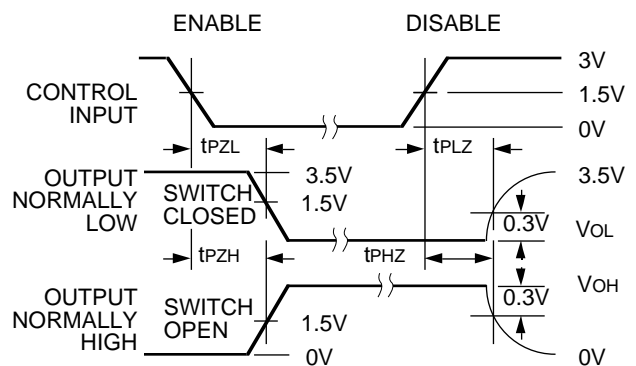


2564 drw 11

### PROPAGATION DELAY



### ENABLE AND DISABLE TIMES



2564 drw 13

#### NOTES:

- Diagram shown for input Control Enable-LOW and input Control Disable-HIGH
- Pulse Generator for All Pulses: Rate  $\leq 1.0\text{MHz}$ ;  $t_f \leq 2.5\text{ns}$ ;  $t_r \leq 2.5\text{ns}$

## ORDERING INFORMATION

| IDT | XX<br>Temp. Range | FCT | X<br>Family | XXXX<br>Device Type | X<br>Package | X<br>Process |                                       |
|-----|-------------------|-----|-------------|---------------------|--------------|--------------|---------------------------------------|
|     |                   |     |             |                     |              | Blank        | Commercial                            |
|     |                   |     |             |                     |              | B            | MIL-STD-883, Class B                  |
|     |                   |     |             |                     |              | P            | Plastic DIP                           |
|     |                   |     |             |                     |              | D            | CERDIP                                |
|     |                   |     |             |                     |              | SO           | Small Outline IC                      |
|     |                   |     |             |                     |              | L            | Leadless Chip Carrier                 |
|     |                   |     |             |                     |              | E            | CERPACK                               |
|     |                   |     |             |                     |              | PY           | Shrink Small Outline Package          |
|     |                   |     |             |                     |              | Q            | Quarter-size Small Outline Package    |
|     |                   |     |             |                     |              | 373T         | Non-Inverting Octal Transparent Latch |
|     |                   |     |             |                     |              | 573T         | Non-Inverting Octal Transparent Latch |
|     |                   |     |             |                     |              | 533T         | Inverting Octal Transparent Latch     |
|     |                   |     |             |                     |              | 373AT        |                                       |
|     |                   |     |             |                     |              | 573AT        |                                       |
|     |                   |     |             |                     |              | 533AT        |                                       |
|     |                   |     |             |                     |              | 373CT        |                                       |
|     |                   |     |             |                     |              | 573CT        |                                       |
|     |                   |     |             |                     |              | 533CT        |                                       |
|     |                   |     |             |                     |              | 373DT        |                                       |
|     |                   |     |             |                     |              | 573DT        |                                       |
|     |                   |     |             |                     |              | Blank        | High Drive                            |
|     |                   |     |             |                     |              | 2            | Balanced Drive                        |
|     |                   |     |             |                     |              | 54           | -55°C to +125°C                       |
|     |                   |     |             |                     |              | 74           | 0°C to +70°C                          |

2564 drw 14





**Стандарт  
Электрон  
Связь**

Мы молодая и активно развивающаяся компания в области поставок электронных компонентов. Мы поставляем электронные компоненты отечественного и импортного производства напрямую от производителей и с крупнейших складов мира.

Благодаря сотрудничеству с мировыми поставщиками мы осуществляем комплексные и плановые поставки широчайшего спектра электронных компонентов.

Собственная эффективная логистика и склад в обеспечивает надежную поставку продукции в точно указанные сроки по всей России.

Мы осуществляем техническую поддержку нашим клиентам и предпродажную проверку качества продукции. На все поставляемые продукты мы предоставляем гарантию .

Осуществляем поставки продукции под контролем ВП МО РФ на предприятия военно-промышленного комплекса России , а также работаем в рамках 275 ФЗ с открытием отдельных счетов в уполномоченном банке. Система менеджмента качества компании соответствует требованиям ГОСТ ISO 9001.

Минимальные сроки поставки, гибкие цены, неограниченный ассортимент и индивидуальный подход к клиентам являются основой для выстраивания долгосрочного и эффективного сотрудничества с предприятиями радиоэлектронной промышленности, предприятиями ВПК и научно-исследовательскими институтами России.

С нами вы становитесь еще успешнее!

**Наши контакты:**

**Телефон:** +7 812 627 14 35

**Электронная почта:** [sales@st-electron.ru](mailto:sales@st-electron.ru)

**Адрес:** 198099, Санкт-Петербург,  
Промышленная ул, дом № 19, литера Н,  
помещение 100-Н Офис 331