



**SERIES:** SWI24-E | **DESCRIPTION:** AC-DC POWER SUPPLY

**FEATURES**

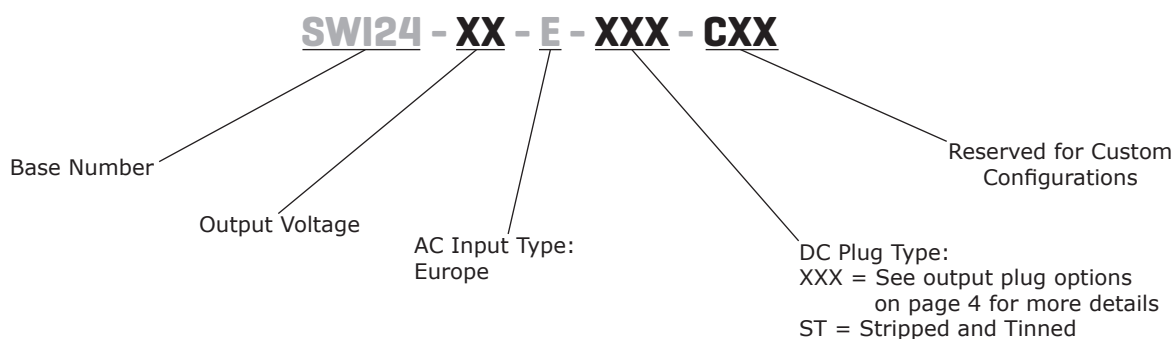
- up to 24 W continuous power
- DoE Level VI, CoC Tier 2 efficiency
- no load power consumption < 0.075 W
- compact size
- universal input voltage range
- over voltage, over current, and short circuit protections
- CE safety approvals



| MODEL      | output voltage | output current max | output power max | ripple and noise <sup>1</sup> max | efficiency level <sup>2</sup> |
|------------|----------------|--------------------|------------------|-----------------------------------|-------------------------------|
|            | (Vdc)          | (A)                | (W)              | (mVp-p)                           |                               |
| SWI24-12-E | 12             | 2                  | 24               | 120                               | VI                            |
| SWI24-15-E | 15             | 1.6                | 24               | 150                               | VI                            |
| SWI24-24-E | 24             | 1                  | 24               | 240                               | VI                            |

Notes: 1. At full load, nominal input, 20 MHz bandwidth oscilloscope, each output terminated with 0.1 µF multilayer ceramic and 10 µF low ESR electrolytic capacitors.  
 2. CoC Tier 2 compliant

**PART NUMBER KEY**



**INPUT**

| parameter                 | conditions/description   | min | typ | max          | units  |
|---------------------------|--|-----|-----|--------------|--------|
| voltage                   |  | 90  |     | 264          | Vac    |
| frequency                 |  | 47  |     | 63           | Hz     |
| current                   |  |     |     | 0.58         | A      |
| inrush current            | at 100 Vac, full load, 25°C, cold start<br>at 230 Vac, full load, 25°C, cold start |     |     | 50<br>60     | A<br>A |
| leakage current           |  |     |     | 0.25         | mA     |
| no load power consumption | at 230 Vac<br>Level VI<br>CoC Tier 2   |     |     | 0.1<br>0.075 | W<br>W |

**OUTPUT**

| parameter    | conditions/description | min | typ | max | units |
|--------------|------------------------|-----|-----|-----|-------|
| regulation   |                        |     | ±5  |     | %     |
| hold-up time | at full load           | 10  |     |     | ms    |

**PROTECTIONS**

| parameter                | conditions/description   | min | typ | max            | units             |
|--------------------------|--|-----|-----|----------------|-------------------|
| over voltage protection  | output shut down<br>12 Vdc output model<br>15 Vdc output model<br>24 Vdc output model                |     |     | 22<br>32<br>45 | Vdc<br>Vdc<br>Vdc |
| over current protection  | output shut down, auto recovery<br>12 Vdc output model<br>15 Vdc output model<br>24 Vdc output model |     |     | 5<br>4<br>2.5  | A<br>A<br>A       |
| short circuit protection | output shut down, auto recovery  |     |     |                |                   |

**SAFETY & COMPLIANCE**

| parameter            | conditions/description                | min     | typ   | max | units |
|----------------------|---------------------------------------|---------|-------|-----|-------|
| isolation voltage    | input to output at 10 mA for 1 minute |         | 3,000 |     | Vac   |
| isolation resistance | input to output at 500 Vdc            | 10      |       |     | MΩ    |
| EMI/EMC              | CE                                    |         |       |     |       |
| MTBF                 | as per Telcordia SR-332, 25°C         | 300,000 |       |     | hours |
| RoHS                 | 2011/65/EU                            |         |       |     |       |

**ENVIRONMENTAL**

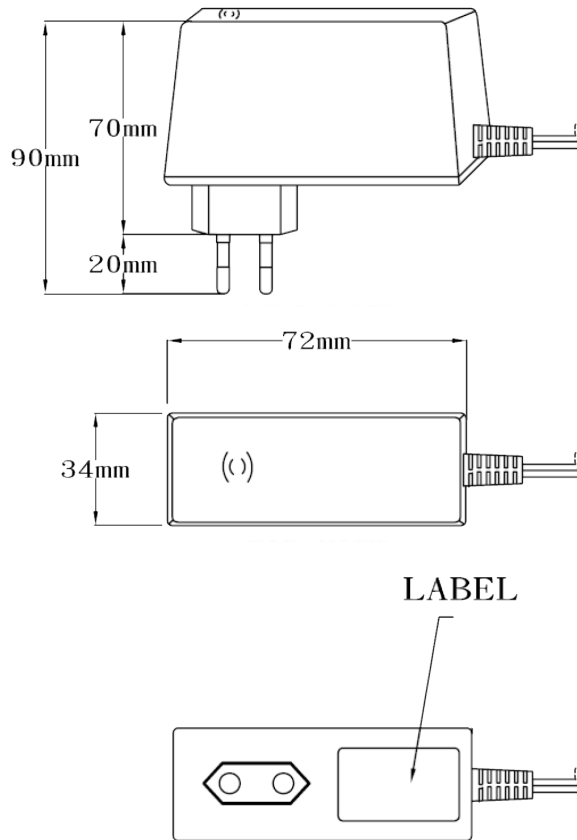
| parameter             | conditions/description | min | typ | max | units |
|-----------------------|------------------------|-----|-----|-----|-------|
| operating temperature |                        | 0   |     | 40  | °C    |
| storage temperature   |                        | -20 |     | 80  | °C    |
| operating humidity    | non-condensing         | 20  |     | 80  | %     |
| storage humidity      | non-condensing         | 10  |     | 90  | %     |

## MECHANICAL

| parameter  | conditions/description | min | typ | max | units |
|------------|------------------------|-----|-----|-----|-------|
| dimensions | 72 x 34 x 90           |     |     |     | mm    |
| inlet plug | Europe                 |     |     |     |       |
| weight     |                        |     | 170 |     | g     |

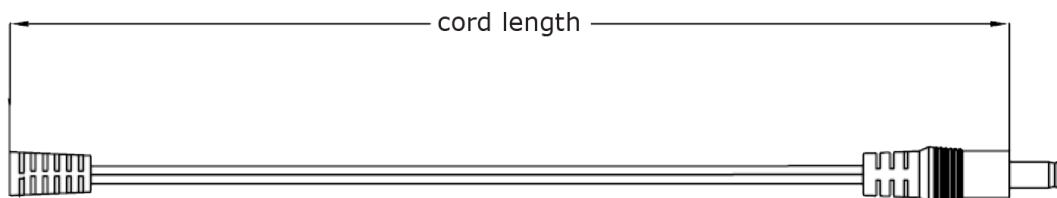
## MECHANICAL DRAWING

units: mm



## DC CORD

units: mm

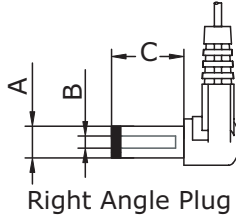
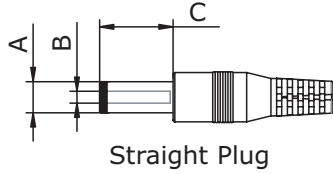


**Table 1**

| MODEL NO.  | CABLE          | CORD LENGTH  |
|------------|----------------|--------------|
| SWI24-12-E | UL2468, 20 AWG | 1,500 mm ±30 |
| SWI24-15-E | UL2468, 20 AWG | 1,500 mm ±30 |
| SWI24-24-E | UL2468, 22 AWG | 1,500 mm ±30 |

## OUTPUT PLUG OPTIONS

### Standard DC Plug



| Size | A   | B    | C   | Unit |
|------|-----|------|-----|------|
| 5    | 5.5 | 2.1  | 9.5 | mm   |
| 6    | 5.5 | 2.5  | 9.5 | mm   |
| 7    | 3.5 | 1.35 | 9.5 | mm   |
| 8    | 3.8 | 1.35 | 9.5 | mm   |
| 9    | 3.8 | 1.05 | 9.5 | mm   |

### Locking DC Plug



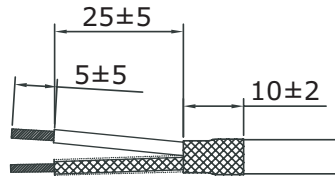
| Size | A   | B   | C   | Unit |
|------|-----|-----|-----|------|
| 10   | 5.5 | 2.1 | 9.5 | mm   |
| 11   | 5.5 | 2.5 | 9.5 | mm   |

### EIAJ DC Plug



| Size | EIAJ   | A    | B   | C   | Unit |
|------|--------|------|-----|-----|------|
| 12   | EIAJ-1 | 2.35 | 0.7 | 9.5 | mm   |
| 13   | EIAJ-2 | 4.0  | 1.7 | 9.5 | mm   |
| 14   | EIAJ-3 | 4.75 | 1.7 | 9.5 | mm   |

### Stripped and Tinned



### DC Plug Type



\*Contact CUI for additional plug options

## REVISION HISTORY

---

| rev. | description       | date       |
|------|-------------------|------------|
| 1.0  | initial release   | 08/07/2015 |
| 1.01 | updated datasheet | 09/15/2016 |

The revision history provided is for informational purposes only and is believed to be accurate.

**CUI INC**<sup>®</sup>

**Headquarters**  
20050 SW 112th Ave.  
Tualatin, OR 97062  
**800.275.4899**

Fax 503.612.2383  
**cui.com**  
techsupport@cui.com

This device complies with part 15 of the FCC Rules. Operation is subject to the following two conditions:

- (1) This device may not cause harmful interference, and
- (2) this device must accept any interference received, including interference that may cause undesired operation.

CUI offers a one (1) year limited warranty. Complete warranty information is listed on our website.

CUI reserves the right to make changes to the product at any time without notice. Information provided by CUI is believed to be accurate and reliable. However, no responsibility is assumed by CUI for its use, nor for any infringements of patents or other rights of third parties which may result from its use.

CUI products are not authorized or warranted for use as critical components in equipment that requires an extremely high level of reliability. A critical component is any component of a life support device or system whose failure to perform can be reasonably expected to cause the failure of the life support device or system, or to affect its safety or effectiveness.



## Стандарт Электрон Связь

Мы молодая и активно развивающаяся компания в области поставок электронных компонентов. Мы поставляем электронные компоненты отечественного и импортного производства напрямую от производителей и с крупнейших складов мира.

Благодаря сотрудничеству с мировыми поставщиками мы осуществляем комплексные и плановые поставки широчайшего спектра электронных компонентов.

Собственная эффективная логистика и склад в обеспечивает надежную поставку продукции в точно указанные сроки по всей России.

Мы осуществляем техническую поддержку нашим клиентам и предпродажную проверку качества продукции. На все поставляемые продукты мы предоставляем гарантию .

Осуществляем поставки продукции под контролем ВП МО РФ на предприятия военно-промышленного комплекса России , а также работаем в рамках 275 ФЗ с открытием отдельных счетов в уполномоченном банке. Система менеджмента качества компании соответствует требованиям ГОСТ ISO 9001.

Минимальные сроки поставки, гибкие цены, неограниченный ассортимент и индивидуальный подход к клиентам являются основой для выстраивания долгосрочного и эффективного сотрудничества с предприятиями радиоэлектронной промышленности, предприятиями ВПК и научно-исследовательскими институтами России.

С нами вы становитесь еще успешнее!

### Наши контакты:

**Телефон:** +7 812 627 14 35

**Электронная почта:** [sales@st-electron.ru](mailto:sales@st-electron.ru)

**Адрес:** 198099, Санкт-Петербург,  
Промышленная ул, дом № 19, литера Н,  
помещение 100-Н Офис 331