



OM-O2S / OM-O2SP

Onion Omega2S IoT compute modules

Data Sheet

Version 1.7

Table of Contents

1. Overview	4
1.1 Key Features	6
1.2 Variants	7
1.3 Block Diagram	8
2. Features	9
2.1 CPU	9
2.2 Memory	9
2.3 Flash	9
2.4 WiFi	9
2.4.1 Antenna Interfaces	9
2.5 Interfaces	10
2.5.1 USB	10
2.5.2 SPI	10
2.5.3 I2C	10
2.5.4 I2S	10
2.5.4.1 Features	10
2.5.5 SDIO/eMMC	11
2.5.6 Ethernet	11
2.5.7 UART	11
2.5.7.1 Features	11
2.5.8 PWM	11
2.5.9 GPIO	11
3. Pin Definition	12
3.1 Pin Assignment	12
3.2 Pin Multiplexing Diagram	16
3.3 Special Pins	17
3.3.1 - System Boot Pins	17
3.3.2 - SPI Pins	17
3.3.3 - Reset Pins	18
3.3.4 - Power Supply Pins	18
3.3.4.1 - VDD_Flash Pin	19
4. Electrical Specifications	20
4.1 Absolute Maximum Ratings	20
4.2 Operating Conditions	20
4.3 Power Consumption	21

5. Mechanical Specifications	22
5.1 Mechanical Drawing	22
5.2 Recommended PCB Footprint	23
5.3 Packaging Details	24
5.3.1 Carrier Tape Specifications	24
5.3.2 Surface Mount Reel Specifications	25
5.3.3 Additional Notes and Tolerances	26
6. Reflow Soldering	27
7. Additional Resources	28
7.1 Omega2S Reference Design Schematics	28
7.2 Omega2 Online Documentation	28
8. Datasheet Revision History	29

1. Overview

The Onion Omega2S is a Wi-Fi enabled, Linux compute module, designed specifically for IoT applications. It provides a drop-in, low-power solution ideal for building IoT hubs and devices.

The module measures 34x20x2.8 mm and features a MIPS 24KEc processor running at 580 MHz, built-in DDR2 DRAM, flash storage, and a 2.4 GHz 802.11b/g/n Wi-Fi radio. It supports a wide variety of I/O protocols, with 42 pins available to the developer. The module is self-contained and only requires a power supply and an external WiFi antenna to operate.

By virtue of the Linux operating system, developers can create their own applications using a programming language of their choice, and make use of existing network stacks and a rich set of software packages to implement their desired software functionality.

Key highlights:

- Drop-in Wi-Fi enabled Linux compute module for IoT applications
- Dual mode 2.4 GHz 802.11 b/g/n Wi-Fi - simultaneously host a WiFi access point and connect to existing WiFi networks
- CPU, memory, and flash storage are built-in - Only requires external antenna
- Runs OpenWRT Linux operating system out of the box
- Features USB, SD/eMMC storage support, ethernet, 3x UARTs, I2C, SPI, GPIOs interfaces
- FCC and CE certified

Highlights on the software and operating system:

- The operating system is based on the OpenWRT Linux distribution
 - Support for modern programming languages: Python (2.7 and 3.6), NodeJS (8.10), GoLang, C, C++, and others
- The default device operating system image includes:
 - Onion's enhanced WiFi driver
 - A package manager (opkg)
 - A lightweight web server (uhttpd) and an extendable Remote Procedure Call daemon (RPCD and ubus)
 - Utilities to control the GPIOs (gpioctl, fast-gpio) and pin multiplexing (omega2-ctrl)
 - The sysfs interface for programmatic control of the hardware interfaces
 - OnionOS, a web-based, graphical user interface for the Omega2 family

The build system for creating the operating system image and software packages is open source, so developers can create their own customized operating system images tailored to their needs. It can be found on GitHub: <https://github.com/OnionIoT/source>.

Additionally, the source code for many software packages created by Onion can be found on GitHub: <https://github.com/OnionIoT>

This includes the [Omega2 bootloader](#) source code.

Extensive documentation can be found online on the [Onion Docs site](#) that describes technical details, software usage, and more.

1.1 Key Features

CPU	
Chipset	MT7688AN
Architecture	MIPS24KEc
Clock Speed	580MHz

Memory	
Flash	16MB (OM-O2S) or 32MB (OM-O2SP)
DDR2 DRAM	64MB (OM-O2S) or 128MB (OM-O2SP)

WIFI	
WiFi Protocol	IEEE 802.11 b/g/n
Base Band	2.4GHz
Data Rate	150 Mbit/s
Channel Bandwidth	20/40 MHz
Operation Mode	AP, STA, AP&STA
Encryption Mode	WEP64/128, AES, WPA, WPA2, WAP

Interfaces	
Ethernet	1 (10M/100M)
USB 2.0 Host	1
SDXC/eMMC	1
SPI	1
I2C	1
I2S	1
UART	3
PWM	4
GPIO	Up to 30

Power Supply Requirement	
DC Input	3.3V
No-load Running Current	200±40mA

Peak Current Requirement	800mA
---------------------------------	-------

Operation Conditions

Ambient Temperature	-10°C ~ 55 °C
----------------------------	---------------

Storage Temperature	-20°C ~ 80° C
----------------------------	---------------

Operating Humidity	10%-95%RH (Non-Condensing)
---------------------------	----------------------------

Storage Humidity	5%-95%RH (Non-Condensing)
-------------------------	---------------------------

Physical Specifications

Dimensions	34*20*2.8mm
-------------------	-------------

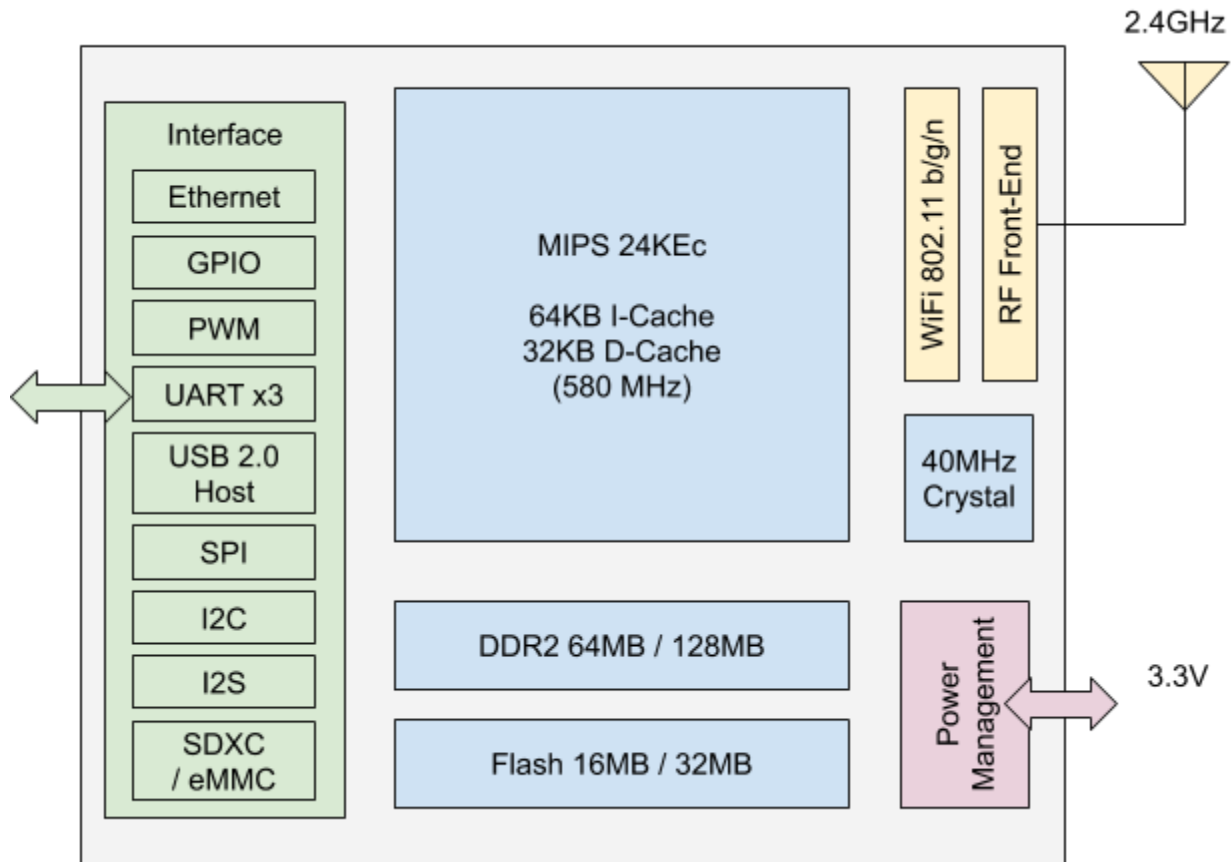
Packaging	Surface mount
------------------	---------------

Additional specifications and operating details for the microprocessor in the Omega2S can be found in the [Mediatek MT7688 Datasheet](#)

1.2 Variants

Model	Name	RAM	Flash	Packaging
OM-O2S	Omega2S	64 MB	16 MB	SMT
OM-O2SP	Omega2S+	128 MB	32 MB	SMT

1.3 Block Diagram



2. Features

2.1 CPU

The processor is based on the MIPS architecture, it is a MIPS 24KEc, little-endian, 32-bit RISC core that operates at 580 MHz with a 64 KB Instruction Cache and 32 KB Data Cache.

2.2 Memory

Features on-board 16-bit DDR2 DRAM memory operating at 400 MHz

- Omega2S features 64 MB memory
- Omega2S+ features 128 MB memory

2.3 Flash

Features on-board SPI flash storage that contains the bootloader, Linux OS, and WiFi calibration data.

- Omega2S features 24-bit addressed 16 MB flash storage
- Omega2S+ features 32-bit addressed 32 MB flash storage

2.4 WiFi

The Omega supports 2.4 GHz IEEE 802.11 b/g/n WiFi with a maximum 150 Mbps PHY data rate. The embedded RF front-end is 1T1R, meaning that it is used for both transmitting and receiving by virtue of time-multiplexing.

The Omega's WiFi interface can simultaneously host its own WiFi Access Point while connecting to another WiFi network.

2.4.1 Antenna Interfaces

The Omega2S supports on-board antennas as well as external antennas. On-board antennas, such as ceramic chip antennas or PCB trace antennas, need to be connected to pin 24. External antennas can be connected directly to the u.FL connector on the module.

Note 1: Only one of pin 24 or the u.FL connector should be used in a design. If both pin 24 and the u.FL connector are connected to antennae, the transmission power will be split between the two.

2.5 Interfaces

Describing the interfaces available on the Omega2S modules.

2.5.1 USB

There is one (1) USB 2.0 host controller available on dedicated pins.

Note 1: A 5V power source needs to be supplied to the USB client device to properly operate.

Note 2: Special care needs to be taken to ensure the high-speed USB data lines are impedance matched when routing custom hardware with the Omega2S.

Note 3: Use of an ESD protection device is recommended.

2.5.2 SPI

One (1) SPI interface is available. The interface supports half-duplex transmissions and can operate in host-mode only. The maximum SPI clock frequency is 40 MHz.

The SPI interface features two Chip Select signals. The processor communicates with the on-board flash storage using the SPI protocol. The flash storage occupies SPI Chip Select 0, external devices can be connected to SPI Chip Select 1.

Note: External devices connected to the SPI bus can affect the boot sequence under certain conditions. See section [3.3.2 - SPI Pins](#) for details.

2.5.3 I2C

There is one (1) I2C controller available. The interface can operate in host-mode only. Standard (100kbps) and fast mode (400kbps) are supported. The I2C logic level is 3.3V.

2.5.4 I2S

The Omega2S has one (1) I2S interface available.

The I2S interface consists of two separate cores, a transmitter and receiver. Both can operate in either master or slave mode.

2.5.4.1 Features

- I2S transmitter / receiver, configurable as master or slave
- As slave: 24-bit data, sampling rates up to 192 kHz
- As master: 16-bit data, sampling rates of 8 kHz, 16 kHz, 22.05 kHz, 44.1 kHz, and 48 kHz
- Stereo audio data transfer
- 32-byte FIFO for transmission
- GDMA access
- 12 Mhz bit clock from external source (when in slave mode)

2.5.5 SDIO/eMMC

There is a single SDIO interface. Only one of eMMC, SD/Micro-SD, or other SDIO device can be used. The SDIO interface supports the SDXC specification for SD cards, with a maximum capacity of 2 TB and a maximum transfer speed of 300 MB/s, and the eMMC5.1 interface for eMMC storage.

2.5.6 Ethernet

The Omega2 has a single 10/100M Ethernet integrated PHY.

It is recommended that typical ethernet magnetics be used, however for very short runs (<5m) a simpler approach using capacitive decoupling is possible. See the [Omega2S reference schematic](#) for details.

2.5.7 UART

There are three (3) 2-pin Serial UARTs available. The UART logic level is 3.3V. The default bootloader and operating system use UART0 to provide serial command line access.

Note: All three UARTs are UART Lite controllers that do not feature hardware flow control.

2.5.7.1 Features

- All standard baud rates up to 345,600 b/s
- 5-8 data bits
- 1-2 stop bits (1 or 2 stop bits are supported with 5 data bits)
- Even, odd, stick or no parity
- 16-byte receive buffer
- 16-byte transmit buffer
- Loopback control for link fault isolation

2.5.8 PWM

There are four (4) PWM channels available. The maximum PWM signal frequency is 40 MHz.

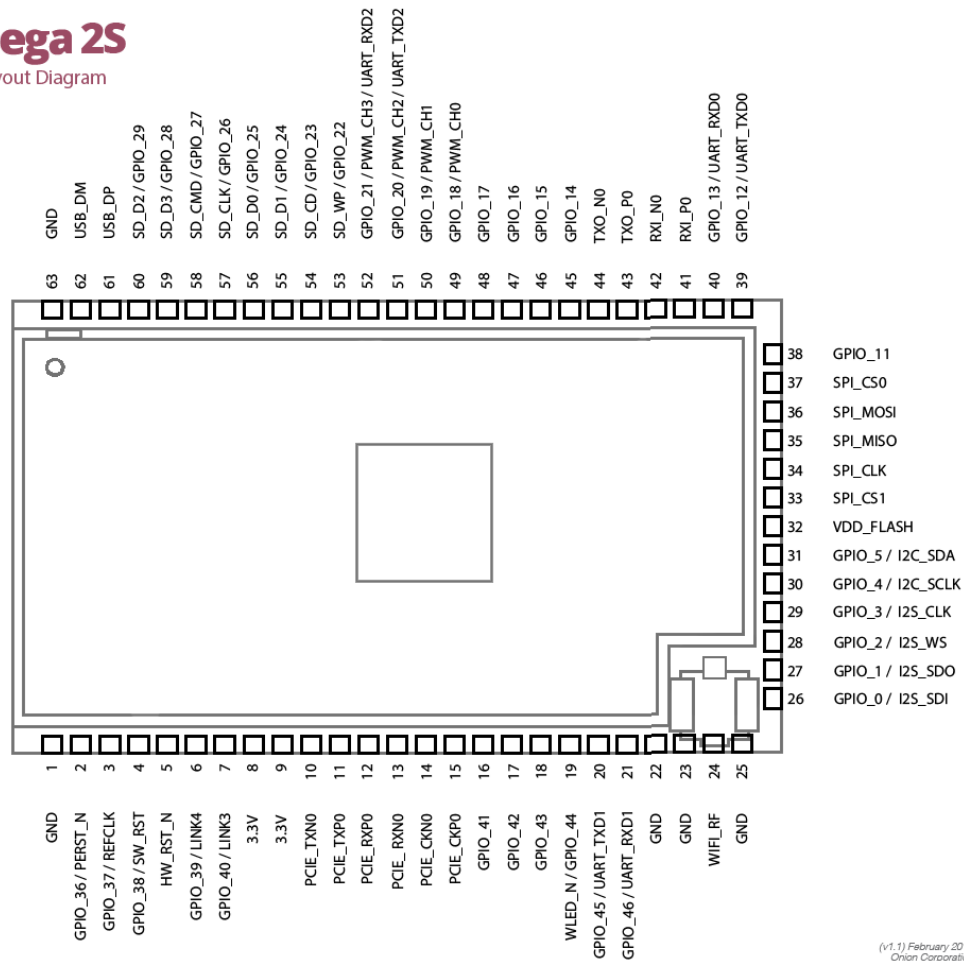
2.5.9 GPIO

Most pins on the module can be configured to operate as GPIO pins. The GPIO logic level is 3.3V and the pins can source or sink a maximum 8mA of current.

See the [pin assignment section](#) for details on GPIO capable pins.

3. Pin Definition

3.1 Pin Assignment



(v1.1) February 2019
Onion Corporation
<https://onion.io>

No	Name	I/O	Description
1	GND	I	Ground
2	GPIO_36 / PERST_N	I/O	General Purpose I/O / PCIe Device Reset - Active Low
3	GPIO_37 / REFCLK	I/O	General Purpose I/O / Reference Clock Output
4	GPIO_38 / SW_RST	I/O	General Purpose I/O / Default User Button - Programmed to trigger a reboot in Onion Firmware - Active High
5	HW_RST_N		Hardware Power On Reset - Active Low Performs hard reset (power-cycle) of the CPU
6	GPIO_39 / LINK4	I/O	General Purpose I/O
7	GPIO_40 / LINK3	I/O	General Purpose I/O
8	3.3V	I	3.3V Power Supply
9	3.3V	I	3.3V Power Supply
10	PCIE_TXN0		PCIe0 differential transmit TX -
11	PCIE_TXP0		PCIe0 differential transmit TX +
12	PCIE_RXP0		PCIe0 differential receive RX +
13	PCIE_RXN0		PCIe0 differential receive RX -
14	PCIE_CKN0	O	PCIe0 External reference clock output -
15	PCIE_CKPO	O	PCIe0 External reference clock output +
16	GPIO_41	I/O	General Purpose I/O
17	GPIO_42	I/O	General Purpose I/O
18	GPIO_43	I/O	General Purpose I/O
19	WLED_N / GPIO_44	O	WLAN Activity LED
20	GPIO_45 / UART_TXD1	I/O	General Purpose I/O / UART1 Lite TXD
21	GPIO_46 / UART_RXD1	I/O	General Purpose I/O / UART1 Lite RXD
22	GND	I	Ground pin
23	GND	I	Ground pin
24	WIFI_RF	O	RF output

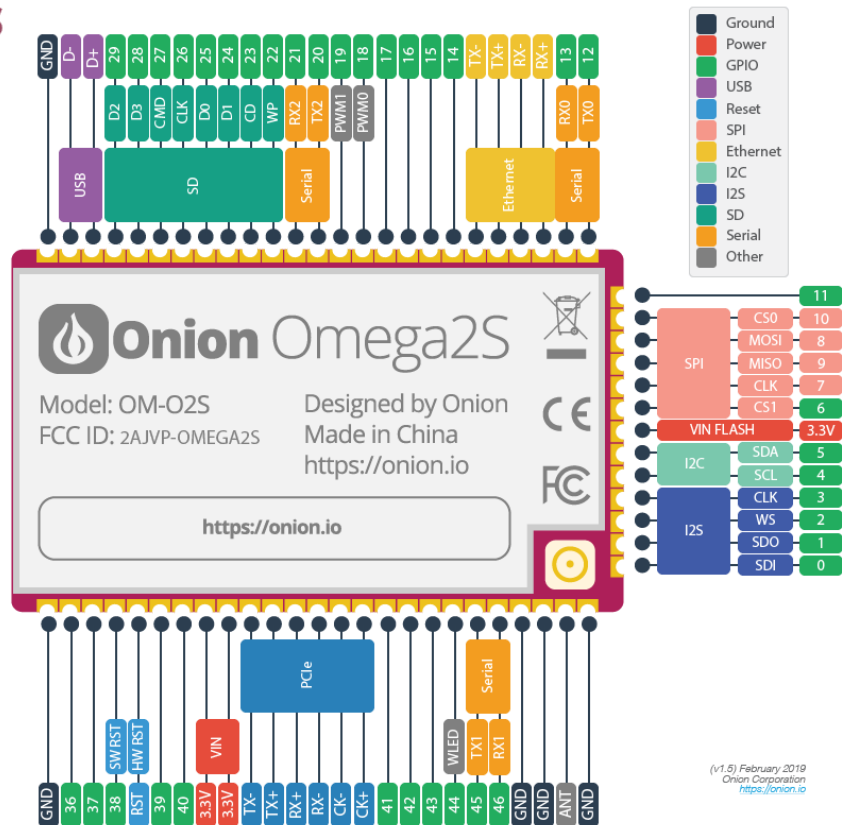
25	GND	I	Ground pin
26	GPIO_0 / I2S_SDI	I/O	General Purpose I/O / I2S Data Input
27	GPIO_1 / I2S_SDO	I/O	General Purpose I/O / I2S Data Output
28	GPIO_2 / I2S_WS	I/O	General Purpose I/O / I2S Word Select (also known as LRCLK - left/right clock)
29	GPIO_3 / I2S_CLK	I/O	General Purpose I/O / I2S Clock
30	GPIO_4 / I2C_SCLK	I/O	General Purpose I/O / I2C Clock
31	GPIO_5 / I2C_SDA	I/O	General Purpose I/O / I2C Data
32	VDD_FLASH	I	3.3V FLASH Power Supply
33	SPI_CS1 / GPIO6	O	SPI Chip Select 1 / General Purpose I/O
34	SPI_CLK	O	SPI Clock
35	SPI_MISO	I	SPI Master Input/Slave Output
36	SPI_MOSI	O	SPI Master Output/Slave Input
37	SPI_CS0	O	SPI Chip Select 0
38	GPIO_11	I/O	General Purpose I/O
39	GPIO_12 / UART_TXD0	I/O	General Purpose I/O / Serial UART0 Lite TXD
40	GPIO_13 / UART_RXD0	I/O	General Purpose I/O / Serial UART0 Lite RXD
41	RXI_P0	I	10/100 PHY Port #0 RXP
42	RXI_N0	I	10/100 PHY Port #0 RXN
43	TXO_P0	O	10/100 PHY Port #0 TXP
44	TXO_N0	O	10/100 PHY Port #0 TXN
45	GPIO_14	I/O	General Purpose I/O / 10/100 PHY Port #1 TXP

46	GPIO_15	I/O	General Purpose I/O / 10/100 PHY Port #1 TXN
47	GPIO_16	I/O	General Purpose I/O / 10/100 PHY Port #1 RXP
48	GPIO_17	I/O	General Purpose I/O / 10/100 PHY Port #1 RXN
49	GPIO_18 / PWM_CH0	I/O	General Purpose I/O / PWM Channel 0 / 10/100 PHY Port #2 RXP
50	GPIO_19 / PWM_CH1	I/O	General Purpose I/O / PWM Channel 1 / 10/100 PHY Port #2 RXN
51	GPIO_20 / PWM_CH2 / UART_TXD2	I/O	General Purpose I/O / PWM Channel 2 / UART2 Lite TXD / 10/100 PHY Port #2 TXP
52	GPIO_21 / PWM_CH3 / UART_RXD2	I/O	General Purpose I/O / PWM Channel 3 / UART2 Lite RXD / 10/100 PHY Port #2 TXN
53	SD_WP / GPIO_22		SD Write-Protect, 1 : yes, 0 : no / 10/100 PHY Port #3 TXP
54	SD_CD / GPIO_23		SD Card Detect, 1 : No card ; 0 : Has a card / 10/100 PHY Port #3 TXN
55	SD_D1 / GPIO_24		SDIO Data 1 / 10/100 PHY Port #3 RXP
56	SD_D0 / GPIO_25		SDIO Data 0 / 10/100 PHY Port #3 RXN
57	SD_CLK / GPIO_26		SDIO Clock / 10/100 PHY Port #4 RXP
58	SD_CMD / GPIO_27		SDIO Command / 10/100 PHY Port #4 RXN
59	SD_D3 / GPIO_28		SDIO Data 3 / 10/100 PHY Port #4 TXP
60	SD_D2 / GPIO_29		SDIO Data 2 / 10/100 PHY Port #4 TXN
61	USB_DP	I/O	USB Port0 Differential Data +
62	USB_DM	I/O	USB Port0 Differential Data -
63	GND	I	Ground pin

Note :

The pins marked **Red** can affect system boot. They must be floating and **cannot** be Pulled Up or Pulled Down to ensure the system boots properly.

3.2 Pin Multiplexing Diagram

(v1.5) February 2019
Onion Corporation
<https://onion.io>

3.3 Special Pins

Information on pins with unique properties

3.3.1 - System Boot Pins

There are six (6) pins that affect the boot sequence of the device. The pins fall into two categories:

1. Pins that must be left **floating** at boot time. They cannot be pulled up or pulled down, or else the Omega cannot boot
2. Pins that must be **floating or pulled down** at boot time. They cannot be pulled up, or else the Omega cannot boot

Once the Omega has booted, these pins can be used normally.

No	Name	I/O	Description	Boot Time
2	GPIO_36 / PERST_N	I/O	General Purpose I/O / PCIe Device Reset - Active Low	Must be floating
20	GPIO_45 / UART_TXD1	I/O	General Purpose I/O / UART1 Lite TXD	Must be floating
27	GPIO_1 / I2S_SDO	I/O	General Purpose I/O / I2S Data Output	Must be floating or pulled-down
33	SPI_CS1	O	SPI Chip Select 1	Must be floating
34	SPI_CLK	O	SPI Clock	Must be floating
39	GPIO_12 / UART_TXD0	I/O	General Purpose I/O / Serial UART0 Lite TXD	Must be floating or pulled-down

3.3.2 - SPI Pins

The Omega's processor communicates with the on-board flash storage using the SPI protocol. It's physically connected as Chip Select 0 on the Omega's SPI bus. Since there are two SPI Chip Select signals it's possible to connect an additional SPI device to the Omega using Chip Select 1.

As such, the SPI communication pins - CLK, MOSI, and MISO - GPIOs 7, 8, and 9 **cannot be used as regular GPIOs**. Connecting non-SPI circuitry to these pins may prevent your Omega from booting or cause other damage to your unit.

No	Name	I/O	Description
33	SPI_CS1	O	SPI Chip Select 1

34	SPI_CLK	O	SPI Clock <i>Cannot be used as a regular GPIO</i>
35	SPI_MISO	I	SPI Master Input/Slave Output <i>Cannot be used as a regular GPIO</i>
36	SPI_MOSI	O	SPI Master Output/Slave Input <i>Cannot be used as a regular GPIO</i>
37	SPI_CS0	O	SPI Chip Select 0 <i>Cannot be used as a regular GPIO</i>

3.3.3 - Reset Pins

There are two reset pins:

No	Name	I/O	Description
4	GPIO_38 / SW_RST	I/O	General Purpose I/O / Default User Button - Programmed to trigger a reboot in Onion Firmware - Active High
5	HW_RST_N		Hardware Power On Reset - Active Low Performs hard reset (power-cycle) of the CPU

The **SW_RST** pin acts as the soft-reset on the Omega2S. This is actually GPIO38 which is configured in the Onion Omega2S firmware to be the programmable user button input. By default, the input is configured to be **active-high** and will **trigger a reboot of the Operating System**.

The **HW_RST_N** pin acts as the hard-reset on the Omega2S. This input is **active-low**, and, when triggered, will perform a **hard reset (ie a power-cycle) of the CPU**.

On the Omega2S+, note that a specific circuit is required to enable the hard-reset. See [VDD_Flash section](#) below.

3.3.4 - Power Supply Pins

The following pins must be supplied with 3.3V:

No	Name	I/O	Description
8	3.3V	I	3.3V Power Supply
9	3.3V	I	3.3V Power Supply
32	VDD_FLASH	I	3.3V FLASH Power Supply

Note: No power supply filtering capacitors are required when using the Omega module.

3.3.4.1 - VDD_Flash Pin

The VDD_FLASH pin is the 3.3V power supply for the built-in flash storage of the Omega2S. This pin **must** be supplied with 3.3V in order for the Omega to boot and function properly.

When using the Omega2S, the VDD_Flash pin should be pulled up to 3.3V.

When using the Omega2S+, there are some considerations that must be taken into account when it comes to the VDD_Flash pin.

In order for the HW_RST_N signal to properly power-cycle the CPU, the VDD_Flash pin must also be pulled down to Ground when the HW_RST_N is triggered. This is due to a limitation in the 32MB Flash Chip used in the Omega2S+.

If there is no need to support hard-reset in your Omega2S+ design, VDD_Flash should be simply pulled up to 3.3V.

See the [Omega2S reference design schematic](#) for details - can be found in Section 7.

4. Electrical Specifications

4.1 Absolute Maximum Ratings

Parameter	Symbol	Min	Max	Units
Power supply voltage	V _{cc}		3.63	V
Input pin voltage	V _{in}	GND - 0.3 V	V _{cc} + 0.3 V	V
DC current through any digital I/O pin (except supplies)	I _{pin}		8	mA
Storage Temperature	T _{stg}	-20	80	°C

4.2 Operating Conditions

Operation beyond the specified operating conditions can affect device reliability.

Parameter	Symbol	Min	Typical	Max	Units
Power supply voltage	V _{cc}	2.97	3.3	3.63	V
Input pin voltage range	V _{in}	-0.3		3.3	V
Digital pin low level input voltage	V _{il}	-0.3		0.8	V
Digital pin high level input voltage	V _{ih}	2		3.6	V
Digital pin low level output voltage	V _{ol}			0.4	V
Digital pin high level output voltage	V _{oh}	2.4		3.3	V
Operating Temperature	T _{opr}	-10		55	°C

4.3 Power Consumption

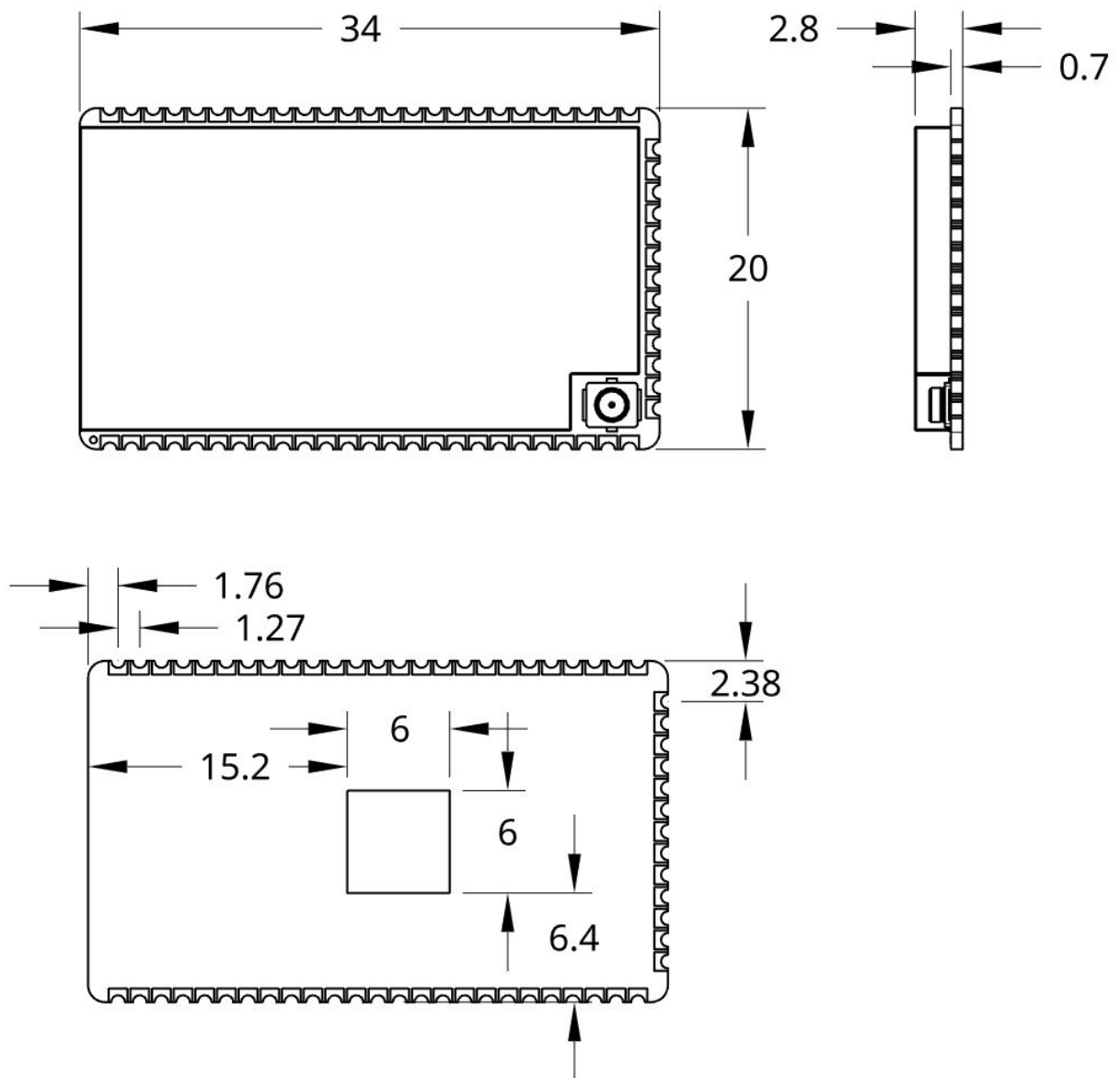
State	Peak Current	Typical Current	Units
Booting	180	170	mA
Idle & Connected to WiFi network	190	170	mA
Idle & WiFi radio turned off	130	130	mA
Actively downloading files through WiFi	310	260	mA
Actively downloading files through WiFi, CPU at full load	400	310	mA

Note: All current measurements correspond to Vcc of 3.3V.

Note: These numbers are not based on exhaustive testing and should be used as reference values

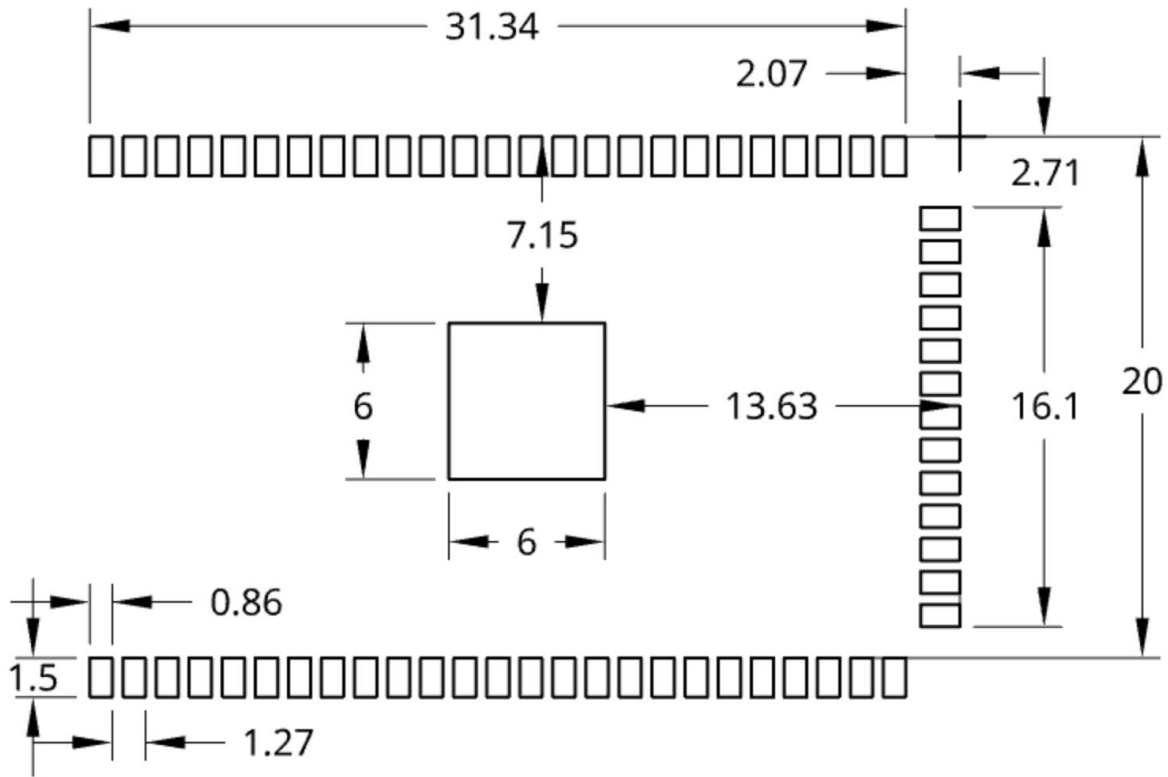
5. Mechanical Specifications

5.1 Mechanical Drawing



* All measurements in millimeters

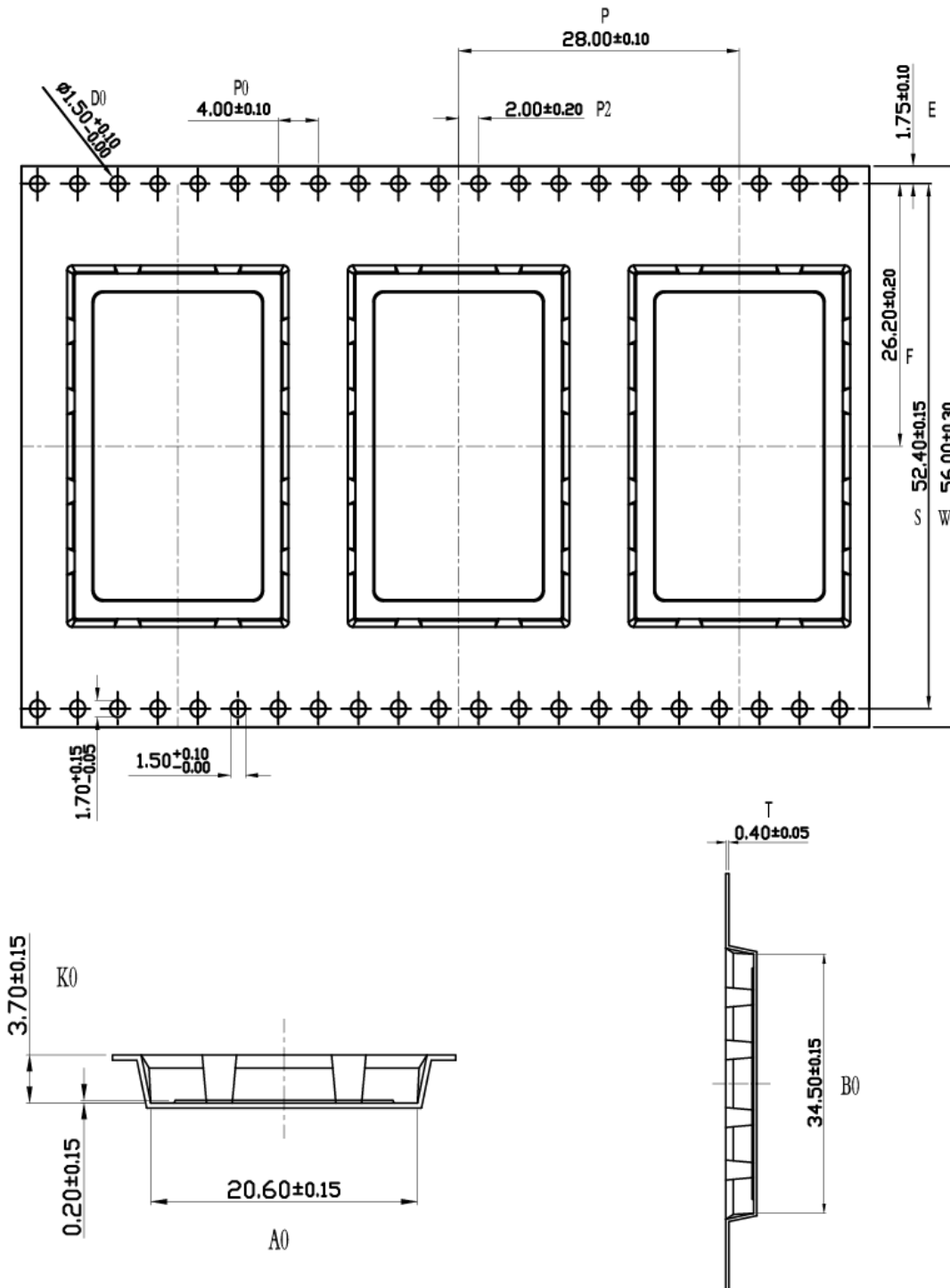
5.2 Recommended PCB Footprint



* All measurements in millimeters

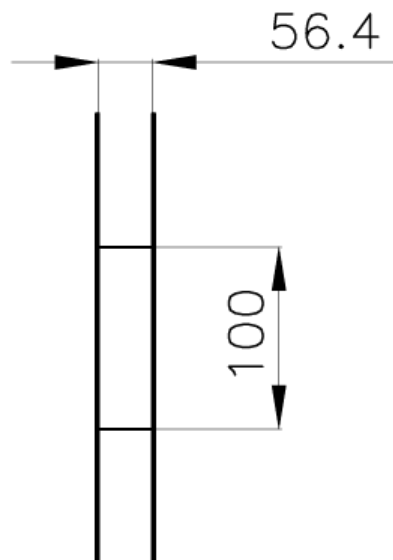
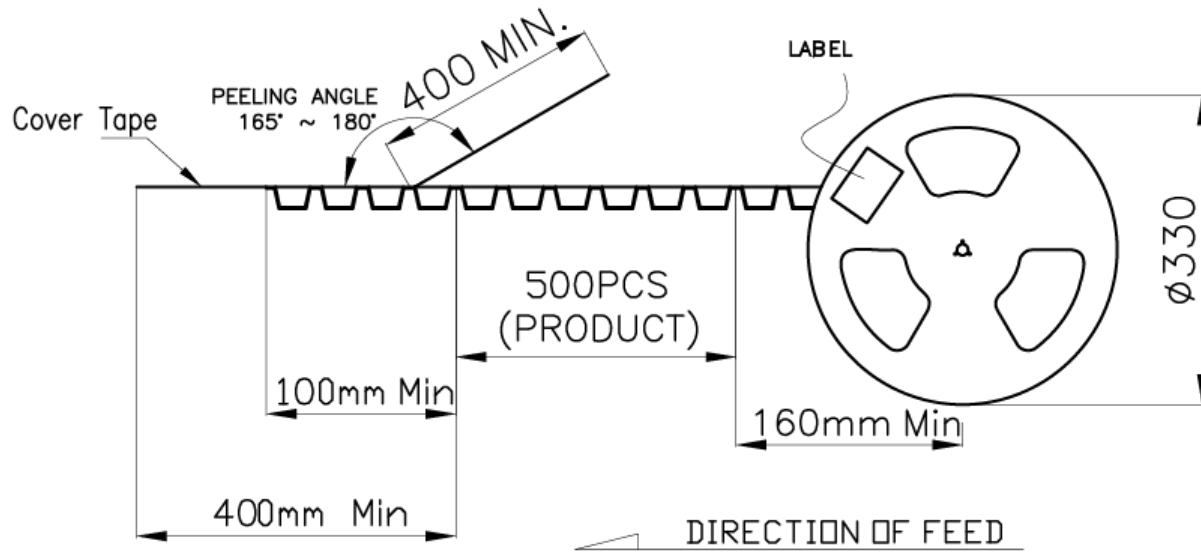
5.3 Packaging Details

5.3.1 Carrier Tape Specifications



5.3.2 Surface Mount Reel Specifications

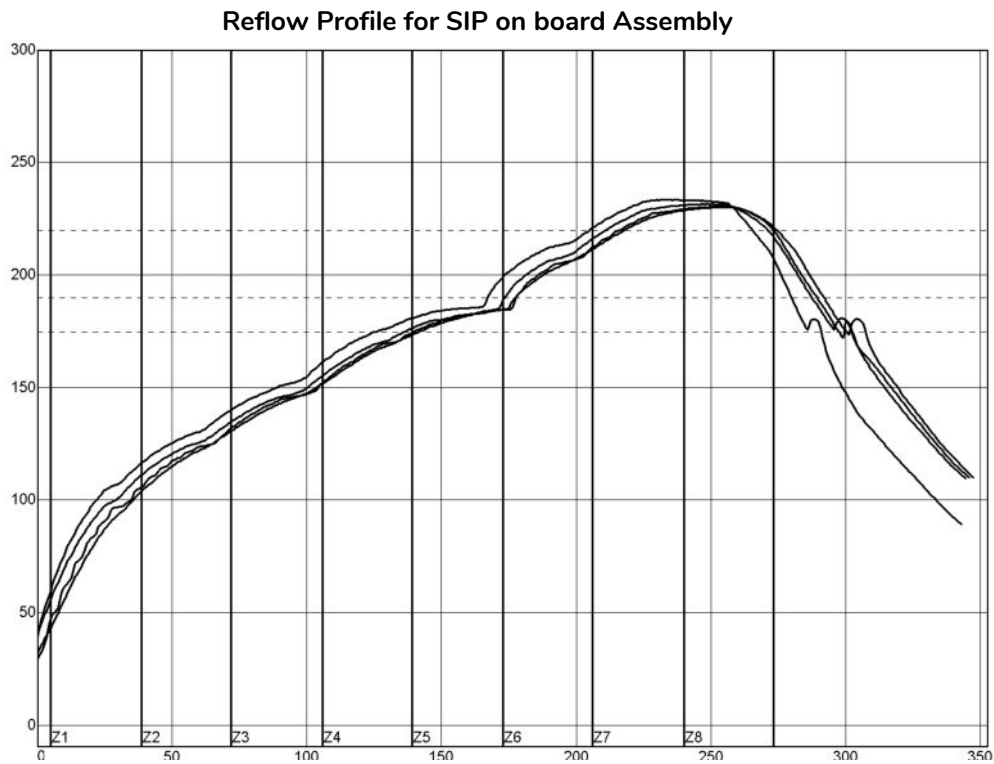
	Quantity	Tape Width
13" Reel	500	56mm



5.3.3 Tolerances and Additional Notes

1. 10 pitch cumulative tolerance on tape is $\pm 0.2\text{mm}$
2. Allowable camber is 1mm per 250mm tape, non-cumulative
3. Packaging follows the EIA-481-C standard
4. Reel material: RoHS-compliant blue anti-static PS (polystyrene)
5. Reel diameter is 330mm (13")
6. Reel center material: RoHS-compliant blue plastic
7. Reel center diameter is 100mm
8. Tape thickness is 0.40mm +/- 0.05 mm
9. All materials adhere to the OP-2014-002 harmful materials regulation standard

6. Reflow Soldering



Preheat	Dwell	Peak
150°C ~ 200°C 90+5/-10 Sec	Over 220°C 70+5/-10 Sec	240 +5/-10°C
Ramp Up/Down Rate		
Up : 3 +0/-2°C /Sec		Down : 2 +0/-1°C /Sec

7. Additional Resources

7.1 Omega2S Reference Design Schematics

An Omega2S reference design and its schematic are [available online](#).

7.2 Omega2 Online Documentation

Extensive documentation for the Omega2 family is hosted online. This documentation also applies to the Omega2S.

It can be found here: <http://docs.onion.io/>

8. Datasheet Revision History

Revision	Date	Description
1.7	July 8, 2020	Updated packaging details based on new reel packaging
1.6	August 1, 2019	Added packaging details. Updated antenna interface section to mention that only one should be used at a time.
1.5	April 5, 2019	Updated I2S interface description with accurate data width and sampling rate for slave mode operation. System boot pins now specifies pins that must be floating and pins that can be pulled-down.
1.4	March 7, 2019	Overview now highlights key aspects of the operating system and software. Updated SPI interface max speed.
1.3	February 20, 2019	Addition of feature details, updated pin layout diagram and pin numbering, improved mechanical drawing, added recommended PCB footprint
1.2	June 25, 2018	Added pin layout diagram, updated pinout diagram, added sections with information on special GPIOs
1.1	January 31, 2018	Updated pinout diagram, mechanical drawing, and pin definition table
1.0	July 20, 2017	Initial release



Стандарт Электрон Связь

Мы молодая и активно развивающаяся компания в области поставок электронных компонентов. Мы поставляем электронные компоненты отечественного и импортного производства напрямую от производителей и с крупнейших складов мира.

Благодаря сотрудничеству с мировыми поставщиками мы осуществляем комплексные и плановые поставки широчайшего спектра электронных компонентов.

Собственная эффективная логистика и склад в обеспечивает надежную поставку продукции в точно указанные сроки по всей России.

Мы осуществляем техническую поддержку нашим клиентам и предпродажную проверку качества продукции. На все поставляемые продукты мы предоставляем гарантию .

Осуществляем поставки продукции под контролем ВП МО РФ на предприятия военно-промышленного комплекса России , а также работаем в рамках 275 ФЗ с открытием отдельных счетов в уполномоченном банке. Система менеджмента качества компании соответствует требованиям ГОСТ ISO 9001.

Минимальные сроки поставки, гибкие цены, неограниченный ассортимент и индивидуальный подход к клиентам являются основой для выстраивания долгосрочного и эффективного сотрудничества с предприятиями радиоэлектронной промышленности, предприятиями ВПК и научно-исследовательскими институтами России.

С нами вы становитесь еще успешнее!

Наши контакты:

Телефон: +7 812 627 14 35

Электронная почта: sales@st-electron.ru

Адрес: 198099, Санкт-Петербург,
Промышленная ул, дом № 19, литера Н,
помещение 100-Н Офис 331