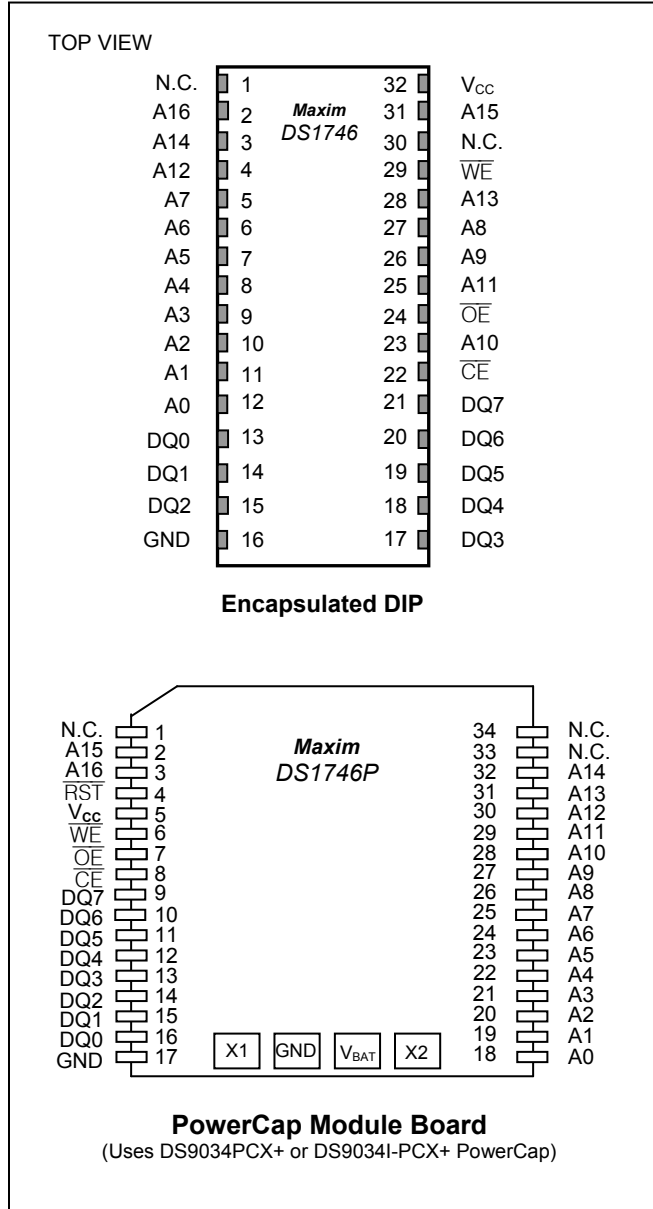


### FEATURES

- Integrated NV SRAM, Real-Time Clock, Crystal, Power-Fail Control Circuit, and Lithium Energy Source
- Clock Registers are Accessed Identically to the Static RAM. These Registers are Resident in the Eight Top RAM Locations.
- Century Byte Register (i.e., Y2K Compliant)
- Totally Nonvolatile with Over 10 Years of Operation in the Absence of Power
- BCD-Coded Century, Year, Month, Date, Day, Hours, Minutes, and Seconds with Automatic Leap Year Compensation Valid Up to the Year 2100
- Battery Voltage-Level Indicator Flag
- Power-Fail Write Protection Allows for  $\pm 10\%$   $V_{CC}$  Power Supply Tolerance
- Lithium Energy Source is Electrically Disconnected to Retain Freshness Until Power is Applied for the First Time
- DIP Module Only  
Standard JEDEC Byte-Wide 128k x 8 Static RAM Pinout
- PowerCap Module Board Only  
Surface Mountable Package for Direct Connection to PowerCap Containing Replaceable Battery (PowerCap)  
Power-On Reset Output  
Pin-for-Pin Compatible with Other Densities of DS174xP Timekeeping RAM
- Also Available in Industrial Temperature Range:  $-40^{\circ}\text{C}$  to  $+85^{\circ}\text{C}$
- Underwriters Laboratories (UL) Recognized

### PIN CONFIGURATIONS



**PIN DESCRIPTION**

| PIN   |           | NAME                        | FUNCTION   |
|-------|-----------|-----------------------------|--|
| PDIP  | PowerCap  |                             |  |
| 1, 30 | 1, 33, 34 | N.C.                        | No Connection  |
| 2     | 3         | A16                         | Address Input  |
| 3     | 32        | A14                         |  |
| 4     | 30        | A12                         |  |
| 5     | 25        | A7                          |  |
| 6     | 24        | A6                          |  |
| 7     | 23        | A5                          |  |
| 8     | 22        | A4                          |  |
| 9     | 21        | A3                          |  |
| 10    | 20        | A2                          |  |
| 11    | 19        | A1                          |  |
| 12    | 18        | A0                          |  |
| 23    | 28        | A10                         |  |
| 25    | 29        | A11                         |  |
| 26    | 27        | A9                          |  |
| 27    | 26        | A8                          |  |
| 28    | 31        | A13                         |  |
| 31    | 2         | A15                         |  |
| 13    | 16        | DQ0                         | Data Input/Output  |
| 14    | 15        | DQ1                         |  |
| 15    | 14        | DQ2                         |  |
| 17    | 13        | DQ3                         |  |
| 18    | 12        | DQ4                         |  |
| 19    | 11        | DQ5                         |  |
| 20    | 10        | DQ6                         |  |
| 21    | 9         | DQ7                         |  |
| 16    | 17        | GND                         | Ground   |
| 22    | 8         | $\overline{\text{CE}}$      | Active-Low Chip Enable Input   |
| 24    | 7         | $\overline{\text{OE}}$      | Active-Low Output Enable Input   |
| 29    | 6         | $\overline{\text{WE}}$      | Active-Low Write-Enable Input  |
| 32    | 5         | V <sub>CC</sub>             | Power-Supply Input   |
| —     | 4         | $\overline{\text{RST}}$     | Active-Low Power-Fail Output, Open Drain. Requires a pullup resistor for proper operation.   |
| —     |           | X1, X2,<br>V <sub>BAT</sub> | Crystal Connection, V <sub>BAT</sub> Battery Connection. UL recognized to ensure against reverse charging when used with a lithium battery<br>( <a href="http://www.maximintegrated.com/qa/info/ul/">www.maximintegrated.com/qa/info/ul/</a> ) |

**ORDERING INFORMATION**

| PART                 | VOLTAGE RANGE (V) | TEMP RANGE     | PIN-PACKAGE      | TOP MARK <sup>†</sup> |
|----------------------|-------------------|----------------|------------------|-----------------------|
| <b>DS1746-70+</b>    | 5.0               | 0°C to +70°C   | 32 EDIP (0.740a) | DS1746+070            |
| DS1746-70IND+        | 5.0               | -40°C to +85°C | 32 EDIP (0.740a) | DS1746+070 IND        |
| <b>DS1746P-70+</b>   | 5.0               | 0°C to +70°C   | 34 PowerCap*     | DS1746P+70            |
| DS1746P-70IND+       | 5.0               | -40°C to +85°C | 34 PowerCap*     | DS1746P+070 IND       |
| <b>DS1746W-120+</b>  | 3.3               | 0°C to +70°C   | 32 EDIP (0.740a) | DS1746W+120           |
| DS1746W-120IND+      | 3.3               | -40°C to +85°C | 32 EDIP (0.740a) | DS1746W+120 IND       |
| <b>DS1746WP-120+</b> | 3.3               | 0°C to +70°C   | 34 PowerCap*     | DS1746WP+120          |
| DS1746WP-120IND+     | 3.3               | -40°C to +85°C | 34 PowerCap*     | DS1746WP+120 IND      |

+Denotes a lead(Pb)-free/RoHS-compliant package. The top mark will include a "+" symbol on lead-free devices.

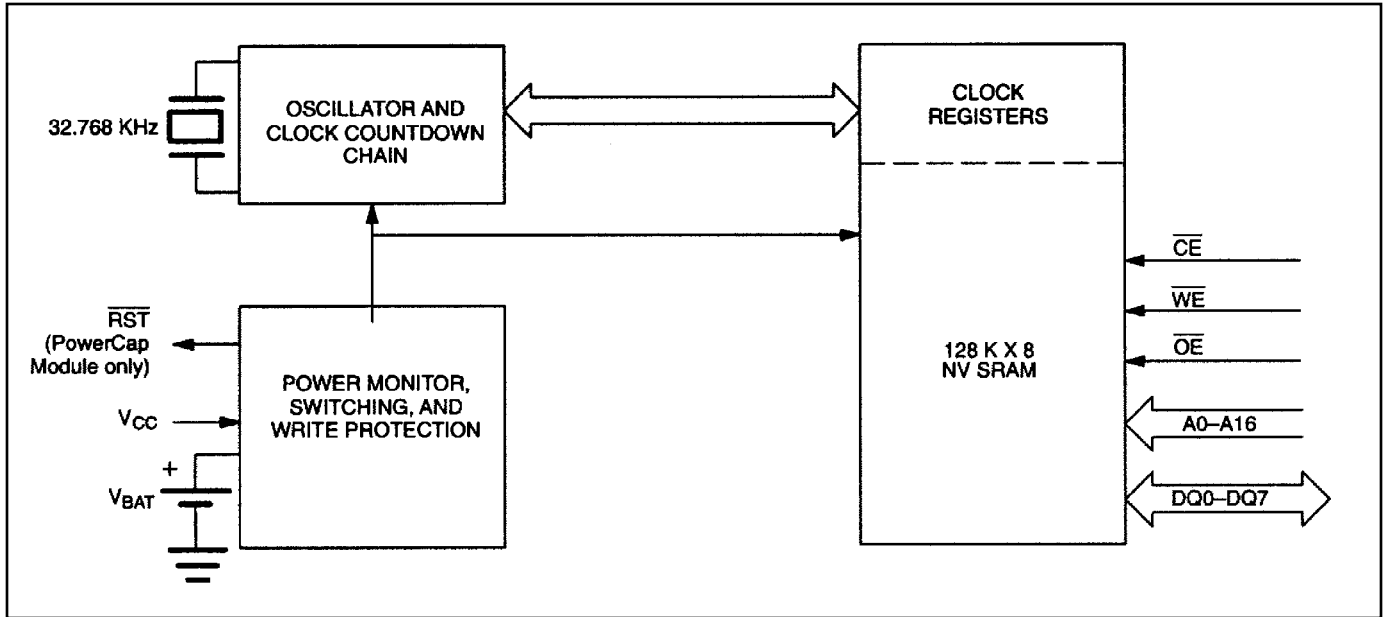
\*DS9034-PCX+ or DS9034I-PCX+ required (must be ordered separately).

† An "IND" anywhere on the top mark denotes an industrial temperature grade device.

**DESCRIPTION**

The DS1746 is a full-function, year-2000-compliant (Y2KC), real-time clock/calendar (RTC) and 128k x 8 nonvolatile static RAM. User access to all registers within the DS1746 is accomplished with a byte-wide interface as shown in Figure 1. The RTC information and control bits reside in the eight uppermost RAM locations. The RTC registers contain century, year, month, date, day, hours, minutes, and seconds data in 24-hour binary-coded decimal (BCD) format. Corrections for the date of each month and leap year are made automatically. The RTC clock registers are double buffered to avoid access of incorrect data that can occur during clock update cycles. The double-buffered system also prevents time loss as the timekeeping countdown continues unabated by access to time register data. The DS1746 also contains its own power-fail circuitry, which deselected the device when the V<sub>CC</sub> supply is in an out of tolerance condition. This feature prevents loss of data from unpredictable system operation brought on by low V<sub>CC</sub> as errant access and update cycles are avoided.

Figure 1. Block Diagram



## PACKAGES

The DS1746 is available in two packages (32-pin DIP and 34-pin PowerCap module). The 32-pin DIP style module integrates the crystal, lithium energy source, and silicon all in one package. The 34-pin PowerCap Module Board is designed with contacts for connection to a separate PowerCap (DS9034PCX) that contains the crystal and battery. This design allows the PowerCap to be mounted on top of the DS1746P after the completion of the surface mount process. Mounting the PowerCap after the surface mount process prevents damage to the crystal and battery due to the high temperatures required for solder reflow. The PowerCap is keyed to prevent reverse insertion. The PowerCap Module Board and PowerCap are ordered separately and shipped in separate containers.

## CLOCK OPERATIONS—READING THE CLOCK

While the double-buffered register structure reduces the chance of reading incorrect data, internal updates to the DS1746 clock registers should be halted before clock data is read to prevent reading of data in transition. However, halting the internal clock register updating process does not affect clock accuracy. Updating is halted when a one is written into the read bit, bit 6 of the century register (see Table 2). As long as a one remains in that position, updating is halted. After a halt is issued, the registers reflect the count, that is day, date, and time that was current at the moment the halt command was issued. However, the internal clock registers of the double-buffered system continue to update so that the clock accuracy is not affected by the access of data. All of the DS1746 registers are updated simultaneously after the internal clock register updating process has been re-enabled. Updating is within a second after the read bit is written to zero. The READ bit must be a zero for a minimum of 500 $\mu$ s to ensure the external registers will be updated.

**Table 1. Truth Table**

| $V_{CC}$                   | $\overline{CE}$ | $\overline{OE}$ | $\overline{WE}$ | MODE     | DQ       | POWER               |
|----------------------------|-----------------|-----------------|-----------------|----------|----------|---------------------|
| $V_{CC} > V_{PF}$          | $V_{IH}$        | X               | X               | Deselect | High-Z   | Standby             |
|                            | $V_{IL}$        | X               | $V_{IL}$        | Write    | Data In  | Active              |
|                            | $V_{IL}$        | $V_{IL}$        | $V_{IH}$        | Read     | Data Out | Active              |
|                            | $V_{IL}$        | $V_{IH}$        | $V_{IH}$        | Read     | High-Z   | Active              |
| $V_{SO} < V_{CC} < V_{PF}$ | X               | X               | X               | Deselect | High-Z   | CMOS Standby        |
| $V_{CC} < V_{SO} < V_{PF}$ | X               | X               | X               | Deselect | High-Z   | Data-Retention Mode |

## SETTING THE CLOCK

As shown in Table 2, bit 7 of the Control register is the W (write) bit. Setting the W bit to 1 halts updates to the device registers. The user can subsequently load correct date and time values into all eight registers, followed by a write cycle of 00h to the Control register to clear the W bit and transfer those new settings into the clock, allowing timekeeping operations to resume from the new set point.

Again referring to Table 2, bit 6 of the Control register is the R (read) bit. Setting the R bit to 1 halts updates to the device registers. The user can subsequently read the date and time values from the eight registers without those contents possibly changing during those I/O operations. A subsequent write cycle of 00h to the Control register to clear the R bit allows timekeeping operations to resume from the previous set point.

The pre-existing contents of the Control register bits 0:5 (Century value) are ignored/unmodified by a write cycle to Control if either the W or R bits are being set to 1 in that write operation.

The pre-existing contents of the Control register bits 0:5 (Century value) will be modified by a write cycle to Control if the W bit is being cleared to 0 in that write operation.

The pre-existing contents of the Control register bits 0:5 (Century value) will not be modified by a write cycle to Control if the R bit is being cleared to 0 in that write operation.

## STOPPING AND STARTING THE CLOCK OSCILLATOR

The clock oscillator may be stopped at any time. To increase the shelf life, the oscillator can be turned off to minimize current drain from the battery. The  $\overline{OSC}$  bit is the MSB (bit 7) of the seconds registers (see Table 2). Setting it to a one stops the oscillator.

## FREQUENCY TEST BIT

As shown in Table 2, bit 6 of the day byte is the frequency test bit. When the frequency test bit is set to logic “1” and the oscillator is running, the LSB of the seconds register will toggle at 512 Hz. When the seconds register is being read, the DQ0 line will toggle at the 512 Hz frequency as long as conditions for access remain valid (i.e.,  $\overline{CE}$  low,  $\overline{OE}$  low,  $\overline{WE}$  high, and address for seconds register remain valid and stable).

## CLOCK ACCURACY (DIP MODULE)

The DS1746 is guaranteed to keep time accuracy to within  $\pm 1$  minute per month at 25°C. The RTC is calibrated at the factory by Maxim using nonvolatile tuning elements, and does not require additional calibration. For this reason, methods of field clock calibration are not available and not necessary. The electrical environment also affects clock accuracy and caution should be taken to place the RTC in the lowest-level EMI section of the PC board layout. For additional information, refer to Application Note 58.

## CLOCK ACCURACY (PowerCap MODULE)

The DS1746 and DS9034PCX are each individually tested for accuracy. Once mounted together, the module will typically keep time accuracy to within  $\pm 1.53$  minutes per month (35 ppm) at 25°C. The electrical environment also affects clock accuracy and caution should be taken to place the RTC in the lowest-level EMI section of the PC board layout. For additional information, refer to Application Note 58.

**Table 2. Register Map**

| ADDRESS | DATA                    |            |            |          |         |     |    |    | FUNCTION | RANGE |
|---------|-------------------------|------------|------------|----------|---------|-----|----|----|----------|-------|
|         | B7                      | B6         | B5         | B4       | B3      | B2  | B1 | B0 |          |       |
| 1FFFF   | 10 Year                 |            |            |          | Year    |     |    |    | Year     | 00-99 |
| 1FFFE   | X                       | X          | X          | 10 Month | Month   |     |    |    | Month    | 01-12 |
| 1FFFD   | X                       | X          | 10 Date    |          | Date    |     |    |    | Date     | 01-31 |
| 1FFFC   | BF                      | FT         | X          | X        | X       | Day |    |    | Day      | 01-07 |
| 1FFFB   | X                       | X          | 10 Hour    |          | Hour    |     |    |    | Hour     | 00-23 |
| 1FFFA   | X                       | 10 Minutes |            |          | Minutes |     |    |    | Minutes  | 00-59 |
| 1FFF9   | $\overline{\text{OSC}}$ | 10 Seconds |            |          | Seconds |     |    |    | Seconds  | 00-59 |
| 1FFF8   | W                       | R          | 10 Century |          | Century |     |    |    | Century  | 00-39 |

$\overline{\text{OSC}}$  = Stop Bit

R = Read Bit

FT = Frequency Test

W = Write Bit

X = See Note

BF = Battery Flag

*Note:* All indicated "X" bits are not used but must be set to "0" during a write cycle to ensure proper clock operation.

## RETRIEVING DATA FROM RAM OR CLOCK

The DS1746 is in the read mode whenever  $\overline{\text{OE}}$  (output enable) is low,  $\overline{\text{WE}}$  (write enable) is high, and  $\overline{\text{CE}}$  (chip enable) is low. The device architecture allows ripple-through access to any of the address locations in the NV SRAM. Valid data will be available at the DQ pins within  $t_{AA}$  after the last address input is stable, providing that the  $\overline{\text{CE}}$  and  $\overline{\text{OE}}$  access times and states are satisfied. If  $\overline{\text{CE}}$  or  $\overline{\text{OE}}$  access times and states are not met, valid data will be available at the latter of chip enable access ( $t_{CEA}$ ) or at output enable access time ( $t_{OEA}$ ). The state of the data input/output pins (DQ) is controlled by  $\overline{\text{CE}}$  and  $\overline{\text{OE}}$ . If the outputs are activated before  $t_{AA}$ , the data lines are driven to an intermediate state until  $t_{AA}$ . If the address inputs are changed while  $\overline{\text{CE}}$  and  $\overline{\text{OE}}$  remain valid, output data will remain valid for output data hold time ( $t_{OH}$ ) but will then go indeterminate until the next address access.

## WRITING DATA TO RAM OR CLOCK

The DS1746 is in the write mode whenever  $\overline{\text{WE}}$ , and  $\overline{\text{CE}}$  are in their active state. The start of a write is referenced to the latter occurring transition of  $\overline{\text{WE}}$ , or  $\overline{\text{CE}}$ . The addresses must be held valid throughout the cycle.  $\overline{\text{CE}}$  or  $\overline{\text{WE}}$  must return inactive for a minimum of  $t_{WR}$  prior to the initiation of another read or write cycle. Data in must be valid  $t_{DS}$  prior to the end of write and remain valid for  $t_{DS}$  afterward. In a typical application, the  $\overline{\text{OE}}$  signal will be high during a write cycle. However,  $\overline{\text{OE}}$  can be active provided that care is taken with the data bus to avoid bus contention. If  $\overline{\text{OE}}$  is low prior to  $\overline{\text{WE}}$  transitioning low the data bus can become active with read data defined by the address inputs. A low transition on  $\overline{\text{WE}}$  will then disable the output  $t_{WEZ}$  after  $\overline{\text{WE}}$  goes active.

## DATA-RETENTION MODE

The 5V device is fully accessible and data can be written or read only when  $V_{CC}$  is greater than  $V_{PF}$ . However, when  $V_{CC}$  is below the power-fail point,  $V_{PF}$ , (point at which write protection occurs) the internal clock registers and SRAM are blocked from any access. At this time the power fail reset output signal ( $\overline{RST}$ ) is driven active and will remain active until  $V_{CC}$  returns to nominal levels. When  $V_{CC}$  falls below the battery switch point  $V_{SO}$  (battery supply level), device power is switched from the  $V_{CC}$  pin to the backup battery. RTC operation and SRAM data are maintained from the battery until  $V_{CC}$  is returned to nominal levels. The 3.3V device is fully accessible and data can be written or read only when  $V_{CC}$  is greater than  $V_{PF}$ . When  $V_{CC}$  falls below the power fail point,  $V_{PF}$ , access to the device is inhibited. At this time the power fail reset output signal ( $\overline{RST}$ ) is driven active and will remain active until  $V_{CC}$  returns to nominal levels. If  $V_{PF}$  is less than  $V_{SO}$ , the device power is switched from  $V_{CC}$  to the backup supply ( $V_{BAT}$ ) when  $V_{CC}$  drops below  $V_{PF}$ . If  $V_{PF}$  is greater than  $V_{SO}$ , the device power is switched from  $V_{CC}$  to the backup supply ( $V_{BAT}$ ) when  $V_{CC}$  drops below  $V_{SO}$ . RTC operation and SRAM data are maintained from the battery until  $V_{CC}$  is returned to nominal levels. The  $\overline{RST}$  signal is an open drain output and requires a pull up. Except for the  $\overline{RST}$ , all control, data, and address signals must be powered down when  $V_{CC}$  is powered down.

## BATTERY LONGEVITY

The DS1746 has a lithium power source that is designed to provide energy for clock activity, and clock and RAM data retention when the  $V_{CC}$  supply is not present. The capability of this internal power supply is sufficient to power the DS1746 continuously for the life of the equipment in which it is installed. For specification purposes, the life expectancy is 10 years at 25°C with the internal clock oscillator running in the absence of  $V_{CC}$  power. Each DS1746 is shipped from Maxim with its lithium energy source disconnected, guaranteeing full energy capacity. When  $V_{CC}$  is first applied at a level greater than  $V_{PF}$ , the lithium energy source is enabled for battery backup operation. Actual life expectancy of the DS1746 will be much longer than 10 years since no lithium battery energy is consumed when  $V_{CC}$  is present.

## BATTERY MONITOR

The DS1746 constantly monitors the battery voltage of the internal battery. The Battery Flag bit (bit 7) of the day register is used to indicate the voltage level range of the battery. This bit is not writable and should always be a one when read. If a zero is ever present, an exhausted lithium energy source is indicated and both the contents of the RTC and RAM are questionable.

**ABSOLUTE MAXIMUM RATINGS**

Voltage Range on Any Pin Relative to Ground

5.5V Version.....-0.3V to +6.0V

3.3V Version.....-0.3V to +4.6V

Storage Temperature Range

EDIP .....-40°C to +85°C

PowerCap .....-55°C to +125°C

Lead Temperature (soldering, 10s).....+260°C

**Note:** EDIP is hand or wave-soldered only.

Soldering Temperature (reflow, PowerCap).....+260°C

*This is a stress rating only and functional operation of the device at these or any other condition above those indicated in the operation sections of this specification is not implied. Exposure to absolute maximum rating conditions for extended periods of time may affect reliability.*

**OPERATING RANGE**

| RANGE      | TEMP RANGE                    | V <sub>CC</sub>      |
|------------|-------------------------------|----------------------|
| Commercial | 0°C to +70°C, Noncondensing   | 3.3V ±10% or 5V ±10% |
| Industrial | -40°C to +85°C, Noncondensing | 3.3V ±10% or 5V ±10% |

**RECOMMENDED DC OPERATING CONDITIONS**(T<sub>A</sub> = Over the Operating Range)

| PARAMETER  | SYMBOL          | MIN  | TYP | MAX                    | UNITS | NOTES |
|--|-----------------|------|-----|------------------------|-------|-------|
| Logic 1 Voltage All Inputs<br>V <sub>CC</sub> = 5V ±10%  | V <sub>IH</sub> | 2.2  |     | V <sub>CC</sub> + 0.3V | V     | 1     |
| V <sub>CC</sub> = 3.3V ±10%                              | V <sub>IH</sub> | 2.0  |     | V <sub>CC</sub> + 0.3V | V     | 1     |
| Logic 0 Voltage All Inputs<br>V <sub>CC</sub> = 5V ± 10% | V <sub>IL</sub> | -0.3 |     | 0.8                    | V     | 1     |
| V <sub>CC</sub> = 3.3V ± 10%                             | V <sub>IL</sub> | -0.3 |     | 0.6                    | V     | 1     |

**DC ELECTRICAL CHARACTERISTICS**(V<sub>CC</sub> = 5.0V ±10%, T<sub>A</sub> = Over the Operating Range.)

| PARAMETER  | SYMBOL           | MIN  | TYP              | MAX  | UNITS | NOTES    |
|--|------------------|------|------------------|------|-------|----------|
| Active Supply Current  | I <sub>CC</sub>  |      |                  | 85   | mA    | 2, 3, 10 |
| TTL Standby Current<br>( $\overline{CE} = V_{IH}$ )            | I <sub>CC1</sub> |      |                  | 6    | mA    | 2, 3     |
| CMOS Standby Current<br>( $\overline{CE} \geq V_{CC} - 0.2V$ ) | I <sub>CC2</sub> |      |                  | 4    | mA    | 2, 3     |
| Input Leakage Current (any input)                              | I <sub>IL</sub>  | -1   |                  | +1   | μA    |          |
| Output Leakage Current<br>(any output)                         | I <sub>OL</sub>  | -1   |                  | +1   | μA    |          |
| Output Logic 1 Voltage<br>(I <sub>OUT</sub> = -1.0 mA)         | V <sub>OH</sub>  | 2.4  |                  |      |       | 1        |
| Output Logic 0 Voltage<br>(I <sub>OUT</sub> = +2.1 mA)         | V <sub>OL</sub>  |      |                  | 0.4  |       | 1        |
| Write Protection Voltage                                       | V <sub>PF</sub>  | 4.25 |                  | 4.50 | V     | 1        |
| Battery Switchover Voltage                                     | V <sub>SO</sub>  |      | V <sub>BAT</sub> |      |       | 1, 4     |



**DC ELECTRICAL CHARACTERISTICS**(V<sub>CC</sub> = 3.3V ±10%, T<sub>A</sub> = Over the Operating Range.)

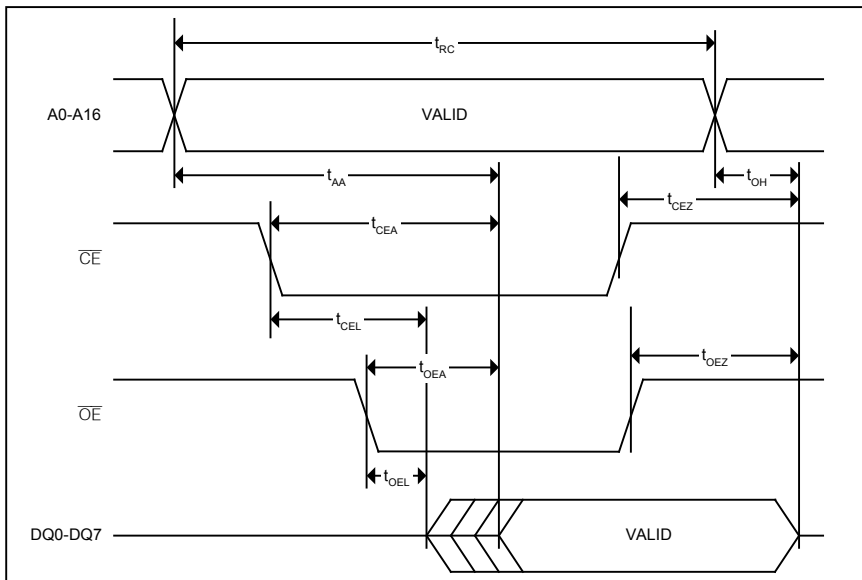
| PARAMETER  | SYMBOL           | MIN  | TYP                                       | MAX  | UNITS | NOTES    |
|--|------------------|------|---|------|-------|----------|
| Active Supply Current  | I <sub>CC</sub>  |      |   | 30   | mA    | 2, 3, 10 |
| TTL Standby Current<br>( $\overline{CE} = V_{IH}$ )            | I <sub>CC1</sub> |      |   | 2    | mA    | 2, 3     |
| CMOS Standby Current<br>( $\overline{CE} \geq V_{CC} - 0.2V$ ) | I <sub>CC2</sub> |      |   | 2    | mA    | 2, 3     |
| Input Leakage Current (any input)                              | I <sub>IL</sub>  | -1   |   | +1   | μA    |          |
| Output Leakage Current<br>(any output)                         | I <sub>OL</sub>  | -1   |   | +1   | μA    |          |
| Output Logic 1 Voltage<br>(I <sub>OUT</sub> = -1.0 mA)         | V <sub>OH</sub>  | 2.4  |   |      |       | 1        |
| Output Logic 0 Voltage<br>(I <sub>OUT</sub> = +2.1 mA)         | V <sub>OL</sub>  |      |   | 0.4  |       | 1        |
| Write Protection Voltage                                       | V <sub>PF</sub>  | 2.80 |   | 2.97 | V     | 1        |
| Battery Switchover Voltage                                     | V <sub>SO</sub>  |      | V <sub>BAT</sub><br>or<br>V <sub>PF</sub> |      | V     | 1, 4     |

**AC CHARACTERISTICS—READ CYCLE (5V)**(V<sub>CC</sub> = 5.0V ±10%, T<sub>A</sub> = Over the Operating Range.)

| PARAMETER                     | SYMBOL           | MIN | TYP | MAX | UNITS | NOTES |
|-------------------------------|------------------|-----|-----|-----|-------|-------|
| Read Cycle Time               | t <sub>RC</sub>  | 70  |     |     | ns    |       |
| Address Access Time           | t <sub>AA</sub>  |     |     | 70  | ns    |       |
| $\overline{CE}$ to DQ Low-Z   | t <sub>CEL</sub> | 5   |     |     | ns    |       |
| $\overline{CE}$ Access Time   | t <sub>CEA</sub> |     |     | 70  | ns    |       |
| $\overline{CE}$ Data Off Time | t <sub>CEZ</sub> |     |     | 25  | ns    |       |
| $\overline{OE}$ to DQ Low-Z   | t <sub>OEL</sub> | 5   |     |     | ns    |       |
| $\overline{OE}$ Access Time   | t <sub>OEA</sub> |     |     | 35  | ns    |       |
| $\overline{OE}$ Data Off Time | t <sub>OEZ</sub> |     |     | 25  | ns    |       |
| Output Hold from Address      | t <sub>OH</sub>  | 5   |     |     | ns    |       |

**AC CHARACTERISTICS—READ CYCLE (3.3V)** $(V_{CC} = 3.3V \pm 10\%, T_A = \text{Over the Operating Range.})$ 

| PARAMETER                     | SYMBOL    | MIN | TYP | MAX | UNITS | NOTES |
|-------------------------------|-----------|-----|-----|-----|-------|-------|
| Read Cycle Time               | $t_{RC}$  | 120 |     |     | ns    |       |
| Address Access Time           | $t_{AA}$  |     |     | 120 | ns    |       |
| $\overline{CE}$ to DQ Low-Z   | $t_{CEL}$ | 5   |     |     | ns    |       |
| $\overline{CE}$ Access Time   | $t_{CEA}$ |     |     | 120 | ns    |       |
| $\overline{CE}$ Data Off Time | $t_{CEZ}$ |     |     | 40  | ns    |       |
| $\overline{OE}$ to DQ Low-Z   | $t_{OEL}$ | 5   |     |     | ns    |       |
| $\overline{OE}$ Access Time   | $t_{OEA}$ |     |     | 100 | ns    |       |
| $\overline{OE}$ Data Off Time | $t_{OEZ}$ |     |     | 35  | ns    |       |
| Output Hold from Address      | $t_{OH}$  | 5   |     |     | ns    |       |

**READ CYCLE TIMING DIAGRAM**

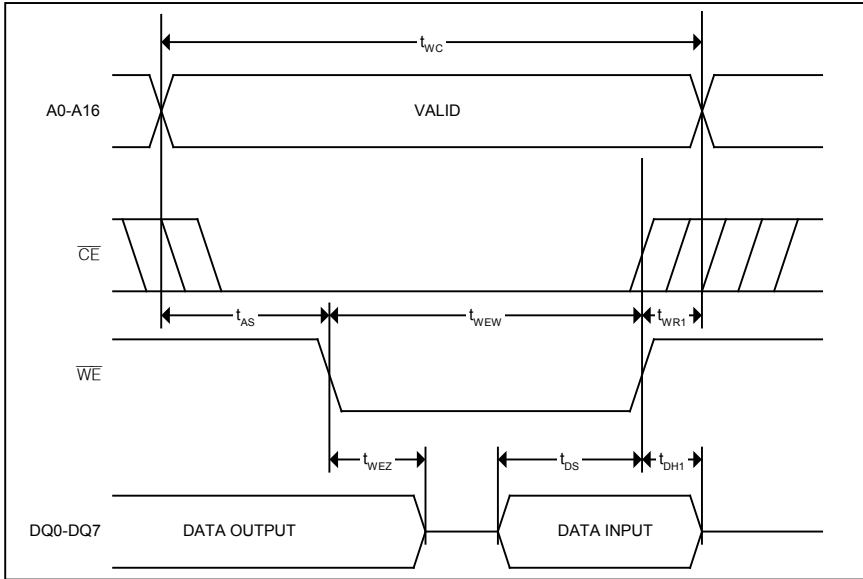
**AC CHARACTERISTICS—WRITE CYCLE (5V)**(V<sub>CC</sub> = 5.0V ±10%, T<sub>A</sub> = Over the Operating Range.)

| PARAMETER                            | SYMBOL           | MIN | TYP | MAX | UNITS | NOTES |
|--------------------------------------|------------------|-----|-----|-----|-------|-------|
| Write Cycle Time                     | t <sub>WC</sub>  | 70  |     |     | ns    |       |
| Address Setup Time                   | t <sub>AS</sub>  | 0   |     |     | ns    |       |
| $\overline{\text{WE}}$ Pulse Width   | t <sub>WEW</sub> | 50  |     |     | ns    |       |
| $\overline{\text{CE}}$ Pulse Width   | t <sub>CEW</sub> | 60  |     |     | ns    |       |
| Data Setup Time                      | t <sub>DS</sub>  | 30  |     |     | ns    |       |
| Data Hold Time                       | t <sub>DH1</sub> | 0   |     |     | ns    | 8     |
| Data Hold Time                       | t <sub>DH2</sub> | 0   |     |     | ns    | 9     |
| $\overline{\text{WE}}$ Data Off Time | t <sub>WEZ</sub> |     |     | 25  | ns    |       |
| Write Recovery Time                  | t <sub>WR1</sub> | 5   |     |     | ns    | 8     |
| Write Recovery Time                  | t <sub>WR2</sub> | 5   |     |     | ns    | 9     |

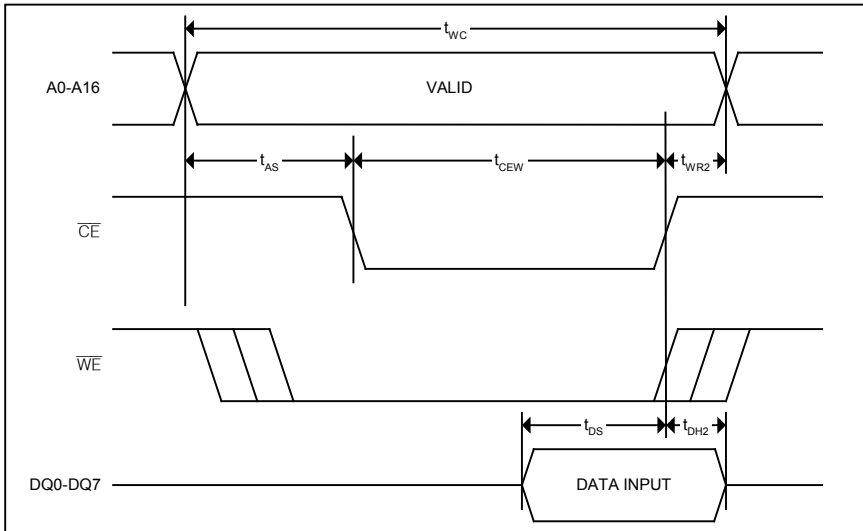
**AC CHARACTERISTICS—WRITE CYCLE (3.3V)**(V<sub>CC</sub> = 3.3V ±10%, T<sub>A</sub> = Over the Operating Range.)

| PARAMETER                                  | SYMBOL           | MIN | TYP | MAX | UNITS | NOTES |
|--|------------------|-----|-----|-----|-------|-------|
| Write Cycle Time                           | t <sub>WC</sub>  | 120 |     |     | ns    |       |
| Address Setup Time                         | t <sub>AS</sub>  | 0   |     | 120 | ns    |       |
| $\overline{\text{WE}}$ Pulse Width         | t <sub>WEW</sub> | 100 |     |     | ns    |       |
| $\overline{\text{CE}}$ Pulse Width         | t <sub>CEW</sub> | 110 |     |     | ns    |       |
| $\overline{\text{CE}}$ and CE2 Pulse Width | t <sub>CEW</sub> | 110 |     |     | ns    |       |
| Data Setup Time                            | t <sub>DS</sub>  | 80  |     |     | ns    |       |
| Data Hold Time                             | t <sub>DH1</sub> | 0   |     |     | ns    | 8     |
| Data Hold Time                             | t <sub>DH2</sub> | 0   |     |     | ns    | 9     |
| $\overline{\text{WE}}$ Data Off Time       | t <sub>WEZ</sub> |     |     | 40  | ns    |       |
| Write Recovery Time                        | t <sub>WR1</sub> | 5   |     |     | ns    | 8     |
| Write Recovery Time                        | t <sub>WR2</sub> | 10  |     |     | ns    | 9     |

**WRITE CYCLE TIMING DIAGRAM, WRITE-ENABLE CONTROLLED**



**WRITE CYCLE TIMING DIAGRAM, CHIP-ENABLE CONTROLLED**

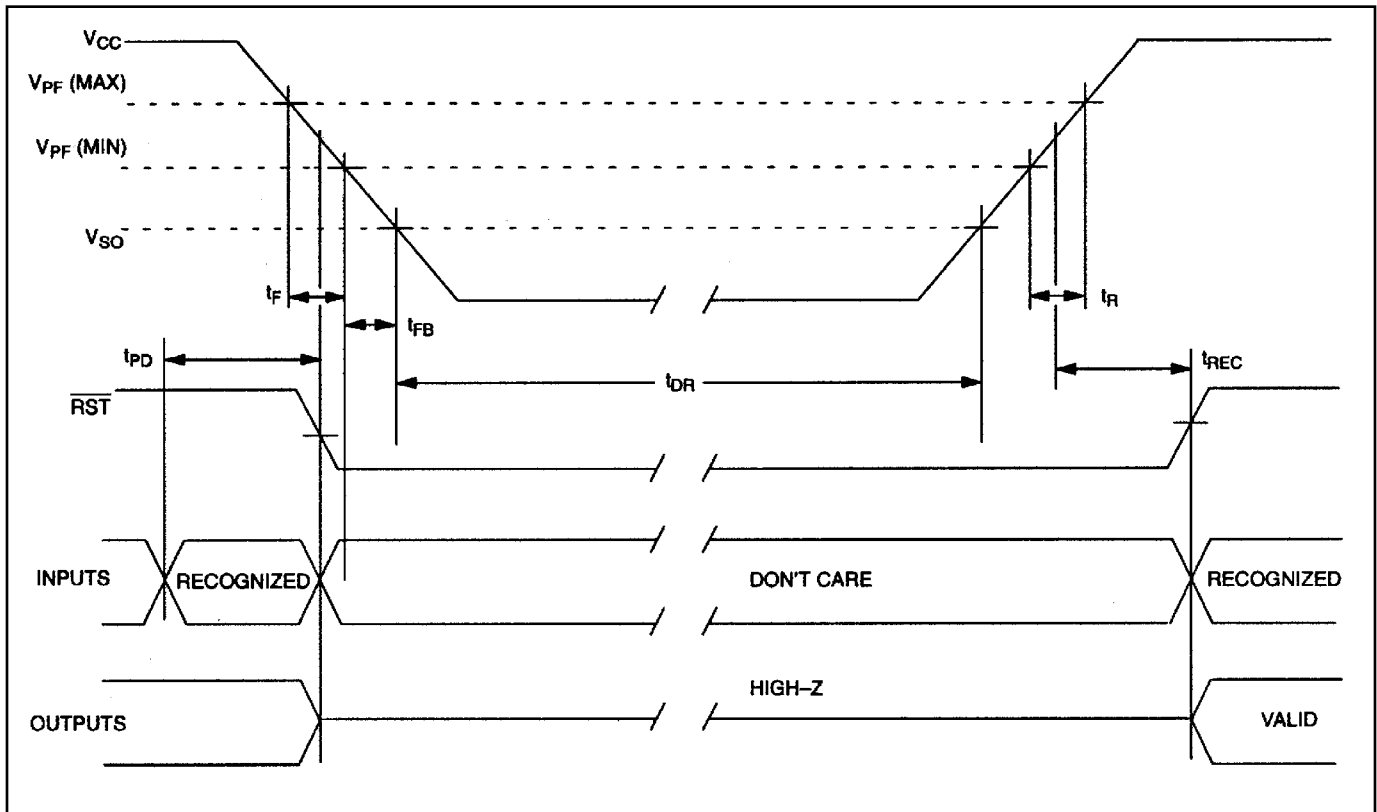


**POWER-UP/DOWN AC CHARACTERISTICS—5V**

( $V_{CC} = 5.0V \pm 10\%$ ,  $T_A =$  Over the Operating Range.)

| PARAMETER  | SYMBOL    | MIN | TYP | MAX | UNITS   | NOTES |
|--|-----------|-----|-----|-----|---------|-------|
| $\overline{CE}$ or $\overline{WE}$ at $V_H$<br>Before Power-Down | $t_{PD}$  | 0   |     |     | $\mu s$ |       |
| $V_{CC}$ Fall Time: $V_{PF(MAX)}$ to<br>$V_{PF(MIN)}$            | $t_F$     | 300 |     |     | $\mu s$ |       |
| $V_{CC}$ Fall Time: $V_{PF(MIN)}$ to $V_{SO}$                    | $t_{FB}$  | 10  |     |     | $\mu s$ |       |
| $V_{CC}$ Rise Time: $V_{PF(MIN)}$ to<br>$V_{PF(MAX)}$            | $t_R$     | 0   |     |     | $\mu s$ |       |
| Power-Up Recover Time  | $t_{REC}$ |     |     | 35  | ms      |       |
| Expected Data-Retention Time<br>(Oscillator ON)                  | $t_{DR}$  | 10  |     |     | years   | 5, 6  |

**POWER-UP/DOWN TIMING (5V DEVICE)**

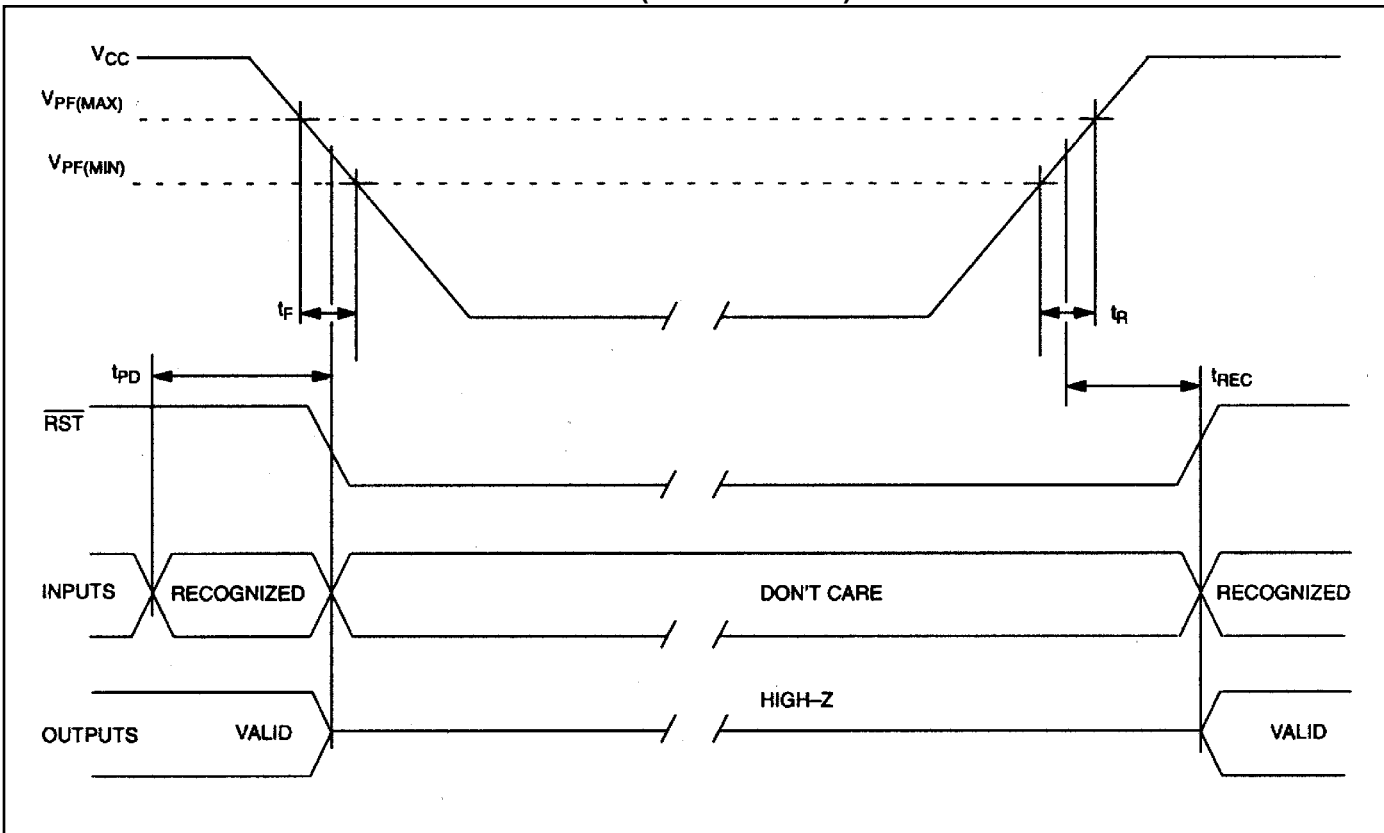


**POWER-UP/DOWN CHARACTERISTICS—3.3V**

( $V_{CC} = 3.3V \pm 10\%$ ,  $T_A =$  Over the Operating Range.)

| PARAMETER   | SYMBOL    | MIN | TYP | MAX | UNITS   | NOTES |
|---|-----------|-----|-----|-----|---------|-------|
| $\overline{CE}$ or $\overline{WE}$ at $V_H$ , Before Power-Down | $t_{PD}$  | 0   |     |     | $\mu s$ |       |
| $V_{CC}$ Fall Time: $V_{PF(MAX)}$ to $V_{PF(MIN)}$              | $t_F$     | 300 |     |     | $\mu s$ |       |
| $V_{CC}$ Rise Time: $V_{PF(MIN)}$ to $V_{PF(MAX)}$              | $t_R$     | 0   |     |     | $\mu s$ |       |
| $V_{PF}$ to $\overline{RST}$ High                               | $t_{REC}$ |     |     | 35  | ms      |       |
| Expected Data-Retention Time (Oscillator ON)                    | $t_{DR}$  | 10  |     |     | years   | 5, 6  |

**POWER-UP/DOWN WAVEFORM TIMING (3.3V DEVICE)**



**CAPACITANCE**

( $T_A = +25^\circ C$ )

| PARAMETER                      | SYMBOL   | MIN | TYP | MAX | UNITS | NOTES |
|--------------------------------|----------|-----|-----|-----|-------|-------|
| Capacitance on All Input Pins  | $C_{IN}$ |     |     | 14  | pF    |       |
| Capacitance on All Output Pins | $C_O$    |     |     | 10  | pF    |       |

## AC TEST CONDITIONS

Output Load: 50pF + 1TTL Gate

Input Pulse Levels: 0 to 3.0V

Timing Measurement Reference Levels:

Input: 1.5V

Output: 1.5V

Input Pulse Rise and Fall Times: 5ns

## NOTES:

- 1) Voltages are referenced to ground.
- 2) Typical values are at +25°C and nominal supplies.
- 3) Outputs are open.
- 4) Battery switchover occurs at the lower of either the battery terminal voltage or  $V_{PF}$ .
- 5) Data-retention time is at +25°C.
- 6) Each DS1746 has a built-in switch that disconnects the lithium source until  $V_{CC}$  is first applied by the user. The expected  $t_{DR}$  is defined for DIP modules and assembled PowerCap modules as a cumulative time in the absence of  $V_{CC}$  starting from the time power is first applied by the user.
- 7) RTC modules (DIP) can be successfully processed through conventional wave-soldering techniques as long as temperatures as long as temperature exposure to the lithium energy source contained within does not exceed +85°C. Post-solder cleaning with water-washing techniques is acceptable, provided that ultra-sonic vibration is not used.

In addition, for the PowerCap:

- a) Maxim recommends that PowerCap module bases experience one pass through solder reflow oriented with the label side up (“live-bug”).
- b) Hand soldering and touch-up: Do not touch or apply the soldering iron to leads for more than 3 seconds. To solder, apply flux to the pad, heat the lead frame pad, and apply solder. To remove the part, apply flux, heat the lead frame pad until the solder reflows, and use a solder wick to remove solder.
- 8)  $t_{WR1}$ ,  $t_{DH1}$  are measured from  $\overline{WE}$  going high.
- 9)  $t_{WR2}$ ,  $t_{DH2}$  are measured from  $\overline{CE}$  going high.
- 10)  $t_{WC} = 200\text{ns}$ .

## PACKAGE INFORMATION

For the latest package outline information and land patterns (footprints), go to [www.maximintegrated.com/packages](http://www.maximintegrated.com/packages). Note that a “+”, “#”, or “-” in the package code indicates RoHS status only. Package drawings may show a different suffix character, but the drawing pertains to the package regardless of RoHS status.

| PACKAGE TYPE | PACKAGE CODE | OUTLINE NO.             | LAND PATTERN NO. |
|--------------|--------------|-------------------------|------------------|
| 32 EDIP      | MDF32+1      | <a href="#">21-0245</a> | —                |
| 34 PWRCP     | PC2+6        | <a href="#">21-0246</a> | —                |

**REVISION HISTORY**

| <b>REVISION DATE</b> | <b>DESCRIPTION</b>   | <b>PAGES CHANGED</b> |
|----------------------|--|----------------------|
| 080508               | Added UL recognition information and weblink to the <i>Pin Description</i> table; corrected the top mark for -70 part numbers in the <i>Ordering Information</i> table; updated the write timing diagrams to show $t_{WR}$ as specified by RAM vendors   | 2, 3, 10, 12         |
| 9/10                 | Updated the <i>Ordering Information</i> table top mark information; updated the <i>Absolute Maximum Ratings</i> section to include the storage temperature range and lead and soldering temperatures for EDIP and PowerCap packages; added Note 10 to the $I_{CC}$ parameter in the <i>DC Electrical Characteristics</i> tables (for 5.0V and 3.3V) and the <i>Notes</i> section; updated the <i>Package Information</i> table | 3, 8, 9, 15          |
| 3/12                 | Updated the <i>Absolute Maximum Ratings</i> section to add the 5V and 3.3V voltage range   | 8                    |
| 6/13                 | Replaced the <i>Setting the Clock</i> section  | 5                    |

Maxim Integrated cannot assume responsibility for use of any circuitry other than circuitry entirely embodied in a Maxim Integrated product. No circuit patent licenses are implied. Maxim Integrated reserves the right to change the circuitry and specifications without notice at any time. The parametric values (min and max limits) shown in the Electrical Characteristics table are guaranteed. Other parametric values quoted in this data sheet are provided for guidance.

**Maxim Integrated 160 Rio Robles, San Jose, CA 95134 USA 1-408-601-1000**





## Стандарт Электрон Связь

Мы молодая и активно развивающаяся компания в области поставок электронных компонентов. Мы поставляем электронные компоненты отечественного и импортного производства напрямую от производителей и с крупнейших складов мира.

Благодаря сотрудничеству с мировыми поставщиками мы осуществляем комплексные и плановые поставки широчайшего спектра электронных компонентов.

Собственная эффективная логистика и склад в обеспечивает надежную поставку продукции в точно указанные сроки по всей России.

Мы осуществляем техническую поддержку нашим клиентам и предпродажную проверку качества продукции. На все поставляемые продукты мы предоставляем гарантию .

Осуществляем поставки продукции под контролем ВП МО РФ на предприятия военно-промышленного комплекса России , а также работаем в рамках 275 ФЗ с открытием отдельных счетов в уполномоченном банке. Система менеджмента качества компании соответствует требованиям ГОСТ ISO 9001.

Минимальные сроки поставки, гибкие цены, неограниченный ассортимент и индивидуальный подход к клиентам являются основой для выстраивания долгосрочного и эффективного сотрудничества с предприятиями радиоэлектронной промышленности, предприятиями ВПК и научно-исследовательскими институтами России.

С нами вы становитесь еще успешнее!

### Наши контакты:

**Телефон:** +7 812 627 14 35

**Электронная почта:** [sales@st-electron.ru](mailto:sales@st-electron.ru)

**Адрес:** 198099, Санкт-Петербург,  
Промышленная ул, дом № 19, литера Н,  
помещение 100-Н Офис 331