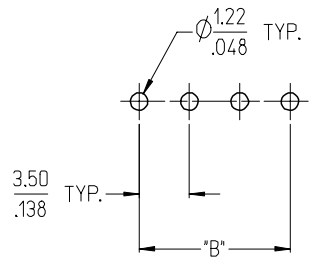
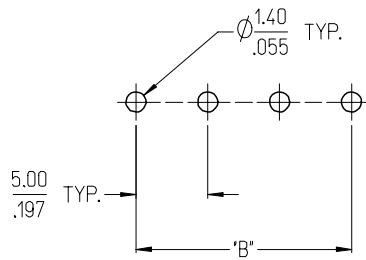


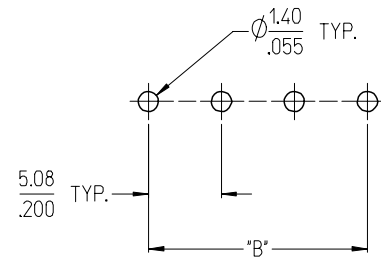
3950X SERIES  
3.50mm HEADERS



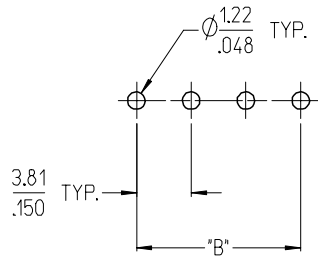
3952X & 3954X SERIES  
5.00mm HEADERS  
5.00mm 10 AMP FIXED



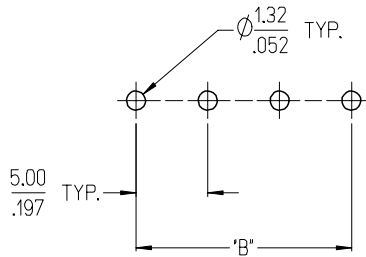
3953X SERIES  
5.08mm HEADERS



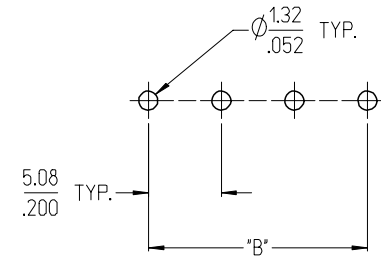
3951X SERIES  
3.81mm HEADERS



3954X SERIES  
5.00mm 15 AMP FIXED



3954X SERIES  
5.08mm 15 AMP FIXED



NOTES:

- REFER TO INDIVIDUAL PRODUCT SALES DRAWINGS FOR "B" DIMENSION.
- DOES NOT APPLY TO DUAL LEVEL HEADERS, SERIES 39528 AND 39538.
- TYP. = TYPICAL.

INITIAL RELEASE  
EC NO: ETC2007-0096  
DRWN: CLYORK 2006/10/02  
CHKD: JMACNEIL 2006/10/04  
APPR: JMACNEIL 2006/10/04

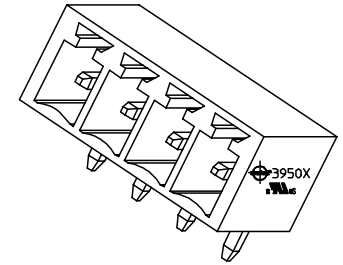
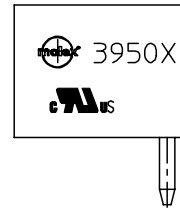
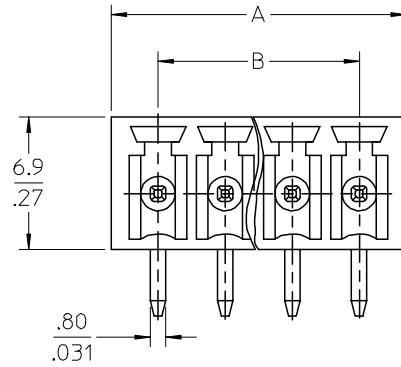
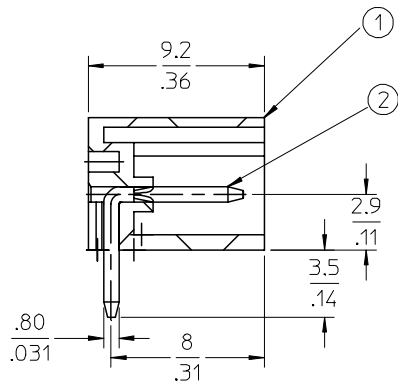
QUALITY SYMBOLS  
 = 0  
 = 0.05  
 DESCRIPTION

| GENERAL TOLERANCES (UNLESS SPECIFIED) |              |
|---------------------------------------|--------------|
|                                       | MM/INCH      |
| 4 PLACES                              | ± --- ± ---  |
| 3 PLACES                              | ± --- ± .005 |
| 2 PLACES                              | ± 0.13 ± .01 |
| 1 PLACE                               | ± 0.3 ± ---  |
| ANGULAR ± 2 °                         |              |

DRAFT WHERE APPLICABLE  
MUST REMAIN WITHIN DIMENSIONS

| DIMENSION STYLE |            |
|-----------------|------------|
| MM/IN           |            |
| DRAWN BY        | DATE       |
| C. YORK         | 2006/08/25 |
| CHECKED BY      | DATE       |
| J. MACNEIL      | 2006/08/25 |
| APPROVED BY     | DATE       |
| J. MACNEIL      | 2006/08/25 |
| MATERIAL NO.    |            |
| --              |            |

| SCALE   | DESIGN UNITS | THIRD ANGLE PROJECTION |
|---|--------------|------------------------|
| 3:1   | INCH         |                        |
| TITLE   |              |                        |
| RECOMMENDED PCB LAYOUT FOR ESE TERMINAL BLOCKS  |              |                        |
| APPROVED BY   |              |                        |
| J. MACNEIL  |              |                        |
| DATE  |              |                        |
| 2006/08/25  |              |                        |
| DOCUMENT NO.  |              | SHEET NO.              |
| SD-39501-002  |              | 1 OF 1                 |
| MATERIAL NO.  |              |                        |
| --  |              |                        |
| SIZE  |              |                        |
| B   |              |                        |
| THIS DRAWING CONTAINS INFORMATION THAT IS PROPRIETARY TO MOLEX INCORPORATED AND SHOULD NOT BE USED WITHOUT WRITTEN PERMISSION |              |                        |



**SPECIFICATIONS:**

1. Material:
  - (1). Body: PA66
  - (2). Terminal: Brass
2. Wire range: N/A
3. Electrical rating: 300V, 8A.
4. Max Torque: N/A.
5. Wire strip length: N/A.
6. Operating temperature: -40C to +105C.
7.  $A = (N \times P) + 1.39MM$
8.  $B = (N - 1) \times P$
9.  $P$  (PITCH) = 3.5MM (138").
10.  $N$  = Number of positions available 2 through 20.

|  |                                   |  |         |  |                              |                      |                           |  |  |  |
|--|-----------------------------------|--|---------|--|------------------------------|----------------------|---------------------------|--|--|--|
| ENTER DESCRIPTION<br>EC NO: NEO2006-0310<br>DRWN: LROTHAUS 2006/01/09<br>CHKD: CYORK 2006/01/09<br>APPR: JPAMLICK 2006/01/10 | QUALITY SYMBOLS<br>= 0<br>= 0.038 | GENERAL TOLERANCES (UNLESS SPECIFIED)                      |         | DIMENSION STYLE<br>MM/IN   |                              | SCALE<br>4:1         | DESIGN UNITS<br>INCH      | THIRD ANGLE PROJECTION                                 |  |  |
|  |                                   |  |         | mm   | INCH                         | DRAWN BY<br>LROTHAUS | DATE<br>12/06/05          | TITLE<br>3.5MM, EURO HEADER<br>RIGHT ANGLE, CLOSED END |  |  |
|  |                                   | 4 PLACES   | ± ---   | ± .0015  | CHECKED BY<br>C. YORK        | DATE<br>01/06/06     | APPROVED BY               |  |  |  |
|  |                                   | 3 PLACES   | ± 0.038 | ± .005   | DATE                         |                      | MATERIAL NO.<br>SEE CHART |  |  |  |
| 2 PLACES   | ± 0.13                            | ± .01  | DATE    |  | DOCUMENT NO.<br>SD-39502-001 |                      |                           |  |  |  |
| 1 PLACE  | ± 0.3                             | ± ---  | DATE    |  | SHEET NO.<br>1 OF 1          |                      |                           |  |  |  |
| ANGULAR ± 2 °  |                                   | DRAFT WHERE APPLICABLE<br>MUST REMAIN<br>WITHIN DIMENSIONS |         | THIS DRAWING CONTAINS INFORMATION THAT IS PROPRIETARY TO MOLEX<br>INCORPORATED AND SHOULD NOT BE USED WITHOUT WRITTEN PERMISSION |                              |                      |                           |  |  |  |

10 9 8 7 6 5 4 3 2 1

| Description                     | Circuit size | Material Numbers |           |           |                  |           |           |                  |           |           |                  |           | Dimensional Information |       |       |       |       |
|---------------------------------|--------------|------------------|-----------|-----------|------------------|-----------|-----------|------------------|-----------|-----------|------------------|-----------|-------------------------|-------|-------|-------|-------|
|                                 |              | Black            |           |           |                  |           |           | Green            |           |           |                  |           | Dim. A                  |       | Dim B |       |       |
|                                 |              | 100% Tin         |           |           | 30 u" Gold       |           |           | 100% Tin         |           |           | 30 u" Gold       |           |                         |       |       |       |       |
|                                 |              | Printing Options |           |           | Printing Options |           |           | Printing Options |           |           | Printing Options |           |                         |       |       |       |       |
| None                            | 10A          | 11A              | None      | 10A       | 11A              | None      | 10A       | 11A              | None      | 10A       | 11A              | mm        | inch                    | mm    | inch  |       |       |
| 3.5mm, Euro Header, Right Angle | 2            | 395021002        | 395021102 | 395021202 | 395021502        | 395021602 | 395021702 | 395026002        | 395026102 | 395026202 | 395026502        | 395026602 | 395026702               | 8.40  | 0.331 | 3.50  | 0.138 |
| 3.5mm, Euro Header, Right Angle | 3            | 395021003        | 395021103 | 395021203 | 395021503        | 395021603 | 395021703 | 395026003        | 395026103 | 395026203 | 395026503        | 395026603 | 395026703               | 11.90 | 0.469 | 7.00  | 0.276 |
| 3.5mm, Euro Header, Right Angle | 4            | 395021004        | 395021104 | 395021204 | 395021504        | 395021604 | 395021704 | 395026004        | 395026104 | 395026204 | 395026504        | 395026604 | 395026704               | 15.40 | 0.606 | 10.50 | 0.413 |
| 3.5mm, Euro Header, Right Angle | 5            | 395021005        | 395021105 | 395021205 | 395021505        | 395021605 | 395021705 | 395026005        | 395026105 | 395026205 | 395026505        | 395026605 | 395026705               | 18.90 | 0.744 | 14.00 | 0.551 |
| 3.5mm, Euro Header, Right Angle | 6            | 395021006        | 395021106 | 395021206 | 395021506        | 395021606 | 395021706 | 395026006        | 395026106 | 395026206 | 395026506        | 395026606 | 395026706               | 22.40 | 0.882 | 17.50 | 0.689 |
| 3.5mm, Euro Header, Right Angle | 7            | 395021007        | 395021107 | 395021207 | 395021507        | 395021607 | 395021707 | 395026007        | 395026107 | 395026207 | 395026507        | 395026607 | 395026707               | 25.90 | 1.020 | 21.00 | 0.827 |
| 3.5mm, Euro Header, Right Angle | 8            | 395021008        | 395021108 | 395021208 | 395021508        | 395021608 | 395021708 | 395026008        | 395026108 | 395026208 | 395026508        | 395026608 | 395026708               | 29.40 | 1.157 | 24.50 | 0.965 |
| 3.5mm, Euro Header, Right Angle | 9            | 395021009        | 395021109 | 395021209 | 395021509        | 395021609 | 395021709 | 395026009        | 395026109 | 395026209 | 395026509        | 395026609 | 395026709               | 32.90 | 1.295 | 28.00 | 1.102 |
| 3.5mm, Euro Header, Right Angle | 10           | 395021010        | 395021110 | 395021210 | 395021510        | 395021610 | 395021710 | 395026010        | 395026110 | 395026210 | 395026510        | 395026610 | 395026710               | 36.40 | 1.433 | 31.50 | 1.240 |
| 3.5mm, Euro Header, Right Angle | 11           | 395021011        | 395021111 | 395021211 | 395021511        | 395021611 | 395021711 | 395026011        | 395026111 | 395026211 | 395026511        | 395026611 | 395026711               | 39.90 | 1.571 | 35.00 | 1.378 |
| 3.5mm, Euro Header, Right Angle | 12           | 395021012        | 395021112 | 395021212 | 395021512        | 395021612 | 395021712 | 395026012        | 395026112 | 395026212 | 395026512        | 395026612 | 395026712               | 43.40 | 1.709 | 38.50 | 1.516 |
| 3.5mm, Euro Header, Right Angle | 13           | 395021013        | 395021113 | 395021213 | 395021513        | 395021613 | 395021713 | 395026013        | 395026113 | 395026213 | 395026513        | 395026613 | 395026713               | 46.90 | 1.846 | 42.00 | 1.654 |
| 3.5mm, Euro Header, Right Angle | 14           | 395021014        | 395021114 | 395021214 | 395021514        | 395021614 | 395021714 | 395026014        | 395026114 | 395026214 | 395026514        | 395026614 | 395026714               | 50.40 | 1.984 | 45.50 | 1.791 |
| 3.5mm, Euro Header, Right Angle | 15           | 395021015        | 395021115 | 395021215 | 395021515        | 395021615 | 395021715 | 395026015        | 395026115 | 395026215 | 395026515        | 395026615 | 395026715               | 53.90 | 2.122 | 49.00 | 1.929 |
| 3.5mm, Euro Header, Right Angle | 16           | 395021016        | 395021116 | 395021216 | 395021516        | 395021616 | 395021716 | 395026016        | 395026116 | 395026216 | 395026516        | 395026616 | 395026716               | 57.40 | 2.260 | 52.50 | 2.067 |
| 3.5mm, Euro Header, Right Angle | 17           | 395021017        | 395021117 | 395021217 | 395021517        | 395021617 | 395021717 | 395026017        | 395026117 | 395026217 | 395026517        | 395026617 | 395026717               | 60.90 | 2.398 | 56.00 | 2.205 |
| 3.5mm, Euro Header, Right Angle | 18           | 395021018        | 395021118 | 395021218 | 395021518        | 395021618 | 395021718 | 395026018        | 395026118 | 395026218 | 395026518        | 395026618 | 395026718               | 64.40 | 2.535 | 59.50 | 2.343 |
| 3.5mm, Euro Header, Right Angle | 19           | 395021019        | 395021119 | 395021219 | 395021519        | 395021619 | 395021719 | 395026019        | 395026119 | 395026219 | 395026519        | 395026619 | 395026719               | 67.90 | 2.673 | 63.00 | 2.480 |
| 3.5mm, Euro Header, Right Angle | 20           | 395021020        | 395021120 | 395021220 | 395021520        | 395021620 | 395021720 | 395026020        | 395026120 | 395026220 | 395026520        | 395026620 | 395026720               | 71.40 | 2.811 | 66.50 | 2.618 |

|   |                               |  |  |   |  |                  |              |                        |  |
|---|-------------------------------|--|--|---|--|------------------|--------------|------------------------|--|
| SEE SHEET 1<br>EC NO: NEC2006-0310<br>DRWNL: LROTHAUS 2006/01/09<br>CHKDC: CYORK 2006/01/09<br>APPR: J.P.A.M.L.C.K 2006/01/10 | QUALITY SYMBOLS<br>▽=0<br>▽=0 | GENERAL TOLERANCES (UNLESS SPECIFIED)                |  | DIMENSION STYLE   |  | SCALE            | DESIGN UNITS | THIRD ANGLE PROJECTION |  |
|   |                               |  |  | MM/IN   |  | 4:1              | INCH         |                        |  |
|   |                               |  |  | DRAWN BY DATE   |  | TITLE            |              |                        |  |
|   |                               |  |  | CHECKED BY DATE   |  | APPROVED BY DATE |              |                        |  |
|   |                               | MATERIAL NO.   |  | DOCUMENT NO.  |  |                  |              |                        |  |
|   |                               | DRAFT WHERE APPLICABLE MUST REMAIN WITHIN DIMENSIONS |  | SEE CHART   |  |                  |              |                        |  |
|   |                               | SIZE B   |  | THIS DRAWING CONTAINS INFORMATION THAT IS PROPRIETARY TO MOLEX INCORPORATED AND SHOULD NOT BE USED WITHOUT WRITTEN PERMISSION |  |                  |              |                        |  |

9 8 7 6 5 4 3 2 1



## Стандарт Электрон Связь

Мы молодая и активно развивающаяся компания в области поставок электронных компонентов. Мы поставляем электронные компоненты отечественного и импортного производства напрямую от производителей и с крупнейших складов мира.

Благодаря сотрудничеству с мировыми поставщиками мы осуществляем комплексные и плановые поставки широчайшего спектра электронных компонентов.

Собственная эффективная логистика и склад в обеспечивает надежную поставку продукции в точно указанные сроки по всей России.

Мы осуществляем техническую поддержку нашим клиентам и предпродажную проверку качества продукции. На все поставляемые продукты мы предоставляем гарантию .

Осуществляем поставки продукции под контролем ВП МО РФ на предприятия военно-промышленного комплекса России , а также работаем в рамках 275 ФЗ с открытием отдельных счетов в уполномоченном банке. Система менеджмента качества компании соответствует требованиям ГОСТ ISO 9001.

Минимальные сроки поставки, гибкие цены, неограниченный ассортимент и индивидуальный подход к клиентам являются основой для выстраивания долгосрочного и эффективного сотрудничества с предприятиями радиоэлектронной промышленности, предприятиями ВПК и научно-исследовательскими институтами России.

С нами вы становитесь еще успешнее!

### Наши контакты:

**Телефон:** +7 812 627 14 35

**Электронная почта:** [sales@st-electron.ru](mailto:sales@st-electron.ru)

**Адрес:** 198099, Санкт-Петербург,  
Промышленная ул, дом № 19, литера Н,  
помещение 100-Н Офис 331