

Electronic housing BC for distributor boards

The requirements of modern building automation grow constantly and change with regard to comfort, control, intelligent linking of systems and their communication options permanently.

The BC... electronic housings were designed for future-oriented applications in building automation.

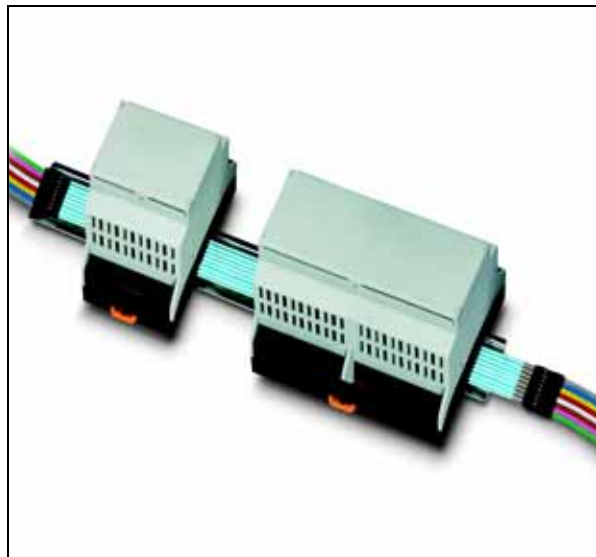
Besides the modern design, this housing family offers numerous other features.

The housing complies with DIN 43880, thus guaranteeing problem-free operation in all common distributor boards.

By using the HBUS 16-pos. DIN rail bus connector, connectivity from device to device is established.

The cross connector allows power supply, parallel feed-through as well as serial processing of signals through the PCB.

Plugging in and unplugging of individual devices is possible without breaking up the bussed signals.



COMBICON Select

The COMBICON search engine with CAD downloading



COMBICON Select – The printed circuit board connection software supports your workflow from the PCB and housing layout to the ordering process with:

- Systematic and fast selection of products
- Seamless Internet-aided engineering with comprehensive CAD download
- Easy-to-use e-shopping functions.

select.phoenixcontact.com/combicon

Housing features

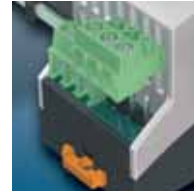


Built-in connectivity from device to device

The 16-position DIN rail bus connector provides for both parallel and serial data transmission and power supply.

Free choice of the matching PCB technology

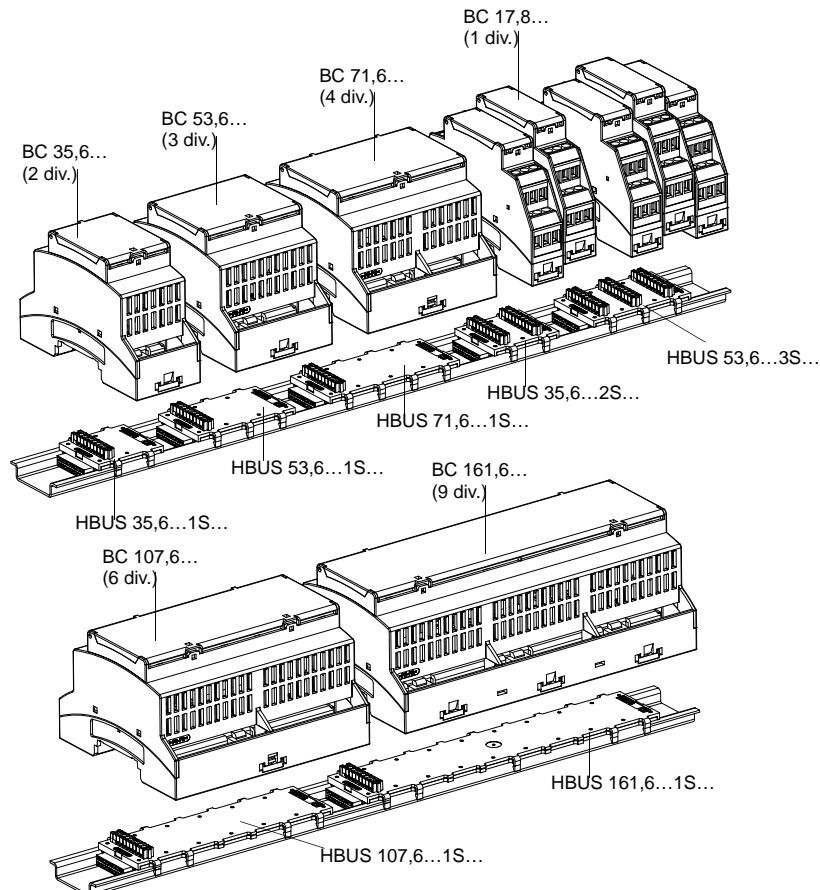
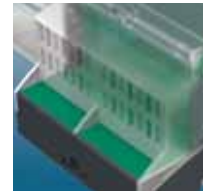
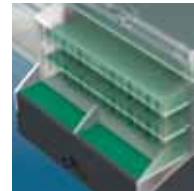
The BC...U11 housing types with a small terminal space are ideal for COMBICON compact building automation connection systems. If classical connection systems or data plug connectors are to be used, the BC...U22 housing variants with a large terminal space are available.



Different cover versions for an ideal device design

A captive snap-in cover in the same color as the housing or a transparent hinged cover that can be sealed – the perfect finish for all applications.

Flexible device design
Inner PCB guides in all three directions support functional and convenient installation of the electronic system.



Electronic housing BC for distributor boards BC 17,8 ... (1 div.)



Description

Housing lower part	
Housing upper part , for PCB terminal block connection	
Housing cover , with the housing upper part with captive locking, in housing color	
Housing cover , hinged, can be sealed, transparent, incl. fitted cover	
DIN rail bus connector , 16-pos., two 18-pos. slots to the PCB	
DIN rail bus connector , 16-pos., three 18-pos. slots to the PCB	
Power connector for DIN rail bus connector , socket strip	
Power connector for DIN rail bus connector , pin strip	
Cover caps for empty terminal space	
PCB terminal block , for soldering into the PCB	Left Right
Technical data	
Insulation material	
Inflammability class in acc. with UL 94	
Color, housing lower part	
Color, housing upper part	

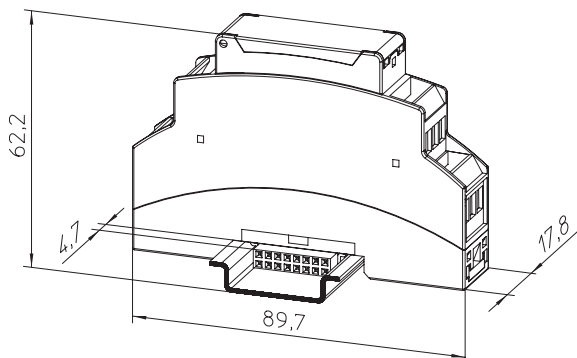
Type

Order No.

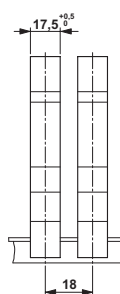
Pcs./Pkt.

BC 17,8 UT HBUS BK	2896241	10
BC 17,8 OT-MKDSO KMGY	2896092	10
BC 17,8 DKL R KMGY	2896144	10
BC 17,8 DKL S TRANS	2896102	10
HBUS 35,6-16P-2S BK	2896319	10
HBUS 53,6-16P-3S BK	2896322	10
BL2-2,54/16-ST	2896335	50
SL2-2,54/16-ST	2896348	50
ME B-17,5 MKDSO KMGY	2854115	50
MKDSO 2,5/3-L KMGY	2854102	50
MKDSO 2,5/3-R KMGY	2854092	50
	Polycarbonate	
	V0	
	Black	
	Light gray	

Housing dimensional drawing



Dimensions for the pitch unit



Pitch unit (div.) = 18 mm, in acc. with DIN 43880
Dimensions and tolerances in acc. with DIN 43880

Electronic housing BC for distributor boards BC 35,6 ... (2 div.)



Description

Housing lower part

Housing upper part, with vents,
terminal installation depth 11.1 mm

Housing upper part, with vents,
terminal installation depth 22.35 mm

Housing cover, with the housing upper part with captive locking,
in housing color

Housing cover, hinged, can be sealed, transparent, incl. fitted cover

DIN rail bus connector, 16-pos., one 18-pos. slot to the PCB

Power connector for DIN rail bus connector, socket strip

Power connector for DIN rail bus connector, pin strip

Cover caps for empty terminal space, width 17.6 mm,
for terminal installation depth 11.1 mm

Cover caps for empty terminal space, width 17.6 mm,
for terminal installation depth 22.35 mm

Cover caps for empty terminal space, width 35.6 mm,
for terminal installation depth 11.1 mm

Cover caps for empty terminal space, width 35.6 mm,
for terminal installation depth 22.35 mm

Technical data

Insulation material

Inflammability class in acc. with UL 94

Color, housing lower part

Color, housing upper part

Type

Order No.

Pcs./Pkt.

BC 35,6 UT HBUS BK	2896254	10
BC 35,6 OT U11 KMGY	2896034	10
BC 35,6 OT U22 KMGY	2896047	10
BC 35,6 DKL R KMGY	2896157	10
BC 35,6 DKL S TRANS	2896115	10
HBUS 35,6-16P-1S BK	2896283	10
BL2-2,54/16-ST	2896335	50
SL2-2,54/16-ST	2896348	50
BC 17,6 BS U11 KMGY	2896186	50
BC 17,6 BS U22 KMGY	2896199	50
BC 35,6 BS U11 KMGY	2896209	50
BC 35,6 BS U22 KMGY	2896212	50

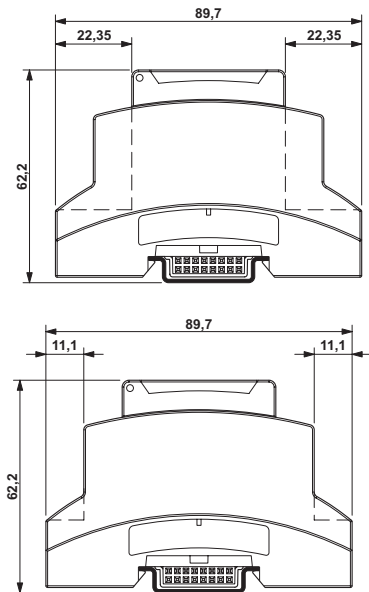
Polycarbonate

V0

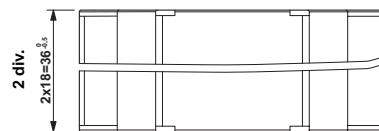
Black

Light gray

Housing dimensional drawing



Housing top view



Dimensions and tolerances in acc. with DIN 43880

Electronic housing BC for distributor boards BC 53,6 ... (3 div.)



Description

Housing lower part

Housing upper part, with vents,
terminal installation depth 11.1 mm

Housing upper part, with vents,
terminal installation depth 22.35 mm

Housing cover, with the housing upper part with captive locking,
in housing color

Housing cover, hinged, can be sealed, transparent, incl. fitted cover

DIN rail bus connector, 16-pos., one 18-pos. slot to the PCB

Power connector for DIN rail bus connector, socket strip

Power connector for DIN rail bus connector, pin strip

Cover caps for empty terminal space, width 17.6 mm,
for terminal installation depth 11.1 mm

Cover caps for empty terminal space, width 17.6 mm,
for terminal installation depth 22.35 mm

Cover caps for empty terminal space, width 35.6 mm,
for terminal installation depth 11.1 mm

Cover caps for empty terminal space, width 35.6 mm,
for terminal installation depth 22.35 mm

Cover caps for empty terminal space, width 53.6 mm,
for terminal installation depth 11.1 mm

Cover caps for empty terminal space, width 53.6 mm,
for terminal installation depth 22.35 mm

Technical data

Insulation material

Inflammability class in acc. with UL 94

Color, housing lower part

Color, housing upper part

Type

Order No.

Pcs./Pkt.

BC 53,6 UT HBUS BK	2896403	10
BC 53,6 OT U11 KMGY	2896416	10
BC 53,6 OT U22 KMGY	2896429	10
BC 53,6 DKL R KMGY	2896432	10
BC 53,6 DKL S TRANS	2896445	10
HBUS 53,6-16P-1S BK	2896458	10
BL2-2,54/16-ST	2896335	50
SL2-2,54/16-ST	2896348	50
BC 17,6 BS U11 KMGY	2896186	50
BC 17,6 BS U22 KMGY	2896199	50
BC 35,6 BS U11 KMGY	2896209	50
BC 35,6 BS U22 KMGY	2896212	50
BC 53,6 BS U11 KMGY	2896225	50
BC 53,6 BS U22 KMGY	2896238	50

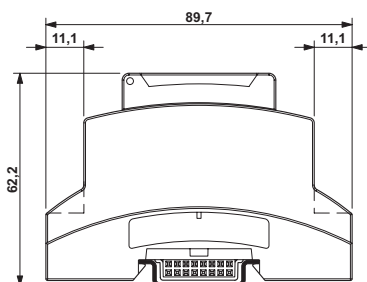
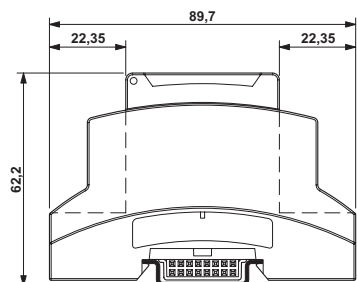
Polycarbonate

V0

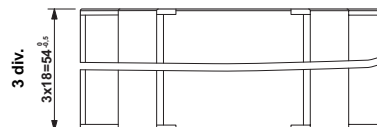
Black

Light gray

Housing dimensional drawing



Housing top view



Dimensions and tolerances in acc. with DIN 43880

Electronic housing BC for distributor boards BC 71,6 ... (4 div.)

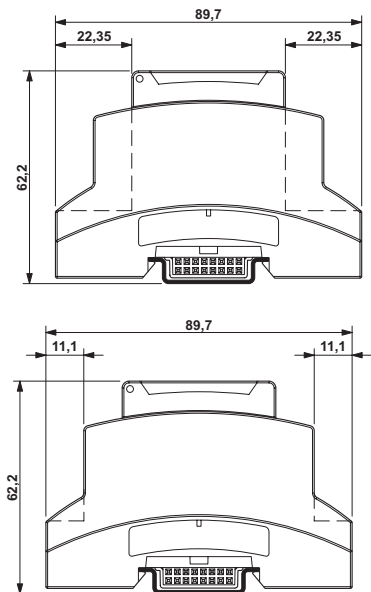


Description

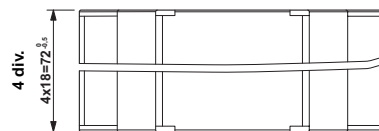
Housing lower part
Housing upper part, with vents, terminal installation depth 11.1 mm
Housing upper part, with vents, terminal installation depth 22.35 mm
Housing cover, with the housing upper part with captive locking, in housing color
Housing cover, hinged, can be sealed, transparent, incl. fitted cover
DIN rail bus connector, 16-pos., one 18-pos. slot to the PCB
Power connector for DIN rail bus connector, socket strip
Power connector for DIN rail bus connector, pin strip
Cover caps for empty terminal space, width 17.6 mm, for terminal installation depth 11.1 mm
Cover caps for empty terminal space, width 17.6 mm, for terminal installation depth 22.35 mm
Cover caps for empty terminal space, width 35.6 mm, for terminal installation depth 11.1 mm
Cover caps for empty terminal space, width 35.6 mm, for terminal installation depth 22.35 mm
Technical data
Insulation material
Inflammability class in acc. with UL 94
Color, housing lower part
Color, housing upper part

Type	Order No.	Pcs./Pkt.
BC 71,6 UT HBUS BK	2896267	10
BC 71,6 OT U11 KMGY	2896050	10
BC 71,6 OT U22 KMGY	2896063	10
BC 71,6 DKL R KMGY	2896160	10
BC 71,6 DKL S TRANS	2896128	10
HBUS 71,6-16P-1S BK	2896296	10
BL2-2,54/16-ST	2896335	50
SL2-2,54/16-ST	2896348	50
BC 17,6 BS U11 KMGY	2896186	50
BC 17,6 BS U22 KMGY	2896199	50
BC 35,6 BS U11 KMGY	2896209	50
BC 35,6 BS U22 KMGY	2896212	50
Polycarbonate		
V0		
Black		
Light gray		

Housing dimensional drawing



Housing top view



Dimensions and tolerances in acc. with DIN 43880

Electronic housing BC for distributor boards BC 107,6 ... (6 div.)



Description

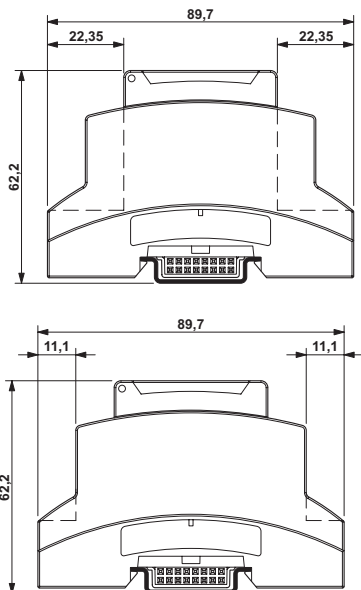
Housing lower part
Housing upper part , with vents, terminal installation depth 11.1 mm
Housing upper part , with vents, terminal installation depth 22.35 mm
Housing cover , with the housing upper part with captive locking, in housing color
Housing cover , hinged, can be sealed, transparent, incl. fitted cover
DIN rail bus connector , 16-pos., one 18-pos. slot to the PCB
Power connector for DIN rail bus connector , socket strip
Power connector for DIN rail bus connector , pin strip
Cover caps for empty terminal space, width 17.6 mm, for terminal installation depth 11.1 mm
Cover caps for empty terminal space, width 17.6 mm, for terminal installation depth 22.35 mm
Cover caps for empty terminal space, width 35.6 mm, for terminal installation depth 11.1 mm
Cover caps for empty terminal space, width 35.6 mm, for terminal installation depth 22.35 mm
Cover caps for empty terminal space, width 53.6 mm, for terminal installation depth 11.1 mm
Cover caps for empty terminal space, width 53.6 mm, for terminal installation depth 22.35 mm
Technical data
Insulation material
Inflammability class in acc. with UL 94
Color, housing lower part
Color, housing upper part

Type

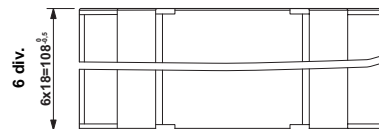
Type	Order No.	Pcs./Pkt.
BC 107,6 UT HBUS BK	2896270	10
BC 107,6 OT U11 KMGY	2896076	10
BC 107,6 OT U22 KMGY	2896089	10
BC 107,6 DKL R KMGY	2896173	10
BC 107,6 DKL S TRANS	2896131	10
HBUS 107,6-16P-1S BK	2896306	10
BL2-2,54/16-ST	2896335	50
SL2-2,54/16-ST	2896348	50
BC 17,6 BS U11 KMGY	2896186	50
BC 17,6 BS U22 KMGY	2896199	50
BC 35,6 BS U11 KMGY	2896209	50
BC 35,6 BS U22 KMGY	2896212	50
BC 53,6 BS U11 KMGY	2896225	50
BC 53,6 BS U22 KMGY	2896238	50

Polycarbonate
V0
Black
Light gray

Housing dimensional drawing



Housing top view



Dimensions and tolerances in acc. with DIN 43880

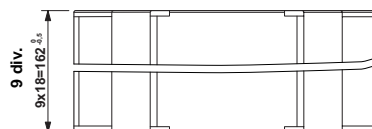
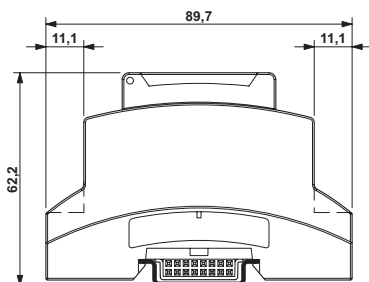
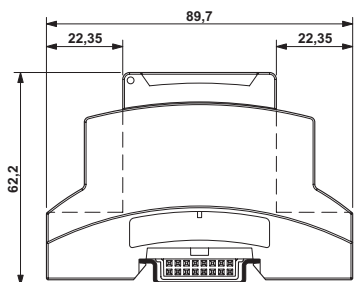
Electronic housing BC for distributor boards BC 161,6 ... (9 div.)



Description

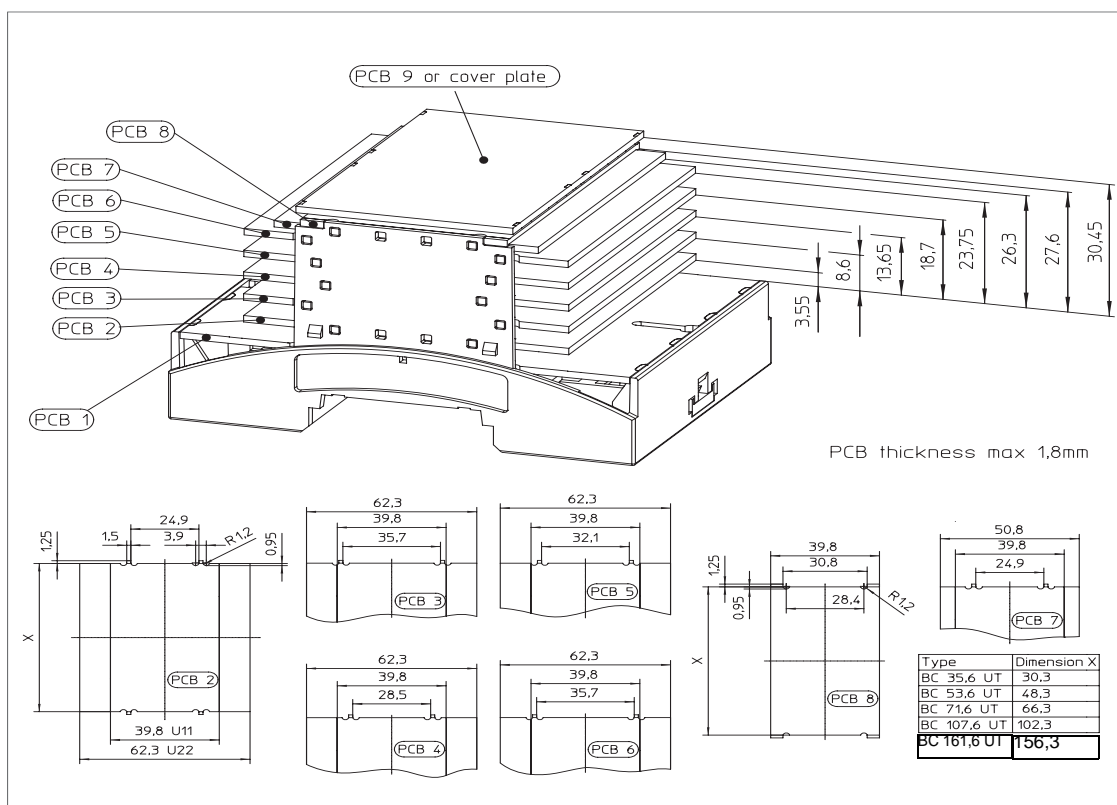
Housing lower part
Housing upper part , with vents, terminal installation depth 11.1 mm
Housing upper part , with vents, terminal installation depth 22.35 mm
Housing cover , with the housing upper part with captive locking, in housing color
Housing cover , hinged, can be sealed, transparent, incl. fitted cover
DIN rail bus connector , 16-pos., one 18-pos. slot to the PCB
Power connector for DIN rail bus connector , socket strip
Power connector for DIN rail bus connector , pin strip
Cover caps for empty terminal space, width 17.6 mm, for terminal installation depth 11.1 mm
Cover caps for empty terminal space, width 17.6 mm, for terminal installation depth 22.35 mm
Cover caps for empty terminal space, width 35.6 mm, for terminal installation depth 11.1 mm
Cover caps for empty terminal space, width 35.6 mm, for terminal installation depth 22.35 mm
Cover caps for empty terminal space, width 53.6 mm, for terminal installation depth 11.1 mm
Cover caps for empty terminal space, width 53.6 mm, for terminal installation depth 22.35 mm
Technical data
Insulation material
Inflammability class in acc. with UL 94
Color, housing lower part
Color, housing upper part

Type	Order No.	Pcs./Pkt.
BC 161,6 UT HBUS BK	2278500	10
BC 161,6 OT U11 KMGY	2278513	10
BC 161,6 OT U22 KMGY	2278526	10
BC 161,6 DKL R KMGY	2278539	10
BC 161,6 DKL S TRANS	2278542	10
HBUS 161,6-16P-1S BK	2278555	10
BL2-2,54/16-ST	2896335	50
SL2-2,54/16-ST	2896348	50
BC 17,6 BS U11 KMGY	2896186	50
BC 17,6 BS U22 KMGY	2896199	50
BC 35,6 BS U11 KMGY	2896209	50
BC 35,6 BS U22 KMGY	2896212	50
BC 53,6 BS U11 KMGY	2896225	50
BC 53,6 BS U22 KMGY	2896238	50
Polycarbonate		
V0		
Black		
Light gray		



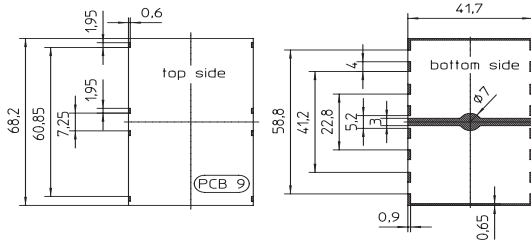
Dimensions and tolerances in acc. with DIN 43880

Overview of the PCB plugging possibilities (horizontal PCBs) and PCB dimensions for PCB 2 - 8

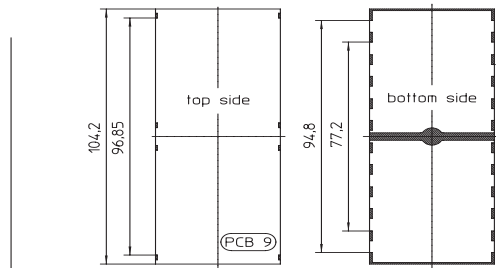


PCB dimensions for PCB 9

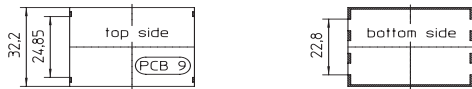
for electronic housing BC 71,6...



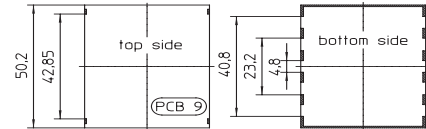
for electronic housing BC 107,6...



for electronic housing BC 35,6...



for electronic housing BC 53,6...

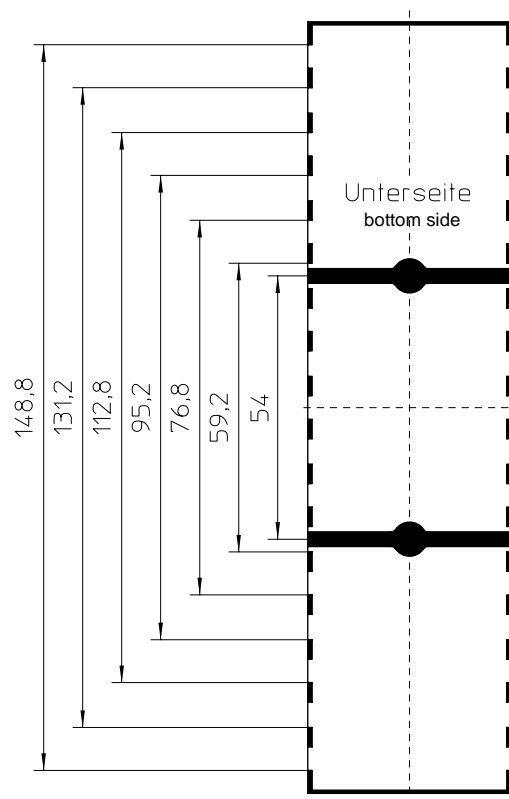
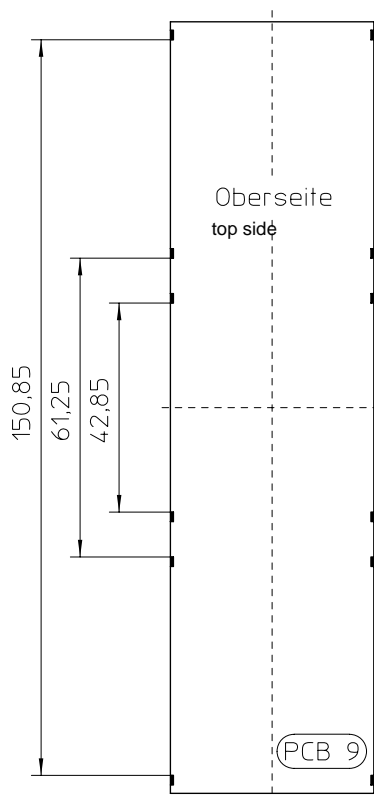


Blocking area, no components must be placed at these positions.

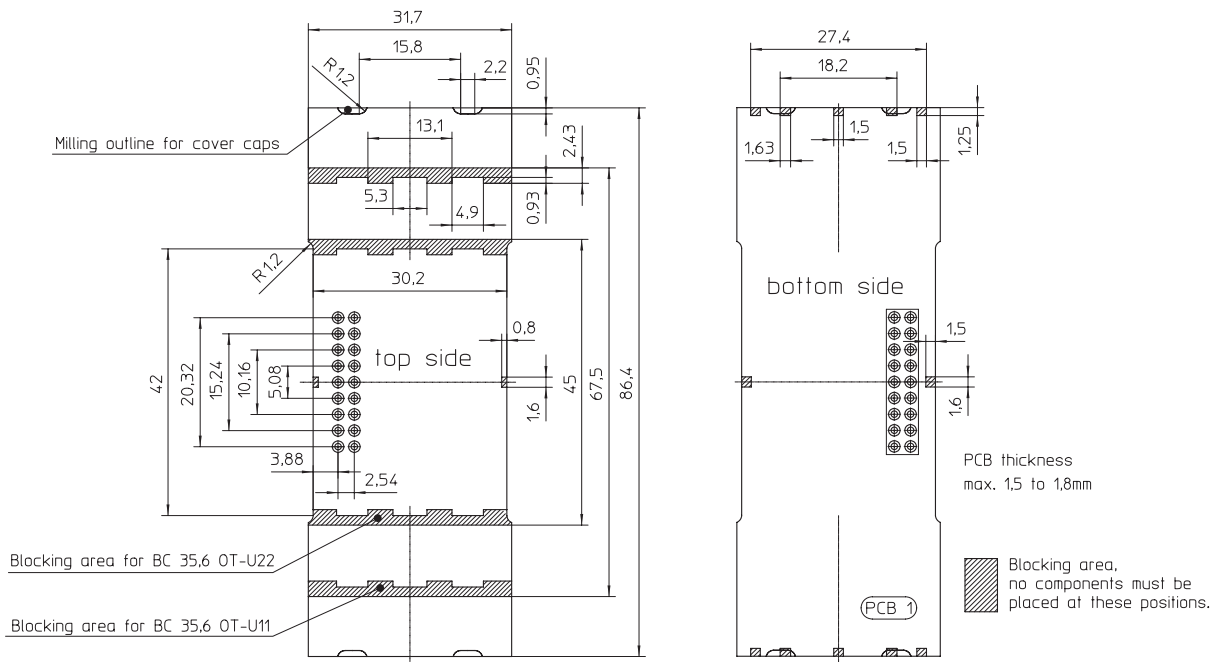
PCB thickness max. 1.8mm

PCB dimensions for PCB 9

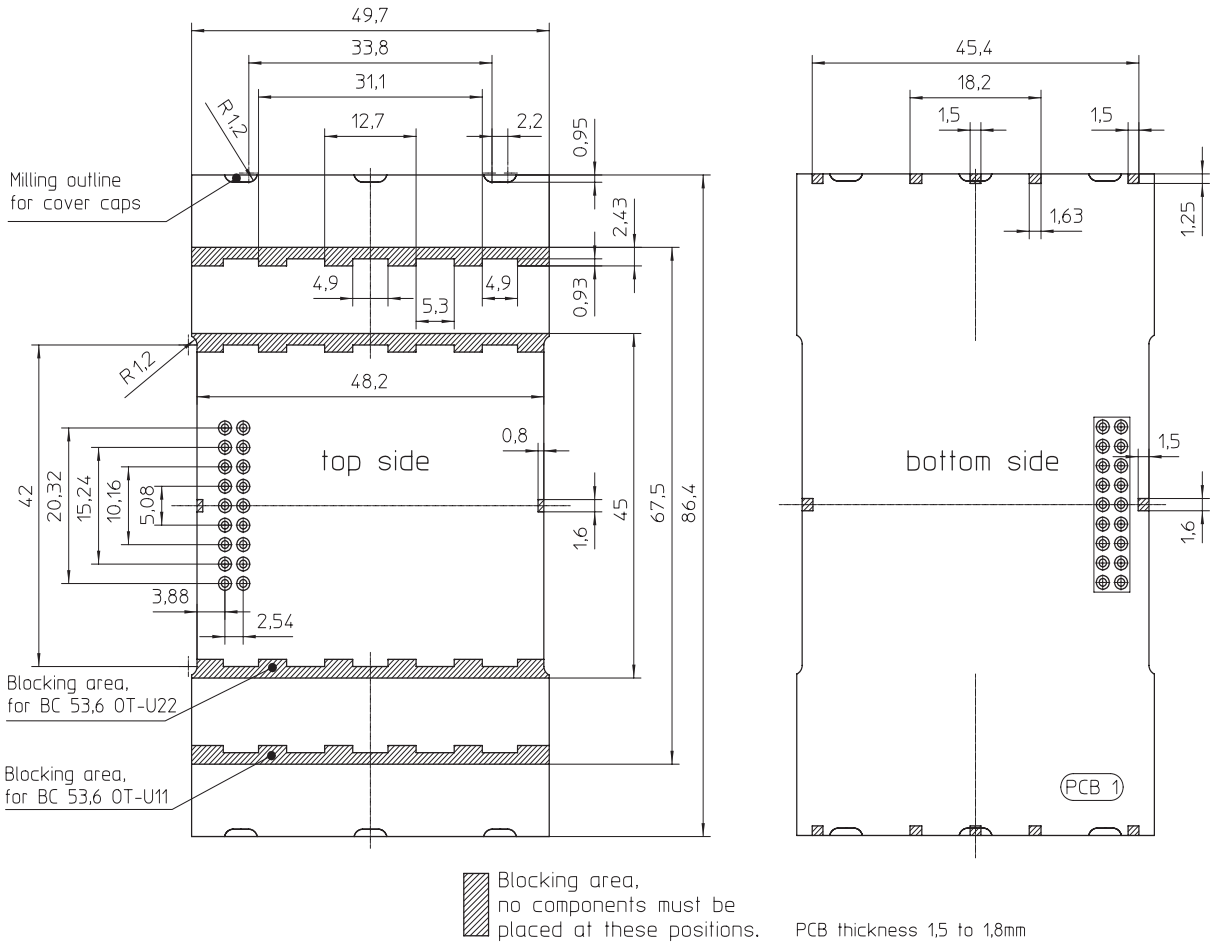
for electronic housing BC 161,6



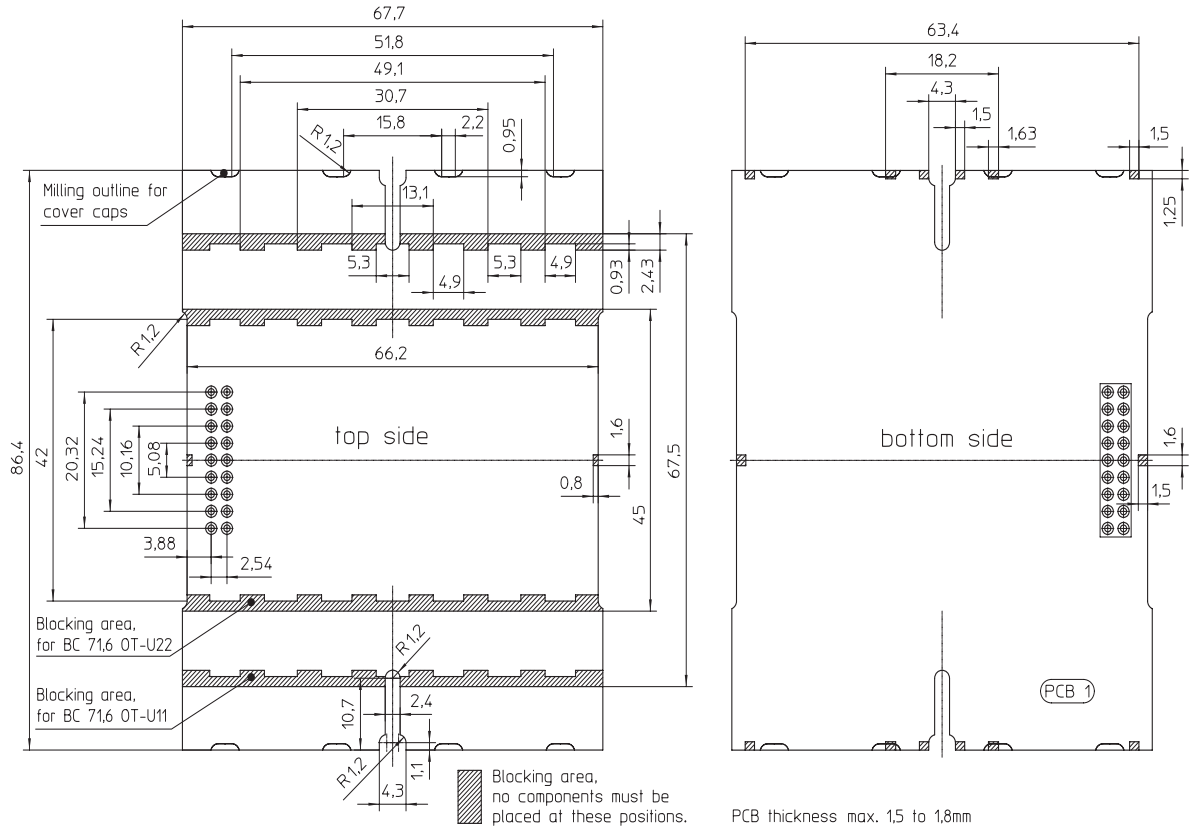
PCB dimensions for PCB 1 for electronic housing BC 35,6...



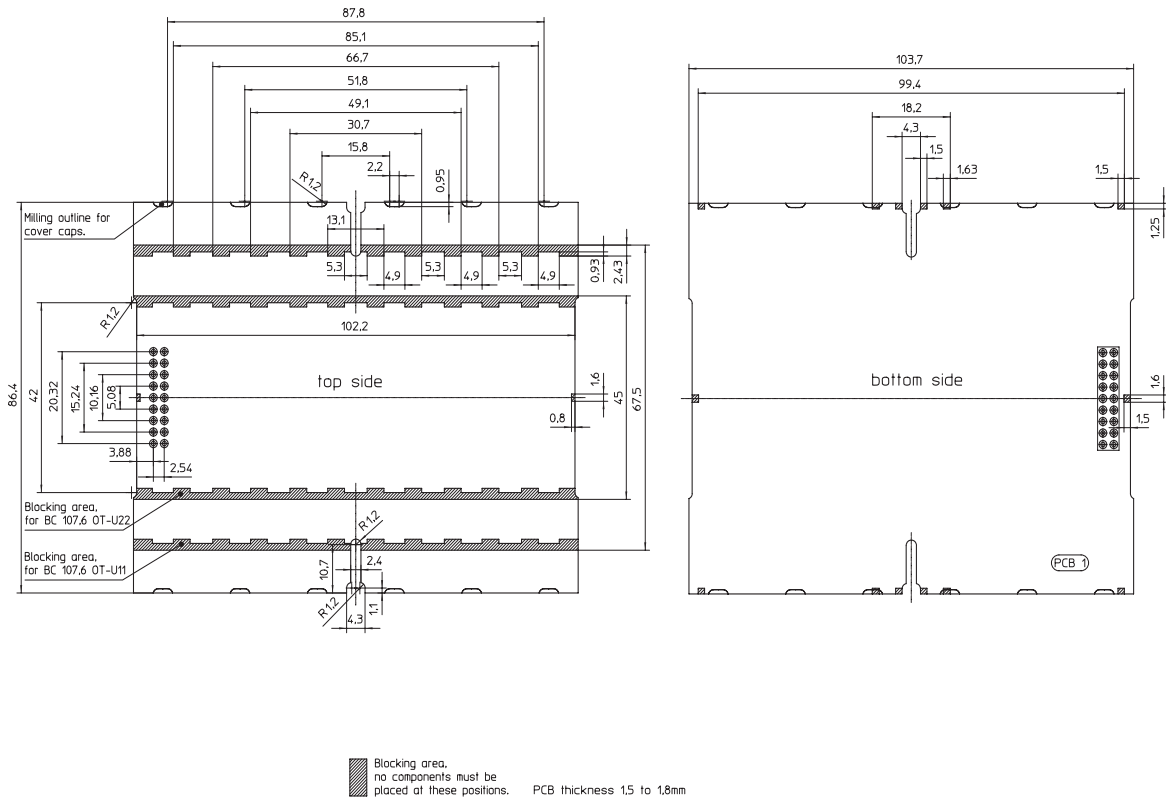
PCB dimensions for PCB 1 for electronic housing BC 53,6...



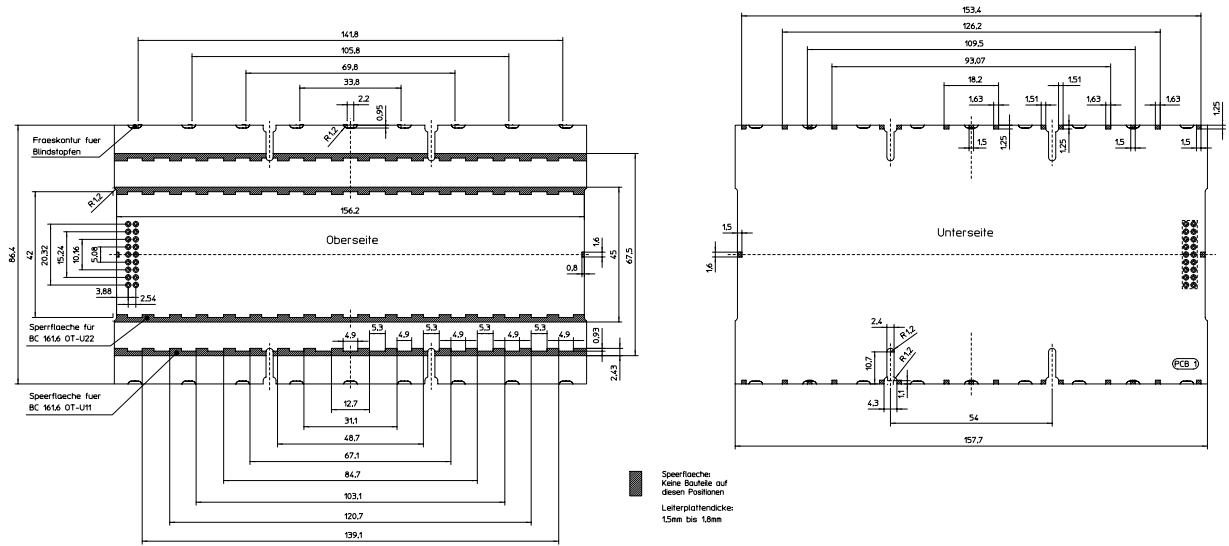
PCB dimensions for PCB 1 for electronic housing BC 71,6...



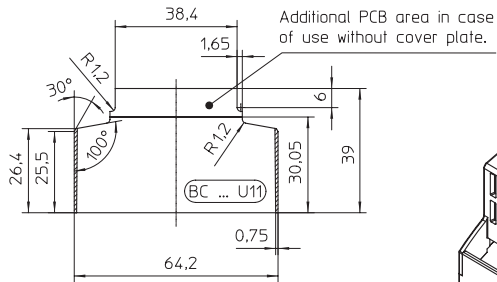
PCB dimensions for PCB 1 for electronic housing BC 107,6...



PCB dimensions for PCB 1 for electronic housing BC 161,6...

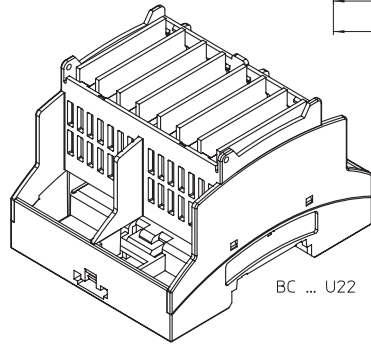
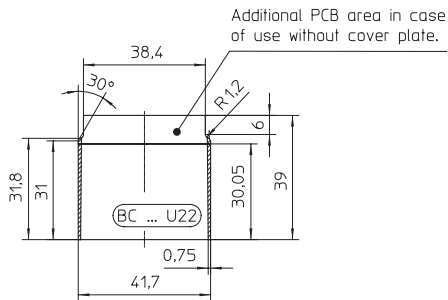
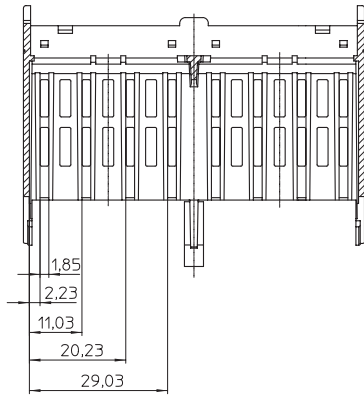
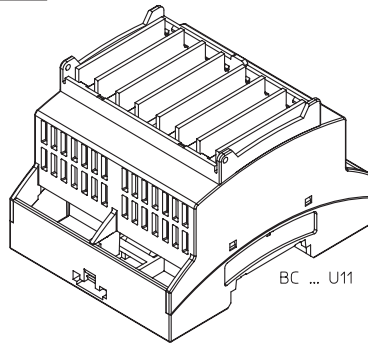


Overview of PCB plugging possibilities and PCB dimensions for vertical PCBs

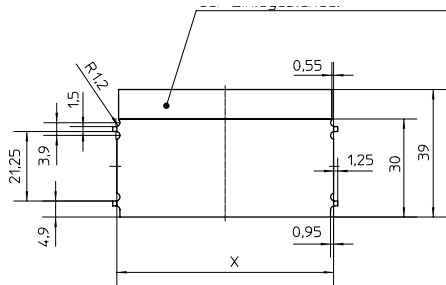


PCB thickness max. 1,8mm

Blocking area, no components must be placed at these positions.

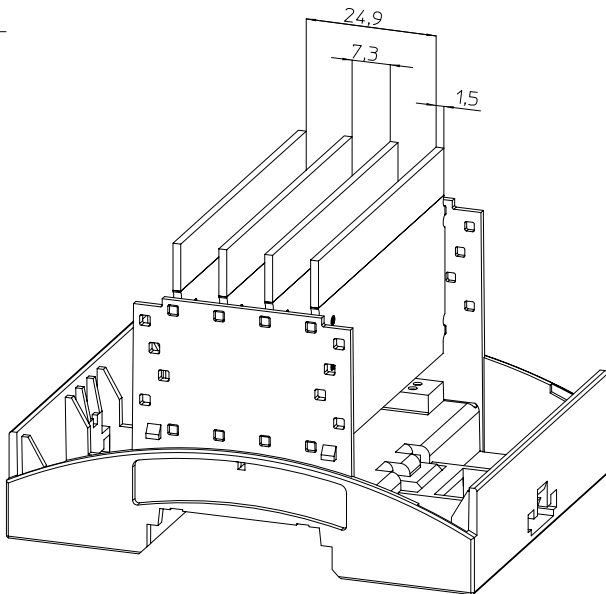


Additional PCB area in case of use without cover plate.



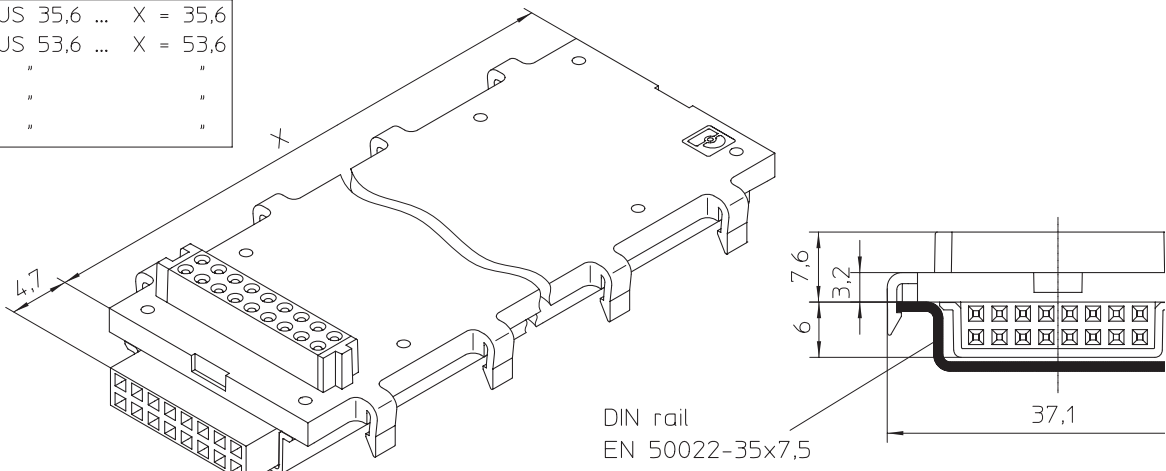
Benennung	Maß X
BC 35,6 UT	30,3
BC 53,6 UT	48,3
BC 71,6 UT	66,3
BC 107,6 UT	102,3
BC 161,6 UT	156,3

Leiterplattendicke max. 1,8mm



Dimensional diagram of DIN rail bus connectors HBUS

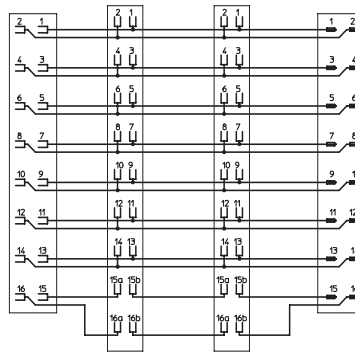
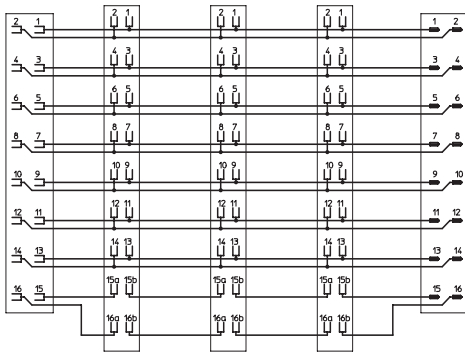
HBUS 35,6 ...	X = 35,6
HBUS 53,6 ...	X = 53,6
"	"
"	"
"	"



Circuit diagram of DIN rail bus connectors HBUS

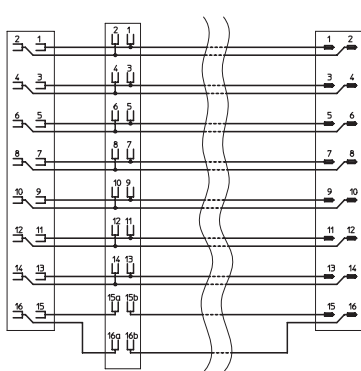
Article HBUS 53,6-16P-3S

Article HBUS 35,6-16P-2S



- Air- and creepage distances to the DIN rail min. 0,23mm
- Power line, air- and creepage distances between adjacent contacts min. 0,13mm
- Air- and creepage distances between power / signal line, min. 0,8mm
- Signale line, air- and creepage distances between adjacent contacts min. 0,13mm
- Air- and creepage distances to the DIN rail min. 0,23mm

Article: HBUS 35,6-16P-1S HBUS 53,6-16P-1S HBUS 71,6-16P-1S HBUS 107,6-16P-1S



- Air- and creepage distances to the DIN rail min. 0,23mm
- Power line, air- and creepage distances between adjacent contacts min. 0,13mm
- Air- and creepage distances between power / signal line, min. 0,8mm
- Signale line, air- and creepage distances between adjacent contacts min. 0,13mm
- Air- and creepage distances to the DIN rail min. 0,23mm

Current carrying capacity 3A per contact however total current max. 25A



Стандарт Электрон Связь

Мы молодая и активно развивающаяся компания в области поставок электронных компонентов. Мы поставляем электронные компоненты отечественного и импортного производства напрямую от производителей и с крупнейших складов мира.

Благодаря сотрудничеству с мировыми поставщиками мы осуществляем комплексные и плановые поставки широчайшего спектра электронных компонентов.

Собственная эффективная логистика и склад в обеспечивает надежную поставку продукции в точно указанные сроки по всей России.

Мы осуществляем техническую поддержку нашим клиентам и предпродажную проверку качества продукции. На все поставляемые продукты мы предоставляем гарантию .

Осуществляем поставки продукции под контролем ВП МО РФ на предприятия военно-промышленного комплекса России , а также работаем в рамках 275 ФЗ с открытием отдельных счетов в уполномоченном банке. Система менеджмента качества компании соответствует требованиям ГОСТ ISO 9001.

Минимальные сроки поставки, гибкие цены, неограниченный ассортимент и индивидуальный подход к клиентам являются основой для выстраивания долгосрочного и эффективного сотрудничества с предприятиями радиоэлектронной промышленности, предприятиями ВПК и научно-исследовательскими институтами России.

С нами вы становитесь еще успешнее!

Наши контакты:

Телефон: +7 812 627 14 35

Электронная почта: sales@st-electron.ru

Адрес: 198099, Санкт-Петербург,
Промышленная ул, дом № 19, литера Н,
помещение 100-Н Офис 331