

4N55*, 5962-87679, HCPL-553X, HCPL-653X, HCPL-257K, HCPL-655X, 5962-90854, HCPL-550X



Hermetically Sealed, Transistor Output Optocouplers
for Analog and Digital Applications

Data Sheet

*See matrix for available extensions.

Description

These units are single, dual and quad channel, hermetically sealed optocouplers. The products are capable of operation and storage over the full military temperature range and can be purchased as either standard product or with full MIL-PRF-38534 Class Level H or K testing or from the appropriate DLA Drawing. All devices are manufactured and tested on a MIL-PRF-38534 certified line and are included in the DLA Qualified Manufacturers List QML-38534 for Hybrid Microcircuits.

Applications

- Military and Space
- High Reliability Systems
- Vehicle Command, Control, Life Critical Systems
- Line Receivers
- Switching Power Supply
- Voltage Level Shifting
- Analog Signal Ground Isolation (see Figures 7, 8, and 13)
- Isolated Input Line Receiver
- Isolated Output Line Driver
- Logic Ground Isolation
- Harsh Industrial Environments
- Isolation for Test Equipment Systems

Features

- Dual Marked with Device Part Number and DLA Drawing Number
- Manufactured and Tested on a MIL-PRF-38534 Certified Line
- QML-38534, Class H and K
- Five Hermetically Sealed Package Configurations
- Performance Guaranteed over Full Military Temperature Range: -55°C to +125°C
- High Speed: Typically 400 kBit/s
- 9 MHz Bandwidth
- Open Collector Output
- 2-18 Volt V_{CC} Range
- 1500 Vdc Withstand Test Voltage
- High Radiation Immunity
- 6N135, 6N136, HCPL-2530/2531, Function Compatibility
- Reliability Data

The connection of a 0.1 μ F bypass capacitor between V_{CC} and GND is recommended.

CAUTION: It is advised that normal static precautions be taken in handling and assembly of this component to prevent damage and/or degradation which may be induced by ESD.

Each channel contains a GaAsP light emitting diode which is optically coupled to an integrated photon detector. Separate connections for the photodiodes and output transistor collectors improve the speed up to a hundred times that of a conventional phototransistor optocoupler by reducing the base-collector capacitance.

These devices are suitable for wide bandwidth analog applications, as well as for interfacing TTL to LSTTL or CMOS. Current Transfer Ratio (CTR) is 9% minimum at $I_F = 16 \text{ mA}$. The $18 \text{ V } V_{CC}$ capability will enable the designer to interface any TTL family to CMOS. The availability of the base lead allows optimized gain/ bandwidth adjustment in analog applications. The shallow depth of the IC photodiode provides better radiation immunity than conventional phototransistor couplers.

These products are also available with the transistor base node not connected to improve common mode noise immunity and ESD susceptibility. In addition, higher CTR minimums are available by special request.

Package styles for these parts are 8 and 16 pin DIP through hole (case outlines P and E respectively), 16 pin DIP flat pack (case outline F), and leadless ceramic chip carrier (case outline 2). Devices may be purchased with a variety of lead bend and plating options, see Selection Guide Table for details. Standard Microcircuit Drawing (SMD) parts are available for each package and lead style.

Because the same functional die (emitters and detectors) are used for each channel of each device listed in this data sheet, absolute maximum ratings, recommended operating conditions, electrical specifications, and performance characteristics shown in the figures are identical for all parts. Occasional exceptions exist due to package variations and limitations and are as noted. Additionally, the same package assembly processes and materials are used in all devices. These similarities give justification for the use of data obtained from one part to represent other part's performance for die related reliability and certain limited radiation test results.

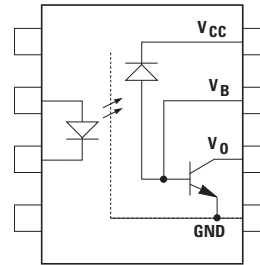
Truth Table

(Positive Logic)

Input	Output
On (H)	L
Off (L)	H

Functional Diagram

Multiple Channel Devices Available



Selection Guide—Package Styles and Lead Configuration Options

Package	16 Pin DIP	8 Pin DIP	8 Pin DIP	16 Pin Flat Pack	20 Pad LCCC
Lead Style	Through Hole	Through Hole	Through Hole	Unformed Leads	Surface Mount
Channels	2	1	2	4	2
Common Channel Wiring	None	None	V _{CC} GND	V _{CC} GND	None

Avago Part No. and Options

Commercial	4N55 ⁽¹⁾	HCPL-5500	HCPL-5530	HCPL-6550	HCPL-6530
MIL-PRF-38534 Class H	4N55/883B	HCPL-5501	HCPL-5531	HCPL-6551	HCPL-6531
MIL-PRF-38534 Class K	HCPL-257K	HCPL-550K	HCPL-553K	HCPL-655K	HCPL-653K
Standard Lead Finish	Gold Plate	Gold Plate	Gold Plate	Gold Plate	Solder Pads *
Solder Dipped *	Option 200	Option 200	Option 200		
Butt Joint/Gold Plate	Option 100	Option 100	Option 100		
Gull Wing/Soldered*	Option 300	Option 300	Option 300		

Class H SMD Part

<i>Prescript for all below</i>	5962-	5962-	5962-	5962-	5962-
Gold Plate	8767901EC	9085401HPC	8767902PC	8767904FC	
Solder Dipped*	8767901EA	9085401HPA	8767902PA		87679032A
Butt Joint/Gold Plate	8767901UC	9085401HYC	8767902YC		
Butt Joint/Soldered*	8767901UA	9085401HYA	8767902YA		
Gull Wing/Soldered*	8767901TA	9085401HXA	8767902XA		

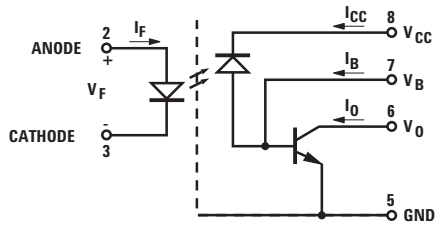
Class K SMD Part

<i>Prescript for all below</i>	5962-	5962-	5962-	5962-	5962-
Gold Plate	8767905KEC	9085401KPC	8767906KPC	8767908KFC	
Solder Dipped *	8767905KEA	9085401KPA	8767906KPA		8767907K2A
Butt Joint/Gold Plate	8767905KUC	9085401KYC	8767906KYC		
Butt Joint/Soldered*	8767905KUA	9085401KYA	8767906KYA		
Gull Wing/Soldered*	8767905KTA	9085401KXA	8767906KXA		

1. JEDEC registered part.

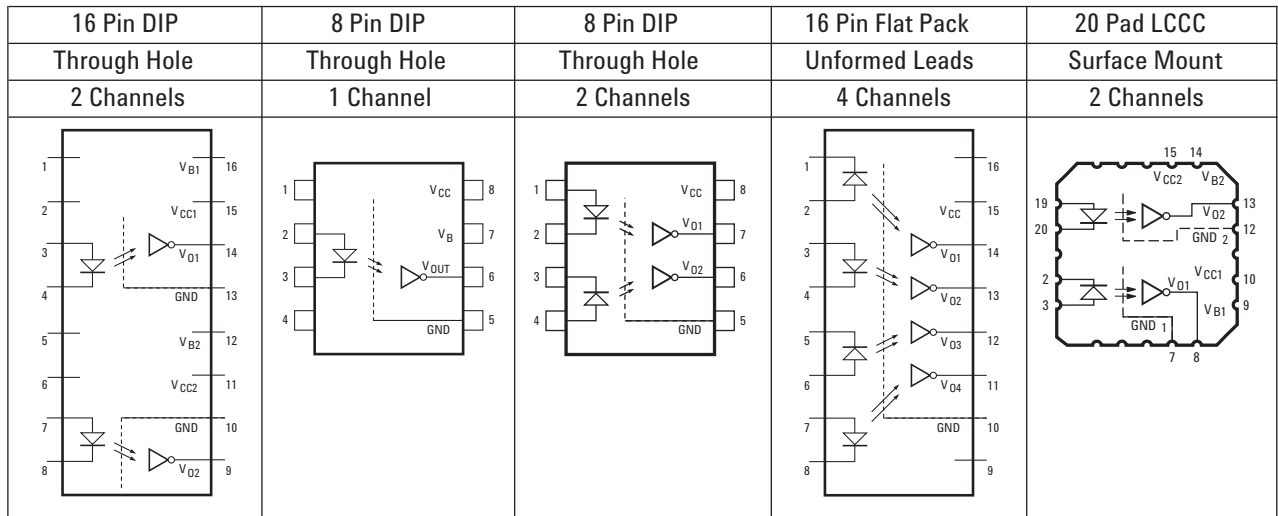
* Solder contains lead

8 Pin Ceramic DIP Single Channel Schematic



Note, base is pin 7.

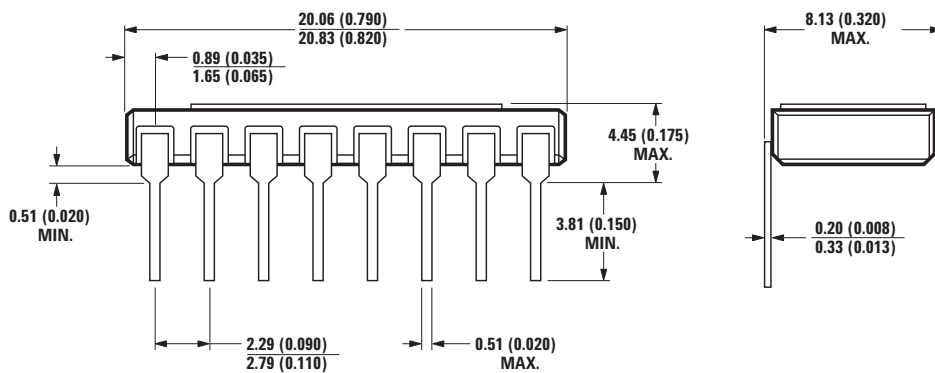
Functional Diagrams



Note: 8 pin DIP and flat pack devices have common V_{CC} and ground. 16 pin DIP and LCCC (leadless ceramic chip carrier) packages have isolated channels with separate V_{CC} and ground connections.

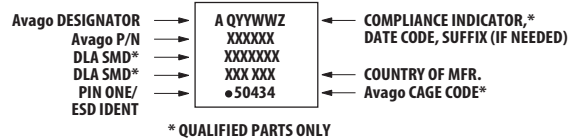
Outline Drawings

16 Pin DIP Through Hole, 2 Channels

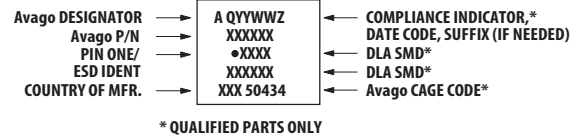


NOTE: DIMENSIONS IN MILLIMETERS (INCHES).

Leaded Device Marking

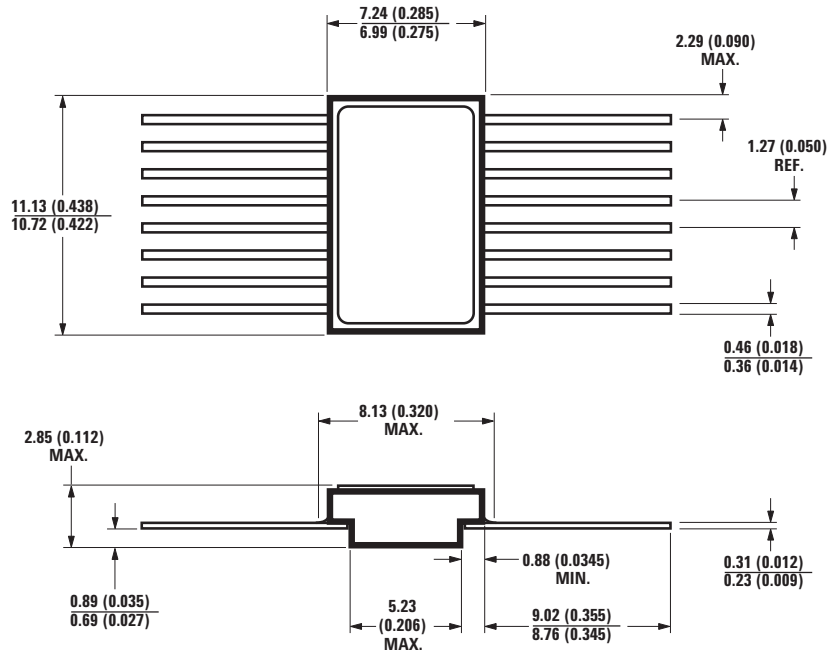


Leadless Device Marking



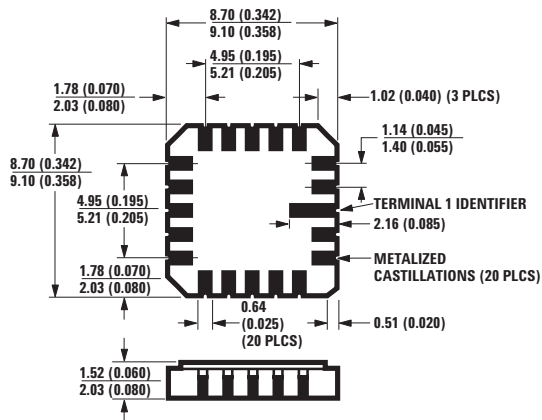
Outline Drawings

16 Pin Flat Pack, 4 Channels



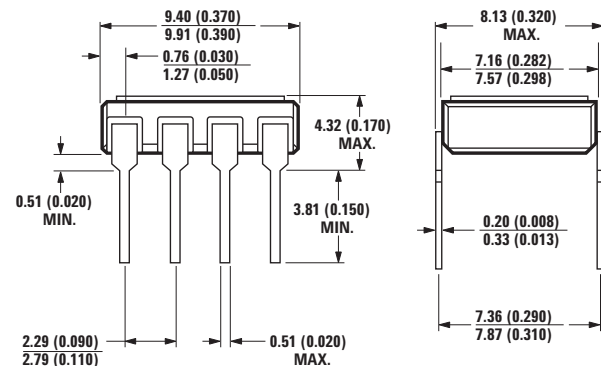
NOTE: DIMENSIONS IN MILLIMETERS (INCHES).

20 Terminal LCCC Surface Mount, 2 Channels



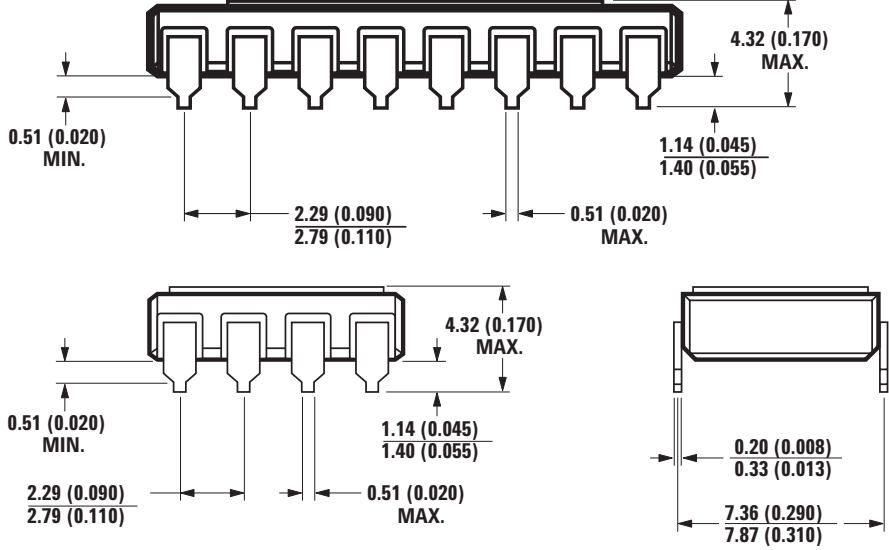
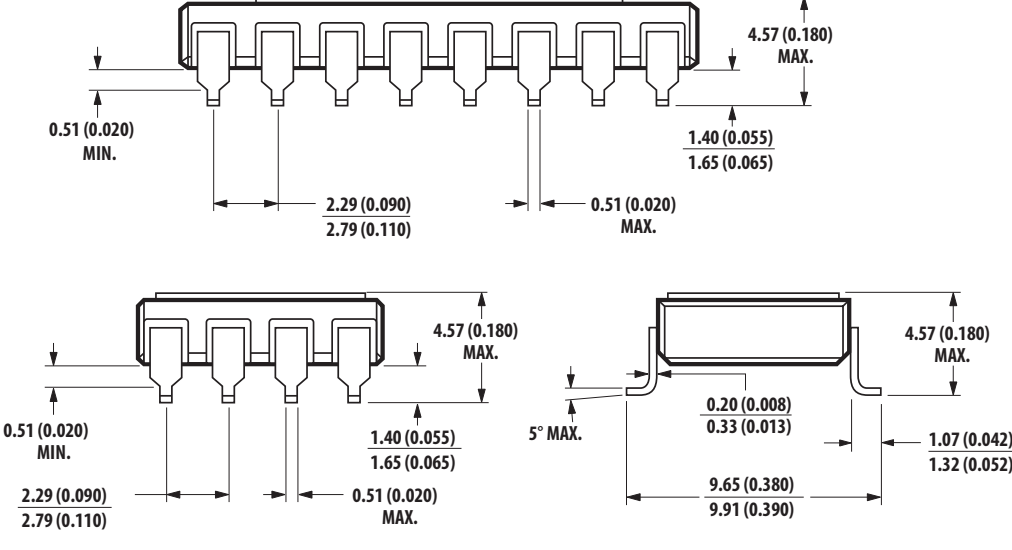
NOTE: DIMENSIONS IN MILLIMETERS (INCHES).
SOLDER THICKNESS 0.127 (0.005) MAX.

8 Pin DIP Through Hole, 1 and 2 Channel



NOTE: DIMENSIONS IN MILLIMETERS (INCHES).

Hermetic Optocoupler Options

Option	Description
100	<p>Surface mountable hermetic optocoupler with leads trimmed for butt joint assembly. This option is available on commercial and hi-rel product in 8 and 16 pin DIP (see drawings below for details).</p>  <p style="text-align: center;">NOTE: DIMENSIONS IN MILLIMETERS (INCHES).</p>
200	<p>Lead finish is solder dipped rather than gold plated. This option is available on commercial and hi-rel product in 8 and 16 pin DIP. DLA drawing part numbers contain provisions for lead finish. All leadless chip carrier devices are delivered with solder dipped terminals as a standard feature.</p>
300	<p>Surface mountable hermetic optocoupler with leads cut and bent for gull wing assembly. This option is available on commercial and hi-rel product in 8 and 16 pin DIP (see drawings below for details). This option has solder dipped leads.</p>  <p style="text-align: center;">NOTE: DIMENSIONS IN MILLIMETERS (INCHES).</p>

NOTE: Solder contains lead.

Absolute Maximum Ratings

No derating required up to +125° C.

Parameter	Symbol	Min.	Max.	Units
Storage Temperature Range	T _S	-65°	+150°	C
Operating Ambient Temperature	T _A	-55°	+125°	C
Junction Temperature	T _J		+175°	C
Case Temperature	T _C		+170°	C
Lead Solder Temperature (1.6 mm below seating plane)			260° for 10 s	C
Average Input Forward Current	I _{F AVG}		20	mA
Peak Forward Input Current (each channel, ≤ 1 ms duration)	I _{FPK}		40	mA
Reverse Input Voltage	BV _R	See Electrical Characteristics		
Average Output Current, each channel	I _O		8	mA
Peak Output Current, each channel	I _O		16	mA
Supply Voltage	V _{CC}	-0.5	20	V
Output Voltage	V _O	-0.5	20	V
Input Power Dissipation, each channel			36	mW
Output Power Dissipation, each channel			50	mW
Package Power Dissipation, each channel	P _D		200	mW

Single Channel 8 Pin, Dual Channel 16 Pin, and LCCC Only

Parameter	Symbol	Min.	Max.	Units
Emitter Base Reverse Voltage	V _{EBO}		3	V
Base Current, each channel	I _B		5	mA

ESD Classification

(MIL-STD-883, Method 3015)

4N55, 4N55/883B, HCPL-257K, HCPL-5500/01/0K, and HCPL-6530/31/3K	(▲), Class 1
HCPL-5530/31/3K, HCPL-6550/51/5K	(Dot), Class 3

Recommended Operating Conditions

Parameter	Symbol	Min.	Max.	Units
Input Current, Low Level	I _{FL}		250	μA
Input Current, High Level	I _{FH}	12	20	mA
Supply Voltage, Output	V _{CC}	2	18	V

Electrical Characteristics

$T_A = -55^\circ\text{C}$ to $+125^\circ\text{C}$, unless otherwise specified. See Note 12.

Parameter	Symbol	Group A, Sub-group	Test Conditions	Limits			Units	Fig.	Notes		
				Min.	Typ.*	Max.					
Current Transfer Ratio	CTR	1, 2, 3	$V_O = 0.4\text{V}$, $I_F = 16\text{ mA}$, $V_{CC} = 4.5\text{V}$	9	20		%	2, 3	1, 2, 10		
Logic High Output Current	I_{OH}	1, 2, 3	$I_F = 0$, I_F (other channels) = 20 mA $V_O = V_{CC} = 18\text{V}$		5	100	μA	4	1		
Output Leakage Current	I_{OLeak}	1, 2, 3	$I_F = 250\ \mu\text{A}$, I_F (other channels) = 20 mA, $V_O = V_{CC} = 18\text{V}$		30	250	μA	4	1		
Input-Output Insulation Leakage Current	I_{I-O}	1	$V_{I-O} = 1500\text{Vdc}$, $RH \leq 65\%$, $T_A = 25^\circ\text{C}$, $t = 5\text{ s}$			1.0	μA		3, 9		
Input Forward Voltage	V_F	1, 2, 3	$I_F = 20\text{ mA}$		1.55	1.8 1.9	V	1	1, 14 1, 13		
Reverse Breakdown Voltage	BV_R	1, 2, 3	$I_R = 10\ \mu\text{A}$	5 3			V		1, 14 1, 13		
Logic High Supply Current	Single Channel	I_{CCH}	1, 2, 3	$V_{CC} = 18\text{V}$, $I_F = 0\text{ mA}$		0.1	10	μA		1	
	Dual Channel					0.2	20			1,4	
	Quad Channel					0.4	40			1	
Logic Low Supply Current	Single Channel	I_{CCL}	1, 2, 3	$V_{CC} = 18\text{V}$, $I_F = 20\text{ mA}$		35	200	μA		1	
	Dual Channel					$V_{CC} = 18\text{V}$, $I_{F1} = I_{F2} = 20\text{ mA}$	70			400	1, 4
	Quad Channel					$V_{CC} = 18\text{V}$, $I_{F1} = I_{F2} = I_{F3} = I_{F4} = 20\text{ mA}$	140			800	1
Propagation Delay Time to Logic High at Output	t_{PLH}	9, 10, 11	$R_L = 8.2\text{ k}\Omega$, $C_L = 50\text{ pF}$, $I_F = 16\text{ mA}$, $V_{CC} = 5\text{V}$			1.0	6.0	μs	6, 9	1, 6	
Propagation Delay Time to Logic Low at Output	t_{PHL}					0.4	2.0				

*All typical values are at $V_{CC} = 5\text{V}$, $T_A = 25^\circ\text{C}$.

Typical Characteristics

All typical values are at $T_A = 25^\circ\text{C}$, $V_{CC} = 5\text{ V}$, unless otherwise specified.

Parameter	Symbol	Test Conditions	Typ.	Units	Fig.	Notes
Input Capacitance	C_{IN}	$V_F = 0\text{ V}$, $f = 1\text{ MHz}$	60	pF		1
Input Diode Temperature Coefficient	$\Delta V_F/\Delta T_A$	$I_F = 20\text{ mA}$	-1.5	mV/ $^\circ\text{C}$		1
Resistance (Input-Output)	R_{I-O}	$V_{I-O} = 500\text{ V}$	10^{12}	Ω		3
Capacitance (Input-Output)	C_{I-O}	$f = 1\text{ MHz}$	1.0	pF		1, 11
Transistor DC Current Gain	h_{FE}	$V_O = 5\text{ V}$, $I_O = 3\text{ mA}$	250	-		1
Small Signal Current Transfer Ratio	$\Delta I_O/\Delta I_F$	$V_{CC} = 5\text{ V}$, $V_O = 2\text{ V}$	21	%	7	1
Common Mode Transient Immunity at Logic High Level Output	$ CM_H $	$I_F = 0\text{ mA}$, $R_L = 8.2\text{ k}\Omega$, $V_O(\text{min}) = 2.0\text{ V}$, $V_{CM} = 10\text{ V}_{P-P}$	1000	V/ μs	10	1, 7
Common Mode Transient Immunity at Logic Low Level Output	$ CM_L $	$I_F = 16\text{ mA}$, $R_L = 8.2\text{ k}\Omega$, $V_O(\text{max}) = 0.8\text{ V}$, $V_{CM} = 10\text{ V}_{P-P}$	-1000	V/ μs	10	1, 7
Bandwidth	BW		9	MHz	8	8

Multi-Channel Product Only

Parameter	Symbol	Test Conditions	Typ.	Units	Notes
Input-Input Insulation Leakage Current	I_{I-I}	$RH \leq 65\%$, $V_{I-I} = 500\text{ V}$, $t = 5\text{ s}$	1	pA	5, 9
Resistance (Input-Input)	R_{I-I}	$V_{I-I} = 500\text{ V}$	10^{12}	Ω	5
Capacitance (Input-Input)	C_{I-I}	$f = 1\text{ MHz}$	0.8	pF	5

Notes:

- Each channel of a multi-channel device.
- Current Transfer Ratio is defined as the ratio of output collector current, I_O , to the forward LED input current, I_F , times 100%. CTR is known to degrade slightly over the unit's lifetime as a function of input current, temperature, signal duty cycle, and system on time. Refer to Application Note 1002 for more detail. In short, it is recommended that designers allow at least 20-25% guardband for CTR degradation.
- All devices are considered two-terminal devices; measured between all input leads or terminals shorted together and all output leads or terminals shorted together.
- The 4N55, 4N55/883B, HCPL-257K, HCPL-6530, HCPL-6531, and HCPL-653K dual channel parts function as two independent single channel units. Use the single channel parameter limits. $I_F = 0\text{ mA}$ for channel under test and $I_F = 20\text{ mA}$ for other channels.
- Measured between adjacent input pairs shorted together for each multichannel device.
- t_{PHL} propagation delay is measured from the 50% point on the leading edge of the input pulse to the 1.5 V point on the leading edge of the output pulse. The t_{PLH} propagation delay is measured from the 50% point on the trailing edge of the input pulse to the 1.5 V point on the trailing edge of the output pulse.
- CM_L is the maximum rate of rise of the common mode voltage that can be sustained with the output voltage in the logic low state ($V_O < 0.8\text{ V}$). CM_H is the maximum rate of fall of the common mode voltage that can be sustained with the output voltage in the logic high state ($V_O > 2.0\text{ V}$).
- Bandwidth is the frequency at which the ac output voltage is 3 dB below the low frequency asymptote. For the HCPL-5530 the typical bandwidth is 2 MHz.
- This is a momentary withstand test, not an operating condition.
- Higher CTR minimums are available to support special applications.
- Measured between each input pair shorted together and all output connections for that channel shorted together.
- Standard parts receive 100% testing at 25°C (Subgroups 1 and 9). SMD and 883B parts receive 100% testing at 25, 125, and -55°C (Subgroups 1 and 9, 2 and 10, 3 and 11, respectively).
- Not required for 4N55, 4N55/883B, HCPL-257K, 5962-8767901, and 5962-8767905 types.
- Required for 4N55, 4N55/883B, HCPL-257K, 5962-8767901, and 5962-8767905 types only.

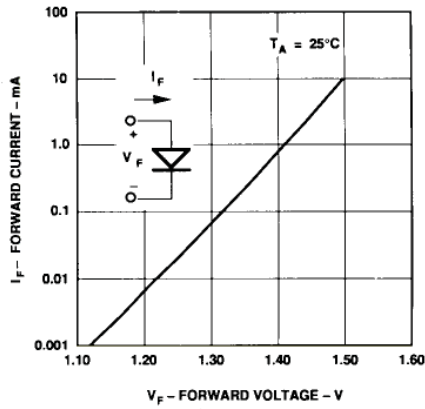


Figure 1. Input Diode Forward Current vs. Forward Voltage.

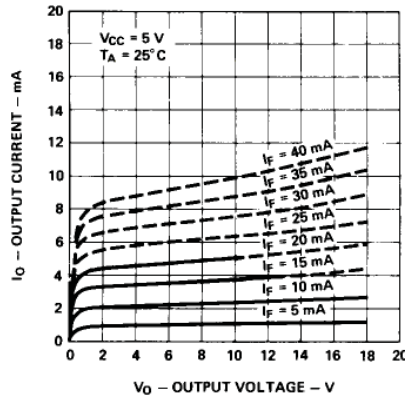


Figure 2. DC and Pulsed Transfer Characteristic.

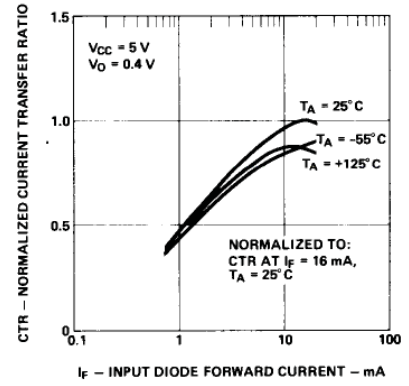


Figure 3. Normalized Current Transfer Ratio vs. Input Diode Forward Current.

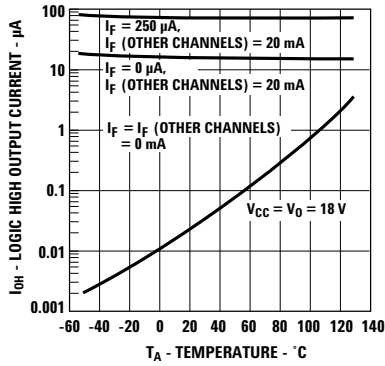


Figure 4. Logic High Output Current vs. Temperature.

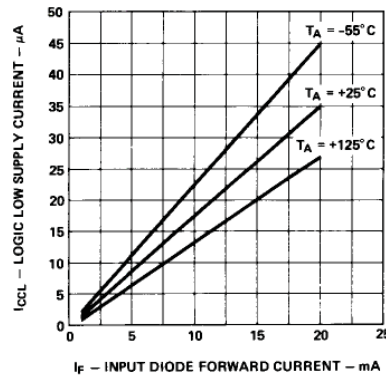


Figure 5. Logic Low Supply Current vs. Input Diode Forward Current.

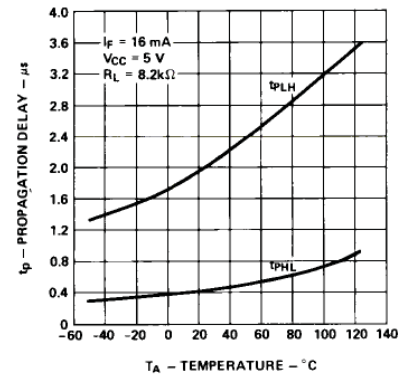


Figure 6. Propagation Delay vs. Temperature.

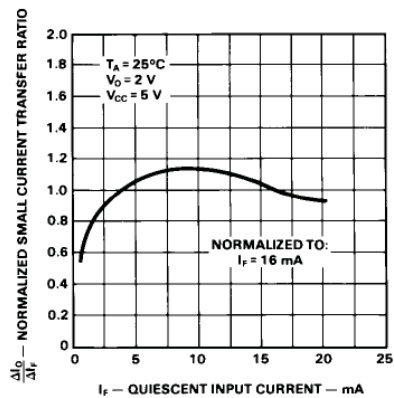


Figure 7. Normalized Small Signal Current Transfer Ratio vs. Quiescent Input Current.

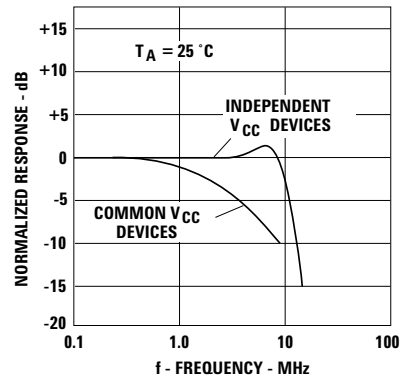
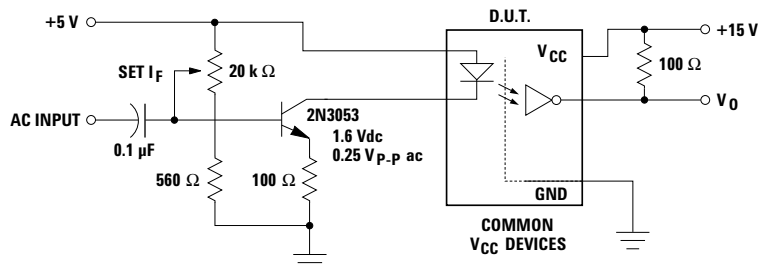
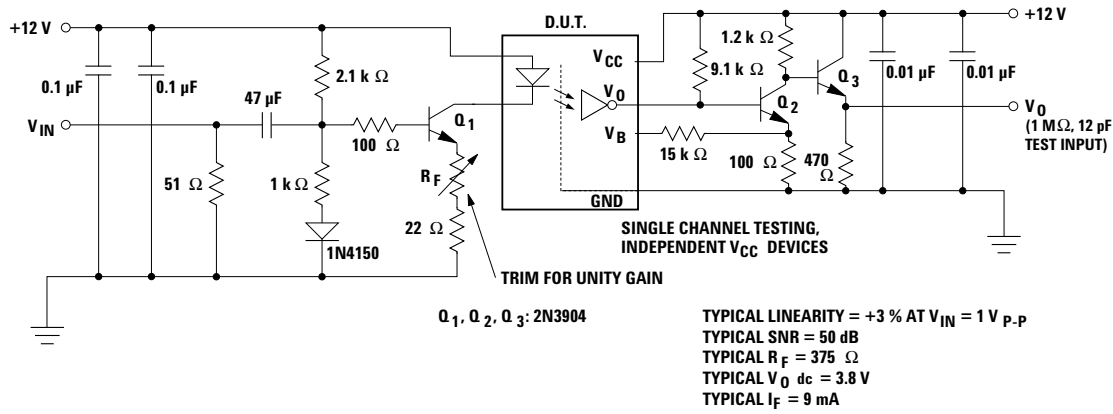
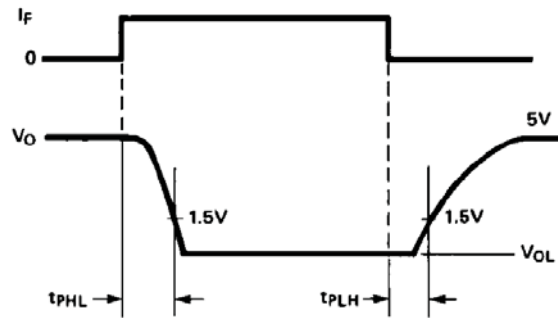
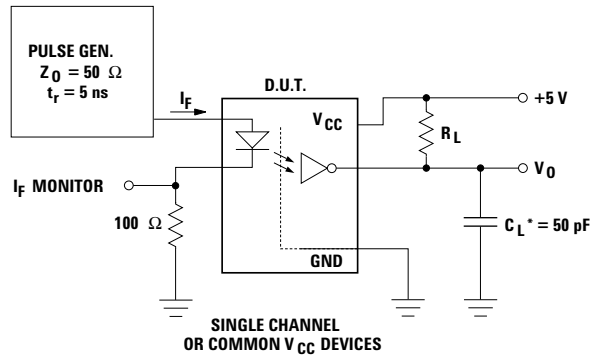


Figure 8. Frequency Response.



10% DUTY CYCLE
 $1/f < 100\ \mu s$

NOTES:
 * C_L^* INCLUDES PROBE AND STRAY WIRING CAPACITANCE.
 BASE LEAD NOT CONNECTED.

Figure 9. Switching Test Circuit.*

*JEDEC Registered Data.

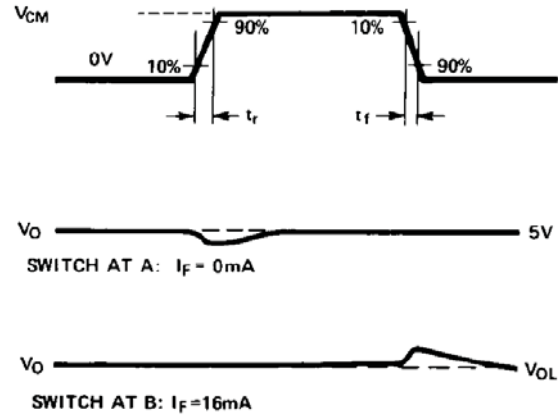
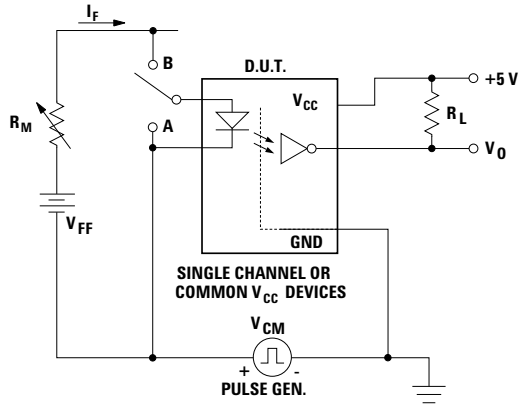


Figure 10. Test Circuit for Transient Immunity and Typical Waveforms.

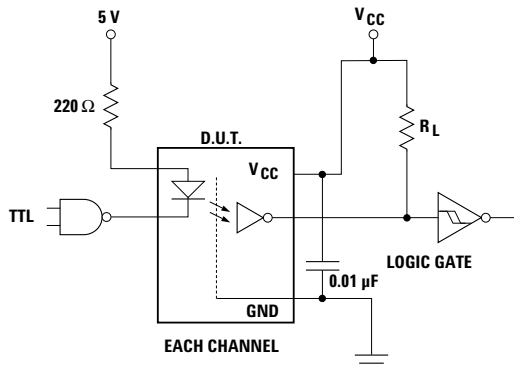


Figure 11. Recommended Logic Interface.

Logic Family	LSTTL	CMOS	
Device No.	54LS14	CD40106BM	
V _{CC}	5 V	5 V	15 V
R _L 5% Tolerance	18 kΩ *	8.2 kΩ	22 kΩ

*The equivalent output load resistance is affected by the LSTTL input current and is approximately 8.2 kΩ. This is a worst case design which takes into account 25% degradation of CTR. See App. Note 1002 to assess actual degradation and lifetime.

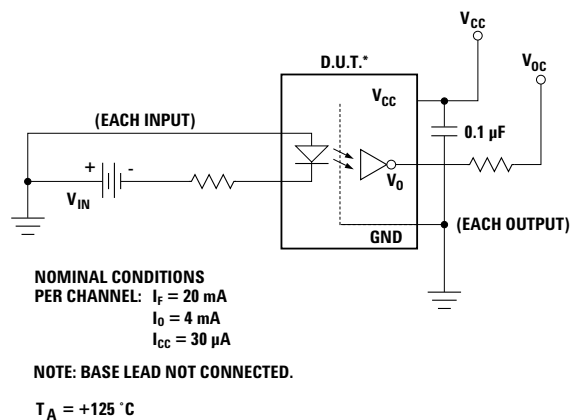


Figure 12. Operating Circuit for Burn-In and Steady State Life Tests. All Channels Tested Simultaneously.

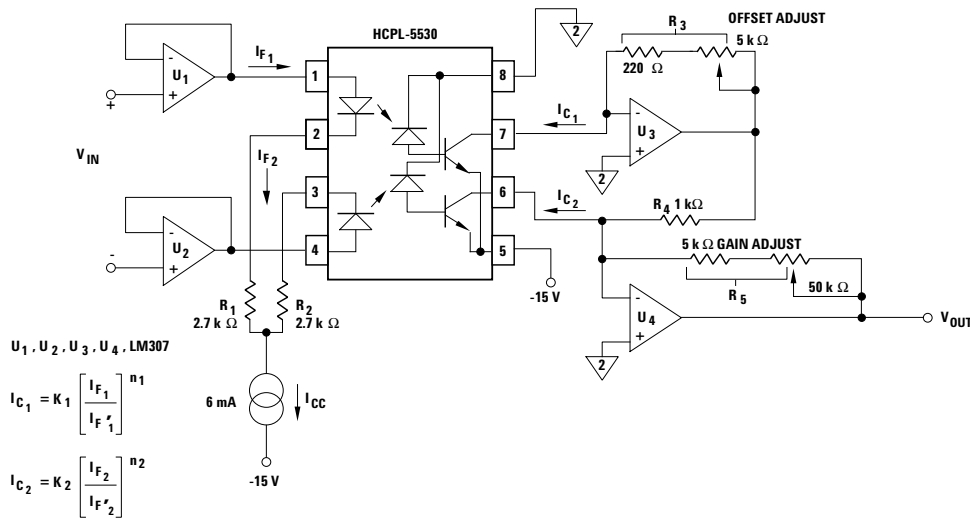


Figure 13. Isolation Amplifier Application Circuit.

Description

The schematic uses a dualchannel, high-speed optocoupler (HCPL-5530) to function as a servo type dc isolation amplifier. This circuit operates on the principle that two optocouplers will track each other if their gain changes by the same amount over a specific operating region.

MIL-PRF-38534 Class H, Class K, and DLA SMD Test Program

Avago Technologies's Hi-Rel Optocouplers are in compliance with MIL-PRF-38534 Classes H and K. Class H and Class K devices are also in compliance with DLA drawings 5962-87679, and 5962-90854. Testing consists of 100% screening and quality conformance inspection to MIL-PRF-38534.

Performance of Circuit

- 1% linearity for 10 V peak-to-peak dynamic range
- Gain drift: -0.03%/°C
- Offset Drift: ± 1 mV/°C
- 25 kHz bandwidth (limited by Op-Amps U1, U2)

For product information and a complete list of distributors, please go to our web site: www.avagotech.com

Avago, Avago Technologies, and the A logo are trademarks of Avago Technologies, Limited in the United States and other countries. Data subject to change. Copyright © 2005-2012 Avago Technologies Limited. All rights reserved. Obsoletes 5989-1659EN AV02-3846EN - October 2, 2012

AVAGO
TECHNOLOGIES



Стандарт Электрон Связь

Мы молодая и активно развивающаяся компания в области поставок электронных компонентов. Мы поставляем электронные компоненты отечественного и импортного производства напрямую от производителей и с крупнейших складов мира.

Благодаря сотрудничеству с мировыми поставщиками мы осуществляем комплексные и плановые поставки широчайшего спектра электронных компонентов.

Собственная эффективная логистика и склад в обеспечивает надежную поставку продукции в точно указанные сроки по всей России.

Мы осуществляем техническую поддержку нашим клиентам и предпродажную проверку качества продукции. На все поставляемые продукты мы предоставляем гарантию .

Осуществляем поставки продукции под контролем ВП МО РФ на предприятия военно-промышленного комплекса России , а также работаем в рамках 275 ФЗ с открытием отдельных счетов в уполномоченном банке. Система менеджмента качества компании соответствует требованиям ГОСТ ISO 9001.

Минимальные сроки поставки, гибкие цены, неограниченный ассортимент и индивидуальный подход к клиентам являются основой для выстраивания долгосрочного и эффективного сотрудничества с предприятиями радиоэлектронной промышленности, предприятиями ВПК и научно-исследовательскими институтами России.

С нами вы становитесь еще успешнее!

Наши контакты:

Телефон: +7 812 627 14 35

Электронная почта: sales@st-electron.ru

Адрес: 198099, Санкт-Петербург,
Промышленная ул, дом № 19, литера Н,
помещение 100-Н Офис 331