

**PLEASE CHECK WWW.MOLEX.COM FOR LATEST PART INFORMATION**

**Part Number:** **0780350001**  
**Status:** **Active**  
**Description:** 0.60mm (.024") Pitch miniDIMM DDR2 Socket, Surface Mount, 22.5° Reverse Angle, 0.76µm (30µ") Gold (Au) Plating, Off-White Latches, with Pick-and-Place Cap, 244 Circuits, 1.8V Voltage Key, Lead-free

**Documents:**

[3D Model](#) [Product Specification PS-78035-001 \(PDF\)](#)  
[Drawing \(PDF\)](#) [RoHS Certificate of Compliance \(PDF\)](#)

**Agency Certification**

CSA LR 19980  
 UL E29179

**General**

Product Family Memory Module Sockets  
 Series [78035](#)  
 Comments <LI>Latches in Off-White Color  
 Component Type Socket  
 JEDEC Outline MO-244  
 Product Name MiniDIMM

**Physical**

Circuits (Loaded) 244  
 Color - Resin Black, Natural (White)  
 Durability (mating cycles max) 25  
 Entry Angle 22.5° Angle  
 Flammability 94V-0  
 Keying to Mating Part Yes  
 Material - Metal Copper Alloy  
 Material - Plating Mating Gold  
 Material - Plating Termination Tin  
 Material - Resin High Temperature Thermoplastic  
 PCB Locator Yes  
 PCB Retention Yes  
 Packaging Type Tray  
 Pitch - Mating Interface (in) 0.024 In  
 Pitch - Mating Interface (mm) 0.60 mm  
 Plating min: Mating (µin) 30  
 Plating min: Mating (µm) 0.76  
 Plating min: Termination (µin) 100  
 Plating min: Termination (µm) 2.54  
 Temperature Range - Operating -10°C to +85°C  
 Termination Interface: Style Surface Mount

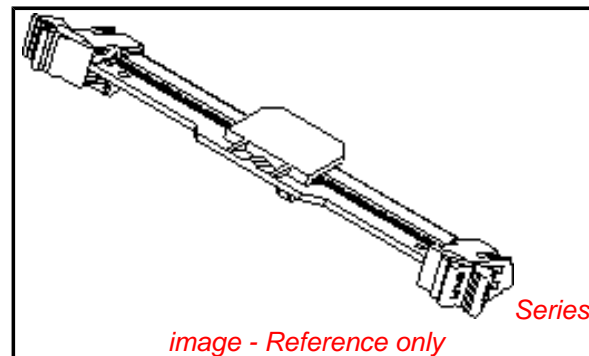
**Electrical**

Current - Maximum per Contact 1A  
 Voltage - Maximum 30V  
 Voltage Key 1.8V

**Solder Process Data**

Duration at Max. Process Temperature (seconds) 5  
 Lead-free Process Capability Reflow Capable (SMT only)  
 Max. Cycles at Max. Process Temperature 1  
 Process Temperature max. C 260

**Material Info**



**EU RoHS**

**ELV and RoHS Compliant**  
**REACH SVHC**  
 Not Reviewed  
**Halogen-Free Status**  
 Not Reviewed

**China RoHS**



**Need more information on product environmental compliance?**

Email [productcompliance@molex.com](mailto:productcompliance@molex.com)  
 For a multiple part number RoHS Certificate of Compliance, [click here](#)

Please visit the [Contact Us](#) section for any non-product compliance questions.

**Search Parts in this Series**

[78035Series](#)

**Mates With**

JEDEC MO-244 Modules

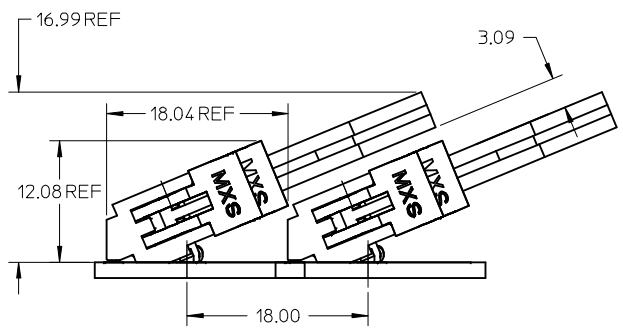
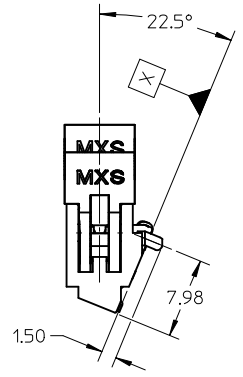
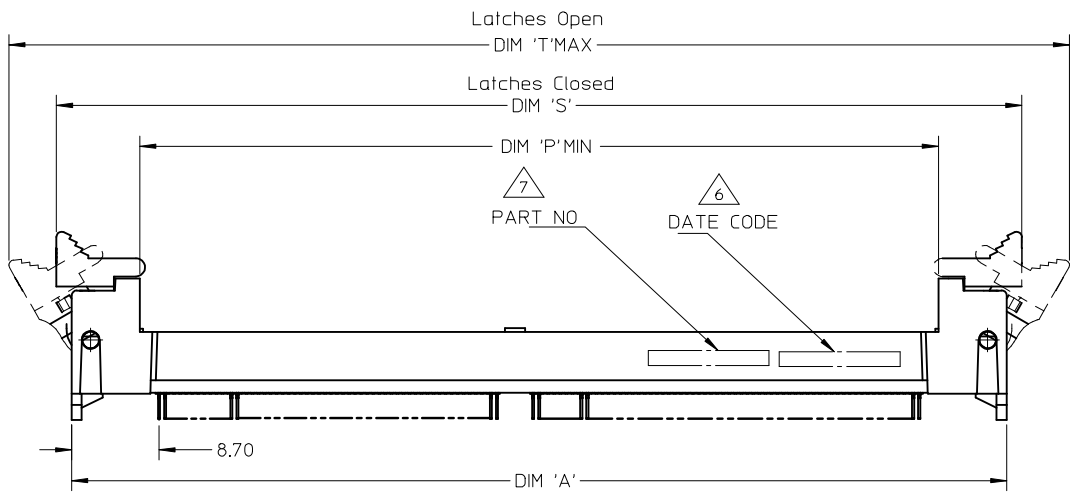
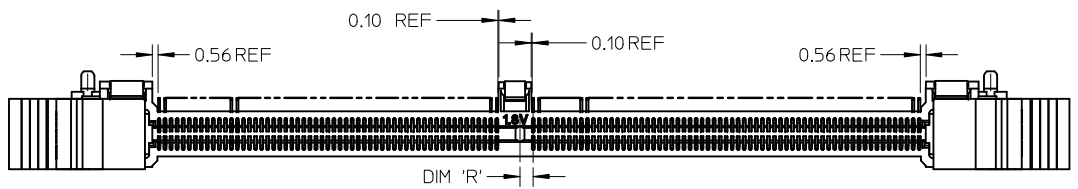
**Reference - Drawing Numbers**

Product Specification  
Sales Drawing

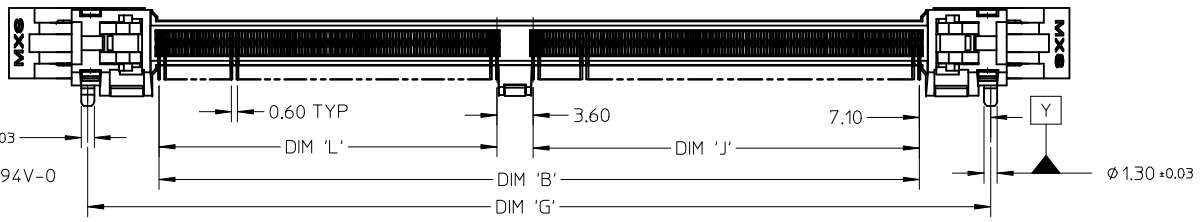
PS-78035-001  
SD-78035-001

This document was generated on 04/07/2010

**PLEASE CHECK [WWW.MOLEX.COM](http://WWW.MOLEX.COM) FOR LATEST PART INFORMATION**



MINIMUM HEIGHT OF SOCKET WITH  
MODULE CARD HEIGHT OF 30.00MM  
AND THICKNESS OF 4MM.

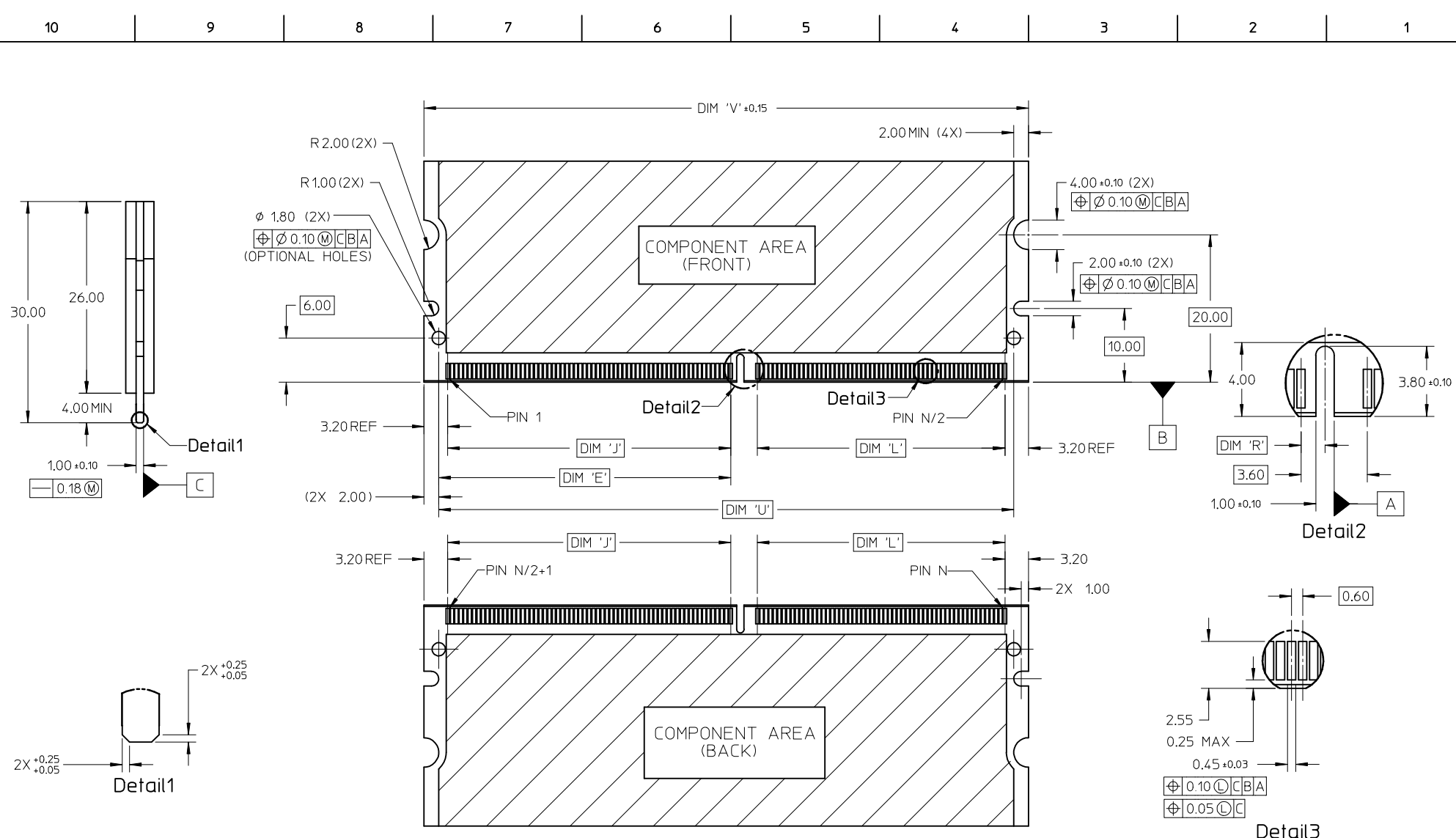


- NOTES :
- MATERIAL :  
HOUSING : HIGH TEMPERATURE LIQUID CRYSTAL POLYMER, UL94V-0  
COLOUR : BLACK  
CONTACTS : COPPER ALLOY  
LATCHES : HIGH TEMPERATURE NYLON, UL94V-0  
COLOUR : NATURAL (OFF-WHITE)  
COVER : HIGH TEMPERATURE NYLON, UL 94V-0  
COLOUR : BLACK

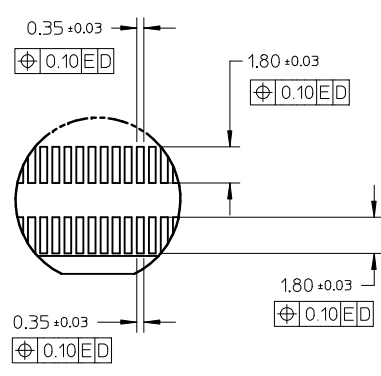
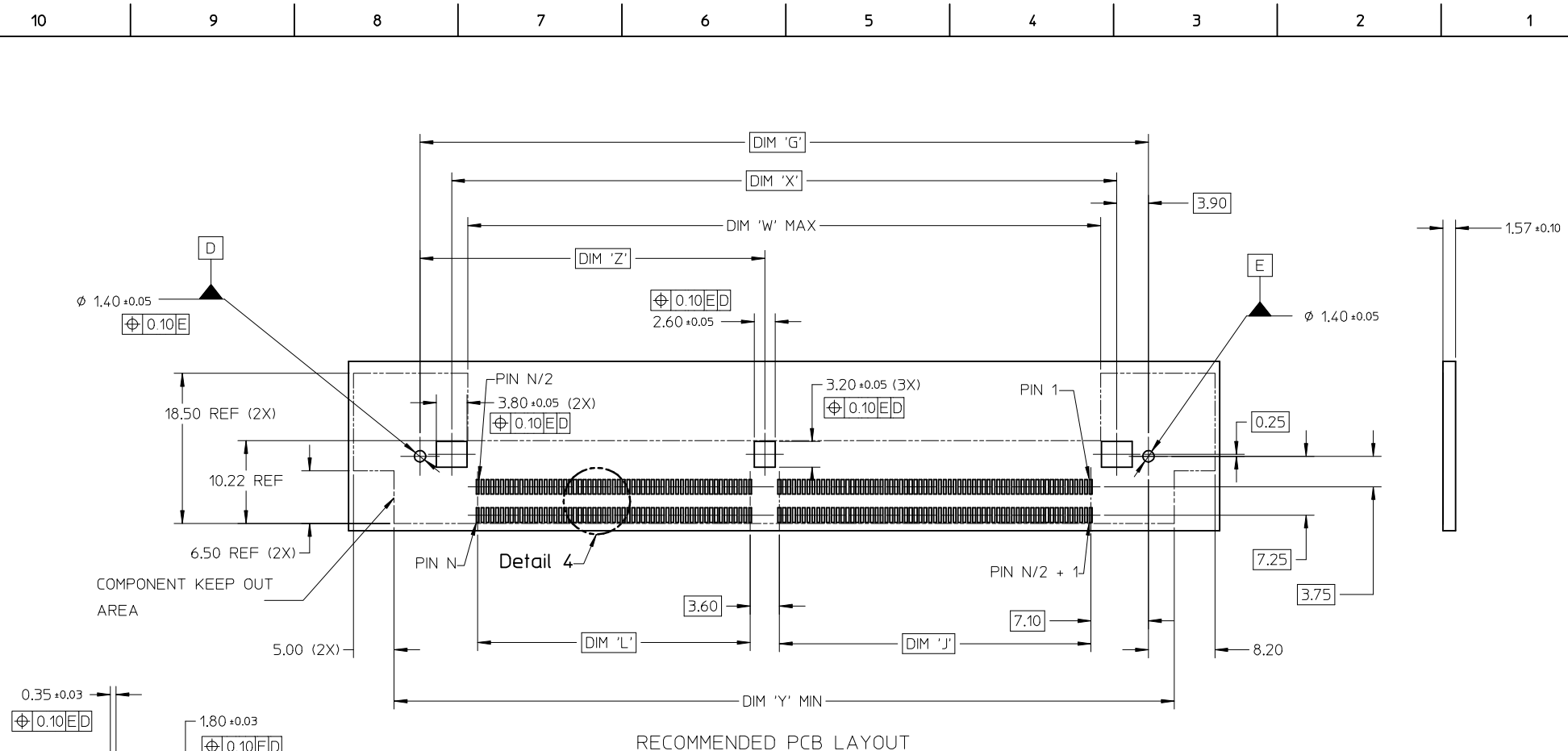
- FINISH  
CONTACTS : 0.76 MICROMETER (30 MICROINCH) MIN GOLD OVER  
1.25 MICROMETER (50 MICROINCH) MIN NICKEL  
SMT TAIL : 2.54 MICROMETER (100 MICROINCH) MIN TIN OVER  
1.25 MICROMETER (50 MICROINCH) MIN NICKEL
- ACCEPTS 1.0mm THICK MEMORY MODULE PER JEDEC MO-244 FOR 244 CKTS AND MO-258 FOR 200 CKTS.
- PRODUCT SPECIFICATION : PS-78035-001.
- PRODUCT SHALL BE PACKED IN TRAY

- △ DATE CODE SHALL BE MARKED LEGIBLY AS SHOWN : YY DDD.
- △ PART NUMBER SHALL BE MARKED LEGIBLY AS SHOWN : 78035-XXXX (REFER TO TABLE).

NEW COVER EC NO: S2010-0004 DRWN: TARUNGHAM 2009/08/12 CHKD: GGTAN 2009/08/12 APPR: SHLENI 2009/08/17	DESCRIPTION REV	QUALITY SYMBOLS	GENERAL TOLERANCES (UNLESS SPECIFIED)	DIMENSION STYLE	SCALE	DESIGN UNITS	THIRD ANGLE PROJECTION
		▼=0 ▽=0	mm    INCH 4 PLACES ± --- ± --- 3 PLACES ± --- ± --- 2 PLACES ± 0.13 ± --- 1 PLACE ± 0.25 ± --- ANGULAR ± 1 °	MM ONLY	NTS	METRIC	
			DRAWN BY: YTYANG01    DATE: 2005/08/12	TITLE: MINI DIMM, 0.60MM PITCH 200/244 CKTS, REV. ANGLE 22.5 DEG, SMT			
			CHECKED BY: SHLENI    DATE: 2005/08/25	MOLEX INCORPORATED			
			APPROVED BY: GGLEE    DATE: 2005/08/25	DOCUMENT NO. SD-78035-001			SHEET NO. 1 OF 5
			MATERIAL NO. SEE TABLE	THIS DRAWING CONTAINS INFORMATION THAT IS PROPRIETARY TO MOLEX INCORPORATED AND SHOULD NOT BE USED WITHOUT WRITTEN PERMISSION			

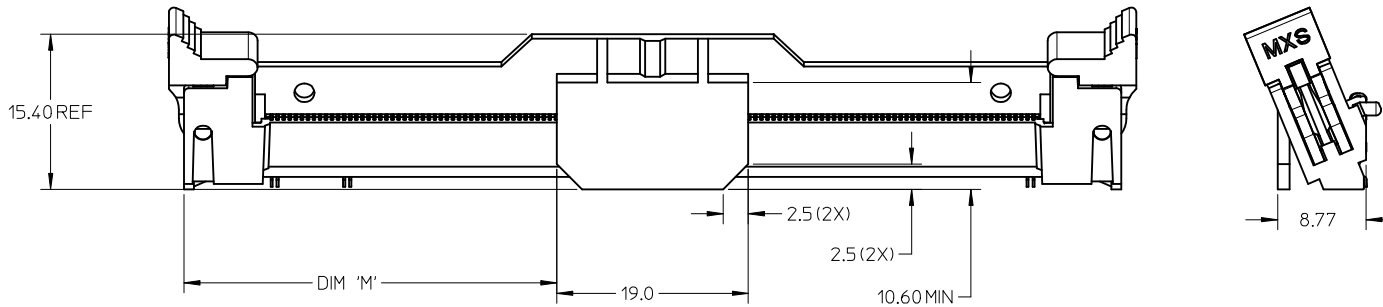


<b>NEW COVER</b> EC NO: S2010-0004 DRWN: TARUNGHAM 2009/08/12 CHKD: GGTAN 2009/08/12 APPR: SHLENI 2009/08/17	<b>QUALITY SYMBOLS</b> ▽=0 ▽=0	<b>GENERAL TOLERANCES (UNLESS SPECIFIED)</b>	<b>DIMENSION STYLE</b> MM ONLY	<b>SCALE</b> NTS	<b>DESIGN UNITS</b> METRIC	THIRD ANGLE PROJECTION																																									
		<table border="1"> <thead> <tr> <th></th> <th>mm</th> <th>INCH</th> </tr> </thead> <tbody> <tr> <td>4 PLACES</td> <td>± ---</td> <td>± ---</td> </tr> <tr> <td>3 PLACES</td> <td>± ---</td> <td>± ---</td> </tr> <tr> <td>2 PLACES</td> <td>± 0.13</td> <td>± ---</td> </tr> <tr> <td>1 PLACE</td> <td>± 0.25</td> <td>± ---</td> </tr> <tr> <td colspan="3">ANGULAR ± 1 °</td> </tr> </tbody> </table>		mm	INCH	4 PLACES	± ---	± ---	3 PLACES	± ---	± ---	2 PLACES	± 0.13	± ---	1 PLACE	± 0.25	± ---	ANGULAR ± 1 °			<table border="1"> <thead> <tr> <th>DRAWN BY</th> <th>DATE</th> <th>TITLE</th> </tr> </thead> <tbody> <tr> <td>YTYANG01</td> <td>2005/08/12</td> <td rowspan="4"> <b>MINI DIMM, 0.60MM PITCH</b>  <b>200/244 CKTS, REV. ANGLE</b>  <b>22.5 DEG, SMT</b> </td> </tr> <tr> <td>CHECKED BY</td> <td>DATE</td> </tr> <tr> <td>SHLENI</td> <td>2005/08/25</td> </tr> <tr> <td>APPROVED BY</td> <td>DATE</td> </tr> <tr> <td>GGLEE</td> <td>2005/08/25</td> <td> <b>MOLEX INCORPORATED</b> </td> </tr> <tr> <td>MATERIAL NO.</td> <td>DOCUMENT NO.</td> <td> <b>SD-78035-001</b> </td> </tr> <tr> <td colspan="2">         DRAFT WHERE APPLICABLE MUST REMAIN WITHIN DIMENSIONS       </td> <td>         SEE TABLE       </td> <td>         SHEET NO.          2 OF 5       </td> </tr> <tr> <td colspan="2"></td> <td>         THIS DRAWING CONTAINS INFORMATION THAT IS PROPRIETARY TO MOLEX INCORPORATED AND SHOULD NOT BE USED WITHOUT WRITTEN PERMISSION       </td> <td></td> </tr> </tbody></table>	DRAWN BY	DATE	TITLE	YTYANG01	2005/08/12	<b>MINI DIMM, 0.60MM PITCH</b> <b>200/244 CKTS, REV. ANGLE</b> <b>22.5 DEG, SMT</b>	CHECKED BY	DATE	SHLENI	2005/08/25	APPROVED BY	DATE	GGLEE	2005/08/25	<b>MOLEX INCORPORATED</b>	MATERIAL NO.	DOCUMENT NO.	<b>SD-78035-001</b>	DRAFT WHERE APPLICABLE MUST REMAIN WITHIN DIMENSIONS		SEE TABLE	SHEET NO. 2 OF 5			THIS DRAWING CONTAINS INFORMATION THAT IS PROPRIETARY TO MOLEX INCORPORATED AND SHOULD NOT BE USED WITHOUT WRITTEN PERMISSION	
		mm	INCH																																												
	4 PLACES	± ---	± ---																																												
3 PLACES	± ---	± ---																																													
2 PLACES	± 0.13	± ---																																													
1 PLACE	± 0.25	± ---																																													
ANGULAR ± 1 °																																															
DRAWN BY	DATE	TITLE																																													
YTYANG01	2005/08/12	<b>MINI DIMM, 0.60MM PITCH</b> <b>200/244 CKTS, REV. ANGLE</b> <b>22.5 DEG, SMT</b>																																													
CHECKED BY	DATE																																														
SHLENI	2005/08/25																																														
APPROVED BY	DATE																																														
GGLEE	2005/08/25	<b>MOLEX INCORPORATED</b>																																													
MATERIAL NO.	DOCUMENT NO.	<b>SD-78035-001</b>																																													
DRAFT WHERE APPLICABLE MUST REMAIN WITHIN DIMENSIONS		SEE TABLE	SHEET NO. 2 OF 5																																												
		THIS DRAWING CONTAINS INFORMATION THAT IS PROPRIETARY TO MOLEX INCORPORATED AND SHOULD NOT BE USED WITHOUT WRITTEN PERMISSION																																													



Detail 4

<b>NEW COVER</b> EC NO: S2010-0004 DRWN: TARUMUGHAM 2009/08/12 CHKD: CGTAN 2009/08/12 APPR: SHLENI 2009/08/17	QUALITY SYMBOLS ▽=0 ◻=0	GENERAL TOLERANCES (UNLESS SPECIFIED) <table border="1"> <thead> <tr> <th></th> <th>mm</th> <th>INCH</th> </tr> </thead> <tbody> <tr> <td>4 PLACES</td> <td>± ---</td> <td>± ---</td> </tr> <tr> <td>3 PLACES</td> <td>± ---</td> <td>± ---</td> </tr> <tr> <td>2 PLACES</td> <td>± 0.13</td> <td>± ---</td> </tr> <tr> <td>1 PLACE</td> <td>± 0.25</td> <td>± ---</td> </tr> </tbody> </table>		mm	INCH	4 PLACES	± ---	± ---	3 PLACES	± ---	± ---	2 PLACES	± 0.13	± ---	1 PLACE	± 0.25	± ---	DIMENSION STYLE <b>MM ONLY</b>	SCALE <b>NTS</b>	DESIGN UNITS <b>METRIC</b>	THIRD ANGLE PROJECTION
		mm	INCH																		
	4 PLACES	± ---	± ---																		
	3 PLACES	± ---	± ---																		
2 PLACES	± 0.13	± ---																			
1 PLACE	± 0.25	± ---																			
DESCRIPTION <b>D</b>	DRAFT WHERE APPLICABLE MUST REMAIN WITHIN DIMENSIONS	DRAWN BY YTYANG01	DATE 2005/08/12	TITLE <b>MINI DIMM, 0.60MM PITCH          200/244 CKTS, REV. ANGLE          22.5 DEG, SMT</b>																	
		CHECKED BY SHLENI	DATE 2005/08/25	<b>MOLEX INCORPORATED</b>																	
		APPROVED BY GGLEE	DATE 2005/08/25	MATERIAL NO. <b>SEE TABLE</b>	DOCUMENT NO. <b>SD-78035-001</b>	SHEET NO. <b>3 OF 5</b>															

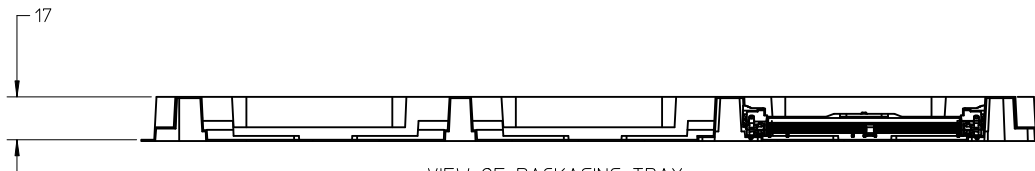
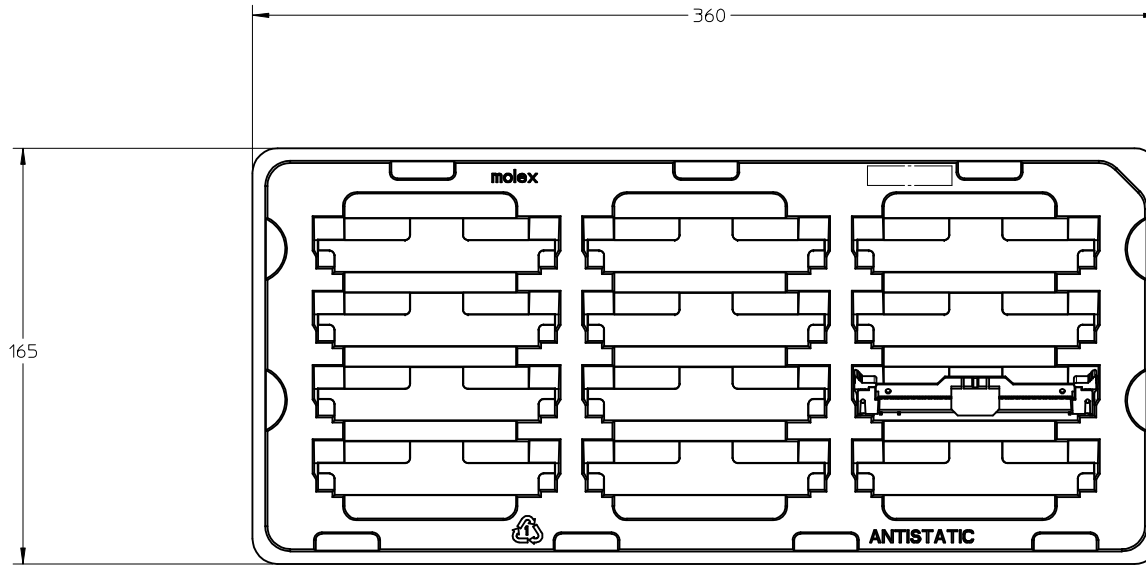


SHOWN WITH PICK & PLACE COVER

CKT SIZE 'N'	PART NUMBER	MODULE CARD	VOLTAGE KEY	DIM 'R'	DIM 'E'	DIM 'J'	DIM 'L'	DIM 'M'	DIM 'P'	DIM 'G'	DIM 'S'	DIM 'T'	DIM 'U'	DIM 'V'	DIM 'W'	DIM 'X'	DIM 'Y'	DIM 'Z'	DIM 'A'	DIM 'B'
244	78035-0001	DDR2	1.8 V	1.30	39.60	38.40	33.60	37.0	79.0	89.80	96.0	106.20	78.00	82.00	78.0	82.00	96.20	42.50	93.0	75.60
	78035-0301	DDR3	1.5 V	2.30																
200	78035-0201	DDR2	1.8 V	1.30	24.60	23.40	35.40	30.4	65.8	76.60	82.8	93.00	64.80	68.80	64.8	68.80	83.00	44.30	79.8	62.40
	78035-0202	DDR	2.5 V	2.30																

<b>NEW COVER</b> EC NO: S2010-0004 DRWN: TARUIGHAM 2009/08/12 CHKD: CGTAN 2009/08/12 APPR: SHLENI 2009/08/17	QUALITY SYMBOLS	GENERAL TOLERANCES (UNLESS SPECIFIED)	DIMENSION STYLE	SCALE	DESIGN UNITS	THIRD ANGLE PROJECTION	
	$\nabla=0$ $\square=0$	mm    INCH 4 PLACES ± --- ± --- 3 PLACES ± --- ± --- 2 PLACES ± 0.13 ± --- 1 PLACE ± 0.25 ± --- ANGULAR ± 1 °	MM ONLY	NTS	METRIC		
	DESCRIPTION	DRAFT WHERE APPLICABLE MUST REMAIN WITHIN DIMENSIONS	DRAWN BY: YTYANG01    DATE: 2005/08/12 CHECKED BY: SHLENI    DATE: 2005/08/25 APPROVED BY: GGLEE    DATE: 2005/08/25	TITLE	MINI DIMM, 0.60MM PITCH 200/244 CKTS, REV. ANGLE 22.5 DEG, SMT		
	REV		SEE TABLE	MOLEX INCORPORATED DOCUMENT NO. SD-78035-001		SHEET NO. 4 OF 5	

10 9 8 7 6 5 4 3 2 1



VIEW OF PACKAGING TRAY

NOTES:

1. QTY OF CAVITY: 3 X 4 = 12 PCS

<b>NEW COVER</b> EC NO: S2010-0004 DRWN: TARUMUGHAM 2009/08/12 CHKD: CGTAN 2009/08/12 APPR: SHLENI 2009/08/17	DESCRIPTION REV	QUALITY SYMBOLS ▽=0 ◻=0	GENERAL TOLERANCES (UNLESS SPECIFIED)		DIMENSION STYLE MM ONLY		SCALE NTS	DESIGN UNITS METRIC	THIRD ANGLE PROJECTION		
			mm	INCH	DRAWN BY	DATE	TITLE				
		4 PLACES	± ---	± ---	YTYANG01	2005/08/12	MINI DIMM, 0.60MM PITCH 200/244 CKTS, REV. ANGLE 22.5 DEG, SMT				
		3 PLACES	± ---	± ---	CHECKED BY	DATE					
2 PLACES	± 0.13	± ---	SHLENI	2005/08/25	MOLEX INCORPORATED						
1 PLACE	± 0.25	± ---	APPROVED BY	DATE							
	ANGULAR ± 1 °		MATERIAL NO.		SEE TABLE		DOCUMENT NO.		SHEET NO.		
DRAFT WHERE APPLICABLE MUST REMAIN WITHIN DIMENSIONS			SIZE		THIS DRAWING CONTAINS INFORMATION THAT IS PROPRIETARY TO MOLEX INCORPORATED AND SHOULD NOT BE USED WITHOUT WRITTEN PERMISSION						

9 8 7 6 5 4 3 2 1



## Стандарт Электрон Связь

Мы молодая и активно развивающаяся компания в области поставок электронных компонентов. Мы поставляем электронные компоненты отечественного и импортного производства напрямую от производителей и с крупнейших складов мира.

Благодаря сотрудничеству с мировыми поставщиками мы осуществляем комплексные и плановые поставки широчайшего спектра электронных компонентов.

Собственная эффективная логистика и склад в обеспечивает надежную поставку продукции в точно указанные сроки по всей России.

Мы осуществляем техническую поддержку нашим клиентам и предпродажную проверку качества продукции. На все поставляемые продукты мы предоставляем гарантию .

Осуществляем поставки продукции под контролем ВП МО РФ на предприятия военно-промышленного комплекса России , а также работаем в рамках 275 ФЗ с открытием отдельных счетов в уполномоченном банке. Система менеджмента качества компании соответствует требованиям ГОСТ ISO 9001.

Минимальные сроки поставки, гибкие цены, неограниченный ассортимент и индивидуальный подход к клиентам являются основой для выстраивания долгосрочного и эффективного сотрудничества с предприятиями радиоэлектронной промышленности, предприятиями ВПК и научно-исследовательскими институтами России.

С нами вы становитесь еще успешнее!

### Наши контакты:

**Телефон:** +7 812 627 14 35

**Электронная почта:** [sales@st-electron.ru](mailto:sales@st-electron.ru)

**Адрес:** 198099, Санкт-Петербург,  
Промышленная ул, дом № 19, литера Н,  
помещение 100-Н Офис 331