

FEATURES

- Guaranteed maximum frequency > 4GHz
- 3.3V and 5V power supply options
- Guaranteed propagation delay <440ps over temperature
- Internal 75KΩ input pull-down resistors
- Wide operating temperature range: -40°C to +85°C
- Available in 8-pin MSOP and SOIC packages


ECL Pro™

PIN NAMES

Pin	Function
CLK, /CLK	ECL Clock Inputs
Reset	ECL Asynchronous Reset
V _{BB}	Reference Voltage Output
Q, /Q	ECL Data Outputs

TRUTH TABLE⁽¹⁾

CLK	/CLK	RESET	Q	/Q
X	X	Z	L	H
Z	/Z	L	F	F

Note 1: Z = LOW-to-HIGH Transition
 /Z = HIGH-to-LOW Transition
 F = Divide by 2 function.

DESCRIPTION

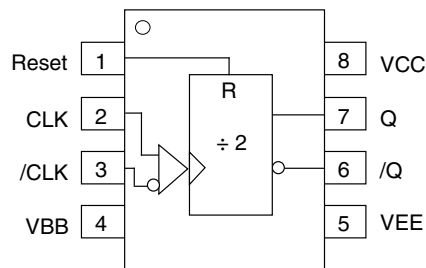
The SY10/100EP32V is an integrated ÷2 divider with differential clock inputs.

The V_{BB} pin, an internally generated voltage supply, is available to this device only. For single-ended input conditions, the unused differential input is connected to V_{BB} as a switching reference voltage. V_{BB} may also rebias AC-coupled inputs. When used, decouple V_{BB} and V_{CC} via a 0.01μF capacitor and limit current sourcing or sinking to 0.5mA. When not used, V_{BB} should be left open.

The reset pin is asynchronous and is asserted on the rising edge. Upon power-up, the internal flip-flops will attain a random state; the reset allows for the synchronous use of multiple EP32's in a system.

The 100k series includes internal temperature compensation circuitry.

PACKAGE/ORDERING INFORMATION



**8-Pin SOIC (Z8-1)
8-Pin MSOP (K8-1)**

Ordering Information⁽¹⁾

Part Number	Package Type	Operating Range	Package Marking	Lead Finish
SY10EP32VZC	Z8-1	Commercial	HEP32V	Sn-Pb
SY10EP32VZCTR ⁽²⁾	Z8-1	Commercial	HEP32V	Sn-Pb
SY100EP32VZC	Z8-1	Commercial	XEP32V	Sn-Pb
SY100EP32VZCTR ⁽²⁾	Z8-1	Commercial	XEP32V	Sn-Pb
SY10EP32VKC	K8-1	Commercial	HP32	Sn-Pb
SY10EP32VKCTR ⁽²⁾	K8-1	Commercial	HP32	Sn-Pb
SY100EP32VKC	K8-1	Commercial	XP32	Sn-Pb
SY100EP32VKCTR ⁽²⁾	K8-1	Commercial	XP32	Sn-Pb
SY10EP32VZI	Z8-1	Industrial	HEP32V	Sn-Pb
SY10EP32VZITR ⁽²⁾	Z8-1	Industrial	HEP32V	Sn-Pb
SY100EP32VZI	Z8-1	Industrial	XEP32V	Sn-Pb
SY100EP32VZITR ⁽²⁾	Z8-1	Industrial	XEP32V	Sn-Pb
SY10EP32VKI	K8-1	Industrial	HP32	Sn-Pb
SY10EP32VKITR ⁽²⁾	K8-1	Industrial	HP32	Sn-Pb
SY100EP32VKI	K8-1	Industrial	XP32	Sn-Pb
SY100EP32VKITR ⁽²⁾	K8-1	Industrial	XP32	Sn-Pb
SY10EP32VZG ⁽³⁾	Z8-1	Industrial	HEP32V with Pb-Free bar-line indicator	NiPdAu Pb-Free
SY10EP32VZGTR ^(2, 3)	Z8-1	Industrial	HEP32V with Pb-Free bar-line indicator	NiPdAu Pb-Free
SY100EP32VZG ⁽³⁾	Z8-1	Industrial	XEP32V with Pb-Free bar-line indicator	NiPdAu Pb-Free
SY100EP32VZGTR ^(2, 3)	Z8-1	Industrial	XEP32V with Pb-Free bar-line indicator	NiPdAu Pb-Free
SY10EP32VKG ⁽³⁾	K8-1	Industrial	HP32 with Pb-Free bar-line indicator	NiPdAu Pb-Free
SY10EP32VKGTR ^(2, 3)	K8-1	Industrial	HP32 with Pb-Free bar-line indicator	NiPdAu Pb-Free
SY100EP32VKG ⁽³⁾	K8-1	Industrial	XP32 with Pb-Free bar-line indicator	NiPdAu Pb-Free
SY100EP32VKGTR ^(2, 3)	K8-1	Industrial	XP32 with Pb-Free bar-line indicator	NiPdAu Pb-Free

Notes:

1. Contact factory for die availability. Dice are guaranteed at T_A = 25°C, DC Electricals only.
2. Tape and Reel.
3. Pb-Free package is recommended for new designs.

ABSOLUTE MAXIMUM RATINGS⁽¹⁾

Symbol	Rating	Value	Unit
$V_{CC} - V_{EE}$	Power Supply Voltage	+6.0	V
V_{IN}	Input Voltage ($V_{CC} = 0V$, V_{IN} not more negative than V_{EE}) Input Voltage ($V_{EE} = 0V$, V_{IN} not more positive than V_{CC})	-6.0 to 0 +6.0 to 0	V V
I_{OUT}	Output Current -Continuous -Surge	50 100	mA
I_{BB}	V_{BB} Sink/Source Current ⁽²⁾	±0.5	mA
T_A	Operating Temperature Range	-40 to +85	°C
T_{STORE}	Storage Temperature Range	-65 to +150	°C
T_{LEAD}	Lead Temperature (soldering, 20 sec.)	+260	°C
θ_{JA}	Package Thermal Resistance (Junction-to-Ambient) -Still Air SOIC -Still Air MSOP -multi-layer PCB	160 206	°C/W °C/W
θ_{JC}	Package Thermal Resistance (Junction-to-Case) SOIC MSOP	39 39	°C/W °C/W

Note 1. Permanent device damage may occur if absolute maximum ratings are exceeded. This is a stress rating only and functional operation is not implied at conditions other than those detailed in the operational sections of this data sheet. Exposure to absolute maximum rating conditions for extended periods may affect device reliability.

Note 2. Due to the limited drive capability, the V_{BB} reference should only be used for inputs from the same package device (i.e., do not sue for other devices).

(10EP) LVPECL DC ELECTRICAL CHARACTERISTICS⁽¹⁾

$V_{CC} = 3.3V \pm 10\%$; $V_{EE} = 0V$ ⁽²⁾

Symbol	Parameter	$T_A = -40^\circ C$			$T_A = +25^\circ C$			$T_A = +85^\circ C$			Unit
		Min.	Typ.	Max.	Min.	Typ.	Max.	Min.	Typ.	Max.	
I_{EE}	Power Supply Current	—	30	37	—	30	37	—	30	37	mA
V_{OH}	Output HIGH Voltage ⁽³⁾	2165	2290	2415	2230	2355	2480	2290	2415	2540	mV
V_{OL}	Output LOW Voltage ⁽³⁾	1365	1490	1615	1430	1555	1680	1490	1615	1740	mV
V_{IH}	Input HIGH Voltage (Single-Ended)	2090	—	2415	2155	—	2480	2215	—	2540	mV
V_{IL}	Input LOW Voltage (Single-Ended)	1365	—	1690	1430	—	1755	1490	—	1815	mV
V_{BB}	Output Voltage	1790	1890	1990	1855	1955	2055	1915	2015	2115	mV
V_{IHCMR}	Input HIGH Voltage ⁽⁴⁾ Common Mode Range (Differential)	2.0	—	V_{CC}	2.0	—	V_{CC}	2.0	—	V_{CC}	V
I_{IH}	Input HIGH Current	—	—	150	—	—	150	—	—	150	μA
I_{IL}	Input LOW Current	CLK /CLK	0.5 -150	— —	0.5 -150	— —	— —	0.5 -150	— —	— —	μA

Note 1. 10EP circuits are designed to meet the DC specifications shown in the above table after thermal equilibrium has been established. The circuit is in a test socket or mounted on a printed circuit board and traverse airflow greater than 500lfpm is maintained.

Note 2. Input and output parameters vary 1:1 with V_{CC} .

Note 3. All loading with 50Ω to $V_{CC} - 2.0V$.

Note 4. The V_{IHCMR} range is referenced to the most positive side of the differential input signal.

(10EP) PECL DC ELECTRICAL CHARACTERISTICS⁽¹⁾

$V_{CC} = 5.0V \pm 10\%$; $V_{EE} = 0V^{(2)}$

Symbol	Parameter	$T_A = -40^\circ C$			$T_A = +25^\circ C$			$T_A = +85^\circ C$			Unit	
		Min.	Typ.	Max.	Min.	Typ.	Max.	Min.	Typ.	Max.		
I_{EE}	Power Supply Current	—	—	37	—	30	37	—	—	37	mA	
V_{OH}	Output HIGH Voltage ⁽³⁾	3865	3990	4115	3930	4055	4180	3990	4115	4240	mV	
V_{OL}	Output LOW Voltage ⁽³⁾	3065	3190	3315	3130	3255	3380	3190	3315	3440	mV	
V_{IH}	Input HIGH Voltage (Single-Ended)	3790	—	4115	3855	—	4180	3915	—	4240	mV	
V_{IL}	Input LOW Voltage (Single-Ended)	3065	—	3390	3130	—	3455	3190	—	3515	mV	
V_{BB}	Output Voltage	3490	3590	3690	3555	3655	3755	3615	3715	3815	mV	
V_{IHCMR}	Input HIGH Voltage ⁽⁴⁾ Common Mode Range (Differential)	2.0	—	V_{CC}	2.0	—	V_{CC}	2.0	—	V_{CC}	V	
I_{IH}	Input HIGH Current	—	—	150	—	—	150	—	—	150	μA	
I_{IL}	Input LOW Current	CLK /CLK	0.5 -150	— —	— —	0.5 -150	— —	— —	0.5 -150	— —	— —	μA

Note 1. 10EP circuits are designed to meet the DC specifications shown in the above table after thermal equilibrium has been established. The circuit is in a test socket or mounted on a printed circuit board and traverse airflow greater than 500lfpm is maintained.

Note 2. Input and output parameters vary 1:1 with V_{CC} .

Note 3. All loading with 50Ω to $V_{CC} - 2.0V$.

Note 4. The V_{IHCMR} range is referenced to the most positive side of the differential input signal.

(10EP) ECL/LVECL DC ELECTRICAL CHARACTERISTICS⁽¹⁾

$V_{CC} = 0V$; $V_{EE} = -3.3V$ to $5.0V \pm 10\%^{(2)}$

Symbol	Parameter	$T_A = -40^\circ C$			$T_A = +25^\circ C$			$T_A = +85^\circ C$			Unit	
		Min.	Typ.	Max.	Min.	Typ.	Max.	Min.	Typ.	Max.		
I_{EE}	Power Supply Current	—	—	37	—	30	37	—	—	37	mA	
V_{OH}	Output HIGH Voltage ⁽³⁾	-1135	-1010	-885	-1070	-945	-820	-1010	-885	-760	mV	
V_{OL}	Output LOW Voltage ⁽³⁾	-1935	-1810	-1685	-1870	-1745	-1620	-1810	-1685	-1560	mV	
V_{IH}	Input HIGH Voltage (Single-Ended)	-1210	—	-885	-1145	—	-820	-1085	—	-760	mV	
V_{IL}	Input LOW Voltage (Single-Ended)	-1935	—	-1610	-1870	—	-1545	-1810	—	-1485	mV	
V_{BB}	Output Voltage	-1510	-1410	-1310	-1445	-1345	-1245	-1385	-1285	-1185	mV	
V_{IHCMR}	Input HIGH Voltage ⁽⁴⁾ Common Mode Range (Differential)	$V_{EE} + 2.0$		0.0	$V_{EE} + 2.0$		0.0	$V_{EE} + 2.0$		0.0	V	
I_{IH}	Input HIGH Current	—	—	150	—	—	150	—	—	150	μA	
I_{IL}	Input LOW Current	CLK /CLK	0.5 -150	— —	— —	0.5 -150	— —	— —	0.5 -150	— —	— —	μA

Note 1. 10EP circuits are designed to meet the DC specifications shown in the above table after thermal equilibrium has been established. The circuit is in a test socket or mounted on a printed circuit board and traverse airflow greater than 500lfpm is maintained.

Note 2. Input and output parameters vary 1:1 with V_{CC} .

Note 3. All loading with 50Ω to $V_{CC} - 2.0V$.

Note 4. V_{IHCMR} (min) varies 1:1 with V_{EE} . The V_{IHCMR} range is referenced to the most positive side of the differential input signal.

(100EP) LVPECL DC ELECTRICAL CHARACTERISTICS⁽¹⁾ $V_{CC} = +3.3V \pm 10\%$; $V_{EE} = 0V^{(2)}$

Symbol	Parameter	$T_A = -40^\circ C$			$T_A = +25^\circ C$			$T_A = +85^\circ C$			Unit
		Min.	Typ.	Max.	Min.	Typ.	Max.	Min.	Typ.	Max.	
I_{EE}	Power Supply Current	—	—	37	—	30	37	—	—	42	mA
V_{OH}	Output HIGH Voltage ⁽³⁾	2155	2280	2405	2155	2280	2405	2155	2280	2405	mV
V_{OL}	Output LOW Voltage ⁽³⁾	1355	1480	1605	1355	1480	1605	1355	1480	1605	mV
V_{IH}	Input HIGH Voltage (Single-Ended)	2075	—	2420	2075	—	2420	2075	—	2420	mV
V_{IL}	Input LOW Voltage (Single-Ended)	1355	—	1675	1355	—	1675	1355	—	1675	mV
V_{BB}	Output Voltage	1775	1875	1975	1775	1875	1975	1775	1875	1975	mV
V_{IHCMR}	Input HIGH Voltage ⁽⁴⁾ Common Mode Range (Differential)	2.0	—	V_{CC}	2.0	—	V_{CC}	2.0	—	V_{CC}	V
I_{IH}	Input HIGH Current	—	—	150	—	—	150	—	—	150	μA
I_{IL}	Input LOW Current	CLK /CLK	0.5 -150	— —	0.5 -150	— —	— —	0.5 -150	— —	— —	μA

Note 1. 100EP circuits are designed to meet the DC specifications shown in the above table after thermal equilibrium has been established. The circuit is in a test socket or mounted on a printed circuit board and traverse airflow greater than 500lfpm is maintained.

Note 2. Input and output parameters vary 1:1 with V_{CC} .

Note 3. All loading with 50Ω to $V_{CC} - 2.0V$.

Note 4. The V_{IHCMR} range is referenced to the most positive side of the differential input signal.

(100EP) PECL DC ELECTRICAL CHARACTERISTICS⁽¹⁾ $V_{CC} = +5.0V \pm 10\%$; $V_{EE} = 0V^{(2)}$

Symbol	Parameter	$T_A = -40^\circ C$			$T_A = +25^\circ C$			$T_A = +85^\circ C$			Unit
		Min.	Typ.	Max.	Min.	Typ.	Max.	Min.	Typ.	Max.	
I_{EE}	Power Supply Current	—	—	37	—	30	37	—	—	42	mA
V_{OH}	Output HIGH Voltage ⁽³⁾	3855	3980	4105	3855	3980	4105	3855	3980	4105	mV
V_{OL}	Output LOW Voltage ⁽³⁾	3055	3180	3305	3055	3180	3305	3055	3180	3305	mV
V_{IH}	Input HIGH Voltage (Single-Ended)	3775	—	4120	3775	—	4120	3775	—	4120	mV
V_{IL}	Input LOW Voltage (Single-Ended)	3055	—	3375	3055	—	3375	3055	—	3375	mV
V_{BB}	Output Voltage	3475	3575	3675	3475	3575	3675	3475	3575	3675	mV
V_{IHCMR}	Input HIGH Voltage ⁽⁴⁾ Common Mode Range (Differential)	2.0	—	V_{CC}	2.0	—	V_{CC}	2.0	—	V_{CC}	V
I_{IH}	Input HIGH Current	—	—	150	—	—	150	—	—	150	μA
I_{IL}	Input LOW Current	CLK /CLK	0.5 -150	— —	0.5 -150	— —	— —	0.5 -150	— —	— —	μA

Note 1. 100EP circuits are designed to meet the DC specifications shown in the above table after thermal equilibrium has been established. The circuit is in a test socket or mounted on a printed circuit board and traverse airflow greater than 500lfpm is maintained.

Note 2. Input and output parameters vary 1:1 with V_{CC} .

Note 3. All loading with 50Ω to $V_{CC} - 2.0V$.

Note 4. The V_{IHCMR} range is referenced to the most positive side of the differential input signal.

(100EP) ECL/LVECL DC ELECTRICAL CHARACTERISTICS(1)

$V_{CC} = 0V$; $V_{EE} = -3.3V$ to $-5.0V \pm 10\%$ (2)

Symbol	Parameter	$T_A = -40^\circ C$			$T_A = +25^\circ C$			$T_A = +85^\circ C$			Unit
		Min.	Typ.	Max.	Min.	Typ.	Max.	Min.	Typ.	Max.	
I_{EE}	Power Supply Current	—	—	37	—	30	37	—	—	42	mA
V_{OH}	Output HIGH Voltage(3)	-1145	-1020	-895	-1145	-1020	-895	-1145	-1020	-895	mV
V_{OL}	Output LOW Voltage(3)	-1945	-1820	-1695	-1945	-1820	-1695	-1945	-1820	-1695	mV
V_{IH}	Input HIGH Voltage (Single-Ended)	-1225	—	-880	-1225	—	-880	-1225	—	-880	mV
V_{IL}	Input LOW Voltage (Single-Ended)	-1945	—	-1625	-1945	—	-1625	-1945	—	-1625	mV
V_{BB}	Output Voltage	-1525	-1425	-1325	-1525	-1425	-1325	-1525	-1425	-1325	mV
V_{IHCMR}	Input HIGH Voltage(4) Common Mode Range (Differential)	$V_{EE} + 2.0$		0.0	$V_{EE} + 2.0$		0.0	$V_{EE} + 2.0$		0.0	V
I_{IH}	Input HIGH Current	—	—	150	—	—	150	—	—	150	μA
I_{IL}	Input LOW Current	CLK /CLK	0.5	—	—	0.5	—	—	0.5	—	μA
			-150	—	—	-150	—	—	-150	—	

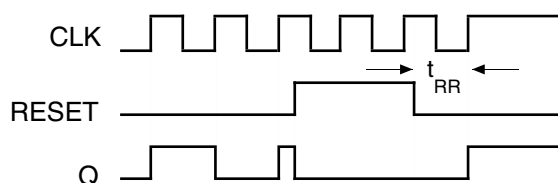
Note 1. 100EP circuits are designed to meet the DC specifications shown in the above table after thermal equilibrium has been established. The circuit is in a test socket or mounted on a printed circuit board and traverse airflow greater than 500lfpm is maintained.

Note 2. Input and output parameters vary 1:1 with V_{CC} .

Note 3. All loading with 50Ω to $V_{CC} - 2.0V$.

Note 4. $V_{IHCMR}(\text{min})$ varies 1:1 with V_{EE} . The V_{IHCMR} range is referenced to the most positive side of the differential input signal.

TIMING DIAGRAM



AC ELECTRICAL CHARACTERISTICS(1)

NECL: $V_{CC} = 0V$, $V_{EE} = -3.3V$ to $-5.0V \pm 10\%$; PECL: $V_{EE} = 0V$, $V_{CC} = +3.3V$ to $+5.0V \pm 10\%$

Symbol	Parameter	$T_A = -40^\circ C$			$T_A = +25^\circ C$			$T_A = +85^\circ C$			Unit
		Min.	Typ.	Max.	Min.	Typ.	Max.	Min.	Typ.	Max.	
f_{MAX}	Maximum Frequency ⁽³⁾	4	—	—	4	—	—	4	—	—	GHz
t_{PLH} t_{PHL}	Propagation Delay to Output Differential RESET, CLK → Q, /Q	250	330	420	260	275	430	280	400	440	ps
t_{RR}	Set/Reset Recovery	200	—	—	200	100	—	200	—	—	ps
t_{PW}	Minimum Pulse Width RESET	550	—	—	550	200	—	550	—	—	ps
t_{JITTER}	Cycle-to-Cycle RMS Jitter ⁽²⁾	—	0.2	< 1	—	0.2	< 1	—	0.2	< 1	ps(rms)
V_{PP}	Input Voltage Swing (Differential)	150	800	1200	150	800	1200	150	800	1200	mV
t_r t_f	Output Rise/Fall Times Q, /Q (20% to 80%)	50	100	150	50	100	160	50	100	160	ps

Note 1. Measured using a 750mV source, 50% duty cycle clock source. All loading with 50Ω to $V_{CC} - 2.0V$.

Note 2. See Figure 1. f_{MAX} Jitter below.

Note 3. f_{MAX} guaranteed for functionality only. V_{OL} and V_{OH} levels are guaranteed at DC only.

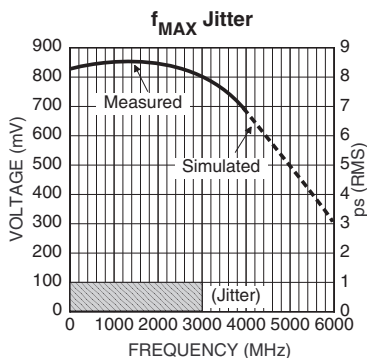
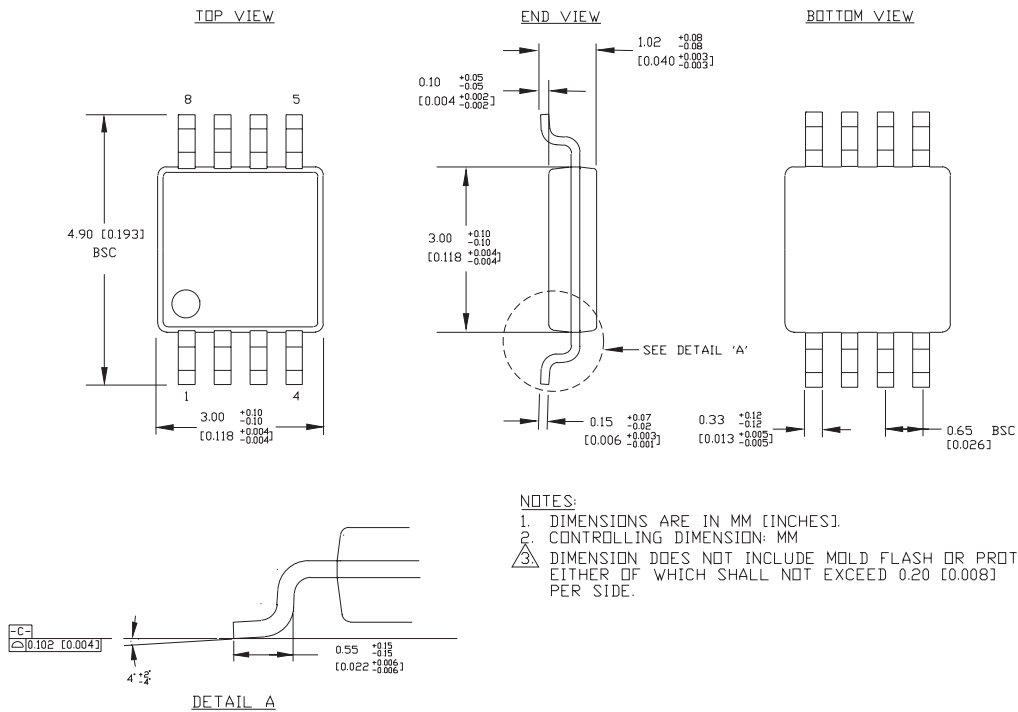


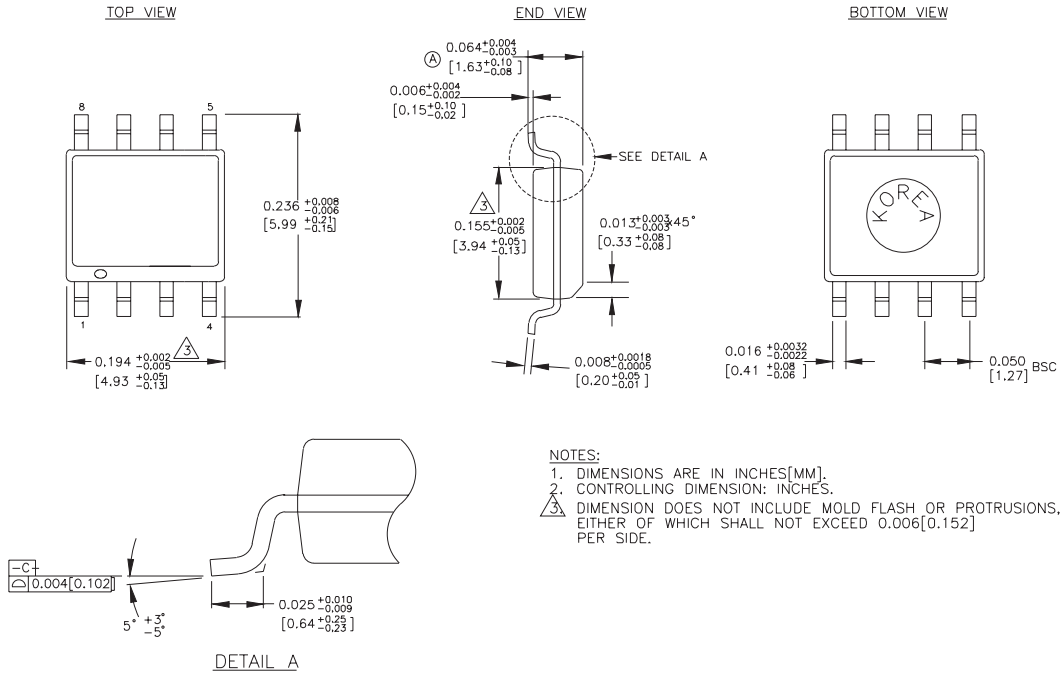
Figure 1. f_{MAX} and RMS Jitter

8 LEAD MSOP (K8-1)



Rev. 01

8 LEAD SOIC .150" WIDE (Z8-1)



Rev. 03

MICREL, INC. 2180 FORTUNE DRIVE SAN JOSE, CA 95131 USA

TEL + 1 (408) 944-0800 FAX + 1 (408) 474-1000 WEB <http://www.micrel.com>

The information furnished by Micrel in this datasheet is believed to be accurate and reliable. However, no responsibility is assumed by Micrel for its use. Micrel reserves the right to change circuitry and specifications at any time without notification to the customer.

Micrel Products are not designed or authorized for use as components in life support appliances, devices or systems where malfunction of a product can reasonably be expected to result in personal injury. Life support devices or systems are devices or systems that (a) are intended for surgical implant into the body or (b) support or sustain life, and whose failure to perform can be reasonably expected to result in a significant injury to the user. A Purchaser's use or sale of Micrel Products for use in life support appliances, devices or systems is at Purchaser's own risk and Purchaser agrees to fully indemnify Micrel for any damages resulting from such use or sale.

© 2005 Micrel, Incorporated.



Стандарт Электрон Связь

Мы молодая и активно развивающаяся компания в области поставок электронных компонентов. Мы поставляем электронные компоненты отечественного и импортного производства напрямую от производителей и с крупнейших складов мира.

Благодаря сотрудничеству с мировыми поставщиками мы осуществляем комплексные и плановые поставки широчайшего спектра электронных компонентов.

Собственная эффективная логистика и склад в обеспечивает надежную поставку продукции в точно указанные сроки по всей России.

Мы осуществляем техническую поддержку нашим клиентам и предпродажную проверку качества продукции. На все поставляемые продукты мы предоставляем гарантию .

Осуществляем поставки продукции под контролем ВП МО РФ на предприятия военно-промышленного комплекса России , а также работаем в рамках 275 ФЗ с открытием отдельных счетов в уполномоченном банке. Система менеджмента качества компании соответствует требованиям ГОСТ ISO 9001.

Минимальные сроки поставки, гибкие цены, неограниченный ассортимент и индивидуальный подход к клиентам являются основой для выстраивания долгосрочного и эффективного сотрудничества с предприятиями радиоэлектронной промышленности, предприятиями ВПК и научно-исследовательскими институтами России.

С нами вы становитесь еще успешнее!

Наши контакты:

Телефон: +7 812 627 14 35

Электронная почта: sales@st-electron.ru

Адрес: 198099, Санкт-Петербург,
Промышленная ул, дом № 19, литера Н,
помещение 100-Н Офис 331