

**PLEASE CHECK WWW.MOLEX.COM FOR LATEST PART INFORMATION**

**Part Number:** [0757830159](#)  
**Status:** **Active**  
**Overview:** [ipass](#)  
**Description:** 0.80mm (.031") Pitch, iPass™ I/O SMT Receptacle, Right Angle, Internal Application, 36 Circuit, 0.76µm (30µ") Gold (Au), Through Hole Shell, Dual Key

**Documents:**

[Drawing \(PDF\)](#) [RoHS Certificate of Compliance \(PDF\)](#)  
[Product Specification PS-75783-001 \(PDF\)](#)

**Agency Certification**

CSA LR19980  
 UL E29179

**General**

Product Family I/O Connectors  
 Series [75783](#)  
 Application Wire-to-Board  
 Comments Positive or passive latching cable available  
 Component Type Receptacle  
 Overview [ipass](#)  
 Product Name iPass™, PCI Express\*, SAS, Serial ATA  
 Type N/A

**Physical**

Boot Color N/A  
 Circuits (Loaded) 36  
 Circuits (maximum) 36  
 Color - Resin Black  
 Durability (mating cycles max) 25  
 Flammability 94V-0  
 Gender Receptacle  
 Keying to Mating Part Yes  
 Lock to Mating Part None  
 Material - Metal Copper-Nickel-Zinc, High Performance Alloy (HPA)  
 Material - Plating Mating Gold  
 Material - Plating Termination Tin  
 Material - Resin High Temperature Thermoplastic  
 Number of Rows 2  
 Orientation Right Angle  
 PCB Locator Yes  
 PCB Retention Yes  
 PCB Thickness Recommended (in) 0.140 In  
 PCB Thickness Recommended (mm) 3.56 mm  
 Packaging Type Embossed Tape on Reel  
 Panel Mount No  
 Pitch - Mating Interface (in) 0.031 In  
 Pitch - Mating Interface (mm) 0.80 mm  
 Pitch - Term. Interface (in) 0.031 In  
 Pitch - Term. Interface (mm) 0.80 mm  
 Plating min: Mating (µin) 30.4  
 Plating min: Mating (µm) 0.76  
 Plating min: Termination (µin) 101.6  
 Plating min: Termination (µm) 2.54  
 Polarized to Mating Part Yes  
 Polarized to PCB Yes



**EU RoHS**

**ELV and RoHS  
 Compliant**  
**REACH SVHC  
 Contains SVHC: No**  
**Halogen-Free  
 Status**

**China RoHS**



**Need more information on product  
 environmental compliance?**

Email [productcompliance@molex.com](mailto:productcompliance@molex.com)  
 For a multiple part number RoHS Certificate of Compliance, [click here](#)

Please visit the [Contact Us](#) section for any non-product compliance questions.

**Search Parts in this Series**

[75783Series](#)

**Mates With**

iPass™ Cable Assemblies, [79575](#) , [79576](#)  
 , [74562](#) , [74563](#) , [79536](#) , [74573](#) , [74569](#) ,  
[74586](#)

|                                |                |
|--------------------------------|----------------|
| Ports                          | 1              |
| Surface Mount Compatible (SMC) | Yes            |
| Temperature Range - Operating  | -40°C to +80°C |
| Termination Interface: Style   | Surface Mount  |
| Waterproof / Dustproof         | No             |
| Wire Insulation Diameter       | N/A            |
| Wire Size AWG                  | N/A            |

### **Electrical**

|                               |                 |
|-------------------------------|-----------------|
| Current - Maximum per Contact | 0.5A            |
| Grounding to Panel            | None            |
| Shield Type                   | Full Shield     |
| Shielded                      | Yes             |
| Voltage - Maximum             | 30V AC (RMS)/DC |

### **Material Info**

#### **Reference - Drawing Numbers**

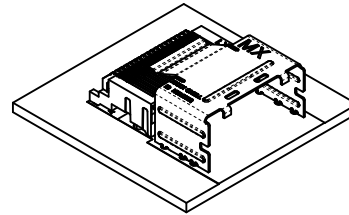
|                           |              |
|---------------------------|--------------|
| Application Specification | AS-75783-001 |
| Packaging Specification   | PK-75783-001 |
| Product Specification     | PS-75783-001 |
| Sales Drawing             | SD-75783-001 |

This document was generated on 05/28/2010

**PLEASE CHECK [WWW.MOLEX.COM](http://WWW.MOLEX.COM) FOR LATEST PART INFORMATION**



MOLD CAVITY ID  
FOR REFERENCE ONLY



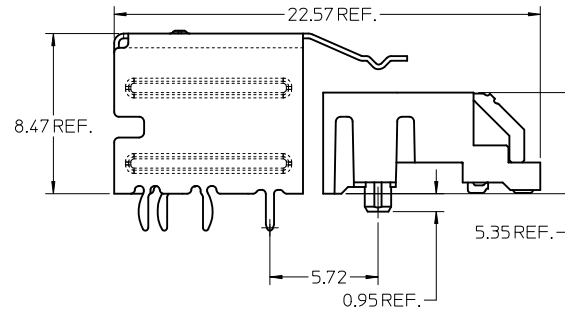
NOTES:

1. MATERIAL:  
CONNECTOR:  
HOUSING - HIGH TEMPERATURE THERMOPLASTIC GLASS FILLED, UL 94V-0, BLACK  
TERMINALS - COPPER ALLOY  
SHELL  
SILVER NICKEL, C770, THICKNESS: 0.250/0.254
2. FINISH:  
CONNECTOR  
OPTION 1  
CONTACT AREA - 0.38µm MIN GOLD OVER 2.54 µm NICKEL  
SOLDER FOOT AREA - 2.54-5.09µm TIN OVER 1.27 µm NICKEL  
OPTION 2  
CONTACT AREA - 0.76µm MIN GOLD OVER 2.54 µm NICKEL  
SOLDER FOOT AREA - 2.54-5.09µm TIN OVER 1.27 µm NICKEL
3. TERMINAL SOLDER FEET TO BE COPLANAR WITHIN 0.10 MEASURED FROM FRONT HOUSING STAND OFF (DATUM C)
4. DATE CODE: 4 DIGIT (3 DIGIT DAY, 1 DIGIT YEAR) CONNECTOR ONLY
5. CIRCUIT IDENTIFIER: SEE APPROPRIATE INDUSTRY SPECIFICATION FOR LOCATION OF PIN 1.
6. TO BE USED WITH THE FOLLOWING CABLE SERIES:  
79575/74563/79576/74573/79536/74562/74569/74586
7. PACKAGED PER PACKAGING SPECIFICATION: PK-75783-001
8. CONFORMS TO PRODUCT SPECIFICATION: PS-75783-001
9. PROCESS PER APPLICATION SPECIFICATION: AS-75783-001
10. THIS PART CONFORMS TO CLASS C REQUIREMENTS OF COSMETIC SPEC PS-45499-002



SEE NOTE 3

36 CIRCUIT  
RETENTION FIT  
SHELL OPTION SHOWN



iPass™ IS A TRADEMARK OF MOLEX

| CIRCUIT SIZE | DIM 'A' | DIM 'B' | DIM 'C' |
|--------------|---------|---------|---------|
| 26           | 12.00   | 13.80   | 11.80   |
| 36           | 16.00   | 17.80   | 15.80   |
| 50           | 21.60   | 23.40   | 21.40   |
| 68           | 28.80   | 30.60   | 28.60   |

|                 |                     |            |
|-----------------|---------------------|------------|
| GEOMETRY UPDATE | EC NO: UCP2010-1913 | 2010/02/03 |
|                 | DRINKLANG           | 2010/03/24 |
|                 | CHKD: JSWENSON      | 2010/03/24 |
|                 | APPR: MBANAKIS      | 2010/03/25 |
| REV             | DESCRIPTION         |            |
| D1              |                     |            |

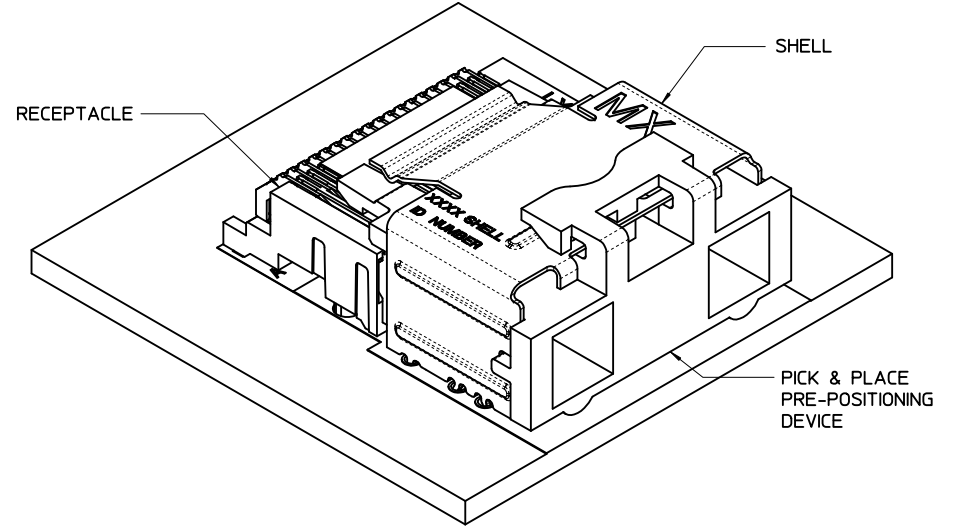
|                 |     |
|-----------------|-----|
| QUALITY SYMBOLS | ▽=0 |
|                 | ▽=0 |

|  |                 |       |
|--|-----------------|-------|
| GENERAL TOLERANCES (UNLESS SPECIFIED)                | mm              | INCH  |
|  | 4 PLACES ± ---  | ± --- |
|  | 3 PLACES ± ---  | ± --- |
|  | 2 PLACES ± 0.13 | ± --- |
|  | 1 PLACE ± 0.25  | ± --- |
|  | ANGULAR ±1/2°   |       |
| DRAFT WHERE APPLICABLE MUST REMAIN WITHIN DIMENSIONS |                 |       |

|                            |              |
|----------------------------|--------------|
| DIMENSION STYLE<br>MM ONLY |              |
| DRAWN BY                   | DATE         |
| KLANG                      | 02/09/05     |
| CHECKED BY                 | DATE         |
| JSWENSON                   | 02/09/05     |
| APPROVED BY                | DATE         |
| MBANAKIS                   | 02/02/05     |
| MATERIAL NO.               | DOCUMENT NO. |
| SEE CHART                  | SD-75783-001 |

|   |                        |                        |
|---|------------------------|------------------------|
| SCALE<br>5:1  | DESIGN UNITS<br>METRIC | THIRD ANGLE PROJECTION |
| TITLE<br>I-PASS R/A CONNECTOR<br>INTERNAL ASSY W/SHELL<br>0.8MM PITCH I/O   |                        |                        |
| MOLEX INCORPORATED  |                        |                        |
| THIS DRAWING CONTAINS INFORMATION THAT IS PROPRIETARY TO MOLEX INCORPORATED AND SHOULD NOT BE USED WITHOUT WRITTEN PERMISSION |                        | SHEET NO.<br>1 OF 12   |

# ASSEMBLY WITH PRE-POSITION DEVICE



36 CIRCUIT RETENTION-FIT SHELL OPTION SHOWN

**NOTES:**

1. PICK AND PLACE AREA DEFINED IN APPLICATION SPECIFICATION, AS-75783-001
2. PACKAGING CONSISTS OF CONNECTOR AND SHELL WITH A PRE-POSITIONING PICK AND PLACE DEVICE THAT ARE PACKAGED IN "TAPE AND REEL" FOR ROBOTIC PICK AND PLACE.

iPass™ IS A TRADEMARK OF MOLEX

| CIRCUIT SIZE | DIM 'D' |
|--------------|---------|
| 26           | 15.50   |
| 36           | 19.50   |
| 50           | 25.10   |
| 68           | 32.30   |

| SEE SHEET 1<br>EC NO: UCP2010-1913<br>DRW:KLANG 2010/02/03<br>CHKD:JSWENSON 2010/03/24<br>APPR:MBANAKIS 2010/03/25 | QUALITY SYMBOLS<br>▽=0<br>▽=0                                       | GENERAL TOLERANCES (UNLESS SPECIFIED)<br><table border="1"> <thead> <tr> <th></th> <th>mm</th> <th>INCH</th> </tr> </thead> <tbody> <tr> <td>4 PLACES</td> <td>± .005</td> <td>± .0005</td> </tr> <tr> <td>3 PLACES</td> <td>± .005</td> <td>± .0005</td> </tr> <tr> <td>2 PLACES</td> <td>± 0.13</td> <td>± .005</td> </tr> <tr> <td>1 PLACE</td> <td>± 0.25</td> <td>± .010</td> </tr> </tbody> </table> ANGULAR ±1/2° |   | mm   | INCH                                | 4 PLACES             | ± .005 | ± .0005 | 3 PLACES | ± .005 | ± .0005 | 2 PLACES | ± 0.13 | ± .005 | 1 PLACE | ± 0.25 | ± .010 | DIMENSION STYLE<br><b>MM ONLY</b> | SCALE<br>5:1 | DESIGN UNITS<br>METRIC | THIRD ANGLE PROJECTION |
|--|---|--|---|--|-------------------------------------|----------------------|--------|---------|----------|--------|---------|----------|--------|--------|---------|--------|--------|-----------------------------------|--------------|------------------------|------------------------|
|  |   | mm   | INCH  |  |                                     |                      |        |         |          |        |         |          |        |        |         |        |        |                                   |              |                        |                        |
|  | 4 PLACES  | ± .005   | ± .0005   |  |                                     |                      |        |         |          |        |         |          |        |        |         |        |        |                                   |              |                        |                        |
|  | 3 PLACES  | ± .005   | ± .0005   |  |                                     |                      |        |         |          |        |         |          |        |        |         |        |        |                                   |              |                        |                        |
| 2 PLACES   | ± 0.13  | ± .005   |   |  |                                     |                      |        |         |          |        |         |          |        |        |         |        |        |                                   |              |                        |                        |
| 1 PLACE  | ± 0.25  | ± .010   |   |  |                                     |                      |        |         |          |        |         |          |        |        |         |        |        |                                   |              |                        |                        |
| DRAWN BY<br>KLANG  | DATE<br>02/09/05  | CHECKED BY<br>JSWENSON   | DATE<br>02/09/05  | TITLE<br><b>I-PASS R/A CONNECTOR<br/>                 INTERNAL ASSY W/SHELL<br/>                 0.8MM PITCH I/O</b> |                                     |                      |        |         |          |        |         |          |        |        |         |        |        |                                   |              |                        |                        |
| APPROVED BY<br>MBANAKIS  | DATE<br>02/02/05  | MATERIAL NO.<br><b>SEE CHART</b>   |   |  | DOCUMENT NO.<br><b>SD-75783-001</b> | SHEET NO.<br>2 OF 12 |        |         |          |        |         |          |        |        |         |        |        |                                   |              |                        |                        |
| REV<br>D1  | DESCRIPTION<br>DRAFT WHERE APPLICABLE MUST REMAIN WITHIN DIMENSIONS | SIZE<br>C  | THIS DRAWING CONTAINS INFORMATION THAT IS PROPRIETARY TO MOLEX INCORPORATED AND SHOULD NOT BE USED WITHOUT WRITTEN PERMISSION |  |                                     |                      |        |         |          |        |         |          |        |        |         |        |        |                                   |              |                        |                        |

# SHELL PCB INTERFACE



RETENTION-FIT SHELL OPTION

SMT SHELL OPTION

THRU-HOLE SHELL OPTION  
SEE TABLE FOR LENGTH  
(X.XX DENOTES TAIL LENGTH)

RECOMMENDED PCB THICKNESS FOR SPECIFIED TAIL LENGTH

| TAIL LENGTH | PCB THICKNESS |
|-------------|---------------|
| 1.96        | 1.57 (.062)   |
| 2.79        | 2.36 (.093)   |
| 3.18        | 2.79 (.110)   |
| 3.56        | 3.18 (.125)   |

NOTE:  
RETENTION FIT DENOTES TAILS THAT OFFER RETENTION TO PCB DURING REFLOW PROCESS  
SMT DENOTES SURFACE MOUNT TERMINATION  
T/H X.XX DENOTES THRU-HOLE TAIL OF LENGTH X.XX

iPass™ IS A TRADEMARK OF MOLEX

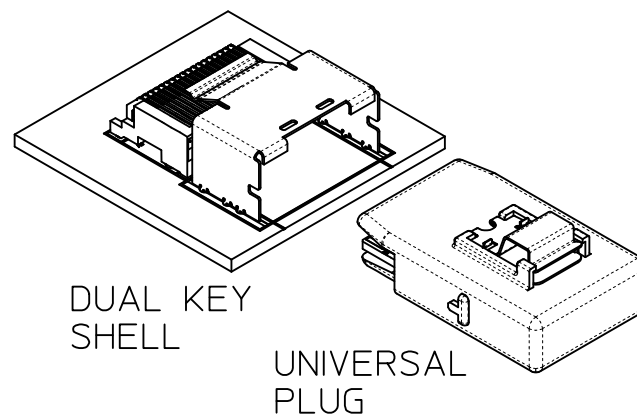
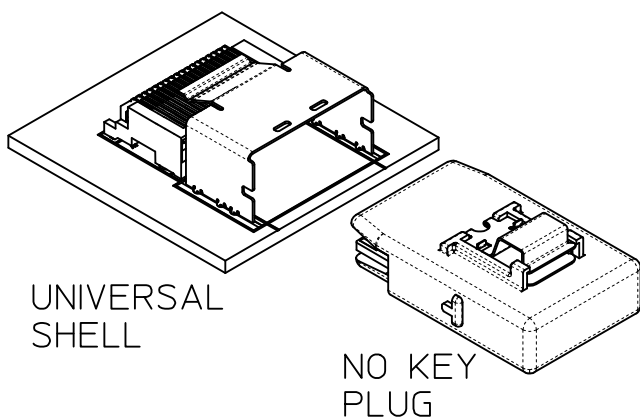
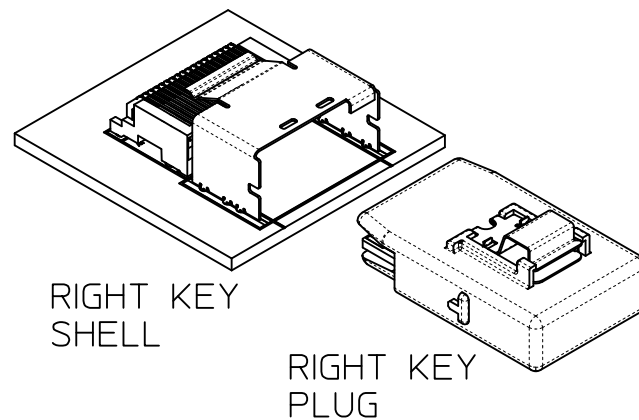
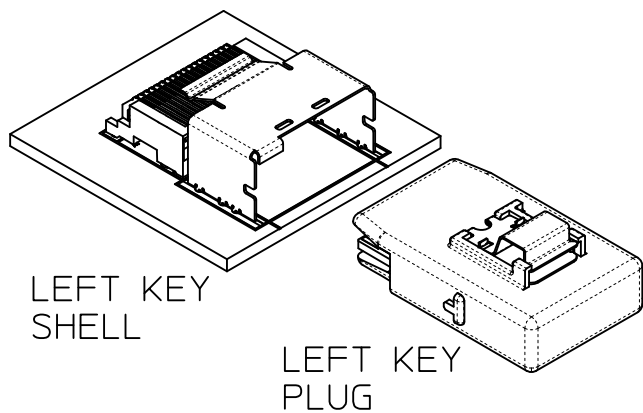
| SEE SHEET 1<br>EC NO: UCP2010-1913<br>DRW:KLANG 2010/02/03<br>CHKD:JSWENSON 2010/03/24<br>APPR:MBANAKIS 2010/03/25<br>REV D1 | QUALITY SYMBOLS<br>▽=0<br>▽=0 | GENERAL TOLERANCES (UNLESS SPECIFIED)<br><table border="1"> <thead> <tr> <th></th> <th>mm</th> <th>INCH</th> </tr> </thead> <tbody> <tr> <td>4 PLACES</td> <td>± .13</td> <td>± .005</td> </tr> <tr> <td>3 PLACES</td> <td>± .15</td> <td>± .006</td> </tr> <tr> <td>2 PLACES</td> <td>± 0.13</td> <td>± .005</td> </tr> <tr> <td>1 PLACE</td> <td>± 0.25</td> <td>± .010</td> </tr> </tbody> </table> ANGULAR ±1/2° |        | mm  | INCH | 4 PLACES             | ± .13 | ± .005 | 3 PLACES | ± .15 | ± .006 | 2 PLACES | ± 0.13 | ± .005 | 1 PLACE | ± 0.25 | ± .010 | DIMENSION STYLE<br>MM ONLY | SCALE<br>5:1 | DESIGN UNITS<br>METRIC | THIRD ANGLE PROJECTION |
|--|-------------------------------|--|--------|---|------|----------------------|-------|--------|----------|-------|--------|----------|--------|--------|---------|--------|--------|----------------------------|--------------|------------------------|------------------------|
|  |                               | mm   | INCH   |   |      |                      |       |        |          |       |        |          |        |        |         |        |        |                            |              |                        |                        |
|  | 4 PLACES                      | ± .13  | ± .005 |   |      |                      |       |        |          |       |        |          |        |        |         |        |        |                            |              |                        |                        |
|  | 3 PLACES                      | ± .15  | ± .006 |   |      |                      |       |        |          |       |        |          |        |        |         |        |        |                            |              |                        |                        |
| 2 PLACES   | ± 0.13                        | ± .005   |        |   |      |                      |       |        |          |       |        |          |        |        |         |        |        |                            |              |                        |                        |
| 1 PLACE  | ± 0.25                        | ± .010   |        |   |      |                      |       |        |          |       |        |          |        |        |         |        |        |                            |              |                        |                        |
| DRAWN BY<br>KLANG  |                               | DATE<br>02/09/05   |        | TITLE<br>I-PASS R/A CONNECTOR<br>INTERNAL ASSY W/SHELL<br>0.8MM PITCH I/O |      |                      |       |        |          |       |        |          |        |        |         |        |        |                            |              |                        |                        |
| CHECKED BY<br>JSWENSON   |                               | DATE<br>02/09/05   |        | MOLEX MOLEX INCORPORATED  |      |                      |       |        |          |       |        |          |        |        |         |        |        |                            |              |                        |                        |
| APPROVED BY<br>MBANAKIS  |                               | DATE<br>02/02/05   |        | DOCUMENT NO.<br>SD-75783-001  |      | SHEET NO.<br>3 OF 12 |       |        |          |       |        |          |        |        |         |        |        |                            |              |                        |                        |

DRAFT WHERE APPLICABLE MUST REMAIN WITHIN DIMENSIONS

SEE CHART

THIS DRAWING CONTAINS INFORMATION THAT IS PROPRIETARY TO MOLEX INCORPORATED AND SHOULD NOT BE USED WITHOUT WRITTEN PERMISSION

# KEYING OPTIONS



|                | UNIVERSAL SHELL | LEFT KEY SHELL | RIGHT KEY SHELL | DUAL KEY SHELL |
|----------------|-----------------|----------------|-----------------|----------------|
| NO KEY PLUG    | YES             | NO             | NO              | NO             |
| LEFT KEY PLUG  | YES             | YES            | NO              | NO             |
| RIGHT KEY PLUG | YES             | NO             | YES             | NO             |
| UNIVERSAL PLUG | YES             | YES            | YES             | YES            |

|   |                 |     |
|---|-----------------|-----|
| SEE SHEET 1<br>EC NO: UCP2010-1913<br>DRW:KLANG 2010/02/03<br>CHKD:JWENSON 2010/03/24<br>APPR:MBANAKIS 2010/03/25 | QUALITY SYMBOLS | ▽=0 |
|   |                 | ▽=0 |
|   | DESCRIPTION     |     |
|   | REV             | D1  |

|  |        |        |
|--|--------|--------|
| GENERAL TOLERANCES (UNLESS SPECIFIED)                | mm     | INCH   |
| 4 PLACES   | ± .13  | ± .005 |
| 3 PLACES   | ± .13  | ± .005 |
| 2 PLACES   | ± 0.13 | ± .005 |
| 1 PLACE  | ± 0.25 | ± .010 |
| ANGULAR ±1/2°  |        |        |
| DRAFT WHERE APPLICABLE MUST REMAIN WITHIN DIMENSIONS |        |        |

|                 |      |                   |
|-----------------|------|-------------------|
| DIMENSION STYLE |      | MM ONLY           |
| DRAWN BY        | DATE | KLANG 02/09/05    |
| CHECKED BY      | DATE | JWENSON 02/09/05  |
| APPROVED BY     | DATE | MBANAKIS 02/02/05 |
| MATERIAL NO.    |      | SEE CHART         |
| SIZE            | C    |                   |

|                           |              |                        |
|---------------------------|--------------|------------------------|
| SCALE                     | DESIGN UNITS | THIRD ANGLE PROJECTION |
| 2:1                       | METRIC       | ☉                      |
| DOCUMENT NO. SD-75783-001 |              |                        |
| SHEET NO. 4 OF 12         |              |                        |

iPass™ IS A TRADEMARK OF MOLEX

**MOLEX INCORPORATED**

# 26 CIRCUIT ITEM NUMBERS

| CIRCUIT SIZE | ITEM NUMBER | PLATING OPTION | SHELL PCB OPTION | SHELL KEY OPTION |
|--------------|-------------|----------------|------------------|------------------|
| 26           | 75783-0007  | OPTION 1       | RETENTION        | LEFT             |
| 26           | 75783-0008  | OPTION 1       | RETENTION        | RIGHT            |
| 26           | 75783-0009  | OPTION 1       | RETENTION        | DUAL             |
| 26           | 75783-0010  | OPTION 1       | SMT              | LEFT             |
| 26           | 75783-0011  | OPTION 1       | SMT              | RIGHT            |
| 26           | 75783-0012  | OPTION 1       | SMT              | DUAL             |
| 26           | 75783-0019  | OPTION 2       | RETENTION        | LEFT             |
| 26           | 75783-0020  | OPTION 2       | RETENTION        | RIGHT            |
| 26           | 75783-0021  | OPTION 2       | RETENTION        | DUAL             |
| 26           | 75783-0022  | OPTION 2       | SMT              | LEFT             |
| 26           | 75783-0023  | OPTION 2       | SMT              | RIGHT            |
| 26           | 75783-0024  | OPTION 2       | SMT              | DUAL             |
| 26           | 75783-0025  | OPTION 1       | RETENTION        | UNIVERSAL        |
| 26           | 75783-0026  | OPTION 1       | SMT              | UNIVERSAL        |
| 26           | 75783-0027  | OPTION 2       | RETENTION        | UNIVERSAL        |
| 26           | 75783-0028  | OPTION 2       | SMT              | UNIVERSAL        |
| 26           | 75783-0029  | OPTION 1       | T/H 1.96         | LEFT             |
| 26           | 75783-0030  | OPTION 1       | T/H 1.96         | RIGHT            |
| 26           | 75783-0031  | OPTION 1       | T/H 1.96         | DUAL             |
| 26           | 75783-0032  | OPTION 1       | T/H 1.96         | UNIVERSAL        |
| 26           | 75783-0033  | OPTION 2       | T/H 1.96         | LEFT             |
| 26           | 75783-0034  | OPTION 2       | T/H 1.96         | RIGHT            |
| 26           | 75783-0035  | OPTION 2       | T/H 1.96         | DUAL             |
| 26           | 75783-0036  | OPTION 2       | T/H 1.96         | UNIVERSAL        |

| CIRCUIT SIZE | ITEM NUMBER | PLATING OPTION | SHELL PCB OPTION | SHELL KEY OPTION |
|--------------|-------------|----------------|------------------|------------------|
| 26           | 75783-0037  | OPTION 1       | T/H 2.79         | LEFT             |
| 26           | 75783-0038  | OPTION 1       | T/H 2.79         | RIGHT            |
| 26           | 75783-0039  | OPTION 1       | T/H 2.79         | DUAL             |
| 26           | 75783-0040  | OPTION 1       | T/H 2.79         | UNIVERSAL        |
| 26           | 75783-0041  | OPTION 2       | T/H 2.79         | LEFT             |
| 26           | 75783-0042  | OPTION 2       | T/H 2.79         | RIGHT            |
| 26           | 75783-0043  | OPTION 2       | T/H 2.79         | DUAL             |
| 26           | 75783-0044  | OPTION 2       | T/H 2.79         | UNIVERSAL        |
| 26           | 75783-0045  | OPTION 1       | T/H 3.18         | LEFT             |
| 26           | 75783-0046  | OPTION 1       | T/H 3.18         | RIGHT            |
| 26           | 75783-0047  | OPTION 1       | T/H 3.18         | DUAL             |
| 26           | 75783-0048  | OPTION 1       | T/H 3.18         | UNIVERSAL        |
| 26           | 75783-0049  | OPTION 2       | T/H 3.18         | LEFT             |
| 26           | 75783-0050  | OPTION 2       | T/H 3.18         | RIGHT            |
| 26           | 75783-0051  | OPTION 2       | T/H 3.18         | DUAL             |
| 26           | 75783-0052  | OPTION 2       | T/H 3.18         | UNIVERSAL        |

iPass™ IS A TRADEMARK OF MOLEX

| SEE SHEET 1<br>EC NO: UCP2010-1913<br>DRWN: KLANG 2010/02/03<br>CHKD: JSWENSON 2010/03/24<br>APPR: MBANAKIS 2010/03/25           | DESCRIPTION<br>REV<br>D1 | QUALITY SYMBOLS<br>▽=0<br>▽=0 | GENERAL TOLERANCES (UNLESS SPECIFIED)<br><table border="1" style="width: 100%; border-collapse: collapse;"> <thead> <tr> <th></th> <th>mm</th> <th>INCH</th> </tr> </thead> <tbody> <tr> <td>4 PLACES</td> <td>± ---</td> <td>± ---</td> </tr> <tr> <td>3 PLACES</td> <td>± ---</td> <td>± ---</td> </tr> <tr> <td>2 PLACES</td> <td>± 0.13</td> <td>± ---</td> </tr> <tr> <td>1 PLACE</td> <td>± 0.25</td> <td>± ---</td> </tr> </tbody> </table> |       | mm                               | INCH | 4 PLACES                            | ± --- | ± ---                | 3 PLACES | ± --- | ± --- | 2 PLACES | ± 0.13 | ± --- | 1 PLACE | ± 0.25 | ± --- | DIMENSION STYLE<br><b>MM ONLY</b><br>DRAWN BY DATE<br>KLANG 02/09/05<br>CHECKED BY DATE<br>JSWENSON 02/09/05<br>APPROVED BY DATE<br>MBANAKIS 02/02/05 | SCALE<br><b>2:1</b> | DESIGN UNITS<br><b>METRIC</b> | THIRD ANGLE PROJECTION<br> | <b>I-PASS R/A CONNECTOR<br/>INTERNAL ASSY W/SHELL<br/>0.8MM PITCH I/O</b> |
|--|--------------------------|-------------------------------|--|-------|----------------------------------|------|-------------------------------------|-------|----------------------|----------|-------|-------|----------|--------|-------|---------|--------|-------|---|---------------------|-------------------------------|----------------------------|---|
|  |                          |                               | mm   | INCH  |                                  |      |                                     |       |                      |          |       |       |          |        |       |         |        |       |   |                     |                               |                            |   |
|  |                          | 4 PLACES                      | ± ---  | ± --- |                                  |      |                                     |       |                      |          |       |       |          |        |       |         |        |       |   |                     |                               |                            |   |
|  |                          | 3 PLACES                      | ± ---  | ± --- |                                  |      |                                     |       |                      |          |       |       |          |        |       |         |        |       |   |                     |                               |                            |   |
| 2 PLACES   | ± 0.13                   | ± ---                         |  |       |                                  |      |                                     |       |                      |          |       |       |          |        |       |         |        |       |   |                     |                               |                            |   |
| 1 PLACE  | ± 0.25                   | ± ---                         |  |       |                                  |      |                                     |       |                      |          |       |       |          |        |       |         |        |       |   |                     |                               |                            |   |
| ANGULAR ±1/2°  |                          |                               | DRAFT WHERE APPLICABLE<br>MUST REMAIN<br>WITHIN DIMENSIONS   |       | MATERIAL NO.<br><b>SEE CHART</b> |      | DOCUMENT NO.<br><b>SD-75783-001</b> |       | SHEET NO.<br>5 OF 12 |          |       |       |          |        |       |         |        |       |   |                     |                               |                            |   |
| THIS DRAWING CONTAINS INFORMATION THAT IS PROPRIETARY TO MOLEX<br>INCORPORATED AND SHOULD NOT BE USED WITHOUT WRITTEN PERMISSION |                          |                               |  |       |                                  |      |                                     |       |                      |          |       |       |          |        |       |         |        |       |   |                     |                               |                            |   |
|  |                          |                               |  |       |                                  |      |                                     |       |                      |          |       |       |          |        |       |         |        |       |   |                     |                               |                            |   |

# 36 CIRCUIT ITEM NUMBERS

| CIRCUIT SIZE | ITEM NUMBER | PLATING OPTION | SHELL PCB OPTION | SHELL KEY OPTION |
|--------------|-------------|----------------|------------------|------------------|
| 36           | 75783-0107  | OPTION 1       | RETENTION        | LEFT             |
| 36           | 75783-0108  | OPTION 1       | RETENTION        | RIGHT            |
| 36           | 75783-0109  | OPTION 1       | RETENTION        | DUAL             |
| 36           | 75783-0110  | OPTION 1       | SMT              | LEFT             |
| 36           | 75783-0111  | OPTION 1       | SMT              | RIGHT            |
| 36           | 75783-0112  | OPTION 1       | SMT              | DUAL             |
| 36           | 75783-0119  | OPTION 2       | RETENTION        | LEFT             |
| 36           | 75783-0120  | OPTION 2       | RETENTION        | RIGHT            |
| 36           | 75783-0121  | OPTION 2       | RETENTION        | DUAL             |
| 36           | 75783-0122  | OPTION 2       | SMT              | LEFT             |
| 36           | 75783-0123  | OPTION 2       | SMT              | RIGHT            |
| 36           | 75783-0124  | OPTION 2       | SMT              | DUAL             |
| 36           | 75783-0125  | OPTION 1       | RETENTION        | UNIVERSAL        |
| 36           | 75783-0126  | OPTION 1       | SMT              | UNIVERSAL        |
| 36           | 75783-0127  | OPTION 2       | RETENTION        | UNIVERSAL        |
| 36           | 75783-0128  | OPTION 2       | SMT              | UNIVERSAL        |
| 36           | 75783-0129  | OPTION 1       | T/H 1.96         | LEFT             |
| 36           | 75783-0130  | OPTION 1       | T/H 1.96         | RIGHT            |
| 36           | 75783-0131  | OPTION 1       | T/H 1.96         | DUAL             |
| 36           | 75783-0132  | OPTION 1       | T/H 1.96         | UNIVERSAL        |
| 36           | 75783-0133  | OPTION 2       | T/H 1.96         | LEFT             |
| 36           | 75783-0134  | OPTION 2       | T/H 1.96         | RIGHT            |
| 36           | 75783-0135  | OPTION 2       | T/H 1.96         | DUAL             |
| 36           | 75783-0136  | OPTION 2       | T/H 1.96         | UNIVERSAL        |

| CIRCUIT SIZE | ITEM NUMBER | PLATING OPTION | SHELL PCB OPTION | SHELL KEY OPTION |
|--------------|-------------|----------------|------------------|------------------|
| 36           | 75783-0137  | OPTION 1       | T/H 2.79         | LEFT             |
| 36           | 75783-0138  | OPTION 1       | T/H 2.79         | RIGHT            |
| 36           | 75783-0139  | OPTION 1       | T/H 2.79         | DUAL             |
| 36           | 75783-0140  | OPTION 1       | T/H 2.79         | UNIVERSAL        |
| 36           | 75783-0141  | OPTION 2       | T/H 2.79         | LEFT             |
| 36           | 75783-0142  | OPTION 2       | T/H 2.79         | RIGHT            |
| 36           | 75783-0143  | OPTION 2       | T/H 2.79         | DUAL             |
| 36           | 75783-0144  | OPTION 2       | T/H 2.79         | UNIVERSAL        |
| 36           | 75783-0145  | OPTION 1       | T/H 3.18         | LEFT             |
| 36           | 75783-0146  | OPTION 1       | T/H 3.18         | RIGHT            |
| 36           | 75783-0147  | OPTION 1       | T/H 3.18         | DUAL             |
| 36           | 75783-0148  | OPTION 1       | T/H 3.18         | UNIVERSAL        |
| 36           | 75783-0149  | OPTION 2       | T/H 3.18         | LEFT             |
| 36           | 75783-0150  | OPTION 2       | T/H 3.18         | RIGHT            |
| 36           | 75783-0151  | OPTION 2       | T/H 3.18         | DUAL             |
| 36           | 75783-0152  | OPTION 2       | T/H 3.18         | UNIVERSAL        |
| 36           | 75783-0153  | OPTION 1       | T/H 3.56         | LEFT             |
| 36           | 75783-0154  | OPTION 1       | T/H 3.56         | RIGHT            |
| 36           | 75783-0155  | OPTION 1       | T/H 3.56         | DUAL             |
| 36           | 75783-0156  | OPTION 1       | T/H 3.56         | UNIVERSAL        |
| 36           | 75783-0157  | OPTION 2       | T/H 3.56         | LEFT             |
| 36           | 75783-0158  | OPTION 2       | T/H 3.56         | RIGHT            |
| 36           | 75783-0159  | OPTION 2       | T/H 3.56         | DUAL             |
| 36           | 75783-0160  | OPTION 2       | T/H 3.56         | UNIVERSAL        |

iPass™ IS A TRADEMARK OF MOLEX

| <b>ENTER DESCRIPTION</b><br>EC NO: UCP2010-1913<br>DRW:KLANG 2010/02/03<br>CHKD:JSWENSON 2010/03/24<br>APPR:MBANAKIS 2010/03/25<br>REV: D1 | QUALITY SYMBOLS<br>▽=0<br>▽=0 | GENERAL TOLERANCES (UNLESS SPECIFIED)<br><table border="1"> <tr><th></th><th>mm</th><th>INCH</th></tr> <tr><td>4 PLACES</td><td>± ---</td><td>± ---</td></tr> <tr><td>3 PLACES</td><td>± ---</td><td>± ---</td></tr> <tr><td>2 PLACES</td><td>± 0.13</td><td>± ---</td></tr> <tr><td>1 PLACE</td><td>± 0.25</td><td>± ---</td></tr> </table> ANGULAR ±1/2° |   | mm | INCH | 4 PLACES | ± --- | ± --- | 3 PLACES | ± --- | ± --- | 2 PLACES | ± 0.13 | ± --- | 1 PLACE | ± 0.25 | ± --- | DIMENSION STYLE<br><b>MM ONLY</b><br>DRAWN BY: KLANG<br>DATE: 02/09/05<br>CHECKED BY: JSWENSON<br>DATE: 02/09/05<br>APPROVED BY: MBANAKIS<br>DATE: 02/02/05 | SCALE: 2:1<br>DESIGN UNITS: METRIC<br>THIRD ANGLE PROJECTION | TITLE:<br><b>I-PASS R/A CONNECTOR<br/>                 INTERNAL ASSY W/SHELL<br/>                 0.8MM PITCH I/O</b> | MOLEX INCORPORATED<br>DOCUMENT NO. SD-75783-001<br>SHEET NO. 6 OF 12 |
|--|-------------------------------|--|---|----|------|----------|-------|-------|----------|-------|-------|----------|--------|-------|---------|--------|-------|---|--|---|--|
|  |                               | mm   | INCH  |    |      |          |       |       |          |       |       |          |        |       |         |        |       |   |  |   |  |
|  | 4 PLACES                      | ± ---  | ± ---   |    |      |          |       |       |          |       |       |          |        |       |         |        |       |   |  |   |  |
|  | 3 PLACES                      | ± ---  | ± ---   |    |      |          |       |       |          |       |       |          |        |       |         |        |       |   |  |   |  |
| 2 PLACES   | ± 0.13                        | ± ---  |   |    |      |          |       |       |          |       |       |          |        |       |         |        |       |   |  |   |  |
| 1 PLACE  | ± 0.25                        | ± ---  |   |    |      |          |       |       |          |       |       |          |        |       |         |        |       |   |  |   |  |
| DRAFT WHERE APPLICABLE MUST REMAIN WITHIN DIMENSIONS   |                               | SEE CHART  | THIS DRAWING CONTAINS INFORMATION THAT IS PROPRIETARY TO MOLEX INCORPORATED AND SHOULD NOT BE USED WITHOUT WRITTEN PERMISSION |    |      |          |       |       |          |       |       |          |        |       |         |        |       |   |  |   |  |



# 50 CIRCUIT ITEM NUMBERS

| CIRCUIT SIZE | ITEM NUMBER | PLATING OPTION | SHELL PCB OPTION | SHELL KEY OPTION |
|--------------|-------------|----------------|------------------|------------------|
| 50           | 75783-0207  | OPTION 1       | RETENTION        | LEFT             |
| 50           | 75783-0208  | OPTION 1       | RETENTION        | RIGHT            |
| 50           | 75783-0209  | OPTION 1       | RETENTION        | DUAL             |
| 50           | 75783-0210  | OPTION 1       | SMT              | LEFT             |
| 50           | 75783-0211  | OPTION 1       | SMT              | RIGHT            |
| 50           | 75783-0212  | OPTION 1       | SMT              | DUAL             |
| 50           | 75783-0219  | OPTION 2       | RETENTION        | LEFT             |
| 50           | 75783-0220  | OPTION 2       | RETENTION        | RIGHT            |
| 50           | 75783-0221  | OPTION 2       | RETENTION        | DUAL             |
| 50           | 75783-0222  | OPTION 2       | SMT              | LEFT             |
| 50           | 75783-0223  | OPTION 2       | SMT              | RIGHT            |
| 50           | 75783-0224  | OPTION 2       | SMT              | DUAL             |
| 50           | 75783-0225  | OPTION 1       | RETENTION        | UNIVERSAL        |
| 50           | 75783-0226  | OPTION 1       | SMT              | UNIVERSAL        |
| 50           | 75783-0227  | OPTION 2       | RETENTION        | UNIVERSAL        |
| 50           | 75783-0228  | OPTION 2       | SMT              | UNIVERSAL        |
| 50           | 75783-0229  | OPTION 1       | T/H 1.96         | LEFT             |
| 50           | 75783-0230  | OPTION 1       | T/H 1.96         | RIGHT            |
| 50           | 75783-0231  | OPTION 1       | T/H 1.96         | DUAL             |
| 50           | 75783-0232  | OPTION 1       | T/H 1.96         | UNIVERSAL        |
| 50           | 75783-0233  | OPTION 2       | T/H 1.96         | LEFT             |
| 50           | 75783-0234  | OPTION 2       | T/H 1.96         | RIGHT            |
| 50           | 75783-0235  | OPTION 2       | T/H 1.96         | DUAL             |
| 50           | 75783-0236  | OPTION 2       | T/H 1.96         | UNIVERSAL        |

| CIRCUIT SIZE | ITEM NUMBER | PLATING OPTION | SHELL PCB OPTION | SHELL KEY OPTION |
|--------------|-------------|----------------|------------------|------------------|
| 50           | 75783-0237  | OPTION 1       | T/H 2.79         | LEFT             |
| 50           | 75783-0238  | OPTION 1       | T/H 2.79         | RIGHT            |
| 50           | 75783-0239  | OPTION 1       | T/H 2.79         | DUAL             |
| 50           | 75783-0240  | OPTION 1       | T/H 2.79         | UNIVERSAL        |
| 50           | 75783-0241  | OPTION 2       | T/H 2.79         | LEFT             |
| 50           | 75783-0242  | OPTION 2       | T/H 2.79         | RIGHT            |
| 50           | 75783-0243  | OPTION 2       | T/H 2.79         | DUAL             |
| 50           | 75783-0244  | OPTION 2       | T/H 2.79         | UNIVERSAL        |
| 50           | 75783-0245  | OPTION 1       | T/H 3.18         | LEFT             |
| 50           | 75783-0246  | OPTION 1       | T/H 3.18         | RIGHT            |
| 50           | 75783-0247  | OPTION 1       | T/H 3.18         | DUAL             |
| 50           | 75783-0248  | OPTION 1       | T/H 3.18         | UNIVERSAL        |
| 50           | 75783-0249  | OPTION 2       | T/H 3.18         | LEFT             |
| 50           | 75783-0250  | OPTION 2       | T/H 3.18         | RIGHT            |
| 50           | 75783-0251  | OPTION 2       | T/H 3.18         | DUAL             |
| 50           | 75783-0252  | OPTION 2       | T/H 3.18         | UNIVERSAL        |

iPass™ IS A TRADEMARK OF MOLEX

| SEE SHEET 1<br>EC NO: UCP2010-1913<br>DRW:KLANG 2010/02/03<br>CHKD:JWENSON 2010/03/24<br>APPR:MBANAKIS 2010/03/25 | DESCRIPTION<br>REV: D1 | QUALITY SYMBOLS<br>▽=0<br>▽=0 | GENERAL TOLERANCES (UNLESS SPECIFIED)<br><table border="1"> <tr> <th></th> <th>mm</th> <th>INCH</th> </tr> <tr> <td>4 PLACES</td> <td>± .005</td> <td>± .0002</td> </tr> <tr> <td>3 PLACES</td> <td>± .005</td> <td>± .0002</td> </tr> <tr> <td>2 PLACES</td> <td>± 0.13</td> <td>± .005</td> </tr> <tr> <td>1 PLACE</td> <td>± 0.25</td> <td>± .010</td> </tr> </table> ANGULAR ±1/2° |   | mm                   | INCH | 4 PLACES | ± .005 | ± .0002 | 3 PLACES | ± .005 | ± .0002 | 2 PLACES | ± 0.13 | ± .005 | 1 PLACE | ± 0.25 | ± .010 | DIMENSION STYLE<br><b>MM ONLY</b><br>DRAWN BY: KLANG DATE: 02/09/05<br>CHECKED BY: JSWENSON DATE: 02/09/05<br>APPROVED BY: MBANAKIS DATE: 02/02/05 | SCALE: 2:1<br>DESIGN UNITS: METRIC<br>THIRD ANGLE PROJECTION | TITLE<br><b>I-PASS R/A CONNECTOR<br/>                 INTERNAL ASSY W/SHELL<br/>                 0.8MM PITCH I/O</b> |
|---|------------------------|-------------------------------|--|---|----------------------|------|----------|--------|---------|----------|--------|---------|----------|--------|--------|---------|--------|--------|--|--|--|
|   |                        |                               | mm   | INCH  |                      |      |          |        |         |          |        |         |          |        |        |         |        |        |  |  |  |
|   |                        | 4 PLACES                      | ± .005   | ± .0002   |                      |      |          |        |         |          |        |         |          |        |        |         |        |        |  |  |  |
|   |                        | 3 PLACES                      | ± .005   | ± .0002   |                      |      |          |        |         |          |        |         |          |        |        |         |        |        |  |  |  |
| 2 PLACES  | ± 0.13                 | ± .005                        |  |   |                      |      |          |        |         |          |        |         |          |        |        |         |        |        |  |  |  |
| 1 PLACE   | ± 0.25                 | ± .010                        |  |   |                      |      |          |        |         |          |        |         |          |        |        |         |        |        |  |  |  |
| DRAFT WHERE APPLICABLE MUST REMAIN WITHIN DIMENSIONS  |                        |                               | MATERIAL NO.<br><b>SEE CHART</b>   | DOCUMENT NO.<br><b>SD-75783-001</b>   | SHEET NO.<br>7 OF 12 |      |          |        |         |          |        |         |          |        |        |         |        |        |  |  |  |
|   |                        |                               | SIZE: C  | THIS DRAWING CONTAINS INFORMATION THAT IS PROPRIETARY TO MOLEX INCORPORATED AND SHOULD NOT BE USED WITHOUT WRITTEN PERMISSION |                      |      |          |        |         |          |        |         |          |        |        |         |        |        |  |  |  |
|   |                        |                               |  |   |                      |      |          |        |         |          |        |         |          |        |        |         |        |        |  |  |  |

# 68 CIRCUIT ITEM NUMBERS

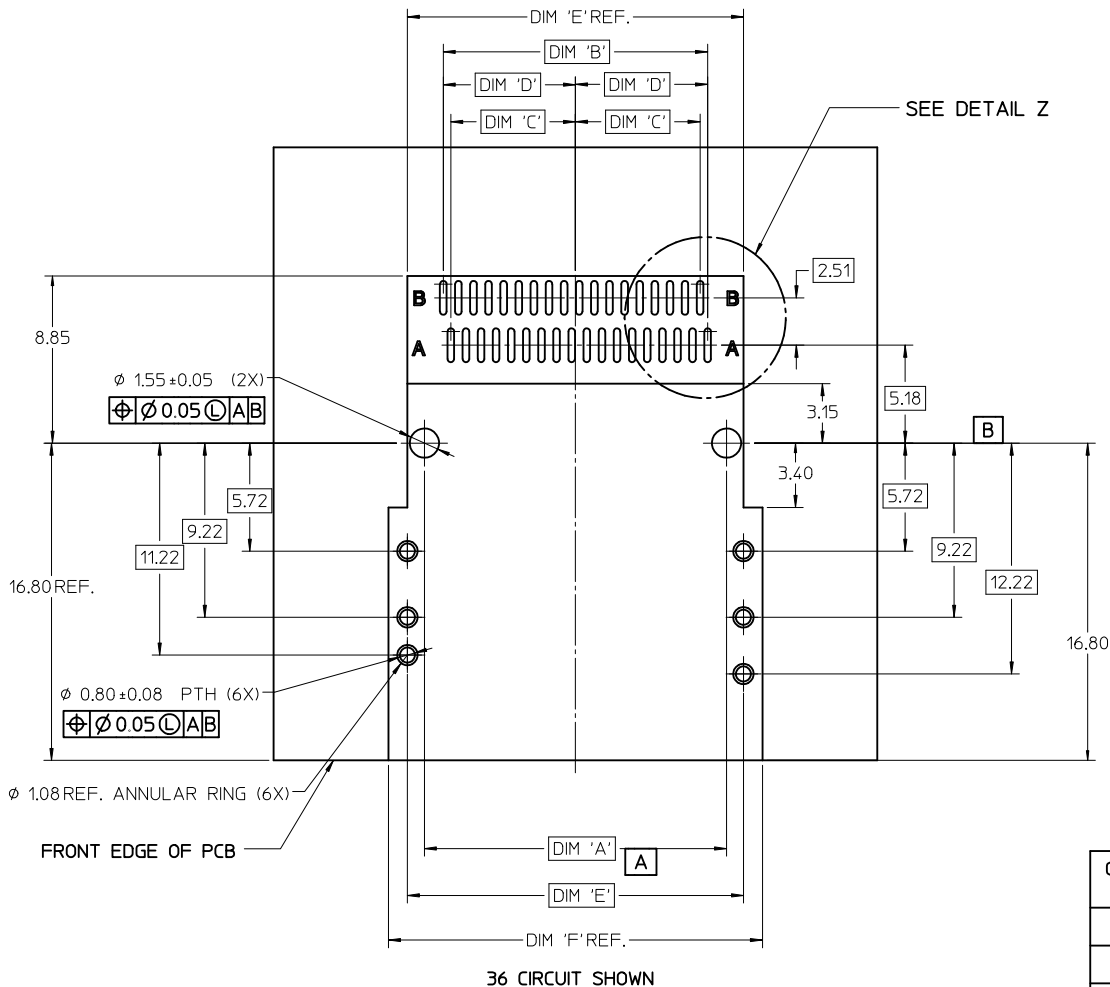
| CIRCUIT SIZE | ITEM NUMBER | PLATING OPTION | SHELL PCB OPTION | SHELL KEY OPTION |
|--------------|-------------|----------------|------------------|------------------|
| 68           | 75783-0307  | OPTION 1       | RETENTION        | LEFT             |
| 68           | 75783-0308  | OPTION 1       | RETENTION        | RIGHT            |
| 68           | 75783-0309  | OPTION 1       | RETENTION        | DUAL             |
| 68           | 75783-0310  | OPTION 1       | SMT              | LEFT             |
| 68           | 75783-0311  | OPTION 1       | SMT              | RIGHT            |
| 68           | 75783-0312  | OPTION 1       | SMT              | DUAL             |
| 68           | 75783-0319  | OPTION 2       | RETENTION        | LEFT             |
| 68           | 75783-0320  | OPTION 2       | RETENTION        | RIGHT            |
| 68           | 75783-0321  | OPTION 2       | RETENTION        | DUAL             |
| 68           | 75783-0322  | OPTION 2       | SMT              | LEFT             |
| 68           | 75783-0323  | OPTION 2       | SMT              | RIGHT            |
| 68           | 75783-0324  | OPTION 2       | SMT              | DUAL             |
| 68           | 75783-0325  | OPTION 1       | RETENTION        | UNIVERSAL        |
| 68           | 75783-0326  | OPTION 1       | SMT              | UNIVERSAL        |
| 68           | 75783-0327  | OPTION 2       | RETENTION        | UNIVERSAL        |
| 68           | 75783-0328  | OPTION 2       | SMT              | UNIVERSAL        |
| 68           | 75783-0329  | OPTION 1       | T/H 1.96         | LEFT             |
| 68           | 75783-0330  | OPTION 1       | T/H 1.96         | RIGHT            |
| 68           | 75783-0331  | OPTION 1       | T/H 1.96         | DUAL             |
| 68           | 75783-0332  | OPTION 1       | T/H 1.96         | UNIVERSAL        |
| 68           | 75783-0333  | OPTION 2       | T/H 1.96         | LEFT             |
| 68           | 75783-0334  | OPTION 2       | T/H 1.96         | RIGHT            |
| 68           | 75783-0335  | OPTION 2       | T/H 1.96         | DUAL             |
| 68           | 75783-0336  | OPTION 2       | T/H 1.96         | UNIVERSAL        |

| CIRCUIT SIZE | ITEM NUMBER | PLATING OPTION | SHELL PCB OPTION | SHELL KEY OPTION |
|--------------|-------------|----------------|------------------|------------------|
| 68           | 75783-0337  | OPTION 1       | T/H 2.79         | LEFT             |
| 68           | 75783-0338  | OPTION 1       | T/H 2.79         | RIGHT            |
| 68           | 75783-0339  | OPTION 1       | T/H 2.79         | DUAL             |
| 68           | 75783-0340  | OPTION 1       | T/H 2.79         | UNIVERSAL        |
| 68           | 75783-0341  | OPTION 2       | T/H 2.79         | LEFT             |
| 68           | 75783-0342  | OPTION 2       | T/H 2.79         | RIGHT            |
| 68           | 75783-0343  | OPTION 2       | T/H 2.79         | DUAL             |
| 68           | 75783-0344  | OPTION 2       | T/H 2.79         | UNIVERSAL        |
| 68           | 75783-0345  | OPTION 1       | T/H 3.18         | LEFT             |
| 68           | 75783-0346  | OPTION 1       | T/H 3.18         | RIGHT            |
| 68           | 75783-0347  | OPTION 1       | T/H 3.18         | DUAL             |
| 68           | 75783-0348  | OPTION 1       | T/H 3.18         | UNIVERSAL        |
| 68           | 75783-0349  | OPTION 2       | T/H 3.18         | LEFT             |
| 68           | 75783-0350  | OPTION 2       | T/H 3.18         | RIGHT            |
| 68           | 75783-0351  | OPTION 2       | T/H 3.18         | DUAL             |
| 68           | 75783-0352  | OPTION 2       | T/H 3.18         | UNIVERSAL        |

iPass™ IS A TRADEMARK OF MOLEX

|  |                               |  |       |                                   |   |   |                        |  |  |
|--|-------------------------------|--|-------|-----------------------------------|---|---|------------------------|--|--|
| SEE SHEET 1<br>EC NO: UCP2010-1913<br>DRWN: KLANG 2010/02/03<br>CHKD: JSWENSON 2010/03/24<br>APPR: MBANAKIS 2010/03/25 | QUALITY SYMBOLS<br>▽=0<br>▽=0 | GENERAL TOLERANCES (UNLESS SPECIFIED)                      |       | DIMENSION STYLE<br><b>MM ONLY</b> | SCALE<br><b>2:1</b>   | DESIGN UNITS<br><b>METRIC</b>   | THIRD ANGLE PROJECTION |  |  |
|  |                               |  |       | DRAWN BY<br>KLANG                 | DATE<br>02/09/05  | I-PASS R/A CONNECTOR<br>INTERNAL ASSY W/SHELL<br>0.8MM PITCH I/O<br><b>MOLEX INCORPORATED</b> |                        |  |  |
|  |                               | 4 PLACES ± ---   | ± --- | CHECKED BY<br>JSWENSON            | DATE<br>02/09/05  |   |                        |  |  |
|  |                               | 3 PLACES ± ---   | ± --- | APPROVED BY<br>MBANAKIS           | DATE<br>02/02/05  |   |                        |  |  |
| 2 PLACES ± 0.13  | ± ---                         | ANGULAR ±1/2°  |       | MATERIAL NO.                      |   | DOCUMENT NO.  |                        |  |  |
| 1 PLACE ± 0.25   | ± ---                         | DRAFT WHERE APPLICABLE<br>MUST REMAIN<br>WITHIN DIMENSIONS |       | SEE CHART                         |   | SD-75783-001  |                        |  |  |
| D1   | REV                           |  |       | SIZE<br>C                         | THIS DRAWING CONTAINS INFORMATION THAT IS PROPRIETARY TO MOLEX INCORPORATED AND SHOULD NOT BE USED WITHOUT WRITTEN PERMISSION |   |                        |  |  |

# RIGHT ANGLE CONNECTOR WITH RETENTION FIT & THRU-HOLE SHELL PCB FOOT PRINT



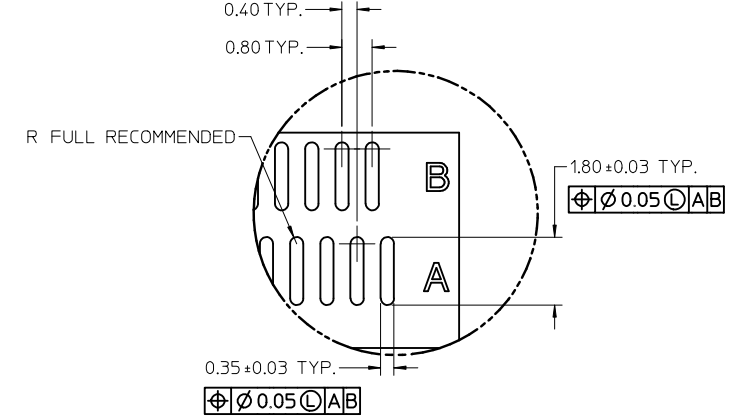
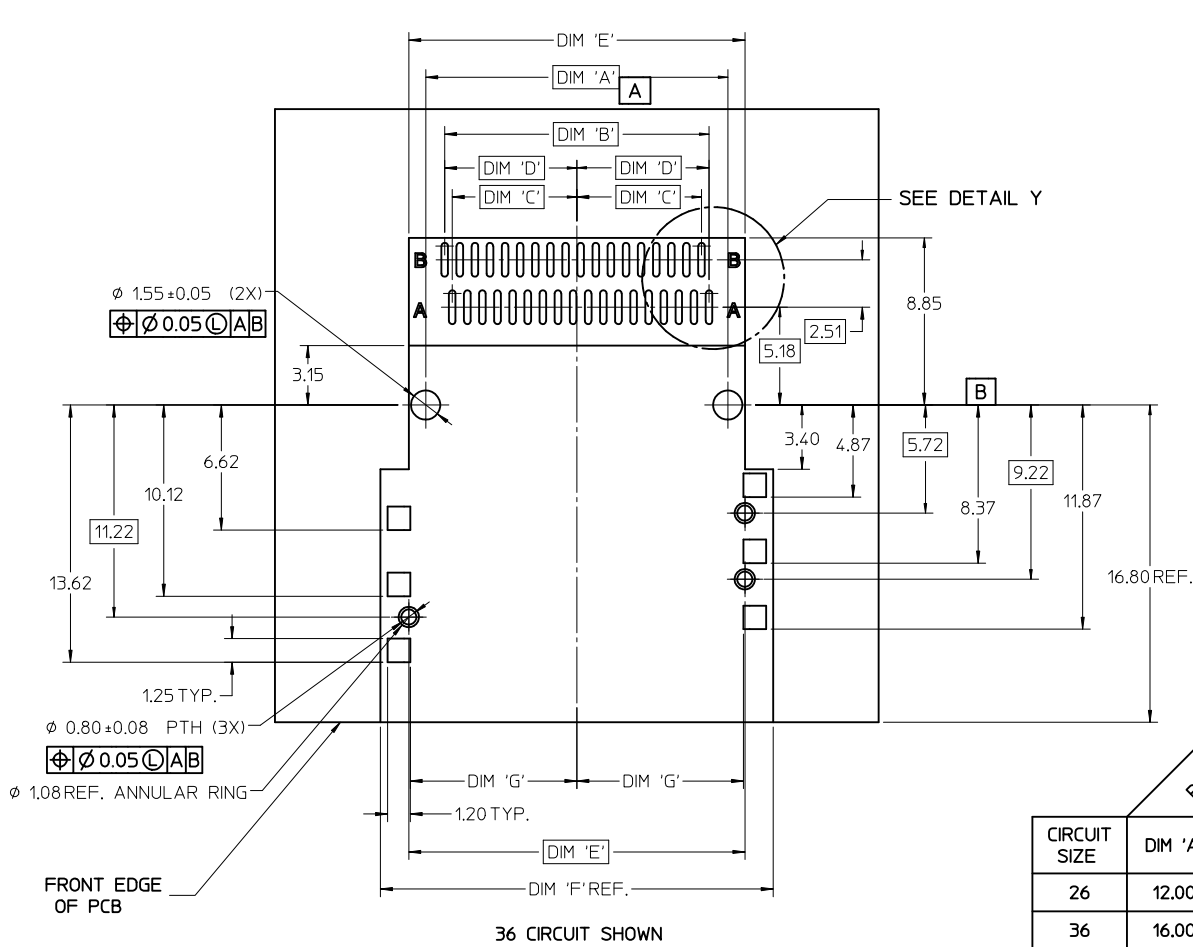
DETAIL Z  
SCALE 10:1

| CIRCUIT SIZE | DIMENSIONS |         |         |         |         |         |
|--------------|------------|---------|---------|---------|---------|---------|
|              | DIM 'A'    | DIM 'B' | DIM 'C' | DIM 'D' | DIM 'E' | DIM 'F' |
| 26           | 12.00      | 10.00   | 4.60    | 5.00    | 13.80   | 15.80   |
| 36           | 16.00      | 14.00   | 6.60    | 7.00    | 17.80   | 19.80   |
| 50           | 21.60      | 19.60   | 9.40    | 9.80    | 23.40   | 25.40   |
| 68           | 28.80      | 26.80   | 13.00   | 13.40   | 30.60   | 32.60   |

iPass™ IS A TRADEMARK OF MOLEX

|   |                               |  |   |  |  |                      |  |
|---|-------------------------------|--|---|--|--|----------------------|--|
| SEE SHEET 1<br>EC NO: UCP2010-1913<br>DRW: KLING 2010/02/03<br>CHKD: JSWENSON 2010/03/24<br>APPR: MBANAKIS 2010/03/25 | QUALITY SYMBOLS<br>▽=0<br>▽=0 | GENERAL TOLERANCES (UNLESS SPECIFIED)<br>4 PLACES ± --- ± ---<br>3 PLACES ± --- ± ---<br>2 PLACES ± 0.13 ± ---<br>1 PLACE ± 0.25 ± ---<br>ANGULAR ± 1/2° | DIMENSION STYLE<br><b>MM ONLY</b><br>DRAWN BY: KLANG<br>CHECKED BY: JSWENSON<br>APPROVED BY: MBANAKIS<br>MATERIAL NO.<br>DATE: 02/09/05<br>DATE: 02/09/05<br>DATE: 02/02/05 | SCALE: 5:1<br>DESIGN UNITS: METRIC<br>THIRD ANGLE PROJECTION | <b>I-PASS R/A CONNECTOR<br/>INTERNAL ASSY W/SHELL<br/>0.8MM PITCH I/O</b><br><b>MOLEX INCORPORATED</b> | SHEET NO.<br>9 OF 12 |  |
|   |                               | DRAFT WHERE APPLICABLE MUST REMAIN WITHIN DIMENSIONS   |   | SEE CHART  |  | SD-75783-001         |  |
|   |                               | THIS DRAWING CONTAINS INFORMATION THAT IS PROPRIETARY TO MOLEX INCORPORATED AND SHOULD NOT BE USED WITHOUT WRITTEN PERMISSION                            |   |  |  |                      |  |

# RIGHT ANGLE CONNECTOR WITH SMT SHELL PCB FOOT PRINT



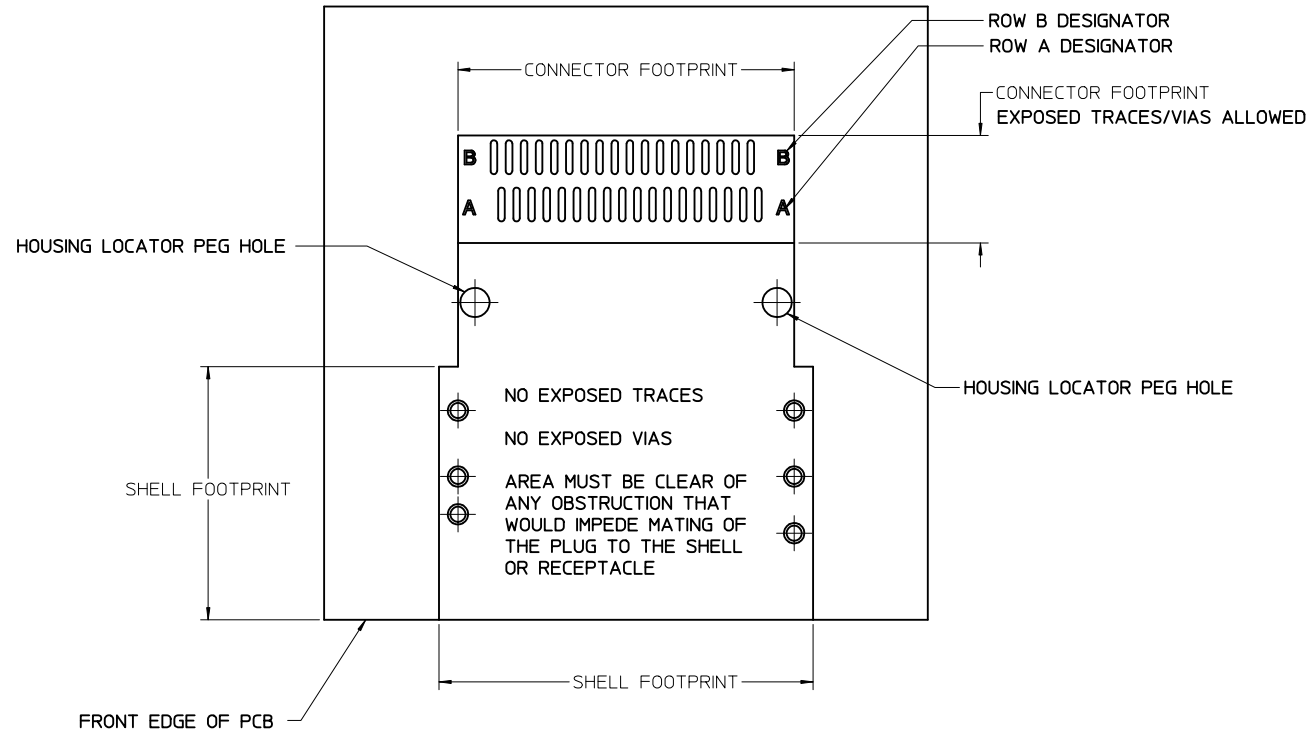
DETAIL Y  
SCALE 10:1

|              | PEG TO PEG | FIRST PAD TO LAST PAD | CENTERLINE TO PAD | CENTERLINE TO PAD | CONNECTOR WIDTH SHELL PEG TO PEG | SHELL FOOTPRINT WIDTH | CENTERLINE TO PAD EDGE |
|--------------|------------|-----------------------|-------------------|-------------------|----------------------------------|-----------------------|------------------------|
| CIRCUIT SIZE | DIM 'A'    | DIM 'B'               | DIM 'C'           | DIM 'D'           | DIM 'E'                          | DIM 'F'               | DIM 'G'                |
| 26           | 12.00      | 10.00                 | 4.60              | 5.00              | 13.80                            | 16.80                 | 6.825                  |
| 36           | 16.00      | 14.00                 | 6.60              | 7.00              | 17.80                            | 20.80                 | 8.825                  |
| 50           | 21.60      | 19.60                 | 9.40              | 9.80              | 23.40                            | 26.40                 | 11.625                 |
| 68           | 28.80      | 26.80                 | 13.00             | 13.40             | 30.60                            | 33.60                 | 15.225                 |

iPass™ IS A TRADEMARK OF MOLEX

| SEE SHEET 1<br>EC NO: UCP2010-1913<br>DRW: KLING 2010/02/03<br>CHKD: JSWENSON 2010/03/24<br>APPR: MBANAKI S 2010/03/25<br>REV: D1 | QUALITY SYMBOLS<br>$\nabla = 0$<br>$\nabla = 0$ | GENERAL TOLERANCES (UNLESS SPECIFIED)<br><table border="1" style="width: 100%; border-collapse: collapse;"> <thead> <tr> <th></th> <th>mm</th> <th>INCH</th> </tr> </thead> <tbody> <tr> <td>4 PLACES</td> <td>± ---</td> <td>± ---</td> </tr> <tr> <td>3 PLACES</td> <td>± ---</td> <td>± ---</td> </tr> <tr> <td>2 PLACES</td> <td>± 0.13</td> <td>± ---</td> </tr> <tr> <td>1 PLACE</td> <td>± 0.25</td> <td>± ---</td> </tr> </tbody> </table> |                  | mm                                  | INCH                         | 4 PLACES | ± --- | ± --- | 3 PLACES | ± --- | ± --- | 2 PLACES | ± 0.13 | ± --- | 1 PLACE | ± 0.25 | ± --- | DIMENSION STYLE<br><b>MM ONLY</b><br>DRAWN BY: KLANG<br>DATE: 02/09/05<br>CHECKED BY: JSWENSON<br>DATE: 02/09/05<br>APPROVED BY: MBANAKI S<br>DATE: 02/02/05 | SCALE: 5:1<br>DESIGN UNITS: METRIC<br>THIRD ANGLE PROJECTION | <b>I-PASS R/A CONNECTOR<br/>INTERNAL ASSY W/SHELL<br/>0.8MM PITCH I/O</b><br><b>MOLEX INCORPORATED</b> |
|---|---|--|------------------|-------------------------------------|------------------------------|----------|-------|-------|----------|-------|-------|----------|--------|-------|---------|--------|-------|--|--|--|
|   |   | mm   | INCH             |                                     |                              |          |       |       |          |       |       |          |        |       |         |        |       |  |  |  |
|   | 4 PLACES  | ± ---  | ± ---            |                                     |                              |          |       |       |          |       |       |          |        |       |         |        |       |  |  |  |
|   | 3 PLACES  | ± ---  | ± ---            |                                     |                              |          |       |       |          |       |       |          |        |       |         |        |       |  |  |  |
| 2 PLACES  | ± 0.13  | ± ---  |                  |                                     |                              |          |       |       |          |       |       |          |        |       |         |        |       |  |  |  |
| 1 PLACE   | ± 0.25  | ± ---  |                  |                                     |                              |          |       |       |          |       |       |          |        |       |         |        |       |  |  |  |
| DRAFT WHERE APPLICABLE MUST REMAIN WITHIN DIMENSIONS  |   |  | <b>SEE CHART</b> | DOCUMENT NO.<br><b>SD-75783-001</b> | SHEET NO.<br><b>10 OF 12</b> |          |       |       |          |       |       |          |        |       |         |        |       |  |  |  |
| THIS DRAWING CONTAINS INFORMATION THAT IS PROPRIETARY TO MOLEX INCORPORATED AND SHOULD NOT BE USED WITHOUT WRITTEN PERMISSION     |   |  |                  |                                     |                              |          |       |       |          |       |       |          |        |       |         |        |       |  |  |  |
| MATERIAL NO.  |   |  |                  |                                     |                              |          |       |       |          |       |       |          |        |       |         |        |       |  |  |  |

# RIGHT ANGLE CONNECTOR WITH SHELL PCB FOOT PRINT DESCRIPTIONS



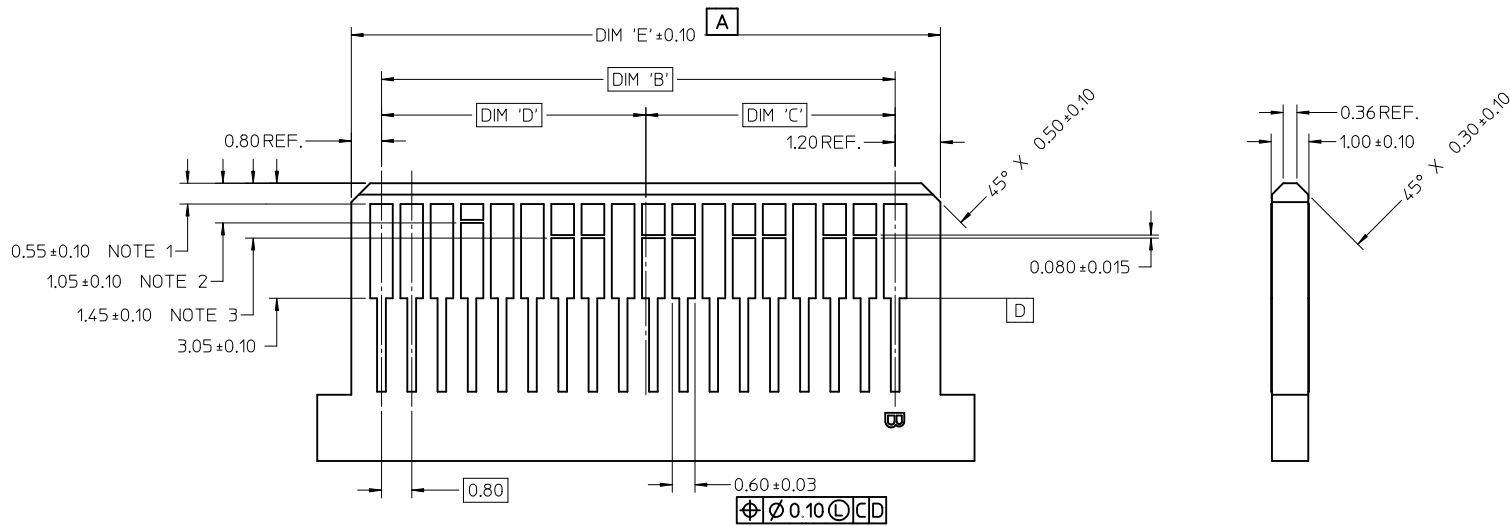
36 CIRCUIT SHOWN

NOTE: IF RECEPTACLE AND SHELL ARE NOT PLACED AT EDGE OF PCB AS SHOWN, ADDITIONAL CLEARANCE IS NEEDED FOR BODY OF PLUG AND CABLE

iPass™ IS A TRADEMARK OF MOLEX

|  |                               |                                       |       |                                   |                     |   |                        |  |
|--|-------------------------------|---------------------------------------|-------|-----------------------------------|---------------------|---|------------------------|--|
| SEE SHEET 1<br>EC NO: UCP2010-1913<br>DRW:KLANG 2010/02/03<br>CHKD:JSWENSON 2010/03/24<br>APPR:MBANAKIS 2010/03/25 | QUALITY SYMBOLS<br>▽=0<br>▽=0 | GENERAL TOLERANCES (UNLESS SPECIFIED) |       | DIMENSION STYLE<br><b>MM ONLY</b> | SCALE<br><b>5:1</b> | DESIGN UNITS<br><b>METRIC</b>   | THIRD ANGLE PROJECTION |  |
|  |                               |                                       |       | mm                                | INCH                | DRAWN BY<br>KLANG   | DATE<br>02/09/05       | I-PASS R/A CONNECTOR<br>INTERNAL ASSY W/SHELL<br>0.8MM PITCH I/O |
|  |                               | 4 PLACES ± ---                        | ± --- | ± ---                             | ± ---               | CHECKED BY<br>JSWENSON  | DATE<br>02/09/05       |  |
|  |                               | 3 PLACES ± ---                        | ± --- | ± ---                             | ± ---               | APPROVED BY<br>MBANAKIS   | DATE<br>02/02/05       |  |
| 2 PLACES ± 0.13  | ± ---                         | ± ---                                 | ± --- | MOLEX MOLEX INCORPORATED          |                     |   |                        |  |
| 1 PLACE ± 0.25   | ± ---                         | ± ---                                 | ± --- | MATERIAL NO. SEE CHART            |                     |   |                        |  |
| ANGULAR ±1/2°  |                               |                                       |       | DOCUMENT NO. SD-75783-001         |                     | SHEET NO. 11 OF 12  |                        |  |
| DRAFT WHERE APPLICABLE MUST REMAIN WITHIN DIMENSIONS   |                               |                                       |       | SIZE C                            |                     | THIS DRAWING CONTAINS INFORMATION THAT IS PROPRIETARY TO MOLEX INCORPORATED AND SHOULD NOT BE USED WITHOUT WRITTEN PERMISSION |                        |  |

# MATING INTERFACE (FOR REFERENCE ONLY)



- NOTES:**
- PAD CONFIGURATION FOR FIRST MATE.
  - PAD CONFIGURATION FOR SECOND MATE.
  - PAD CONFIGURATION FOR THIRD MATE.  
(HIGH SPEED SIGNALS)
  - FOR PIN ASSIGNMENTS AND MATING SEQUENCE  
(1ST, 2ND, 3RD), SEE APPLICABLE  
SPECIFICATION.
  - MINIMUM STEP REQUIRED IF PCB MADE  
WIDER THAN TOUNGE.

| CIRCUIT SIZE | TERM/SIDE 'N' | DIM 'B' | DIM 'C' | DIM 'D' | DIM 'E' |
|--------------|---------------|---------|---------|---------|---------|
| 26           | 13            | 9.60    | 4.60    | 5.00    | 11.60   |
| 36           | 18            | 13.60   | 6.60    | 7.00    | 15.60   |
| 50           | 25            | 19.20   | 9.40    | 9.80    | 21.20   |
| 68           | 34            | 26.40   | 13.00   | 13.40   | 28.40   |

| SEE SHEET 1<br>EC NO: UCP2010-1913<br>DRW:KLANG 2010/02/03<br>CHKD:JSWENSON 2010/03/24<br>APPR:MBANAKIS 2010/03/25 | QUALITY SYMBOLS<br>▽=0<br>▽=0 | GENERAL TOLERANCES (UNLESS SPECIFIED)<br><table border="1"> <thead> <tr> <th></th> <th>mm</th> <th>INCH</th> </tr> </thead> <tbody> <tr> <td>4 PLACES</td> <td>± ---</td> <td>± ---</td> </tr> <tr> <td>3 PLACES</td> <td>± ---</td> <td>± ---</td> </tr> <tr> <td>2 PLACES</td> <td>± 0.13</td> <td>± ---</td> </tr> <tr> <td>1 PLACE</td> <td>± 0.25</td> <td>± ---</td> </tr> </tbody> </table> ANGULAR ±1/2° |                              | mm                    | INCH  | 4 PLACES | ± --- | ± --- | 3 PLACES | ± --- | ± --- | 2 PLACES | ± 0.13 | ± --- | 1 PLACE | ± 0.25 | ± --- | DIMENSION STYLE<br><b>MM ONLY</b> | SCALE<br><b>10:1</b> | DESIGN UNITS<br><b>METRIC</b> | THIRD ANGLE PROJECTION |
|--|-------------------------------|--|------------------------------|-----------------------|---|----------|-------|-------|----------|-------|-------|----------|--------|-------|---------|--------|-------|-----------------------------------|----------------------|-------------------------------|------------------------|
|  |                               | mm   | INCH                         |                       |   |          |       |       |          |       |       |          |        |       |         |        |       |                                   |                      |                               |                        |
|  | 4 PLACES                      | ± ---  | ± ---                        |                       |   |          |       |       |          |       |       |          |        |       |         |        |       |                                   |                      |                               |                        |
|  | 3 PLACES                      | ± ---  | ± ---                        |                       |   |          |       |       |          |       |       |          |        |       |         |        |       |                                   |                      |                               |                        |
| 2 PLACES   | ± 0.13                        | ± ---  |                              |                       |   |          |       |       |          |       |       |          |        |       |         |        |       |                                   |                      |                               |                        |
| 1 PLACE  | ± 0.25                        | ± ---  |                              |                       |   |          |       |       |          |       |       |          |        |       |         |        |       |                                   |                      |                               |                        |
| DRAWN BY<br>KLANG  | DATE<br>02/09/05              | TITLE<br><b>I-PASS R/A CONNECTOR<br/>INTERNAL ASSY W/SHELL<br/>0.8MM PITCH I/O</b>   |                              |                       |   |          |       |       |          |       |       |          |        |       |         |        |       |                                   |                      |                               |                        |
| CHECKED BY<br>JSWENSON   | DATE<br>02/09/05              | MOLEX INCORPORATED   |                              |                       |   |          |       |       |          |       |       |          |        |       |         |        |       |                                   |                      |                               |                        |
| APPROVED BY<br>MBANAKIS  | DATE<br>02/02/05              | SEE CHART  | DOCUMENT NO.<br>SD-75783-001 | SHEET NO.<br>12 OF 12 | THIS DRAWING CONTAINS INFORMATION THAT IS PROPRIETARY TO MOLEX INCORPORATED AND SHOULD NOT BE USED WITHOUT WRITTEN PERMISSION |          |       |       |          |       |       |          |        |       |         |        |       |                                   |                      |                               |                        |



## Стандарт Электрон Связь

Мы молодая и активно развивающаяся компания в области поставок электронных компонентов. Мы поставляем электронные компоненты отечественного и импортного производства напрямую от производителей и с крупнейших складов мира.

Благодаря сотрудничеству с мировыми поставщиками мы осуществляем комплексные и плановые поставки широчайшего спектра электронных компонентов.

Собственная эффективная логистика и склад в обеспечивает надежную поставку продукции в точно указанные сроки по всей России.

Мы осуществляем техническую поддержку нашим клиентам и предпродажную проверку качества продукции. На все поставляемые продукты мы предоставляем гарантию .

Осуществляем поставки продукции под контролем ВП МО РФ на предприятия военно-промышленного комплекса России , а также работаем в рамках 275 ФЗ с открытием отдельных счетов в уполномоченном банке. Система менеджмента качества компании соответствует требованиям ГОСТ ISO 9001.

Минимальные сроки поставки, гибкие цены, неограниченный ассортимент и индивидуальный подход к клиентам являются основой для выстраивания долгосрочного и эффективного сотрудничества с предприятиями радиоэлектронной промышленности, предприятиями ВПК и научно-исследовательскими институтами России.

С нами вы становитесь еще успешнее!

### Наши контакты:

**Телефон:** +7 812 627 14 35

**Электронная почта:** [sales@st-electron.ru](mailto:sales@st-electron.ru)

**Адрес:** 198099, Санкт-Петербург,  
Промышленная ул, дом № 19, литера Н,  
помещение 100-Н Офис 331