

# uA748C, uA748M GENERAL-PURPOSE OPERATIONAL AMPLIFIERS

SLOS095 – D921, DECEMBER 1970 – REVISED OCTOBER 1990

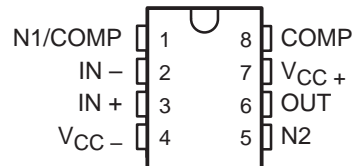
- Frequency and Transient Response Characteristics Adjustable
- Short-Circuit Protection
- Offset-Voltage Null Capability
- Wide Common-Mode and Differential Voltage Ranges
- Low Power Consumption
- No Latch-Up
- Same Pin Assignments as uA709

## description

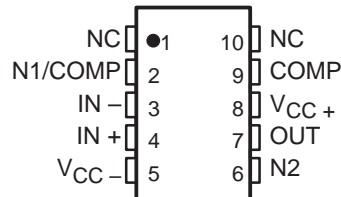
The uA748 is a general-purpose operational amplifier that offers the same advantages and attractive features as the uA741 except for internal compensation. External compensation can be as simple as a 30-pF capacitor for unity-gain conditions and, when the closed-loop gain is greater than one, can be changed to obtain wider bandwidth or higher slew rate. This circuit features high gain, large differential and common-mode input voltage range, and output short-circuit protection. Input offset-voltage adjustment can be provided by connecting a variable resistor between the offset null pins as shown in Figure 12.

The uA748C is characterized for operation from 0°C to 70°C; the uA748M is characterized for operation over the full military temperature range of –55°C to 125°C.

**uA748C . . . D OR P PACKAGE  
uA748M . . . JG PACKAGE  
(TOP VIEW)**

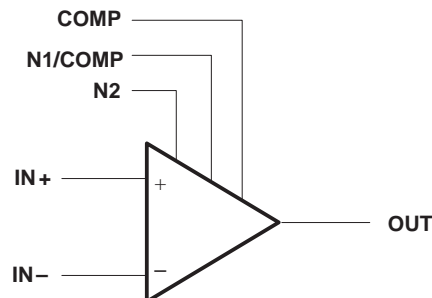


**uA748M . . . U FLAT PACKAGE  
(TOP VIEW)**



NC – No internal connection

## symbol



## AVAILABLE OPTIONS

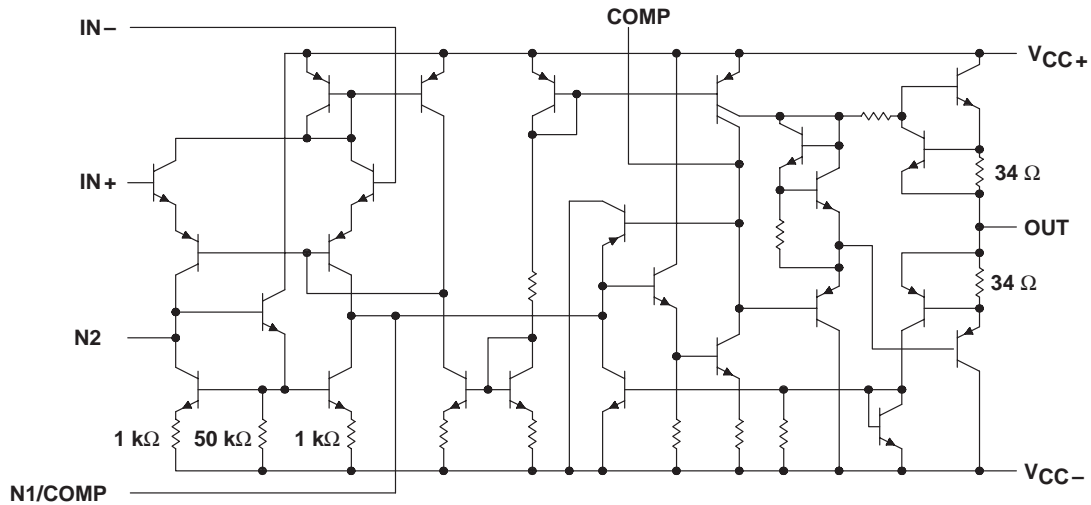
T <sub>A</sub>	V <sub>IO</sub> max AT 25°C	PACKAGE			
		8-PIN			10-PIN
		SMALL OUTLINE (D)	CERAMIC DIP (JG)	PLASTIC DIP (P)	FLAT PACK (U)
0°C to 70°C	6 mV	uA748CD	—	uA748CP	—
–55°C to 125°C	5 mV	—	uA748MJG	—	uA747MU

The D package is available taped and reeled. Add the suffix R to the device type, (e.g., uA748CDR).

# uA748C, uA748M GENERAL-PURPOSE OPERATIONAL AMPLIFIERS

SLOS095 – D921, DECEMBER 1970 – REVISED OCTOBER 1990

## schematic



Resistor values shown are nominal.

## absolute maximum ratings over operating free-air temperature range (unless otherwise noted)

	uA748C	uA748M	UNIT
Supply voltage, $V_{CC+}$ (see Note 1)	18	22	V
Supply voltage, $V_{CC-}$ (see Note 1)	-18	-22	V
Differential input voltage (see Note 2)	$\pm 30$	$\pm 30$	V
Input voltage (either input, see Notes 1 and 3)	$\pm 15$	$\pm 15$	V
Voltage range between either offset null terminal (N1/N2) and $V_{CC-}$	-0.5 to 2	-0.5	V
Duration of output short circuit (see Note 4)	unlimited	unlimited	
Continuous total power dissipation	See Dissipation Rating Table		
Operating free-air temperature range	0 to 70	-55 to 125	$^{\circ}\text{C}$
Storage temperature range	-65 to 150	-65 to 150	$^{\circ}\text{C}$
Lead temperature 1,6 mm (1/16 inch) from case for 60 seconds	JG or U package		300
Lead temperature 1,6 mm (1/16 inch) from case for 10 seconds	D or P package		260

NOTES: 1. All voltage values, unless otherwise noted, are with respect to the midpoint between  $V_{CC+}$  and  $V_{CC-}$ .

2. Differential voltages are at the noninverting input terminal with respect to the inverting input terminal.

3. The magnitude of the input voltage must never exceed the magnitude of the supply voltage or 15V, whichever is less.

4. The output may be shorted to ground or either power supply. For the uA748M only, the unlimited duration of the short circuit applies at (or below) 125 $^{\circ}\text{C}$  case temperature or 75 $^{\circ}\text{C}$  free-air temperature

DISSIPATION RATING TABLE

PACKAGE	$T_A \leq 25^{\circ}\text{C}$ POWER RATING	DERATING FACTOR	DERATE ABOVE $T_A$	$T_A = 70^{\circ}\text{C}$ POWER RATING	$T_A = 125^{\circ}\text{C}$ POWER RATING
D	500 mW	5.8 mW/ $^{\circ}\text{C}$	64 $^{\circ}\text{C}$	464 mW	N/A
JG	500 mW	8.4 mW/ $^{\circ}\text{C}$	90 $^{\circ}\text{C}$	500 mW	210 mW
P	500 mW	N/A	N/A	500 mW	N/A
U	500 mW	5.4 mW/ $^{\circ}\text{C}$	57 $^{\circ}\text{C}$	432 mW	135 mW

**uA748C, uA748M**  
**GENERAL-PURPOSE OPERATIONAL AMPLIFIERS**

SLOS095 – D921, DECEMBER 1970 – REVISED OCTOBER 1990

**electrical characteristics at specified free-air temperature,  $V_{CC} \pm = \pm 15 \text{ V}$ ,  $C_C = 30 \text{ pF}$**

PARAMETER	TEST CONDITIONST	uA748C			uA748M			UNIT
		MIN	TYP	MAX	MIN	TYP	MAX	
$V_{IO}$ Input offset voltage	$V_O = 0$	25°C	1	6	1	5	mV	
		Full range		7.5		6		
$I_{IO}$ Input offset current	$V_O = 0$	25°C	20	200	20	200	nA	
		Full range		300		500		
$I_{IB}$ Input bias current	$V_O = 0$	25°C	80	500	80	500	nA	
		Full range		800		1500		
$V_{ICR}$ Common-mode input voltage range		25°C	$\pm 12$	$\pm 13$	$\pm 12$	$\pm 13$	V	
		Full range	$\pm 12$		$\pm 12$			
$V_{O(PP)}$ Maximum peak output voltage swing	$R_L = 10 \text{ k}\Omega$	25°C	$\pm 12$	$\pm 14$	$\pm 12$	$\pm 14$	V	
	$R_L \geq 10 \text{ k}\Omega$	Full range	$\pm 12$		$\pm 12$			
	$R_L = 2 \text{ k}\Omega$	25°C	$\pm 10$	$\pm 13$	$\pm 10$	$\pm 13$		
	$R_L \geq 2 \text{ k}\Omega$	Full range	$\pm 10$		$\pm 10$			
$A_{VD}$ Large-signal differential voltage amplification	$R_L \geq 2 \text{ k}\Omega$ , $V_O = \pm 10 \text{ V}$	25°C	20	200	50	200	V/mV	
		Full range	15		25			
$r_i$ Input resistance		25°C	0.3	2	0.3	2	M $\Omega$	
$r_o$ Output resistance	$V_O = 0$ , See Note 5	25°C		75		75	$\Omega$	
$C_i$ Input capacitance		25°C		1.4		1.4	pF	
CMRR Common-mode rejection ratio	$V_{IC} = V_{ICRmin}$ , $V_O = 0$	25°C	70	90	70	90	dB	
		Full range	70		70			
$k_{SVS}$ Supply-voltage sensitivity ( $\Delta V_{IO} / \Delta V_{CC}$ )	$V_{CC} = \pm 9 \text{ V}$ to $\pm 15 \text{ V}$ , $V_O = 0$	25°C	30	150	30	150	$\mu\text{V/V}$	
		Full range		150		150		
$I_{OS}$ Short-circuit output current		25°C	$\pm 25$	$\pm 40$	$\pm 25$	$\pm 40$	mA	
$I_{CC}$ Supply current	No load, $V_O = 0$	25°C	1.7	2.8	1.7	2.8	mA	
		Full range		3.3		3.3		
$P_D$ Power dissipation (each amplifier)	No load, $V_O = 0$	25°C	50	85	50	85	mW	
		Full range		100		100		

† All characteristics are measured under open-loop conditions with zero common-mode input voltage unless otherwise specified. Full range for uA748C is 0°C to 70°C and for uA748M is –55°C to 125°C.

NOTE 5: This typical value applies only at frequencies above a few hundred hertz because of the effects of drift and thermal feedback.

**operating characteristics,  $V_{CC} \pm = \pm 15 \text{ V}$ ,  $T_A = 25^\circ\text{C}$**

PARAMETER	TEST CONDITIONS	MIN	TYP	MAX	UNIT
$t_r$ Rise time	$V_I = 20 \text{ mV}$ , $R_L = 2 \text{ k}\Omega$ , $C_L = 100 \text{ pF}$ , $C_C = 30 \text{ pF}$ , See Figure 1		0.3		$\mu\text{s}$
		Overshoot factor		5%	
SR Slew rate at unity gain	$V_I = 10 \text{ V}$ , $R_L = 2 \text{ k}\Omega$ , $C_L = 100 \text{ pF}$ , $C_C = 30 \text{ pF}$ , See Figure 1		0.5		V/ $\mu\text{s}$



# uA748C, uA748M GENERAL-PURPOSE OPERATIONAL AMPLIFIERS

SLOS095 – D921, DECEMBER 1970 – REVISED OCTOBER 1990

## PARAMETER MEASUREMENT INFORMATION

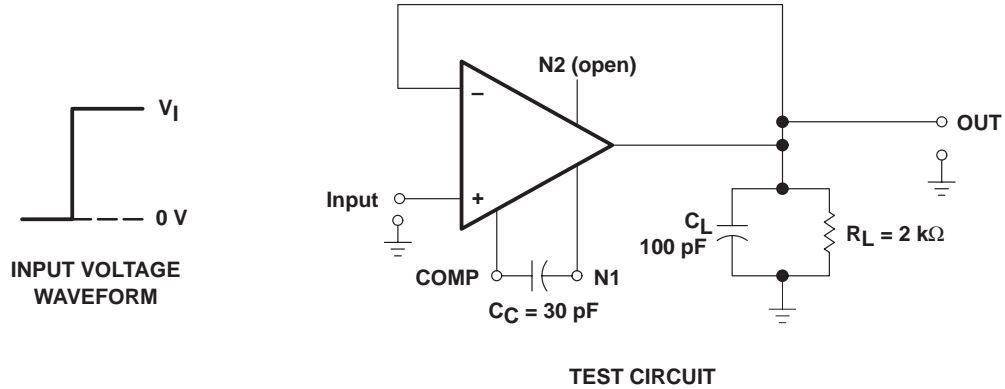


Figure 1. Rise Time, Overshoot, and Slew Rate

## TYPICAL CHARACTERISTICS†

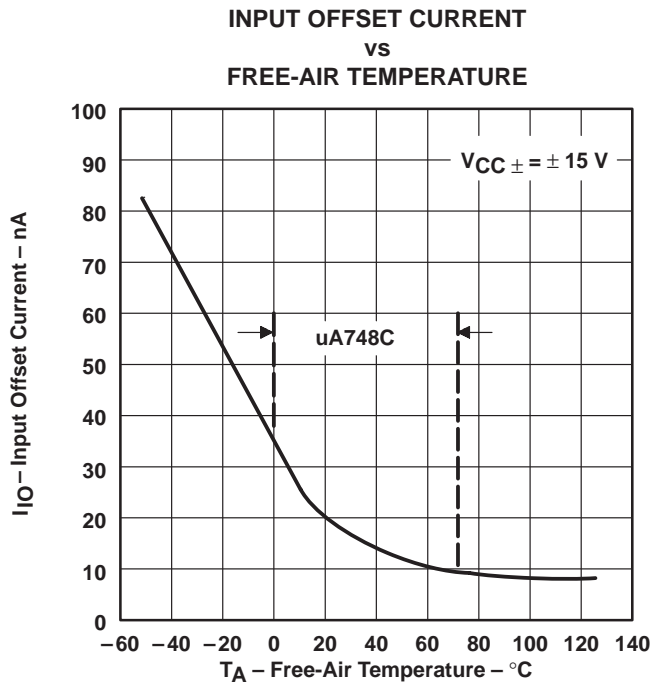


Figure 2

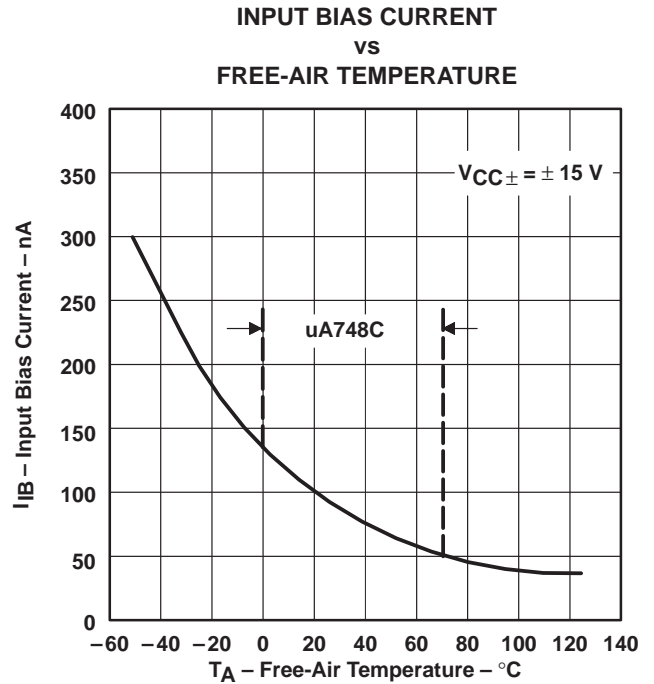


Figure 3

† Data at high and low temperatures are applicable only within the rated operating free-air temperature range of the particular devices.

TYPICAL CHARACTERISTICS

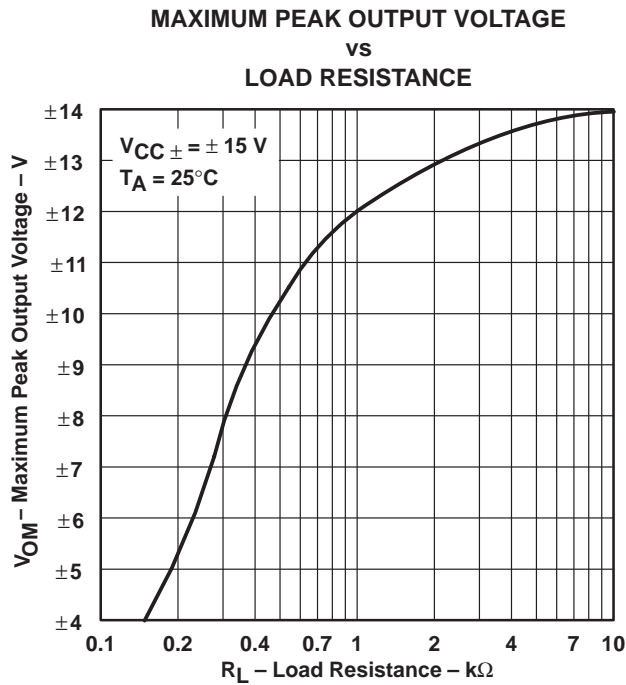


Figure 4

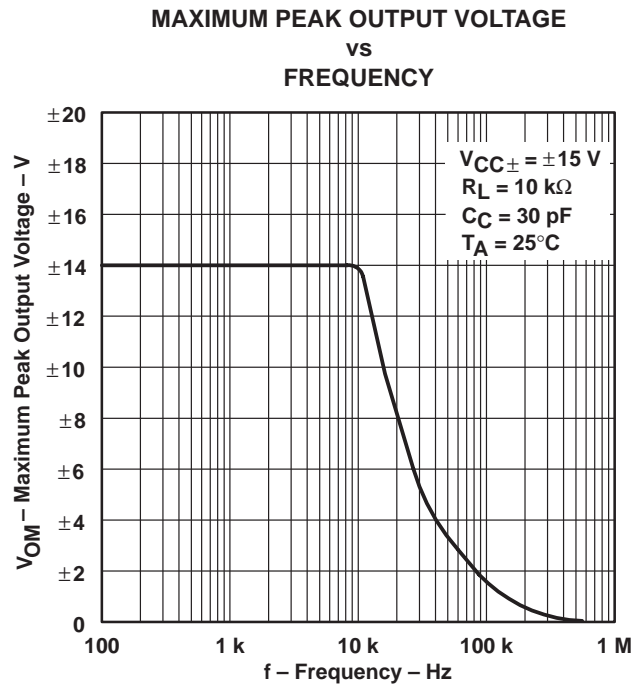


Figure 5

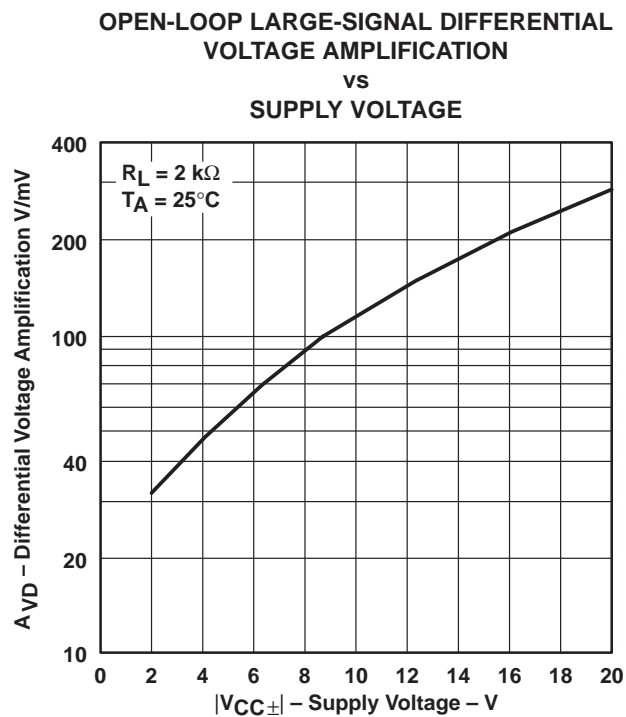


Figure 6

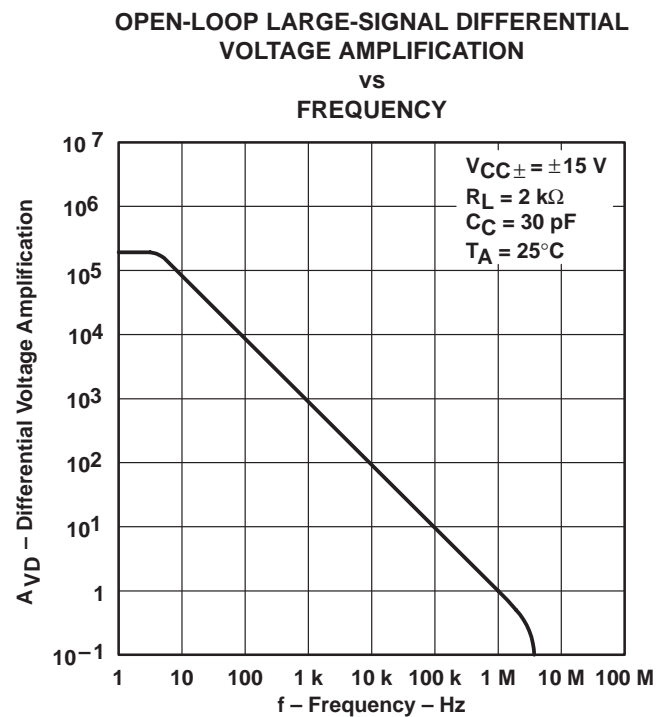


Figure 7

# uA748C, uA748M GENERAL-PURPOSE OPERATIONAL AMPLIFIERS

SLOS095 – D921, DECEMBER 1970 – REVISED OCTOBER 1990

## TYPICAL CHARACTERISTICS

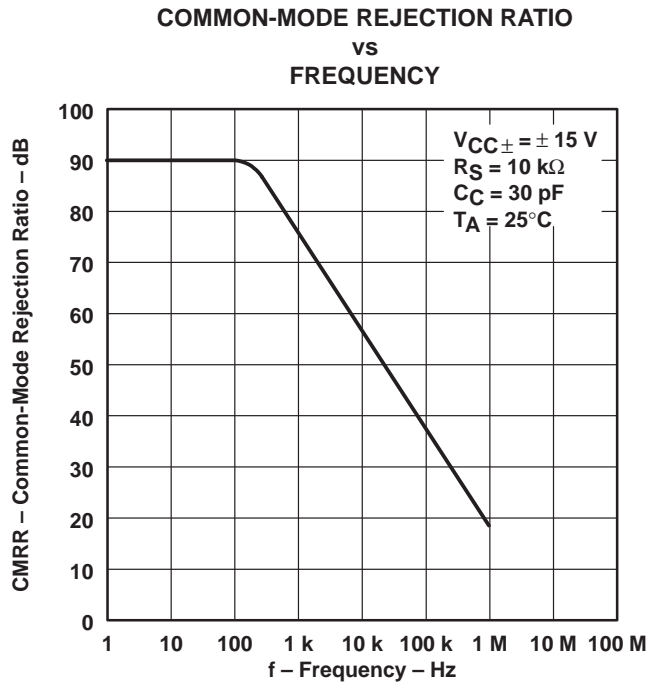


Figure 8

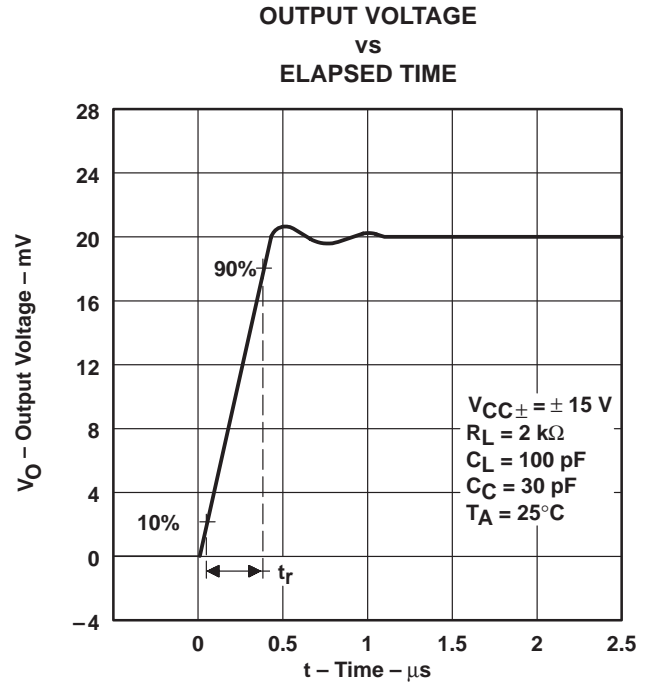


Figure 9

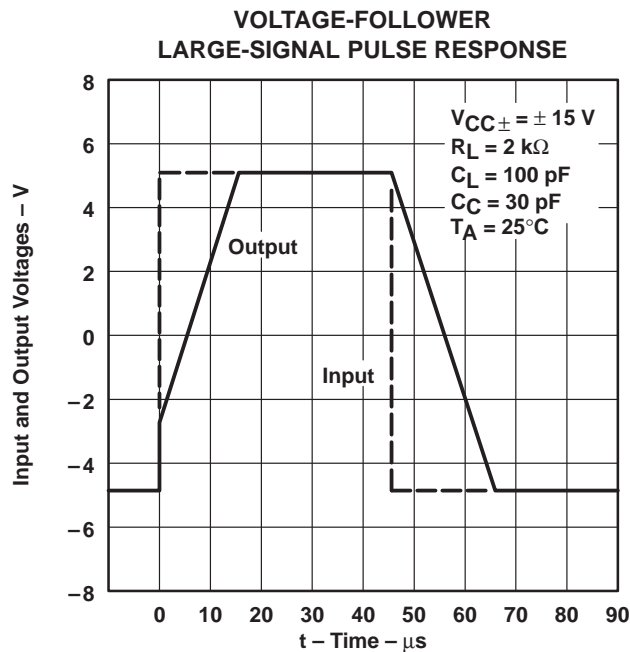


Figure 10

TYPICAL APPLICATION DATA

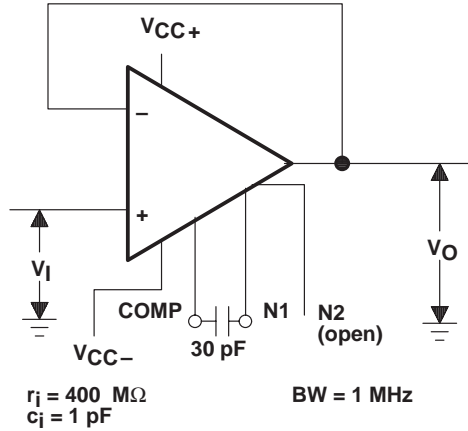
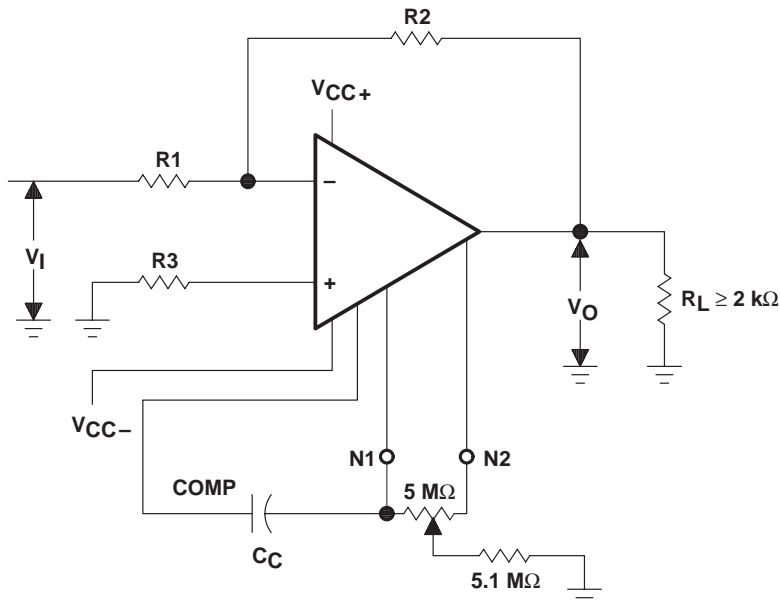


Figure 11. Unity-Gain Voltage Follower



$$\frac{V_O}{V_I} = -\frac{R_2}{R_1}$$

$$C_C \geq \frac{R_1 \cdot 30 \text{ pF}}{R_1 + R_2}$$

$$R_3 = \frac{R_1 \cdot R_2}{R_1 + R_2}$$

Figure 12. Inverting Circuit With Adjustable Gain Compensation and Offset Adjustment

## IMPORTANT NOTICE

Texas Instruments and its subsidiaries (TI) reserve the right to make changes to their products or to discontinue any product or service without notice, and advise customers to obtain the latest version of relevant information to verify, before placing orders, that information being relied on is current and complete. All products are sold subject to the terms and conditions of sale supplied at the time of order acknowledgement, including those pertaining to warranty, patent infringement, and limitation of liability.

TI warrants performance of its semiconductor products to the specifications applicable at the time of sale in accordance with TI's standard warranty. Testing and other quality control techniques are utilized to the extent TI deems necessary to support this warranty. Specific testing of all parameters of each device is not necessarily performed, except those mandated by government requirements.

CERTAIN APPLICATIONS USING SEMICONDUCTOR PRODUCTS MAY INVOLVE POTENTIAL RISKS OF DEATH, PERSONAL INJURY, OR SEVERE PROPERTY OR ENVIRONMENTAL DAMAGE ("CRITICAL APPLICATIONS"). TI SEMICONDUCTOR PRODUCTS ARE NOT DESIGNED, AUTHORIZED, OR WARRANTED TO BE SUITABLE FOR USE IN LIFE-SUPPORT DEVICES OR SYSTEMS OR OTHER CRITICAL APPLICATIONS. INCLUSION OF TI PRODUCTS IN SUCH APPLICATIONS IS UNDERSTOOD TO BE FULLY AT THE CUSTOMER'S RISK.

In order to minimize risks associated with the customer's applications, adequate design and operating safeguards must be provided by the customer to minimize inherent or procedural hazards.

TI assumes no liability for applications assistance or customer product design. TI does not warrant or represent that any license, either express or implied, is granted under any patent right, copyright, mask work right, or other intellectual property right of TI covering or relating to any combination, machine, or process in which such semiconductor products or services might be or are used. TI's publication of information regarding any third party's products or services does not constitute TI's approval, warranty or endorsement thereof.





## Стандарт Электрон Связь

Мы молодая и активно развивающаяся компания в области поставок электронных компонентов. Мы поставляем электронные компоненты отечественного и импортного производства напрямую от производителей и с крупнейших складов мира.

Благодаря сотрудничеству с мировыми поставщиками мы осуществляем комплексные и плановые поставки широчайшего спектра электронных компонентов.

Собственная эффективная логистика и склад в обеспечивает надежную поставку продукции в точно указанные сроки по всей России.

Мы осуществляем техническую поддержку нашим клиентам и предпродажную проверку качества продукции. На все поставляемые продукты мы предоставляем гарантию .

Осуществляем поставки продукции под контролем ВП МО РФ на предприятия военно-промышленного комплекса России , а также работаем в рамках 275 ФЗ с открытием отдельных счетов в уполномоченном банке. Система менеджмента качества компании соответствует требованиям ГОСТ ISO 9001.

Минимальные сроки поставки, гибкие цены, неограниченный ассортимент и индивидуальный подход к клиентам являются основой для выстраивания долгосрочного и эффективного сотрудничества с предприятиями радиоэлектронной промышленности, предприятиями ВПК и научно-исследовательскими институтами России.

С нами вы становитесь еще успешнее!

### Наши контакты:

**Телефон:** +7 812 627 14 35

**Электронная почта:** [sales@st-electron.ru](mailto:sales@st-electron.ru)

**Адрес:** 198099, Санкт-Петербург,  
Промышленная ул, дом № 19, литера Н,  
помещение 100-Н Офис 331