

Features

- Operates DC - 4 GHz on Single Supply
- ASIC TTL / CMOS Driver
- Leadless 4 x 7 mm Chip Scale Plastic Package
- Low DC Power Consumption
- 50 Ohm Nominal Impedance
- Test Boards are Available
- Tape and Reel are Available
- Lead-Free CSP-2 Package
- 100% Matte Tin Plating over Copper
- Halogen-Free "Green" Mold Compound
- 260°C Reflow Compatible
- RoHS* Compliant Version of SW90-0004A

Description

M/A-COM's MASWCC0006 is a SP6T absorptive pHEMT switch with integral TTL driver. This device is in an MLP plastic surface mount package. This switch offers excellent broadband performance and repeatability from DC to 4 GHz, while maintaining low DC power dissipation. The MASWCC0006 is ideally suited for wireless infrastructure applications.

Pin Configuration^{1,2,3,4}

| Pin No. | Function | Pin No. | Function |
|---------|-----------------|---------|-----------------|
| 1 | CP2 | 19 | GND |
| 2 | V _{EE} | 20 | NC |
| 3 | NC | 21 | GND |
| 4 | C6 | 22 | RFC |
| 5 | C5 | 23 | GND |
| 6 | C4 | 24 | GND |
| 7 | C3 | 25 | RF4 |
| 8 | C2 | 26 | GND |
| 9 | C1 | 27 | RF5 |
| 10 | NC | 28 | GND |
| 11 | GND | 29 | RF6 |
| 12 | NC | 30 | GND |
| 13 | GND | 31 | NC |
| 14 | RF1 | 32 | V _{EE} |
| 15 | GND | 33 | V _{CC} |
| 16 | RF2 | 34 | NC |
| 17 | GND | 35 | V _{CC} |
| 18 | RF3 | 36 | CP1 |

Ordering Information

| Part Number | Package |
|---------------|-------------------|
| MASWCC0006 | Bulk Packaging |
| MASWCC0006TR | 1000 piece reel |
| MASWCC0006-TB | Sample Test Board |

Note: Reference Application Note M513 for reel size information.

1. NC = No Connection
2. For single supply operation V_{EE} is internally generated and must remain isolated from external power supplies. Generated noise is typical of switching DC-DC Converters. Connections and external components shown in functional schematic are required. 0.1µF Capacitors need to be located near pins 32 & 33.
3. The exposed pad centered on the package bottom must be connected to RF and DC ground. (For MLF Packages)

* Restrictions on Hazardous Substances, European Union Directive 2002/95/EC.

GaAs SP6T Switch, Absorptive, Single Supply DC - 4.0 GHz

Rev. V4

Electrical Specifications: $T_A = 25^\circ\text{C}$

| Parameter | Test Conditions | Frequency | Units | Min. | Typ. | Max. |
|---|--|---------------|--------------------|------|------|-------|
| Insertion Loss | RFC-RF1, 2, 3, 4, 5, 6 | DC - 3.0 GHz | dB | — | — | 2.1 |
| | | 3.0 - 4.0 GHz | dB | — | — | 2.4 |
| Isolation | — | DC - 4.0 GHz | dB | 25 | — | — |
| VSWR | On (RFC, RF1-RF6) Logic per Truth Table Off (RF1-RF6) Logic per Truth Table | DC - 4.0 GHz | Ratio | — | — | 2.0:1 |
| | | DC - 4.0 GHz | Ratio | — | — | 2.0:1 |
| 1 dB Compression | — — | 50 MHz | dBm | — | 15 | — |
| | | 0.5 - 4.0 GHz | dBm | — | 27 | — |
| Input IP_3 | Two-tone inputs up to +5 dBm | 50 MHz | dBm | — | 30 | — |
| | | 0.5-4.0 GHz | dBm | — | 40 | — |
| Switching Speed | Ton (50% Control to 90% RF) | — | ns | — | 20 | — |
| | Toff (50% Control to 10% RF) | — | ns | — | 15 | — |
| | Trise (10% to 90% RF) | — | ns | — | 5 | — |
| | Tfall (90% to 10% RF) | — | ns | — | 2 | — |
| V_{CC} | — | — | V | 4.5 | 5.0 | 5.5 |
| V_{IL} V_{IH} | LOW-level input voltage | — | V | 0.0 | — | 0.8 |
| | HIGH-level input voltage | — | V | 2.0 | — | 5.0 |
| I_{in} (Input Leakage Current) | $V_{in} = V_{CC}$ or GND | — | μA | -1.0 | — | 1.0 |
| $I_{CC}^{5,7}$ | V_{CC} min to max, Logic "0" or "1" | — | mA | — | 5 | 8 |
| I_{CC}^8 (Quiescent Supply Current) | $V_{cntrl} = V_{CC}$ or GND | — | μA | — | 250 | 400 |
| Turn-on Current ⁶ | For guaranteed start-up | — | mA | — | — | 125 |
| ΔI_{CC} (Additional Supply Current Per TTL Input Pin) | $V_{CC} = \text{Max}$, $V_{cntrl} = V_{CC} - 2.1\text{ V}$ | — | mA | — | — | 1.0 |
| Switching Noise | Generated from DC-DC Converter with recommended capacitors | 3.5 MHz | dBm | — | -93 | — |
| Thermal Resistance θ_{jc} | — | — | $^\circ\text{C/W}$ | — | 15 | — |

- During turn-on, the device requires an initial start up current (I_{CC}) specified as "Turn-on Current". Once operational, I_{CC} will drop to the specified levels. This is not applicable to dual supply operation.
- The DC-DC converter is guaranteed to start in 100 μs as long as the power supplies have the maximum turn-on current available for start-up.
- For single supply operation
- For dual supply operation

Truth Table (Switch)

| Control Inputs "0" is TTL Low, "1" is TTL High | | | | | | Condition of Switch RF Common to Each RF Port | | | | | |
|---|----|----|----|----|----|--|-----|-----|-----|-----|-----|
| C1 | C2 | C3 | C4 | C5 | C6 | RF1 | RF2 | RF3 | RF4 | RF5 | RF6 |
| 1 | 0 | 0 | 0 | 0 | 0 | On | Off | Off | Off | Off | Off |
| 0 | 1 | 0 | 0 | 0 | 0 | Off | On | Off | Off | Off | Off |
| 0 | 0 | 1 | 0 | 0 | 0 | Off | Off | On | Off | Off | Off |
| 0 | 0 | 0 | 1 | 0 | 0 | Off | Off | Off | On | Off | Off |
| 0 | 0 | 0 | 0 | 1 | 0 | Off | Off | Off | Off | On | Off |
| 0 | 0 | 0 | 0 | 0 | 1 | Off | Off | Off | Off | Off | On |

2

ADVANCED: Data Sheets contain information regarding a product M/A-COM Technology Solutions is considering for development. Performance is based on target specifications, simulated results, and/or prototype measurements. Commitment to develop is not guaranteed.
PRELIMINARY: Data Sheets contain information regarding a product M/A-COM Technology Solutions has under development. Performance is based on engineering tests. Specifications are typical. Mechanical outline has been fixed. Engineering samples and/or test data may be available. Commitment to produce in volume is not guaranteed.

• **North America** Tel: 800.366.2266 • **Europe** Tel: +353.21.244.6400
 • **India** Tel: +91.80.4155721 • **China** Tel: +86.21.2407.1588
 Visit www.macomtech.com for additional data sheets and product information.

M/A-COM Technology Solutions Inc. and its affiliates reserve the right to make changes to the product(s) or information contained herein without notice.

Absolute Maximum Ratings ^{9,10}

| Parameter | Absolute Maximum |
|---|---|
| Max. Input Power 0.05 GHz 0.5 - 4.0 GHz ¹¹ | +27 dBm +34 dBm |
| V_{CC} ⁷ | $-0.5V \leq V_{CC} \leq +6.0V$ |
| V_{CC} ⁸ | $-0.5V \leq V_{CC} \leq +7.0V$ |
| V_{EE} ⁸ | $-8.5V \leq V_{EE} \leq +0.5V$ |
| $V_{CC} - V_{EE}$ ⁸ | $-0.5V \leq V_{CC} - V_{EE} \leq 14.5V$ |
| V_{in} ¹² | $-0.5V \leq V_{in} \leq V_{CC} + 0.5V$ |
| Operating Temperature | $-40^{\circ}C$ to $+85^{\circ}C$ |
| Storage Temperature | $-65^{\circ}C$ to $+125^{\circ}C$ |

9. Exceeding any one or combination of these limits may cause permanent damage to this device.
10. M/A-COM does not recommend sustained operation near these survivability limits.
11. When the RF input is applied to the terminated port, the absolute maximum power is +30 dBm.
12. Standard CMOS TTL interface, latch-up will occur if logic signal is applied prior to power supply.

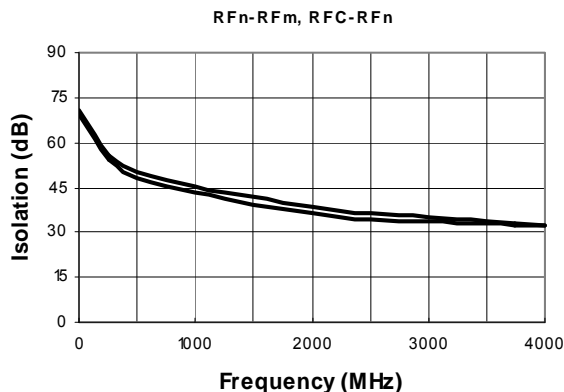
Handling Procedures

Please observe the following precautions to avoid damage:

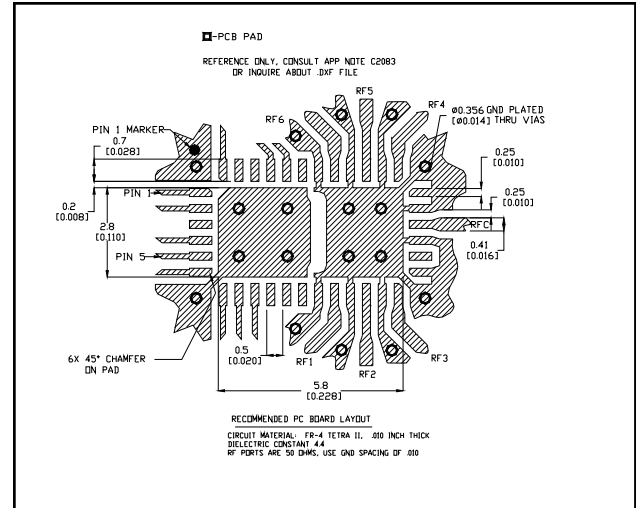
Static Sensitivity

Gallium Arsenide Integrated Circuits are sensitive to electrostatic discharge (ESD) and can be damaged by static electricity. Proper ESD control techniques should be used when handling these devices.

Isolation (dB) vs. Frequency

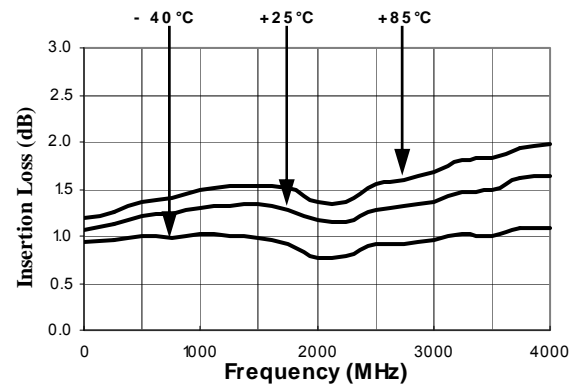


Recommended PCB Configuration

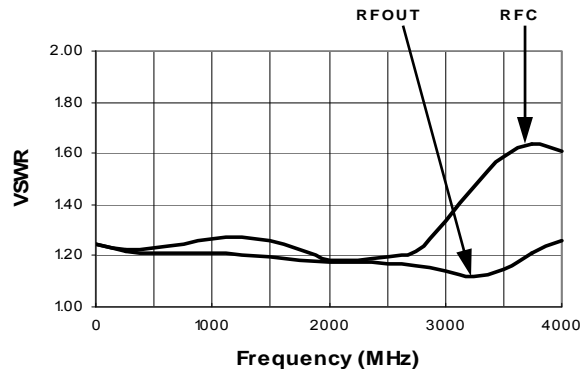


Typical Performance Curves

Insertion Loss vs. Frequency

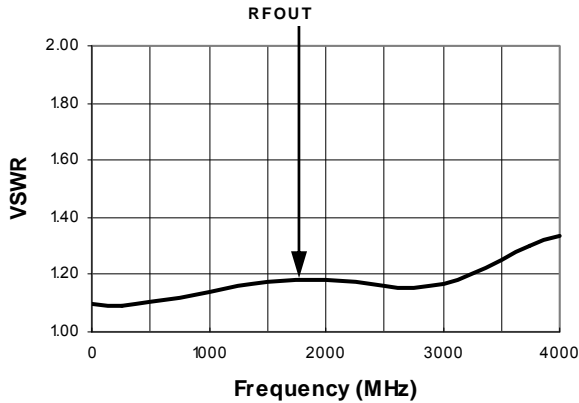


On VSWR vs. Frequency

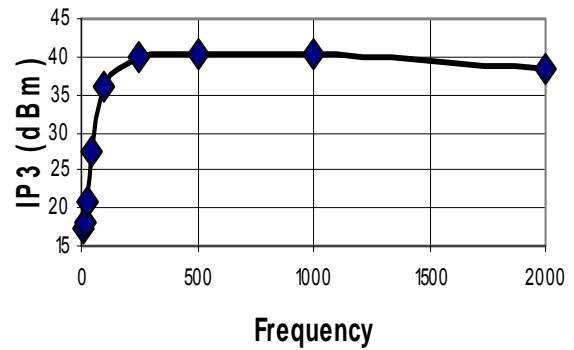


Typical Performance Curves

VSWR (Terminations) vs. Frequency



IP3 Results ¹¹

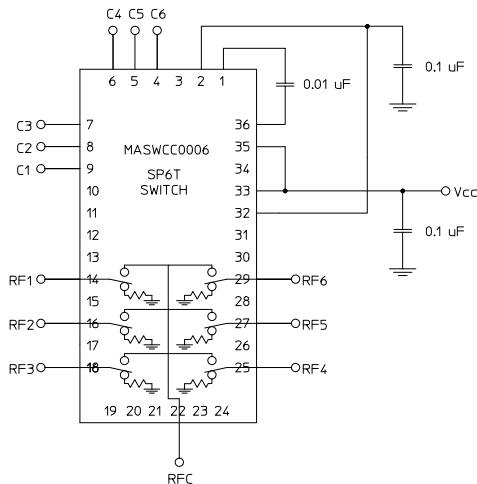


11. All testing done with the second tone 5 MHz above the frequency on the plot, except for the 10 MHz point, where the second tone is at 11 MHz. Both tones are +5 dBm.

Functional Schematic

Single Supply Operation

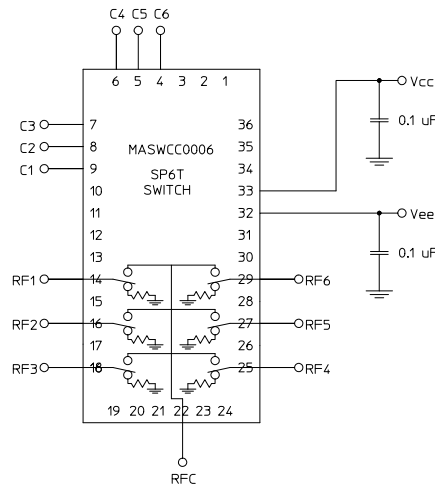
V_{CC} = +5V



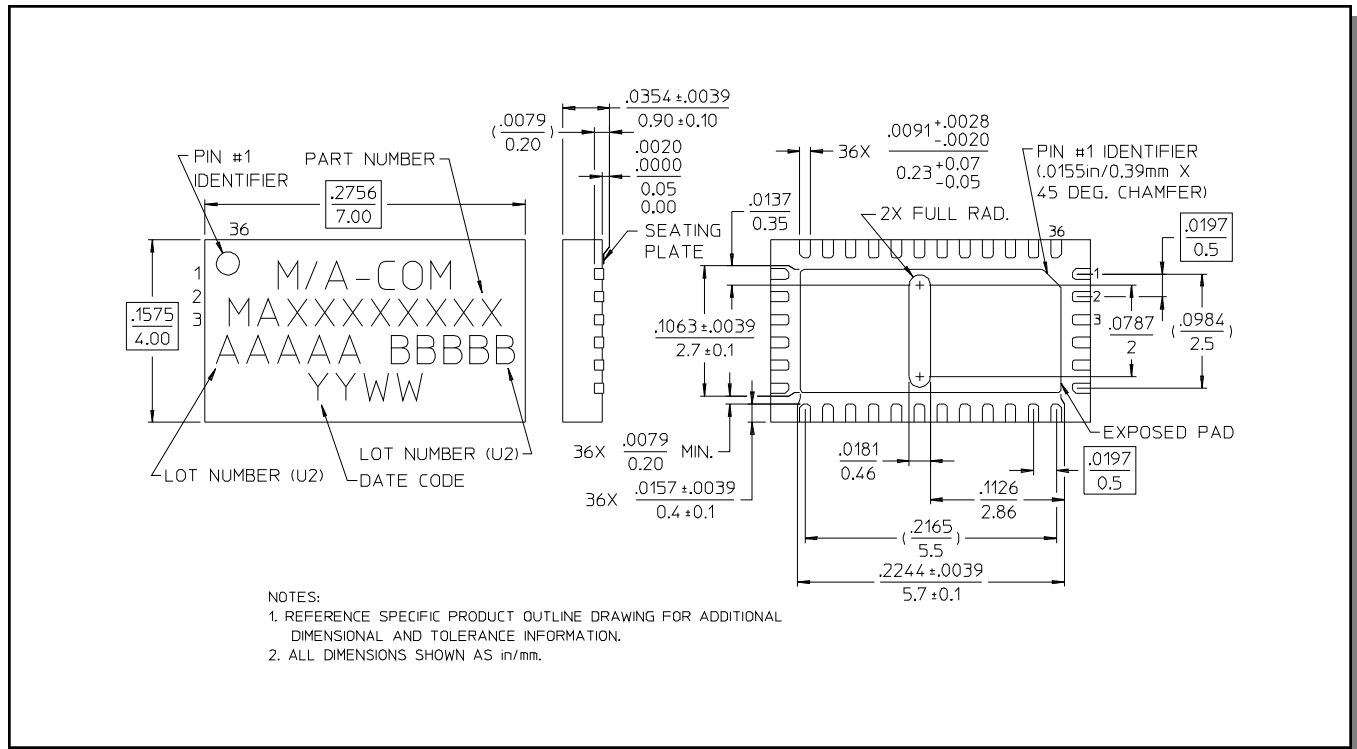
Dual Supply Operation

V_{CC} = +5V

V_{EE} = -5V to -8V



**CSP-2, Lead-Free 4 x 7 mm, 36-lead
PQFN†**



† Reference Application Note M538 for lead-free solder reflow recommendations.



Стандарт Электрон Связь

Мы молодая и активно развивающаяся компания в области поставок электронных компонентов. Мы поставляем электронные компоненты отечественного и импортного производства напрямую от производителей и с крупнейших складов мира.

Благодаря сотрудничеству с мировыми поставщиками мы осуществляем комплексные и плановые поставки широчайшего спектра электронных компонентов.

Собственная эффективная логистика и склад в обеспечивает надежную поставку продукции в точно указанные сроки по всей России.

Мы осуществляем техническую поддержку нашим клиентам и предпродажную проверку качества продукции. На все поставляемые продукты мы предоставляем гарантию .

Осуществляем поставки продукции под контролем ВП МО РФ на предприятия военно-промышленного комплекса России , а также работаем в рамках 275 ФЗ с открытием отдельных счетов в уполномоченном банке. Система менеджмента качества компании соответствует требованиям ГОСТ ISO 9001.

Минимальные сроки поставки, гибкие цены, неограниченный ассортимент и индивидуальный подход к клиентам являются основой для выстраивания долгосрочного и эффективного сотрудничества с предприятиями радиоэлектронной промышленности, предприятиями ВПК и научно-исследовательскими институтами России.

С нами вы становитесь еще успешнее!

Наши контакты:

Телефон: +7 812 627 14 35

Электронная почта: sales@st-electron.ru

Адрес: 198099, Санкт-Петербург,
Промышленная ул, дом № 19, литера Н,
помещение 100-Н Офис 331