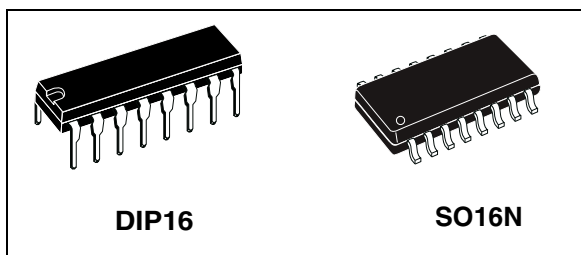


High voltage resonant controller

Features

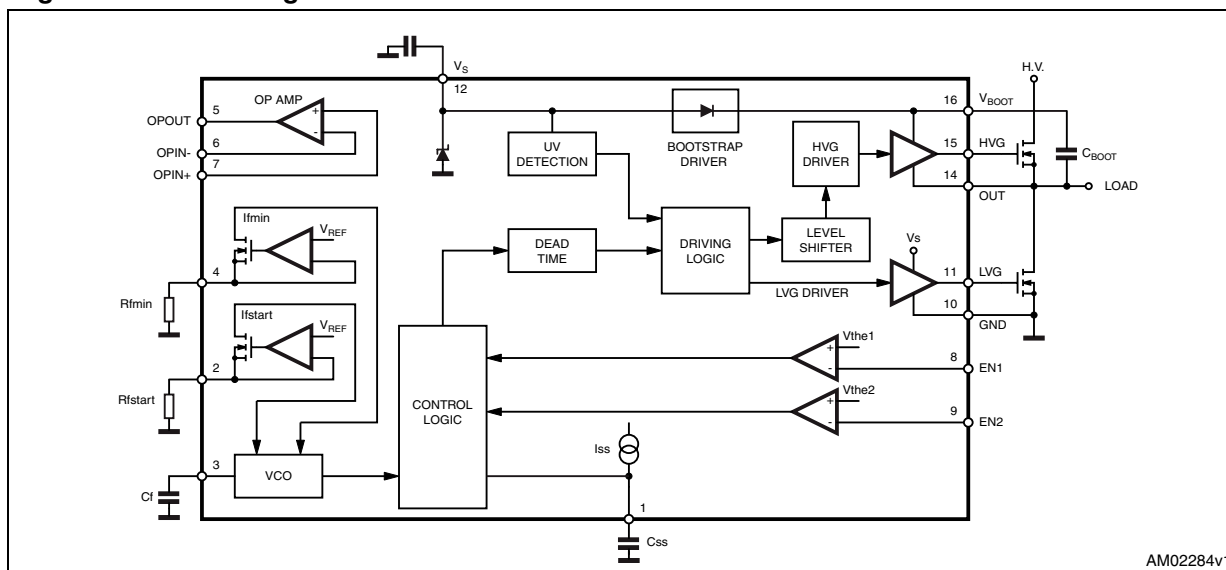
- High voltage rail up to 600 V
- dV/dt immunity ± 50 V/ns in full temperature range
- Driver current capability: 250 mA source
450 mA sink
- Switching times 80/40 ns rise/fall with 1 nF load
- CMOS shutdown input
- Undervoltage lock-out
- Soft-start frequency shifting timing
- Sense op amp for closed loop control or protection features
- High accuracy current controlled oscillator
- Integrated bootstrap diode
- Clamping on V_s
- SO16, DIP16 packages



Description

The device is manufactured with the BCD OFF LINE technology, able to ensure voltage ratings up to 600 V, making it perfectly suited for AC/DC Adapters and wherever a resonant topology can be beneficial. The device is intended to drive two power MOSFET, in the classical half bridge topology. A dedicated timing section allows the designer to set soft start time, soft start and minimum frequency. An error amplifier, together with the two enable inputs, are made available. In addition, the integrated bootstrap diode and the zener clamping on low voltage supply, reduces to a minimum the external parts needed in the applications.

Figure 1. Block diagram



Contents

1	Maximum ratings	3
2	Electrical characteristics	4
3	Pin connections	6
4	Timing diagram	7
5	Block diagram description	9
5.1	High/low side driving section	9
5.2	Timing and oscillator section	9
5.3	Bootstrap section	13
5.4	Op amp section	14
5.5	Comparators	15
6	Package mechanical data	19
7	Ordering codes	22
8	Revision history	23

1 Maximum ratings

Table 1. Absolute maximum ratings

Symbol	Parameter	Value	Unit
IS	Supply current at V_{cl} ⁽¹⁾	25	mA
VLVG	Low side output	14.6	V
VOUT	High side reference	-1 to VBOOT -18	V
VHVG	High side output	-1 to VBOOT	V
VBOOT	Floating supply voltage	618	V
dVBOOT/dt	VBOOT pin slew rate (repetitive)	±50	V/ns
dVOUT/dt	OUT pin slew rate (repetitive)	±50	V/ns
Vir	Forced input voltage (pins Rfmin, Rfstart)	-0.3 to 5	V
Vic	Forced input voltage (pins C _{ss} , Cf)	-0.3 to 5	V
VEN1, VEN2	Enable input voltage	-0.3 to 5	V
IEN1, IEN2	Enable input current	±3	mA
Vopc	Sense op amp common mode range	-0.3 to 5	V
Vopd	Sense op amp differential mode range	-5 to 5	V
Vopo	Sense op amp output voltage (forced)	4.6	V
Tstg	Storage temperature	-40 to +150	°C
Tj	Junction temperature	-40 to +150	°C
Tamb	Ambient temperature	-40 to +125	°C

1. The device is provided of an internal clamping zener between GND and the Vs pin, It must not be supplied by a low impedance voltage source.

Note: ESD immunity for pins 14, 15 and 16 is guaranteed up to 900 (human body model).

Table 2. Thermal data

Symbol	Parameter	SO16N	DIP16	Unit
R _{thJA}	Thermal resistance junction to ambient	120	80	°C/W

Table 3. Recommended operating conditions

Symbol	Parameter	Value	Unit
V _S	Supply voltage	10 to V _{cl}	V
V _{out} ⁽¹⁾	High side reference	-1 to Vboot-V _{cl}	V
V _{boot} ⁽¹⁾	Floating supply rail	500	V
f _{max}	Maximum switching frequency	400	kHz

1. If the condition $V_{boot} - V_{out} < 18$ is guaranteed, V_{out} can range from -3 to 580 V.

2 Electrical characteristics

$V_S = 12\text{ V}$; $V_{\text{BOOT}} - V_{\text{OUT}} = 12\text{ V}$; $T_A = 25\text{ }^\circ\text{C}$

Table 4. Electrical characteristics

Symbol	Pin	Parameter	Test condition	Min.	Typ.	Max.	Unit
Supply voltage							
V_{suvp}	12	V_S turn on threshold		10	10.7	11.4	V
V_{suvn}		V_S turn off threshold		7.3	8	8.7	V
V_{suvh}		Supply voltage under voltage hysteresis			2.7		V
V_{cl}		Supply voltage clamping		14.6	15.6	16.6	V
I_{su}		Start up current	$V_S < V_{\text{suvn}}$			250	μA
I_{q}		Quiescent current, $f_{\text{out}} = 60\text{ kHz}$, no load	$V_S > V_{\text{suvp}}$		2	3	mA
High voltage section							
I_{bootleak}	16	BOOT pin leakage current	$V_{\text{BOOT}} = 580\text{ V}$			5	μA
I_{outleak}	14	OUT pin leakage current	$V_{\text{OUT}} = 562\text{ V}$			5	μA
R_{DSon}	16	Bootstrap driver on resistance		100	150	300	Ω
High/low side drivers							
I_{hvgso}	15	High side driver source current	$V_{\text{HVG}} - V_{\text{OUT}} = 0$	170	250		mA
$I_{\text{hvg si}}$		High side driver sink current	$V_{\text{HVG}} - V_{\text{BOOT}} = 0$	300	450		mA
$I_{\text{lvgs o}}$	11	Low side driver source current	$V_{\text{LVG}} - \text{GND} = 0$	170	250		mA
$I_{\text{lvgs i}}$		Low side driver sink current	$V_{\text{LVG}} - V_S = 0$	300	450		mA
t_{rise}	15, 11	Low/high side output rise time	$C_{\text{load}} = 1\text{ nF}$		80	120	ns
t_{fall}			$C_{\text{load}} = 1\text{ nF}$		40	80	ns
Oscillator							
DC	14	Output duty cycle		48	50	52	%
f_{min}		Minimum output oscillation frequency	$C_f = 470\text{ pF}$; $R_{f\text{min}} = 50\text{ k}\Omega$	58.2	60	61.8	kHz
f_{start}		Soft start output oscillation frequency	$C_f = 470\text{ pF}$; $R_{f\text{min}} = 50\text{ k}\Omega$; $R_{f\text{start}} = 47\text{ k}\Omega$	114	120	126	kHz

Table 4. Electrical characteristics (continued)

Symbol	Pin	Parameter	Test condition	Min.	Typ.	Max.	Unit
V_{ref}	2, 4	Voltage to current converters threshold		1.9	2	2.1	V
t_d	14	Dead time between low and high side conduction		0.2	0.27	0.35	μ s
IVref	2, 4	Reference current		120			μ A
Timing section							
k_{ss}	1	Soft start timing constant	$C_{ss} = 330nF$	0.115	0.15	0.185	s/ μ F
Sense op amp							
I_{IB}	6, 7	Input bias current				0.1	μ A
V_{io}		Input offset voltage		-10		10	mV
R_{out}	5	Output resistance		200		300	?
I_{out-}		Source output current	$V_{out} = 4.5V$	1			mA
I_{out+}		Sink output current	$V_{out} = 0.2V$	1			mA
V_{ic}	6,7	Op amp input common mode range		-0.2		3	V
GBW		Sense op amp gain band width product ⁽¹⁾		0.5	1		MHz
Gdc		DC open loop gain		60	80		dB
Comparators							
V_{the1}	8	Enabling comparator threshold		0.56	0.6	0.64	V
V_{the2}	9	Enabling comparator threshold		1.05	1.2	1.35	V
t_{pulse}	8,9	Minimum pulse length				200	ns

1. Guaranteed by design

3 Pin connections

Figure 2. Pin connections

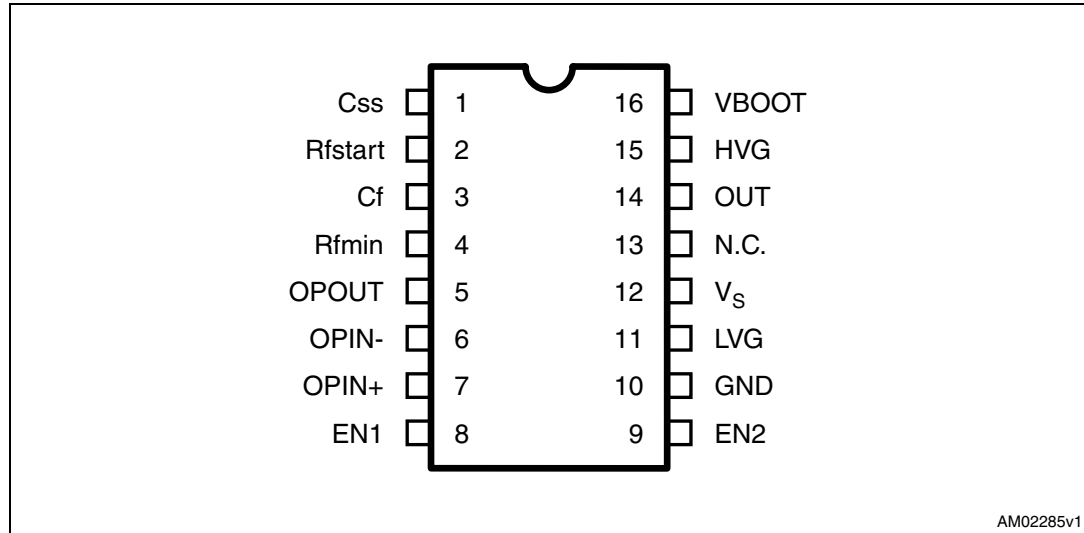
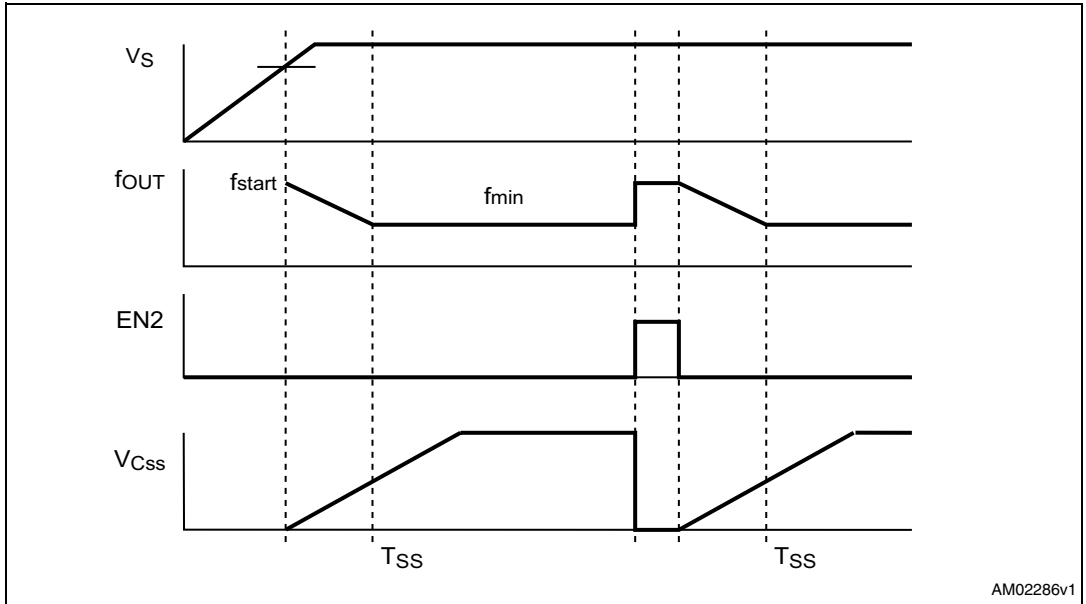


Table 5. Pin description

Pin n°	Name	Function
1	CSS	Soft start timing capacitor
2	R _{fstart}	Soft start frequency setting - low impedance voltage source -see also C _f
3	C _f	Oscillator frequency setting - see also R _{fmin} , R _{fstart}
4	R _{fmin}	Minimum oscillation frequency setting - low impedance voltage source - see also C _f
5	O _{Pout}	Sense op amp output - low impedance
6	O _{Pon-}	Sense op amp inverting input -high impedance
7	O _{Pon+}	Sense op amp non inverting input - high impedance
8	EN1	Half bridge latched enable
9	EN2	Half bridge unlatched enable
10	GND	Ground
11	LVG	Low side driver output
12	V _s	Supply voltage with internal zener clamp
13	N.C.	Not connected
14	OUT	High side driver reference
15	HVG	High side driver output
16	V _{boot}	Bootstrapped supply voltage

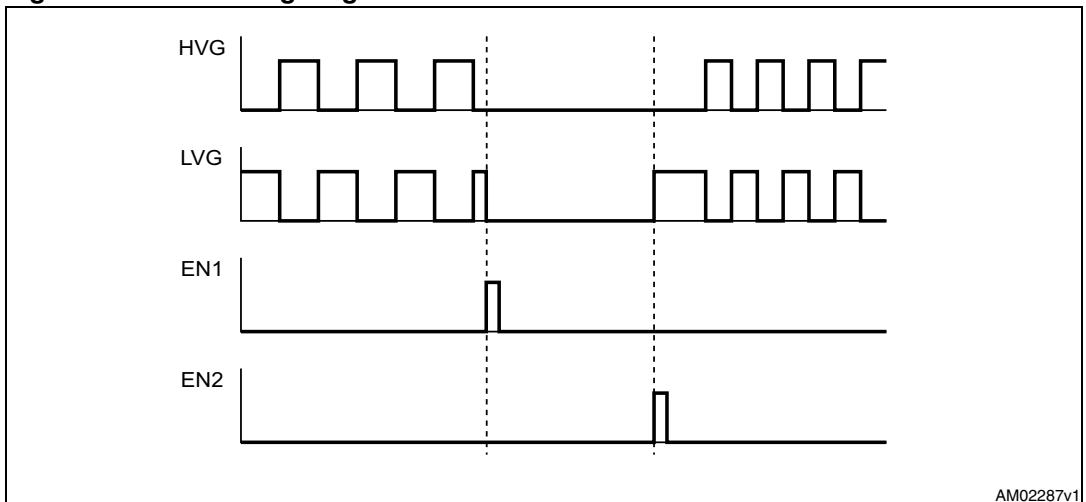
4 Timing diagram

Figure 3. EN2 timing diagrams



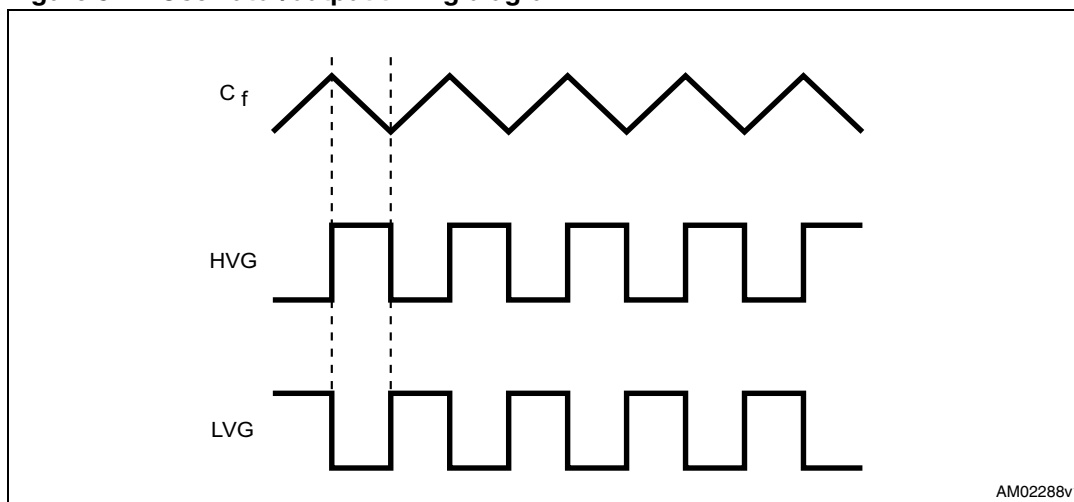
AM02286v1

Figure 4. EN1 timing diagrams



AM02287v1

Figure 5. Oscillator/output timing diagram



5 Block diagram description

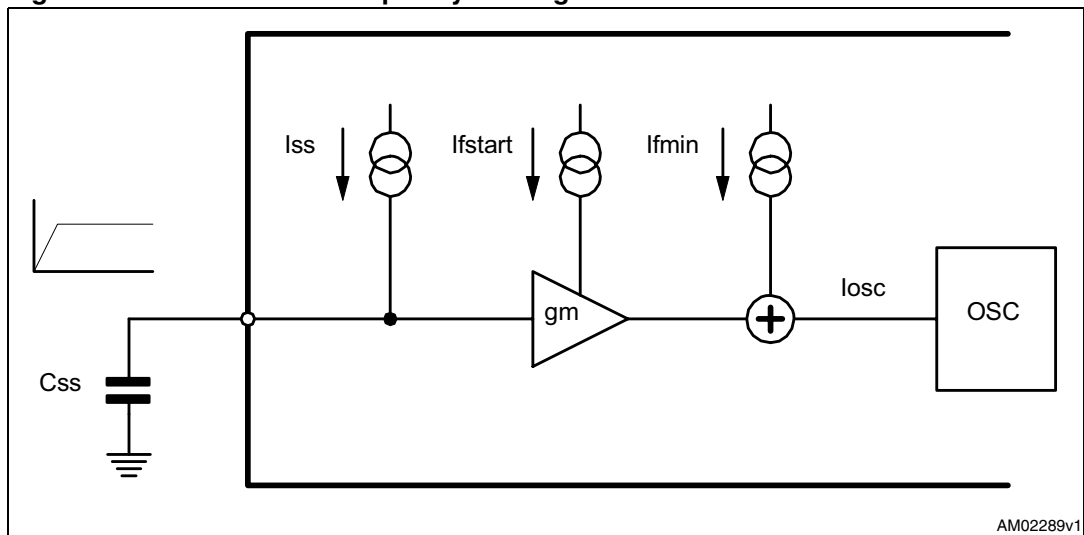
5.1 High/low side driving section

An high and low side driving section provide the proper driving to the external power MOS or IGBT. An high sink/source driving current (450/250 mA typ) ensure fast switching times also when size for power MOS are used. The internal logic ensures a minimum dead time to avoid cross-conduction of the power devices.

5.2 Timing and oscillator section

The device is provided of a soft start function. It consists in a period of time, T_{SS} , in which the switching frequency shifts from f_{start} to f_{min} . This feature is explained in the following description (ref. fig.7 and fig.8).

Figure 6. Soft start and frequency shifting block



During the soft start time the current I_{SS} charges the capacitor C_{SS} , generating a voltage ramp which is delivered to a transconductance amplifier, as shown in fig. 7. Thus this voltage signal is converted in a growing current which is subtracted to I_{fstart} . Therefore the current which drives the oscillator to set the frequency during the soft start is equal to:

Equation 1

$$I_{osc} = I_{fmin} + (I_{fstart} - g_m V_{C_{SS}}(t)) = I_{fmin} + \left(I_{fstart} - \frac{g_m I_{SS}}{C_{SS}} \right)$$

Equation 2

$$\text{where } I_{fmin} = \frac{V_{REF}}{R_{fmin}}, I_{fstart} = \frac{V_{REF}}{R_{fstart}}, V_{REF} = 2V$$

At the start-up ($t = 0$) the oscillator frequency is set by:

Equation 3

$$I_{OSC}(0) = I_{fmin} + I_{fstart} = V_{REF} \left(\frac{1}{R_{fmin}} + \frac{1}{R_{fstart}} \right)$$

At the end of soft start ($t = T_{SS}$) the second term of eq.1 decreases to zero and the switching frequency is set only by I_{min} (i.e. R_{fmin}):

Equation 4

$$I_{OSC}(T_{SS}) = I_{fmin} = \frac{V_{REF}}{R_{fmin}}$$

Since the second term of eq.1 is equal to zero, we have:

Equation 5

$$I_{fstart} - \frac{g_m I_{SS}}{C_{SS}} T_{SS} = 0 \rightarrow T_{SS} = \frac{C_{SS} I_{fstart}}{g_m I_{SS}}$$

Note that there is not a fixed threshold of the voltage across C_{SS} in which the soft start finishes (i.e. the end of the frequency shifting), and T_{SS} depends on C_{SS} , I_{fstart} , g_m , and I_{SS} (eq. 5). Making T_{SS} independent of I_{fstart} , the I_{SS} current has been designed to be a fraction of I_{fstart} , so:

Equation 6

$$I_{SS} = \frac{I_{fstart}}{K} \rightarrow T_{SS} = \frac{C_{SS} I_{fstart}}{g_m I_{fstart} K} \rightarrow T_{SS} = \frac{C_{SS}}{g_m K} \rightarrow T_{SS} = k_{SS} C_{SS}$$

In this way the soft start time depends only on the capacitor C_{SS} . The typical value of the k_{SS} constant (Soft start timing constant) is 0.15 s/ μ F.

The current I_{OSC} is fed to the oscillator as shown in fig. 7. It is twice mirrored (x4 and x8) generating the triangular wave on the oscillator capacitor C_f . Referring to the internal structure of the oscillator (fig.7), a good relationship to compute an approximate value of the oscillator frequency in normal operation is:

Equation 7

$$f_{min} = \frac{1.41}{R_{fmin} C_f}$$

The degree of approximation depends on the frequency value, but it remains very good in the range from 30 kHz to 100 kHz (figg.9-13)

Figure 7. Oscillator block

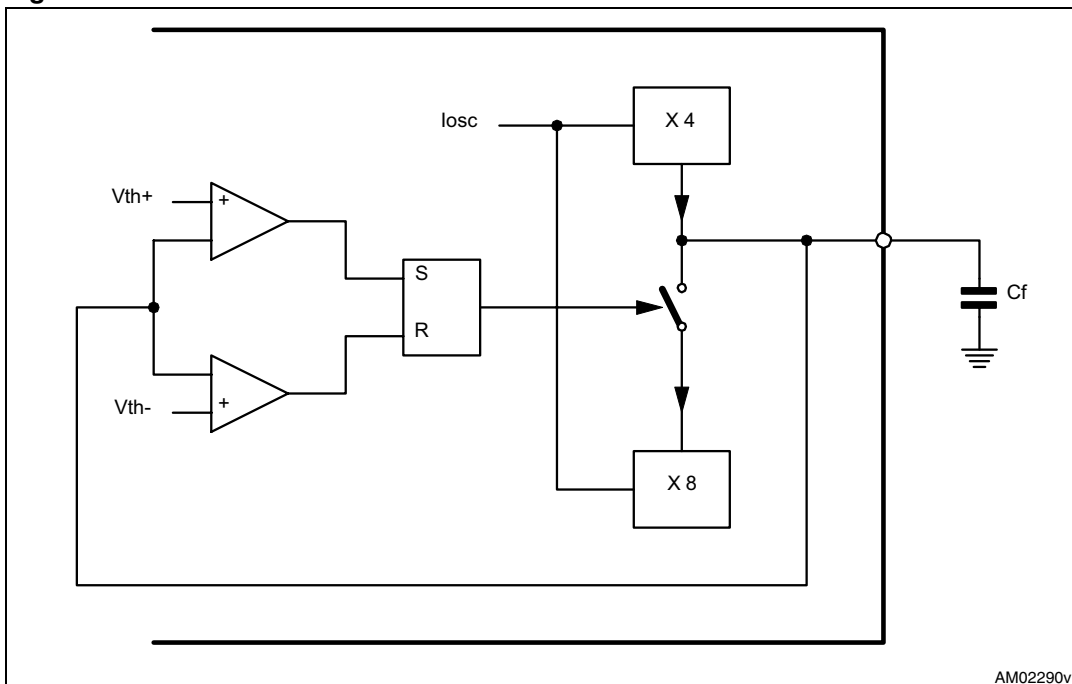


Figure 8. Typ. f_{min} vs. R_{fmin} @ $C_f = 470 \text{ pF}$

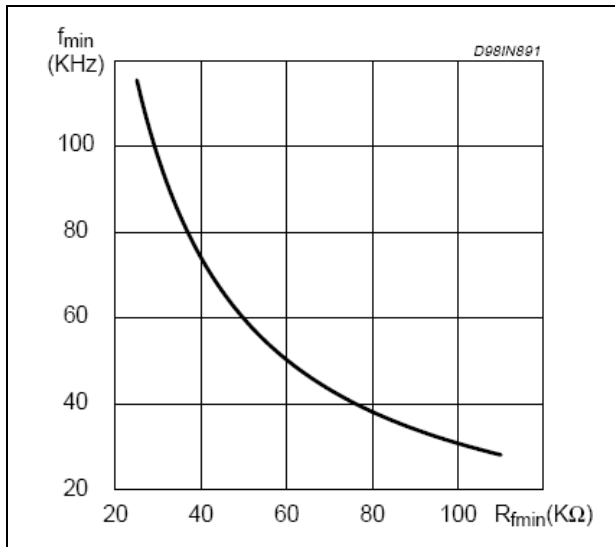


Figure 9. Typ. $(f_{start}-f_{min})$ vs. R_{fstar} @ $C_f = 470 \text{ pF}$

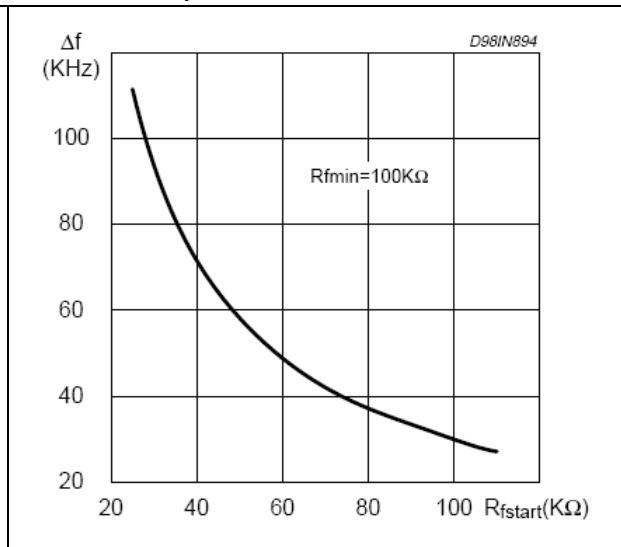


Figure 10. Typ. $(f_{start}-f_{min})$ vs. R_{fstar} @ $C_f = 470 \text{ pF}$

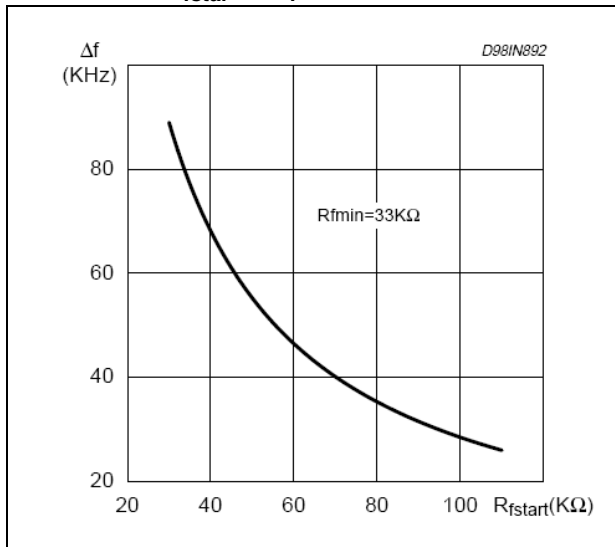


Figure 11. f_{min} @ different R_f vs C_f

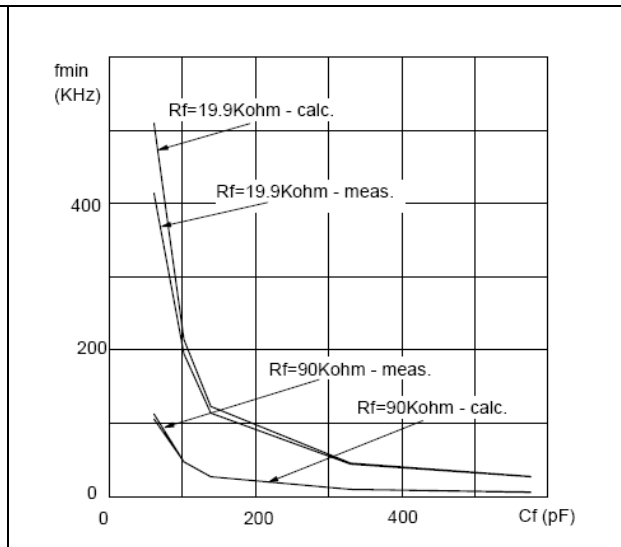
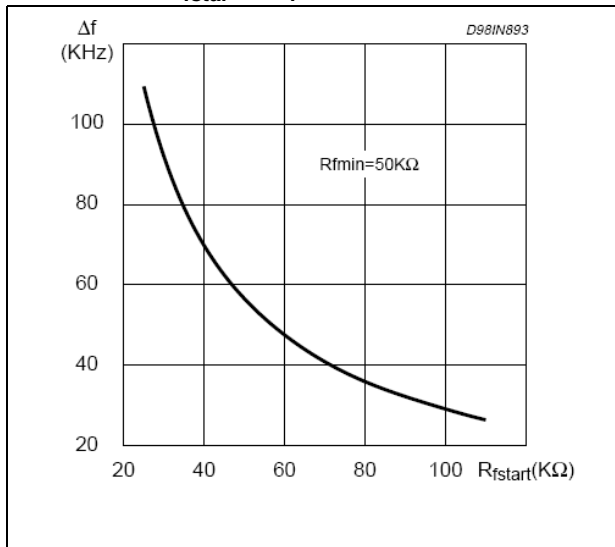


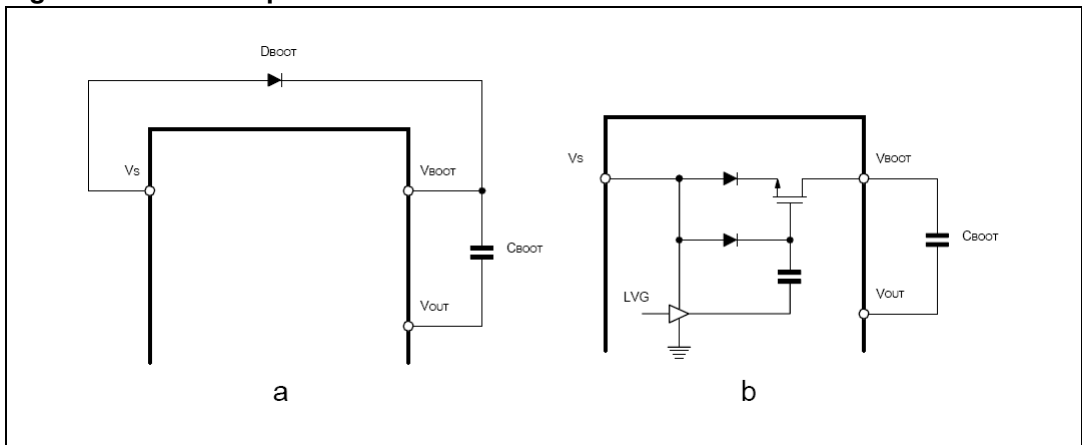
Figure 12. Typ. ($f_{start}-f_{min}$) vs. R_{fstar} @ $C_f = 470$ pF



5.3 Bootstrap section

The supply of the high voltage section is obtained by means of a bootstrap circuitry. This solution normally requires an high voltage fast recovery diode for charging the bootstrap capacitor (fig. 14a). In the device a patented integrated structure, replaces this external diode. It is released by means of a high voltage DMOS, driven synchronously with the low side driver (LVG), with in series a diode, as shown in fig. 14b.

Figure 13. Bootstrap driver



To drive the synchronized DMOS it is necessary a voltage higher than the supply voltage V_s . This voltage is obtained by means of an internal charge pump (fig. 14b).

The diode connected in series to the DMOS has been added to avoid undesirable turn on of it. The introduction of the diode prevents any current can flow from the V_{boot} pin to the V_S one in case that the supply is quickly turned off when the internal capacitor of the pump is not fully discharged.

The bootstrap driver introduces a voltage drop during the recharging of the capacitor C_{boot} (i.e. when the low side driver is on), which increases with the frequency and with the size of the external power MOS. It is the sum of the drop across the R_{DSON} and of the diode threshold voltage. At low frequency this drop is very small and can be neglected. Anyway increasing the frequency it must be taken in to account. In fact the drop, reducing the amplitude of the driving signal, can significantly increase the R_{DSON} of the external power MOS (and so the dissipation).

To be considered that in resonant power supplies the current which flows in the power MOS decreases increasing the switching frequency and generally the increases of R_{DSON} is not a problem because power dissipation is negligible. The following equation is useful to compute the drop on the bootstrap driver:

Equation 8

$$V_{drop} = I_{charge} R_{dson} + V_{diode} \rightarrow V_{drop} = \frac{Q_g}{T_{charge}} R_{dson} + V_{diode}$$

where Q_g is the gate charge of the external power MOS, R_{dson} is the on resistance of the bootstrap DMOS, and T_{charge} is the time in which the bootstrap driver remains on (about the semi-period of the switching frequency minus the dead time). The typical resistance value of the bootstrap DMOS is 150Ω . For example using a power MOS with a total gate charge of 30 nC the drop on the bootstrap driver is about 3 V , at a switching frequency of 200 kHz . In fact:

Equation 9

$$V_{drop} = \frac{30 \text{ nC}}{2.23 \mu\text{s}} 150 \Omega + 0.6 \text{ V} \sim 2.6 \text{ V}$$

To summaries, if a significant drop on the bootstrap driver (at high switching frequency when large power MOS are used) represents a problem, an external diode can be used, avoiding the drop on the R_{DSON} of the DMOS.

5.4 Op amp section

The integrated op amp is designed to offer low output impedance, wide band, high input impedance and wide common mode range. It can be readily used to implement protection features or a closed loop control. For this purpose the op amp output can be properly connected to R_{fmin} pin to adjust the oscillation frequency.

5.5 Comparators

Two CMOS comparators are available to perform protection schemes.

Short pulses (≥ 200 ns) on comparators input are recognized. The EN1 input (active high), has a threshold of 0.6 V (typical value) forces the device in a latched shut down state (e.g. LVG low, HVG low, oscillator stopped), as in the under voltage conditions. Normal operating conditions are resumed after a power-off power-on sequence. The EN2 input (active high), with a threshold of 1.2 V (typical value) restarts a Soft Start sequence (see timing diagrams). In addition the EN2 comparator, when activated, removes a latched shutdown caused by EN1.

Figure 14. Switching time waveform definitions

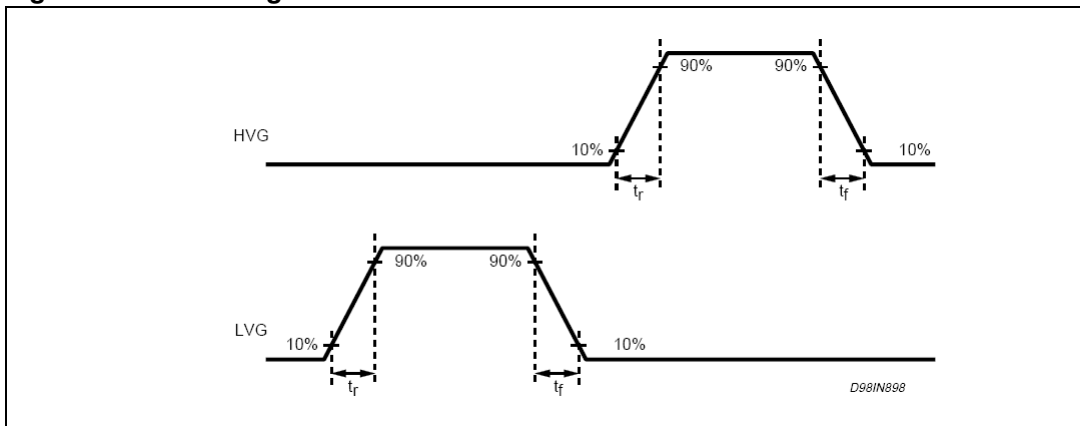


Figure 15. Dead time and duty cycle waveform definition

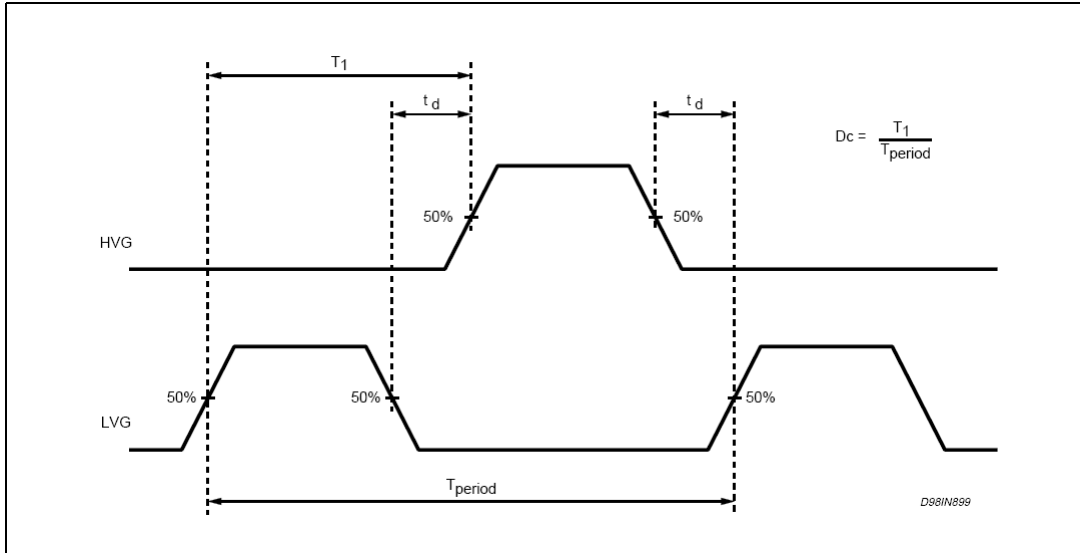


Figure 16. Typ. f_{min} vs. temperature

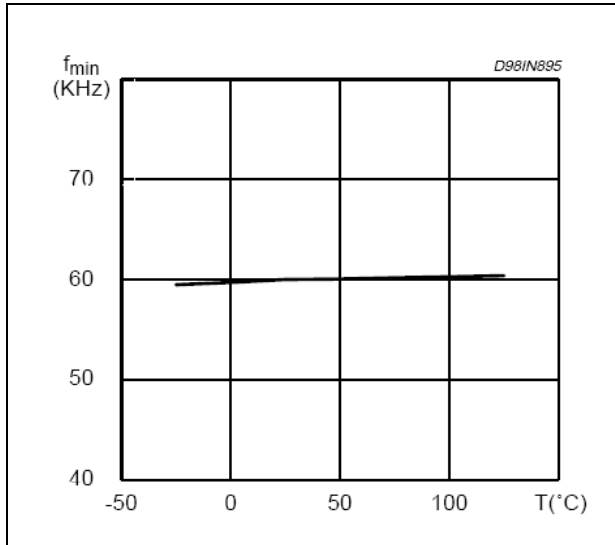


Figure 17. Start-up current vs temperature

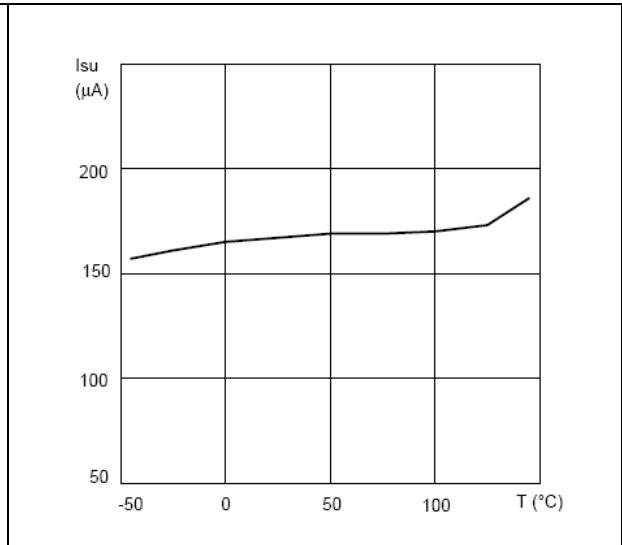


Figure 18. Typ. f_{start} vs. temperature

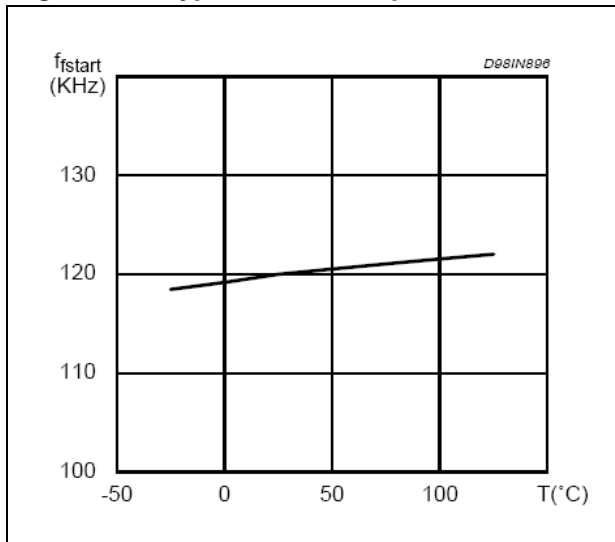


Figure 19. Quiescent current vs temperature

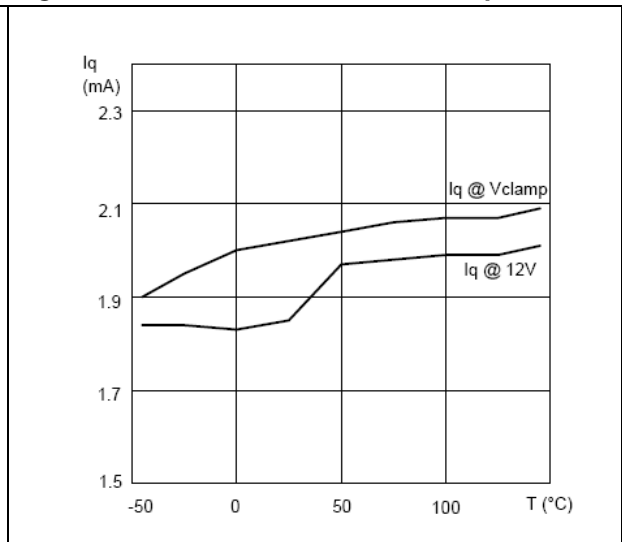


Figure 20. Vs thresholds and clamp vs temp. **Figure 21. HVG source and sink current vs. temperature**

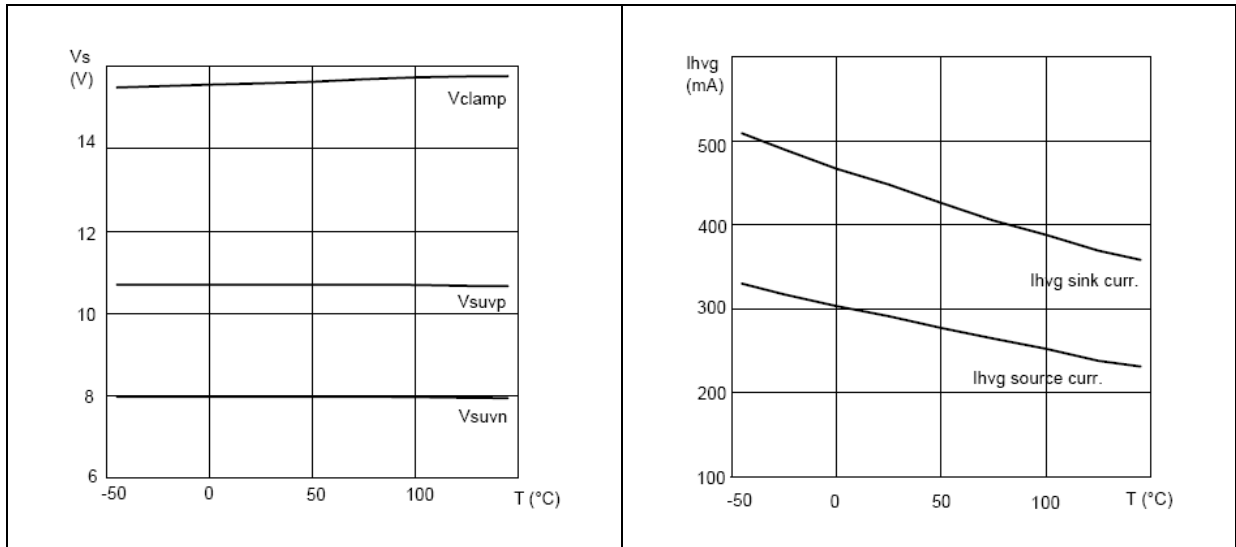
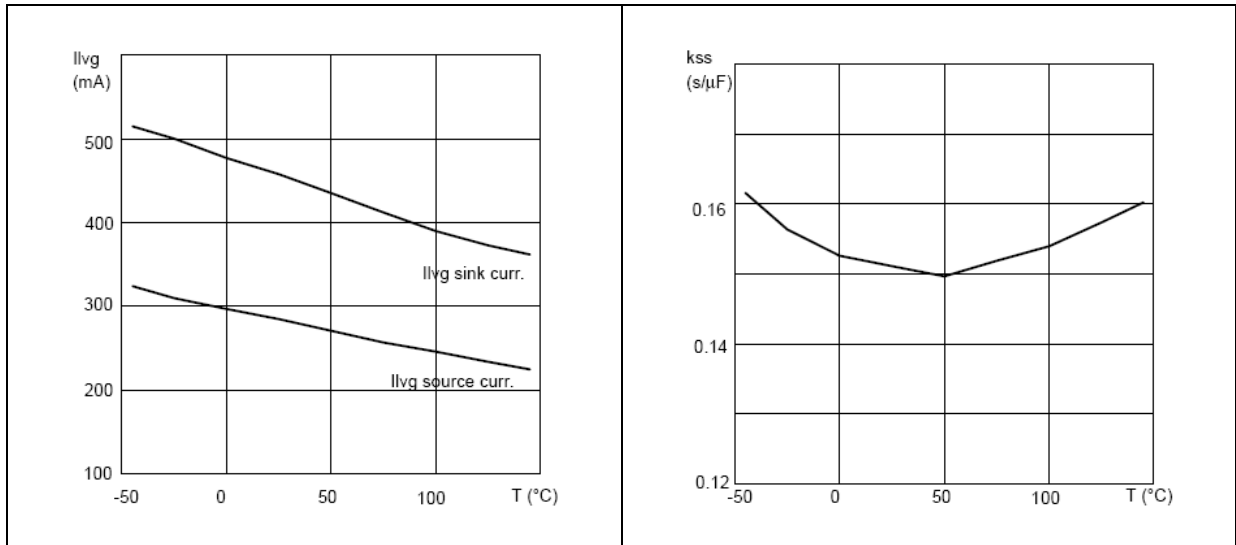


Figure 22. LVG source and sink current vs. temperature **Figure 23. Soft-start timing constant vs. temperature**

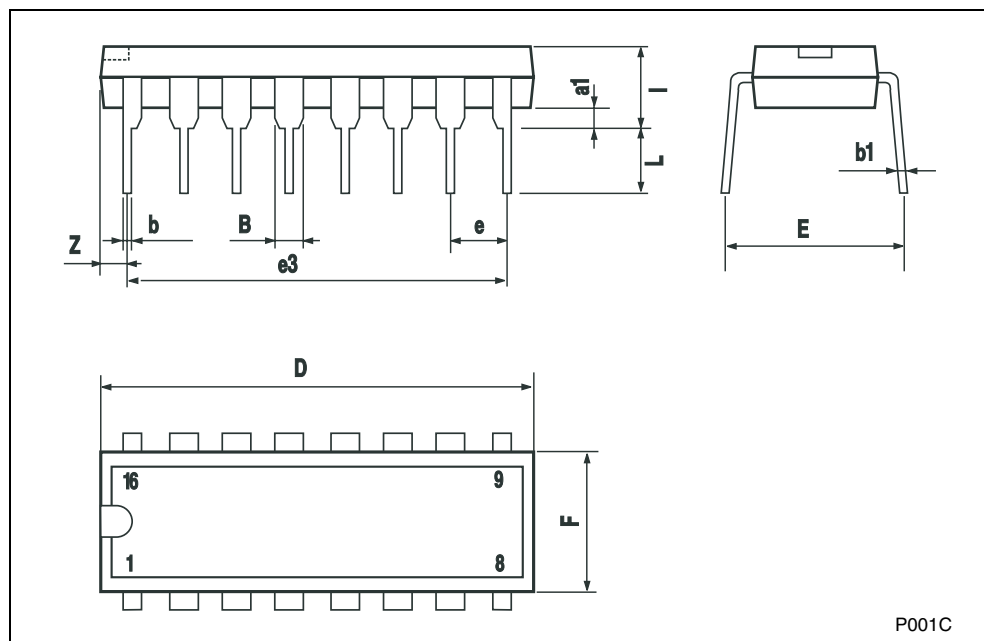


6 Package mechanical data

In order to meet environmental requirements, ST offers these devices in different grades of ECOPACK® packages, depending on their level of environmental compliance. ECOPACK® specifications, grade definitions and product status are available at: www.st.com. ECOPACK is an ST trademark.

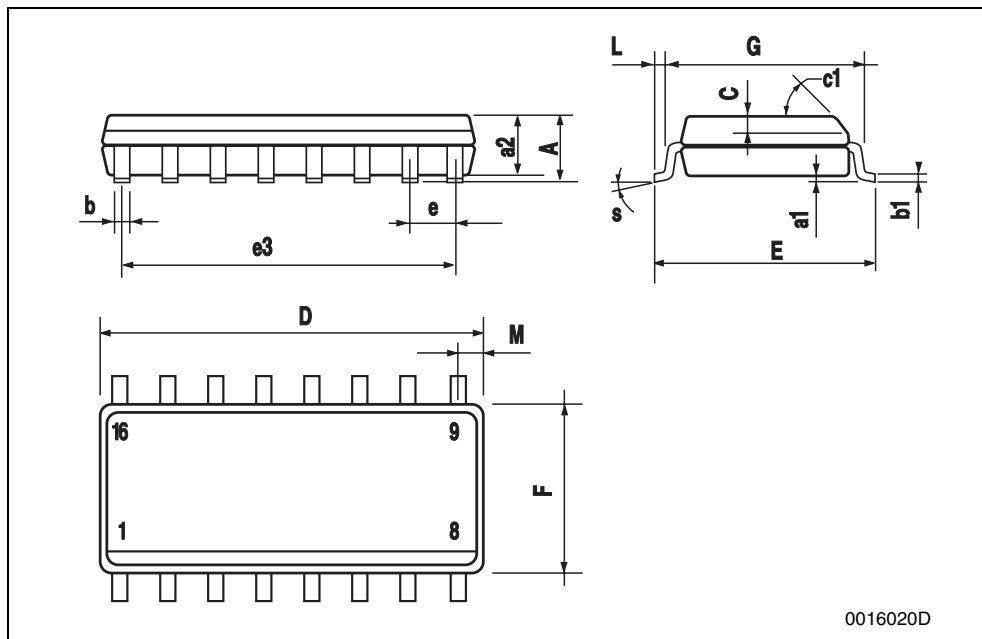
Plastic DIP-16 (0.25) MECHANICAL DATA

DIM.	mm.			inch		
	MIN.	TYP.	MAX.	MIN.	TYP.	MAX.
a1	0.51			0.020		
B	0.77		1.65	0.030		0.065
b		0.5			0.020	
b1		0.25			0.010	
D			20			0.787
E		8.5			0.335	
e		2.54			0.100	
e3		17.78			0.700	
F			7.1			0.280
I			5.1			0.201
L		3.3			0.130	
Z			1.27			0.050



SO-16 MECHANICAL DATA

DIM.	mm.			inch		
	MIN.	TYP	MAX.	MIN.	TYP.	MAX.
A			1.75			0.068
a1	0.1		0.25	0.004		0.010
a2			1.64			0.063
b	0.35		0.46	0.013		0.018
b1	0.19		0.25	0.007		0.010
C		0.5			0.019	
c1	45° (typ.)					
D	9.8		10	0.385		0.393
E	5.8		6.2	0.228		0.244
e		1.27			0.050	
e3		8.89			0.350	
F	3.8		4.0	0.149		0.157
G	4.6		5.3	0.181		0.208
L	0.5		1.27	0.019		0.050
M			0.62			0.024
S	8° (max.)					



0016020D

7 Ordering codes

Table 6. Ordering information

Order codes	Package	Packing
L6598	DIP16	Tube
L6598D	SO16N	Tube
L6598D016TR		Tape and reel

8 Revision history

Table 7. Document revision history

Date	Revision	Changes
21-Jun-2004	5	Changed the impagination following the new release of "corporate technical publication design guide". Done a few of corrections in the text.
09-Sep-2004	6	Added ordering number fot the tape and reel version, updated Table 4 on page 4
02-Oct-2009	7	Updated Table 4 on page 4

Please Read Carefully:

Information in this document is provided solely in connection with ST products. STMicroelectronics NV and its subsidiaries ("ST") reserve the right to make changes, corrections, modifications or improvements, to this document, and the products and services described herein at any time, without notice.

All ST products are sold pursuant to ST's terms and conditions of sale.

Purchasers are solely responsible for the choice, selection and use of the ST products and services described herein, and ST assumes no liability whatsoever relating to the choice, selection or use of the ST products and services described herein.

No license, express or implied, by estoppel or otherwise, to any intellectual property rights is granted under this document. If any part of this document refers to any third party products or services it shall not be deemed a license grant by ST for the use of such third party products or services, or any intellectual property contained therein or considered as a warranty covering the use in any manner whatsoever of such third party products or services or any intellectual property contained therein.

UNLESS OTHERWISE SET FORTH IN ST'S TERMS AND CONDITIONS OF SALE ST DISCLAIMS ANY EXPRESS OR IMPLIED WARRANTY WITH RESPECT TO THE USE AND/OR SALE OF ST PRODUCTS INCLUDING WITHOUT LIMITATION IMPLIED WARRANTIES OF MERCHANTABILITY, FITNESS FOR A PARTICULAR PURPOSE (AND THEIR EQUIVALENTS UNDER THE LAWS OF ANY JURISDICTION), OR INFRINGEMENT OF ANY PATENT, COPYRIGHT OR OTHER INTELLECTUAL PROPERTY RIGHT.

UNLESS EXPRESSLY APPROVED IN WRITING BY AN AUTHORIZED ST REPRESENTATIVE, ST PRODUCTS ARE NOT RECOMMENDED, AUTHORIZED OR WARRANTED FOR USE IN MILITARY, AIR CRAFT, SPACE, LIFE SAVING, OR LIFE SUSTAINING APPLICATIONS, NOR IN PRODUCTS OR SYSTEMS WHERE FAILURE OR MALFUNCTION MAY RESULT IN PERSONAL INJURY, DEATH, OR SEVERE PROPERTY OR ENVIRONMENTAL DAMAGE. ST PRODUCTS WHICH ARE NOT SPECIFIED AS "AUTOMOTIVE GRADE" MAY ONLY BE USED IN AUTOMOTIVE APPLICATIONS AT USER'S OWN RISK.

Resale of ST products with provisions different from the statements and/or technical features set forth in this document shall immediately void any warranty granted by ST for the ST product or service described herein and shall not create or extend in any manner whatsoever, any liability of ST.

ST and the ST logo are trademarks or registered trademarks of ST in various countries.

Information in this document supersedes and replaces all information previously supplied.

The ST logo is a registered trademark of STMicroelectronics. All other names are the property of their respective owners.

© 2009 STMicroelectronics - All rights reserved

STMicroelectronics group of companies

Australia - Belgium - Brazil - Canada - China - Czech Republic - Finland - France - Germany - Hong Kong - India - Israel - Italy - Japan - Malaysia - Malta - Morocco - Philippines - Singapore - Spain - Sweden - Switzerland - United Kingdom - United States of America

www.st.com



Стандарт Электрон Связь

Мы молодая и активно развивающаяся компания в области поставок электронных компонентов. Мы поставляем электронные компоненты отечественного и импортного производства напрямую от производителей и с крупнейших складов мира.

Благодаря сотрудничеству с мировыми поставщиками мы осуществляем комплексные и плановые поставки широчайшего спектра электронных компонентов.

Собственная эффективная логистика и склад в обеспечивает надежную поставку продукции в точно указанные сроки по всей России.

Мы осуществляем техническую поддержку нашим клиентам и предпродажную проверку качества продукции. На все поставляемые продукты мы предоставляем гарантию .

Осуществляем поставки продукции под контролем ВП МО РФ на предприятия военно-промышленного комплекса России , а также работаем в рамках 275 ФЗ с открытием отдельных счетов в уполномоченном банке. Система менеджмента качества компании соответствует требованиям ГОСТ ISO 9001.

Минимальные сроки поставки, гибкие цены, неограниченный ассортимент и индивидуальный подход к клиентам являются основой для выстраивания долгосрочного и эффективного сотрудничества с предприятиями радиоэлектронной промышленности, предприятиями ВПК и научно-исследовательскими институтами России.

С нами вы становитесь еще успешнее!

Наши контакты:

Телефон: +7 812 627 14 35

Электронная почта: sales@st-electron.ru

Адрес: 198099, Санкт-Петербург,
Промышленная ул, дом № 19, литера Н,
помещение 100-Н Офис 331