

## Aluminum Capacitors Axial High Temperature



Fig. 1

| QUICK REFERENCE DATA   |                             |                        |
|--|-----------------------------|------------------------|
| DESCRIPTION  | VALUE                       |                        |
| Nominal case sizes<br>( $\varnothing$ D x L in mm)                             | 6.5 x 18<br>to 10 x 25      | 10 x 30<br>to 21 x 38  |
| Rated capacitance range, $C_R$   | 1 $\mu$ F to 10 000 $\mu$ F |                        |
| Tolerance on $C_R$   | $\pm 20$ %                  |                        |
| Rated voltage range, $U_R$   | 6.3 V to 200 V              |                        |
| Category temperature range   | - 40 °C to<br>+ 125 °C      | - 55 °C to<br>+ 125 °C |
| Endurance test at 150 °C<br>(6.3 V to 100 V)                                   | 500 h                       | 500 h                  |
| Endurance test at 125 °C   | 2000 h                      | 3000 h                 |
| Useful life at 125 °C  | 4000 h                      | 8000 h                 |
| Useful life at 40 °C,<br>1.8 x $I_R$ applied                                   | 500 000 h                   | 1 000 000 h            |
| Shelf life at 0 V, 125 °C:<br>$U_R = 6.3$ V to 63 V<br>$U_R = 100$ V and 200 V | 500 h<br>100 h              |                        |
| Based on sectional<br>specification  | IEC 60384-4/EN130300        |                        |
| Climatic category IEC 60068  | 40/125/56                   | 55/125/56              |

### FEATURES

- Polarized aluminum electrolytic capacitors, non-solid electrolyte
- Axial leads, cylindrical aluminum case, insulated with a blue sleeve
- Mounting ring version not available in insulated form
- Taped versions up to case  $\varnothing$  15 mm x 30 mm available for automatic insertion
- Charge and discharge proof
- Extra long useful life: Up to 8000 h at 125 °C, high reliability
- Extended temperature range: 125 °C (usable up to 150 °C)
- Miniaturized, high CV-product per unit volume
- Material categorization: For definitions of compliance please see [www.vishay.com/doc?99912](http://www.vishay.com/doc?99912)


**RoHS  
COMPLIANT**

### APPLICATIONS

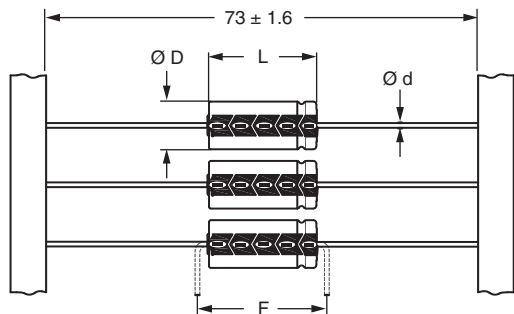
- Automotive, industrial and telecommunication
- Smoothing, filtering, coupling, decoupling, timing
- For use after very long storage (10 years) without voltage applied
- Portable and mobile equipment (small size, low mass)
- Low mounting height boards, vibration and shock resistant
- Outdoor applications, e.g. aerial amplifiers

### MARKING

The capacitors are marked (where possible) with the following information:

- Rated capacitance (in  $\mu$ F)
- Tolerance on rated capacitance, code letter in accordance with IEC 60062 (M for  $\pm 20$  %)
- Rated voltage (in V) at 125 °C and 85 °C
- Date code, in accordance with IEC 60062
- Code indicating factory of origin
- Name of manufacturer
- Negative terminal identification
- Series number (118)

| SELECTION CHART FOR $C_R$ , $U_R$ , AND RELEVANT NOMINAL CASE SIZES ( $\varnothing D \times L$ in mm) |           |           |           |           |           |           |           |           |
|---|-----------|-----------|-----------|-----------|-----------|-----------|-----------|-----------|
| $C_R$<br>( $\mu F$ )  | $U_R$ (V) |           |           |           |           |           |           |           |
|   | 6.3       | 10        | 16        | 25        | 40        | 63        | 100       | 200       |
| 1.0   | -         | -         | -         | -         | -         | 6.5 x 18  | -         | -         |
| 2.2   | -         | -         | -         | -         | -         | 6.5 x 18  | -         | 6.5 x 18  |
| 4.7   | -         | -         | -         | -         | -         | 6.5 x 18  | 6.5 x 18  | 8 x 18    |
| 10  | -         | -         | -         | -         | -         | 6.5 x 18  | 6.5 x 18  | 10 x 25   |
| 15  | -         | -         | -         | -         | -         | -         | -         | 10 x 30   |
| 22  | -         | -         | -         | -         | -         | 6.5 x 18  | 8 x 18    | 12.5 x 30 |
| 33  | -         | -         | -         | -         | -         | -         | 10 x 25   | 15 x 30   |
| 47  | -         | -         | -         | -         | 6.5 x 18  | 8 x 18    | 10 x 25   | 18 x 30   |
|   | -         | -         | -         | -         | -         | -         | 10 x 30   | -         |
| 68  | -         | -         | -         | -         | -         | -         | 12.5 x 30 | 18 x 38   |
| 100   | -         | -         | -         | 6.5 x 18  | 8 x 18    | 10 x 25   | 12.5 x 30 | 21 x 38   |
|   | -         | -         | -         | -         | -         | 10 x 30   | -         | -         |
| 150   | -         | -         | -         | -         | 10 x 18   | 12.5 x 30 | 15 x 30   | -         |
| 220   | -         | 6.5 x 18  | 8 x 18    | 10 x 18   | 10 x 25   | 12.5 x 30 | 18 x 30   | -         |
|   | -         | -         | -         | -         | 10 x 30   | -         | -         | -         |
| 330   | -         | 8 x 18    | 10 x 18   | 10 x 25   | 12.5 x 30 | 15 x 30   | 18 x 38   | -         |
| 470   | -         | 8 x 18    | 10 x 18   | 10 x 25   | 12.5 x 30 | 18 x 30   | 21 x 38   | -         |
|   | -         | -         | -         | 10 x 30   | -         | -         | -         | -         |
| 680   | -         | -         | 10 x 30   | 12.5 x 30 | 15 x 30   | 18 x 38   | -         | -         |
| 1000  | 10 x 18   | 10 x 25   | 12.5 x 30 | 12.5 x 30 | 18 x 30   | 21 x 38   | -         | -         |
|   | -         | 10 x 30   | -         | -         | -         | -         | -         | -         |
| 1500  | 10 x 25   | 12.5 x 30 | 12.5 x 30 | 15 x 30   | 18 x 38   | -         | -         | -         |
| 2200  | -         | 12.5 x 30 | 15 x 30   | 18 x 30   | 21 x 38   | -         | -         | -         |
| 3300  | -         | 15 x 30   | 18 x 30   | 18 x 38   | -         | -         | -         | -         |
| 4700  | -         | 18 x 30   | 18 x 38   | 21 x 38   | -         | -         | -         | -         |
| 6800  | -         | 18 x 38   | 21 x 38   | -         | -         | -         | -         | -         |
| 10 000  | -         | 21 x 38   | -         | -         | -         | -         | -         | -         |

**DIMENSIONS in millimeters AND AVAILABLE FORMS**


**Form BR:** Taped on reel  
Case  $\varnothing D \times L = 6.5 \text{ mm} \times 18 \text{ mm}$  to  $15 \text{ mm} \times 30 \text{ mm}$   
**Form BA:** Taped in box (ammopack)  
Case  $\varnothing D \times L = 6.5 \text{ mm} \times 18 \text{ mm}$  to  $10 \text{ mm} \times 25 \text{ mm}$

Fig. 2 - Forms BA and BR



**Form AA:** Axial in box  
Case  $\varnothing D \times L = 10 \text{ mm} \times 30 \text{ mm}$  to  $21 \text{ mm} \times 38 \text{ mm}$

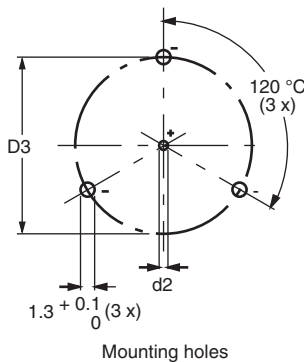
Fig. 3 - Form AA

**Table 1**

| <b>AXIAL; DIMENSIONS in millimeters, MASS AND PACKAGING QUANTITIES</b> |           |                           |        |                     |                   |                   |          |                      |         |         |
|--|-----------|---------------------------|--------|---------------------|-------------------|-------------------|----------|----------------------|---------|---------|
| NOMINAL CASE SIZE<br>Ø D x L   | CASE CODE | AXIAL: FORM AA, BA AND BR |        |                     |                   |                   | MASS (g) | PACKAGING QUANTITIES |         |         |
|  |           | Ø d                       | l      | Ø D <sub>max.</sub> | L <sub>max.</sub> | F <sub>min.</sub> |          | FORM AA              | FORM BA | FORM BR |
| 6.5 x 18   | 4         | 0.8                       | -      | 6.9                 | 18.5              | 25                | 1.3      | -                    | 1000    | 1000    |
| 8 x 18   | 5         | 0.8                       | -      | 8.5                 | 18.5              | 25                | 1.7      | -                    | 500     | 500     |
| 10 x 18  | 6         | 0.8                       | -      | 10.5                | 18.5              | 25                | 2.5      | -                    | 500     | 500     |
| 10 x 25  | 7         | 0.8                       | -      | 10.5                | 25.5              | 30                | 3.3      | -                    | 500     | 500     |
| 10 x 30  | 0         | 0.8                       | 55 ± 1 | 10.5                | 30.5              | 35                | 4.8      | 340                  | -       | 500     |
| 12.5 x 30  | 1         | 0.8                       | 55 ± 1 | 13.0                | 30.5              | 35                | 7.4      | 260                  | -       | 400     |
| 15 x 30  | 2         | 0.8                       | 55 ± 1 | 15.5                | 30.5              | 35                | 11.7     | 200                  | -       | 250     |
| 18 x 30  | 3         | 0.8                       | 55 ± 1 | 18.5                | 30.5              | 35                | 12.9     | 120                  | -       | -       |
| 18 x 38  | 4         | 0.8                       | 55 ± 1 | 18.5                | 39.5              | 44                | 19       | 125                  | -       | -       |
| 21 x 38  | 5         | 0.8                       | 55 ± 1 | 21.5                | 39.5              | 44                | 24       | 100                  | -       | -       |

**Note**

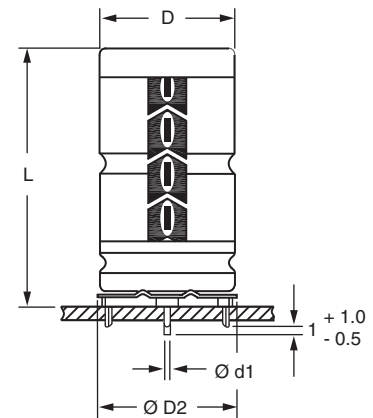
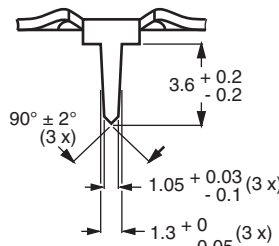
- Detailed tape dimensions see section "Packaging".



Mounting holes

Case Ø D x L = 15 mm x 30 mm to 21 mm x 38 mm

Especially for applications with severe shocks and vibrations


 Fig. 4 - Mounting hole diagram and outline; **Form MR:** With mounting ring and pins

| <b>MOUNTING RING; DIMENSIONS in millimeters, MASS AND PACKAGING QUANTITIES</b> |           |                        |           |                     |                      |            |                   |          |                      |
|--|-----------|------------------------|-----------|---------------------|----------------------|------------|-------------------|----------|----------------------|
| NOMINAL CASE SIZE<br>Ø D x L   | CASE CODE | MOUNTING RING: FORM MR |           |                     |                      |            |                   | MASS (g) | PACKAGING QUANTITIES |
|  |           | Ø d1                   | Ø d2      | Ø D <sub>max.</sub> | Ø D2 <sub>max.</sub> | D3         | L <sub>max.</sub> |          |                      |
| 15 x 30  | 2         | 0.8                    | 1.0 + 0.4 | 15.5                | 17.5                 | 16.5 ± 0.2 | 33                | ≈ 8.6    | 200                  |
| 18 x 30  | 3         | 0.8                    | 1.0 + 0.4 | 18.5                | 19.5                 | 18.5 ± 0.2 | 33                | ≈ 11.5   | 240                  |
| 18 x 38  | 4         | 0.8                    | 1.0 + 0.4 | 18.5                | 19.5                 | 18.5 ± 0.2 | 42                | ≈ 14.0   | 100                  |
| 21 x 38  | 5         | 0.8                    | 1.0 + 0.4 | 21.5                | 22.5                 | 21.5 ± 0.2 | 42                | ≈ 19.0   | 100                  |

| <b>ELECTRICAL DATA</b> |  |
|------------------------|--|
| SYMBOL                 | DESCRIPTION  |
| C <sub>R</sub>         | Rated capacitance at 100 Hz, tolerance ± 20 %  |
| I <sub>R</sub>         | Rated RMS ripple current at 100 Hz, 125 °C   |
| I <sub>L1</sub>        | Max. leakage current after 1 min at U <sub>R</sub>   |
| I <sub>L5</sub>        | Max. leakage current after 5 min at U <sub>R</sub>   |
| tan δ                  | Max. dissipation factor at 100 Hz  |
| ESR                    | Equivalent series resistance at 100 Hz (calculated from tan δ <sub>max.</sub> and C <sub>R</sub> ) |
| Z                      | Max. impedance at 10 kHz   |

**Note**

- Unless otherwise specified, all electrical values in Table 2 apply at T<sub>amb</sub> = 20 °C, P = 86 kPa to 106 kPa, RH = 45 % to 75 %.

**ORDERING EXAMPLE**

Electrolytic capacitor 118 series

1000 µF/10 V; ± 20 %

Nominal case size: Ø 10 mm x 30 mm; Form BR

Ordering code: MAL211824102E3

Former 12NC: 2222 118 24102



Table 2

| ELECTRICAL DATA AND ORDERING INFORMATION |                                  |   |              |  |                                  |                                  |                 |                      |                    |                            |                             |                            |                             |
|--|----------------------------------|---|--------------|--|----------------------------------|----------------------------------|-----------------|----------------------|--------------------|----------------------------|-----------------------------|----------------------------|-----------------------------|
| U <sub>R</sub><br>(V)                    | C <sub>R</sub><br>100 Hz<br>(µF) | NOMINAL<br>CASE SIZE<br>Ø D x L<br>(mm) | CASE<br>CODE | I <sub>R</sub><br>100 Hz<br>125 °C<br>(mA) | I <sub>L1</sub><br>1 min<br>(µA) | I <sub>L5</sub><br>5 min<br>(µA) | tan δ<br>100 Hz | ESR<br>100 Hz<br>(Ω) | Z<br>10 kHz<br>(Ω) | ORDERING CODE MAL2118..... |                             |                            |                             |
|  |                                  |   |              |  |                                  |                                  |                 |                      |                    | IN BOX<br>FORM AA          | TAPED<br>ON REEL<br>FORM BR | TAPED<br>IN BOX<br>FORM BA | MOUNTING<br>RING<br>FORM MR |
| 6.3                                      | 1000                             | 10 x 18                                 | 6            | 251  | 42                               | 17                               | 0.50            | 0.790                | 0.80               | -                          | 23102E3                     | 33102E3                    | -                           |
|  | 1500                             | 10 x 25                                 | 7            | 352  | 61                               | 23                               | 0.50            | 0.530                | 0.53               | -                          | 90502E3                     | 90503E3                    | -                           |
| 10                                       | 220                              | 6.5 x 18                                | 4            | 109  | 20                               | 8.4                              | 0.35            | 2.530                | 2.10               | -                          | 24221E3                     | 34221E3                    | -                           |
|  | 330                              | 8 x 18                                  | 5            | 150  | 24                               | 11                               | 0.35            | 1.690                | 1.40               | -                          | 24331E3                     | 34331E3                    | -                           |
|  | 470                              | 8 x 18                                  | 5            | 179  | 32                               | 13                               | 0.35            | 1.190                | 1.00               | -                          | 24471E3                     | 34471E3                    | -                           |
|  | 1000                             | 10 x 25                                 | 7            | 343  | 64                               | 24                               | 0.35            | 0.560                | 0.55               | -                          | 90504E3                     | 90505E3                    | -                           |
|  | 1000                             | 10 x 30                                 | 00           | 550  | 64                               | 24                               | 0.32            | 0.505                | 0.45               | 14102E3                    | 24102E3                     | -                          | -                           |
|  | 1500                             | 12.5 x 30                               | 01           | 740  | 94                               | 34                               | 0.32            | 0.340                | 0.28               | 14152E3                    | 24152E3                     | -                          | -                           |
|  | 2200                             | 12.5 x 30                               | 01           | 830  | 136                              | 48                               | 0.40            | 0.290                | 0.27               | 14222E3                    | 24222E3                     | -                          | -                           |
|  | 3300                             | 15 x 30                                 | 02           | 1070                                       | 202                              | 70                               | 0.40            | 0.190                | 0.18               | 14332E3                    | 24332E3                     | -                          | 44332E3                     |
|  | 4700                             | 18 x 30                                 | 03           | 1350                                       | 286                              | 98                               | 0.46            | 0.155                | 0.15               | 14472E3                    | -                           | -                          | 44472E3                     |
| 6800                                     | 18 x 38                          | 04                                      | 1730         | 412  | 140                              | 0.53                             | 0.100           | 0.10                 | 14682E3            | -                          | -                           | 44682E3                    |                             |
| 10 000                                   | 21 x 38                          | 05                                      | 1860         | 604  | 200                              | 0.53                             | 0.084           | 0.10                 | 14103E3            | -                          | -                           | 44103E3                    |                             |
| 16                                       | 220                              | 8 x 18                                  | 5            | 145  | 25                               | 11                               | 0.25            | 1.810                | 1.50               | -                          | 25221E3                     | 35221E3                    | -                           |
|  | 330                              | 10 x 18                                 | 6            | 204  | 36                               | 15                               | 0.25            | 1.210                | 1.20               | -                          | 25331E3                     | 35331E3                    | -                           |
|  | 470                              | 10 x 18                                 | 6            | 243  | 49                               | 19                               | 0.25            | 0.850                | 0.83               | -                          | 25471E3                     | 35471E3                    | -                           |
|  | 680                              | 10 x 30                                 | 00           | 510  | 69                               | 30                               | 0.22            | 0.525                | 0.45               | 15681E3                    | 25681E3                     | -                          | -                           |
|  | 1000                             | 12.5 x 30                               | 01           | 720  | 100                              | 36                               | 0.22            | 0.345                | 0.28               | 15102E3                    | 25102E3                     | -                          | -                           |
|  | 1500                             | 12.5 x 30                               | 01           | 790  | 148                              | 52                               | 0.29            | 0.305                | 0.27               | 15152E3                    | 25152E3                     | -                          | -                           |
|  | 2200                             | 15 x 30                                 | 02           | 1010                                       | 215                              | 74                               | 0.29            | 0.205                | 0.18               | 15222E3                    | 25222E3                     | -                          | 45222E3                     |
|  | 3300                             | 18 x 30                                 | 03           | 1300                                       | 321                              | 110                              | 0.34            | 0.165                | 0.15               | 15332E3                    | -                           | -                          | 45332E3                     |
|  | 4700                             | 18 x 38                                 | 04           | 1670                                       | 455                              | 150                              | 0.34            | 0.105                | 0.10               | 15472E3                    | -                           | -                          | 45472E3                     |
| 6800                                     | 21 x 38                          | 05                                      | 1790         | 657  | 220                              | 0.38                             | 0.088           | 0.10                 | 15682E3            | -                          | -                           | 45682E3                    |                             |
| 25                                       | 100                              | 6.5 x 18                                | 4            | 102  | 20                               | 9                                | 0.18            | 2.860                | 2.30               | -                          | 26101E3                     | 36101E3                    | -                           |
|  | 220                              | 10 x 18                                 | 6            | 196  | 37                               | 15                               | 0.18            | 1.300                | 1.25               | -                          | 26221E3                     | 36221E3                    | -                           |
|  | 330                              | 10 x 25                                 | 7            | 274  | 54                               | 21                               | 0.18            | 0.870                | 0.82               | -                          | 26331E3                     | 36331E3                    | -                           |
|  | 470                              | 10 x 25                                 | 7            | 327  | 75                               | 28                               | 0.18            | 0.610                | 0.57               | -                          | 90508E3                     | 90509E3                    | -                           |
|  | 470                              | 10 x 30                                 | 00           | 490  | 75                               | 28                               | 0.18            | 0.610                | 0.50               | 16471E3                    | 26471E3                     | -                          | -                           |
|  | 680                              | 12.5 x 30                               | 01           | 680  | 106                              | 38                               | 0.18            | 0.420                | 0.30               | 16681E3                    | 26681E3                     | -                          | -                           |
|  | 1000                             | 12.5 x 30                               | 01           | 760  | 154                              | 54                               | 0.24            | 0.375                | 0.28               | 16102E3                    | 26102E3                     | -                          | -                           |
|  | 1500                             | 15 x 30                                 | 02           | 980  | 229                              | 79                               | 0.25            | 0.263                | 0.22               | 16152E3                    | 26152E3                     | -                          | 46152E3                     |
|  | 2200                             | 18 x 30                                 | 03           | 1240                                       | 334                              | 110                              | 0.26            | 0.185                | 0.17               | 16222E3                    | -                           | -                          | 46222E3                     |
|  | 3300                             | 18 x 38                                 | 04           | 1610                                       | 499                              | 170                              | 0.26            | 0.120                | 0.11               | 16332E3                    | -                           | -                          | 46332E3                     |
| 4700                                     | 21 x 38                          | 05                                      | 1710         | 709  | 240                              | 0.28                             | 0.095           | 0.10                 | 16472E3            | -                          | -                           | 46472E3                    |                             |
| 40                                       | 47                               | 6.5 x 18                                | 4            | 89.8                                       | 20                               | 7.8                              | 0.11            | 3.720                | 2.80               | -                          | 27479E3                     | 37479E3                    | -                           |
|  | 100                              | 8 x 18                                  | 5            | 147  | 28                               | 12                               | 0.11            | 1.750                | 1.30               | -                          | 27101E3                     | 37101E3                    | -                           |
|  | 150                              | 10 x 18                                 | 6            | 207  | 40                               | 16                               | 0.11            | 1.170                | 1.00               | -                          | 27151E3                     | 37151E3                    | -                           |
|  | 220                              | 10 x 25                                 | 7            | 287  | 57                               | 22                               | 0.11            | 0.800                | 0.68               | -                          | 90511E3                     | 90512E3                    | -                           |
|  | 220                              | 10 x 30                                 | 00           | 390  | 57                               | 22                               | 0.10            | 0.700                | 0.55               | 17221E3                    | 27221E3                     | -                          | -                           |
|  | 330                              | 12.5 x 30                               | 01           | 570  | 83                               | 30                               | 0.10            | 0.430                | 0.33               | 17331E3                    | 27331E3                     | -                          | -                           |
|  | 470                              | 12.5 x 30                               | 01           | 620  | 117                              | 42                               | 0.11            | 0.380                | 0.30               | 17471E3                    | 27471E3                     | -                          | -                           |
|  | 680                              | 15 x 30                                 | 02           | 810  | 167                              | 58                               | 0.11            | 0.255                | 0.23               | 17681E3                    | 27681E3                     | -                          | 47681E3                     |
|  | 1000                             | 18 x 30                                 | 03           | 1070                                       | 244                              | 84                               | 0.13            | 0.205                | 0.18               | 17102E3                    | -                           | -                          | 47102E3                     |
|  | 1500                             | 18 x 38                                 | 04           | 1390                                       | 364                              | 120                              | 0.13            | 0.130                | 0.11               | 17152E3                    | -                           | -                          | 47152E3                     |
|  | 2200                             | 21 x 38                                 | 05           | 1540                                       | 532                              | 180                              | 0.15            | 0.105                | 0.10               | 17222E3                    | -                           | -                          | 47222E3                     |



| ELECTRICAL DATA AND ORDERING INFORMATION |                                  |   |              |  |                                  |                                  |                 |                      |                    |                            |                             |                            |                             |
|--|----------------------------------|---|--------------|--|----------------------------------|----------------------------------|-----------------|----------------------|--------------------|----------------------------|-----------------------------|----------------------------|-----------------------------|
| U <sub>R</sub><br>(V)                    | C <sub>R</sub><br>100 Hz<br>(µF) | NOMINAL<br>CASE SIZE<br>Ø D x L<br>(mm) | CASE<br>CODE | I <sub>R</sub><br>100 Hz<br>125 °C<br>(mA) | I <sub>L1</sub><br>1 min<br>(µA) | I <sub>L5</sub><br>5 min<br>(µA) | tan δ<br>100 Hz | ESR<br>100 Hz<br>(Ω) | Z<br>10 kHz<br>(Ω) | ORDERING CODE MAL2118..... |                             |                            |                             |
|  |                                  |   |              |  |                                  |                                  |                 |                      |                    | IN BOX<br>FORM AA          | TAPED<br>ON REEL<br>FORM BR | TAPED<br>IN BOX<br>FORM BA | MOUNTING<br>RING<br>FORM MR |
| 63                                       | 1.0                              | 6.5 x 18                                | 4            | 16.4                                       | 20                               | 4.1                              | 0.07            | 110                  | 22.0               | -                          | 28108E3                     | 38108E3                    | -                           |
|  | 2.2                              | 6.5 x 18                                | 4            | 24.3                                       | 20                               | 4.3                              | 0.07            | 51.0                 | 15.0               | -                          | 28228E3                     | 38228E3                    | -                           |
|  | 4.7                              | 6.5 x 18                                | 4            | 35.6                                       | 20                               | 4.6                              | 0.07            | 24.0                 | 8.90               | -                          | 28478E3                     | 38478E3                    | -                           |
|  | 10                               | 6.5 x 18                                | 4            | 51.9                                       | 20                               | 5.3                              | 0.07            | 11.0                 | 5.60               | -                          | 28109E3                     | 38109E3                    | -                           |
|  | 22                               | 6.5 x 18                                | 4            | 77.0                                       | 20                               | 6.8                              | 0.07            | 5.10                 | 3.20               | -                          | 28229E3                     | 38229E3                    | -                           |
|  | 47                               | 8 x 18                                  | 5            | 126  | 22                               | 9.9                              | 0.07            | 2.40                 | 1.50               | -                          | 28479E3                     | 38479E3                    | -                           |
|  | 100                              | 10 x 25                                 | 7            | 243  | 42                               | 17                               | 0.07            | 1.10                 | 0.70               | -                          | 90513E3                     | 90514E3                    | -                           |
|  | 100                              | 10 x 30                                 | 00           | 340  | 42                               | 17                               | 0.07            | 1.91                 | 1.62               | 18101E3                    | 28101E3                     | -                          | -                           |
|  | 150                              | 12.5 x 30                               | 01           | 490  | 61                               | 23                               | 0.07            | 1.00                 | 0.79               | 18151E3                    | 28151E3                     | -                          | -                           |
|  | 220                              | 12.5 x 30                               | 01           | 550  | 87                               | 32                               | 0.08            | 0.94                 | 0.82               | 18221E3                    | 28221E3                     | -                          | -                           |
|  | 330                              | 15 x 30                                 | 02           | 730  | 129                              | 46                               | 0.09            | 0.63                 | 0.56               | 18331E3                    | 28331E3                     | -                          | 48331E3                     |
|  | 470                              | 18 x 30                                 | 03           | 970  | 182                              | 63                               | 0.09            | 0.44                 | 0.39               | 18471E3                    | -                           | -                          | 48471E3                     |
|  | 680                              | 18 x 38                                 | 04           | 1230                                       | 261                              | 90                               | 0.09            | 0.30                 | 0.26               | 18681E3                    | -                           | -                          | 48681E3                     |
| 1000                                     | 21 x 38                          | 05                                      | 1400         | 383  | 130                              | 0.10                             | 0.16            | 0.20                 | 18102E3            | -                          | -                           | 48102E3                    |                             |
| 100                                      | 4.7                              | 6.5 x 18                                | 4            | 36   | 20                               | 4.9                              | 0.07            | 24.0                 | 19.0               | -                          | 29478E3                     | 39478E3                    | -                           |
|  | 10                               | 6.5 x 18                                | 4            | 52   | 20                               | 6.0                              | 0.07            | 11.0                 | 9.00               | -                          | 29109E3                     | 39109E3                    | -                           |
|  | 22                               | 8 x 18                                  | 5            | 91   | 20                               | 8.4                              | 0.07            | 5.10                 | 4.00               | -                          | 29229E3                     | 39229E3                    | -                           |
|  | 33                               | 10 x 25                                 | 7            | 140  | 24                               | 11                               | 0.07            | 3.40                 | 2.70               | -                          | 29339E3                     | 39339E3                    | -                           |
|  | 47                               | 10 x 25                                 | 7            | 170  | 33                               | 13                               | 0.07            | 2.60                 | 2.00               | -                          | 90535E3                     | 90536E3                    | -                           |
|  | 47                               | 10 x 30                                 | 00           | 240  | 33                               | 13                               | 0.08            | 2.60                 | 2.00               | 19479E3                    | 29479E3                     | -                          | -                           |
|  | 68                               | 12.5 x 30                               | 01           | 320  | 45                               | 18                               | 0.08            | 1.80                 | 1.20               | 19689E3                    | 29689E3                     | -                          | -                           |
|  | 100                              | 12.5 x 30                               | 01           | 380  | 64                               | 24                               | 0.09            | 1.40                 | 1.15               | 19101E3                    | 29101E3                     | -                          | -                           |
|  | 150                              | 15 x 30                                 | 02           | 500  | 94                               | 34                               | 0.10            | 0.94                 | 0.78               | 19151E3                    | 29151E3                     | -                          | 49151E3                     |
|  | 220                              | 18 x 30                                 | 03           | 690  | 136                              | 48                               | 0.10            | 0.66                 | 0.55               | 19221E3                    | -                           | -                          | 49221E3                     |
|  | 330                              | 18 x 38                                 | 04           | 890  | 202                              | 70                               | 0.10            | 0.45                 | 0.37               | 19331E3                    | -                           | -                          | 49331E3                     |
| 470                                      | 21 x 38                          | 05                                      | 1050         | 286  | 98                               | 0.10                             | 0.33            | 0.28                 | 19471E3            | -                          | -                           | 49471E3                    |                             |
| 200                                      | 2.2                              | 6.5 x 18                                | 4            | 27   | 20                               | 4.9                              | 0.06            | 44.0                 | 23.0               | -                          | 90537E3                     | 90538E3                    | -                           |
|  | 4.7                              | 8 x 18                                  | 5            | 46   | 20                               | 5.9                              | 0.06            | 21.0                 | 11.0               | -                          | 90539E3                     | 90541E3                    | -                           |
|  | 10                               | 10 x 25                                 | 7            | 85   | 20                               | 8.0                              | 0.06            | 9.40                 | 5.00               | -                          | 90542E3                     | 90543E3                    | -                           |
|  | 15                               | 10 x 30                                 | 00           | 150  | 22                               | 10                               | 0.046           | 4.76                 | 3.75               | 92159E3                    | 90012E3                     | -                          | -                           |
|  | 22                               | 12.5 x 30                               | 01           | 210  | 31                               | 13                               | 0.046           | 3.17                 | 2.22               | 92229E3                    | 90013E3                     | -                          | -                           |
|  | 33                               | 15 x 30                                 | 02           | 290  | 44                               | 17                               | 0.046           | 2.11                 | 1.11               | 92339E3                    | 90014E3                     | -                          | 90002E3                     |
|  | 47                               | 18 x 30                                 | 03           | 390  | 61                               | 23                               | 0.046           | 1.48                 | 0.60               | 92479E3                    | -                           | -                          | 90003E3                     |
|  | 68                               | 18 x 38                                 | 04           | 500  | 86                               | 31                               | 0.046           | 1.02                 | 0.42               | 92689E3                    | -                           | -                          | 90004E3                     |
| 100                                      | 21 x 38                          | 05                                      | 610          | 124  | 44                               | 0.046                            | 0.96            | 0.39                 | 92101E3            | -                          | -                           | 90005E3                    |                             |

| ADDITIONAL ELECTRICAL DATA         |                                   |   |               |
|------------------------------------|-----------------------------------|---|---------------|
| PARAMETER                          | CONDITIONS                        | VALUE   |               |
|                                    |                                   | AXIAL   | MOUNTING RING |
| <b>Voltage</b>                     |                                   |   |               |
| Surge voltage                      |                                   | $U_S \leq 1.15 \times U_R$  |               |
| Reverse voltage                    |                                   | $U_{rev} \leq 1 \text{ V}$  |               |
| <b>Current</b>                     |                                   |   |               |
| Leakage current                    | After 1 min at $U_R$              | $I_{L1} \leq 0.006 C_R \times U_R + 4 \mu\text{A}$ or $20 \mu\text{A}$ (whichever is greater) |               |
|                                    | After 5 min at $U_R$              | $I_{L5} \leq 0.002 C_R \times U_R + 4 \mu\text{A}$  |               |
| <b>Inductance</b>                  |                                   |   |               |
| Equivalent series inductance (ESL) | Case $\varnothing D \times L$ mm: |   |               |
|                                    | 6.5 x 18                          | Typ. 15 nH  | -             |
|                                    | 8 x 18                            | Typ. 35 nH  | -             |
|                                    | 10 x 18                           | Typ. 69 nH  | -             |
|                                    | 10 x 25                           | Typ. 38 nH  | -             |
|                                    | 10 x 30                           | Typ. 38 nH  | -             |
|                                    | 12.5 x 30                         | Typ. 46 nH  | -             |
|                                    | 15 x 30                           | Typ. 48 nH  | Typ. 39 nH    |
|                                    | 18 x 30                           | Typ. 50 nH  | Typ. 39 nH    |
|                                    | 18 x 38                           | Typ. 54 nH  | Typ. 39 nH    |
| 21 x 38                            | Typ. 59 nH                        | Typ. 39 nH  |               |

Table 3

| UPRATING VALUES AT REDUCED AMBIENT TEMPERATURE |   |        |    |    |    |    |     |     |     |      |
|--|---|--------|----|----|----|----|-----|-----|-----|------|
| SYMBOL   | CONDITIONS  | VALUES |    |    |    |    |     |     |     | UNIT |
| $U_R$  | $T_{amb} > 85 \text{ }^\circ\text{C}$ to $125 \text{ }^\circ\text{C}$ | 6.3    | 10 | 16 | 25 | 40 | 63  | 100 | 200 | V    |
| $U_{R2}$                                       | $T_{amb} \leq 85 \text{ }^\circ\text{C}$                              | 10     | 16 | 25 | 40 | 63 | 100 | 125 | 250 | V    |

**Note**

- For applications at ambient temperatures of  $\leq 85 \text{ }^\circ\text{C}$ , the rated voltage ( $U_R$ ) may be raised to  $U_{R2}$ .

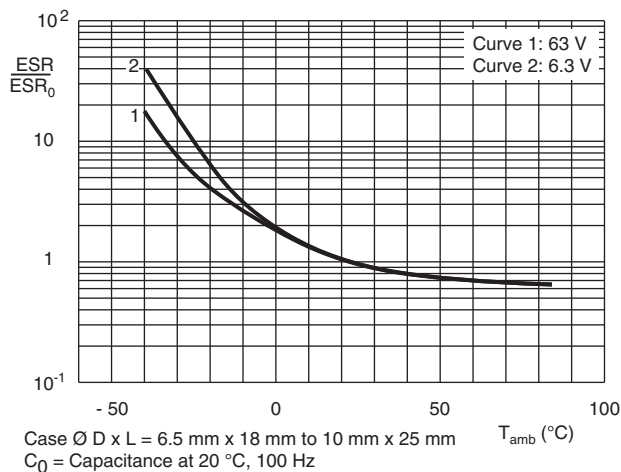
**CAPACITANCE**


Fig. 5 - Typical multiplier of capacitance as a function of ambient temperature

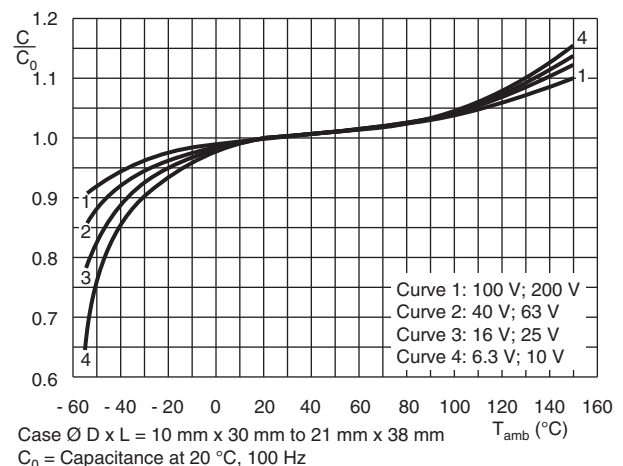


Fig. 6 - Typical multiplier of capacitance as a function of ambient temperature



Fig. 7 - Typical multiplier of capacitance as a function of frequency



Fig. 8 - Typical multiplier of capacitance as a function of frequency

**EQUIVALENT SERIES RESISTANCE (ESR)**



Fig. 9 - Typical multiplier of ESR as a function of ambient temperature



Fig. 10 - Typical multiplier of ESR as a function of ambient temperature

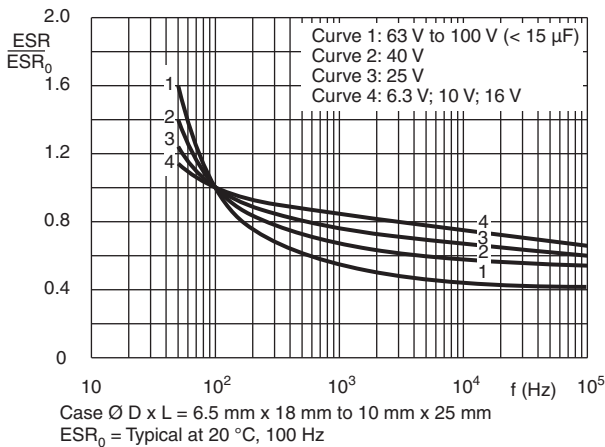


Fig. 11 - Typical multiplier of ESR as a function of frequency



Fig. 12 - Typical multiplier of ESR as a function of frequency



**IMPEDANCE (Z)**



Fig. 13 - Typical impedance as a function of frequency



Fig. 14 - Typical impedance as a function of frequency



Fig. 15 - Typical impedance as a function of frequency



Fig. 16 - Typical impedance as a function of frequency



Fig. 17 - Typical impedance as a function of frequency



Fig. 18 - Typical impedance as a function of frequency



**RIPPLE CURRENT AND USEFUL LIFE**

MBC242



Fig. 19 - Multiplier of useful life as a function of ambient temperature and ripple current load

**Table 4**

| <b>MULTIPLIER OF RIPPLE CURRENT (<math>I_R</math>) AS A FUNCTION OF FREQUENCY</b> |  |   |   |
|---|--|---|---|
| <b>FREQUENCY (Hz)</b>   | <b><math>I_R</math> MULTIPLIER</b>                       |   |   |
|   | <b><math>U_R = 6.3 \text{ V TO } 25 \text{ V}</math></b> | <b><math>U_R = 40 \text{ V TO } 63 \text{ V}</math></b> | <b><math>U_R = 100 \text{ V TO } 200 \text{ V}</math></b> |
| 50  | 0.95   | 0.90  | 0.85  |
| 100   | 1.00   | 1.00  | 1.00  |
| 300   | 1.07   | 1.12  | 1.20  |
| 1000  | 1.12   | 1.20  | 1.30  |
| 3000  | 1.15   | 1.25  | 1.35  |
| $\geq 10\ 000$  | 1.20   | 1.30  | 1.40  |

Table 5

| <b>TEST PROCEDURES AND REQUIREMENTS</b>        |  |   |   |
|--|--|---|---|
| <b>TEST</b>                                    |  | <b>PROCEDURE<br/>(quick reference)</b>  | <b>REQUIREMENTS</b>   |
| <b>NAME OF TEST</b>                            | <b>REFERENCE</b>                           |   |   |
| Endurance                                      | IEC 60384-4/<br>EN130300<br>subclause 4.13 | $T_{amb} = 125\text{ }^{\circ}\text{C}$ ; $U_R$ applied;<br>Case sizes:<br>6.5 mm x 18 mm to 10 mm x 25 mm: 2000 h;<br>10 mm x 30 mm to 21 mm x 38 mm: 3000 h   | $U_R \leq 6.3\text{ V}$ ; $\Delta C/C$ : + 15 %/- 30 %<br>$U_R > 6.3\text{ V}$ ; $\Delta C/C$ : $\pm 15\%$<br>$\tan \delta \leq 1.3 \times \text{spec. limit}$<br>$Z \leq 2 \times \text{spec. limit}$<br>$I_{L5} \leq \text{spec. limit}$  |
| Useful life                                    | CECC 30301<br>subclause 1.8.1              | $T_{amb} = 125\text{ }^{\circ}\text{C}$ ; $U_R$ and $I_R$ applied;<br>Case $\emptyset D \times L = 6.5\text{ mm} \times 18\text{ mm}$ to $10\text{ mm} \times 25\text{ mm}$ :<br>4000 h<br>Case $\emptyset D \times L = 10\text{ mm} \times 30\text{ mm}$ to $21\text{ mm} \times 38\text{ mm}$ :<br>8000 h | $U_R \leq 6.3\text{ V}$ ; $\Delta C/C$ : + 45 %/- 50 %<br>$U_R > 6.3\text{ V}$ ; $\Delta C/C$ : $\pm 45\%$<br>$\tan \delta \leq 3 \times \text{spec. limit}$<br>$Z \leq 3 \times \text{spec. limit}$<br>$I_{L5} \leq \text{spec. limit}$<br>no short or open circuit<br>total failure percentage: $\leq 1\%$<br>(200 V $\leq 3\%$ ) |
| Shelf life<br>(storage at high<br>temperature) | IEC 60384-4/<br>EN130300<br>subclause 4.17 | $T_{amb} = 125\text{ }^{\circ}\text{C}$ ; no voltage applied;<br>$U_R = 6.3\text{ V}$ to $63\text{ V}$ : 500 h;<br>$U_R = 100\text{ V}$ and $200\text{ V}$ : 100 h<br>After test: $U_R$ to be applied for 30 min,<br>24 h to 48 h before measurement  | $\Delta C/C$ , $\tan \delta$ , $Z$ :<br>For requirements<br>see "Endurance test" above<br>$I_{L5} \leq 2 \times \text{spec. limit}$   |
| Reverse voltage                                | IEC 60384-4/<br>EN130300<br>subclause 4.15 | $T_{amb} = 125\text{ }^{\circ}\text{C}$ :<br>125 h at $U = -1\text{ V}$<br>followed by 125 h at $U_R$   | $\Delta C/C$ : $\pm 20\%$<br>$\tan \delta \leq \text{spec. limit}$<br>$I_{L5} \leq \text{spec. limit}$  |



## Disclaimer

ALL PRODUCT, PRODUCT SPECIFICATIONS AND DATA ARE SUBJECT TO CHANGE WITHOUT NOTICE TO IMPROVE RELIABILITY, FUNCTION OR DESIGN OR OTHERWISE.

Vishay Intertechnology, Inc., its affiliates, agents, and employees, and all persons acting on its or their behalf (collectively, "Vishay"), disclaim any and all liability for any errors, inaccuracies or incompleteness contained in any datasheet or in any other disclosure relating to any product.

Vishay makes no warranty, representation or guarantee regarding the suitability of the products for any particular purpose or the continuing production of any product. To the maximum extent permitted by applicable law, Vishay disclaims (i) any and all liability arising out of the application or use of any product, (ii) any and all liability, including without limitation special, consequential or incidental damages, and (iii) any and all implied warranties, including warranties of fitness for particular purpose, non-infringement and merchantability.

Statements regarding the suitability of products for certain types of applications are based on Vishay's knowledge of typical requirements that are often placed on Vishay products in generic applications. Such statements are not binding statements about the suitability of products for a particular application. It is the customer's responsibility to validate that a particular product with the properties described in the product specification is suitable for use in a particular application. Parameters provided in datasheets and/or specifications may vary in different applications and performance may vary over time. All operating parameters, including typical parameters, must be validated for each customer application by the customer's technical experts. Product specifications do not expand or otherwise modify Vishay's terms and conditions of purchase, including but not limited to the warranty expressed therein.

Except as expressly indicated in writing, Vishay products are not designed for use in medical, life-saving, or life-sustaining applications or for any other application in which the failure of the Vishay product could result in personal injury or death. Customers using or selling Vishay products not expressly indicated for use in such applications do so at their own risk. Please contact authorized Vishay personnel to obtain written terms and conditions regarding products designed for such applications.

No license, express or implied, by estoppel or otherwise, to any intellectual property rights is granted by this document or by any conduct of Vishay. Product names and markings noted herein may be trademarks of their respective owners.

## Material Category Policy

**Vishay Intertechnology, Inc. hereby certifies that all its products that are identified as RoHS-Compliant fulfill the definitions and restrictions defined under Directive 2011/65/EU of The European Parliament and of the Council of June 8, 2011 on the restriction of the use of certain hazardous substances in electrical and electronic equipment (EEE) - recast, unless otherwise specified as non-compliant.**

**Please note that some Vishay documentation may still make reference to RoHS Directive 2002/95/EC. We confirm that all the products identified as being compliant to Directive 2002/95/EC conform to Directive 2011/65/EU.**

**Vishay Intertechnology, Inc. hereby certifies that all its products that are identified as Halogen-Free follow Halogen-Free requirements as per JEDEC JS709A standards. Please note that some Vishay documentation may still make reference to the IEC 61249-2-21 definition. We confirm that all the products identified as being compliant to IEC 61249-2-21 conform to JEDEC JS709A standards.**



## Стандарт Электрон Связь

Мы молодая и активно развивающаяся компания в области поставок электронных компонентов. Мы поставляем электронные компоненты отечественного и импортного производства напрямую от производителей и с крупнейших складов мира.

Благодаря сотрудничеству с мировыми поставщиками мы осуществляем комплексные и плановые поставки широчайшего спектра электронных компонентов.

Собственная эффективная логистика и склад в обеспечивает надежную поставку продукции в точно указанные сроки по всей России.

Мы осуществляем техническую поддержку нашим клиентам и предпродажную проверку качества продукции. На все поставляемые продукты мы предоставляем гарантию .

Осуществляем поставки продукции под контролем ВП МО РФ на предприятия военно-промышленного комплекса России , а также работаем в рамках 275 ФЗ с открытием отдельных счетов в уполномоченном банке. Система менеджмента качества компании соответствует требованиям ГОСТ ISO 9001.

Минимальные сроки поставки, гибкие цены, неограниченный ассортимент и индивидуальный подход к клиентам являются основой для выстраивания долгосрочного и эффективного сотрудничества с предприятиями радиоэлектронной промышленности, предприятиями ВПК и научно-исследовательскими институтами России.

С нами вы становитесь еще успешнее!

### Наши контакты:

**Телефон:** +7 812 627 14 35

**Электронная почта:** [sales@st-electron.ru](mailto:sales@st-electron.ru)

**Адрес:** 198099, Санкт-Петербург,  
Промышленная ул, дом № 19, литера Н,  
помещение 100-Н Офис 331