

## 0.3 $\Omega$ , Low Voltage Dual SPDT Analog Switches

### DESCRIPTION

The DG2535E and DG2733E are low voltage, low on-resistance, dual single-pole/double-throw (SPDT) monolithic CMOS analog switches designed for high performance switching of analog signals. Combining low-power, high speed, low on-resistance, and small package size, the DG2535E and DG2733E are ideal for portable and battery powered applications.

The DG2535E and DG2733E have an operation range from 1.65 V to 5.5 V single supply. The DG2535E has two separate control pins for independent control of the two SPDT switches. The DG2733E has an EN pin to enable the device when the logic is high.

The DG2535E and DG2733E have guaranteed 1.65 V logic compatible, allowing easy interface with low voltage DSP or MCU control logic.

The switches conduct signals within the power rails equally well in both directions when on, and blocks up to the power supply level when off. Break-before-make is guaranteed.

The DG2535E and DG2733E are built on Vishay Siliconix's sub micron CMOS low voltage process technology and provide greater than 400 mA latch-up protection, as tested per JESD78A.

The DG2535E and DG2733E are available in lead (Pb)-free 10-lead DFN and SOIC packages.

### FEATURES

- 1.65 V to 5.5 V single power operation
- 0.3  $\Omega$  typ. switch on resistance at  $V_+ = 5$  V
- Fast switching:  
 $t_{ON} = 55$  ns at 2.7 V,  $t_{OFF} = 15$  ns at 2.7 V
- Latch-up current > 400 mA (JESD78)
- Material categorization: for definitions of compliance please see [www.vishay.com/doc?99912](http://www.vishay.com/doc?99912)



**RoHS**  
COMPLIANT  
HALOGEN  
**FREE**

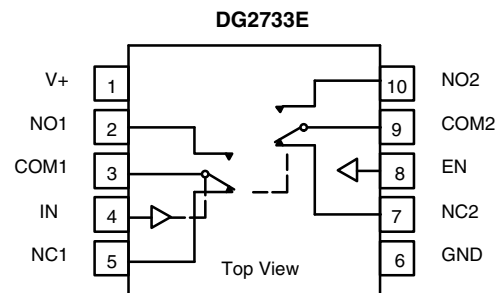
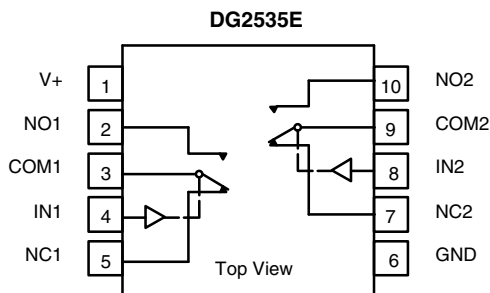
### BENEFITS

- Low switch resistance
- Low voltage logic compatible
- Wide operation voltage range
- Fast switching time

### APPLICATIONS

- Audio and video signal routing
- Battery operated systems
- Relay replacement
- Automatic test equipment
- Process control and automation
- Data acquisition systems
- Meters and instruments
- Medical and healthcare systems
- PCMCIA cards
- Communication systems

### FUNCTIONAL BLOCK DIAGRAM AND PIN CONFIGURATION



**TRUTH TABLE DG2535E**

| IN1, IN2 | NC1, NC2 | NO1, NO2 |
|----------|----------|----------|
| 0        | ON       | OFF      |
| 1        | OFF      | ON       |

**TRUTH TABLE DG2733E**

| IN | EN | NC1, NC2 | NO1, NO2 |
|----|----|----------|----------|
| 0  | 1  | ON       | OFF      |
| 1  | 1  | OFF      | ON       |
| 0  | 0  | OFF      | OFF      |
| 1  | 0  | OFF      | OFF      |



| ORDERING INFORMATION |         |                  |
|----------------------|---------|------------------|
| TEMP. RANGE          | PACKAGE | PART NUMBER      |
| -40 °C to +85 °C     | MSOP10  | DG2535EDQ-T1-GE3 |
|                      |         | DG2733EDQ-T1-GE3 |
|                      | DFN-10  | DG2535EDN-T1-GE4 |
|                      |         | DG2733EDN-T1-GE4 |

| ABSOLUTE MAXIMUM RATINGS (T <sub>A</sub> = 25 °C, unless otherwise noted) |                              |                             |                      |      |
|---|------------------------------|-----------------------------|----------------------|------|
| PARAMETER   |                              | SYMBOL                      | LIMIT                | UNIT |
| Reference to GND  | V+                           |                             | -0.3 V to +6 V       | V    |
|   | IN, COM, NC, NO <sup>a</sup> |                             | -0.3 V to (V+ + 0.3) |      |
| Current (any terminal except NO, NC or COM)                               |                              |                             | 30                   | mA   |
| Continuous current (NO, NC, or COM)                                       |                              |                             | ± 300                |      |
| Peak current (pulsed at 1 ms, 10 % duty cycle)                            |                              |                             | ± 500                |      |
| Storage temperature (D suffix)  |                              |                             | -65 to +150          | °C   |
| Power dissipation (packages) <sup>b</sup>                                 | miniQFN10 <sup>c</sup>       |                             | 208                  | mW   |
| Latch up current  |                              | JESD78A                     | > 400                | mA   |
| ESD - HBM   |                              | ANSI / ESDA / JEDEC® JS-001 | > 5000               | V    |
| ESD - CDM   |                              | JESD22-C101                 | > 1000               |      |
| ESD - MM  |                              | JESD22-A115                 | > 200                |      |

Notes

- a. Signals on NC, NO, or COM or IN exceeding V+ will be clamped by internal diodes. Limit forward diode current to maximum current ratings.
- b. All leads welded or soldered to PC board.
- c. Derate 4 mW/C above 70 °C.

Stresses beyond those listed under "Absolute Maximum Ratings" may cause permanent damage to the device. These are stress ratings only, and functional operation of the device at these or any other conditions beyond those indicated in the operational sections of the specifications is not implied. Exposure to absolute maximum rating conditions for extended periods may affect device reliability.

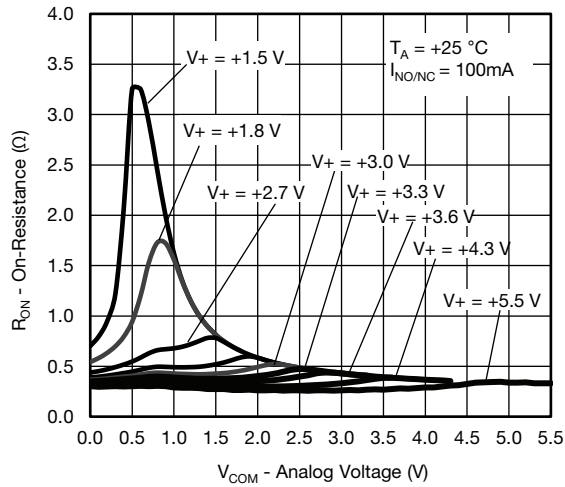


| SPECIFICATIONS  |                                      |  |   |                            |                   |                   |               |   |     |   |
|---|--------------------------------------|--|---|----------------------------|-------------------|-------------------|---------------|---|-----|---|
| PARAMETER   | SYMBOL                               | TEST CONDITIONS<br>UNLESS OTHERWISE SPECIFIED<br>$V_+ = 3\text{ V}, \pm 10\%, V_{IN} = 0.4\text{ V or }1.65\text{ V}^e$  | TEMP. <sup>a</sup>  | LIMITS<br>-40 °C to +85 °C |                   |                   | UNIT          |   |     |   |
|   |                                      |  |   | MIN. <sup>b</sup>          | TYP. <sup>c</sup> | MAX. <sup>b</sup> |               |   |     |   |
| <b>Analog Switch</b>  |                                      |  |   |                            |                   |                   |               |   |     |   |
| Analog signal range <sup>d</sup>  | $V_{\text{analog}}$                  | $R_{\text{DS(on)}}$  | Full  | 0                          | -                 | $V_+$             | V             |   |     |   |
| On-resistance   | $R_{\text{DS(on)}}$                  | $V_+ = 2.7\text{ V}, I_{\text{NO/NC}} = 100\text{ mA}, V_{\text{COM}} = 0.5\text{ V}$  | Room  | -                          | 0.5               | 0.7               | $\Omega$      |   |     |   |
|   |                                      | $V_+ = 2.7\text{ V}, I_{\text{NO/NC}} = 100\text{ mA}, V_{\text{COM}} = 1.5\text{ V}$  | Room  | -                          | 0.5               | 0.7               |               |   |     |   |
|   |                                      | $V_+ = 2.7\text{ V}, I_{\text{NO/NC}} = 100\text{ mA}, V_{\text{COM}} = 0.5\text{ V}$  | Full  | -                          | 0.6               | -                 |               |   |     |   |
|   |                                      | $V_+ = 2.7\text{ V}, I_{\text{NO/NC}} = 100\text{ mA}, V_{\text{COM}} = 1.5\text{ V}$  | Full  | -                          | 0.6               | -                 |               |   |     |   |
|   |                                      | $V_+ = 5.5\text{ V}, I_{\text{NO/NC}} = 100\text{ mA}, V_{\text{COM}} = 0.9\text{ V}$  | Room  | -                          | 0.3               | 0.5               |               |   |     |   |
|   |                                      | $V_+ = 5.5\text{ V}, I_{\text{NO/NC}} = 100\text{ mA}, V_{\text{COM}} = 2.5\text{ V}$  | Room  | -                          | 0.25              | 0.5               |               |   |     |   |
|   |                                      | $V_+ = 5.5\text{ V}, I_{\text{NO/NC}} = 100\text{ mA}, V_{\text{COM}} = 0.9\text{ V}$  | Full  | -                          | 0.4               | -                 |               |   |     |   |
| $V_+ = 5.5\text{ V}, I_{\text{NO/NC}} = 100\text{ mA}, V_{\text{COM}} = 2.5\text{ V}$ | Full                                 | -  | 0.4   | -                          |                   |                   |               |   |     |   |
| $R_{\text{ON}}$ match <sup>d</sup>  | $\Delta R_{\text{ON}}$               | $V_+ = 2.7\text{ V}, I_{\text{NO/NC}} = 100\text{ mA}, V_{\text{COM}} = 0.5\text{ V}, 1.5\text{ V}$<br>$V_+ = 5.5\text{ V}, I_{\text{NO/NC}} = 100\text{ mA}, V_{\text{COM}} = 0.9\text{ V}, 2.5\text{ V}$ | Room  | -                          | 0.06              | 0.08              |               |   |     |   |
| $R_{\text{ON}}$ resistance flatness <sup>d</sup>                                      | $R_{\text{ON}}$ flatness             | $V_+ = 2.7\text{ V}, I_{\text{NO/NC}} = 100\text{ mA}, V_{\text{COM}} = 0.5\text{ V}, 1.5\text{ V}$  | Room  | -                          | -                 | 0.15              |               |   |     |   |
| Switch off leakage current  | $I_{\text{NO/NC(off)}}$              | $V_+ = 5\text{ V}, V_{\text{NO/NC}} = 0.5\text{ V} / 4.5\text{ V}, V_{\text{COM}} = 4.5\text{ V} / 0.5\text{ V}$   | Room  | -8                         | -                 | 8                 | nA            |   |     |   |
|   | $I_{\text{COM(off)}}$                |  | Full  | -50                        | -                 | 50                |               |   |     |   |
|   |                                      |  | Room  | -8                         | -                 | 8                 |               |   |     |   |
|   | Full                                 |  | -50   | -                          | 50                |                   |               |   |     |   |
| Channel-on leakage current  | $I_{\text{COM(on)}}$                 | $V_+ = 5\text{ V}, V_{\text{NO/NC}} = V_{\text{COM}} = 4.5\text{ V} / 0.5\text{ V}$  | Room  | -10                        | -                 | 10                | nA            |   |     |   |
|   |                                      |  | Full  | -50                        | -                 | 50                |               |   |     |   |
| <b>Digital Control</b>  |                                      |  |   |                            |                   |                   |               |   |     |   |
| Input high voltage  | $V_{\text{INH}}$                     | $V_+ = 3\text{ V}$   | Full  | 1.65                       | -                 | -                 | V             |   |     |   |
| Input low voltage   | $V_{\text{INL}}$                     |  | Full  | -                          | -                 | 0.4               |               |   |     |   |
| Input high voltage  | $V_{\text{INH}}$                     | $V_+ = 5\text{ V}$   | Full  | 1.8                        | -                 | -                 |               |   |     |   |
| Input low voltage   | $V_{\text{INL}}$                     |  | Full  | -                          | -                 | 0.6               |               |   |     |   |
| Input capacitance   | $C_{\text{IN}}$                      |  | Full  | -                          | 6                 | -                 | pF            |   |     |   |
| Input current   | $I_{\text{INL}}$ or $I_{\text{INH}}$ | $V_{\text{IN}} = 0$ or $V_+$   | Full  | -1                         | -                 | 1                 | $\mu\text{A}$ |   |     |   |
| <b>Dynamic Characteristics</b>  |                                      |  |   |                            |                   |                   |               |   |     |   |
| Break-Before-Make time <sup>e</sup>   | $t_{\text{BBM}}$                     | $V_+ = 3.6\text{ V}, V_{\text{NO}}, V_{\text{NC}} = 1.5\text{ V}, R_{\text{L}} = 50\ \Omega, C_{\text{L}} = 35\text{ pF}$  | Room  | 1                          | 15                | -                 | ns            |   |     |   |
| Turn-on time <sup>e</sup>   | $t_{\text{ON}}$                      |  | Room  | -                          | 28                | 78                |               |   |     |   |
|   |                                      |  | Full  | -                          | -                 | 80                |               |   |     |   |
| Turn-off time <sup>e</sup>  | $t_{\text{OFF}}$                     |  | Room  | -                          | 13                | 58                |               |   |     |   |
|   |                                      |  | Full  | -                          | -                 | 60                |               |   |     |   |
| Off-isolation <sup>d</sup>  | OIRR                                 |  | $R_{\text{L}} = 50\ \Omega, C_{\text{L}} = 5\text{ pF}, f = 100\text{ kHz}$ | Room                       | -                 | -70               |               | - | dB  |   |
| Crosstalk <sup>d</sup>  | $X_{\text{TALK}}$                    | Room   |   | -                          | -90               | -                 |               |   |     |   |
| 3 dB bandwidth <sup>d</sup>   |                                      | $R_{\text{L}} = 50\ \Omega, C_{\text{L}} = 5\text{ pF}$  | Room  | -                          | 120               | -                 | MHz           |   |     |   |
| NO, NC off capacitance <sup>d</sup>   | $C_{\text{NO(off)}}$                 | $V_{\text{IN}} = 0\text{ V}, \text{ or } V_+, f = 1\text{ MHz}$  | Room  | -                          | 40                | -                 | pF            |   |     |   |
|   | $C_{\text{NC(off)}}$                 |  |   | -                          | 40                | -                 |               |   |     |   |
| Channel on capacitance <sup>d</sup>   | $C_{\text{NO(on)}}$                  |  |   | -                          | 120               | -                 |               |   |     |   |
|   | $C_{\text{NC(on)}}$                  |  |   | -                          | 120               | -                 |               |   |     |   |
| <b>Power Supply</b>   |                                      |  |   |                            |                   |                   |               |   |     |   |
| Power supply range  | $V_+$                                |  |   |                            | -                 | 1.65              |               | - | 5.5 | V |
| Power supply current  | $I_+$                                | $V_{\text{IN}} = 0$ or $V_+$   | Full  | -                          | -                 | 1                 | $\mu\text{A}$ |   |     |   |

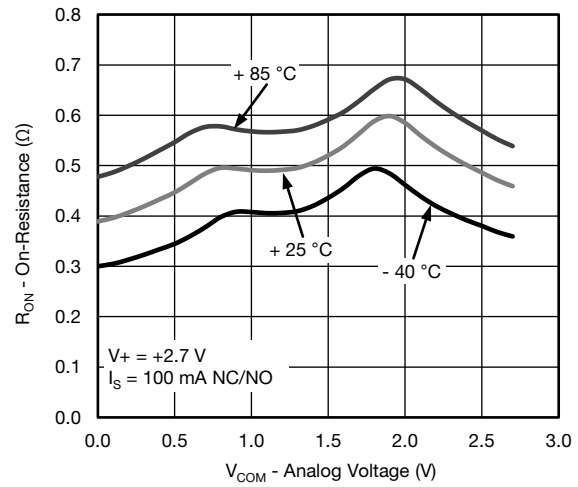
**Notes**

- a. Room = 25 °C, Full = as determined by the operating suffix.
- b. The algebraic convention whereby the most negative value is a minimum and the most positive a maximum, is used in this datasheet.
- c. Typical values are for design aid only, not guaranteed nor subject to production testing.
- d. Guarantee by design, not subjected to production test.
- e.  $V_{\text{IN}}$  = input voltage to perform proper function.

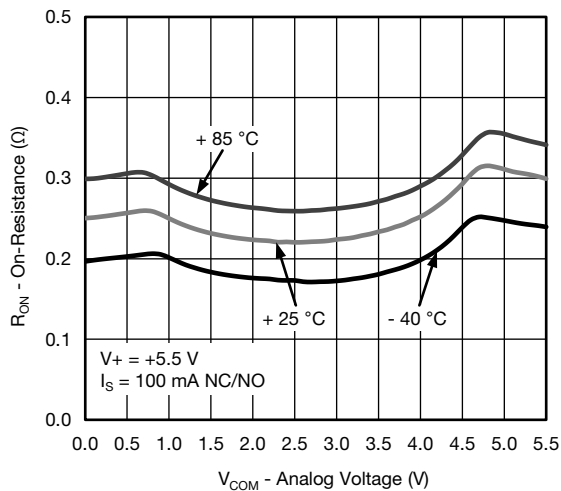
**TYPICAL CHARACTERISTICS** ( $T_A = 25\text{ }^\circ\text{C}$ , unless otherwise noted)



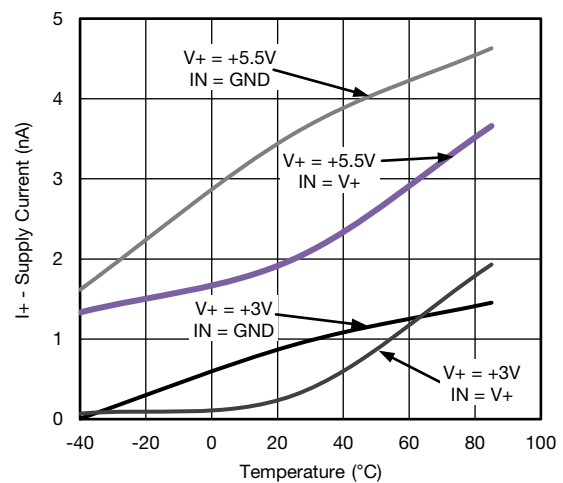
**RON vs. VCOM and Supply Voltage**



**RON vs. Analog Voltage and Temperature**



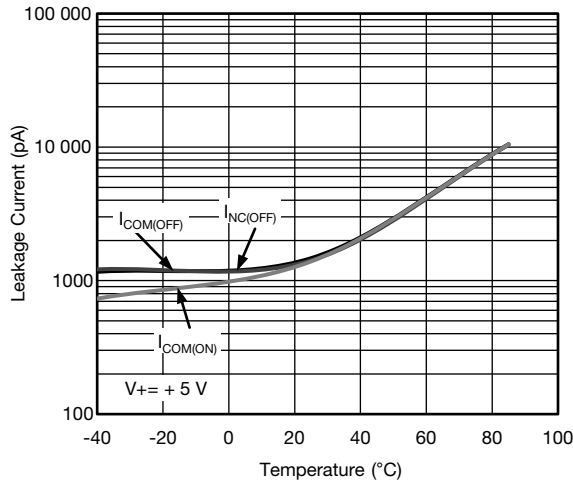
**RON vs. Analog Voltage and Temperature**



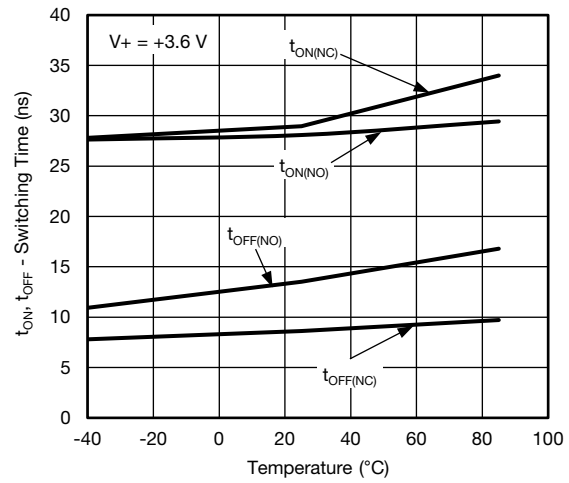
**Supply Current vs. Temperature**



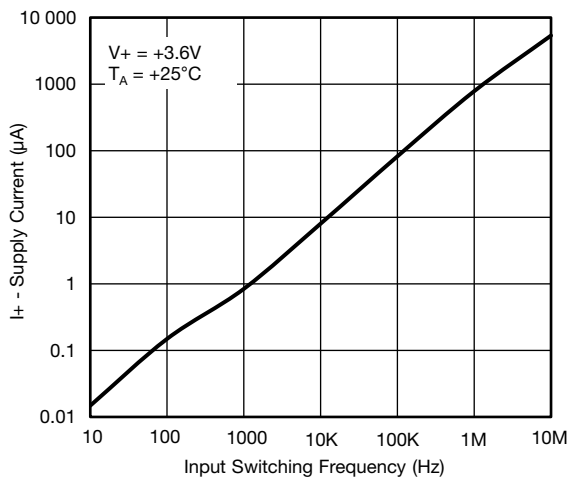
TYPICAL CHARACTERISTICS (T<sub>A</sub> = 25 °C, unless otherwise noted)



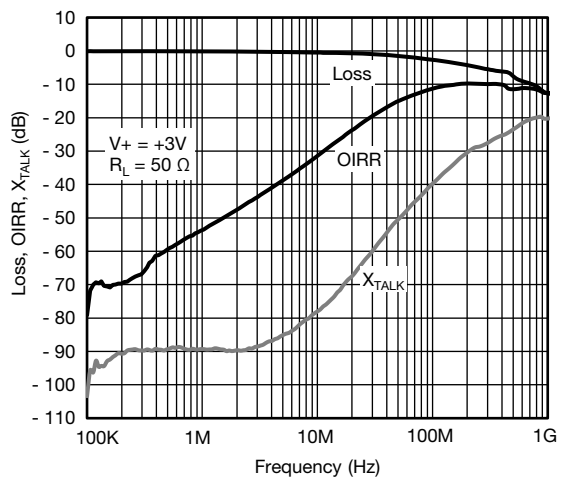
Leakage Current vs. Temperature



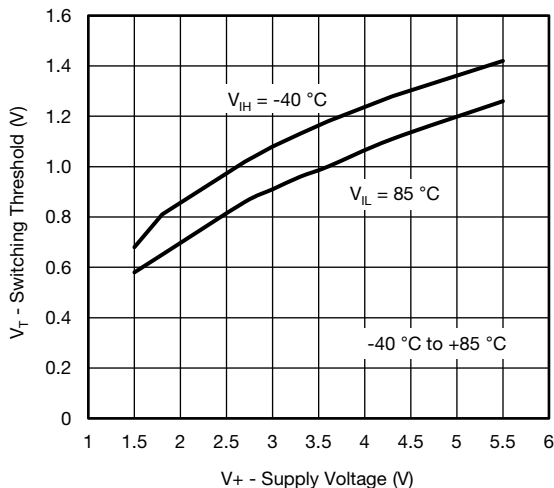
Switching Time vs. Temperature



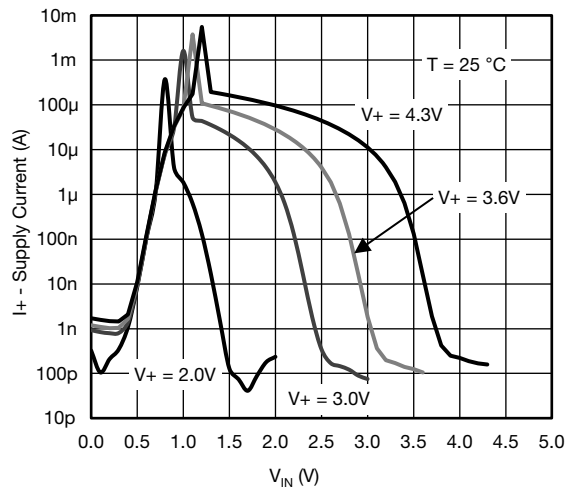
Supply Current vs. Switching Frequency



Insertion Loss, Off-Isolation Crosstalk vs. Frequency

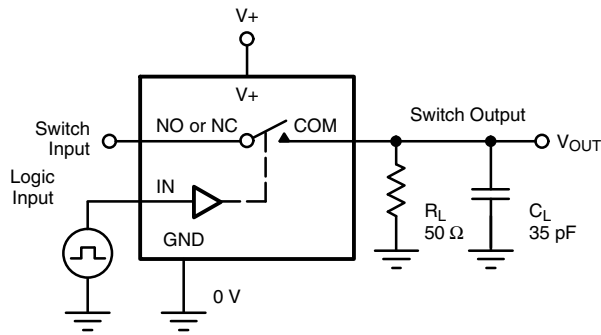


Switching Threshold vs. Supply Voltage



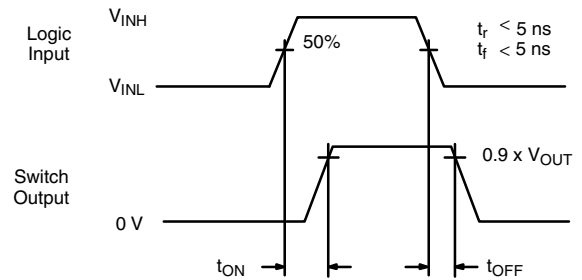
Supply Current vs. V<sub>IN</sub>

**TEST CIRCUITS**



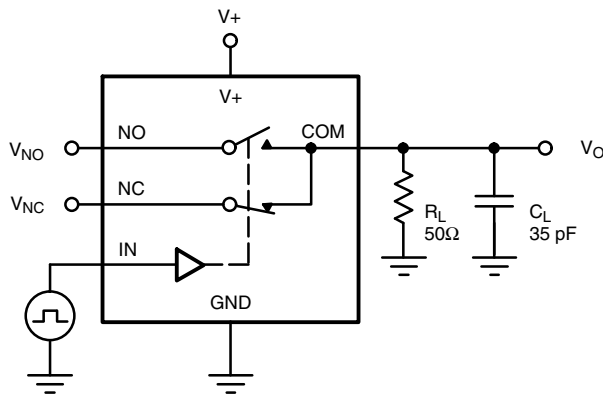
$C_L$  (includes fixture and stray capacitance)

$$V_{OUT} = V_{COM} \left( \frac{R_L}{R_L + R_{ON}} \right)$$

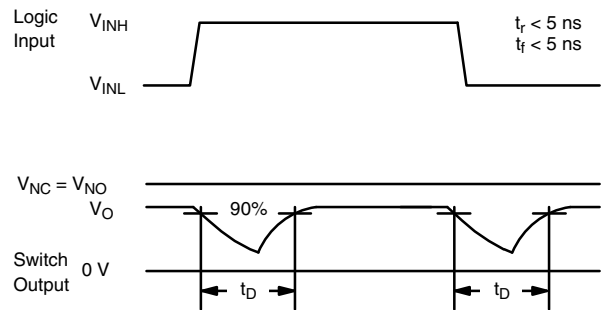


Logic "1" = Switch On  
Logic input waveforms inverted for switches that have the opposite logic sense.

**Fig. 1 - Switching Time**

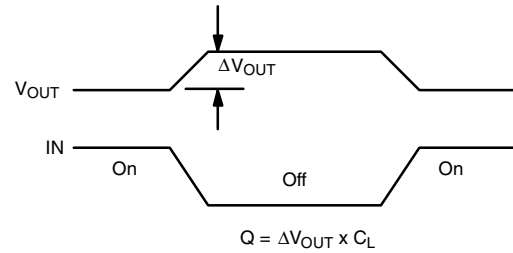
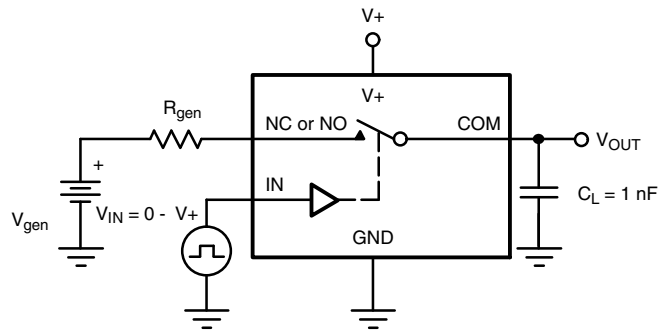


$C_L$  (includes fixture and stray capacitance)



**Fig. 2 - Break-Before-Make Interval**

TEST CIRCUITS



IN depends on switch configuration: input polarity determined by sense of switch.

Fig. 3 - Charge Injection

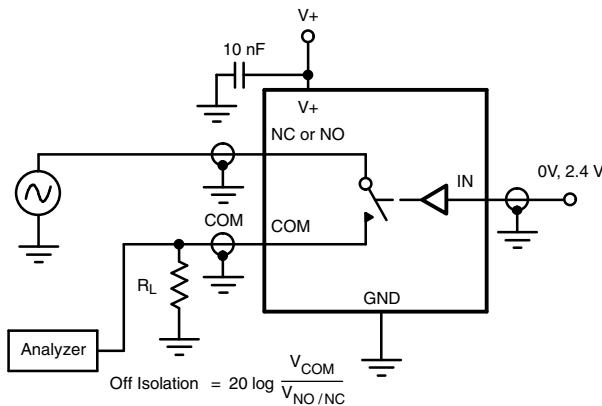


Fig. 4 - Off-Isolation

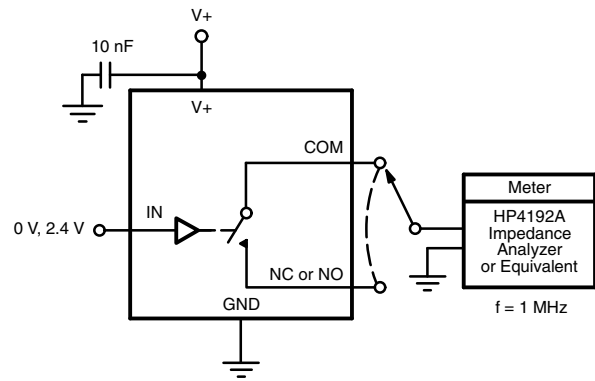


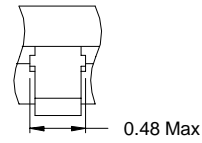
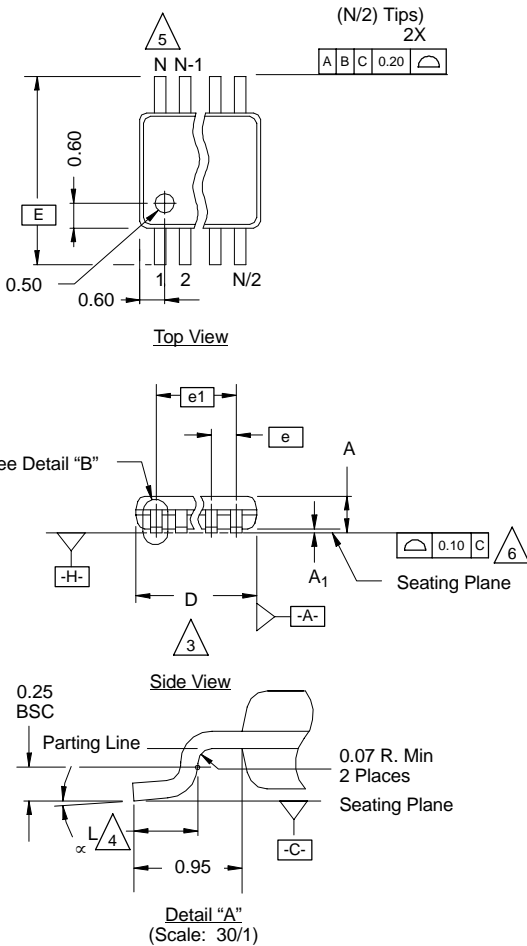
Fig. 5 - Channel Off/On Capacitance

Vishay Siliconix maintains worldwide manufacturing capability. Products may be manufactured at one of several qualified locations. Reliability data for Silicon Technology and Package Reliability represent a composite of all qualified locations. For related documents such as package/tape drawings, part marking, and reliability data, see [www.vishay.com/ppg?75646](http://www.vishay.com/ppg?75646).

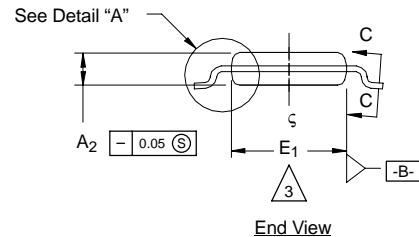
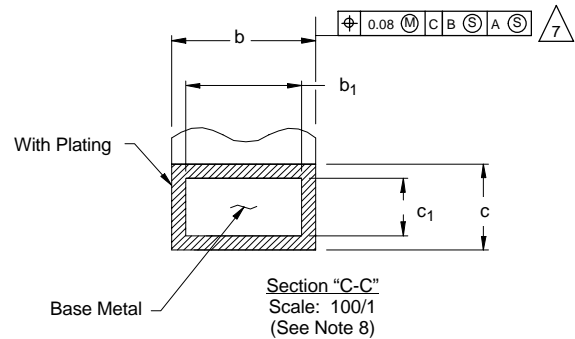


**MSOP: 10-LEADS**

JEDEC Part Number: MO-187, (Variation AA and BA)



Detail "B"  
(Scale: 30/1)  
Dambar Protrusion



NOTES:

- Die thickness allowable is  $0.203 \pm 0.0127$ .
- Dimensioning and tolerances per ANSI.Y14.5M-1994.
- Dimensions "D" and "E<sub>1</sub>" do not include mold flash or protrusions, and are measured at Datum plane [-H-], mold flash or protrusions shall not exceed 0.15 mm per side.
- Dimension is the length of terminal for soldering to a substrate.
- Terminal positions are shown for reference only.
- Formed leads shall be planar with respect to one another within 0.10 mm at seating plane.
- The lead width dimension does not include Dambar protrusion. Allowable Dambar protrusion shall be 0.08 mm total in excess of the lead width dimension at maximum material condition. Dambar cannot be located on the lower radius or the lead foot. Minimum space between protrusions and an adjacent lead to be 0.14 mm. See detail "B" and Section "C-C".
- Section "C-C" to be determined at 0.10 mm to 0.25 mm from the lead tip.
- Controlling dimension: millimeters.
- This part is compliant with JEDEC registration MO-187, variation AA and BA.
- Datums [-A-] and [-B-] to be determined Datum plane [-H-].
- Exposed pad area in bottom side is the same as teh leadframe pad size.

**N = 10L**

| Dim   | MILLIMETERS |      |      | Note |
|---|-------------|------|------|------|
|   | Min         | Nom  | Max  |      |
| A   | -           | -    | 1.10 |      |
| A <sub>1</sub>                              | 0.05        | 0.10 | 0.15 |      |
| A <sub>2</sub>                              | 0.75        | 0.85 | 0.95 |      |
| b   | 0.17        | -    | 0.27 | 8    |
| b <sub>1</sub>                              | 0.17        | 0.20 | 0.23 | 8    |
| c   | 0.13        | -    | 0.23 |      |
| c <sub>1</sub>                              | 0.13        | 0.15 | 0.18 |      |
| D   | 3.00 BSC    |      |      | 3    |
| E   | 4.90 BSC    |      |      |      |
| E <sub>1</sub>                              | 2.90        | 3.00 | 3.10 | 3    |
| e   | 0.50 BSC    |      |      |      |
| e <sub>1</sub>                              | 2.00 BSC    |      |      |      |
| L   | 0.40        | 0.55 | 0.70 | 4    |
| N   | 10          |      |      | 5    |
| α   | 0°          | 4°   | 6°   |      |
| ECN: T-02080—Rev. C, 15-Jul-02<br>DWG: 5867 |             |      |      |      |



### DFN-10 LEAD (3 X 3)



**NOTES:**

- All dimensions are in millimeters and inches.
- N is the total number of terminals.
- Dimension b applies to metallized terminal and is measured between 0.15 and 0.30 mm from terminal tip.
- Coplanarity applies to the exposed heat sink slug as well as the terminal.
- The pin #1 identifier may be either a mold or marked feature, it must be located within the zone indicated.

| Dim | MILLIMETERS |      |      | INCHES    |       |       |
|-----|-------------|------|------|-----------|-------|-------|
|     | Min         | Nom  | Max  | Min       | Nom   | Max   |
| A   | 0.80        | 0.90 | 1.00 | 0.031     | 0.035 | 0.039 |
| A1  | 0.00        | 0.02 | 0.05 | 0.000     | 0.001 | 0.002 |
| A3  | 0.20 BSC    |      |      | 0.008 BSC |       |       |
| b   | 0.18        | 0.23 | 0.30 | 0.007     | 0.009 | 0.012 |
| D   | 3.00 BSC    |      |      | 0.118 BSC |       |       |
| D2  | 2.20        | 2.38 | 2.48 | 0.087     | 0.094 | 0.098 |
| E   | 3.00 BSC    |      |      | 0.118 BSC |       |       |
| E2  | 1.49        | 1.64 | 1.74 | 0.059     | 0.065 | 0.069 |
| e   | 0.50 BSC    |      |      | 0.020 BSC |       |       |
| L   | 0.30        | 0.40 | 0.50 | 0.012     | 0.016 | 0.020 |

\*Use millimeters as the primary measurement.  
 ECN: S-42134—Rev. A, 29-Nov-04  
 DWG: 5943



## **Disclaimer**

ALL PRODUCT, PRODUCT SPECIFICATIONS AND DATA ARE SUBJECT TO CHANGE WITHOUT NOTICE TO IMPROVE RELIABILITY, FUNCTION OR DESIGN OR OTHERWISE.

Vishay Intertechnology, Inc., its affiliates, agents, and employees, and all persons acting on its or their behalf (collectively, "Vishay"), disclaim any and all liability for any errors, inaccuracies or incompleteness contained in any datasheet or in any other disclosure relating to any product.

Vishay makes no warranty, representation or guarantee regarding the suitability of the products for any particular purpose or the continuing production of any product. To the maximum extent permitted by applicable law, Vishay disclaims (i) any and all liability arising out of the application or use of any product, (ii) any and all liability, including without limitation special, consequential or incidental damages, and (iii) any and all implied warranties, including warranties of fitness for particular purpose, non-infringement and merchantability.

Statements regarding the suitability of products for certain types of applications are based on Vishay's knowledge of typical requirements that are often placed on Vishay products in generic applications. Such statements are not binding statements about the suitability of products for a particular application. It is the customer's responsibility to validate that a particular product with the properties described in the product specification is suitable for use in a particular application. Parameters provided in datasheets and / or specifications may vary in different applications and performance may vary over time. All operating parameters, including typical parameters, must be validated for each customer application by the customer's technical experts. Product specifications do not expand or otherwise modify Vishay's terms and conditions of purchase, including but not limited to the warranty expressed therein.

Except as expressly indicated in writing, Vishay products are not designed for use in medical, life-saving, or life-sustaining applications or for any other application in which the failure of the Vishay product could result in personal injury or death. Customers using or selling Vishay products not expressly indicated for use in such applications do so at their own risk. Please contact authorized Vishay personnel to obtain written terms and conditions regarding products designed for such applications.

No license, express or implied, by estoppel or otherwise, to any intellectual property rights is granted by this document or by any conduct of Vishay. Product names and markings noted herein may be trademarks of their respective owners.



## Стандарт Электрон Связь

Мы молодая и активно развивающаяся компания в области поставок электронных компонентов. Мы поставляем электронные компоненты отечественного и импортного производства напрямую от производителей и с крупнейших складов мира.

Благодаря сотрудничеству с мировыми поставщиками мы осуществляем комплексные и плановые поставки широчайшего спектра электронных компонентов.

Собственная эффективная логистика и склад в обеспечивает надежную поставку продукции в точно указанные сроки по всей России.

Мы осуществляем техническую поддержку нашим клиентам и предпродажную проверку качества продукции. На все поставляемые продукты мы предоставляем гарантию .

Осуществляем поставки продукции под контролем ВП МО РФ на предприятия военно-промышленного комплекса России , а также работаем в рамках 275 ФЗ с открытием отдельных счетов в уполномоченном банке. Система менеджмента качества компании соответствует требованиям ГОСТ ISO 9001.

Минимальные сроки поставки, гибкие цены, неограниченный ассортимент и индивидуальный подход к клиентам являются основой для выстраивания долгосрочного и эффективного сотрудничества с предприятиями радиоэлектронной промышленности, предприятиями ВПК и научно-исследовательскими институтами России.

С нами вы становитесь еще успешнее!

### Наши контакты:

**Телефон:** +7 812 627 14 35

**Электронная почта:** [sales@st-electron.ru](mailto:sales@st-electron.ru)

**Адрес:** 198099, Санкт-Петербург,  
Промышленная ул, дом № 19, литера Н,  
помещение 100-Н Офис 331