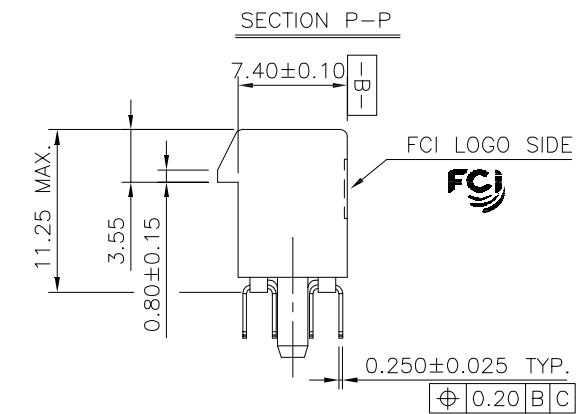
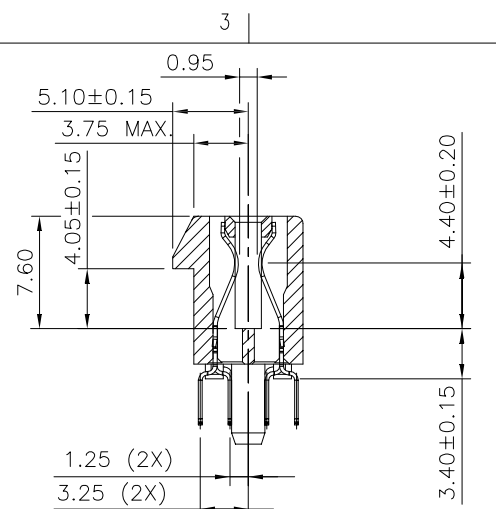
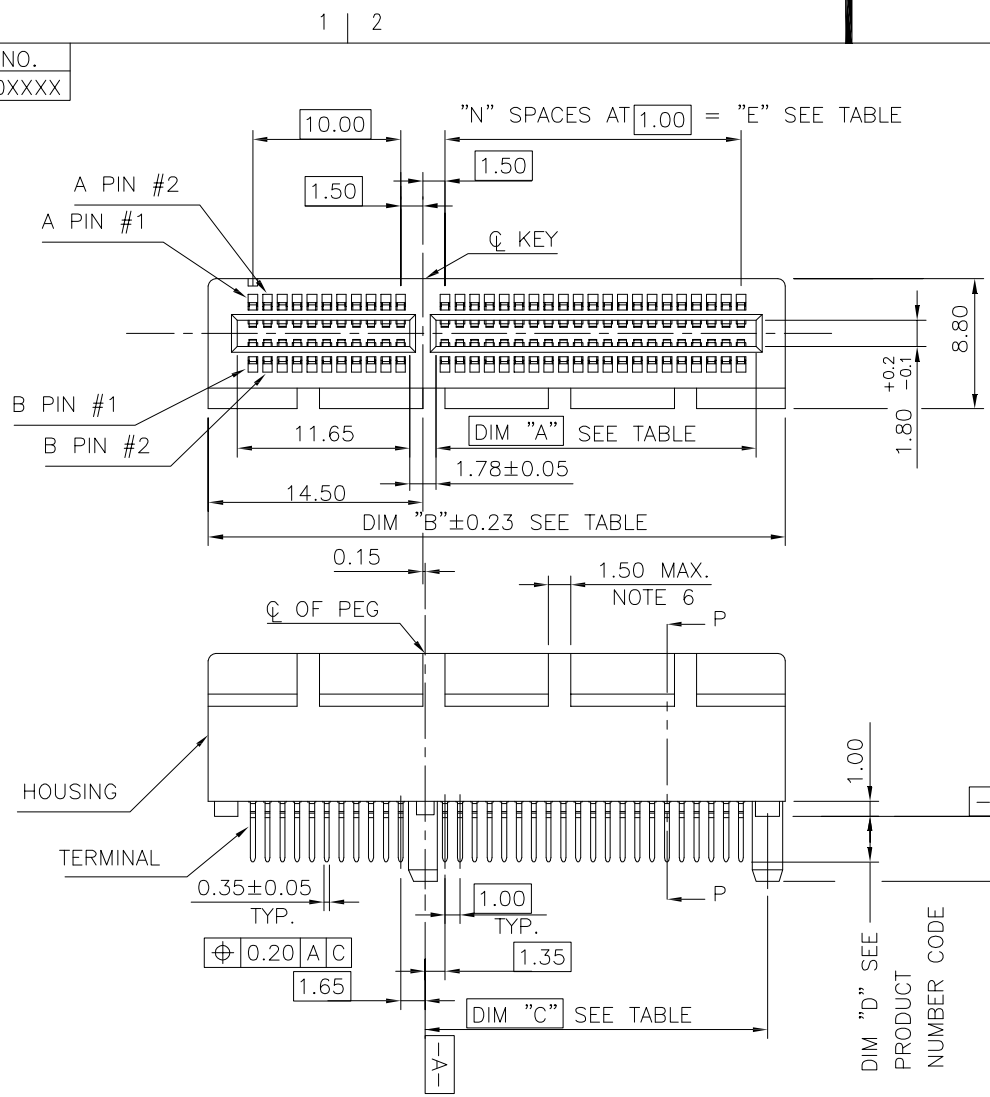
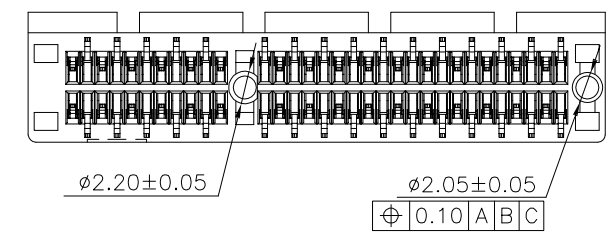


PRODUCT NO.  
10108777-X0XXXX

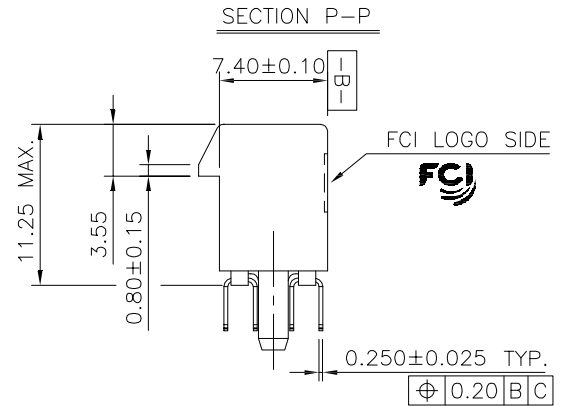
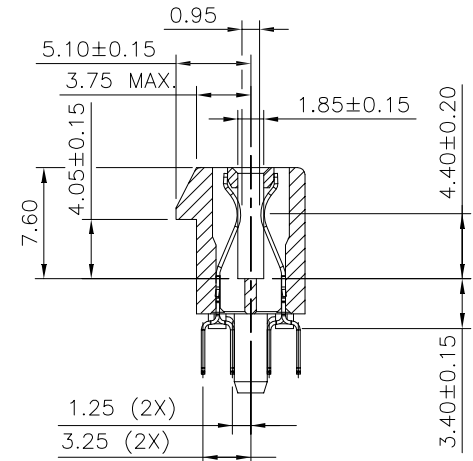
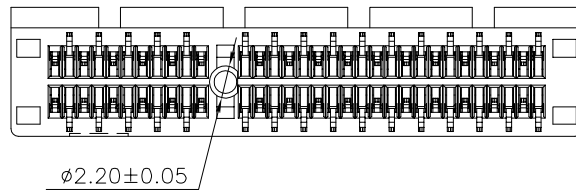
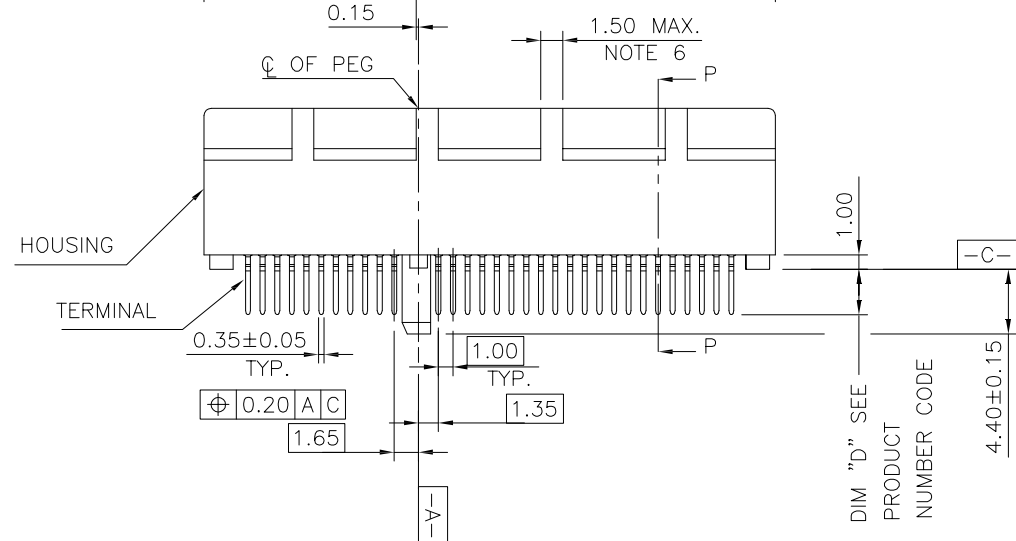
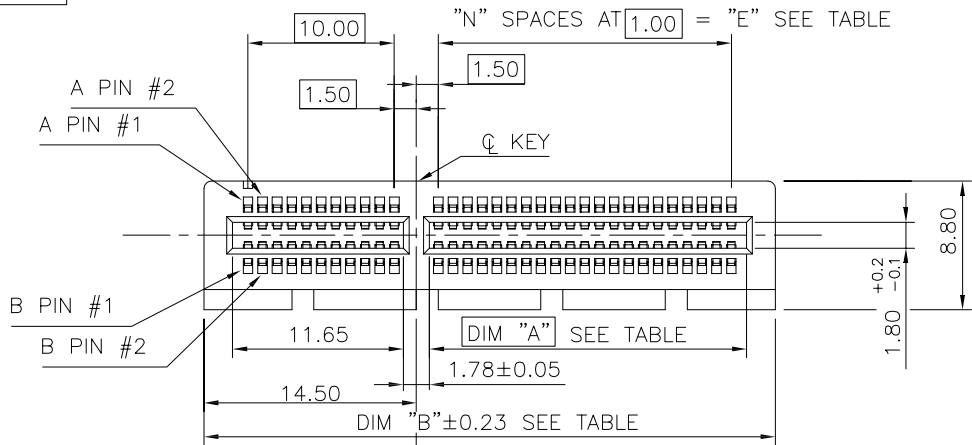


TWIN PLASTIC PEG TYPE



|             |                |     |          |                                       |             |          |            |                |                  |                           |        |          |     |
|-------------|----------------|-----|----------|---------------------------------------|-------------|----------|------------|----------------|------------------|---------------------------|--------|----------|-----|
| mat'l. code |                |     |          | tolerances unless otherwise specified |             |          |            | CUSTOMER COPY  |                  | FCI<br>www.fciconnect.com |        |          |     |
| ltr         | ecn no         | dr  | date     | linear                                | .X ± 0.30   |          | projection | title          | PCI EXPRESS GEN3 |                           |        |          |     |
| A           | T09-1162       | J H | 10/29/09 |                                       | .XX ± 0.20  |          |            |                | CARD EDGE ASSY   |                           |        |          |     |
| B           | T-004920       | J H | 6/8/11   |                                       | .XXX ± 0.10 |          | MM         | product family | EDGE CARD        |                           |        |          |     |
| C           | DG-011582      | HT  | 5/10/12  | angles                                | 0° ± 2'     |          |            |                | size             | dwg no                    | code   |          |     |
| D           | ELX-DG-013209  | WL  | 07/24/12 | dr                                    | STONE LI    | 05/27/15 | scale      | A4             |                  |                           |        | 10108777 | TWN |
| E           | ELX-DG-21161-1 | ST  | 05/27/15 | enrg                                  | STONE LI    | 05/27/15 |            |                | 2:1              | sheet                     | 1 of 7 |          |     |
|             |                |     |          | chr                                   | /           | /        |            |                |                  |                           |        |          |     |
|             |                |     |          | appd                                  | PM ZHENG    | 05/27/15 |            |                |                  |                           |        |          |     |
| sheet index | revision sheet | E   | E        | E                                     | E           | E        | E          | E              |                  |                           |        |          |     |
|             |                | 1   | 2        | 3                                     | 4           | 5        | 6          | 7              |                  |                           |        |          |     |

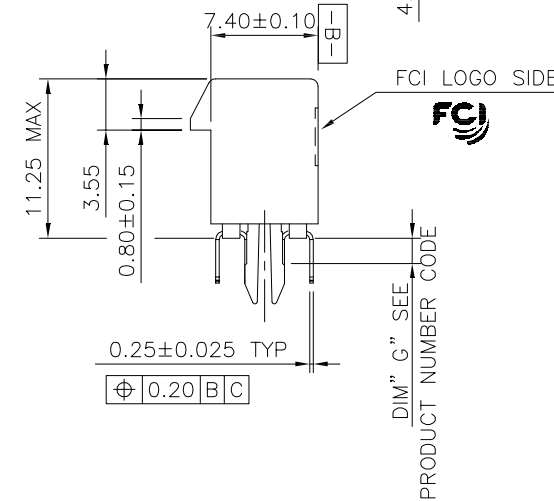
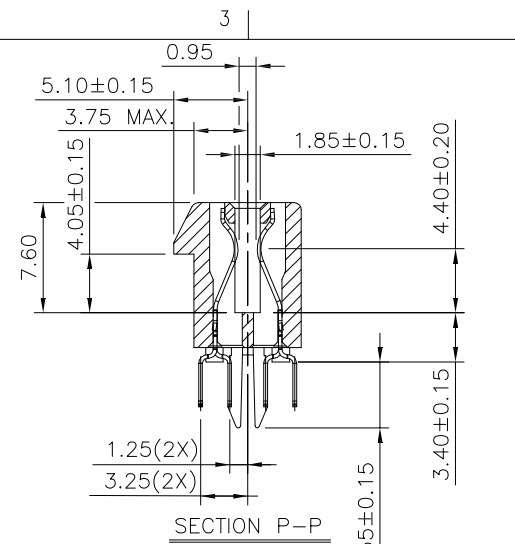
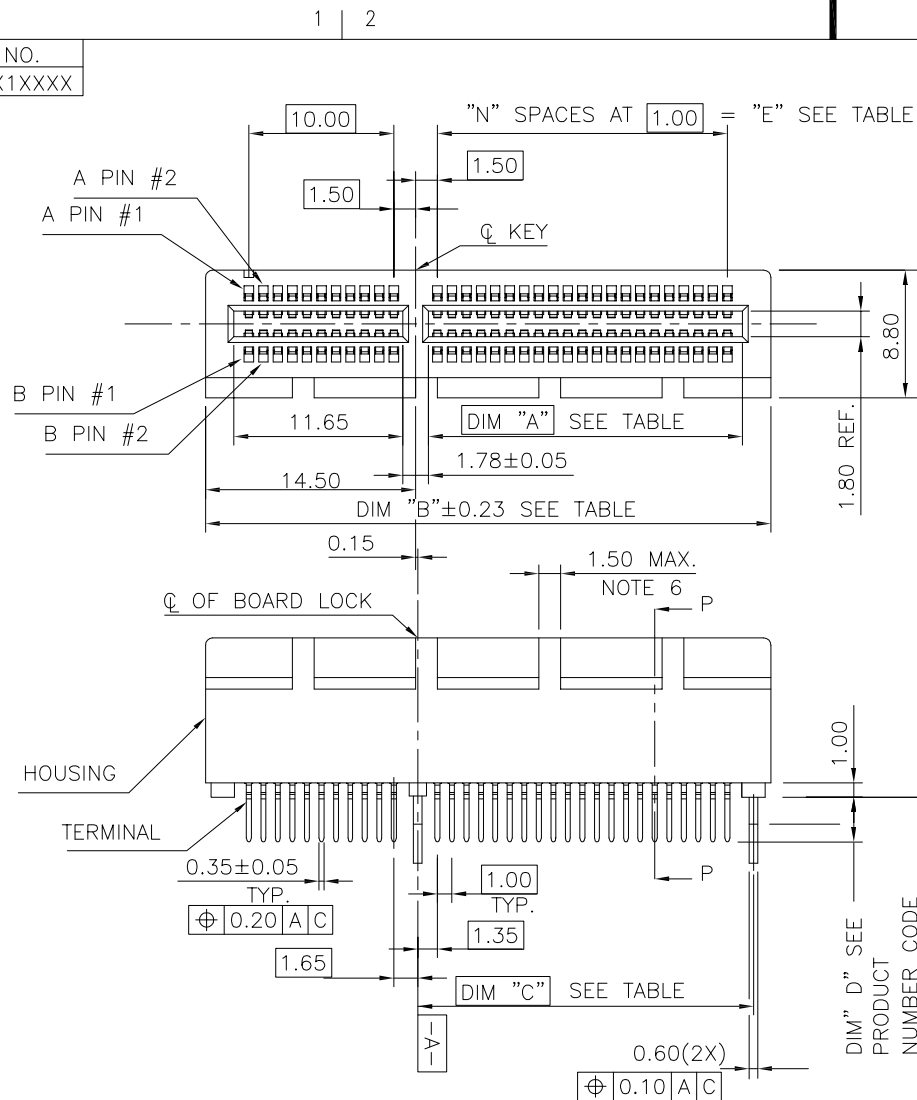
PRODUCT NO.  
10108777-X2XXXX



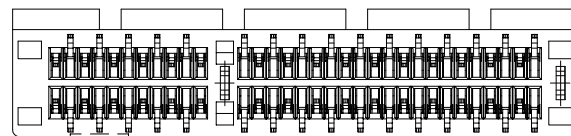
SINGLE PLASTIC PEG TYPE


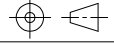
|             |                |    |      |                                       |                   |            |  |                             |                           |               |
|-------------|----------------|----|------|---------------------------------------|-------------------|------------|--|-----------------------------|---------------------------|---------------|
| mat'l. code |                |    |      | tolerances unless otherwise specified |                   |            | CUSTOMER COPY                            |                             | FCI<br>www.fciconnect.com |               |
| ltr         | ecn no         | dr | date | linear                                | .X ± 0.30         | projection | title<br>PCI EXPRESS GEN3 CARD EDGE ASSY |                             |                           |               |
|             |                |    |      |                                       | .XX ± 0.20        | ∅          |  |                             |                           |               |
|             |                |    |      | angles                                | .XXX ± 0.10       |            |  |                             |                           |               |
|             |                |    |      |                                       | 0° ±2°            | MM         |  | product family<br>EDGE CARD |                           | code<br>TWN   |
|             |                |    |      | dr                                    | STONE LI 05/27/15 | scale      |  | size<br>A4                  |                           | sheet<br>2 of |
|             |                |    |      | enr                                   | STONE LI 05/27/15 | 2:1        |  | 10108777                    |                           |               |
|             |                |    |      | chr                                   | /                 |            |  |                             |                           |               |
|             |                |    |      | appd                                  | PM ZHENG 05/27/15 |            |  |                             |                           |               |
| sheet index | revision sheet |    |      |                                       |                   |            |  | cage code                   |                           |               |

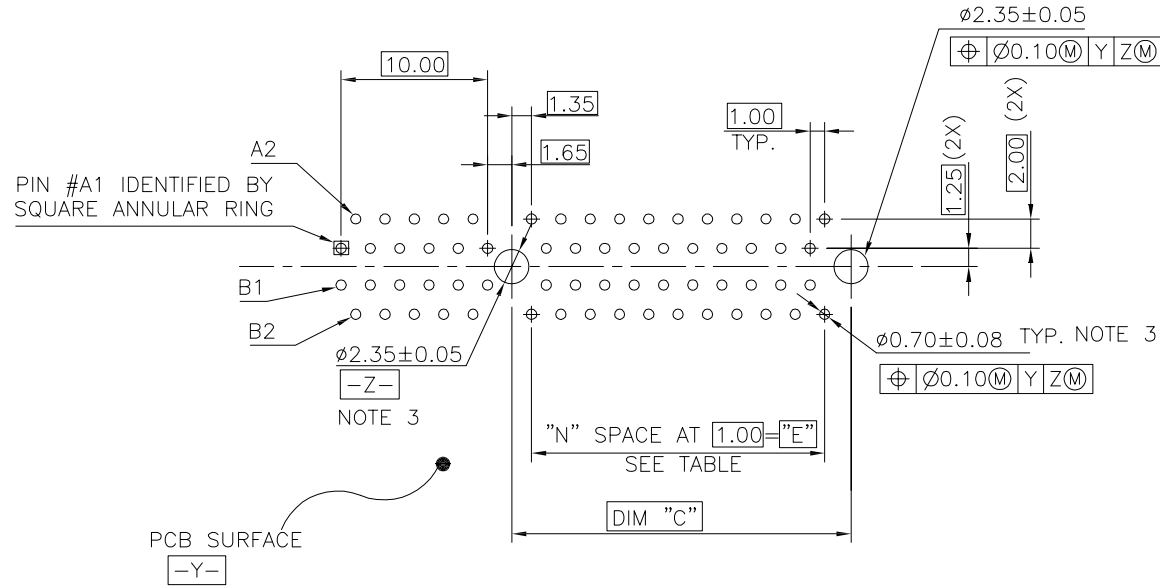
PRODUCT NO.  
10108777-X1XXXX



METAL BOARD LOCKS TYPE



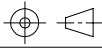


|             |                |    |      |                                       |             |   |                  |   |       |
|-------------|----------------|----|------|---------------------------------------|-------------|---|------------------|---|-------|
| mat'l. code |                |    |      | tolerances unless otherwise specified |             | CUSTOMER COPY   |                  | <br>www.fciconnect.com |       |
| ltr         | ecn no         | dr | date | linear                                | .X ± 0.30   | projection  | title            |   |       |
|             |                |    |      | angles                                | .XX ± 0.20  | <br>MM | PCI EXPRESS GEN3 |   |       |
|             |                |    |      | dr                                    | .XXX ± 0.10 |   | CARD EDGE ASSY   |   |       |
|             |                |    |      | enfr                                  | 0° ±2°      | scale   | product family   | EDGE CARD   | code  |
|             |                |    |      | chr                                   |             | 2:1   | size             | dwg no  | TWN   |
|             |                |    |      | appd                                  |             |   | A4               | 10108777  | sheet |
| sheet index | revision sheet |    |      |                                       |             |   |                  |   | 3 of  |
|             |                |    |      |                                       |             |   |                  |   |       |
|             |                |    |      |                                       |             |   |                  |   |       |
|             |                |    |      |                                       |             |   |                  |   |       |

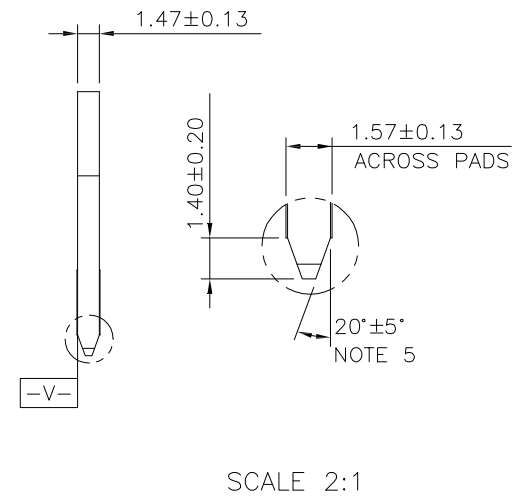
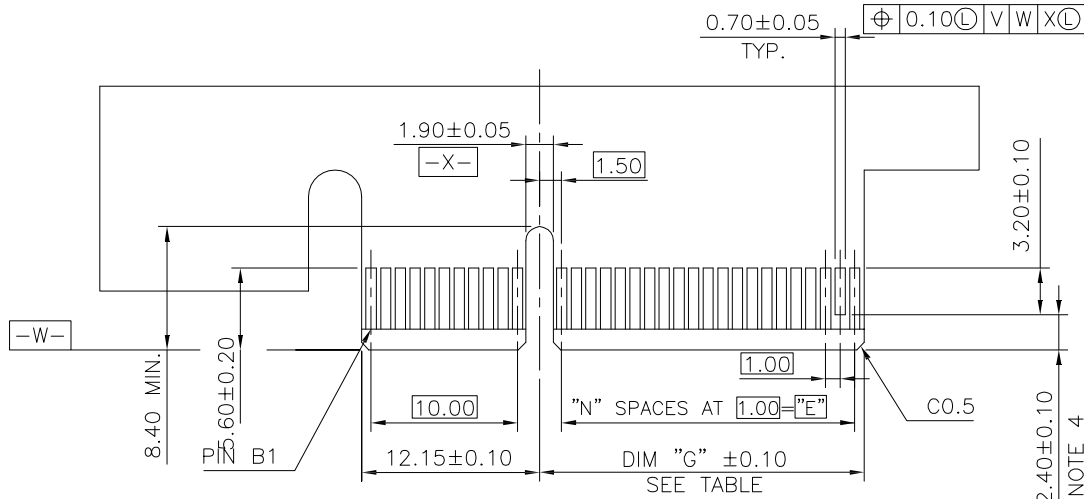


← I/O PANEL DIRECTION

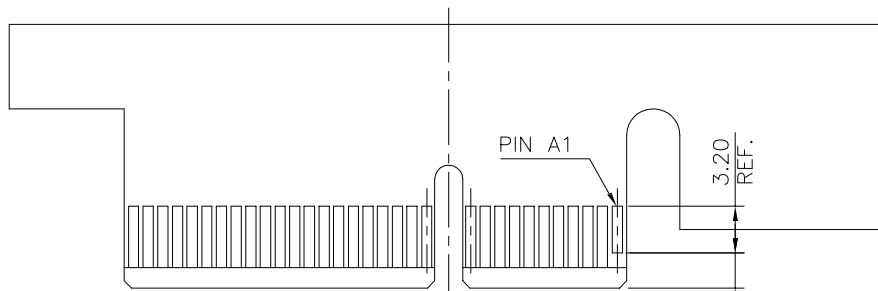
### RECOMMENDED FOOTPRINT

|             |                |    |      |                                       |          |          |  |   |   |  |  |
|-------------|----------------|----|------|---------------------------------------|----------|----------|--|---|---|--|--|
| mat'l. code |                |    |      | tolerances unless otherwise specified |          |          | CUSTOMER COPY  |   | <br>www.fciconnect.com |  |  |
| ltr         | ecn no         | dr | date | linear                                | .X ±     |          | projection   | title<br>PCI EXPRESS GEN3 CARD EDGE ASS'Y  |   |  |  |
|             |                |    |      |                                       | .XX ±    |          |  |   |   |  |  |
|             |                |    |      |                                       | .XXX ±   |          |  |   |   |  |  |
|             |                |    |      | angles                                | 0° ±2°   |          | <br>product family EDGE CARD<br>size dwg no<br>scale 2:1<br>A4 10108777 | code TWN<br>sheet 4 of  |   |  |  |
|             |                |    |      | dr                                    | STONE LI | 05/27/15 |  |   |   |  |  |
|             |                |    |      | enrg                                  | STONE LI | 05/27/15 |  |   |   |  |  |
|             |                |    |      | chr                                   | /        | /        |  |   |   |  |  |
|             |                |    |      | appd                                  | PM ZHENG | 05/27/15 |  |   |   |  |  |
| sheet index | revision sheet |    |      |                                       |          |          |  |   |   |  |  |

cage code



← I/O PANEL DIRECTION  
PRIMARY (COMPONENT) SIDE


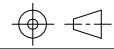


I/O PANEL DIRECTION →  
SECONDARY (SOLDER) SIDE

ADD-IN CARD EDGE-FINGER DIMENSIONS

| #   | POS | REF. | N  | DIM "G" | "F" |
|-----|-----|------|----|---------|-----|
| 36  | 6   |      | 6  | 8.15    | B17 |
| 64  | 20  |      | 20 | 22.15   | B31 |
| 98  | 37  |      | 37 | 39.15   | B48 |
| 164 | 70  |      | 70 | 72.15   | B81 |

PIN "F" SEE TABLE

|             |                |    |      |                                       |          |          |   |                  |        |   |       |  |
|-------------|----------------|----|------|---------------------------------------|----------|----------|---|------------------|--------|---|-------|--|
| mat'l. code |                |    |      | tolerances unless otherwise specified |          |          |   | CUSTOMER COPY    |        | <br>www.fciconnect.com |       |  |
| ltr         | ecn no         | dr | date | linear                                | .X ±     |          | projection  | title            |        |   |       |  |
|             |                |    |      |                                       | .XX ±    |          |   | PCI EXPRESS GEN3 |        |   |       |  |
|             |                |    |      |                                       | .XXX ±   |          |   | CARD EDGE ASS'Y  |        |   |       |  |
|             |                |    |      | angles                                | 0° ±2°   |          | <br>MM | product family   |        | code  |       |  |
|             |                |    |      | dr                                    | STONE LI | 05/27/15 |   | EDGE CARD        |        | TWN   |       |  |
|             |                |    |      | enr                                   | STONE LI | 05/27/15 |   | size             | dwg no |   | sheet |  |
|             |                |    |      | chr                                   | /        | /        |   | scale            | A4     |   | 5 of  |  |
|             |                |    |      | appd                                  | PM ZHENG | 05/27/15 | 2:1   | 10108777         |        |   |       |  |
| sheet index | revision sheet |    |      |                                       |          |          |   | cage code        |        |   |       |  |

NOTES:

1.MATERIAL:

HOUSING: HIGH TEMPERATURE NYLON, GLASS FILLED UL94V-0 RATED.  
TERMINAL: COPPER ALLOY.

PLATING: 50u" NICKEL UNDERPLATE ALL OVER  
CONTACT AREA PLATING - SEE PRODUCT NUMBER CODE  
SOLDER TAIL: TIN OR TIN /LEAD(90/10)- SEE PRODUCT  
NUMBER CODE 100u" MIN. OVER 50u" NICKEL.

METAL BOARD LOCKS: COPPER ALLOY.  
FINISH: 100u" TIN OR TIN/LEAD(90/10) OVER 50u" NICKEL  
UNDERPLATE SEE PRODUCT NUMBER CODE.

2.PRODUCT SPECIFICATION: GS-12-233.

③THE HORIZONTAL AXIS FOR THE HOLE PATTERN IS ESTABLISHED BY

A LINE THROUGH THE CENTER OF THE TWO Ø2.35 HOLES.  
THE VERTICAL AXIS IS 90° TO THE HORIZONTAL AXIS, THROUGH THE CENTER  
OF DATUM Z.

④NO TIE BAR PERMITTED FROM CARD EDGE TO LEADING EDGE OF PAD FOR PINS A1 AND PIN NUMBERS "F".

⑤CHAMFER EDGES MUST BE FREE OF CUTTING BURRS.

⑥FREQUENCY & LOCATION AT SUPPLIER DISCRETION. RIDGE MAY BE CONTINUOUS WITH NO BREAKS.

7.RoHS COMPATIBLE PRODUCT SPECIFICATIONS:

a - PLATING:

- "LF" MEANS THE PRODUCT IS LEAD-FREE, 2um MINIMUM MATTE TIN OVER 1.27um  
MINIMUM NICKEL UNDERPLATE.

b - MANUFACTURING PROCESS COMPATIBILITY:

- THE HOUSING WILL WITHSTAND EXPOSURE TO 260°C±5°C TEMPERATURE FOR  
10 SECONDS IN RE-FLOW APPLICATION, SEE NOTE 8 FOR APPLICATION.

PRODUCT NUMBER CODE

10108777 -X X X X X □ □

HOUSING COLOR OPTIONS

- 0-NATURAL  
1-BLACK

PEGS OPTIONS

- 0-PLASTIC PEGS  
1-METAL BOARD LOCKS  
2-SINGLE PLASTIC PEGS

TERMINAL PLATING OPTIONS

- 0-50u" Ni UNDERPLATE  
30u" Au CONTACT AREA  
100u" TIN TAIL AREA ----- COMPATIBLE RoHS
- 1-50u" Ni UNDERPLATE  
15u" Au CONTACT AREA  
100u" TIN TAIL AREA ----- COMPATIBLE RoHS
- 2-50u" Ni UNDERPLATE  
GOLD FLASH CONTACT AREA  
100u" TIN TAIL AREA ----- COMPATIBLE RoHS
- 3-50u" Ni UNDERPLATE  
30u" Au CONTACT AREA  
100u" TIN/LEAD TAIL AREA ----- INCOMPLIANT RoHS
- 4-50u" Ni UNDERPLATE  
15u" Au CONTACT AREA  
100u" TIN/LEAD TAIL AREA ----- INCOMPLIANT RoHS
- 5-50u" Ni UNDERPLATE  
GOLD FLASH CONTACT AREA  
100u" TIN/LEAD TAIL AREA ----- INCOMPLIANT RoHS

LEAD FREE OPTION

LEAVE BLANK FOR TERMINAL PLATING 3,4,5  
"LF" FOR TERMINAL PLATING OPTION 0,1,2

POS OPTIONS

- 0-36  
1-64  
2-98  
3-164

PACKAGING OPTIONS

- T-SOFT TRAY PACKAGING  
M-SOFT TRAY PACKAGING & MYLAR TAPE. SEE FIGULE 1  
Y-HARD TRAY PACKAGING (FOR 164P ONLY)  
Z-HARD TRAY PACKAGING WITH MYLAR (FOR 164P ONLY)  
R-TAPE & REEL PACKAGING WITHOUT MYLAR  
(FOR 34, 64, 98P ONLY)  
W-TAPE & REEL PACKAGING WITHOUT MYLAR  
(FOR 98P ONLY), WITH 18.0MM CAVITY WIDTH  
A-TAPE & REEL PACKAGING WITH MYLAR  
(FOR 36, 64, 98P)

TAIL LENGTH OPTIONS

| CONNECTOR | # POS | REF. N | DIM "A" | DIM "B" | DIM "C" | "E"   |
|-----------|-------|--------|---------|---------|---------|-------|
| 1 PORT    | 36    | 6      | 7.65    | 25.00   | 9.15    | 6.00  |
| 4 PORT    | 64    | 20     | 21.65   | 39.00   | 23.15   | 20.00 |
| 8 PORT    | 98    | 37     | 38.65   | 56.00   | 40.15   | 37.00 |
| 16 PORT   | 164   | 70     | 71.65   | 89.00   | 73.15   | 70.00 |

8.AN ADEQUATE PROCEDURE SET FORTH IN THE FOLLOWING ENSURE THAT THE PRODUCT  
RELIABILITY CAN BE ACHIEVED DURING AND AFTER PCB ASSEMBLY OPERATION.

8.1IF PARTIAL LOT ARE USED, THE REMAINING CONNECTORS MUST BE RESEALED AND  
PLACED IN SAFE STORAGE WITHIN SIX HOURS OF BAG OPENING.

8.2THE SAFE STORAGE CONDITION IS RECOMMENDED AT 25°C, 40%RH.

8.3NOT FOLLOWING THE PROCEDURE MAY CAUSE BLISTER DAMAGE DURING RE-FLOW PROCESS.

8.4IF BAKING IS REQUIRED, CONNECTOR SHALL BE BAKED FOR 4 HOURS AT 125°C.

8.5REFERENCE SPECIFICATION: IPC/JEDEC J-STD-033A.

|   | DIM "D"                                  | PCB THICKNESS | BOARD LOCKS DIM "G" |
|---|--|---------------|---------------------|
| 0 | 2.30 <sup>+0.25</sup> / <sub>-0.13</sub> | 1.56±0.10     | 1.70±0.15           |
| 1 | 3.10 <sup>+0.25</sup> / <sub>-0.13</sub> | 2.36±0.10     | 2.50±0.15           |
| 2 | 2.54±0.25                                | 1.56±0.10     | 1.70±0.15           |
| 3 | 1.90±0.25                                | 1.56±0.10     | 1.70±0.15           |
| 4 | 3.10 <sup>+0.25</sup> / <sub>-0.13</sub> | 2.0±0.10      | 1.70±0.15           |

|             |          |    |      |                                       |                   |               |                                       |          |        |
|-------------|----------|----|------|---------------------------------------|-------------------|---------------|---------------------------------------|----------|--------|
| mat'l. code |          |    |      | tolerances unless otherwise specified |                   | CUSTOMER COPY |                                       | FCI      |        |
| ltr         | ecn no   | dr | date | linear                                | .X ±              | projection    | www.fciconnect.com                    |          |        |
|             |          |    |      |                                       | .XX ±             |               | title PCI EXPRESS GEN3 CARD EDGE ASSY |          |        |
|             |          |    |      | angles                                | .XXX ±            |               | product family EDGE CARD code         |          |        |
|             |          |    |      | dr                                    | 0° ±2°            | MM            | size                                  | dwg no   | TWN    |
|             |          |    |      | enfr                                  |                   | scale         | A4                                    | 10108777 | sheet  |
|             |          |    |      | chr                                   |                   | 1:1           |                                       |          | 6 of 7 |
|             |          |    |      | appd                                  | PM ZHENG 05/27/15 |               |                                       |          |        |
| sheet       | revision |    |      |                                       |                   |               |                                       |          |        |
| index       | sheet    |    |      |                                       |                   |               |                                       |          |        |

cage code

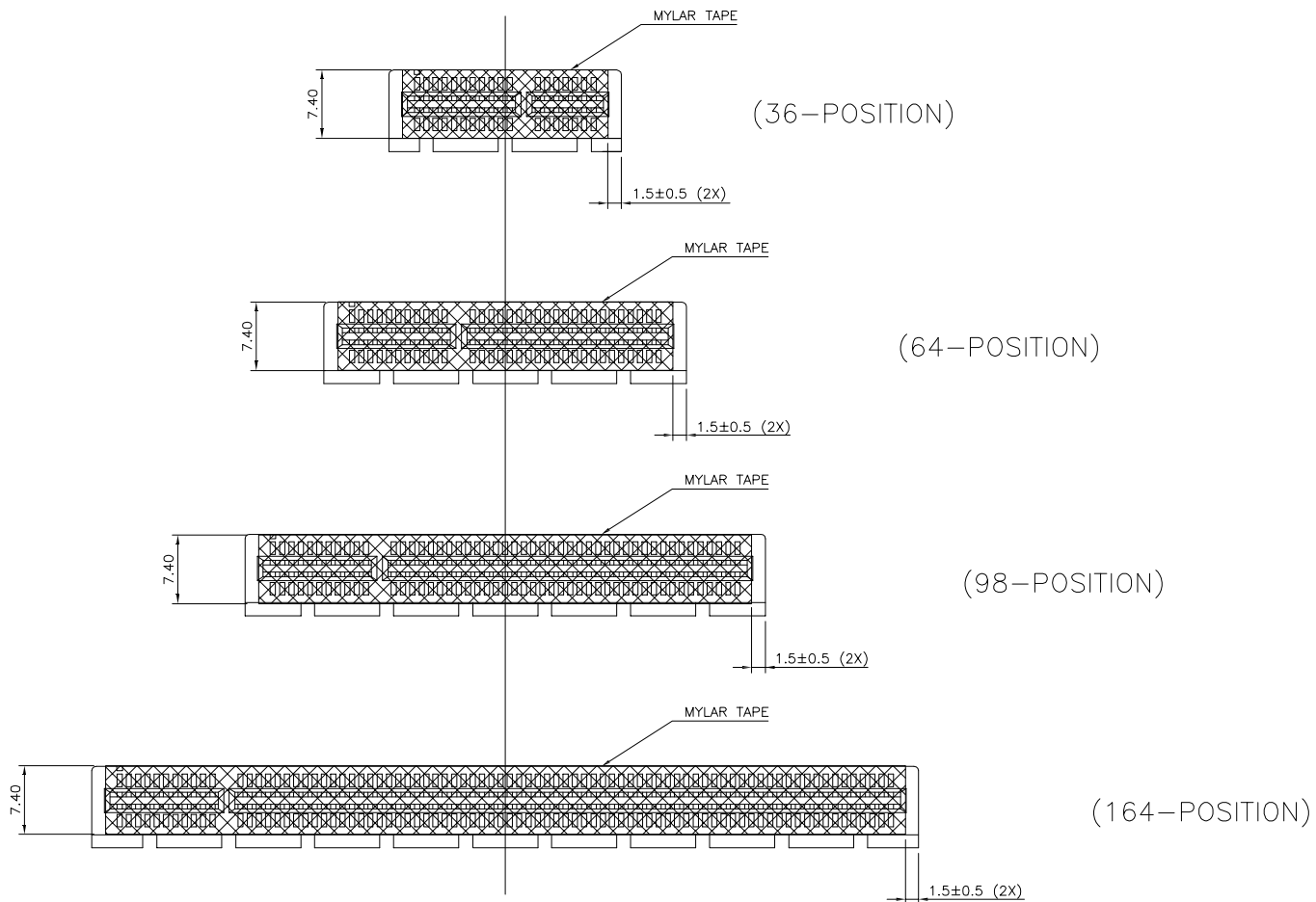

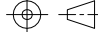



FIGURE 1

|             |                |    |      |                                       |                   |  |   |                  |      |       |
|-------------|----------------|----|------|---------------------------------------|-------------------|--|---|------------------|------|-------|
| mat'l. code |                |    |      | tolerances unless otherwise specified |                   | CUSTOMER COPY  | <br>www.fciconnect.com |                  |      |       |
| ltr         | ecn no         | dr | date | linear                                | .X ± 0.25         | projection   | title   |                  |      |       |
|             |                |    |      |                                       | .XX ± 0.13        |  |                        | PCI EXPRESS GEN3 |      |       |
|             |                |    |      |                                       | .XXX ± 0.05       |  |   | CARD EDGE ASS'Y  |      |       |
|             |                |    |      | angles                                | 0° ±2°            | <br>MM<br>scale 1.5:1 | product family  | EDGE CARD        | code |       |
|             |                |    |      | dr                                    | STONE LI 05/27/15 |  | size  | dwg no           | TWN  |       |
|             |                |    |      | enr                                   | STONE LI 05/27/15 |  | A4  | 10108777         |      | sheet |
|             |                |    |      | chr                                   | / /               |  |   |                  |      | 7 of  |
|             |                |    |      | appd                                  | PM ZHENG 05/27/15 |  |   |                  |      |       |
| sheet index | revision sheet |    |      |                                       |                   |  |   |                  |      |       |

cage code



## Стандарт Электрон Связь

Мы молодая и активно развивающаяся компания в области поставок электронных компонентов. Мы поставляем электронные компоненты отечественного и импортного производства напрямую от производителей и с крупнейших складов мира.

Благодаря сотрудничеству с мировыми поставщиками мы осуществляем комплексные и плановые поставки широчайшего спектра электронных компонентов.

Собственная эффективная логистика и склад в обеспечивает надежную поставку продукции в точно указанные сроки по всей России.

Мы осуществляем техническую поддержку нашим клиентам и предпродажную проверку качества продукции. На все поставляемые продукты мы предоставляем гарантию .

Осуществляем поставки продукции под контролем ВП МО РФ на предприятия военно-промышленного комплекса России , а также работаем в рамках 275 ФЗ с открытием отдельных счетов в уполномоченном банке. Система менеджмента качества компании соответствует требованиям ГОСТ ISO 9001.

Минимальные сроки поставки, гибкие цены, неограниченный ассортимент и индивидуальный подход к клиентам являются основой для выстраивания долгосрочного и эффективного сотрудничества с предприятиями радиоэлектронной промышленности, предприятиями ВПК и научно-исследовательскими институтами России.

С нами вы становитесь еще успешнее!

### Наши контакты:

**Телефон:** +7 812 627 14 35

**Электронная почта:** [sales@st-electron.ru](mailto:sales@st-electron.ru)

**Адрес:** 198099, Санкт-Петербург,  
Промышленная ул, дом № 19, литера Н,  
помещение 100-Н Офис 331