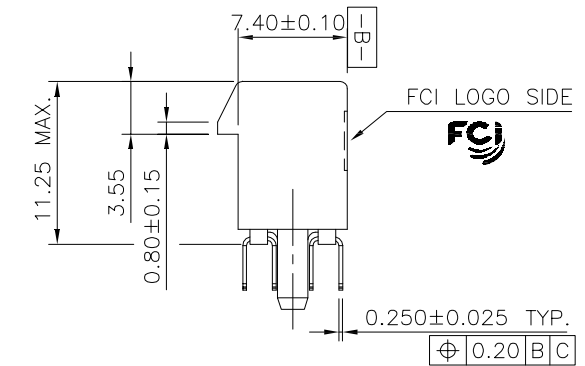
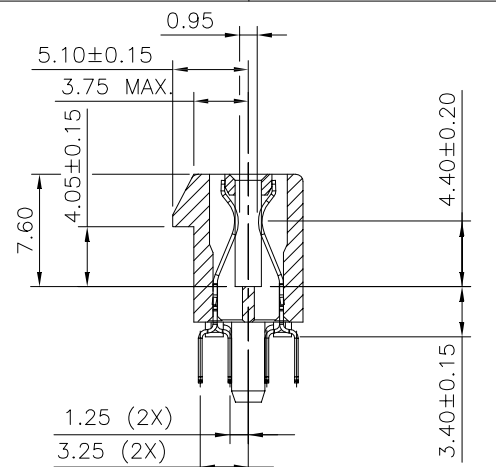
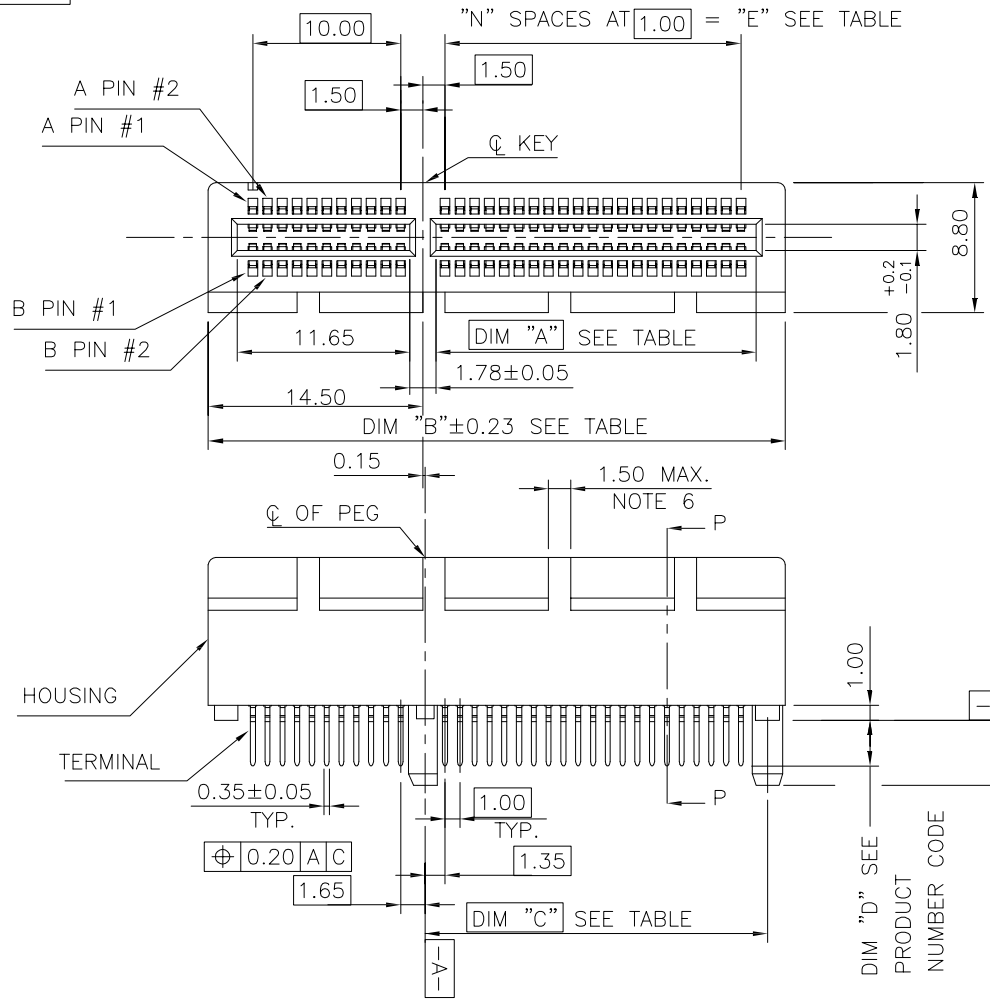
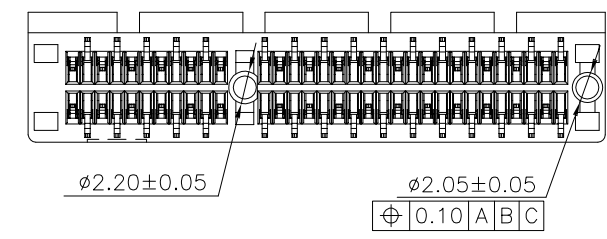


PRODUCT NO.  
10108777-X0XXXX

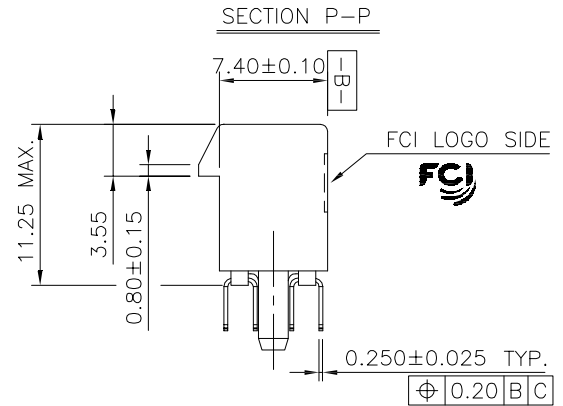
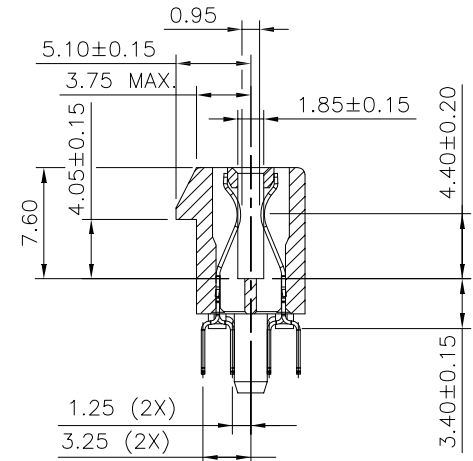
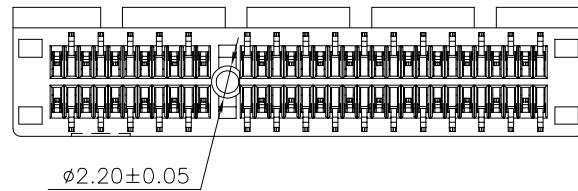
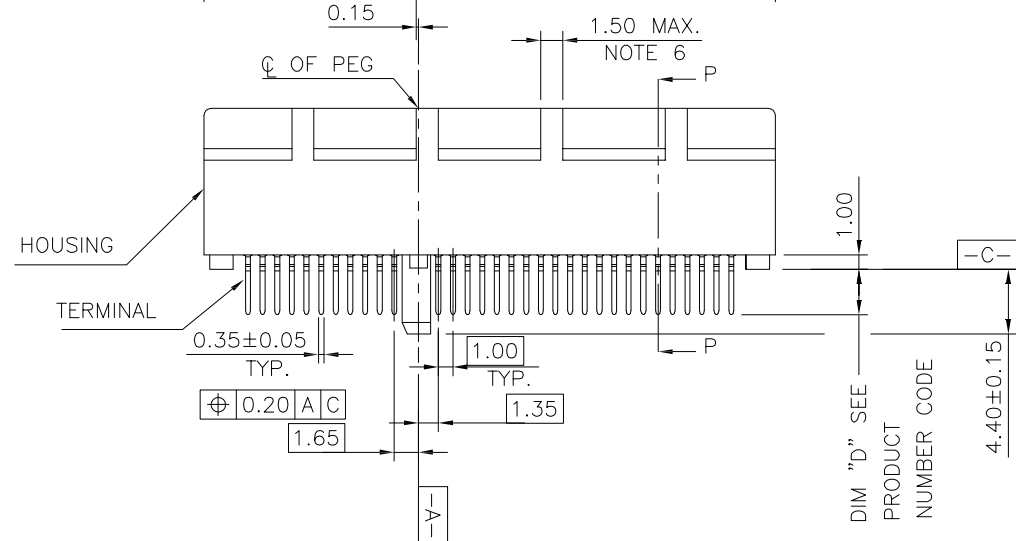
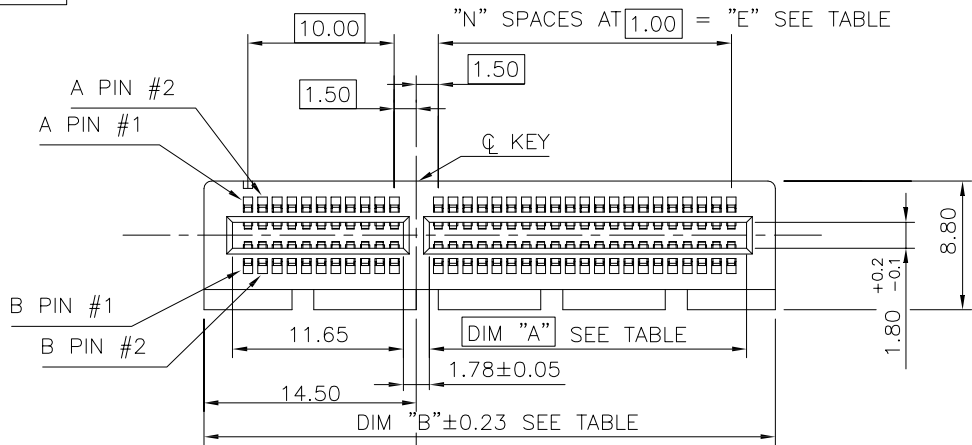


TWIN PLASTIC PEG TYPE



mat'l. code				tolerances unless otherwise specified				CUSTOMER COPY		FCI		www.fciconnect.com		
ltr	ecn no	dr	date	linear	.X ± 0.30		projection	title	PCI EXPRESS GEN3 CARD EDGE ASSY		product family EDGE CARD		code TWN	
A	T09-1162	J H	10/29/09		.XX ± 0.20									
B	T-004920	J H	6/8/11		.XXX ± 0.10									
C	DG-011582	HT	5/10/12	angles	0' ±2'		scale	A4	10108777		sheet 1 of 7			
D	ELX-DG-013209	WL	07/24/12	dr	STONE LI	05/27/15								
E	ELX-DG-21161-1	ST	05/27/15	enrg	STONE LI	05/27/15								
				chr	/		2:1							
				appd	PM ZHENG			05/27/15						
sheet index	revision sheet	E	E	E	E	E	E	E						
		1	2	3	4	5	6	7						

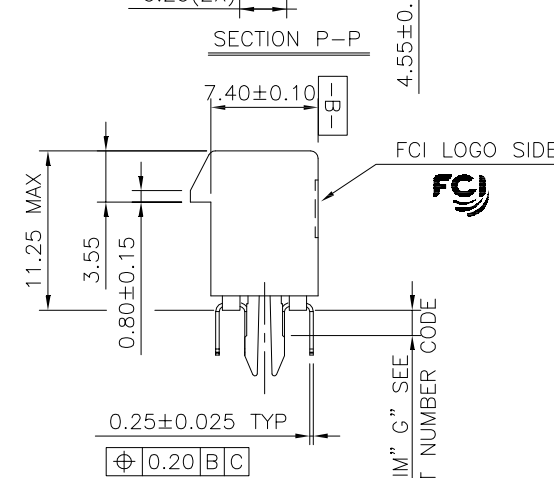
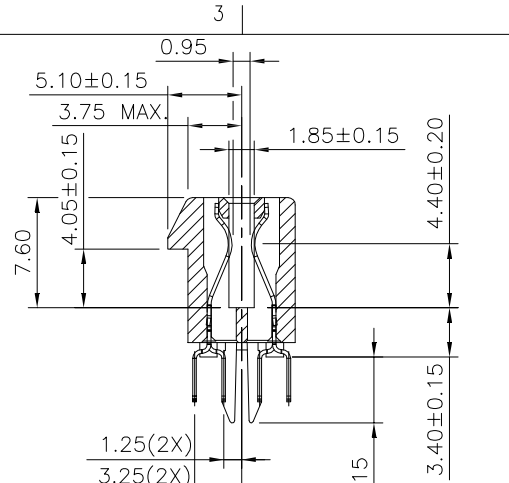
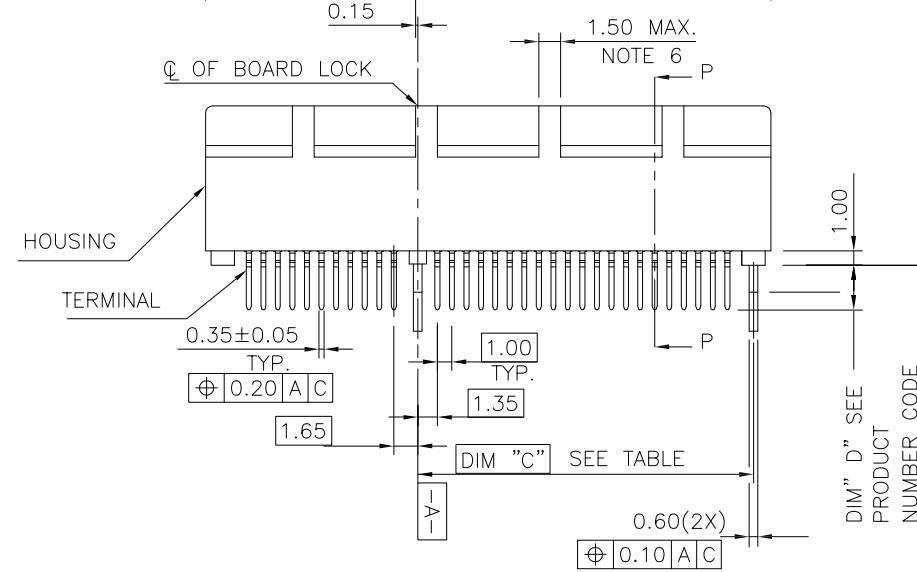
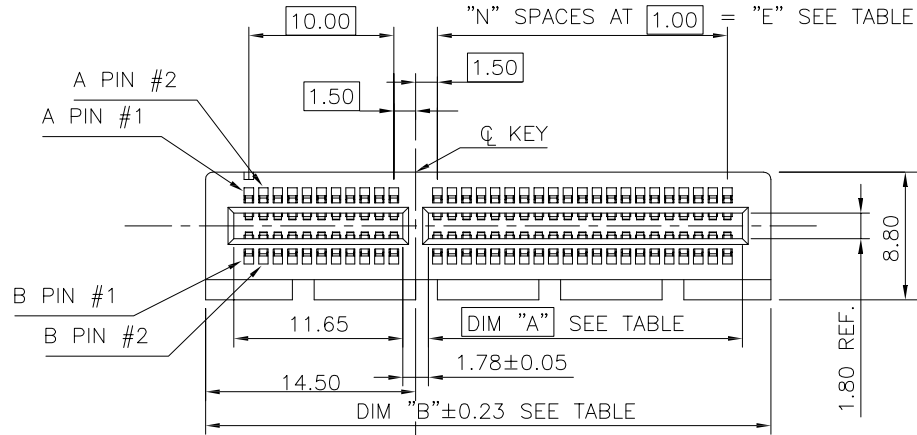
PRODUCT NO.  
10108777-X2XXXX



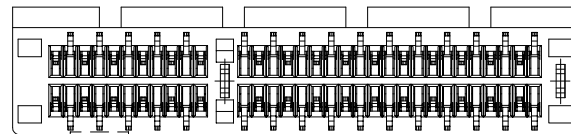
SINGLE PLASTIC PEG TYPE

mat'l. code				tolerances unless otherwise specified			CUSTOMER COPY		FCI		www.fciconnect.com	
ltr	ecn no	dr	date	linear	.X ± 0.30		projection	title		PCI EXPRESS GEN3 CARD EDGE ASSY		
					.XX ± 0.20							
					.XXX ± 0.10							
				angles	0° ± 2°							
				dr	STONE LI	05/27/15	MM	product family		EDGE CARD	code	
				enr	STONE LI	05/27/15		size		dwg no	TWN	
				chr	/	/		scale		10108777	sheet	
				appd	PM ZHENG	05/27/15	2:1		A4	2 of		
sheet index	revision sheet											

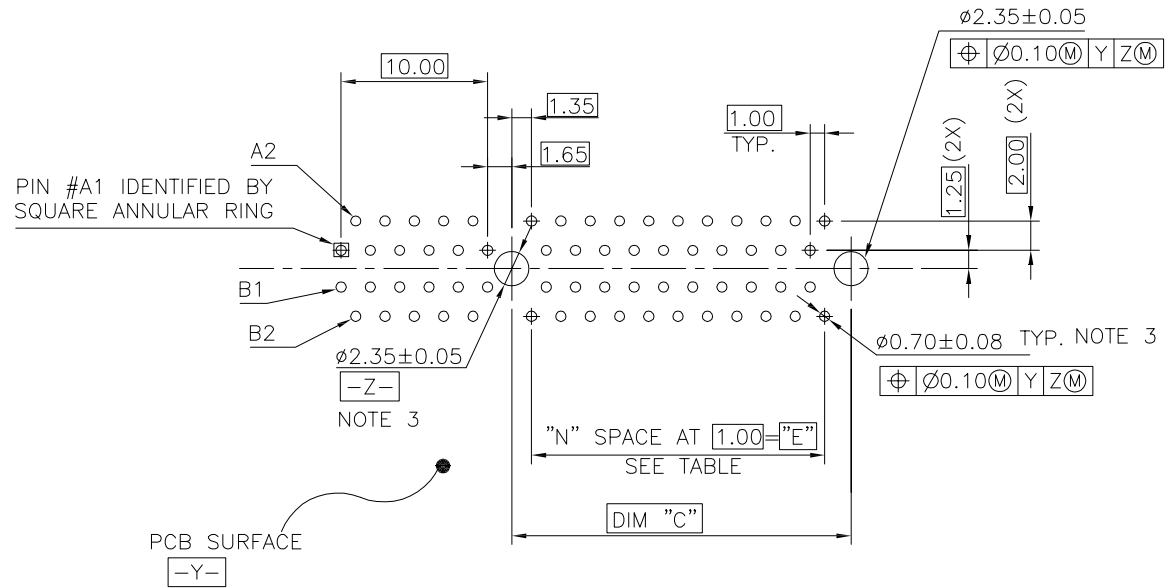
PRODUCT NO.  
10108777-X1XXXX



METAL BOARD LOCKS TYPE


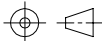



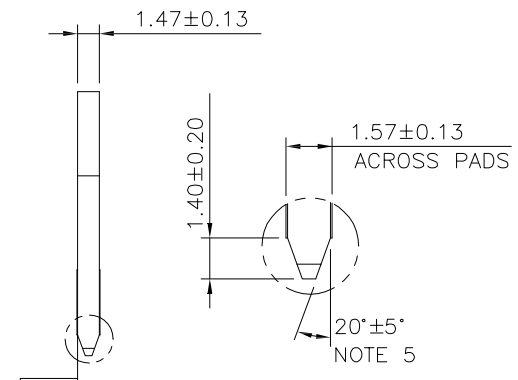
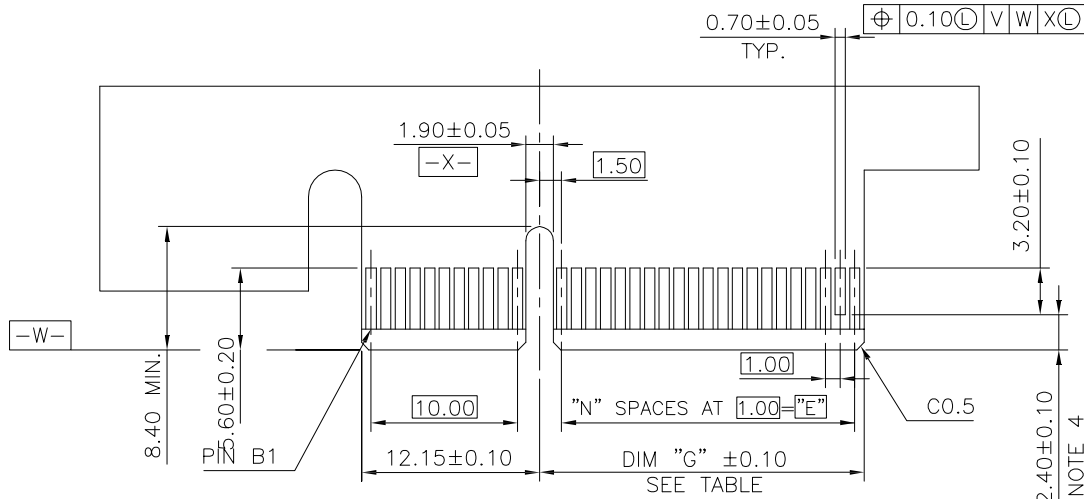
mat'l. code				tolerances unless otherwise specified		CUSTOMER COPY		FCI	
ltr	ecn no	dr	date	linear	.X ± 0.30	projection	title	www.fciconnect.com	
				angles	.XX ± 0.20		PCI EXPRESS GEN3 CARD EDGE ASSY		
				dr	.XXX ± 0.10			product family	EDGE CARD
				enfr	0° ±2°	MM	size	dwg no	TWN
				chr		scale	A4	10108777	sheet
				appd		2:1			3 of
sheet index	revision sheet								



← I/O PANEL DIRECTION

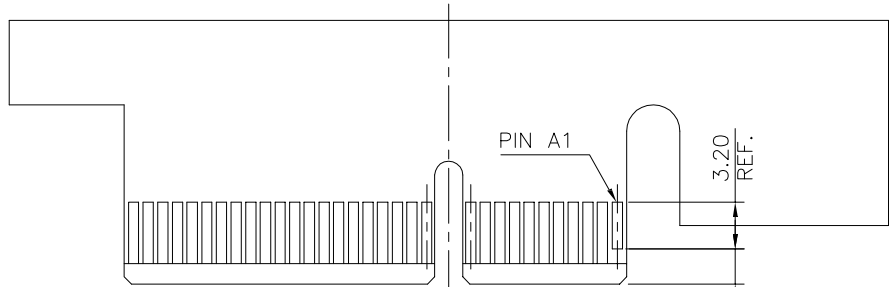
RECOMMENDED FOOTPRINT

mat'l. code				tolerances unless otherwise specified		CUSTOMER COPY		 www.fciconnect.com		
ltr	ecn no	dr	date	linear	.X ±	projection	title			
					.XX ±		PCI EXPRESS GEN3 CARD EDGE ASS'Y			
					.XXX ±					
				angles	0° ±2°	 scale 2:1	product family		code	
				dr	STONE LI		05/27/15	EDGE CARD		TWN
				enr	STONE LI		05/27/15	size	dwg no	sheet
				chr	/		/	A4	10108777	4 of
				appd	PM ZHENG	05/27/15	cage code			
sheet index	revision sheet									



SCALE 2:1

← I/O PANEL DIRECTION  
PRIMARY (COMPONENT) SIDE



I/O PANEL DIRECTION →  
SECONDARY (SOLDER) SIDE

PIN "F" SEE TABLE 2.40±0.10 NOTE 4

PIN "F" SEE TABLE 2.40±0.10 NOTE 4

ADD-IN CARD EDGE-FINGER DIMENSIONS

#	POS	REF.	N	DIM "G"	"F"
36			6	8.15	B17
64			20	22.15	B31
98			37	39.15	B48
164			70	72.15	B81

mat'l. code				tolerances unless otherwise specified				CUSTOMER COPY		 www.fciconnect.com	
ltr	ecn no	dr	date	linear	.X ±		projection	 title		PCI EXPRESS GEN3	
					.XX ±					CARD EDGE ASS'Y	
					.XXX ±					product family EDGE CARD size dwg no	
				angles	0° ±2°		 MM scale 2:1	A4		code TWN	
				dr	STONE LI	05/27/15		10108777		sheet 5 of	
				enr	STONE LI	05/27/15					
				chr	/	/					
				appd	PM ZHENG	05/27/15					
sheet index		revision sheet								cage code	

NOTES:

1.MATERIAL:

HOUSING: HIGH TEMPERATURE NYLON, GLASS FILLED UL94V-0 RATED.  
TERMINAL: COPPER ALLOY.

PLATING: 50u" NICKEL UNDERPLATE ALL OVER  
CONTACT AREA PLATING - SEE PRODUCT NUMBER CODE  
SOLDER TAIL: TIN OR TIN /LEAD(90/10)- SEE PRODUCT  
NUMBER CODE 100u" MIN. OVER 50u" NICKEL.

METAL BOARD LOCKS: COPPER ALLOY.  
FINISH: 100u" TIN OR TIN/LEAD(90/10) OVER 50u" NICKEL  
UNDERPLATE SEE PRODUCT NUMBER CODE.

2.PRODUCT SPECIFICATION: GS-12-233.

③THE HORIZONTAL AXIS FOR THE HOLE PATTERN IS ESTABLISHED BY

A LINE THROUGH THE CENTER OF THE TWO Ø2.35 HOLES.  
THE VERTICAL AXIS IS 90° TO THE HORIZONTAL AXIS, THROUGH THE CENTER  
OF DATUM Z.

④NO TIE BAR PERMITTED FROM CARD EDGE TO LEADING EDGE OF PAD FOR PINS A1 AND PIN NUMBERS "F".

⑤CHAMFER EDGES MUST BE FREE OF CUTTING BURRS.

⑥FREQUENCY & LOCATION AT SUPPLIER DISCRETION. RIDGE MAY BE CONTINUOUS WITH NO BREAKS.

7.RoHS COMPATIBLE PRODUCT SPECIFICATIONS:

a - PLATING:

- "LF" MEANS THE PRODUCT IS LEAD-FREE, 2um MINIMUM MATTE TIN OVER 1.27um  
MINIMUM NICKEL UNDERPLATE.

b - MANUFACTURING PROCESS COMPATIBILITY:

- THE HOUSING WILL WITHSTAND EXPOSURE TO 260°C±5°C TEMPERATURE FOR  
10 SECONDS IN RE-FLOW APPLICATION, SEE NOTE 8 FOR APPLICATION.

PRODUCT NUMBER CODE

10108777 -X X X X X □ □

HOUSING COLOR OPTIONS

- 0-NATURAL  
1-BLACK

PEGS OPTIONS

- 0-PLASTIC PEGS  
1-METAL BOARD LOCKS  
2-SINGLE PLASTIC PEGS

TERMINAL PLATING OPTIONS

- 0-50u" Ni UNDERPLATE  
30u" Au CONTACT AREA  
100u" TIN TAIL AREA ----- COMPATIBLE RoHS
- 1-50u" Ni UNDERPLATE  
15u" Au CONTACT AREA  
100u" TIN TAIL AREA ----- COMPATIBLE RoHS
- 2-50u" Ni UNDERPLATE  
GOLD FLASH CONTACT AREA  
100u" TIN TAIL AREA ----- COMPATIBLE RoHS
- 3-50u" Ni UNDERPLATE  
30u" Au CONTACT AREA  
100u" TIN/LEAD TAIL AREA ----- INCOMPLIANT RoHS
- 4-50u" Ni UNDERPLATE  
15u" Au CONTACT AREA  
100u" TIN/LEAD TAIL AREA ----- INCOMPLIANT RoHS
- 5-50u" Ni UNDERPLATE  
GOLD FLASH CONTACT AREA  
100u" TIN/LEAD TAIL AREA ----- INCOMPLIANT RoHS

LEAD FREE OPTION

LEAVE BLANK FOR TERMINAL PLATING 3,4,5  
"LF" FOR TERMINAL PLATING OPTION 0,1,2

POS OPTIONS

- 0-36  
1-64  
2-98  
3-164

PACKAGING OPTIONS

- T-SOFT TRAY PACKAGING  
M-SOFT TRAY PACKAGING & MYLAR TAPE. SEE FIGULE 1  
Y-HARD TRAY PACKAGING (FOR 164P ONLY)  
Z-HARD TRAY PACKAGING WITH MYLAR (FOR 164P ONLY)  
R-TAPE & REEL PACKAGING WITHOUT MYLAR  
(FOR 34, 64, 98P ONLY)  
W-TAPE & REEL PACKAGING WITHOUT MYLAR  
(FOR 98P ONLY), WITH 18.0MM CAVITY WIDTH  
A-TAPE & REEL PACKAGING WITH MYLAR  
(FOR 36, 64, 98P)

TAIL LENGTH OPTIONS

CONNECTOR	# POS	REF. N	DIM "A"	DIM "B"	DIM "C"	"E"
1 PORT	36	6	7.65	25.00	9.15	6.00
4 PORT	64	20	21.65	39.00	23.15	20.00
8 PORT	98	37	38.65	56.00	40.15	37.00
16 PORT	164	70	71.65	89.00	73.15	70.00

8.AN ADEQUATE PROCEDURE SET FORTH IN THE FOLLOWING ENSURE THAT THE PRODUCT  
RELIABILITY CAN BE ACHIEVED DURING AND AFTER PCB ASSEMBLY OPERATION.

8.1IF PARTIAL LOT ARE USED, THE REMAINING CONNECTORS MUST BE RESEALED AND  
PLACED IN SAFE STORAGE WITHIN SIX HOURS OF BAG OPENING.

8.2THE SAFE STORAGE CONDITION IS RECOMMENDED AT 25°C, 40%RH.

8.3NOT FOLLOWING THE PROCEDURE MAY CAUSE BLISTER DAMAGE DURING RE-FLOW PROCESS.

8.4IF BAKING IS REQUIRED, CONNECTOR SHALL BE BAKED FOR 4 HOURS AT 125°C.

8.5REFERENCE SPECIFICATION: IPC/JEDEC J-STD-033A.

	DIM "D"	PCB THICKNESS	BOARD LOCKS DIM "G"
0	2.30 +0.25/-0.13	1.56±0.10	1.70±0.15
1	3.10 +0.25/-0.13	2.36±0.10	2.50±0.15
2	2.54±0.25	1.56±0.10	1.70±0.15
3	1.90±0.25	1.56±0.10	1.70±0.15
4	3.10 +0.25/-0.13	2.0±0.10	1.70±0.15

mat'l. code				tolerances unless otherwise specified		CUSTOMER COPY		FCI		
ltr	ecn no	dr	date	linear	.X ±	projection	www.fciconnect.com			
					.XX ±		title			
					.XXX ±		PCI EXPRESS GEN3 CARD EDGE ASSY			
				angles	0° ±2°		product family		EDGE CARD	code
				dr	STONE LI 05/27/15		size	dwg no		TWN
				enfr	STONE LI 05/27/15		scale	1:1		sheet
				chr	/ /			A4 10108777		6 of 7
				appd	PM ZHENG 05/27/15					
sheet index	revision sheet						cage code			

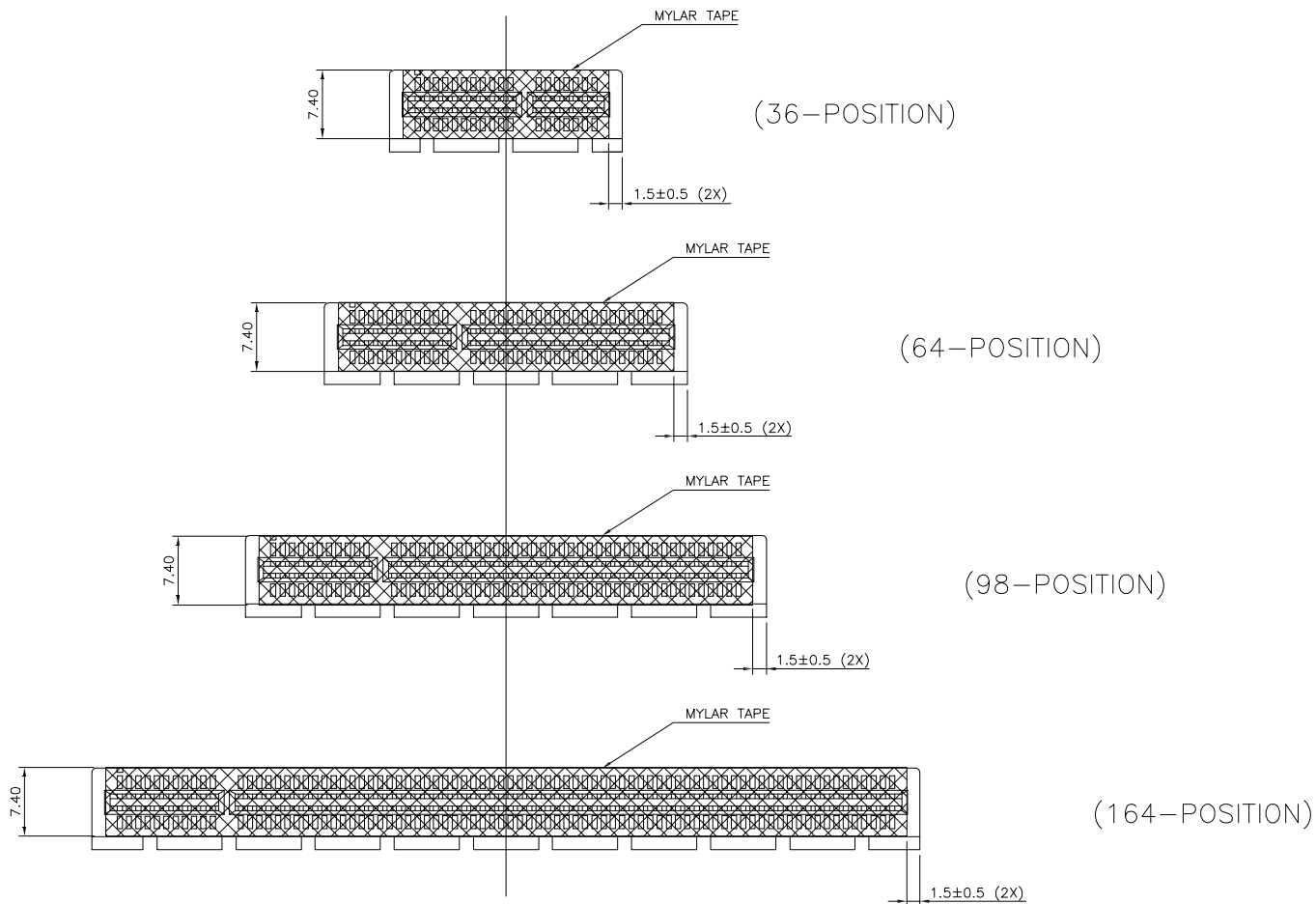

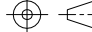


FIGURE 1

mat'l. code				tolerances unless otherwise specified		CUSTOMER COPY	 www.fciconnect.com
ltr	ecn no	dr	date	linear	.X ± 0.25		
					.XX ± 0.13		PCI EXPRESS GEN3 CARD EDGE ASS'Y
				angles	.XXX ± 0.05		
					0° ±2°	MM	product family
				dr	STONE LI 05/27/15		scale
				enr	STONE LI 05/27/15	1.5:1	size
				chr	/ /		A4
				appd	PM ZHENG 05/27/15		10108777
sheet index	revision sheet						code
							TWN
							sheet
							7 of

cage code



## Стандарт Электрон Связь

Мы молодая и активно развивающаяся компания в области поставок электронных компонентов. Мы поставляем электронные компоненты отечественного и импортного производства напрямую от производителей и с крупнейших складов мира.

Благодаря сотрудничеству с мировыми поставщиками мы осуществляем комплексные и плановые поставки широчайшего спектра электронных компонентов.

Собственная эффективная логистика и склад в обеспечивает надежную поставку продукции в точно указанные сроки по всей России.

Мы осуществляем техническую поддержку нашим клиентам и предпродажную проверку качества продукции. На все поставляемые продукты мы предоставляем гарантию .

Осуществляем поставки продукции под контролем ВП МО РФ на предприятия военно-промышленного комплекса России , а также работаем в рамках 275 ФЗ с открытием отдельных счетов в уполномоченном банке. Система менеджмента качества компании соответствует требованиям ГОСТ ISO 9001.

Минимальные сроки поставки, гибкие цены, неограниченный ассортимент и индивидуальный подход к клиентам являются основой для выстраивания долгосрочного и эффективного сотрудничества с предприятиями радиоэлектронной промышленности, предприятиями ВПК и научно-исследовательскими институтами России.

С нами вы становитесь еще успешнее!

### Наши контакты:

**Телефон:** +7 812 627 14 35

**Электронная почта:** [sales@st-electron.ru](mailto:sales@st-electron.ru)

**Адрес:** 198099, Санкт-Петербург,  
Промышленная ул, дом № 19, литера Н,  
помещение 100-Н Офис 331