

**PLEASE CHECK WWW.MOLEX.COM FOR LATEST PART INFORMATION**

**Part Number:** [0751952502](#)  
**Status:** **Active**  
**Overview:** vhdm\_hsd  
**Description:** 2.00mm (.079") Pitch 6-Row VHDM® Lite Backplane Header, Left Shield End Version, 6 Row, 150 Circuits, Pin Length 6.25mm (.246")

**Documents:**

[Drawing \(PDF\)](#) [RoHS Certificate of Compliance \(PDF\)](#)  
[Product Specification PS-74031-999 \(PDF\)](#)

**General**

Product Family	Backplane Connectors
Series	<a href="#">75195</a>
Application	Backplane
Application Tooling Documents	<a href="http://www.molex.com/pdm_docs/ats/TM-622010999.pdf">Tooling Manual</a>
Comments	No Keying Position
Component Type	PCB Header
Overview	<a href="#">vhdm_hsd</a>
Product Name	VHDM Lite®
Style	N/A

**Physical**

Circuits (Loaded)	150
Circuits (maximum)	150
Color - Resin	Black
Durability (mating cycles max)	200
First Mate / Last Break	No
Guide to Mating Part	Yes
Keying to Mating Part	None
Material - Metal	High Performance Alloy (HPA), Stainless Steel
Material - Plating Mating	Gold
Material - Plating Termination	Tin-Lead
Material - Resin	High Temperature Thermoplastic
Number of Columns	25
Number of Pairs	Open Pin Field
Number of Rows	6
Orientation	Vertical
PC Tail Length (in)	0.098 In
PC Tail Length (mm)	2.50 mm
PCB Locator	No
PCB Retention	Yes
PCB Thickness Recommended (in)	0.071 In
PCB Thickness Recommended (mm)	1.80 mm
Packaging Type	Tube
Pitch - Mating Interface (in)	0.079 In
Pitch - Mating Interface (mm)	2.00 mm
Pitch - Term. Interface (in)	0.079 In
Pitch - Term. Interface (mm)	2.00 mm
Plating min: Mating (µin)	30
Plating min: Mating (µm)	0.75
Plating min: Termination (µin)	30
Plating min: Termination (µm)	0.75
Polarized to PCB	No
Stackable	No
Surface Mount Compatible (SMC)	Yes

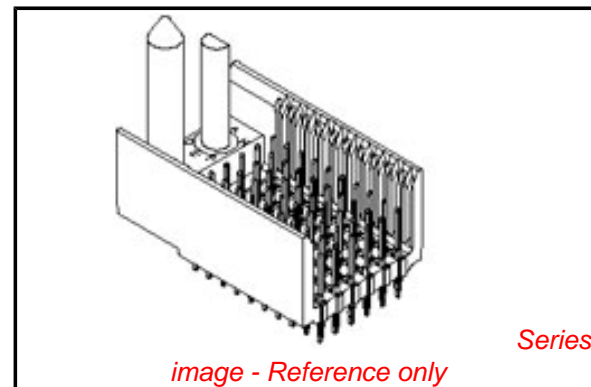


image - Reference only

**EU RoHS**

**RoHS Compliant by Exemption**

**REACH SVHC**

**Contains SVHC: No**

**Halogen-Free**

**Status**

**Halogen-Free**

**China RoHS**



Pb

**Need more information on product environmental compliance?**

Email [productcompliance@molex.com](mailto:productcompliance@molex.com)  
 For a multiple part number RoHS Certificate of Compliance, [click here](#)

Please visit the [Contact Us](#) section for any non-product compliance questions.

**Search Parts in this Series**

[75195Series](#)

**Mates With**

[75189 VHDM® Lite Board-to-Board Daughtercard](#)

**Use With**

[Daughtercard Modules](#)

**Application Tooling | FAQ**

*Tooling specifications and manuals are found by selecting the products below. Crimp Height Specifications are then contained in the Application Tooling Specification document.*

**Global**

Description	Product #
VHDM® Signal Pin Inserter Repair Tool	<a href="#">0622015700</a>
VHDM® Insertion Module for Standard Shield Signal Header, 6 Row by	<a href="#">0622020208</a>

Temperature Range - Operating  
Termination Interface: Style

105°C  
Through Hole - Compliant Pin

25 Wide, 50.00mm  
(1.97")

### Electrical

Current - Maximum per Contact 2A  
Data Rate 622.0 Mbps  
Real Signals (per 25mm) 76  
Shielded No  
Voltage - Maximum 120V AC (RMS)/DC

### Material Info

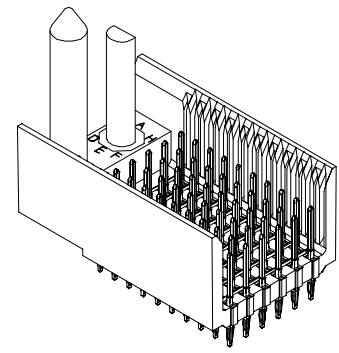
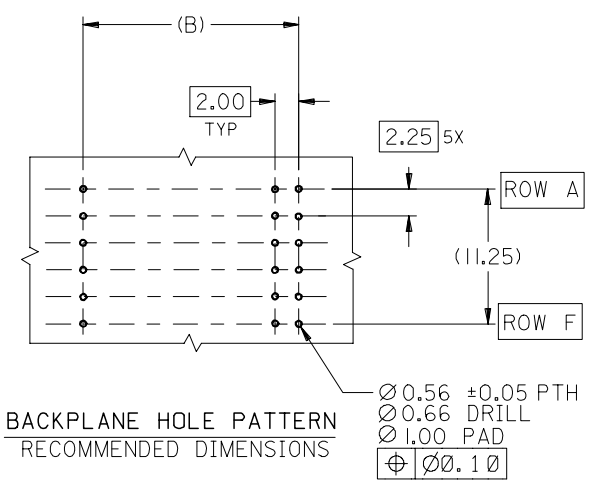
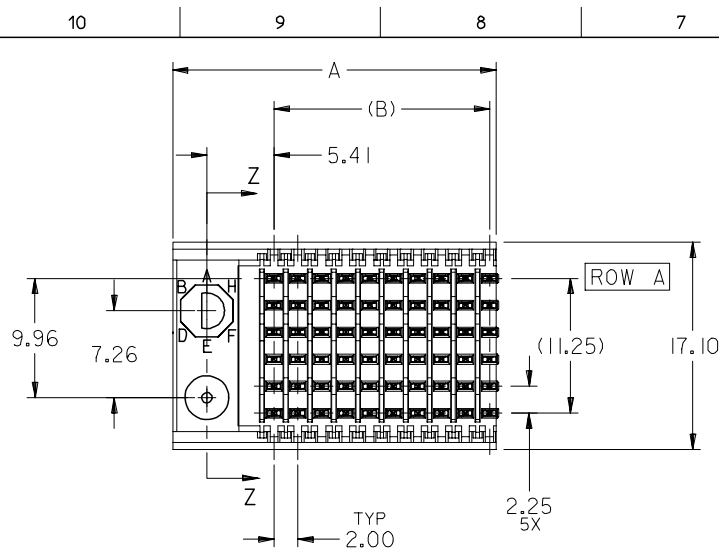
### Reference - Drawing Numbers

Product Specification PS-74031-999  
Sales Drawing SD-75195-001

VHDM and Very High Density Metric are trademarks of Amphenol Corporation

This document was generated on 05/28/2010

**PLEASE CHECK [WWW.MOLEX.COM](http://WWW.MOLEX.COM) FOR LATEST PART INFORMATION**

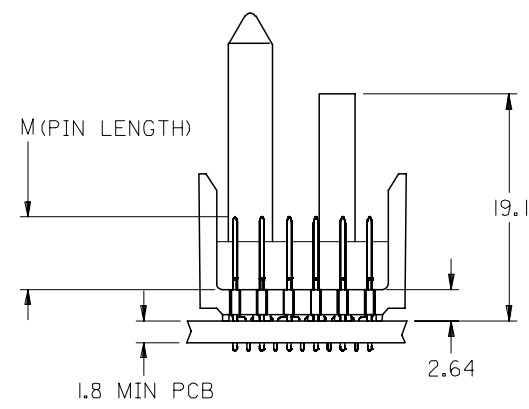
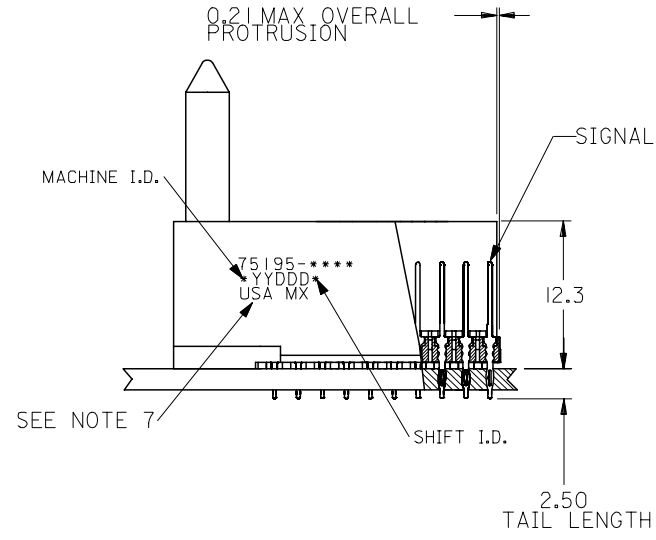


BACKPLANE HOLE PATTERN  
RECOMMENDED DIMENSIONS

Ø 0.56 ± 0.05 PTH  
Ø 0.66 DRILL  
Ø 1.00 PAD  
Ø 0.10

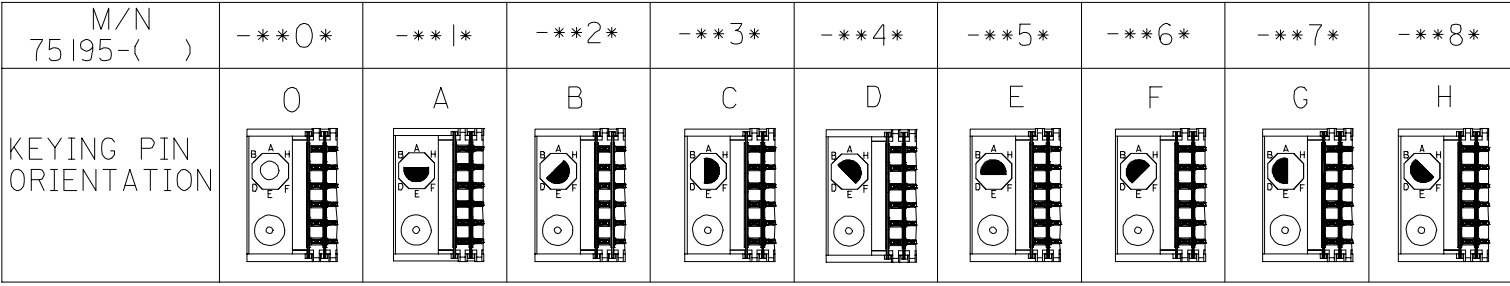
NOTES:

- MATERIALS:  
HOUSING - LIQUID CRYSTAL POLYMER (LCP),  
GLASS-FILLED, UL 94V-0, COLOR: BLACK  
SIGNAL PIN - COPPER ALLOY
- FINISHES:  
CONTACT AREA: SELECTIVE GOLD (Au)  
PCB TAILS: SELECTIVE TIN/LEAD (Sn/Pb)  
OR SELECTIVE MATTE TIN (Sn)  
NICKEL (Ni) OVERALL.
- THIS PART CONFORMS TO MOLEX PRODUCT  
SPECIFICATION PS-74031-999
- FOR MIXED CONTACT LENGTHS CONSULT  
MOLEX FOR AVAILABILITY
- FOR SPECIFIC MATERIAL NUMBERS & MATING  
INFORMATION REFER TO SHEET 2
- PACKAGE PER PK-74058-003
- EITHER MARK PART WITH PART NUMBER & DATE  
CODE APPROXIMATELY WHERE SHOWN OR PLACE  
LABEL ON THE TUBE.



ADD LEADFREE PINS EC NO: UCP2006-0059 DRWN: KMULVEY 2005/07/13 CHKD: 2005/07/13 APPR: SREED 2005/07/15	QUALITY SYMBOLS ▽=0 ▽=0	GENERAL TOLERANCES (UNLESS SPECIFIED)		DIMENSION STYLE MM ONLY		SCALE 2.5:1	DESIGN UNITS METRIC	THIRD ANGLE PROJECTION		
			mm	INCH	DRAWN BY MBANDURA	DATE 2003/01/06	TITLE <b>VHDM LITE 6 ROW SIGNAL END BACKPLANE SALES ASSEMBLY</b>			
		4 PLACES	± ---	± ---	CHECKED BY NMARTIN	DATE 2003/01/06				
		3 PLACES	± ---	± ---	APPROVED BY CBIXLER	DATE 2003/01/06	MOLEX INCORPORATED MATERIAL NO. SEE SHEET 2 DOCUMENT NO. SD-75195-001			
2 PLACES	± ---	± ---	DRAFT WHERE APPLICABLE MUST REMAIN WITHIN DIMENSIONS		SHEET NO. 1 OF 2					
1 PLACE	± ---	± ---	ANGULAR ±1/2°		THIS DRAWING CONTAINS INFORMATION THAT IS PROPRIETARY TO MOLEX INCORPORATED AND SHOULD NOT BE USED WITHOUT WRITTEN PERMISSION					

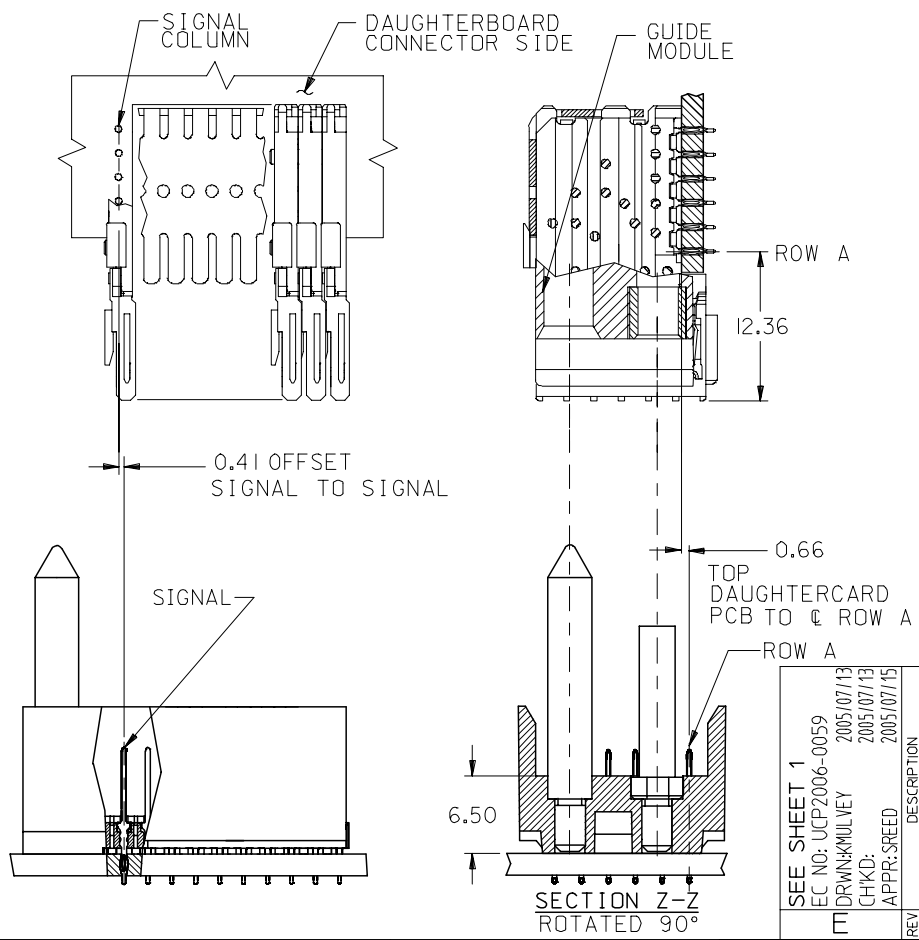
10 9 8 7 6 5 4 3 2 1



75195 \* \* \* \*

COLUMN/PLATING  
 10 = 10 COLUMN TIN/LEAD  
 25 = 25 COLUMN TIN/LEAD  
 90 = 10 COLUMN MATTE TIN  
 85 = 25 COLUMN MATTE TIN

CONTACT LOAD  
 (PIN HEIGHT)  
 1 = 4.75  
 2 = 6.25  
 3 = 4.25  
 4 = 5.15



PART NUMBER	COLUMN	NUMBER OF SIGNAL PIN	NUMBER OF SHIELD	A	B	M	Au (um) THICKNESS	Sn (um) THICKNESS
75195-*0*1	10	60	0	27.00	18.00	4.75	0.76	0.76-1.52
75195-*5*1	25	150	0	57.00	48.00		---	
75195-*0*2	10	60	0	27.00	18.00	6.25	0.76	
75195-*5*2	25	150	0	57.00	48.00		---	
75195-*0*3	10	60	0	27.00	18.00	4.25	0.76	
75195-*5*3	25	150	0	57.00	48.00		---	
75195-*0*4	10	60	0	27.00	18.00	5.15	0.76	
75195-*5*4	25	150	0	57.00	48.00		---	

ib\_frame\_B\_P\_ME\_T  
Rev. D 2004/04/02

9 8 7 6 5 4 3 2 1

SEE SHEET 1  
 EC NO: UCP2006-0059  
 DRWN: KMILVEY 2005/07/13  
 CHKD: 2005/07/13  
 APPR: SREED 2005/07/15

QUALITY SYMBOLS  
 $\nabla=0$   
 $\nabla=0$

GENERAL TOLERANCES (UNLESS SPECIFIED)

	mm	INCH
4 PLACES	$\pm$ ---	$\pm$ ---
3 PLACES	$\pm$ ---	$\pm$ ---
2 PLACES	$\pm$ ---	$\pm$ ---
1 PLACE	$\pm$ ---	$\pm$ ---

ANGULAR  $\pm 1/2^\circ$

DRAFT WHERE APPLICABLE  
MUST REMAIN WITHIN DIMENSIONS

DIMENSION STYLE  
MM ONLY

SCALE  
2.5:1

DESIGN UNITS  
METRIC

THIRD ANGLE PROJECTION

DRAWN BY: MBANDURA DATE: 2003/01/06  
 CHECKED BY: NMARTIN DATE: 2003/01/06  
 APPROVED BY: CBIXLER DATE: 2003/01/06

MATERIAL NO. SEE CHART  
 DOCUMENT NO. SD-75195-001

TITLE  
VHDM LITE 6 ROW  
SIGNAL END BACKPLANE  
SALES ASSEMBLY

MOLEX INCORPORATED

SHEET NO.  
2 OF 2

THIS DRAWING CONTAINS INFORMATION THAT IS PROPRIETARY TO MOLEX INCORPORATED AND SHOULD NOT BE USED WITHOUT WRITTEN PERMISSION



## Стандарт Электрон Связь

Мы молодая и активно развивающаяся компания в области поставок электронных компонентов. Мы поставляем электронные компоненты отечественного и импортного производства напрямую от производителей и с крупнейших складов мира.

Благодаря сотрудничеству с мировыми поставщиками мы осуществляем комплексные и плановые поставки широчайшего спектра электронных компонентов.

Собственная эффективная логистика и склад в обеспечивает надежную поставку продукции в точно указанные сроки по всей России.

Мы осуществляем техническую поддержку нашим клиентам и предпродажную проверку качества продукции. На все поставляемые продукты мы предоставляем гарантию .

Осуществляем поставки продукции под контролем ВП МО РФ на предприятия военно-промышленного комплекса России , а также работаем в рамках 275 ФЗ с открытием отдельных счетов в уполномоченном банке. Система менеджмента качества компании соответствует требованиям ГОСТ ISO 9001.

Минимальные сроки поставки, гибкие цены, неограниченный ассортимент и индивидуальный подход к клиентам являются основой для выстраивания долгосрочного и эффективного сотрудничества с предприятиями радиоэлектронной промышленности, предприятиями ВПК и научно-исследовательскими институтами России.

С нами вы становитесь еще успешнее!

### Наши контакты:

**Телефон:** +7 812 627 14 35

**Электронная почта:** [sales@st-electron.ru](mailto:sales@st-electron.ru)

**Адрес:** 198099, Санкт-Петербург,  
Промышленная ул, дом № 19, литера Н,  
помещение 100-Н Офис 331