

## FEATURES

- **SO-8 Package (LTC1595)**
- **DNL and INL: 1LSB Max**
- **Low Glitch Impulse: 1nV-s Typ**
- **Fast Settling to 1LSB: 2 $\mu$ s (with LT1468)**
- Pin Compatible with Industry Standard 12-Bit DACs: DAC8043 and DAC8143/AD7543
- 4-Quadrant Multiplication
- Low Supply Current: 10 $\mu$ A Max
- Power-On Reset
  - LTC1595/LTC1596: Resets to Zero-Scale
  - LTC1596-1: Resets to Mid-Scale
- 3-Wire SPI and MICROWIRE Compatible Serial Interface
- Daisy-Chain Serial Output (LTC1596)
- Asynchronous Clear Input
  - LTC1596: Clears to Zero-Scale
  - LTC1596-1: Clears to Mid-Scale

## APPLICATIONS

- Process Control and Industrial Automation
- Software Controlled Gain Adjustment
- Digitally Controlled Filter and Power Supplies
- Automatic Test Equipment

## DESCRIPTION

The **LTC<sup>®</sup>1595/LTC1596/LTC1596-1** are serial input, 16-bit multiplying current output DACs. The LTC1595 is pin and hardware compatible with the 12-bit DAC8043 and comes in 8-pin PDIP and SO packages. The LTC1596 is pin and hardware compatible with the 12-bit DAC8143/AD7543 and comes in the 16-pin SO wide package.

Both are specified over the industrial temperature range. Sensitivity of INL to op amp  $V_{OS}$  is reduced by five times compared to the industry standard 12-bit DACs, so most systems can be easily upgraded to true 16-bit resolution and linearity without requiring more precise op amps.

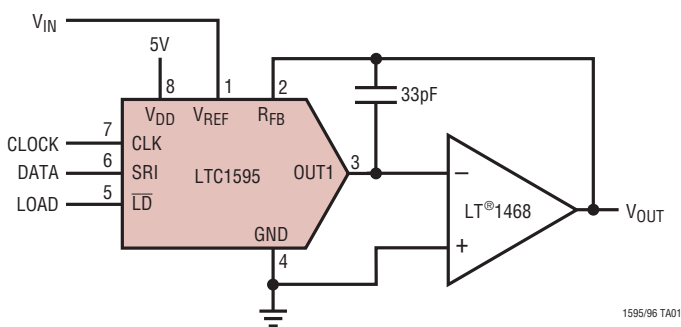
These DACs include an internal deglitching circuit that reduces the glitch impulse by more than ten times to less than 1nV-s typ.

The DACs have a clear input and a power-on reset. The LTC1595 and LTC1596 reset to zero-scale. The LTC1596-1 is a version of the LTC1596 that resets to mid-scale.

LT, LT, LTC, LTM, Linear Technology and the Linear logo are registered trademarks of Linear Technology Corporation. All other trademarks are the property of their respective owners.

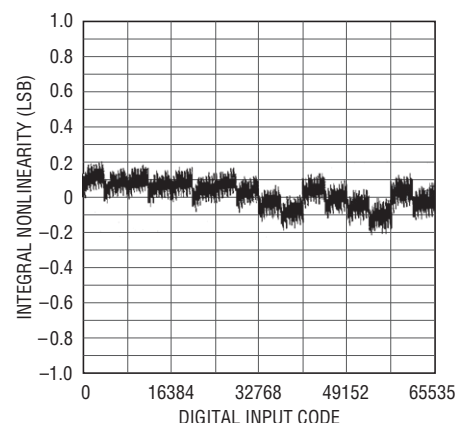
## TYPICAL APPLICATION

### SO-8 Multiplying 16-Bit DAC Has Easy 3-Wire Serial Interface



1595/96 TA01

### Integral Nonlinearity



1595/96 TA02

159561fc

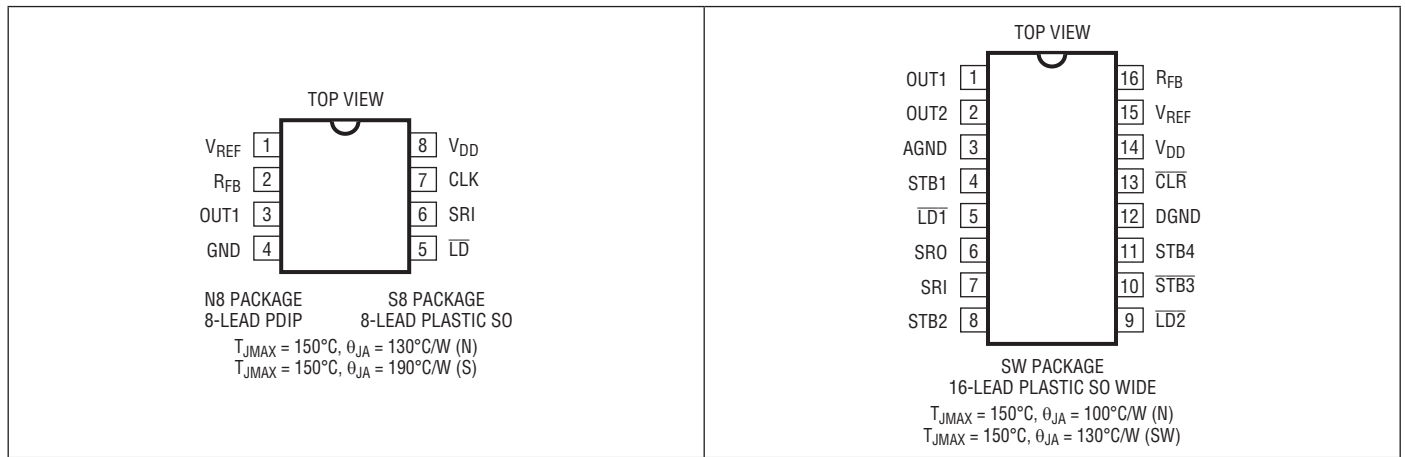
# LTC1595/LTC1596/LTC1596-1

## ABSOLUTE MAXIMUM RATINGS

(Note 1)

$V_{DD}$ to AGND.....	-0.5V to 7V	$V_{OUT1}, V_{OUT2}$ to AGND .....	-0.5V to ( $V_{DD} + 0.5V$ )
$V_{DD}$ to DGND.....	-0.5V to 7V	Maximum Junction Temperature .....	150°C
AGND to DGND .....	$V_{DD} + 0.5V$	Operating Temperature Range	
DGND to AGND .....	$V_{DD} + 0.5V$	LTC1595C/LTC1596C/LTC1596-1C .....	0°C to 70°C
$V_{REF}$ to AGND, DGND .....	$\pm 25V$	LTC1595I/LTC1596I/LTC1596-1I .....	-40°C to 85°C
$R_{FB}$ to AGND, DGND.....	$\pm 25V$	Storage Temperature Range .....	-65°C to 150°C
Digital Inputs to DGND .....	-0.5V to ( $V_{DD} + 0.5V$ )	Lead Temperature (Soldering, 10 sec).....	300°C

## PIN CONFIGURATION



## ORDER INFORMATION

LEAD FREE FINISH	TAPE AND REEL	PART MARKING*	PACKAGE DESCRIPTION	TEMPERATURE RANGE
LTC1595ACN8#PBF	LTC1595ACN8#TRPBF	LTC1595ACN8	8-Lead PDIP	0°C to 70°C
LTC1595ACS8#PBF	LTC1595ACS8#TRPBF	1595A	8-Lead Plastic SO	0°C to 70°C
LTC1595BCN8#PBF	LTC1595BCN8#TRPBF	LTC1595BCN8	8-Lead PDIP	0°C to 70°C
LTC1595BCS8#PBF	LTC1595BCS8#TRPBF	1595B	8-Lead Plastic SO	0°C to 70°C
LTC1595CCN8#PBF	LTC1595CCN8#TRPBF	LTC1595CCN8	8-Lead PDIP	0°C to 70°C
LTC1595CCS8#PBF	LTC1595CCS8#TRPBF	1595C	8-Lead Plastic SO	0°C to 70°C
LTC1595AIN8#PBF	LTC1595AIN8#TRPBF	LTC1595AIN8	8-Lead PDIP	-40°C to 85°C
LTC1595AIS8#PBF	LTC1595AIS8#TRPBF	1595AI	8-Lead Plastic SO	-40°C to 85°C
LTC1595BIN8#PBF	LTC1595BIN8#TRPBF	LTC1595BIN8	8-Lead PDIP	-40°C to 85°C
LTC1595BIS8#PBF	LTC1595BIS8#TRPBF	1595BI	8-Lead Plastic SO	-40°C to 85°C
LTC1595CIN8#PBF	LTC1595CIN8#TRPBF	LTC1595CIN8	8-Lead PDIP	-40°C to 85°C
LTC1595CIS8#PBF	LTC1595CIS8#TRPBF	1595CI	8-Lead Plastic SO	-40°C to 85°C
LTC1596ACSW#PBF	LTC1596ACSW#TRPBF	LTC1596ACSW	16-Lead Plastic SO Wide	0°C to 70°C
LTC1596BCSW#PBF	LTC1596BCSW#TRPBF	LTC1596BCSW	16-Lead Plastic SO Wide	0°C to 70°C
LTC1596CCSW#PBF	LTC1596CCSW#TRPBF	LTC1596CCSW	16-Lead Plastic SO Wide	0°C to 70°C
LTC1596AISW#PBF	LTC1596AISW#TRPBF	LTC1596AISW	16-Lead Plastic SO Wide	-40°C to 85°C
LTC1596BISW#PBF	LTC1596BISW#TRPBF	LTC1596BISW	16-Lead Plastic SO Wide	-40°C to 85°C
LTC1596CISW#PBF	LTC1596CISW#TRPBF	LTC1596CISW	16-Lead Plastic SO Wide	-40°C to 85°C
LTC1596-1ACSW#PBF	LTC1596-1ACSW#TRPBF	LTC1596-1ACSW	16-Lead Plastic SO Wide	0°C to 70°C
LTC1596-1BCSW#PBF	LTC1596-1BCSW#TRPBF	LTC1596-1BCSW	16-Lead Plastic SO Wide	0°C to 70°C
LTC1596-1CCSW#PBF	LTC1596-1CCSW#TRPBF	LTC1596-1CCSW	16-Lead Plastic SO Wide	0°C to 70°C
LTC1596-1AISW#PBF	LTC1596-1AISW#TRPBF	LTC1596-1AISW	16-Lead Plastic SO Wide	-40°C to 85°C
LTC1596-1BISW#PBF	LTC1596-1BISW#TRPBF	LTC1596-1BISW	16-Lead Plastic SO Wide	-40°C to 85°C
LTC1596-1CISW#PBF	LTC1596-1CISW#TRPBF	LTC1596-1CISW	16-Lead Plastic SO Wide	-40°C to 85°C

Consult LTC Marketing for parts specified with wider operating temperature ranges.

Consult LTC Marketing for information on non-standard lead based finish parts.

For more information on lead free part marking, go to: <http://www.linear.com/leadfree/>

For more information on tape and reel specifications, go to: <http://www.linear.com/tapeandreel/>

# LTC1595/LTC1596/LTC1596-1

**ELECTRICAL CHARACTERISTICS** The ● denotes the specifications which apply over the full operating temperature range, otherwise specifications are at  $T_A = 25^\circ\text{C}$ .  $V_{DD} = 5V \pm 10\%$ ,  $V_{REF} = 10V$ ,  $V_{OUT1} = V_{OUT2} = \text{AGND} = 0V$ ,  $T_A = T_{MIN}$  to  $T_{MAX}$ , unless otherwise noted.

SYMBOL	PARAMETER	CONDITIONS	LTC1595A/96A/96-1A			LTC1595B/96B/96-1B			LTC1595C/96C/96-1C			UNITS
			MIN	TYP	MAX	MIN	TYP	MAX	MIN	TYP	MAX	
<b>Accuracy</b>												
	Resolution		●	16			16		16			Bits
	Monotonicity		●	16			16		15			Bits
INL	Integral Nonlinearity	(Note 2) $T_A = 25^\circ\text{C}$ $T_{MIN}$ to $T_{MAX}$	●		$\pm 0.25$ $\pm 0.35$	$\pm 1$ $\pm 1$		$\pm 2$ $\pm 2$		$\pm 4$ $\pm 4$		LSB LSB
DNL	Differential Nonlinearity	$T_A = 25^\circ\text{C}$ $T_{MIN}$ to $T_{MAX}$	●		$\pm 0.2$ $\pm 0.2$	$\pm 1$ $\pm 1$		$\pm 1$ $\pm 1$		$\pm 2$ $\pm 2$		LSB LSB
GE	Gain Error	(Note 3) $T_A = 25^\circ\text{C}$ $T_{MIN}$ to $T_{MAX}$	●		2 3	$\pm 16$ $\pm 16$		$\pm 16$ $\pm 32$		$\pm 32$ $\pm 32$		LSB LSB

$V_{DD} = 5V \pm 10\%$ ,  $V_{REF} = 10V$ ,  $V_{OUT1} = V_{OUT2} = \text{AGND} = 0V$ ,  $T_A = T_{MIN}$  to  $T_{MAX}$ , unless otherwise noted.

SYMBOL	PARAMETER	CONDITIONS	MIN	TYP	MAX	UNITS
	Gain Temperature Coefficient	(Note 4) $\Delta\text{Gain}/\Delta\text{Temperature}$		1	2	ppm/ $^\circ\text{C}$
$I_{LEAKAGE}$	OUT1 Leakage Current	(Note 5) $T_A = 25^\circ\text{C}$ $T_{MIN}$ to $T_{MAX}$			$\pm 3$ $\pm 15$	nA nA
	Zero-Scale Error	$T_A = 25^\circ\text{C}$ $T_{MIN}$ to $T_{MAX}$			$\pm 0.2$ $\pm 1$	LSB LSB
PSRR	Power Supply Rejection	$V_{DD} = 5V \pm 10\%$		$\pm 1$	$\pm 2$	LSB/V

## Reference Input

$R_{REF}$	$V_{REF}$ Input Resistance	(Note 6)	●	5	7	10	k $\Omega$
-----------	----------------------------	----------	---	---	---	----	------------

## AC Performance

	Output Current Settling Time	(Notes 7, 8)		1		$\mu\text{s}$
	Mid-Scale Glitch Impulse	Using LT1122 Op Amp, $C_{FEEDBACK} = 33\text{pF}$		1		nV-s
	Digital-to-Analog Glitch Impulse	Full-Scale Transition, $V_{REF} = 0V$ , Using LT1122 Op Amp, $C_{FEEDBACK} = 33\text{pF}$		2		nV-s
	Multiplying Feedthrough Error	$V_{REF} = \pm 10V$ , 10kHz Sine Wave		1		mV <sub>P-P</sub>
THD	Total Harmonic Distortion	(Note 9)		108		dB
	Equivalent DAC Thermal Noise Voltage Density	(Note 10) $f = 1\text{kHz}$		11		nV/ $\sqrt{\text{Hz}}$

## Analog Outputs (Note 4)

$C_{OUT}$	Output Capacitance (Note 4)	DAC Register Loaded to All 1s, $C_{OUT1}$	●	115	130	pF
		DAC Register Loaded to All 0s, $C_{OUT1}$	●	70	80	pF

## Digital Inputs

$V_{IH}$	Digital Input High Voltage		●	2.4		V
$V_{IL}$	Digital Input Low Voltage		●		0.8	V
$I_{IN}$	Digital Input Current		●	0.001	$\pm 1$	$\mu\text{A}$
$C_{IN}$	Digital Input Capacitance	(Note 4) $V_{IN} = 0V$	●		8	pF

## Digital Outputs: SRO (LTC1596/LTC1596-1)

$V_{OH}$	Digital Output High Voltage	$I_{OH} = 200\mu\text{A}$	●	4		V
$V_{OL}$	Digital Output Low Voltage	$I_{OL} = 1.6\text{mA}$	●		0.4	V

159561fc

## ELECTRICAL CHARACTERISTICS

The ● denotes the specifications which apply over the full operating temperature range, otherwise specifications are at  $T_A = 25^\circ\text{C}$ .  $V_{DD} = 5V \pm 10\%$ ,  $V_{REF} = 10V$ ,  $V_{OUT1} = GND = 0V$ ,  $T_A = T_{MIN}$  to  $T_{MAX}$ , unless otherwise noted.

SYMBOL	PARAMETER	CONDITIONS	MIN	TYP	MAX	UNITS
<b>Timing Characteristics (LTC1595)</b>						
$t_{DS}$	Serial Input to CLK Setup Time		●	30	5	ns
$t_{DH}$	Serial Input to CLK Hold Time		●	30	5	ns
$t_{SRI}$	Serial Input Data Pulse Width		●	60		ns
$t_{CH}$	Clock Pulse Width High		●	60		ns
$t_{CL}$	Clock Pulse Width Low		●	60		ns
$t_{LD}$	Load Pulse Width		●	60		ns
$t_{ASB}$	LSB Clocked into Input Register to DAC Register Load Time		●	0		ns

$V_{DD} = 5V \pm 10\%$ ,  $V_{REF} = 10V$ ,  $V_{OUT1} = V_{OUT2} = AGND = 0V$ ,  $T_A = T_{MIN}$  to  $T_{MAX}$ , unless otherwise noted.

SYMBOL	PARAMETER	CONDITIONS	MIN	TYP	MAX	UNITS
<b>Timing Characteristics (LTC1596/LTC1596-1)</b>						
$t_{DS1}$	Serial Input to Strobe Setup Time	STB1 Used as the Strobe	●	30	5	ns
$t_{DS2}$		STB2 Used as the Strobe	●	20	-5	ns
$t_{DS3}$		STB3 Used as the Strobe	●	25	0	ns
$t_{DS4}$		STB4 Used as the Strobe	●	20	-5	ns
$t_{DH1}$	Serial Input to Strobe Hold Time	STB1 Used as the Strobe	●	30	5	ns
$t_{DH2}$		STB2 Used as the Strobe	●	40	15	ns
$t_{DH3}$		STB3 Used as the Strobe	●	35	10	ns
$t_{DH4}$		STB4 Used as the Strobe	●	40	15	ns
$t_{SRI}$	Serial Input Data Pulse Width		●	60		ns
$t_{STB1}$ to $t_{STB4}$	Strobe Pulse Width	(Note 11)	●	60		ns
$\overline{t_{STB1}}$ to $\overline{t_{STB4}}$	Strobe Pulse Width	(Note 12)	●	60		ns
$t_{LD1}$ , $t_{LD2}$	$\overline{LD}$ Pulse Width		●	60		ns
$t_{ASB}$	LSB Strobed Into Input Register to Load DAC Register Time		●	0		ns
$t_{CLR}$	Clear Pulse Width		●	100		ns
$t_{PD1}$	STB1 to SRO Propagation Delay	$C_L = 50\text{pF}$	●	30	150	ns
$t_{PD}$	STB2, STB3, STB4 to SRO Propagation Delay	$C_L = 50\text{pF}$	●	30	200	ns

### Power Supply

SYMBOL	PARAMETER	CONDITIONS	MIN	TYP	MAX	UNITS	
$V_{DD}$	Supply Voltage		●	4.5	5	5.5	V
$I_{DD}$	Supply Current	Digital Inputs = 0V or $V_{DD}$	●		1.5	10	$\mu\text{A}$

**Note 1:** Stresses beyond those listed under Absolute Maximum Ratings may cause permanent damage to the device. Exposure to any Absolute Maximum Rating condition for extended periods may affect device reliability and lifetime.

**Note 2:**  $\pm 1\text{LSB} = \pm 0.0015\%$  of full-scale =  $\pm 15.3\text{ppm}$  of full-scale.

**Note 3:** Using internal feedback resistor.

**Note 4:** Guaranteed by design, not subject to test.

**Note 5:**  $I_{OUT1}$  with DAC register loaded with all 0s.

**Note 6:** Typical temperature coefficient is  $100\text{ppm}/^\circ\text{C}$ .

**Note 7:**  $I_{OUT1}$  load =  $100\Omega$  in parallel with  $13\text{pF}$ .

**Note 8:** To 0.0015% for a full-scale change, measured from the falling edge of  $\overline{LD1}$ ,  $\overline{LD2}$  or  $\overline{LD}$ .

**Note 9:**  $V_{REF} = 6V_{RMS}$  at 1kHz. DAC register loaded with all 1s; op amp = LT1007.

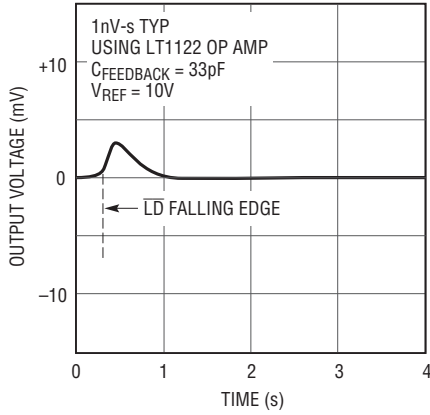
**Note 10:** Calculation from  $e_n = \sqrt{4kTRB}$  where: k = Boltzmann constant ( $J/^\circ\text{K}$ ); R = resistance ( $\Omega$ ); T = temperature ( $^\circ\text{K}$ ); B = bandwidth (Hz).

**Note 11:** Minimum high time for STB1, STB2, STB4. Minimum low time for STB3.

**Note 12:** Minimum low time for STB1, STB2, STB4. Minimum high time for STB3.

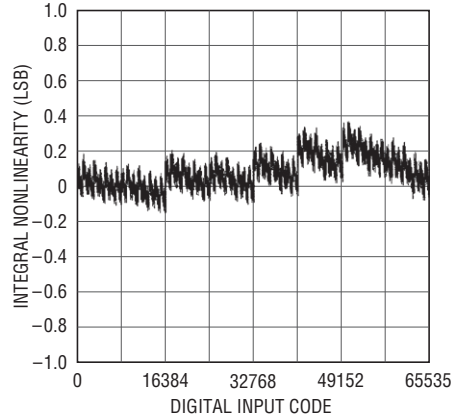
## TYPICAL PERFORMANCE CHARACTERISTICS

### Mid-Scale Glitch Impulse



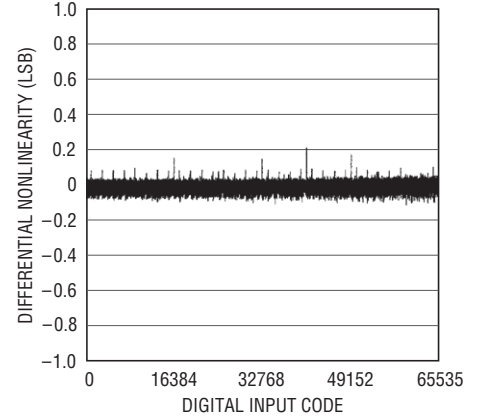
1595/96 G01

### Integral Nonlinearity (INL)



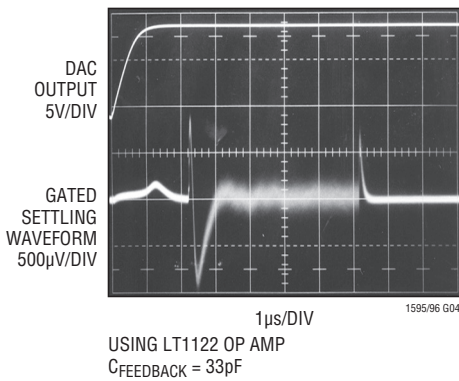
1595/96 G02

### Differential Nonlinearity (INL)



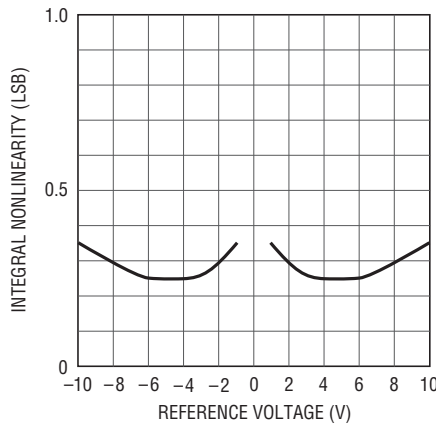
1595/96 G03

### Full-Scale Settling Waveform



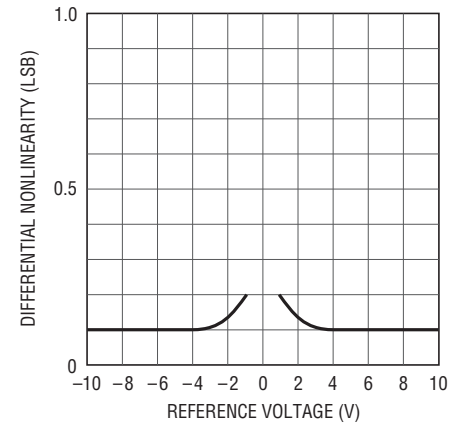
1595/96 G04

### Integral Nonlinearity vs Reference Voltage



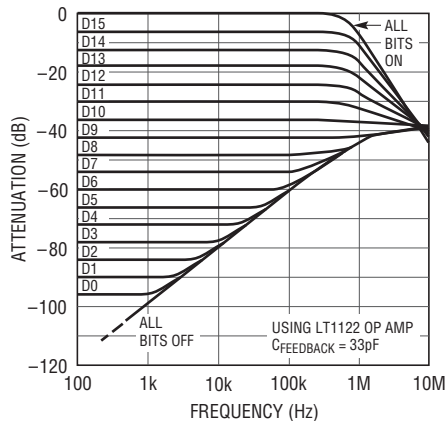
1595/96 G05

### Differential Nonlinearity vs Reference Voltage



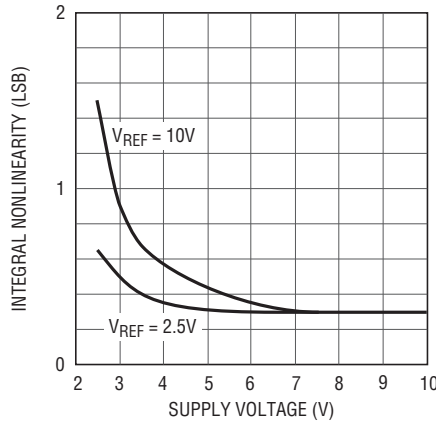
1595/96 G06

### Multiplying Mode Frequency Response vs Digital Code



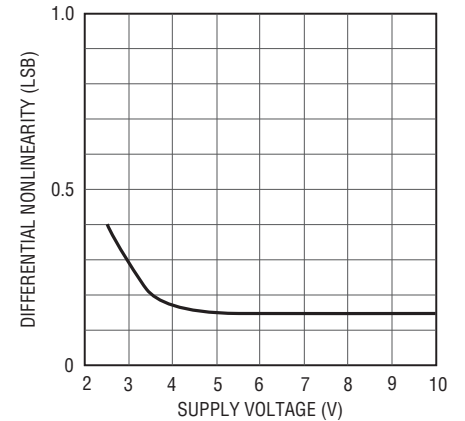
1595/96 G07

### Integral Nonlinearity vs Supply Voltage



1595/96 G08

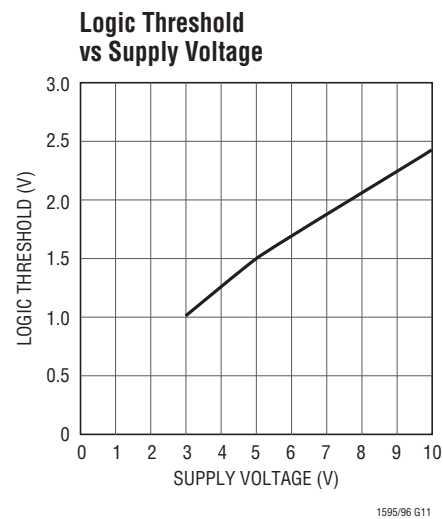
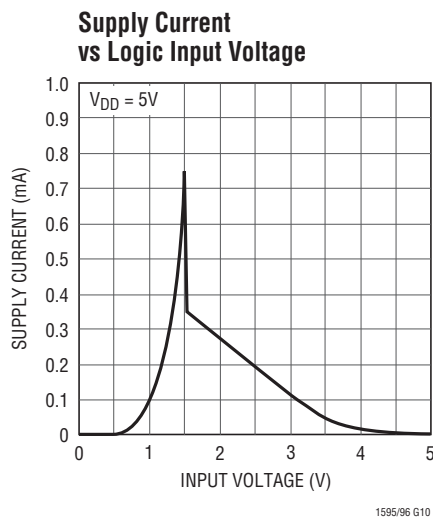
### Differential Nonlinearity vs Supply Voltage



1595/96 G09

159561fc

## TYPICAL PERFORMANCE CHARACTERISTICS



## PIN FUNCTIONS

### LTC1595

**$V_{REF}$  (Pin 1):** Reference Input.

**$R_{FB}$  (Pin 2):** Feedback Resistor. Normally tied to the output of the current to voltage converter op amp.

**OUT1 (Pin 3):** Current Output Pin. Tie to inverting input of current to voltage converter op amp.

**GND (Pin 4):** Ground Pin.

**$\overline{LD}$  (Pin 5):** The Serial Interface Load Control Input. When  $\overline{LD}$  is pulled low, data is loaded from the shift register into the DAC register, updating the DAC output.

**SRI (Pin 6):** The Serial Data Input. Data on the SRI pin is latched into the shift register on the rising edge of the serial clock. Data is loaded MSB first.

**CLK (Pin 7):** The Serial Interface Clock Input.

**$V_{DD}$  (Pin 8):** The Positive Supply Input.  $4.5V \leq V_{DD} \leq 5.5V$ . Requires a bypass capacitor to ground.

### LTC1596/LTC1596-1

**OUT1 (Pin 1):** True Current Output Pin. Tie to inverting input of current to voltage converter op amp.

**OUT2 (Pin 2):** Complement Current Output Pin. Tie to analog ground.

**AGND (Pin 3):** Analog Ground Pin.

**STB1, STB2,  $\overline{STB3}$ , STB4 (Pins 4, 8, 10, 11):** Serial Interface Clock Inputs. STB1, STB2 and STB4 are rising edge triggered inputs.  $\overline{STB3}$  is a falling edge triggered input (see Truth Tables).

**$\overline{LD1}$ ,  $\overline{LD2}$  (Pins 5, 9):** Serial Interface Load Control Inputs. When  $\overline{LD1}$  and  $\overline{LD2}$  are pulled low, data is loaded from the shift register into the DAC register, updating the DAC output (see Truth Tables).

**SRO (Pin 6):** The Output of the Shift Register. Becomes valid on the active edge of the serial clock.

**SRI (Pin 7):** The Serial Data Input. Data on the SRI pin is latched into the shift register on the active edge of the serial clock. Data is loaded MSB first.

**DGND (Pin 12):** Digital Ground Pin.

**$\overline{CLR}$  (Pin 13):** The Clear Pin for the DAC. Clears DAC to zero-scale when pulled low on LTC1596. Clears DAC to mid-scale when pulled low on LTC1596-1. This pin should be tied to  $V_{DD}$  for normal operation.

**$V_{DD}$  (Pin 14):** The Positive Supply Input.  $4.5V \leq V_{DD} \leq 5.5V$ . Requires a bypass capacitor to ground.

**$V_{REF}$  (Pin 15):** Reference Input.

**$R_{FB}$  (Pin 16):** Feedback Resistor. Normally tied to the output of the current to voltage converter op amp.

# LTC1595/LTC1596/LTC1596-1

## TRUTH TABLES

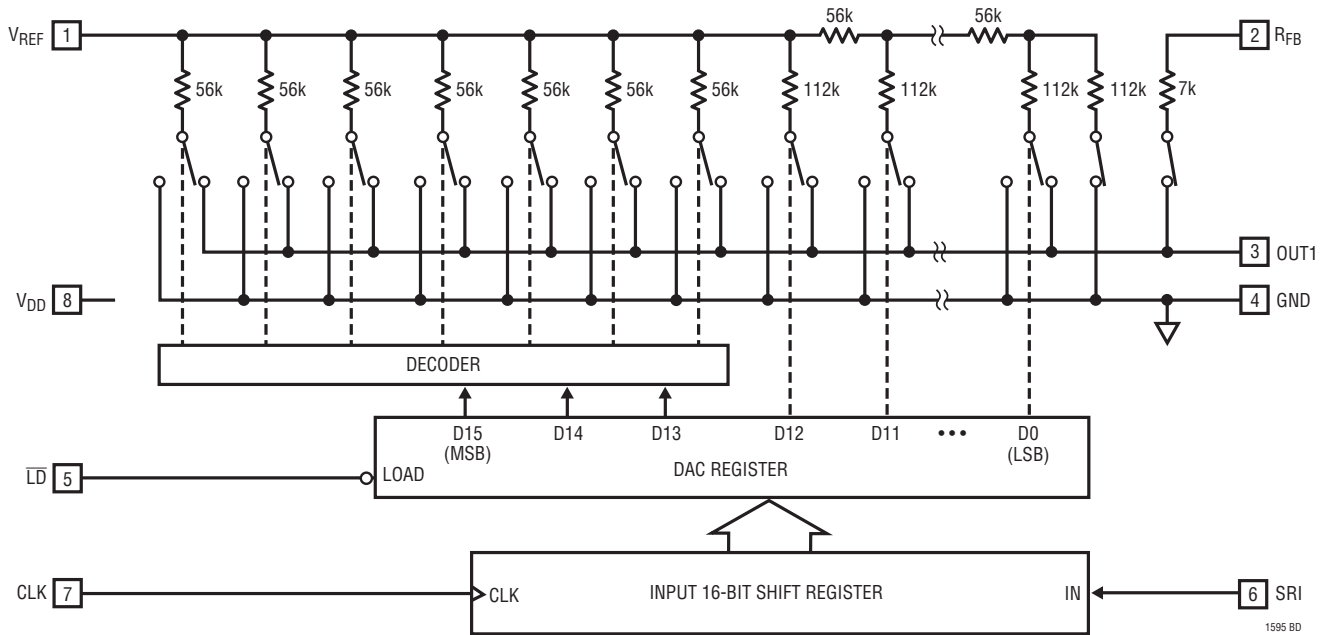
Table 1. LTC1596/LTC1596-1 Input Register

CONTROL INPUTS				INPUT REGISTER AND SRO OPERATION
STB1	STB2	STB3	STB4	
$\overline{\uparrow}$	0	1	0	Serial Data Bit on SRI Loaded Into Input Register, MSB First
0	$\overline{\uparrow}$	1	0	Data Bit or SRI Appears on SRO Pin After 16 Clocked Bits
0	0	$\overline{\downarrow}$	0	
0	0	1	$\overline{\uparrow}$	
1	X	X	X	No Input Register Operation
X	1	X	X	No SRO Operation
X	X	0	X	
X	X	X	1	

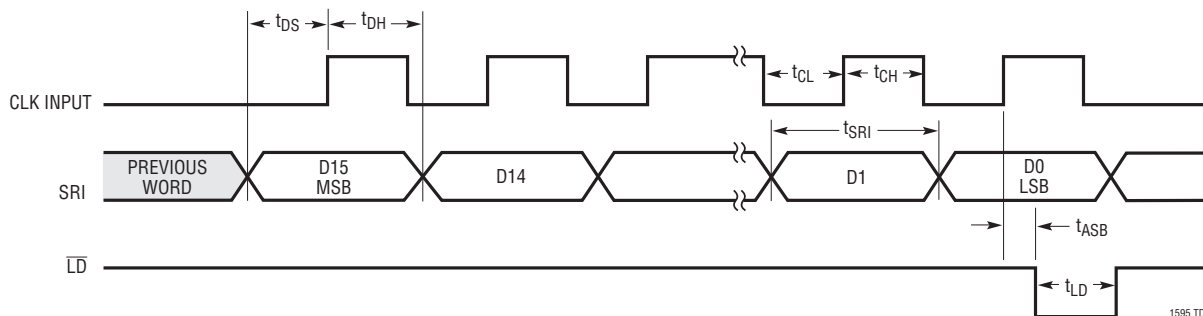
Table 2. LTC1596/LTC1596-1 DAC Register

CONTROL INPUTS			DAC Register Operation
CLR	LD1	LD2	
0	X	X	Reset DAC Register and Input Register to All 0s (LTC1596) or to Mid-Scale (LTC1596-1) (Asynchronous Operation)
1	1	X	No DAC Register Operation
1	X	1	
1	0	0	Load DAC Register with the Contents of Input Register

## BLOCK DIAGRAM (LTC1595)

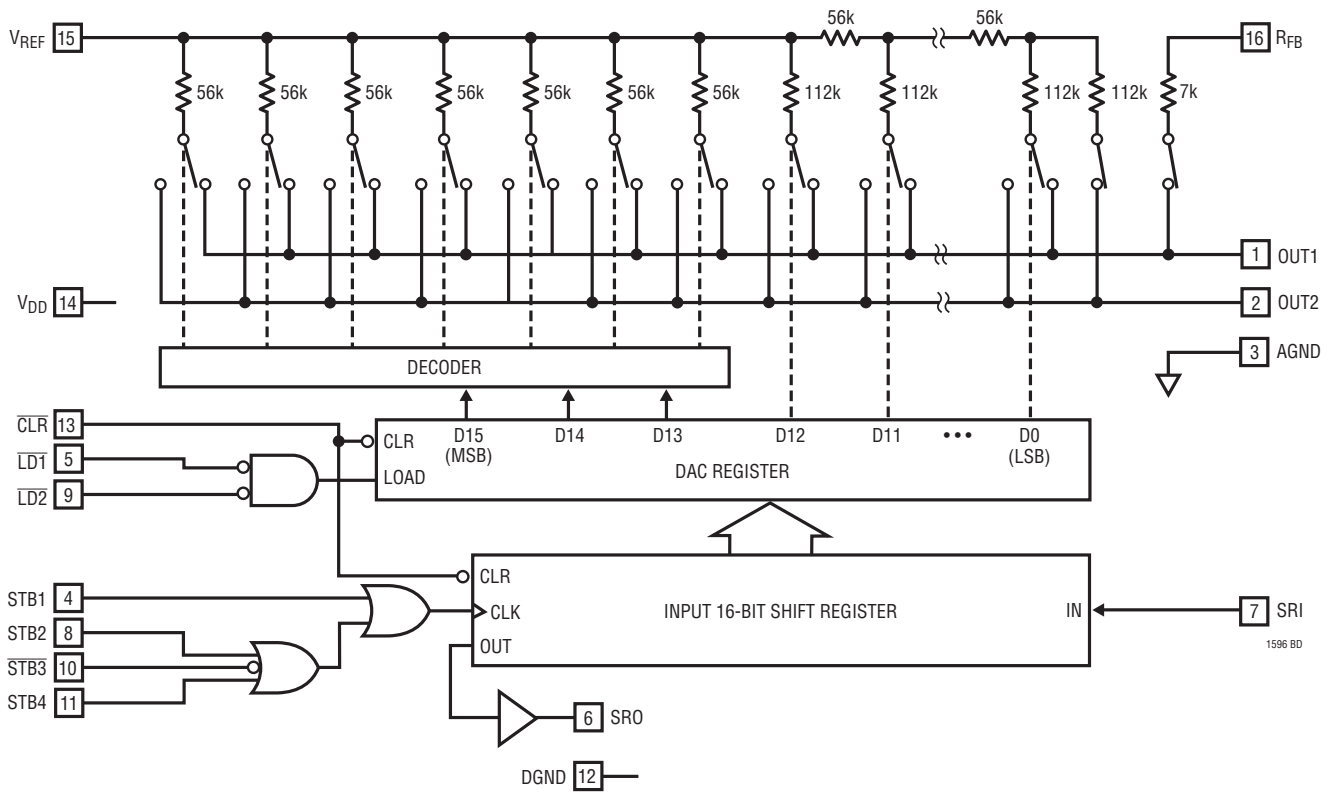


## TIMING DIAGRAM (LTC1595)

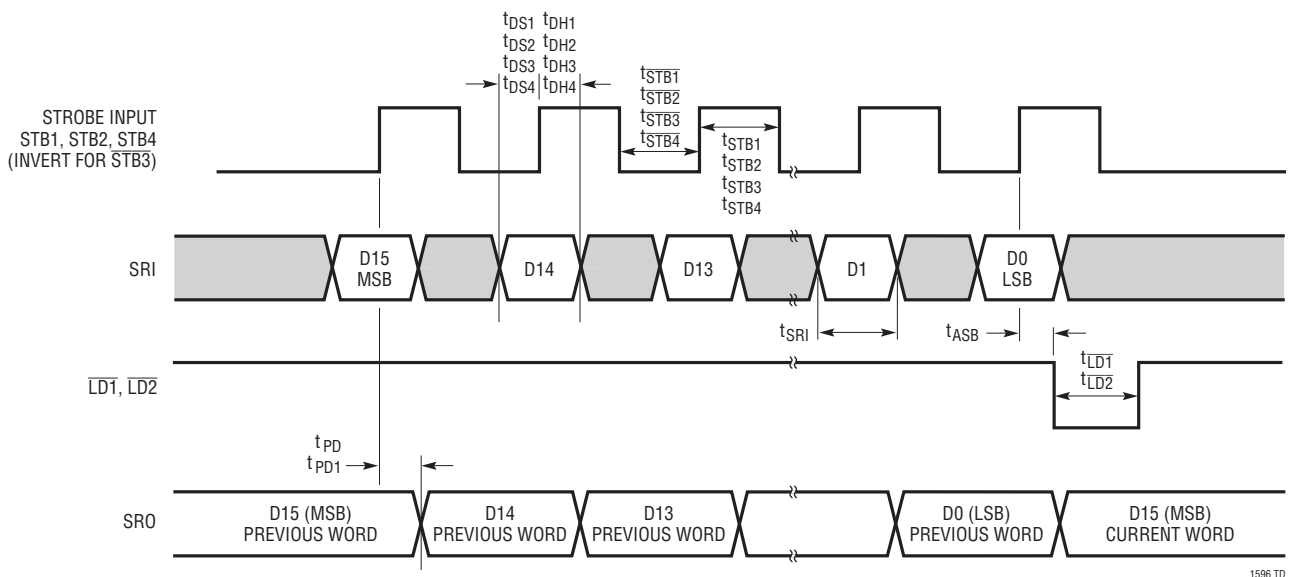




**BLOCK DIAGRAM** (LTC1596/LTC1596-1)



**TIMING DIAGRAM** (LTC1596/LTC1596-1)



## APPLICATIONS INFORMATION

### Description

The LTC1595/LTC1596 are 16-bit multiplying DACs which have serial inputs and current outputs. They use precision R/2R technology to provide exceptional linearity and stability. The devices operate from a single 5V supply and provide  $\pm 10V$  reference input and voltage output ranges when used with an external op amp. These devices have a proprietary deglitcher that reduces glitch impulse to 1nV-s over a 0V to 10V output range.

### Serial I/O

The LTC1595/LTC1596 have SPI/MICROWIRE compatible serial ports that accept 16-bit serial words. Data is accepted MSB first and loaded with a load pin.

The 8-pin LTC1595 has a 3-wire interface. Data is shifted into the SRI data input on the rising edge of the CLK pin. At the end of the data transfer, data is loaded into the DAC register by pulling the  $\overline{LD}$  pin low (see LTC1595 Timing Diagram).

The 16-pin LTC1596 can operate in identical fashion to the LTC1595 but offers additional pins for flexibility. Four clock pins are available STB1, STB2,  $\overline{STB3}$  and STB4. STB1, STB2 and STB4 operate like the CLK pin of the LTC1595, capturing data on their rising edges.  $\overline{STB3}$  captures data on its falling edge (see Truth Table 1).

The LTC1596 has two load pins,  $\overline{LD1}$  and  $\overline{LD2}$ . To load data, both pins must be taken low. If one of the pins is grounded, the other pin will operate identically to LTC1595's  $\overline{LD}$  pin. An asynchronous clear input ( $\overline{CLR}$ ) resets the LTC1596 to zero-scale (and the LTC1596-1 to mid-scale) when pulled low (see Truth Table 2).

The LTC1596 also has a data output pin SRO that can be connected to the SRI input of another DAC to daisy chain multiple DACs on one 3-wire interface (see LTC1596 Timing Diagram).

### Unipolar (2-Quadrant Multiplying) Mode ( $V_{OUT} = 0V$ to $-V_{REF}$ )

The LTC1595/LTC1596 can be used with a single op amp to provide 2-quadrant multiplying operation as shown in Figure 1. With a fixed  $-10V$  reference, the circuits shown give a precision unipolar 0V to 10V output swing.

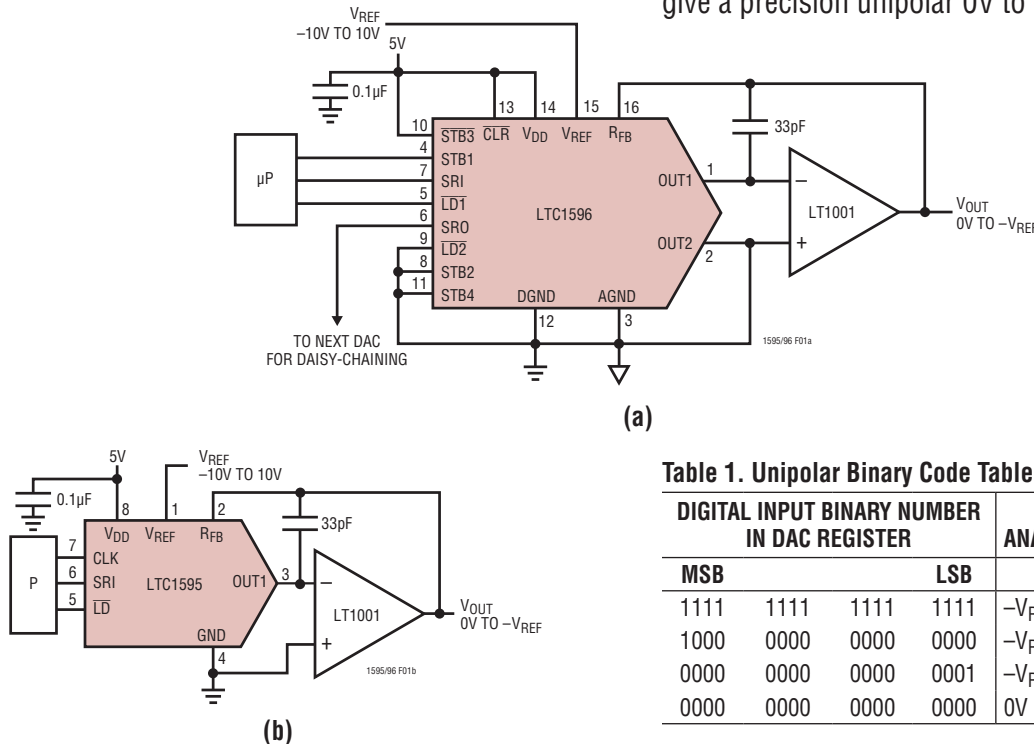


Figure 1. Unipolar Operation (2-Quadrant Multiplication)  $V_{OUT} = 0V$  to  $-V_{REF}$

Table 1. Unipolar Binary Code Table

DIGITAL INPUT BINARY NUMBER IN DAC REGISTER				ANALOG OUTPUT $V_{OUT}$
MSB		LSB		
1111	1111	1111	1111	$-V_{REF}$ (65,535/65,536)
1000	0000	0000	0000	$-V_{REF}$ (32,768/65,536) = $-V_{REF}/2$
0000	0000	0000	0001	$-V_{REF}$ (1/65,536)
0000	0000	0000	0000	0V

## APPLICATIONS INFORMATION

### Bipolar (4-Quadrant Multiplying) Mode ( $V_{OUT} = -V_{REF}$ to $V_{REF}$ )

The LTC1595/LTC1596 can be used with a dual op amp and three external resistors to provide 4-quadrant multiplying operation as shown in Figure 2 (last page). With a fixed 10V reference, the circuits shown give a precision bipolar  $-10V$  to  $10V$  output swing. Using the LTC1596-1 will cause the power-on reset and clear pin to reset the DAC to mid-scale (bipolar zero).

### Op Amp Selection

Because of the extremely high accuracy of the 16-bit LTC1595/LTC1596, thought should be given to op amp selection in order to achieve the exceptional performance of which the part is capable. Fortunately, the sensitivity of INL and DNL to op amp offset has been greatly reduced compared to previous generations of multiplying DACs.

Op amp offset will contribute mostly to output offset and gain and will have minimal effect on INL and DNL. For example, a  $500\mu V$  op amp offset will cause about 0.55LSB

INL degradation and 0.15LSB DNL degradation with a 10V full-scale range. The main effects of op amp offset will be a degradation of zero-scale error equal to the op amp offset, and a degradation of full-scale error equal to twice the op amp offset. For example, the same  $500\mu V$  op amp offset will cause a 3.3LSB zero-scale error and a 6.5LSB full-scale error with a 10V full-scale range.

Op amp input bias current ( $I_{BIAS}$ ) contributes only a zero-scale error equal to  $I_{BIAS}(R_{FB}) = I_{BIAS}(R_{REF}) = I_{BIAS}(7k)$ . Table 2 shows a selection of LTC op amps which are suitable for use with the LTC1595/LTC1596. For a thorough discussion of 16-bit DAC settling time and op amp selection, refer to Application Note 74, “*Component and Measurement Advances Ensure 16-Bit DAC Settling Time.*”

### Grounding

As with any high resolution converter, clean grounding is important. A low impedance analog ground plane and star grounding should be used.  $I_{OUT2}$  (LTC1596) and GND (LTC1595) must be tied to the star ground with as low a resistance as possible.

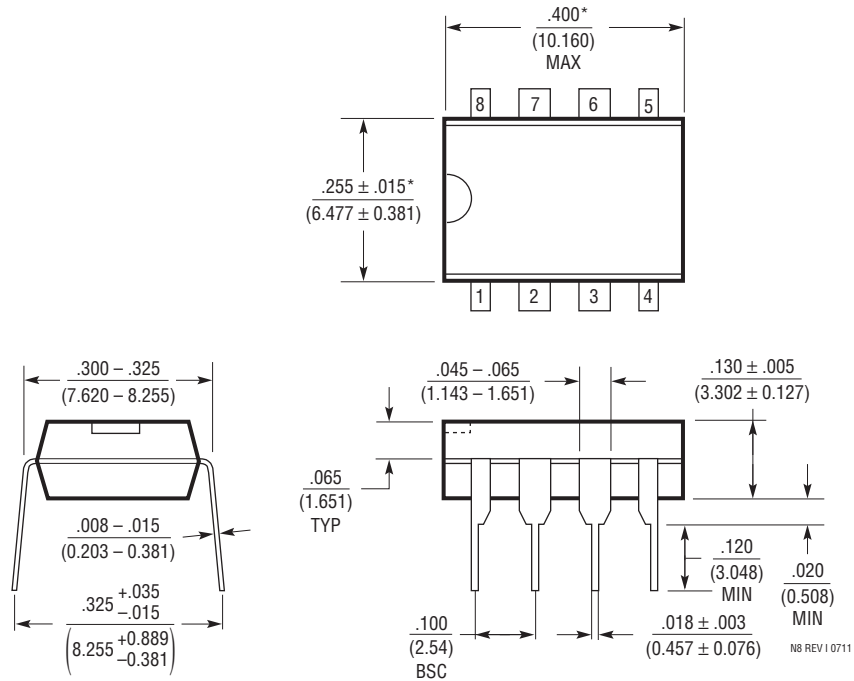
**Table 2. 16-Bit Settling Time for Various Amplifiers Driven by the LT1595 DAC. LT1468 (Shaded) Offers Fastest Settling Time While Maintaining Accuracy Over Temperature**

AMPLIFIER	CONSERVATIVE SETTLING TIME AND COMPENSATION VALUE		COMMENTS
LT1001	120 $\mu s$	100pF	Good Low Speed Choice
LT1007	19 $\mu s$	100pF	$I_B$ Gives $\approx 1$ LSB Error at 25°C
LT1013	75 $\mu s$	150pF	$\approx 1$ LSB Error Due to $V_{OS}$ Over Temperature
LT1077	200 $\mu s$	100pF	
LT1097	120 $\mu s$	75pF	Good Low Speed Choice
LT1112	120 $\mu s$	100pF	Good Low Speed Choice Dual
LT1178	450 $\mu s$	100pF	Low Power Dual
LT1468	2.5 $\mu s$	30pF	Fastest Settling with 16-Bit Performance

## PACKAGE DESCRIPTION

Please refer to <http://www.linear.com/designtools/packaging/> for the most recent package drawings.

**N8 Package**  
**8-Lead PDIP (Narrow .300 Inch)**  
 (Reference LTC DWG # 05-08-1510 Rev I)



**NOTE:**

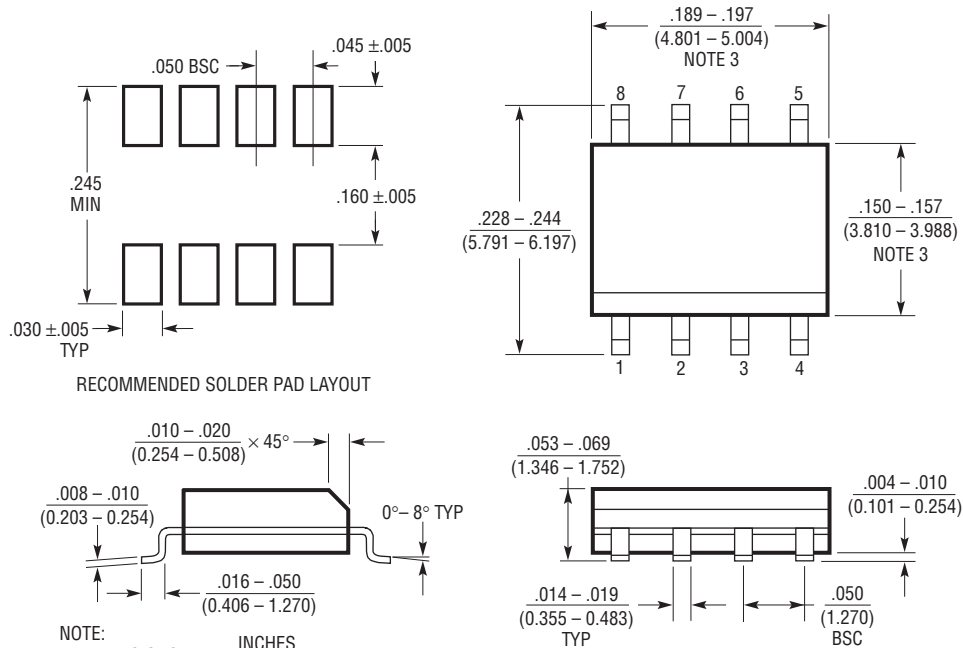
1. DIMENSIONS ARE  $\frac{\text{INCHES}}{\text{MILLIMETERS}}$

\*THESE DIMENSIONS DO NOT INCLUDE MOLD FLASH OR PROTRUSIONS.  
 MOLD FLASH OR PROTRUSIONS SHALL NOT EXCEED .010 INCH (0.254mm)

## PACKAGE DESCRIPTION

Please refer to <http://www.linear.com/designtools/packaging/> for the most recent package drawings.

### S8 Package 8-Lead Plastic Small Outline (Narrow .150 Inch) (Reference LTC DWG # 05-08-1610 Rev G)



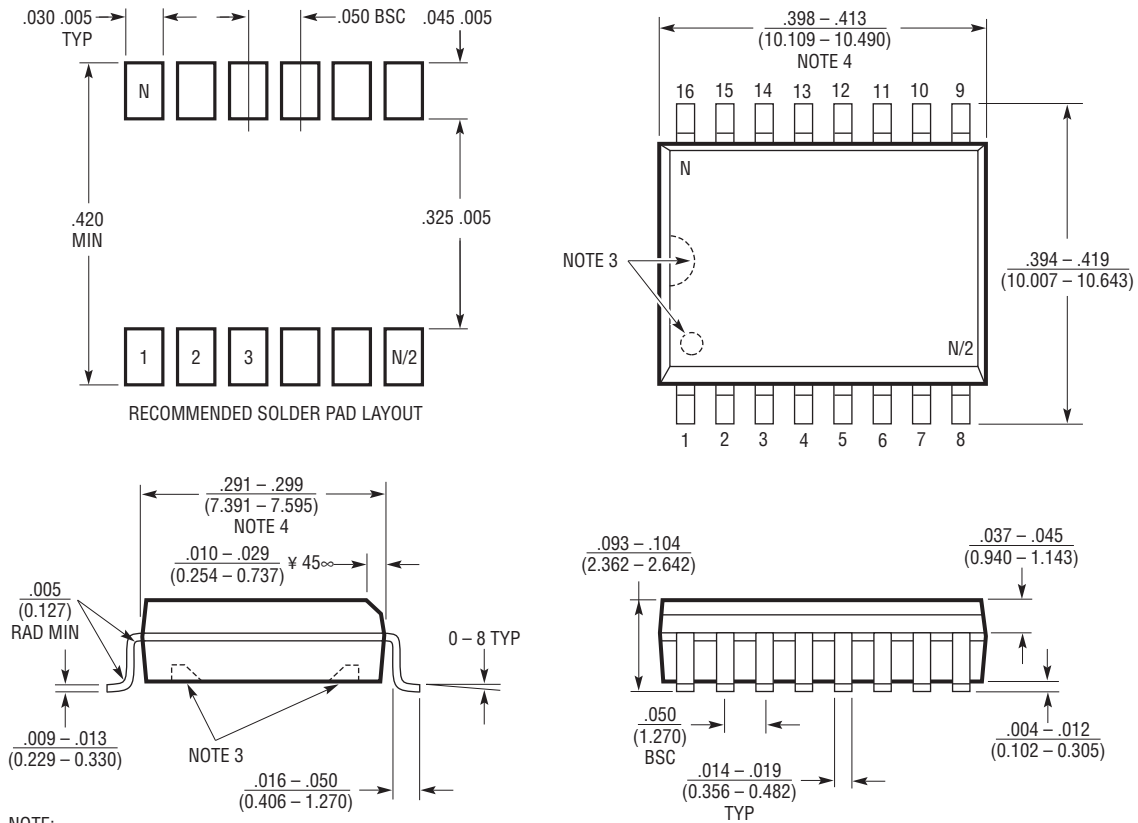
- NOTE:
1. DIMENSIONS IN  $\frac{\text{INCHES}}{\text{(MILLIMETERS)}}$
  2. DRAWING NOT TO SCALE
  3. THESE DIMENSIONS DO NOT INCLUDE MOLD FLASH OR PROTRUSIONS. MOLD FLASH OR PROTRUSIONS SHALL NOT EXCEED  $.006"$  ( $0.15\text{mm}$ )
  4. PIN 1 CAN BE BEVEL EDGE OR A DIMPLE

S08 REV G 0212

## PACKAGE DESCRIPTION

Please refer to <http://www.linear.com/designtools/packaging/> for the most recent package drawings.

### SW Package 16-Lead Plastic Small Outline (Wide .300 Inch) (Reference LTC DWG # 05-08-1620)



- NOTE:
1. DIMENSIONS IN  $\frac{\text{INCHES}}{\text{(MILLIMETERS)}}$
  2. DRAWING NOT TO SCALE
  3. PIN 1 IDENT, NOTCH ON TOP AND CAVITIES ON THE BOTTOM OF PACKAGES ARE THE MANUFACTURING OPTIONS. THE PART MAY BE SUPPLIED WITH OR WITHOUT ANY OF THE OPTIONS
  4. THESE DIMENSIONS DO NOT INCLUDE MOLD FLASH OR PROTRUSIONS. MOLD FLASH OR PROTRUSIONS SHALL NOT EXCEED  $.006''$  ( $0.15\text{mm}$ )

S16 (WIDE) 0502

**REVISION HISTORY** (Revision history begins at Rev B)

REV	DATE	DESCRIPTION	PAGE NUMBER
B	02/12	Removed 16-Lead PDIP	1, 2
C	8/15	Fixed errors in Table 3	16

# LTC1595/LTC1596/LTC1596-1

## TYPICAL APPLICATION

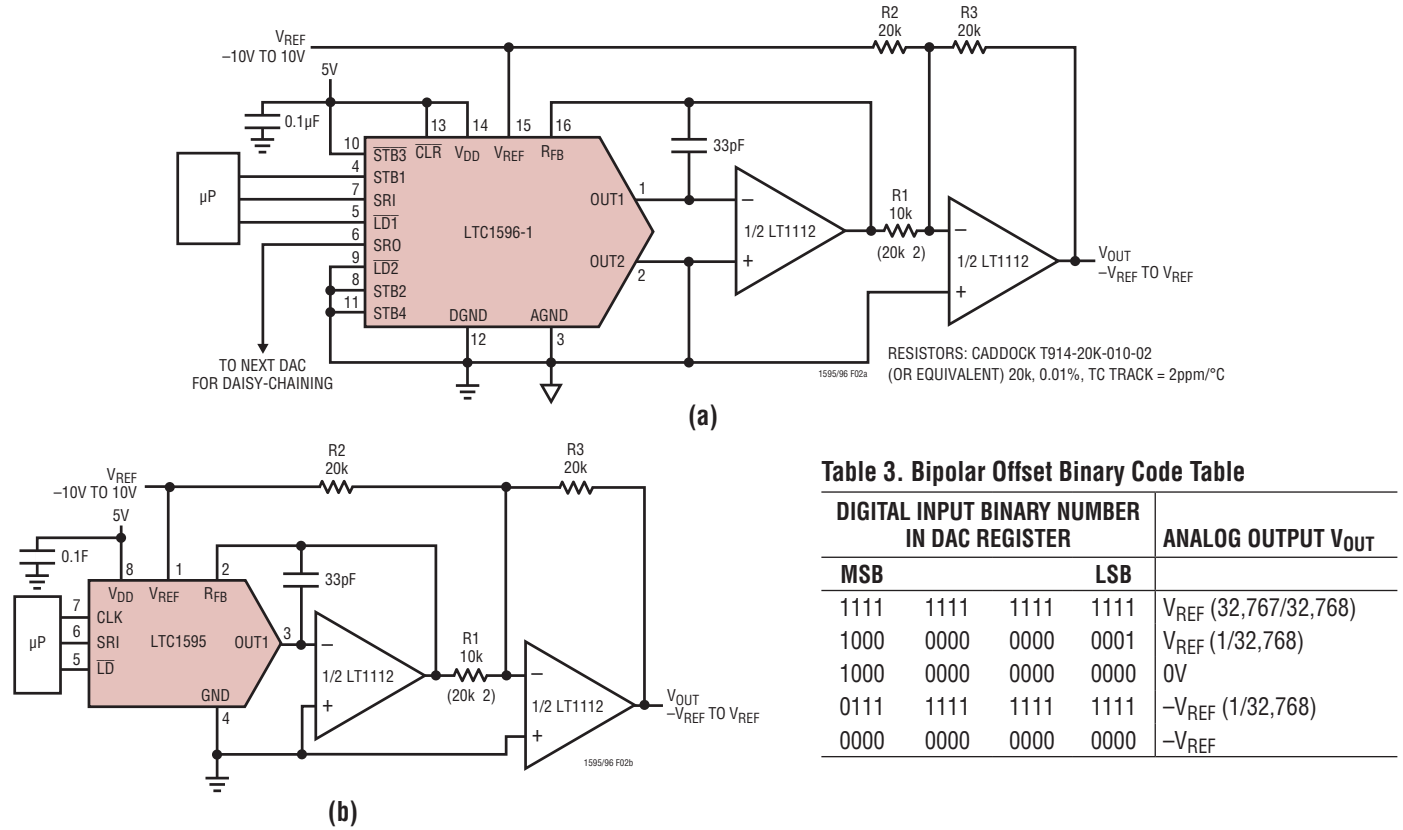


Figure 2. Bipolar Operation (4-Quadrant Multiplication)  $V_{OUT} = -V_{REF}$  to  $V_{REF}$

## RELATED PARTS

PART NUMBER	DESCRIPTION	COMMENTS
<b>DACs</b>		
<a href="#">LTC1590</a>	Dual Serial I/O Multiplying $I_{OUT}$ 12-Bit DAC	16-Pin SO and PDIP, SPI Interface
<a href="#">LTC1597</a>	Parallel 16-Bit Current Output DAC	Low Glitch, $\pm 1$ LSB Maximum INL, DNL
<a href="#">LTC1650</a>	Serial 16-Bit Voltage Output DAC	Low Noise and Glitch Rail-to-Rail $V_{OUT}$
<a href="#">LTC1658</a>	Serial 14-Bit Voltage Output DAC	Low Power, 8-Lead MSOP Rail-to-Rail $V_{OUT}$
<a href="#">LTC7543/LTC8143/LTC8043</a>	Serial I/O Multiplying $I_{OUT}$ 12-Bit DACs	Clear Pin and Serial Data Output (LTC8143)
<b>ADCs</b>		
<a href="#">LTC1418</a>	14-Bit, 200ksps 5V Sampling ADC	16mW Dissipation, Serial and Parallel Outputs
<a href="#">LTC1604</a>	16-Bit, 333ksps Sampling ADC	$\pm 2.5$ V Input, SINAD = 90dB, THD = 100dB
<a href="#">LTC1605</a>	Single 5V, 16-Bit 100ksps ADC	Low Power, $\pm 10$ V Inputs
<a href="#">LTC2400</a>	24-Bit, $\Delta\Sigma$ ADC in SO-8	1ppm (4ppm) Offset (Full-Scale), Internal 50Hz/60Hz Notches
<b>Op Amps</b>		
<a href="#">LT1001</a>	Precision Operational Amplifier	Low Offset, Low Drift
<a href="#">LT1112</a>	Dual Low Power, Precision Picoamp Input Op Amp	Low Offset, Low Drift
<a href="#">LT1468</a>	90MHz, 22V/ $\mu$ s, 16-Bit Accurate Op Amp	Precise, 1 $\mu$ s Settling to 0.0015%
<b>References</b>		
<a href="#">LT1236</a>	Precision Reference	Ultralow Drift, 5ppm/°C, High Accuracy 0.05%
<a href="#">LT1634</a>	Micropower Reference	Ultralow Drift, 10ppm/°C, High Accuracy 0.05%

159561fc





## Стандарт Электрон Связь

Мы молодая и активно развивающаяся компания в области поставок электронных компонентов. Мы поставляем электронные компоненты отечественного и импортного производства напрямую от производителей и с крупнейших складов мира.

Благодаря сотрудничеству с мировыми поставщиками мы осуществляем комплексные и плановые поставки широчайшего спектра электронных компонентов.

Собственная эффективная логистика и склад в обеспечивает надежную поставку продукции в точно указанные сроки по всей России.

Мы осуществляем техническую поддержку нашим клиентам и предпродажную проверку качества продукции. На все поставляемые продукты мы предоставляем гарантию .

Осуществляем поставки продукции под контролем ВП МО РФ на предприятия военно-промышленного комплекса России , а также работаем в рамках 275 ФЗ с открытием отдельных счетов в уполномоченном банке. Система менеджмента качества компании соответствует требованиям ГОСТ ISO 9001.

Минимальные сроки поставки, гибкие цены, неограниченный ассортимент и индивидуальный подход к клиентам являются основой для выстраивания долгосрочного и эффективного сотрудничества с предприятиями радиоэлектронной промышленности, предприятиями ВПК и научно-исследовательскими институтами России.

С нами вы становитесь еще успешнее!

### Наши контакты:

**Телефон:** +7 812 627 14 35

**Электронная почта:** [sales@st-electron.ru](mailto:sales@st-electron.ru)

**Адрес:** 198099, Санкт-Петербург,  
Промышленная ул, дом № 19, литера Н,  
помещение 100-Н Офис 331