



## High-Voltage, Fault-Protected Analog Multiplexers

MAX378/MAX379

### General Description

The MAX378 8-channel single-ended (1-of-8) multiplexer and the MAX379 4-channel differential (2-of-8) multiplexer use a series N-channel/P-channel/N-channel structure to provide significant fault protection. If the power supplies to the MAX378/MAX379 are inadvertently turned off while input voltages are still applied, *all* channels in the muxes are turned off, and only a few nanoamperes of leakage current will flow into the inputs. This protects not only the MAX378/MAX379 and the circuitry they drive, but also the sensors or signal sources that drive the muxes.

The series N-channel/P-channel/N-channel protection structure has two significant advantages over the simple current-limiting protection scheme of the industry's first-generation fault-protected muxes. First, the Maxim protection scheme limits fault currents to nanoamp leakage values rather than many milliamperes. This prevents damage to sensors or other sensitive signal sources. Second, the MAX378/MAX379 fault-protected muxes can withstand a *continuous*  $\pm 60V$  input, unlike the first generation, which had a continuous  $\pm 35V$  input limitation imposed by power dissipation considerations.

All digital inputs have logic thresholds of 0.8V and 2.4V, ensuring both TTL and CMOS compatibility without requiring pull-up resistors. Break-before-make operation is guaranteed. Power dissipation is less than 2mW.

### Applications

Data Acquisition Systems  
Industrial and Process Control Systems  
Avionics Test Equipment  
Signal Routing Between Systems

### Features

- ◆ **Fault Input Voltage  $\pm 75V$  with Power Supplies Off**
- ◆ **Fault Input Voltage  $\pm 60V$  with  $\pm 15V$  Power Supplies**
- ◆ **All Switches Off with Power Supplies Off**
- ◆ **On Channel Turns OFF if Overvoltage Occurs on Input or Output**
- ◆ **Only Nanoamperes of Input Current Under All Fault Conditions**
- ◆ **No Increase in Supply Currents Due to Fault Conditions**
- ◆ **Latchup-Proof Construction**
- ◆ **Operates from  $\pm 4.5V$  to  $\pm 18V$  Supplies**
- ◆ **All Digital Inputs are TTL and CMOS Compatible**
- ◆ **Low-Power Monolithic CMOS Design**

### Ordering Information

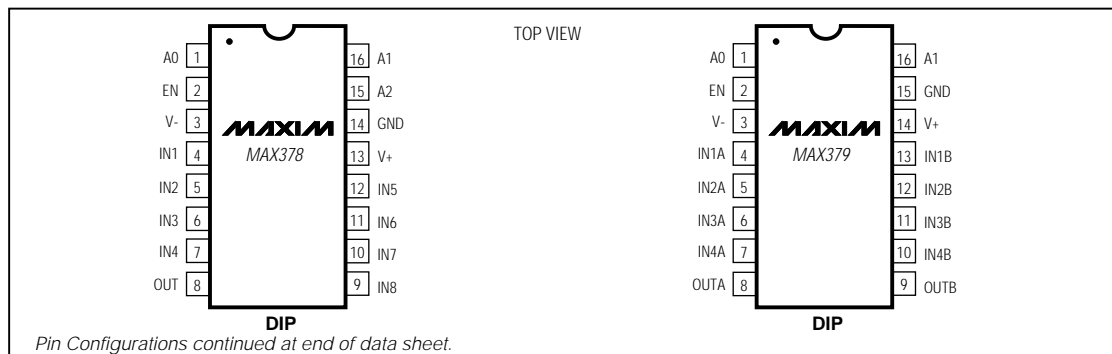
| PART      | TEMP. RANGE     | PIN-PACKAGE    |
|-----------|-----------------|----------------|
| MAX378CPE | 0°C to +70°C    | 16 Plastic DIP |
| MAX378CWG | 0°C to +70°C    | 24 Wide SO     |
| MAX378CJE | 0°C to +70°C    | 16 CERDIP      |
| MAX378C/D | 0°C to +70°C    | Dice**         |
| MAX378EPE | -40°C to +85°C  | 16 Plastic DIP |
| MAX378EWG | -40°C to +85°C  | 24 Wide SO     |
| MAX378EJE | -40°C to +85°C  | 16 CERDIP      |
| MAX378MJE | -55°C to +125°C | 16 CERDIP      |
| MAX378MLP | -55°C to +125°C | 20 LCC*        |

**Ordering Information continued at end of data sheet.**

\* Contact factory for availability.

\*\*The substrate may be allowed to float or be tied to V+ (JI CMOS).

### Pin Configurations



Maxim Integrated Products 1

Call toll free 1-800-998-8800 for free samples or literature.

# High-Voltage, Fault-Protected Analog Multiplexers

## ABSOLUTE MAXIMUM RATINGS

|   |      |  |                 |
|---|------|--|-----------------|
| Voltage between Supply Pins .....             | +4V  | Continuous Current, IN or OUT .....                          | 20mA            |
| V+ to Ground .....                            | +22V | Peak Current, IN or OUT                                      |                 |
| V- to Ground .....                            | -22V | (Pulsed at 1ms, 10% duty cycle max) .....                    | 40mA            |
| Digital Input Overvoltage:                    |      | Power Dissipation (Note 1) (CERDIP) .....                    | 1.28W           |
| V <sub>EN</sub> , V <sub>A</sub> { V+ .....   | +4V  | Operating Temperature Range:                                 |                 |
| { V- .....                                    | -4V  | MAX378/379C .....  | 0°C to +70°C    |
| Analog Input with Multiplexer Power On .....  | ±65V | MAX378/379E .....  | -40°C to +85°C  |
| { Recommended } V+ .....                      | +15V | MAX378/379M .....  | -55°C to +125°C |
| { Power Supplies } V- .....                   | -15V | Storage Temperature Range .....                              | -65°C to +150°C |
| Analog Input with Multiplexer Power Off ..... | ±80V | <b>Note 1:</b> Derate 12.8mW/°C above T <sub>A</sub> = +75°C |                 |

Stresses beyond those listed under "Absolute Maximum Ratings" may cause permanent damage to the device. These are stress ratings only, and functional operation of the device at these or any other conditions beyond those indicated in the operational sections of the specifications is not implied. Exposure to absolute maximum rating conditions for extended periods may affect device reliability.

## ELECTRICAL CHARACTERISTICS

(V+ = +15V, V- = -15V; V<sub>AH</sub> (Logic Level High) = +2.4V, V<sub>AL</sub> (Logic Level Low) = +0.8V, unless otherwise noted.)

| PARAMETER  | SYMBOL                | CONDITIONS   | TEMP  | -55°C to +125°C |      |     | 0°C to +70°C<br>and<br>-40°C to +85°C |      |     | UNITS |
|--|-----------------------|--|-------|-----------------|------|-----|---------------------------------------|------|-----|-------|
|  |                       |  |       | MIN             | TYP  | MAX | MIN                                   | TYP  | MAX |       |
| <b>STATIC</b>                                      |                       |  |       |                 |      |     |                                       |      |     |       |
| ON Resistance                                      | r <sub>DS(ON)</sub>   | V <sub>OUT</sub> = ±10V, I <sub>IN</sub> = 100μA<br>V <sub>AL</sub> = 0.8V, V <sub>AH</sub> = 2.4V   | +25°C | 2.0             | 3.0  |     | 2.0                                   | 3.5  |     | kΩ    |
|  |                       |  | Full  | 3.0             | 4.0  |     | 3.0                                   | 4.0  |     |       |
| OFF Input Leakage Current                          | I <sub>IN(OFF)</sub>  | V <sub>IN</sub> = ±10V, V <sub>OUT</sub> = ∓10V<br>V <sub>EN</sub> = 0.8V (Note 6)   | +25°C | -0.5            | 0.03 | 0.5 | -1.0                                  | 0.03 | 1.0 | nA    |
|  |                       |  | Full  | -50             |      | 50  | -50                                   |      | 50  |       |
| OFF Output Leakage Current                         | I <sub>OUT(OFF)</sub> | V <sub>OUT</sub> = ±10V, V <sub>IN</sub> = ∓10V<br>V <sub>EN</sub> = 0.8V<br>MAX378<br>(Note 6) MAX379   | +25°C | -1.0            | 0.1  | 1.0 | -2.0                                  | 0.1  | 2.0 | nA    |
|  |                       |  | Full  | -200            |      | 200 | -200                                  |      | 200 |       |
|  |                       |  | Full  | -100            |      | 100 | -100                                  |      | 100 |       |
| ON Channel Leakage Current                         | I <sub>OUT(ON)</sub>  | V <sub>IN(ALL)</sub> = V <sub>OUT</sub> = ±10V<br>V <sub>AH</sub> = V <sub>EN</sub> = 2.4V<br>V <sub>AL</sub> = 0.8V (Note 5) MAX378<br>MAX379 | +25°C | -10             | 0.1  | 10  | -20                                   | 0.1  | 20  | nA    |
|  |                       |  | Full  | -600            |      | 600 | -600                                  |      | 600 |       |
|  |                       |  | Full  | -300            |      | 300 | -300                                  |      | 300 |       |
| Analog Signal Range                                | V <sub>AN</sub>       | (Note 2)   | Full  | -15             |      | +15 | -15                                   |      | +15 | V     |
| Differential OFF Output Leakage Current            | I <sub>DIFF</sub>     | MAX379 only<br>(Note 6)  | Full  | -50             |      | 50  | -50                                   |      | 50  | nA    |
| <b>FAULT</b>                                       |                       |  |       |                 |      |     |                                       |      |     |       |
| Output Leakage Current<br>(with Input Overvoltage) | I <sub>OUT(OFF)</sub> | V <sub>OUT</sub> = 0V, V <sub>IN</sub> = ±60V<br>(Notes 3, 4)  | +25°C | 20              |      |     | 20                                    |      |     | nA    |
|  |                       |  | Full  | 10              |      |     | 20                                    |      |     | μA    |
| Input Leakage Current<br>(with Overvoltage)        | I <sub>IN(OFF)</sub>  | V <sub>IN</sub> = ±60V, V <sub>OUT</sub> = ±10V<br>(Notes 3, 4)  | +25°C | 25              |      |     | 40                                    |      |     | μA    |
| Input Leakage Current<br>(with Power Supplies Off) | I <sub>IN(OFF)</sub>  | V <sub>IN</sub> = ±75V, V <sub>EN</sub> = V <sub>OUT</sub> = 0V<br>A <sub>0</sub> = A <sub>1</sub> = A <sub>2</sub> = 0V or 5V                 | +25°C | 10              |      |     | 20                                    |      |     | μA    |
| <b>CONTROL</b>                                     |                       |  |       |                 |      |     |                                       |      |     |       |
| Input Low Threshold                                | V <sub>AL</sub>       | (Note 4)   | Full  | 0.8             |      |     | 0.8                                   |      |     | V     |
| Input High Threshold                               | V <sub>AH</sub>       | (Note 4)   | Full  | 2.4             |      |     | 2.4                                   |      |     | V     |
| Input Leakage Current<br>(High or Low)             | I <sub>A</sub>        | V <sub>A</sub> = 5V or 0V (Note 5)   | Full  | -1.0            |      | 1.0 | -1.0                                  |      | 1.0 | μA    |

# High-Voltage, Fault-Protected Analog Multiplexers

MAX378/MAX379

## ELECTRICAL CHARACTERISTICS (continued)

(V+ = +15V, V- = -15V; V<sub>AH</sub> (Logic Level High) = +2.4V, V<sub>AL</sub> (Logic Level Low) = +0.8V, unless otherwise noted.)

| PARAMETER                                   | SYMBOL                | CONDITIONS  | TEMP  | -55°C to +125°C |      |     | 0°C to +70°C<br>and<br>-40°C to +85°C |      |     | UNITS |
|---|-----------------------|---|-------|-----------------|------|-----|---------------------------------------|------|-----|-------|
|   |                       |   |       | MIN             | TYP  | MAX | MIN                                   | TYP  | MAX |       |
| <b>DYNAMIC</b>                              |                       |   |       |                 |      |     |                                       |      |     |       |
| Access Time                                 | t <sub>A</sub>        | Figure 1  | +25°C | 0.5             | 1.0  |     | 0.5                                   | 1.0  |     | μs    |
| Break-Before-Make Delay (Figure 2)          | t <sub>ON-tOFF</sub>  | V <sub>EN</sub> = +5V, V <sub>IN</sub> = ±10V<br>A <sub>0</sub> , A <sub>1</sub> , A <sub>2</sub> strobed | +25°C | 25              | 200  |     | 25                                    | 200  |     | ns    |
| Enable Delay (ON)                           | t <sub>ON(EN)</sub>   | Figure 3  | +25°C | 400             | 750  |     | 400                                   | 1000 |     | ns    |
|   |                       |   | Full  |                 | 1000 |     | 1500                                  |      |     |       |
| Enable Delay (OFF)                          | t <sub>OFF(EN)</sub>  | Figure 3  | +25°C | 300             | 500  |     | 300                                   |      |     | ns    |
|   |                       |   | Full  |                 | 1000 |     | 1000                                  |      |     |       |
| Settling Time (0.1%)<br>(0.01%)             | t <sub>SETT</sub>     |   | +25°C | 1.2             |      |     | 1.2                                   |      |     | μs    |
|   |                       |   |       | 3.5             |      |     | 3.5                                   |      |     |       |
| "OFF Isolation"                             | OFF(ISO)              | V <sub>EN</sub> = 0.8V, R <sub>L</sub> = 1kΩ, C <sub>L</sub> = 15pF<br>V = 7V <sub>RMS</sub> , f = 100kHz | +25°C | 50              | 68   |     | 50                                    | 68   |     | dB    |
| Channel Input Capacitance                   | C <sub>IN(OFF)</sub>  |   | +25°C | 5               |      |     | 5                                     |      |     | pF    |
| Channel Output Capacitance                  | C <sub>OUT(OFF)</sub> | MAX378<br>MAX379  | +25°C | 25              |      |     | 25                                    |      |     | pF    |
|   |                       |   |       | 12              |      |     | 12                                    |      |     |       |
| Digital Input Capacitance                   | C <sub>A</sub>        |   | +25°C | 5               |      |     | 5                                     |      |     | pF    |
| Input to Output Capacitance                 | C <sub>D(SOFF)</sub>  |   | +25°C | 0.1             |      |     | 0.1                                   |      |     | pF    |
| <b>SUPPLY</b>                               |                       |   |       |                 |      |     |                                       |      |     |       |
| Positive Supply Current                     | I <sub>+</sub>        | V <sub>EN</sub> = 0.8V or 2.4V<br>All V <sub>A</sub> = 0V or 5V   | +25°C | 0.1             | 0.6  |     | 0.2                                   | 1.0  |     | mA    |
|   |                       |   | Full  | 0.3             | 0.7  |     | 0.5                                   | 1.0  |     |       |
| Negative Supply Current                     | I <sub>-</sub>        | V <sub>EN</sub> = 0.8V or 2.4V<br>All V <sub>A</sub> = 0V or 5V   | +25°C | 0.01            | 0.1  |     | 0.01                                  | 0.1  |     | mA    |
|   |                       |   | Full  | 0.02            | 0.2  |     | 0.02                                  | 0.1  |     |       |
| Power-Supply Range for Continuous Operation | V <sub>OP</sub>       | (Note 7)  | +25°C | ±4.5            |      | ±18 | ±4.5                                  |      | ±18 | V     |

**Note 2:** When the analog signal exceeds +13.5V or -12V, the blocking action of Maxim's gate structure goes into operation. Only leakage currents flow and the channel ON resistance rises to infinity.

**Note 3:** The value shown is the steady-state value. The transient leakage is typically 50μA. See *Detailed Description*.

**Note 4:** Guaranteed by other static parameters.

**Note 5:** Digital input leakage is primarily due to the clamp diodes. Typical leakage is less than 1nA at +25°C.

**Note 6:** Leakage currents not tested at T<sub>A</sub> = cold temp.

**Note 7:** Electrical characteristics, such as ON Resistance, will change when power supplies other than ±15V are used.

# High-Voltage, Fault-Protected Analog Multiplexers

## Typical Operating Characteristics

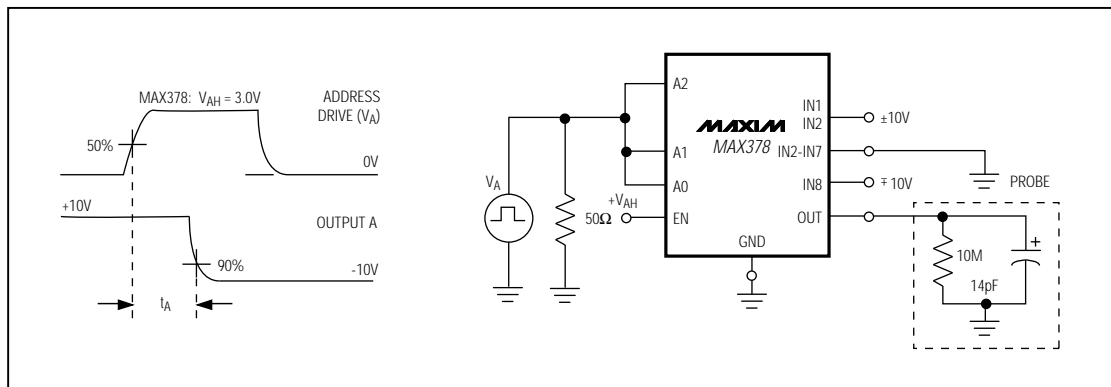
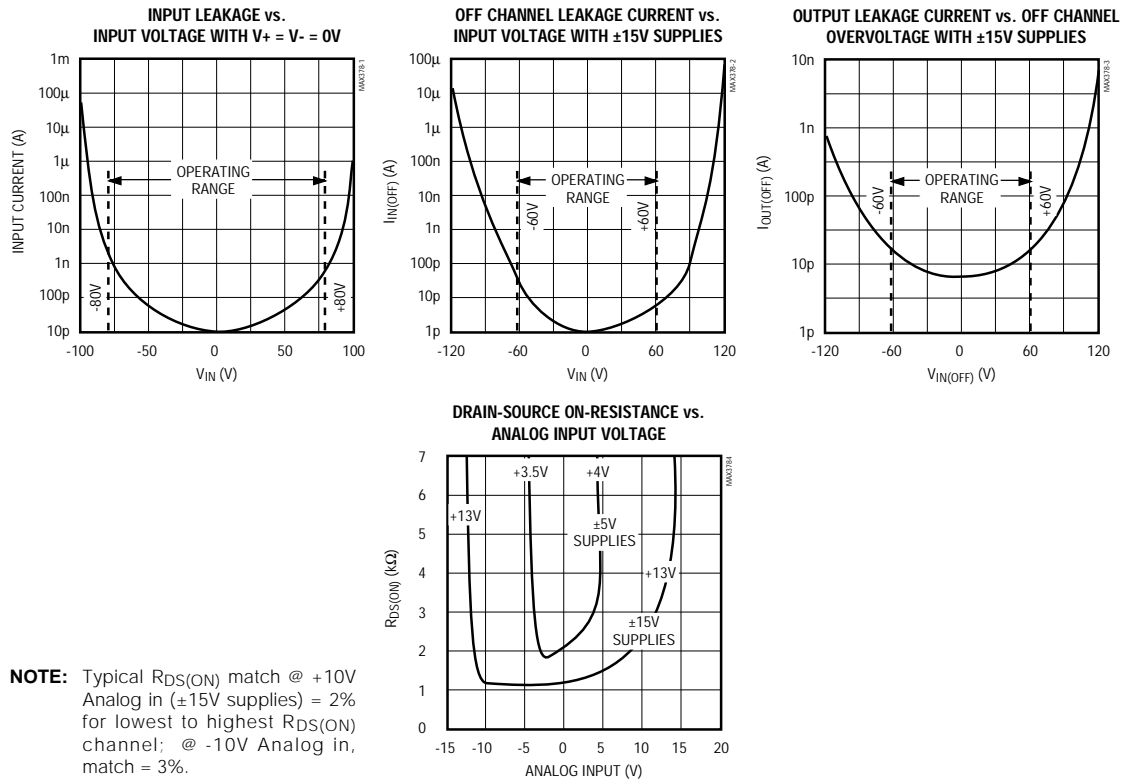


Figure 1. Access Time vs. Logic Level (High)

# High-Voltage, Fault-Protected Analog Multiplexers

MAX378/MAX379

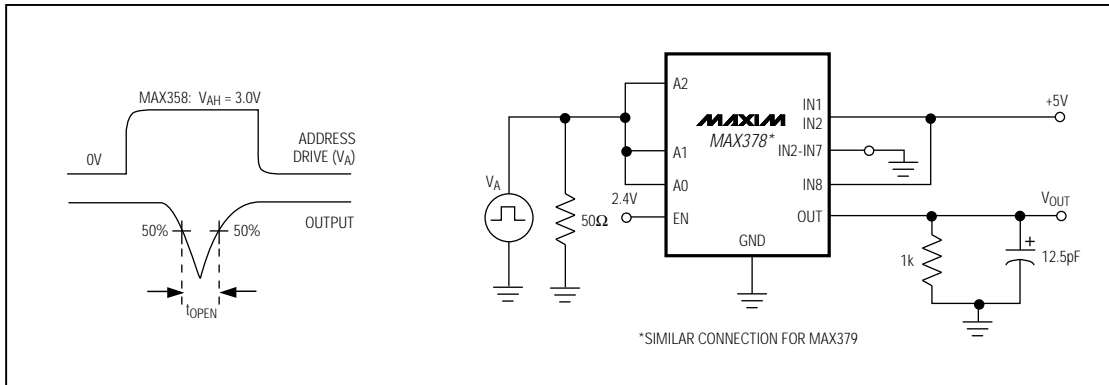


Figure 2. Break-Before-Make Delay ( $t_{OPEN}$ )

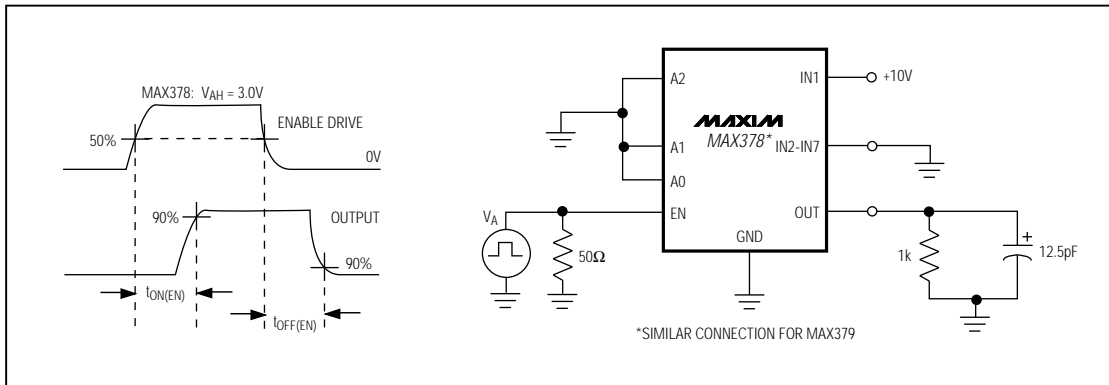


Figure 3. Enable Delay ( $t_{ON(EN)}$ ,  $t_{OFF(EN)}$ )

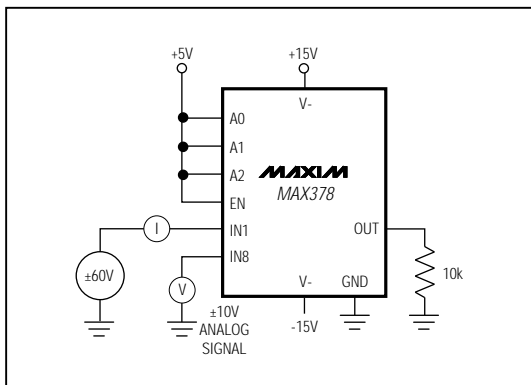


Figure 4. Input Leakage Current (Overvoltage)

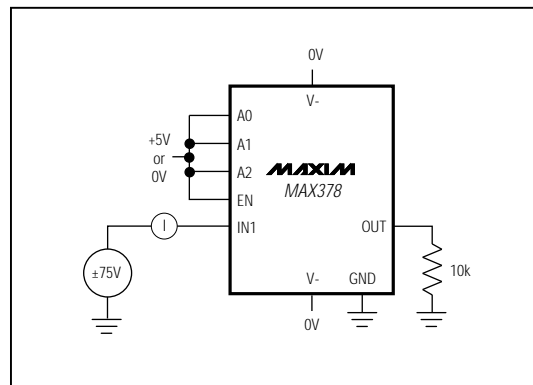


Figure 5. Input Leakage Current (with Power Supplies OFF)

# High-Voltage, Fault-Protected Analog Multiplexers

Truth Table—MAX378

| A2 | A1 | A0 | EN | ON SWITCH |
|----|----|----|----|-----------|
| X  | X  | X  | 0  | NONE      |
| 0  | 0  | 0  | 1  | 1         |
| 0  | 0  | 1  | 1  | 2         |
| 0  | 1  | 0  | 1  | 3         |
| 0  | 1  | 1  | 1  | 4         |
| 1  | 0  | 0  | 1  | 5         |
| 1  | 0  | 1  | 1  | 6         |
| 1  | 1  | 0  | 1  | 7         |
| 1  | 1  | 1  | 1  | 8         |

Truth Table—MAX379

| A1 | A0 | EN | ON SWITCH |
|----|----|----|-----------|
| X  | X  | 0  | NONE      |
| 0  | 0  | 1  | 1         |
| 0  | 1  | 1  | 2         |
| 1  | 0  | 1  | 3         |
| 1  | 1  | 1  | 4         |

**Note:** Logic "0" =  $V_{AL} \leq 0.8V$ , Logic "1" =  $V_{AH} \geq 2.4V$

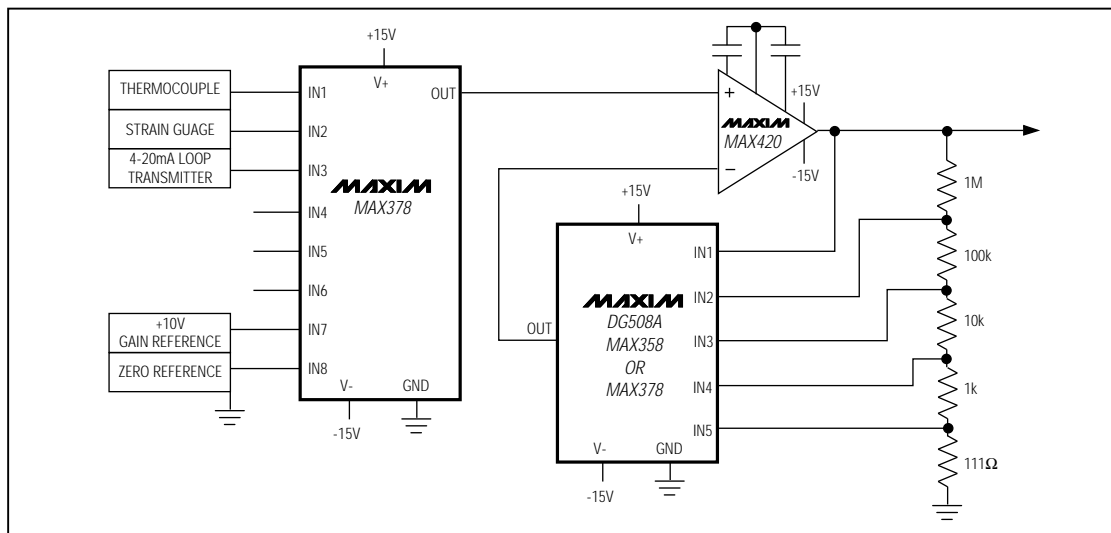


Figure 6. Typical Data Acquisition Front End

## Typical Applications

Figure 6 shows a typical data acquisition system using the MAX378 multiplexer. Since the multiplexer is driving a high-impedance input, its error is a function of its own resistance ( $R_{DS(ON)}$ ) times the multiplexer leakage current ( $I_{OUT(ON)}$ ) and the amplifier bias current ( $I_{BIAS}$ ):

$$\begin{aligned} V_{ERR} &= R_{DS(ON)} \times (I_{OUT(ON)} + I_{BIAS} \text{ (MAX420)}) \\ &= 2.0k\Omega \times (2nA + 30pA) \\ &= 18.0\mu V \text{ maximum error} \end{aligned}$$

In most cases, this error is low enough that preamplification of input signals is not needed, even with very low-level signals such as  $40\mu V/^\circ C$  from type J thermocouples.

In systems with fewer than eight inputs, an unused channel can be connected to the system ground reference point for software zero correction. A second channel connected to the system voltage reference allows gain correction of the entire data acquisition system as well.

A MAX420 precision op amp is connected as a programmable-gain amplifier, with gains ranging from 1 to 10,000. The guaranteed  $5\mu V$  unadjusted offset of the MAX420 maintains high signal accuracy, while programmable gain allows the output signal level to be scaled to the optimum range for the remainder of the data acquisition system, normally a Sample/Hold and A/D. Since the gain-changing multiplexer is not connected to the external sensors, it can be either a DG508A multiplexer or the fault-protected MAX358 or MAX378.

# High-Voltage, Fault-Protected Analog Multiplexers

MAX378/MAX379

Input switching, however, must be done with a fault-protected MAX378 multiplexer, to provide the level of protection and isolation required with most data acquisition inputs. Since external signal sources may continue to supply voltage when the multiplexer and system power are turned off, non-fault-protected multiplexers, or even first-generation fault-protected devices, will allow many milliamps of fault current to flow from outside sources into the multiplexer. This could result in damage to either the sensors or the multiplexer. A non-fault-protected multiplexer will also allow input overvoltages to appear at its output, perhaps damaging Sample/Holds or A/Ds. Such input overdrives may also cause input-to-input shorts, allowing the high current output of one sensor to possibly damage another.

The MAX378 eliminates all of the above problems. It not only limits its output voltage to safe levels, with or without power applied ( $V+$  and  $V-$ ), but also turns all channels off when power is removed. This allows it to draw only sub-microamp fault currents from the inputs, and maintain isolation between inputs for continuous input levels up to  $\pm 75V$  with power supplies off.

## Detailed Description

### Fault Protection Circuitry

The MAX378/MAX379 are fully fault protected for continuous input voltages up to  $\pm 60V$ , whether or not the  $V+$  and  $V-$  power supplies are present. These devices use a "series FET" switching scheme which not only protects the multiplexer output from overvoltage, but also limits the input current to sub-microamp levels.

Figures 7 and 8 show how the series FET circuit protects against overvoltage conditions. When power is off, the gates of all three FETs are at ground. With a  $-60V$  input, N-channel FET Q1 is turned on by the  $+60V$  gate-

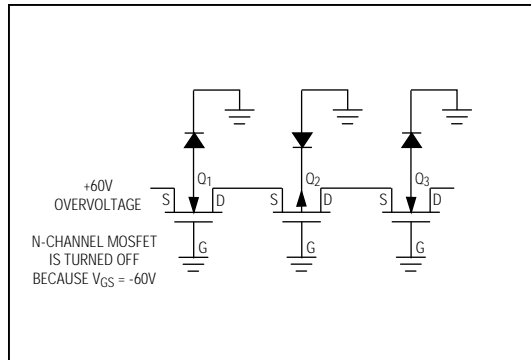


Figure 8. +60V Overvoltage with Multiplexer Power OFF

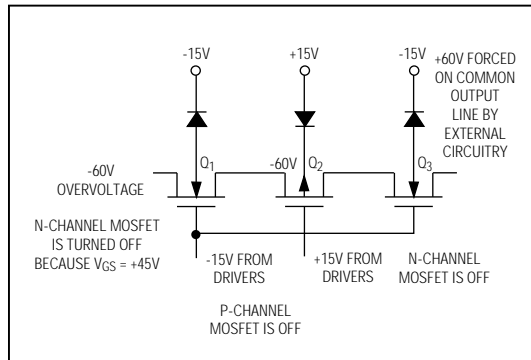


Figure 9. -60V Overvoltage on an OFF Channel with Multiplexer Power Supply ON

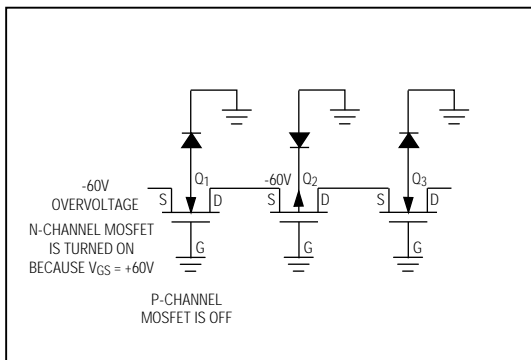


Figure 7. -60V Overvoltage with Multiplexer Power OFF

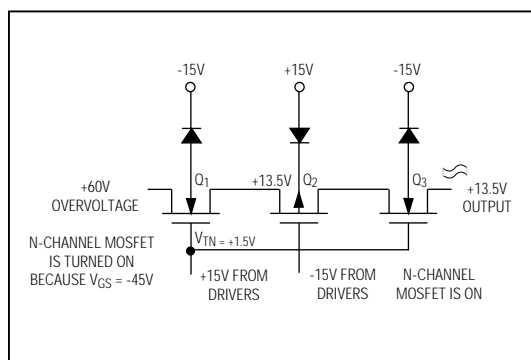


Figure 10. +60V Overvoltage Input to the ON Channel

## High-Voltage, Fault-Protected Analog Multiplexers

to-source voltage. The P-channel device (Q2), however, has +60V  $V_{GS}$  and is turned off, thereby preventing the input signal from reaching the output. If the input voltage is +60V, Q1 has a negative  $V_{GS}$ , which turns it off. Similarly, only sub-microamp leakage currents can flow from the output back to the input, since any voltage will turn off either Q1 or Q2.

Figure 9 shows the condition of an OFF channel with  $V_+$  and  $V_-$  present. As with Figures 7 and 8, either an N-channel or a P-channel device will be off for any input voltage from -60V to +60V. The leakage current with negative overvoltages will immediately drop to a few nanoamps at +25°C. For positive overvoltages, that fault current will initially be 40 $\mu$ A or 50 $\mu$ A, decaying over a few seconds to the nanoamp level. The time constant of this decay is caused by the discharge of stored charge from internal nodes, and does not compromise the fault-protection scheme.

Figure 10 shows the condition of the ON channel with  $V_+$  and  $V_-$  present. With input voltages less than  $\pm 10V$ , all three FETs are on and the input signal appears at the output. If the input voltage exceeds  $V_+$  minus the N-channel threshold voltage ( $V_{TN}$ ), then the N-channel FET will turn off. For voltages more negative than  $V_-$  minus the P-channel threshold ( $V_{TP}$ ), the P-channel device will turn off. Since  $V_{TN}$  is typically 1.5V and  $V_{TP}$  is typically 3V, the multiplexer's output swing is limited to about -12V to +13.5V with  $\pm 15V$  supplies.

The *Typical Operating Characteristics* graphs show typical leakage vs. input voltage curves. Although the maximum rated input of these devices is  $\pm 65V$ , the MAX378/MAX379 typically have excellent performance up to  $\pm 75V$ , providing additional margin for the unknown transients that exist in the real world. In summary, the MAX378/MAX379 provide superior protection from all fault conditions while using a standard, readily produced junction-isolated CMOS process.

### Switching Characteristics and Charge Injection

Table 1 shows typical charge-injection levels vs. power-supply voltages and analog input voltage. Note that since the channels are well matched, the differential charge injection for the MAX379 is typically less than 5pC. The charge injection that occurs during switching creates a voltage transient whose magnitude is inversely proportional to the capacitance on the multiplexer output.

The channel-to-channel switching time is typically 600ns, with about 200ns of break-before-make delay. This 200ns break-before-make delay prevents the input-to-input short that would occur if two input channels were simultaneous-

ly connected to the output. In a typical data acquisition system, such as in Figure 6, the dominant delay is not the switching time of the MAX378 multiplexer, but is the settling time of the following amplifiers and S/H. Another limiting factor is the RC time constant of the multiplexer  $R_{DS(ON)}$  plus the signal source impedance multiplied by the load capacitance on the output of the multiplexer. Even with low signal source impedances, 100pF of capacitance on the multiplexer output will approximately double the settling time to 0.01% accuracy.

### Operation with Supply Voltage Other than $\pm 15V$

The main effect of supply voltages other than  $\pm 15V$  is the reduction in output signal range. The MAX378 limits the output voltage to about 1.5V below  $V_+$  and about 3V above  $V_-$ . In other words, the output swing is limited to +3.5V to -2V when operating from  $\pm 5V$ . The *Typical Operating Characteristics* graphs show typical  $R_{DS(ON)}$ , for  $\pm 15V$ ,  $\pm 10V$ , and  $\pm 5V$  power supplies. Maxim tests and guarantees the MAX378/MAX379 for operation from  $\pm 4.5V$  to  $\pm 18V$  supplies. The switching delays are increased by about a factor of 2 at  $\pm 5V$ , but break-before-make action is preserved.

The MAX378/MAX379 can be operated with a single +9V to +22V supply, as well as asymmetrical power supplies such as +15V and -5V. The digital threshold will remain approximately 1.6V above GND and the analog characteristics such as  $R_{DS(ON)}$  are determined by the total voltage difference between  $V_+$  and  $V_-$ . Connect  $V_-$  to 0V when operating with a +9V to +22V single supply.

This means that the MAX378/MAX379 will operate with standard TTL-logic levels, even with  $\pm 5V$  power supplies. In all cases, the threshold of the EN pin is the same as the other logic inputs.

**Table 1a. MAX378 Charge Injection**

| Supply Voltage | Analog Input Level | Injected Charge |
|----------------|--------------------|-----------------|
| $\pm 5V$       | +1.7V              | +100pC          |
|                | 0V                 | +70pC           |
|                | -1.7V              | +45pC           |
| $\pm 10V$      | +5V                | +200pC          |
|                | 0V                 | +130pC          |
|                | -5V                | +60pC           |
| $\pm 15V$      | +10V               | +500pC          |
|                | 0V                 | +180pC          |
|                | -10V               | +50pC           |

Test Conditions:  $C_L = 1000pF$  on multiplexer output; the tabulated analog input level is applied to channel 1; channels 2 through 8 are open circuited. EN = +5V, A1 = A2 = 0V, A0 is toggled at 2kHz rate between 0V and 3V. +100pC of charge creates a +100mV step when injected into a 1000pF load capacitance.



# High-Voltage, Fault-Protected Analog Multiplexers

MAX378/MAX379

**Table 1b. MAX379 Charge Injection**

| Supply Voltage | Analog Input Level | Injected Charge |        |                  |
|----------------|--------------------|-----------------|--------|------------------|
|                |                    | Out A           | Out B  | Differential A-B |
| ±5V            | +1.7V              | +105pC          | +107pC | -2pC             |
|                | 0V                 | +73pC           | +74pC  | -1pC             |
|                | -1.7V              | +48pC           | +50pC  | -2pC             |
| ±10V           | +5V                | +215pC          | +220pC | -5pC             |
|                | 0V                 | +135pC          | +139pC | -4pC             |
|                | -5V                | +62pC           | +63pC  | -1pC             |
| ±15V           | +10V               | +525pC          | +530pC | -5pC             |
|                | 0V                 | +180pC          | +185pC | -5pC             |
|                | -10V               | +55pC           | +55pC  | 0pC              |

Test Conditions:  $C_L = 1000\text{pF}$  on Out A and Out B; the tabulated analog input level is applied to inputs 1A and 1B; channels 2 through 4 are open circuited.  $EN = +5V$ ,  $A1 = 0V$ ,  $A0$  is toggled from 0V to 3V at a 2kHz rate.

### Digital Interface Levels

The typical digital threshold of both the address lines and the EN pin is 1.6V, with a temperature coefficient of about  $-3\text{mV}/^\circ\text{C}$ . This ensures compatibility with 0.8V to 2.4V TTL-logic swings over the entire temperature range. The digital threshold is relatively independent of the supply voltages, moving from 1.6V typical to 1.5V typical as the power supplies are reduced from  $\pm 15V$  to  $\pm 5V$ . In all cases, the digital threshold is referenced to GND.

The digital inputs can also be driven with CMOS-logic levels swinging from either  $V+$  to  $V-$  or from  $V+$  to GND. The digital input current is just a few nanoamps of leakage at all input voltage levels, with a guaranteed maximum of  $1\mu\text{A}$ . The digital inputs are protected from ESD by a 30V zener diode between the input and  $V+$ , and can be driven  $\pm 4V$  beyond the supplies without drawing excessive current.

### Operation as a Demultiplexer

The MAX378/MAX379 will function as a demultiplexer, where the input is applied to the OUT pin, and the input pins are used as outputs. The MAX378/MAX379 provide both break-before-make action and full fault protection when operated as a demultiplexer, unlike earlier generations of fault-protected multiplexers.

### Channel-to-Channel Crosstalk, Off Isolation, and Digital Feedthrough

At DC and low frequencies, channel-to-channel crosstalk is caused by variations in output leakage cur-

rents as the off-channel input voltages are varied. The MAX378 output leakage varies only a few picoamps as all seven off inputs are toggled from  $-10V$  to  $+10V$ . The output voltage change depends on the impedance level at the MAX378 output, which is  $R_{DS(ON)}$  plus the input signal source resistance in most cases, since the load driven by the MAX378 is usually a high impedance. For a signal source impedance of  $10\text{k}\Omega$  or lower, the DC crosstalk exceeds 120dB.

Table 2 shows typical AC crosstalk and off-isolation performance. Digital feedthrough is masked by the analog charge injection when the output is enabled. When the output is disabled, the digital feedthrough is virtually unmeasurable, since the digital pins are physically isolated from the analog section by the GND and  $V-$  pins. The ground plane formed by these lines is continued onto the MAX378/MAX379 die to provide over 100dB isolation between the digital and analog sections.

**Table 2a. Typical Off-Isolation Rejection Ratio**

| Frequency           | 100kHz | 500kHz | 1MHz |
|---------------------|--------|--------|------|
| One Channel Driven  | 74dB   | 72dB   | 66dB |
| All Channels Driven | 64dB   | 48dB   | 44dB |

Test Conditions:  $V_{IN} = 20V_{P-P}$  at the tabulated frequency,  $R_L = 1.5\text{k}\Omega$  between OUT and GND,  $EN = 0V$ .

$$\text{OIRR} = 20 \text{ Log } \frac{20V_{P-P}}{V_{OUT(P-P)}}$$

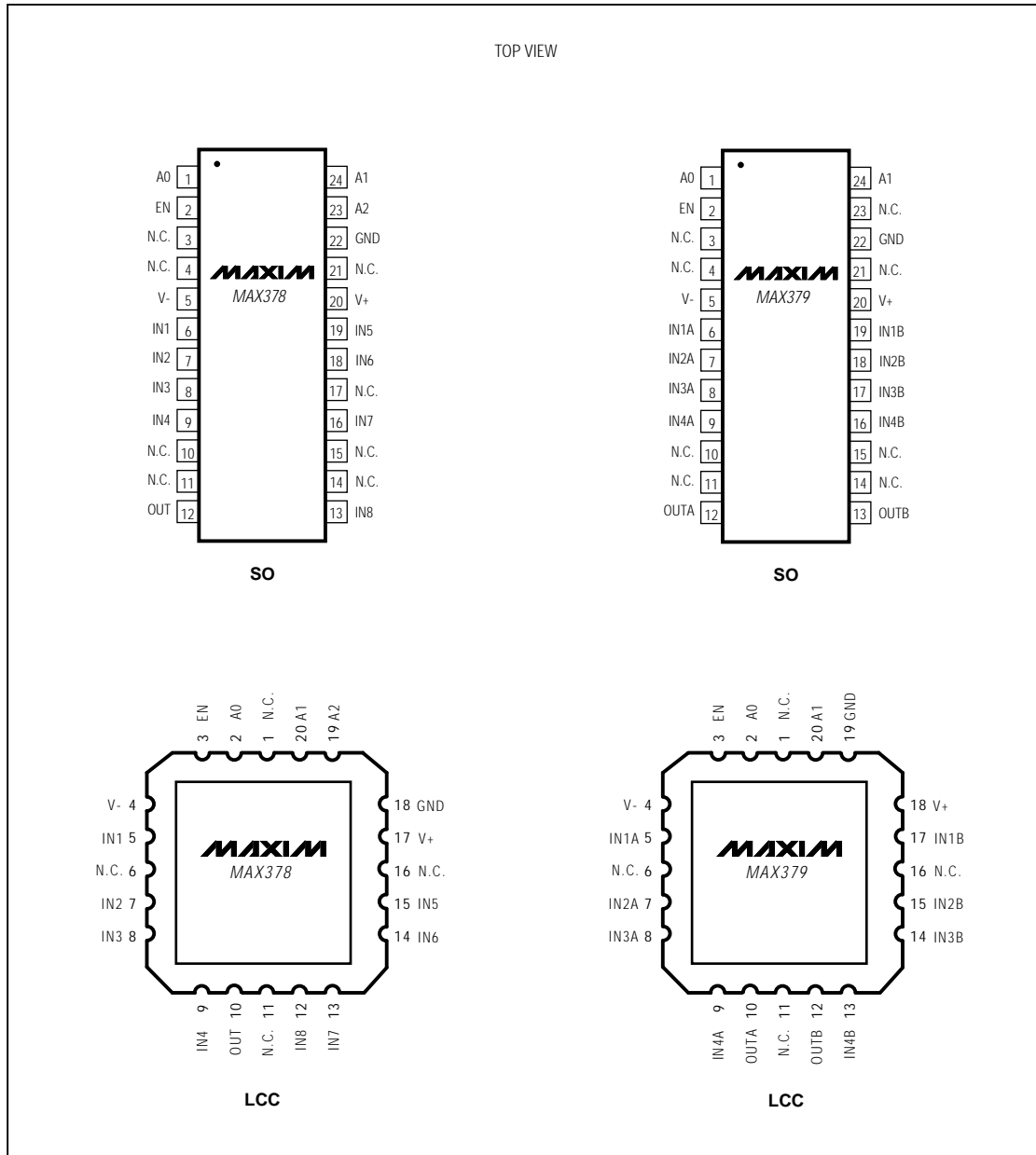
**Table 2b. Typical Crosstalk Rejection Ratio**

| Frequency           | 100kHz | 500kHz | 1MHz |
|---------------------|--------|--------|------|
| $F_L = 1.5\text{k}$ | 70dB   | 68dB   | 64dB |
| $R_L = 10\text{k}$  | 62dB   | 46dB   | 42dB |

Test Conditions: Specified  $R_L$  connected from OUT to GND,  $EN = +5V$ ,  $A0 = A1 = A2 = +5V$  (Channel 1 selected).  $20V_{P-P}$  at the tabulated frequency is applied to Channel 2. All other channels are open circuited. Similar crosstalk rejection can be observed between any two channels.

# High-Voltage, Fault-Protected Analog Multiplexers

Pin Configurations (continued)



# High-Voltage, Fault-Protected Analog Multiplexers

## \_Ordering Information (continued)

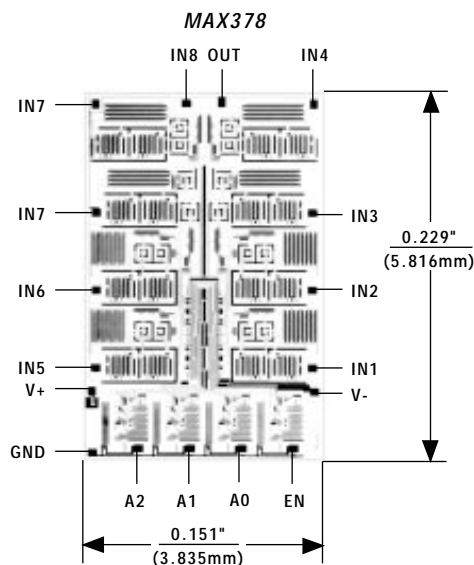
| PART      | TEMP. RANGE     | PIN-PACKAGE    |
|-----------|-----------------|----------------|
| MAX379CPE | 0°C to +70°C    | 16 Plastic DIP |
| MAX379CWG | 0°C to +70°C    | 24 Wide SO     |
| MAX379CJE | 0°C to +70°C    | 16 CERDIP      |
| MAX379C/D | 0°C to +70°C    | Dice**         |
| MAX379EPE | -40°C to +85°C  | 16 Plastic DIP |
| MAX379EWG | -40°C to +85°C  | 24 Wide SO     |
| MAX379EJE | -40°C to +85°C  | 16 CERDIP      |
| MAX379MJE | -55°C to +125°C | 16 CERDIP      |
| MAX379MLP | -55°C to +125°C | 20 LCC*        |

\* Contact factory for availability.

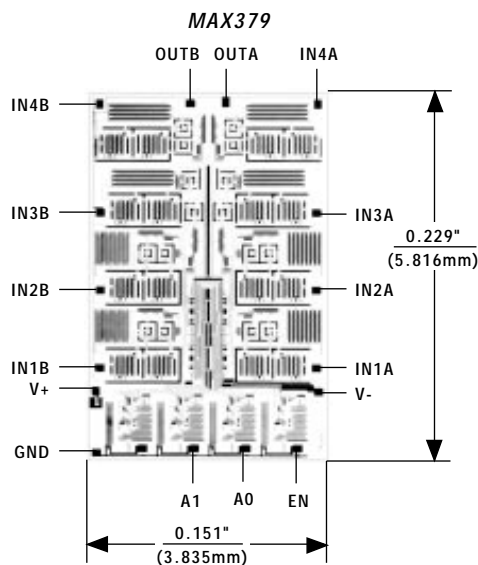
\*\*The substrate may be allowed to float or be tied to V+ (JI CMOS).

## Chip Topographies

MAX378/MAX379



NOTE: Connect substrate to V+ or leave it floating.



NOTE: Connect substrate to V+ or leave it floating.

# High-Voltage, Fault-Protected Analog Multiplexers

## Package Information

| DIM | INCHES |       | MILLIMETERS |       |
|-----|--------|-------|-------------|-------|
|     | MIN    | MAX   | MIN         | MAX   |
| A   | 0.093  | 0.104 | 2.35        | 2.65  |
| A1  | 0.004  | 0.012 | 0.10        | 0.30  |
| B   | 0.014  | 0.019 | 0.35        | 0.49  |
| C   | 0.009  | 0.013 | 0.23        | 0.32  |
| E   | 0.291  | 0.299 | 7.40        | 7.60  |
| e   | 0.050  |       | 1.27        |       |
| H   | 0.394  | 0.419 | 10.00       | 10.65 |
| L   | 0.016  | 0.050 | 0.40        | 1.27  |

| DIM | PINS | INCHES |       | MILLIMETERS |       |
|-----|------|--------|-------|-------------|-------|
|     |      | MIN    | MAX   | MIN         | MAX   |
| D   | 16   | 0.398  | 0.413 | 10.10       | 10.50 |
| D   | 18   | 0.447  | 0.463 | 11.35       | 11.75 |
| D   | 20   | 0.496  | 0.512 | 12.60       | 13.00 |
| D   | 24   | 0.598  | 0.614 | 15.20       | 15.60 |
| D   | 28   | 0.697  | 0.713 | 17.70       | 18.10 |

21-0042A

| DIM            | INCHES    |       | MILLIMETERS |       |
|----------------|-----------|-------|-------------|-------|
|                | MIN       | MAX   | MIN         | MAX   |
| A              | -         | 0.200 | -           | 5.08  |
| A1             | 0.015     | -     | 0.38        | -     |
| A2             | 0.125     | 0.150 | 3.18        | 3.81  |
| A3             | 0.055     | 0.080 | 1.40        | 2.03  |
| B              | 0.016     | 0.022 | 0.41        | 0.56  |
| B1             | 0.050     | 0.065 | 1.27        | 1.65  |
| C              | 0.008     | 0.012 | 0.20        | 0.30  |
| D              | 0.745     | 0.765 | 18.92       | 19.43 |
| D1             | 0.005     | 0.030 | 0.13        | 0.76  |
| E              | 0.300     | 0.325 | 7.62        | 8.26  |
| E1             | 0.240     | 0.280 | 6.10        | 7.11  |
| e              | 0.100 BSC |       | 2.54 BSC    |       |
| e <sub>A</sub> | 0.300 BSC |       | 7.62 BSC    |       |
| e <sub>B</sub> | -         | 0.400 | -           | 10.16 |
| L              | 0.115     | 0.150 | 2.92        | 3.81  |
| α              | 0°        | 15°   | 0°          | 15°   |

21-587A

Maxim cannot assume responsibility for use of any circuitry other than circuitry entirely embodied in a Maxim product. No circuit patent licenses are implied. Maxim reserves the right to change the circuitry and specifications without notice at any time.

12 Maxim Integrated Products, 120 San Gabriel Drive, Sunnyvale, CA 94086 (408) 737-7600



## Стандарт Электрон Связь

Мы молодая и активно развивающаяся компания в области поставок электронных компонентов. Мы поставляем электронные компоненты отечественного и импортного производства напрямую от производителей и с крупнейших складов мира.

Благодаря сотрудничеству с мировыми поставщиками мы осуществляем комплексные и плановые поставки широчайшего спектра электронных компонентов.

Собственная эффективная логистика и склад в обеспечивает надежную поставку продукции в точно указанные сроки по всей России.

Мы осуществляем техническую поддержку нашим клиентам и предпродажную проверку качества продукции. На все поставляемые продукты мы предоставляем гарантию .

Осуществляем поставки продукции под контролем ВП МО РФ на предприятия военно-промышленного комплекса России , а также работаем в рамках 275 ФЗ с открытием отдельных счетов в уполномоченном банке. Система менеджмента качества компании соответствует требованиям ГОСТ ISO 9001.

Минимальные сроки поставки, гибкие цены, неограниченный ассортимент и индивидуальный подход к клиентам являются основой для выстраивания долгосрочного и эффективного сотрудничества с предприятиями радиоэлектронной промышленности, предприятиями ВПК и научно-исследовательскими институтами России.

С нами вы становитесь еще успешнее!

### Наши контакты:

**Телефон:** +7 812 627 14 35

**Электронная почта:** [sales@st-electron.ru](mailto:sales@st-electron.ru)

**Адрес:** 198099, Санкт-Петербург,  
Промышленная ул, дом № 19, литера Н,  
помещение 100-Н Офис 331