

3M™ Moisture Barrier Bag Dri-Shield 2000

Moisture Barrier Bag ~ Aluminized

The 3M Dri-Shield 2000 Moisture Barrier Bag is designed for dry packaging of electronic devices. Dri-Shield 2000 bags are made from multiple layers of metallized polyester and dissipative polyethylene. Bags help protect SMD's from moisture and static damage. Flexible structure is easy to vacuum seal. Coded for QC traceability. These bags are tested to meet or exceed certain electrical and physical requirements of ANSI/ESD S541, EIA 625, and to be ANSI/ESD S20.20 program compliant.



Moisture Barrier Bag with Humidity Indicator Card and Desiccant



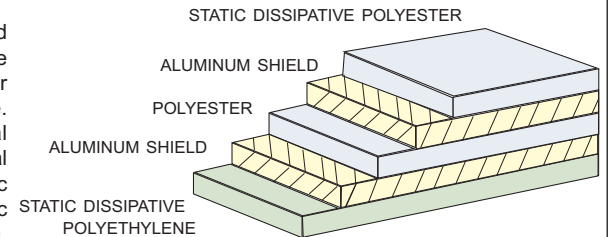
Specifications

Physical Properties:	Typical Values	Test Method*
MVTR	<.02 g/100 sq.in./24 hrs	ASTM F 1249
Puncture Resistance	> 20 lbs	MIL-STD-3010 2065
Thickness	3.6 mils**	MIL-STD-3010 1003
Tensile Strength	8700 PSI	ASTM D882
Seal Strength	>12 lbs	ASTM D882
Heat Sealing Conditions:		
Temperature	300°F - 400°F	
Time	0.6 - 4.5 seconds	
Pressure	30 - 70 PSI	

Electrical Properties:		
Surface Resistivity / Resistance	ASTM D257	or ANSI/ESD STM11.11
Interior	<10 ¹² ohms/square	or <10 ¹¹ ohms
Exterior	<10 ¹² ohms/square	or <10 ¹¹ ohms
Metal	100 ohms	
Static Shielding	< 20 volts	EIA 541
Static Shielding	< 10 nJ	ANSI/ESD STM11.31
EMI Attenuation	45 dB	
Static Decay	< 2 seconds	MIL-STD-3010 4046
Silicone or Amine Content	Not detected	FTIR
	** tolerance +/-15%	

Material Structure

Multiple layers of metallized polyester provide puncture resistance and moisture barrier for this economical dry package. This highly reliable material meets or exceeds commercial MVTR and EMI/RFI/Static Shielding requirements for static safe, moisture barrier packaging.



Important Notice

All statements, technical information, and recommendations related to 3M's products are based on information believed to be reliable, but the accuracy or completeness is not guaranteed. Before using this product, you must evaluate it and determine if it is suitable for your intended application. You assume all risks and liability associated with such use. Any statements related to the product which are not contained in 3M's current publications, or any contrary statements contained on your purchase order shall have no force or effect unless expressly agreed upon, in writing, by an authorized officer of 3M.

Warranty; Limited Remedy; Limited Liability.

This product will be free from defects in material and manufacture for one year from the time of purchase. **3M MAKES NO OTHER WARRANTIES INCLUDING, BUT NOT LIMITED TO, ANY IMPLIED WARRANTY OF MERCHANTABILITY OR FITNESS FOR A PARTICULAR PURPOSE.** If this product is defective within the warranty period stated above, your exclusive remedy shall be, at 3M's option, to replace or repair the 3M product or refund the purchase price of the 3M product. **Except where prohibited by law, 3M will not be liable for any indirect, special, incidental or consequential loss or damage arising from this 3M product, regardless of the legal theory asserted.**

*This product is not on the Qualified Product Listing under the Defense Standardization Program.

See 3M Data Sheets for these related items:

- Humidity Indicator Cards (HIC's)
- Desiccant
- Vacuum Sealers

P R O D U C T D A T A S H E E T

Dri-Shield 2000 Moisture Barrier Bag ALUMINIZED

PRODUCT
MOISTURE BARRIER BAG, ALUMINIZED

ITEM NUMBER
700(W")(L")

DATASHEET
1102-A
98-0799-1075-2

3M Electronic Solutions Division
6801 River Place Blvd
Austin, TX 78726-9000
US and Canada: 866-722-3736
Fax: 866-722-3735
Int'l: 919-718-0000; Fax: 919-774-8174
email: 3Mstaticinfo@mmm.com; www.3Mstatic.com

3M is a trademark of 3M Company.
All other trademarks herein are the property of their respective owners.



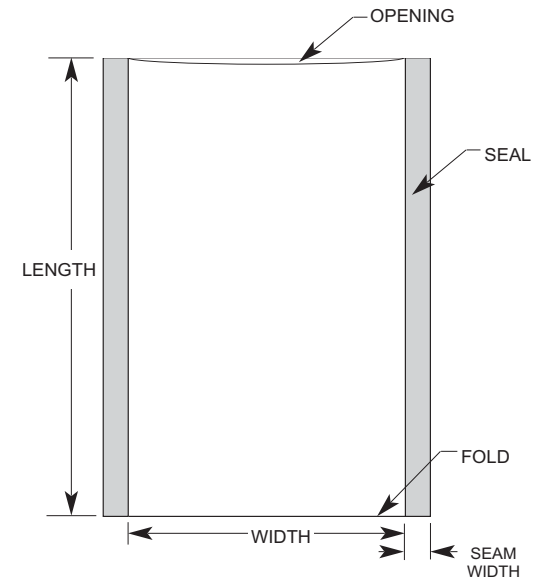
3M™ Moisture Barrier Bag Dri-Shield 2000

Moisture Barrier Bag ~ Aluminized

W"x L"	P/N	W"x L"	P/N	W"x L"	P/N
3 x 5	70035	8 x 10	700810	14 x 30	7001430
4 x 6	70046	8 x 12	700812	15 x 18	7001518
4 x 24	700424	10 x 12	7001012	16 x 18	7001618
5 x 30	700530	10 x 20	7001020	17 x 19	7001719
6 x 8	70068	10 x 24	7001024	18 x 18	7001818
6 x 10	700610	10 x 30	7001030	18 x 24	7001824
6 x 24	700624	12 x 16	7001216		
6 x 30	700630	12 x 18	7001218		

- All standard sizes in-stock/same day shipment.
- Width is measured from inside seam to inside seam.
- Length is measured from the top edge to the bottom fold.
- Opening is in the "width" dimension.
- Custom bag sizes, custom printing, and custom hot stamping are available.
- Most sizes are packed 100 per case.
Small sizes are packed 1000 or 500 per case.

3M Dri-Shield 2000



How Moisture Barrier Bags Work

Moisture barrier bags work by enclosing a device with a metal or plastic shield(s) that has a high resistance to moisture vapor permeation. Dry devices are placed inside this shield, and the moisture-laden air is evacuated. Desiccant filled pouches scavenge the remaining moisture from the bag's interior. Moisture that penetrates the bag is also entrapped by the desiccant. Humidity indicating cards report the effectiveness of the package upon device use. A label on the bag indicates the amount of exposure time devices are allowed prior to use, and the drying (re-baking) time and temperature if the exposure time is exceeded.

As the barrier property improves, the Moisture Vapor Transmission Rate (MVTR) decreases. Bags with lower MVTR provide better barrier. Aluminum foil provides the best MVTR of about 0.0003. Multiple layers of Aluminized Polyester can provide 0.02 to about 0.005.

Puncture Resistance is an important feature for barrier bags. Sharp tray edges may tear through bags with low puncture resistance.

P R O D U C T D A T A S H E E T

Dri-Shield 2000 Moisture Barrier Bag ALUMINIZED

PRODUCT
MOISTURE BARRIER BAG, ALUMINIZED

ITEM NUMBER
700(W")(L")

DATASHEET
1102-A
98-0799-1075-2

3M Electronic Solutions Division
6801 River Place Blvd
Austin, TX 78726-9000
US and Canada: 866-722-3736
Fax: 866-722-3735
Intl: 919-718-0000; Fax: 919-774-8174
email: 3Mstaticinfo@mmm.com; www.3Mstatic.com

3M is a trademark of 3M Company.
All other trademarks herein are the property
of their respective owners.

© 3M 2012. All rights reserved.





Стандарт Электрон Связь

Мы молодая и активно развивающаяся компания в области поставок электронных компонентов. Мы поставляем электронные компоненты отечественного и импортного производства напрямую от производителей и с крупнейших складов мира.

Благодаря сотрудничеству с мировыми поставщиками мы осуществляем комплексные и плановые поставки широчайшего спектра электронных компонентов.

Собственная эффективная логистика и склад в обеспечивает надежную поставку продукции в точно указанные сроки по всей России.

Мы осуществляем техническую поддержку нашим клиентам и предпродажную проверку качества продукции. На все поставляемые продукты мы предоставляем гарантию .

Осуществляем поставки продукции под контролем ВП МО РФ на предприятия военно-промышленного комплекса России , а также работаем в рамках 275 ФЗ с открытием отдельных счетов в уполномоченном банке. Система менеджмента качества компании соответствует требованиям ГОСТ ISO 9001.

Минимальные сроки поставки, гибкие цены, неограниченный ассортимент и индивидуальный подход к клиентам являются основой для выстраивания долгосрочного и эффективного сотрудничества с предприятиями радиоэлектронной промышленности, предприятиями ВПК и научно-исследовательскими институтами России.

С нами вы становитесь еще успешнее!

Наши контакты:

Телефон: +7 812 627 14 35

Электронная почта: sales@st-electron.ru

Адрес: 198099, Санкт-Петербург,
Промышленная ул, дом № 19, литера Н,
помещение 100-Н Офис 331