



PRELIMINARY DATA SHEET

# SKY66005-11: 850 to 920 MHz, +19 dBm Linear Power Amplifier

## Applications

- Residential femtocells
- WCDMA, Bands V, VI, XVIII, XIX, XXVI
- Small cells

## Features

- Small signal gain: 29 dB
- ACLR at P<sub>OUT</sub> = +29 dBm: -51 dBc
- PA on/off control
- I/O impedance internally matched to 50 Ω
- Single DC supply: 3.3 V to 4.6 V
- Minimal number of external components required
- Small footprint MCM (10-pin, 3 x 3 mm) package (MSL3, 260 °C per JEDEC J-STD-020)



Skyworks Green™ products are compliant with all applicable legislation and are halogen-free. For additional information, refer to *Skyworks Definition of Green™*, document number SQ04-0074.

## Description

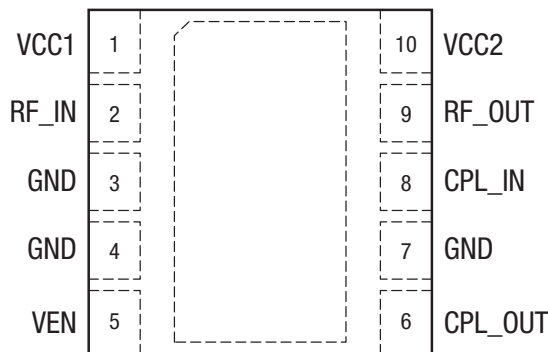
The SKY66005-11 linear Power Amplifier (PA) is a fully matched surface mount module developed for WCDMA applications operating from 850 to 920 MHz. The device meets the stringent spectral linearity requirements of WCDMA femtocell applications with high power-added efficiency. An integrated directional coupler eliminates the need for any external coupler.

The GaAs MMIC contains all active amplifier circuitry, which includes input and interstage matching circuits. An output match into a 50 Ω load, realized off-chip within the module package, optimizes efficiency and power performance.

The SKY66005-11 is manufactured with Skyworks InGaP GaAs HBT process, which provides for all positive voltage DC supply operation and maintains high efficiency and good linearity. The primary bias to the device can be supplied directly from any suitable power supply with an output of 4.2 V. Power down is achieved by setting the VEN pin to 0 V. No external supply side switch is needed since typical “off” leakage is a few microamps with full primary voltage supplied from the main power supply.

The SKY66005-11 is packaged in a 10-pin, 3 x 3 mm Multi-Chip Module (MCM), which allows for a highly manufacturable low-cost solution.

The 10-pin MCM package and pinout are shown in Figure 1. A functional block diagram of the SKY66005-11 is shown in Figure 2. Signal pin assignments and functional pin descriptions are provided in Table 1.



S2992

Figure 1. SKY66005-11 Pinout – 10-Pin MCM (Top View)

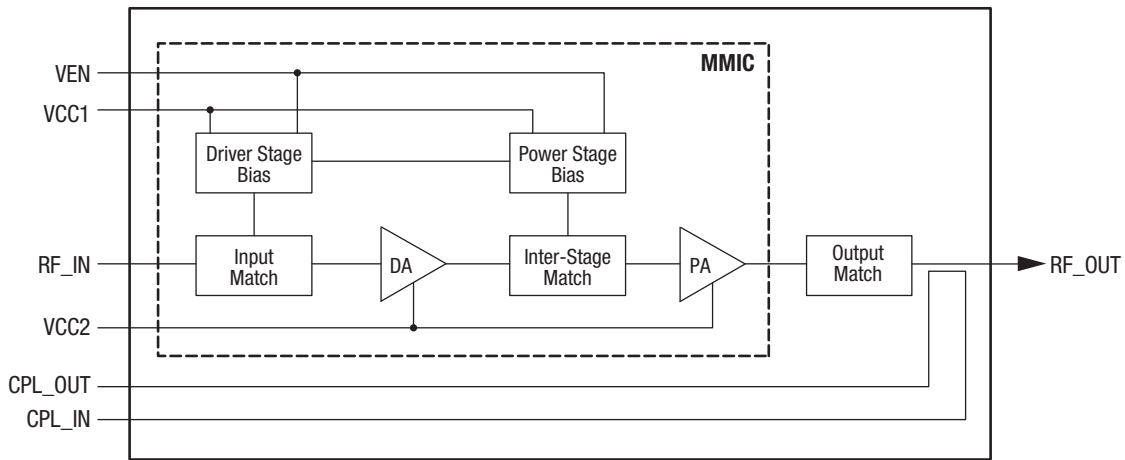


Figure 2. SKY66005-11 Linear PA Block Diagram

Table 1. SKY66005-11 Signal Descriptions

| Pin # | Name  | Description                | Pin # | Name    | Description                 |
|-------|-------|----------------------------|-------|---------|-----------------------------|
| 1     | VCC1  | Input stage supply voltage | 6     | CPL_OUT | RF coupler output           |
| 2     | RF_IN | RF input port              | 7     | GND     | Ground                      |
| 3     | GND   | Ground                     | 8     | CPL_IN  | RF coupler input            |
| 4     | GND   | Ground                     | 9     | RF_OUT  | RF output port              |
| 5     | VEN   | Enable                     | 10    | VCC2    | Output stage supply voltage |

### Technical Description

The SKY66005-11 PA contains all of the needed RF matching and DC biasing circuits. The device is a two-stage, HBT InGaP device optimized for high linearity and power efficiency. These features make the device suitable for wideband digital applications where PA linearity and power consumption are of critical importance (e.g., small cell and infrastructure applications).

The device is designed for standard WCDMA modulated signals. Under these stringent test conditions, the device exhibits excellent spectral purity and power efficiency.

### Electrical and Mechanical Specifications

The absolute maximum ratings of the SKY66005-11 are provided in Table 2. The recommended operating conditions are specified in Table 3 and electrical specifications are provided in Table 4.

A typical performance plot of ACLR5 versus output power is shown in Figure 3.

**Table 2. SKY66005-11 Absolute Maximum Ratings (Note 1)**

| Parameter                           | Symbol        | Minimum | Maximum | Units |
|-------------------------------------|---------------|---------|---------|-------|
| Supply voltage (VCC1, VCC2)         | Vcc           | 0       | +4.6    | V     |
| Total supply current                | Icc           |         | 700     | mA    |
| Logic control input voltage (VEN)   | VCTL          | -0.5    | 3.1     | V     |
| Case operating temperature (Note 2) | Tc            | -40     | +85     | °C    |
| Storage temperature                 | TSTG          | -55     | +150    | °C    |
| Junction temperature                | TJ            |         | +150    | °C    |
| Thermal resistance                  | $\Theta_{JC}$ |         | 60      | °C/W  |
| Electrostatic discharge:            | ESD           |         |         |       |
| Charged Device Model (CDM), Class 3 |               |         | 1000    | V     |
| Human Body Model (HBM), Class 1C    |               |         | 1000    | V     |
| Machine Model (MM), Class A         |               |         | 50      | V     |

**Note 1:** Exposure to maximum rating conditions for extended periods may reduce device reliability. There is no damage to device with only one parameter set at the limit and all other parameters set at or below their nominal value. Exceeding any of the limits listed here may result in permanent damage to the device.

**Note 2:** Case operating temperature (Tc) refers to the temperature of the bottom ground pad.

---

**CAUTION:** Although this device is designed to be as robust as possible, Electrostatic Discharge (ESD) can damage this device. This device must be protected at all times from ESD. Static charges may easily produce potentials of several kilovolts on the human body or equipment, which can discharge without detection. Industry-standard ESD precautions should be used at all times.

---

**Table 3. SKY66005-11 Recommended Operating Conditions**

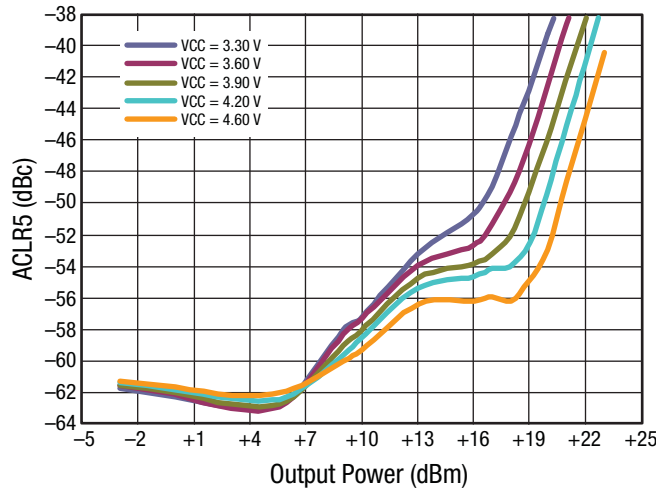
| Parameter                            | Symbol          | Minimum | Typical | Maximum | Units |
|--------------------------------------|-----------------|---------|---------|---------|-------|
| Frequency range                      | f               | 869     |         | 897     | MHz   |
| Supply voltage (VCC1, VCC2) (Note 1) | Vcc             | 4.0     | 4.2     | 4.6     | V     |
| Logic control input voltage:         |                 |         |         |         |       |
| Logic high                           | V <sub>IH</sub> | 1.35    | 1.80    | 3.10    | V     |
| Logic low                            | V <sub>IL</sub> | 0       |         | 0.5     | V     |
| PA enable current                    | I <sub>EN</sub> |         |         | <1      | mA    |
| Case operating temperature           | Tc              | -20     | +25     | +85     | °C    |

**Note 1:** Voltage levels measured at the pads of the package. The Evaluation Board supply voltage levels may be different. Refer to the Evaluation Board schematic diagram in this Data Sheet.

**Table 4. SKY66005-11 Electrical Specifications (Note 1)**  
**(VCC1 = VCC2 = +4.2 V, Tc = +25 °C, f = 883 MHz, Characteristic Impedance [Zo] = 50 Ω, VEN = “1,” Unless Otherwise Noted)**

| Parameter                                    | Symbol        | Test Condition  | Min | Typical    | Max        | Units      |
|--|---------------|---|-----|------------|------------|------------|
| Small signal gain                            | IS211         | CW, PIN = -20 dBm   | 28  | 29         |            | dB         |
| Input return loss                            | IS111         | CW, PIN = -20 dBm   | 20  | 25         |            | dB         |
| Quiescent current                            | ICQ           | No RF   |     | 46         | 55         | mA         |
| Operating current                            | ICC           | CW, POUT = +19 dBm  |     | 115        | 125        | mA         |
| Power-down current                           | IPD           | VEN = “0”   |     | 0.5        | 1          | μA         |
| Adjacent Channel Leakage Ratio               | ACLR5         | @5 MHz offset, WCDMA test model 1, with 64 DPCH, POUT = +19 dBm |     | -51        | -45        | dBc        |
| Error Vector Magnitude                       | EVM           | POUT = +19 dBm  |     | 1.5        | 2          | %          |
| Harmonic suppression                         | 2fo<br>3fo    | CW, POUT = +19 dBm  |     | -43<br>-63 | -38<br>-60 | dBc<br>dBc |
| 3 <sup>rd</sup> Order Output Intercept Point | OIP3          | +19 dBm/tone, frequency separation = 5 MHz                      | +36 | +40        |            | dBm        |
| Stability (non-harmonic spurious)            | VSWRSTABILITY | VSWR = 3:1 @ POUT = +19 dBm                                     |     | -63        |            | dBc        |
| Maximum ruggedness input power               | PIN_RUG       | VSWR = 6:1  |     | -7         |            | dBm        |

**Note 1:** Performance is guaranteed only under the conditions listed in this Table. Both pins 6 and 8 (CPL\_OUT and CPL\_IN, respectively) should be terminated with 50 Ω.



**Figure 3. ACLR5 vs Output Power Over Voltage**

### Evaluation Board Description

The SKY66005-11 Evaluation Board is used to test the performance of the SKY66005-11 PA. A schematic diagram of the Evaluation Board is shown in Figure 4. An assembly drawing for the Evaluation Board is shown in Figure 5 and the layer detail is provided in Figure 6.

### Package Dimensions

The PCB layout footprint for the SKY66005-11 is provided in Figure 7. Typical case markings are shown in Figure 8. Figure 9 shows the package dimensions for the 10-pin MCM, and Figure 10 provides the tape and reel dimensions.

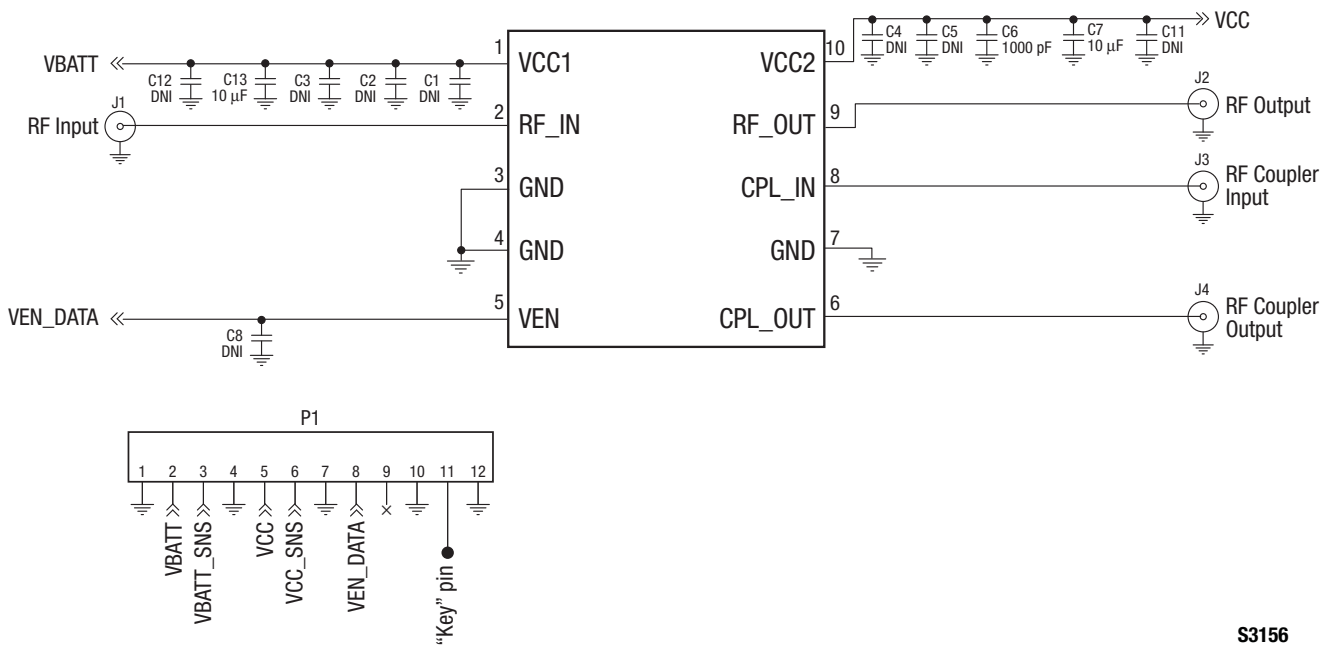
### Package and Handling Information

Since the device package is sensitive to moisture absorption, it is baked and vacuum packed before shipping. Instructions on the

shipping container label regarding exposure to moisture after the container seal is broken must be followed. Otherwise, problems related to moisture absorption may occur when the part is subjected to high temperature during solder assembly.

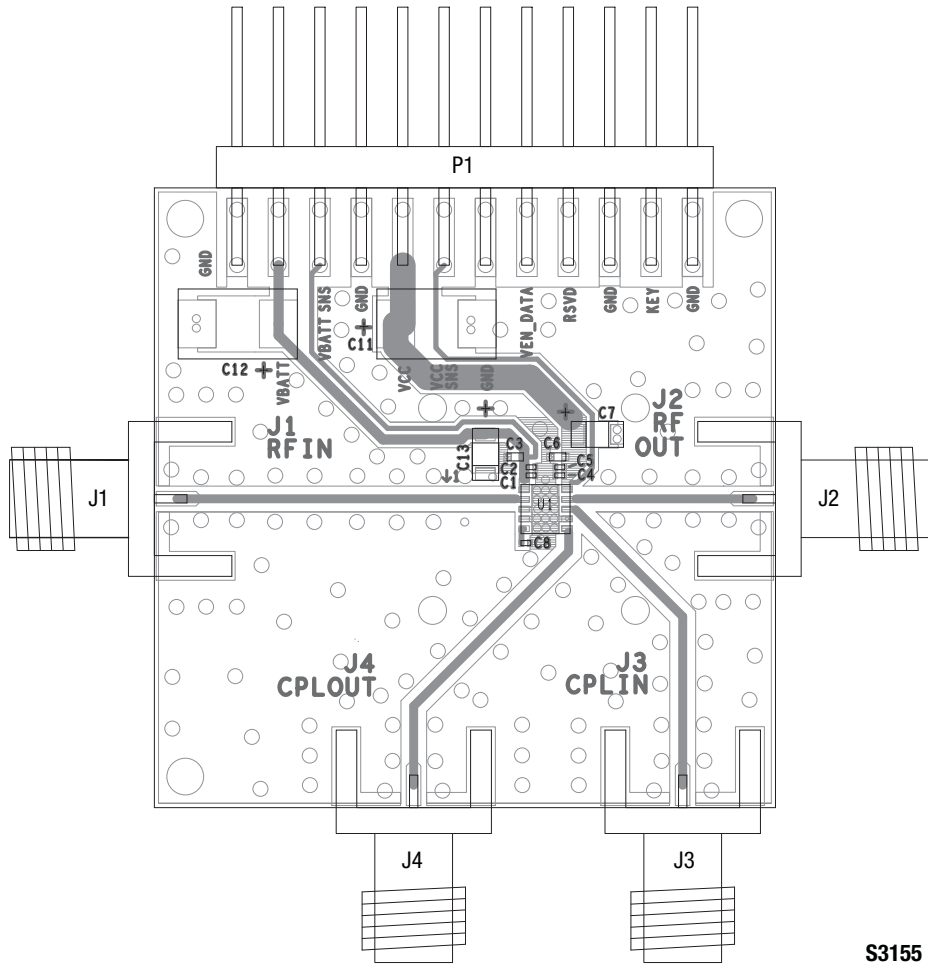
The SKY66005-11 is rated to Moisture Sensitivity Level 3 (MSL3) at 260 °C. It can be used for lead or lead-free soldering. For additional information, refer to the Skyworks Application Note, *PCB Design and SMT Assembly/Rework Guidelines for MCM-L Packages*, document number 101752.

Care must be taken when attaching this product, whether it is done manually or in a production solder reflow environment. Production quantities of this product are shipped in a standard tape and reel format.



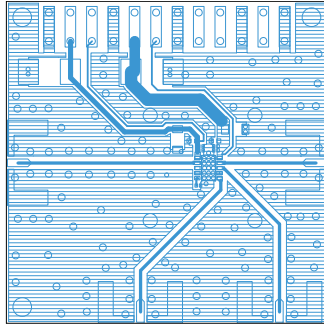
S3156

Figure 4. SKY66005-11 Evaluation Board Schematic

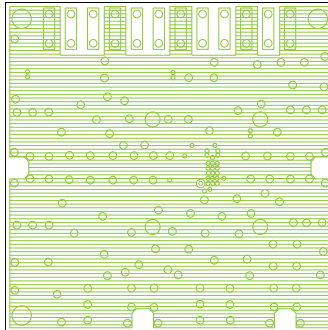


S3155

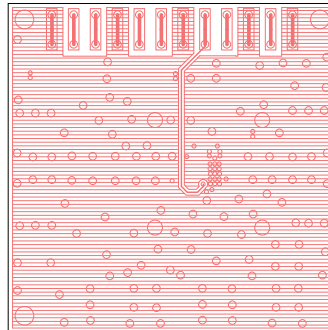
Figure 5. SKY66005-11 Evaluation Board Assembly Diagram



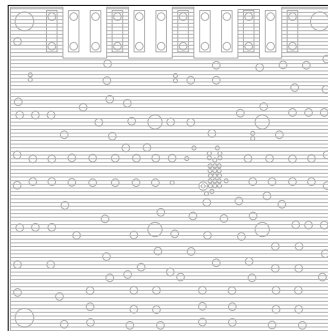
Layer 1: Top Metal



Layer 2: Ground



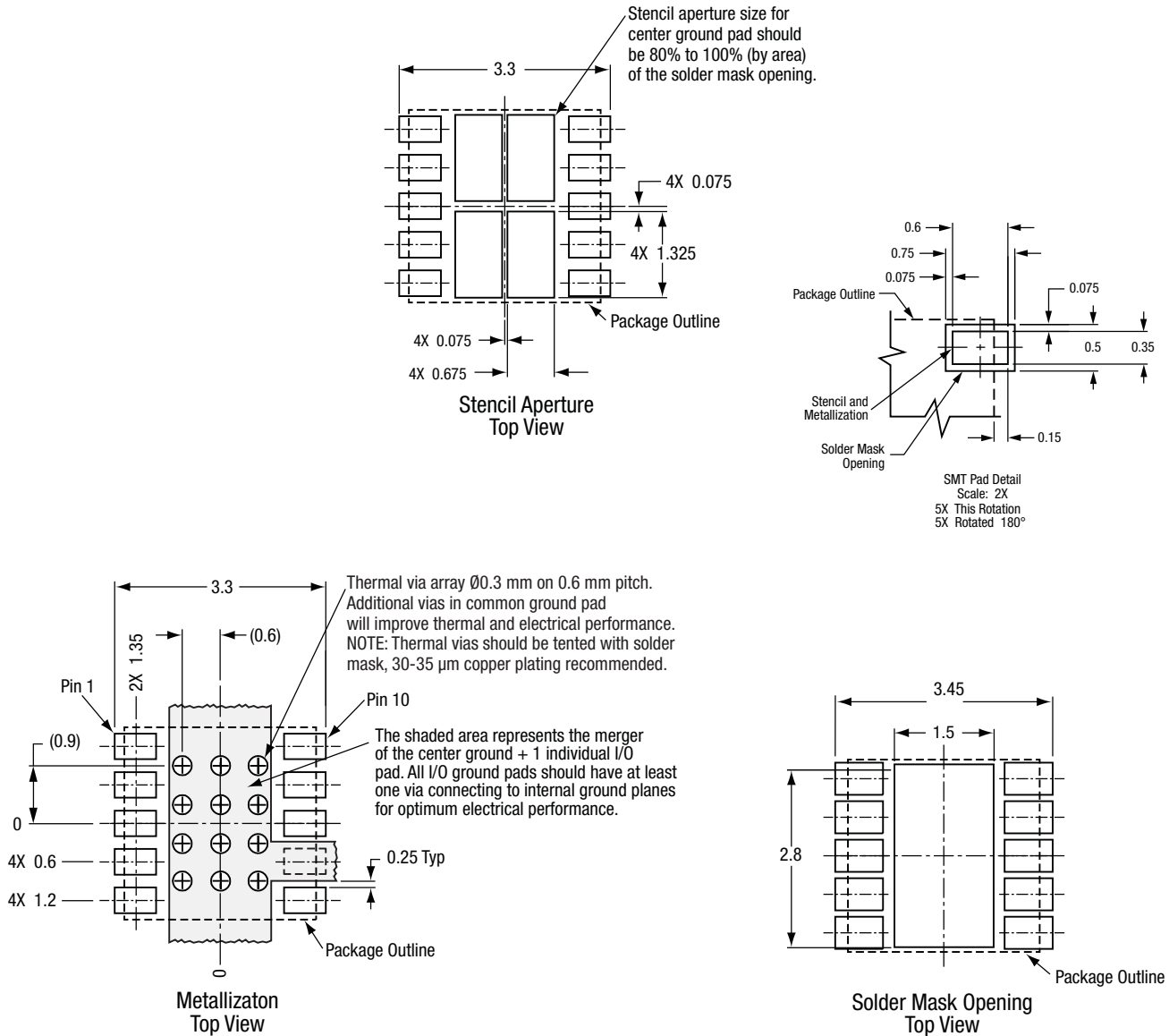
Layer 3: Ground



Layer 4: Bottom (Ground) Layer

S3157

**Figure 6. SKY66005-11 Evaluation Board Layer Detail**

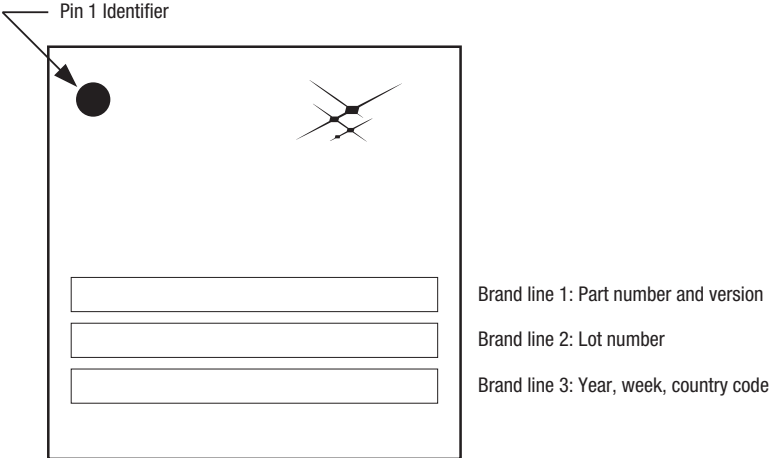


All dimensions are in millimeters

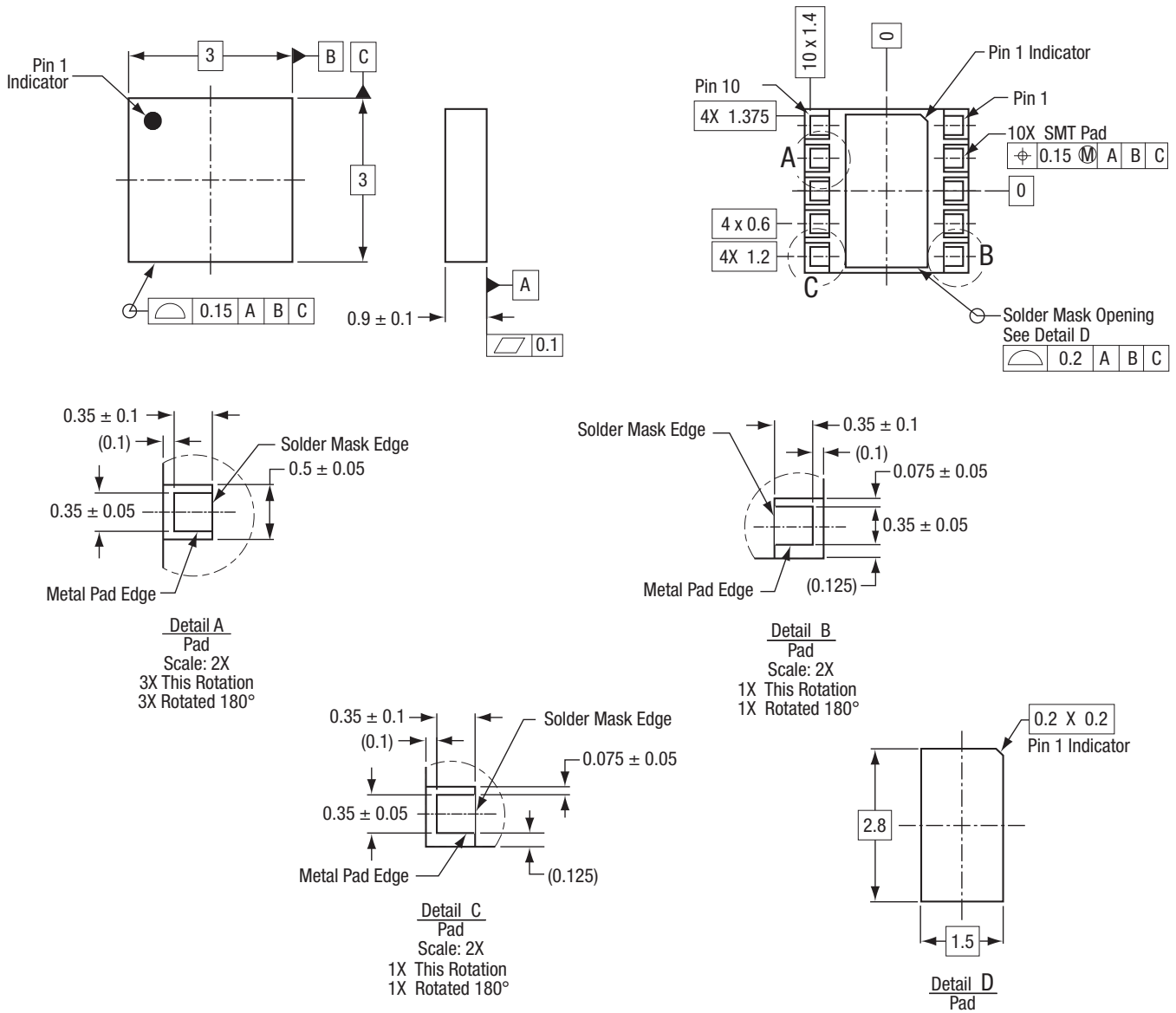
S2995

Figure 7. PCB Layout Footprint for the SKY66005-11 3 x 3 mm MCM





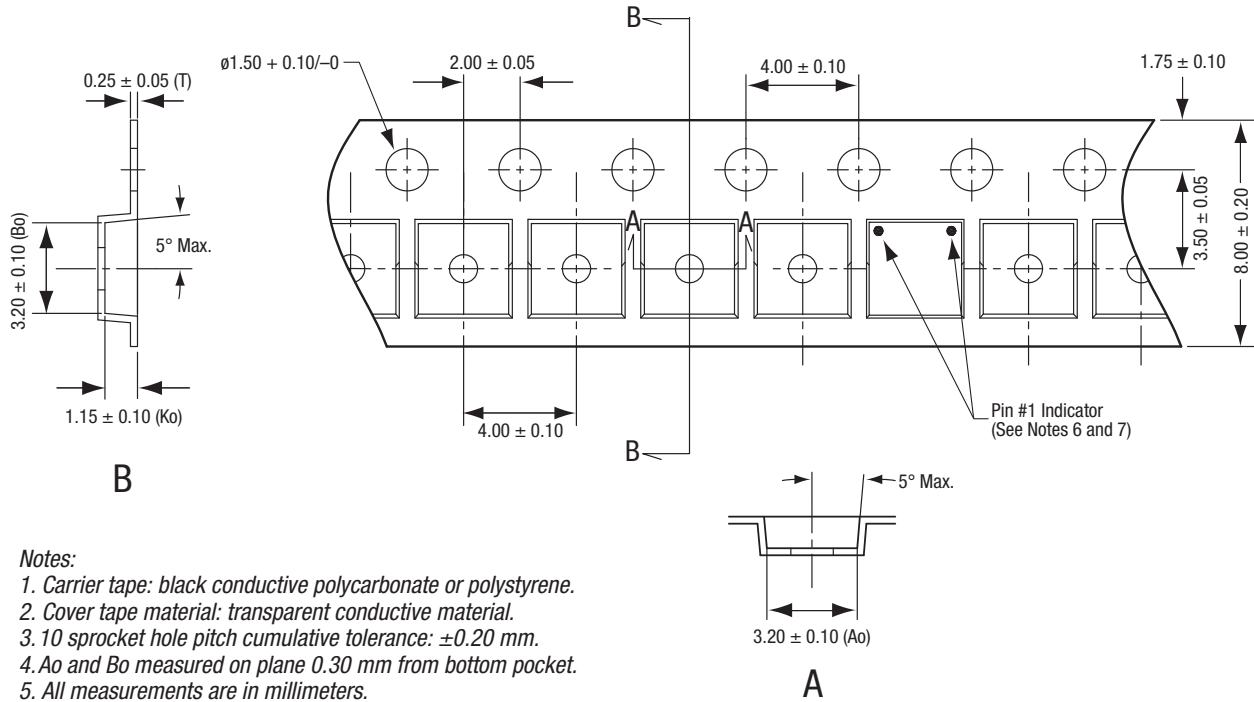
**Figure 8. Typical Case Markings (Top View)**



Dimensioning and Tolerancing in accordance with ASME Y14.5M-1994  
All dimensions are in millimeters.

S2991

Figure 9. SKY66005-11 10-Pin MCM Package Dimensions



- Notes:
1. Carrier tape: black conductive polycarbonate or polystyrene.
  2. Cover tape material: transparent conductive material.
  3. 10 sprocket hole pitch cumulative tolerance:  $\pm 0.20$  mm.
  4.  $A_o$  and  $B_o$  measured on plane 0.30 mm from bottom pocket.
  5. All measurements are in millimeters.
  6. Pin 1 orientation is in top left corner for the following 3 x 3 mm products:  
 SKY13420  
 SKY13435  
 SKY77729
  7. Pin 1 orientation is in top right for all other 3 x 3 mm MCMs and RFLGA products.

S3581

Figure 10. SKY66005-11 Tape and Reel Dimensions

## Ordering Information

| Model Name            | Manufacturing Part Number | Evaluation Board Part Number |
|-----------------------|---------------------------|------------------------------|
| SKY66005-11 Linear PA | SKY66005-11               | EN40-D605                    |

Copyright © 2012-2013 Skyworks Solutions, Inc. All Rights Reserved.

Information in this document is provided in connection with Skyworks Solutions, Inc. (“Skyworks”) products or services. These materials, including the information contained herein, are provided by Skyworks as a service to its customers and may be used for informational purposes only by the customer. Skyworks assumes no responsibility for errors or omissions in these materials or the information contained herein. Skyworks may change its documentation, products, services, specifications or product descriptions at any time, without notice. Skyworks makes no commitment to update the materials or information and shall have no responsibility whatsoever for conflicts, incompatibilities, or other difficulties arising from any future changes.

No license, whether express, implied, by estoppel or otherwise, is granted to any intellectual property rights by this document. Skyworks assumes no liability for any materials, products or information provided hereunder, including the sale, distribution, reproduction or use of Skyworks products, information or materials, except as may be provided in Skyworks Terms and Conditions of Sale.

THE MATERIALS, PRODUCTS AND INFORMATION ARE PROVIDED “AS IS” WITHOUT WARRANTY OF ANY KIND, WHETHER EXPRESS, IMPLIED, STATUTORY, OR OTHERWISE, INCLUDING FITNESS FOR A PARTICULAR PURPOSE OR USE, MERCHANTABILITY, PERFORMANCE, QUALITY OR NON-INFRINGEMENT OF ANY INTELLECTUAL PROPERTY RIGHT; ALL SUCH WARRANTIES ARE HEREBY EXPRESSLY DISCLAIMED. SKYWORKS DOES NOT WARRANT THE ACCURACY OR COMPLETENESS OF THE INFORMATION, TEXT, GRAPHICS OR OTHER ITEMS CONTAINED WITHIN THESE MATERIALS. SKYWORKS SHALL NOT BE LIABLE FOR ANY DAMAGES, INCLUDING BUT NOT LIMITED TO ANY SPECIAL, INDIRECT, INCIDENTAL, STATUTORY, OR CONSEQUENTIAL DAMAGES, INCLUDING WITHOUT LIMITATION, LOST REVENUES OR LOST PROFITS THAT MAY RESULT FROM THE USE OF THE MATERIALS OR INFORMATION, WHETHER OR NOT THE RECIPIENT OF MATERIALS HAS BEEN ADVISED OF THE POSSIBILITY OF SUCH DAMAGE.

Skyworks products are not intended for use in medical, lifesaving or life-sustaining applications, or other equipment in which the failure of the Skyworks products could lead to personal injury, death, physical or environmental damage. Skyworks customers using or selling Skyworks products for use in such applications do so at their own risk and agree to fully indemnify Skyworks for any damages resulting from such improper use or sale.

Customers are responsible for their products and applications using Skyworks products, which may deviate from published specifications as a result of design defects, errors, or operation of products outside of published parameters or design specifications. Customers should include design and operating safeguards to minimize these and other risks. Skyworks assumes no liability for applications assistance, customer product design, or damage to any equipment resulting from the use of Skyworks products outside of stated published specifications or parameters.

Skyworks, the Skyworks symbol, Helios, and “Breakthrough Simplicity” are trademarks or registered trademarks of Skyworks Solutions, Inc., in the United States and other countries. Third-party brands and names are for identification purposes only, and are the property of their respective owners. Additional information, including relevant terms and conditions, posted at [www.skyworksinc.com](http://www.skyworksinc.com), are incorporated by reference.



## Стандарт Электрон Связь

Мы молодая и активно развивающаяся компания в области поставок электронных компонентов. Мы поставляем электронные компоненты отечественного и импортного производства напрямую от производителей и с крупнейших складов мира.

Благодаря сотрудничеству с мировыми поставщиками мы осуществляем комплексные и плановые поставки широчайшего спектра электронных компонентов.

Собственная эффективная логистика и склад в обеспечивает надежную поставку продукции в точно указанные сроки по всей России.

Мы осуществляем техническую поддержку нашим клиентам и предпродажную проверку качества продукции. На все поставляемые продукты мы предоставляем гарантию .

Осуществляем поставки продукции под контролем ВП МО РФ на предприятия военно-промышленного комплекса России , а также работаем в рамках 275 ФЗ с открытием отдельных счетов в уполномоченном банке. Система менеджмента качества компании соответствует требованиям ГОСТ ISO 9001.

Минимальные сроки поставки, гибкие цены, неограниченный ассортимент и индивидуальный подход к клиентам являются основой для выстраивания долгосрочного и эффективного сотрудничества с предприятиями радиоэлектронной промышленности, предприятиями ВПК и научно-исследовательскими институтами России.

С нами вы становитесь еще успешнее!

### Наши контакты:

**Телефон:** +7 812 627 14 35

**Электронная почта:** [sales@st-electron.ru](mailto:sales@st-electron.ru)

**Адрес:** 198099, Санкт-Петербург,  
Промышленная ул, дом № 19, литера Н,  
помещение 100-Н Офис 331